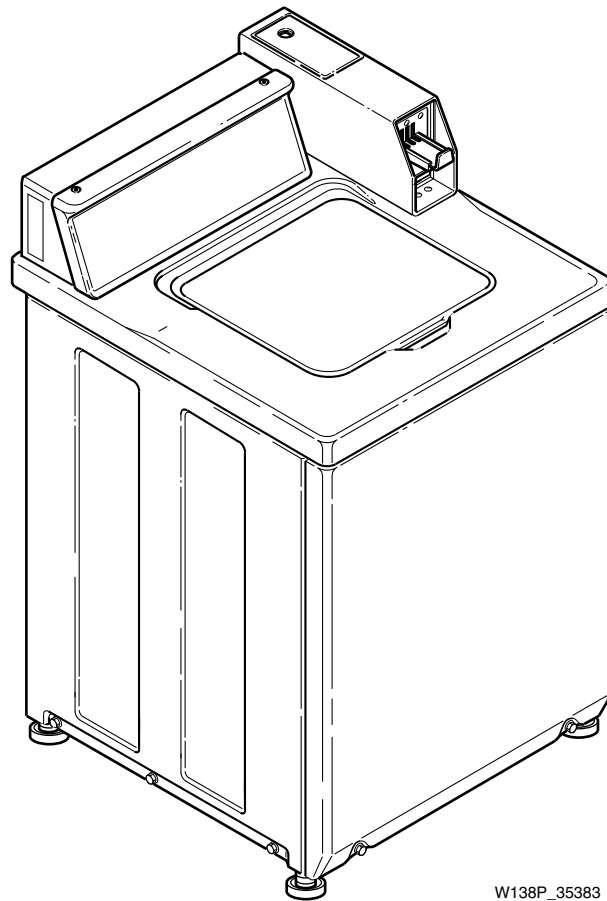


Automatic Washers

Refer to Page 3 for Model Numbers



W138P_35383

Table of Contents

Title	Page
Parts Ordering Information.....	2
Nameplate Location	2
Model Identification	3
Timer, Case and Plate	4
Timer, Meter Case and Service Door	6
Timer, Meter Case and Service Door	8
552P3 Coin Slide Start Security Kit	10
Coin Drop, Meter Case and Service Door	12
Control Panel, Control Hood and Controls.....	14
Control Panel, Control Hood and Controls.....	16
Control Panel, Control Hood and Controls.....	18
Control Panel, Control Hood and Controls.....	20
Cabinet Top and Loading Door	22
Out-of-Balance Switch	24
Motor, Mounting Bracket, Belts and Idler Assembly	26
Inlet Hose, Fill Hose and Mixing Valve and Mounting Bracket.....	28
Agitator, Drive Bell, Seal Kit, Washtub and Hub	30
Outer Tub, Cover and Pressure Hose	32
Pump Assembly, Bracket, Hoses and Siphon Break Kit.....	34
Bearing Housing, Brake, Pulley and Pivot Dome.....	36
Transmission Assembly and Balance Ring.....	38
Transmission Assembly	40
Front Panel, Base Assembly and Cabinet Assembly.....	42
Mixing Valve and Motor Disconnect Blocks, Terminals and Terminal Extractor Tool	44
Power Cord and Terminals	46
Special Tools	48
Special Tools	50
Wire Harnesses and Wires	52
Parts Index.....	53

© Copyright 2003, Alliance Laundry Systems LLC

All rights reserved. No part of the contents of this book may be reproduced or transmitted in any form or by any means without the expressed written consent of the publisher.

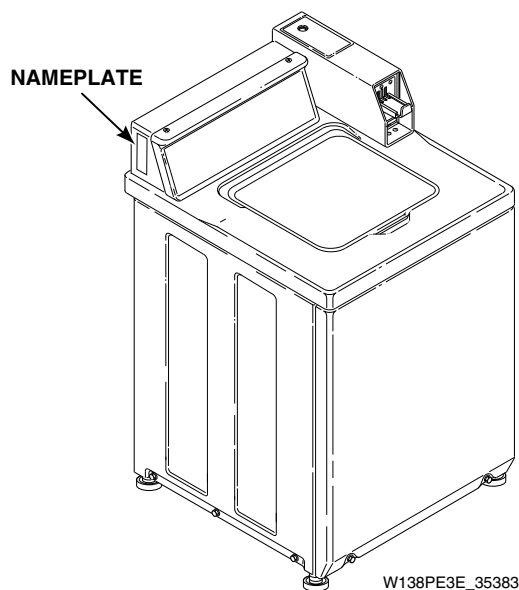
Parts Ordering Information

If literature or replacement parts are required, contact the source from whom the machine was purchased or contact Alliance Laundry Systems at (920) 748-3950 for the name and address of the nearest authorized parts distributor.

For technical assistance, call (920) 748-3121.

Nameplate Location

When calling or writing about your product, be sure to mention model and serial numbers. Model and serial numbers are located on nameplate(s) as shown.



Model Identification

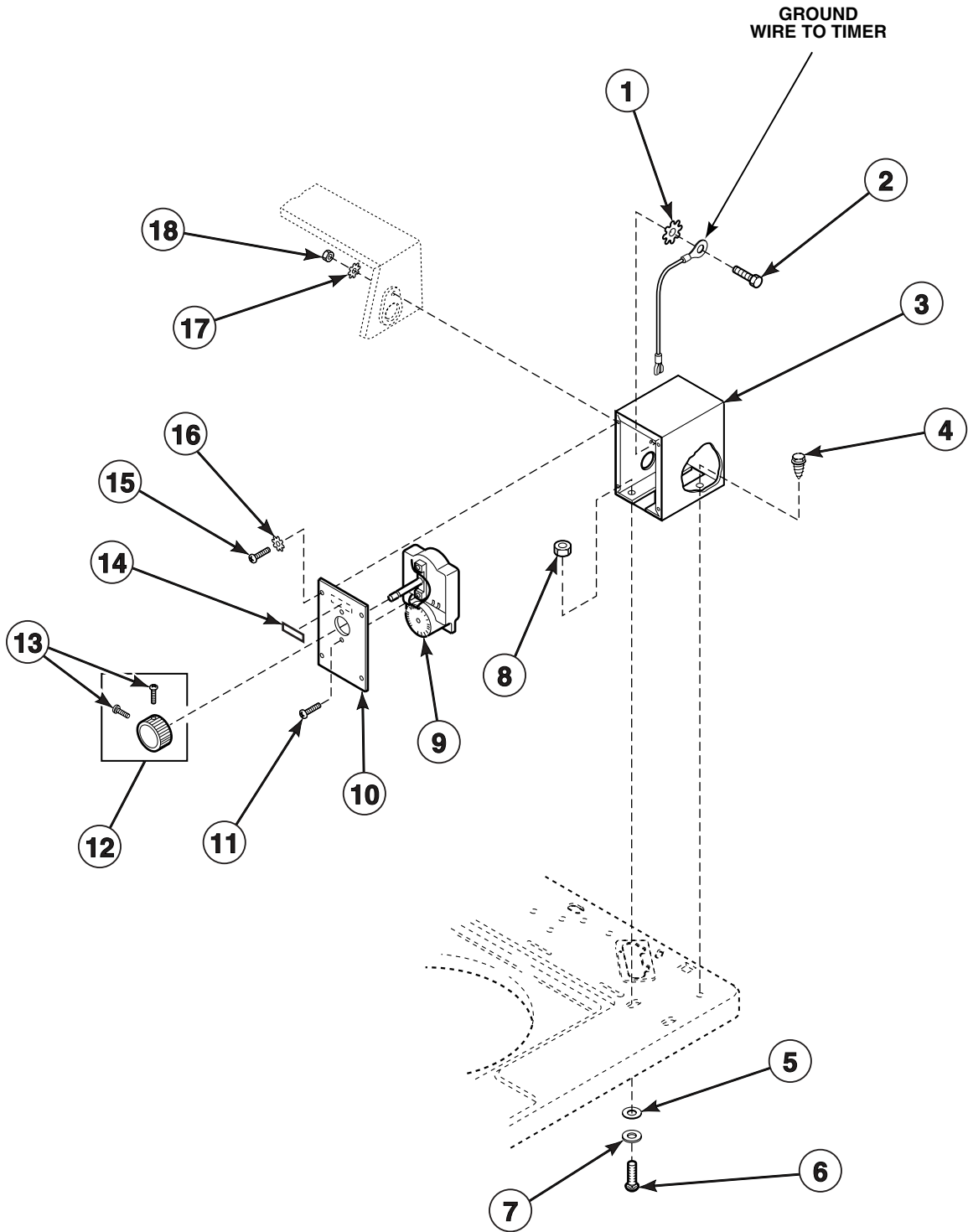
Information in this manual is applicable to these washer models:

EA2011*	EA2120*	EA2311*	EA2621*	EA2920*
EA2020*	EA2121*	EA2520*	EA2710*	EA2921*
EA2021*	EA2210*	EA2521*	EA2721*	JA0110*T
EA2110*	EA2220*	EA2610*	EA2820*	
EA2111*	EA2221*	EA2620*	EA2821*	

* Add Letter To Designate Color. L - Almond W - White

Timer, Case and Plate

Models EA2011*, EA2020* and EA2021*



W116PZ3D_35383

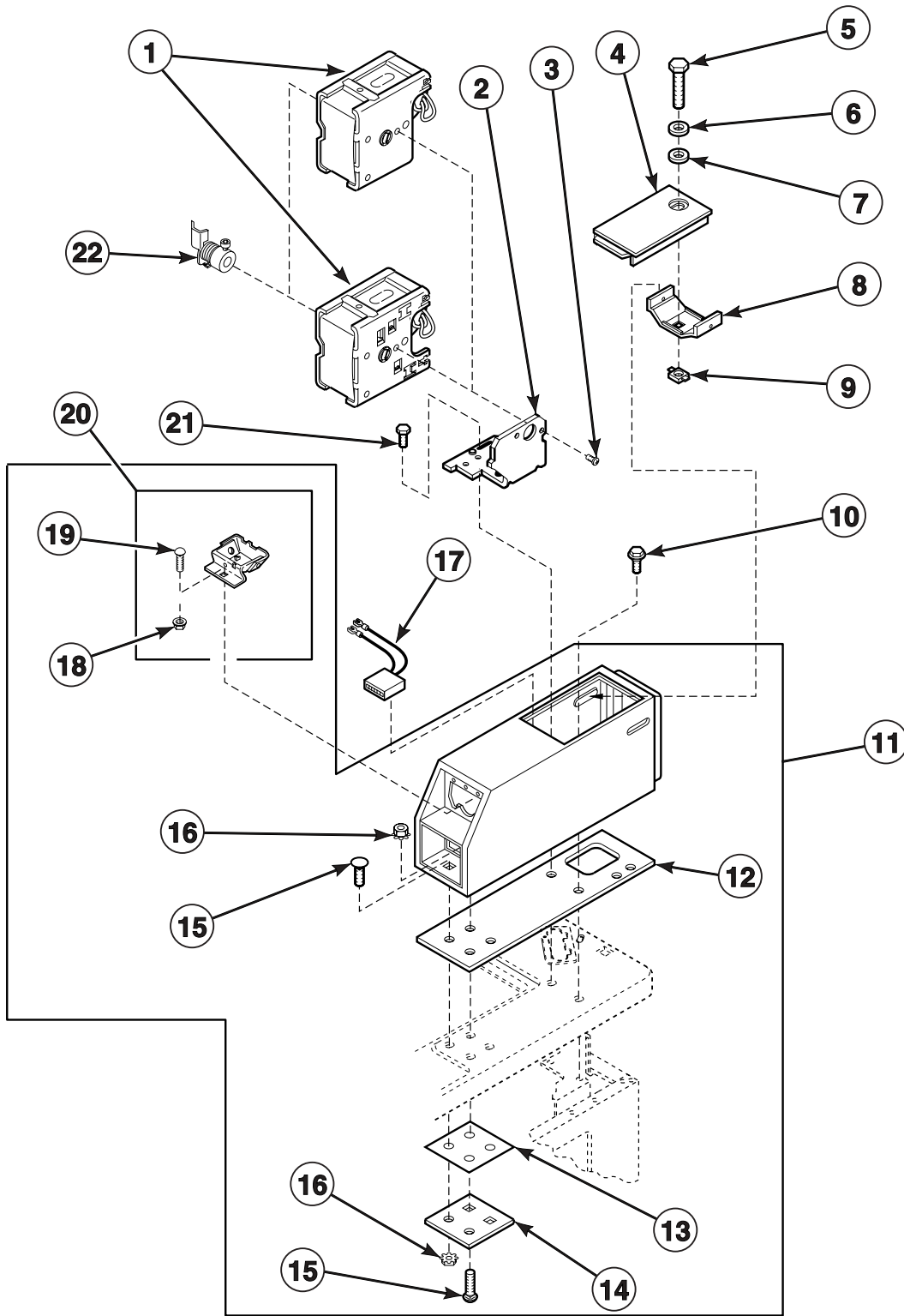
Timer, Case and Plate

REF	PART NO.	DESCRIPTION	COMMENTS
1	M400017	Lockwasher	
2	02916	Cap Screw	
3	37733*	Timer Case	
4	23962	Screw	
5	23225	Washer	Vinyl
6	02505	Carriage Bolt	
7	30627	Washer	
8	29786	Locknut	
9	28716	Timer Assembly	
10	31864W	Timer Plate	
11	27328	Screw	
12	26256	Timer Knob Assembly	
13	80399	Screw	
14	53738	Push-to-Start Sticker	
15	51778	Screw	
16	21734	Lockwasher	
17	02431	Lockwasher	
18	52566	Nut	

* Add Letter To Designate Color. L - Almond W - White

Timer, Meter Case and Service Door

Models EA2110*, EA2111*, EA2120*, EA2121*, EA2210*, EA2220*, EA2221*, EA2311*, EA2520*, EA2521* and JA0110*T



W117PZ3B_35383

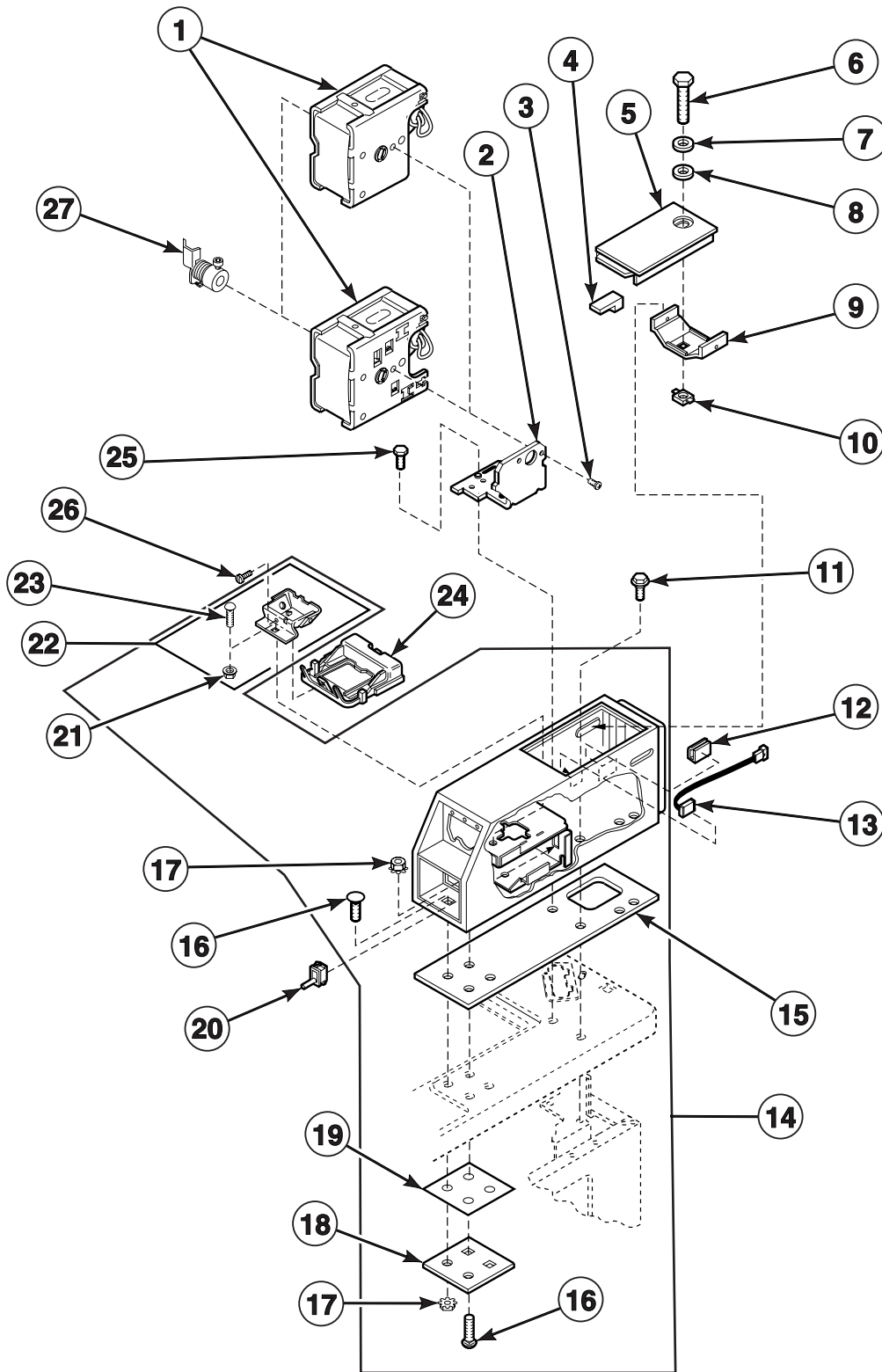
Timer, Meter Case and Service Door

REF	PART NO.	DESCRIPTION	COMMENTS
1	31111	Timer Assembly	Models EA2110*, EA2111*, EA2120*, EA2121* and JA0110*T
	34601	Timer Assembly	Models EA2210*, EA2220* and EA2221*
	34602	Timer Assembly	Models EA2520* and EA2521*
2	35249	Timer Bracket	
3	21720	Screw	
4	35798*	Service Door	
5	503673	Screw	
6	35917	Washer	Metal
7	35774	Washer	Vinyl
8	30642	Locking Bracket	
9	30647	Retainer Nut	
10	502431	Shoulder Screw	
11	524P3*	Meter Case	Includes items 12, 13, 14, 15, 16 and 20
12	26354	Meter Case Gasket	
13	35526	Gasket	
14	35525	Bracket	
15	02505	Carriage Bolt	
16	29786	Locknut	
17	62113P	Counter Kit	Models EA2520* and EA2521*
18	29796	Nut	
19	29651	Bolt	
20	523P3	Coin Funnel Kit	Includes items 18 and 19
21	36048	Screw	
22	29503	Clutch	

* Add Letter To Designate Color. L - Almond W - White

Timer, Meter Case and Service Door

Models EA2610*, EA2620*, EA2621*, EA2710* and EA2721*



W118PZ3B_35383

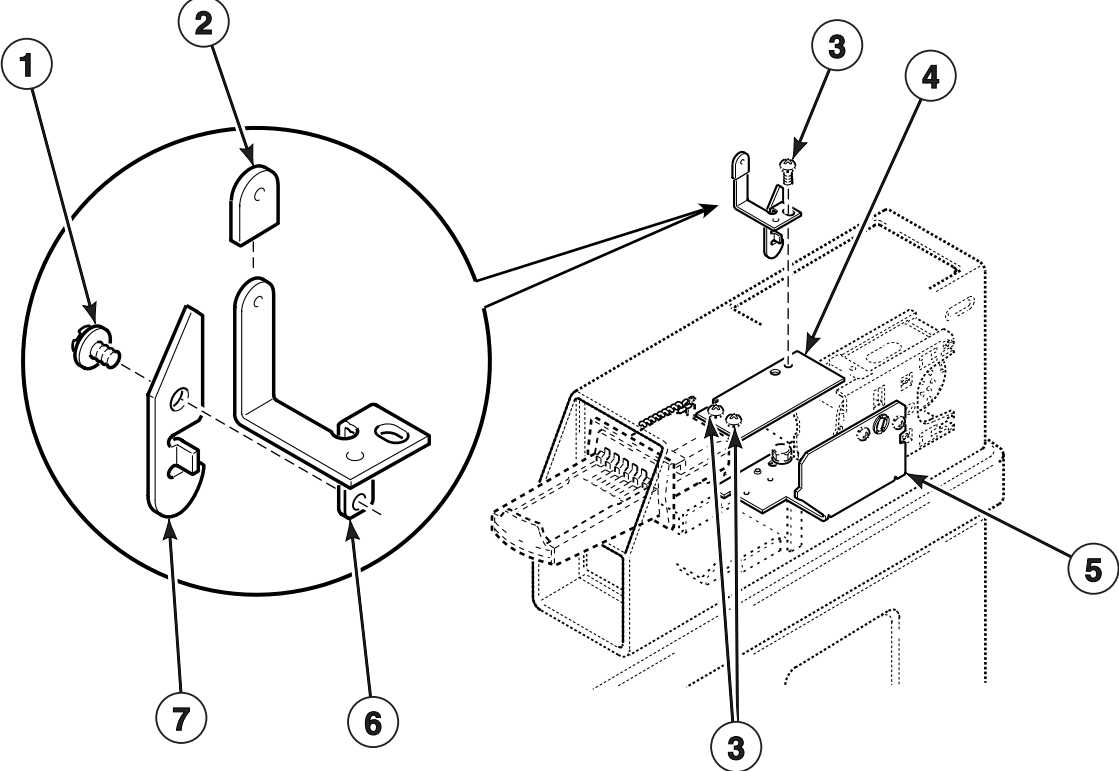
Timer, Meter Case and Service Door

REF	PART NO.	DESCRIPTION	COMMENTS
1	34602	Timer Assembly	Models EA2610*, EA2620* and EA2621*
	N/A	Timer Assembly	Models EA2710* and EA2721*
2	35249	Timer Bracket	
3	21720	Screw	
4	501453	Magnet	
5	35798*	Service Door	
6	503673	Screw	
7	35917	Washer	Metal
8	35774	Washer	Vinyl
9	30642	Locking Bracket	
10	30647	Retainer Nut	
11	502431	Shoulder Screw	
12	N/A	Wire Harness Clip	
13	34599	Switch	
14	524P3*	Meter Case	Includes items 15, 16, 17, 18, 19 and 22
15	26354	Meter Case Gasket	
16	02505	Carriage Bolt	
17	29786	Locknut	
18	35525	Bracket	
19	35526	Gasket	
20	34536	Switch	
21	29796	Nut	
22	523P3	Coin Funnel Kit	Includes items 21 and 23
23	29651	Bolt	
24	N/A	Sensor Control	
25	36048	Screw	
26	31260	Screw	
27	29503	Clutch	

* Add Letter To Designate Color. L - Almond W - White

N/A = Part no longer available

552P3 Coin Slide Start Security Kit



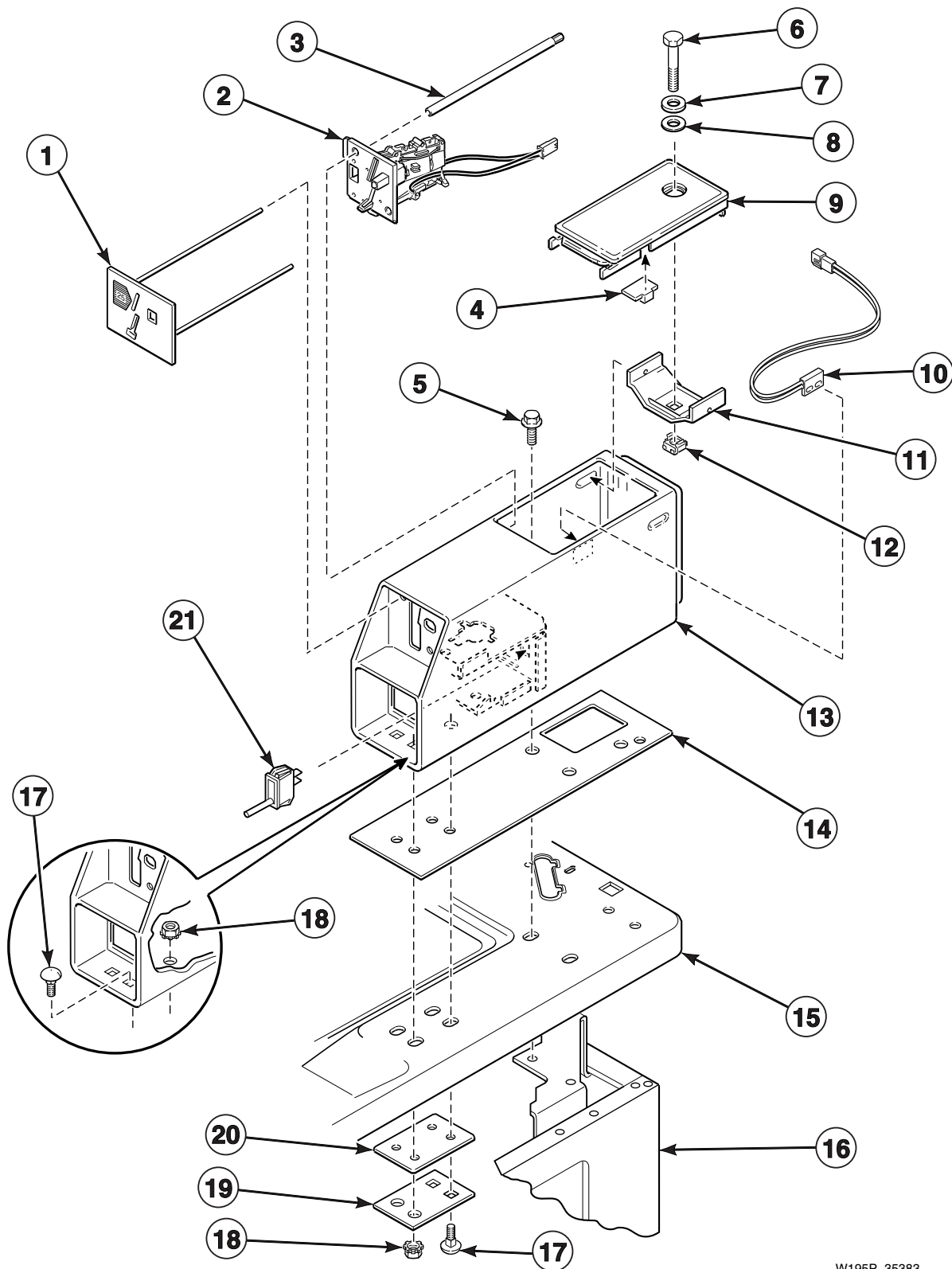
W026K_35383

552P3 Coin Slide Start Security Kit

REF	PART NO.	DESCRIPTION	COMMENTS
1	36166	Screw	
2	36165	Plastic Boot	
3	03950	Screw	
4	501483	Slide Extension	
5	35249	Timer Bracket	Not included in 552P3 Kit
6	36163	Actuator Support	
7	36164	Actuator	

Coin Drop, Meter Case and Service Door

Models EA2820*, EA2821*, EA2920* and EA2921*



W195P_35383

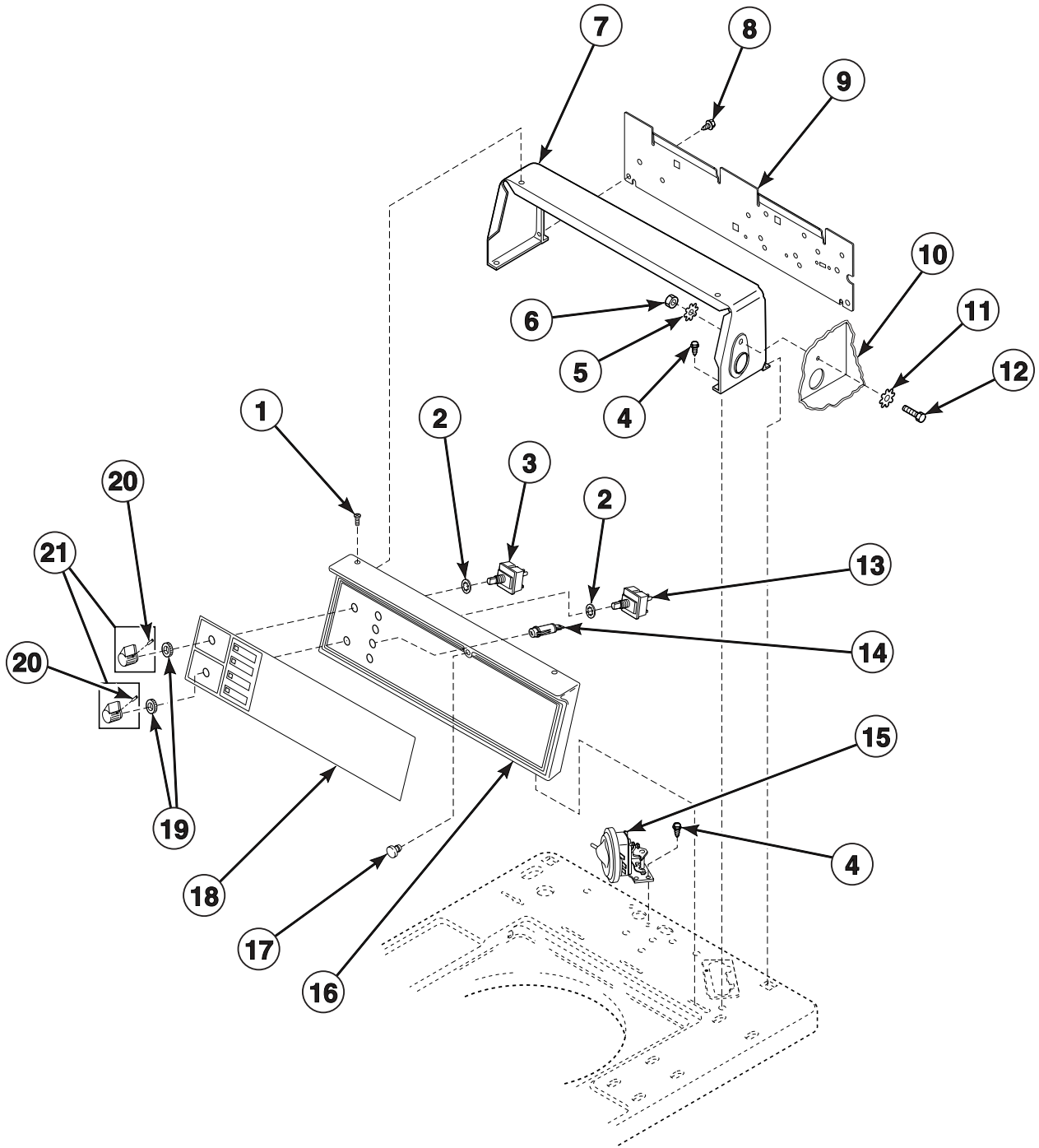
Coin Drop, Meter Case and Service Door

REF	PART NO.	DESCRIPTION	COMMENTS
1	201191	Coin Drop Front Plate	
2	39873	Coin Drop Assembly	
3	501365	Locking Rod	
4	501453	Magnet	
5	36048	Screw	
6	503673	Screw	
7	35917	Washer	Metal
8	35774	Washer	Vinyl
9	35798*	Service Door	
10	34599	Switch	
11	30642	Locking Bracket	
12	30647	Retainer Nut	
13	38542*P	Meter Case	
14	26354	Gasket	
15	36120*P	Cabinet Top	Painted
	36122*P	Cabinet Top	Porcelain
16	38612*P	Cabinet Assembly	
17	02505	Carriage Bolt	
18	29786	Locknut	
19	35525	Bracket	
20	35526	Gasket	
21	504570	Switch	

* Add Letter To Designate Color. L - Almond W - White

Control Panel, Control Hood and Controls

Models EA2011*, EA2020*, EA2021*, EA2110*, EA2111*, EA2120*, EA2121*, EA2210*, EA2220*, EA2221*, EA2520*, EA2521* and JA0110*T



W119PZ3D_35383

Control Panel, Control Hood and Controls

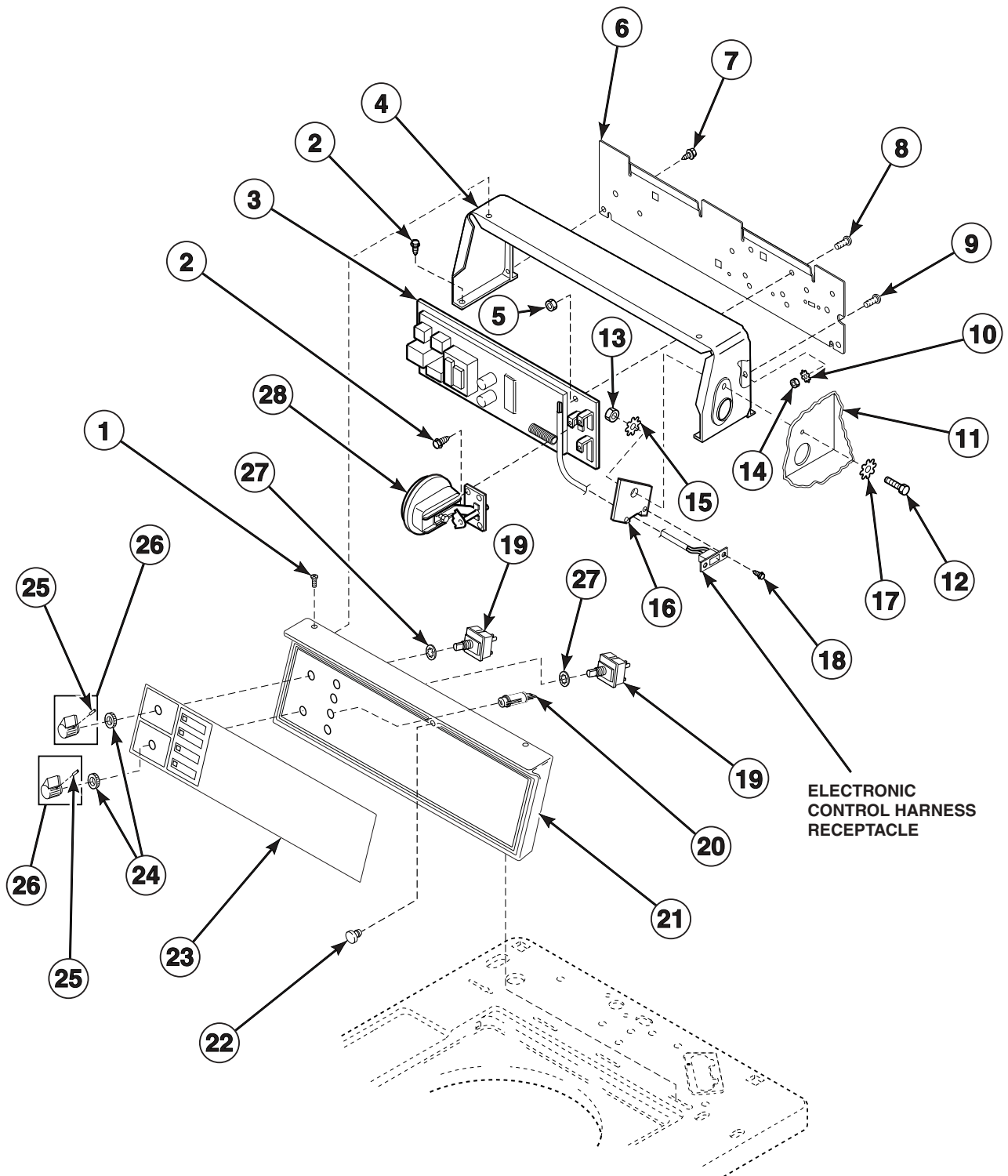
REF	PART NO.	DESCRIPTION	COMMENTS
1	500226	Screw	Phillips Head
	35528	Screw	Torx Head
2	91176	Lockwasher	
3	81799	Wash Temperature Switch	
4	23962	Screw	
5	02431	Lockwasher	
6	52566	Locknut	
7	37075*	Control Hood	
8	23222	Screw	
9	38267	Control Hood Rear Cover	
10	37733W	Timer Case	
	524P3*	Meter Case	
11	M400017	Lockwasher	
12	02916	Cap Screw	
13	27762	Speed Switch	Two Speed Models
14	32464	Indicator Light	Models EA2011*, EA2020* and EA2021*; (4 required)
	32463	Indicator Light	Unbalanced Load; All other models
	32466	Indicator Light	In Use; All other models
	32464	Indicator Light	Rinse or Spin; All other models
15	35889	Pressure Switch	
16	36521*	Control Panel Frame	
17	32648	Bumper	
18	32460	Control Panel Overlay	Models EA2011*, EA2110*, EA2111* and EA2210*
	32472	Control Panel Overlay	Models EA2020*, EA2021*, EA2120*, EA2121*, EA2220*, EA2221*, EA2520* and EA2521*
	N/A	Control Panel Overlay	Model JA0110*T
19	24205	Knurled Nut	
20	N/A	Setscrew	
21	39897	Control Knob Assembly	

* Add Letter To Designate Color. L - Almond W - White

N/A = Part no longer available

Control Panel, Control Hood and Controls

Model EA2311*



W120PZ3B_35383

Control Panel, Control Hood and Controls

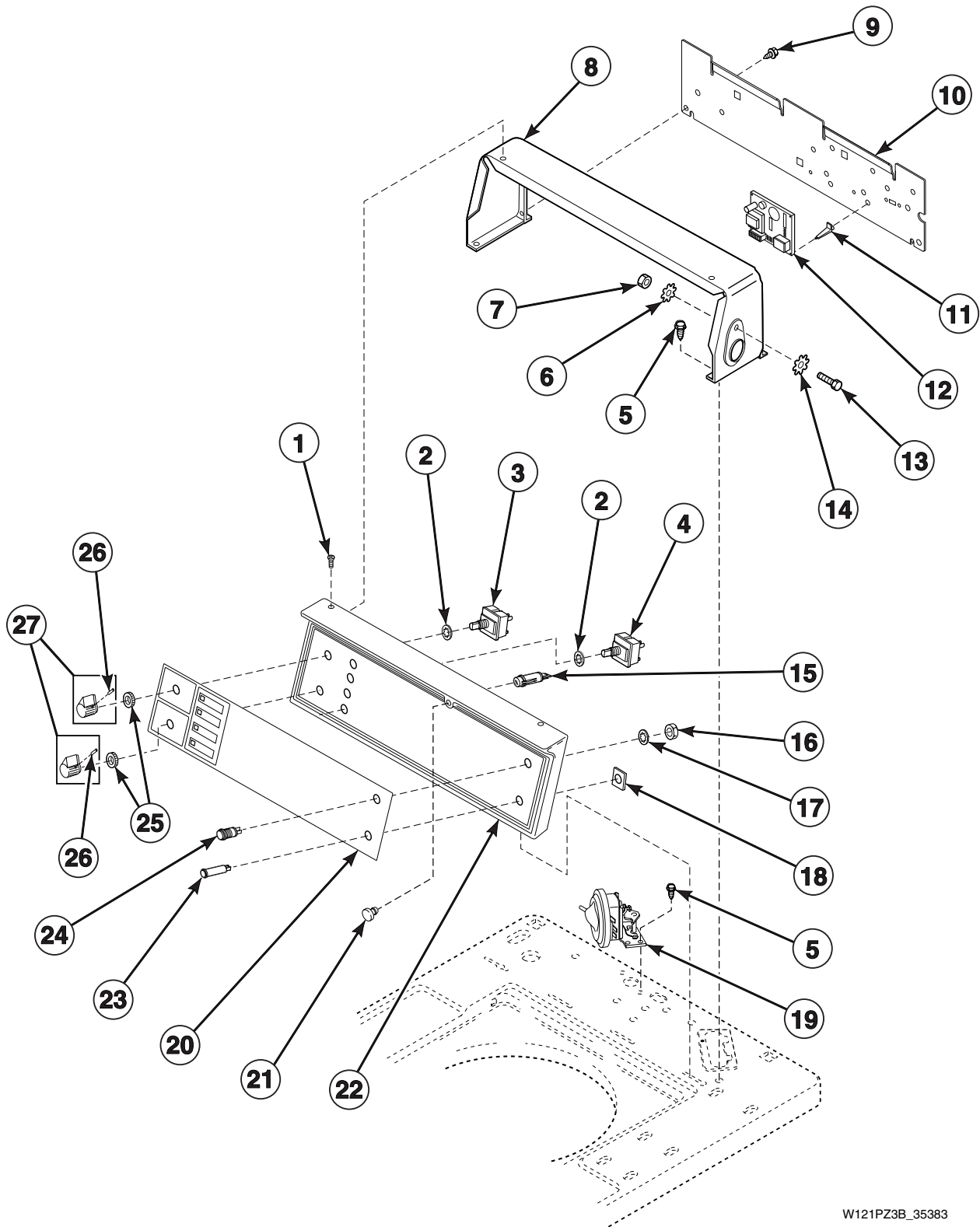
REF	PART NO.	DESCRIPTION	COMMENTS
1	500226	Screw	Phillips Head
	35528	Screw	Torx Head
2	23962	Screw	
3	33422	Electronic Control and Bracket	
4	37075*	Control Hood	
5	23951	Locknut	
6	38267	Control Hood Rear Cover	
7	23222	Screw	
8	03814	Screw	
9	20267	Screw	
10	03815	Lockwasher	
11	524P3*	Meter Case	
12	02916	Cap Screw	
13	52566	Nut	
14	03673	Nut	
15	02431	Lockwasher	
16	N/A	Bracket	
17	91093	Lockwasher	
18	32649	Screw	
19	81799	Switch	
20	32465	Indicator Light	Unbalanced Load
	32422	Indicator Light	In Use, Rinse or Spin
21	36521*	Control Panel Frame	
22	32648	Bumper	
23	32479	Control Panel Overlay	
24	24205	Knurled Nut	
25	20310	Setscrew	
26	39897	Control Knob Assembly	
27	91176	Lockwasher	
28	35889	Pressure Switch	

* Add Letter To Designate Color. L - Almond W - White

N/A = Part no longer available

Control Panel, Control Hood and Controls

Models EA2610*, EA2620*, EA2621*, EA2710* and EA2721*



W121PZ3B_35383

Control Panel, Control Hood and Controls

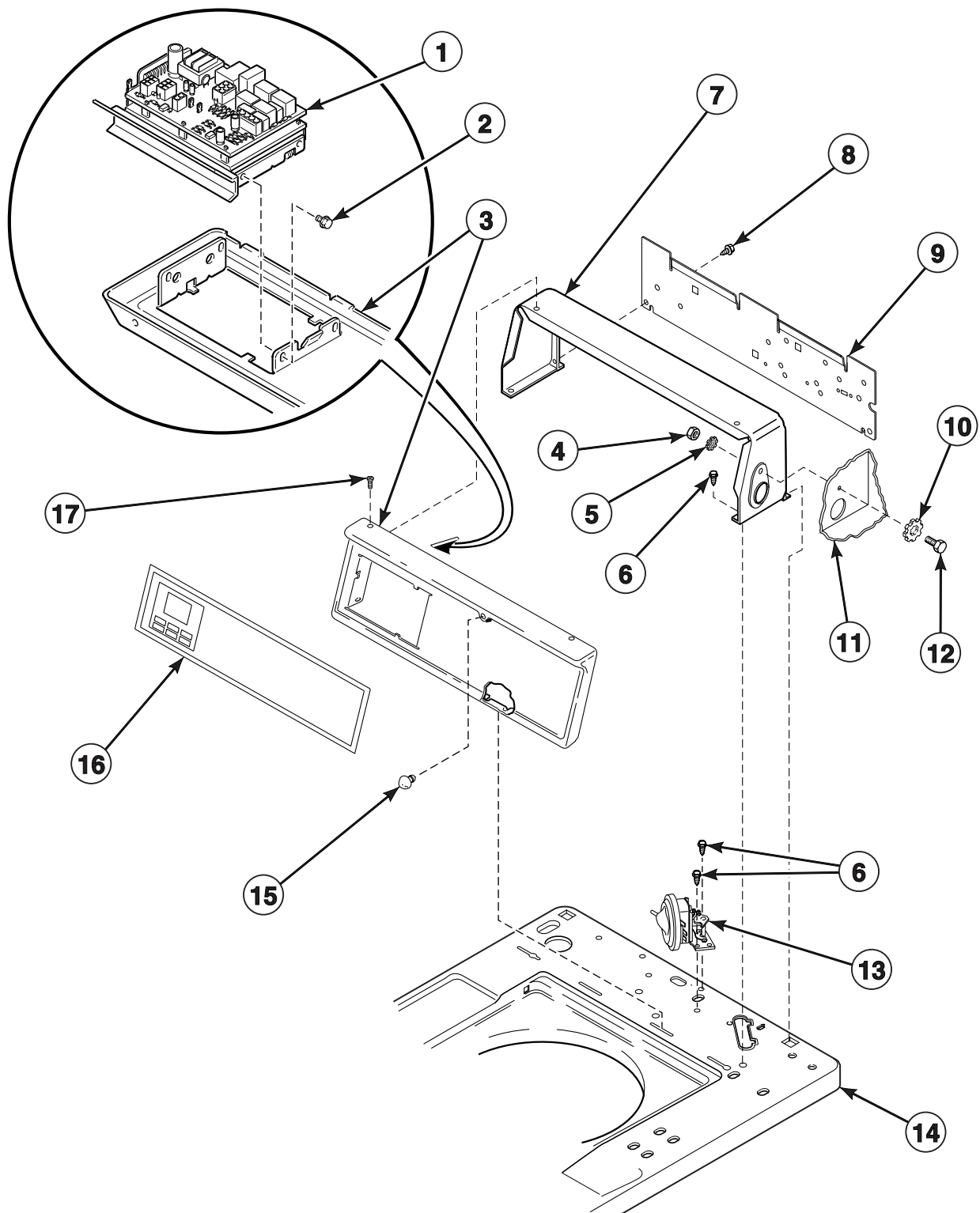
REF	PART NO.	DESCRIPTION	COMMENTS
1	500226	Screw	Phillips Head
	35528	Screw	Torx Head
2	91176	Lockwasher	
3	81799	Switch	
4	27762	Switch	
5	23962	Screw	
6	02431	Lockwasher	
7	52566	Locknut	
8	37075*	Control Hood	
9	23222	Screw	
10	38267	Control Hood Rear Cover	
11	34896	Support	
12	34522	Printed Circuit Board	
13	02916	Cap Screw	
14	M400017	Lockwasher	
15	32463	Indicator Light	Unbalanced Load
	32466	Indicator Light	In Use
	32464	Indicator Light	Rinse or Spin
16	35322	Nut	
17	35321	Washer	
18	34762	Push-on Clip	
19	35889	Pressure Switch	
20	34700	Control Panel Overlay	Models EA2610* and EA2710*
	34699	Control Panel Overlay	Models EA2620*, EA2621* and EA2721*
21	32648	Bumper	
22	36521*	Control Panel Frame	
23	34701	Transmit Light	
24	N/A	Transmit Switch	
25	24205	Knurled Nut	
26	20310	Setscrew	
27	39897	Control Knob Assembly	

* Add Letter To Designate Color. L - Almond W - White

N/A = Part no longer available

Control Panel, Control Hood and Controls

Models EA2820*, EA2821*, EA2920* and EA2921*



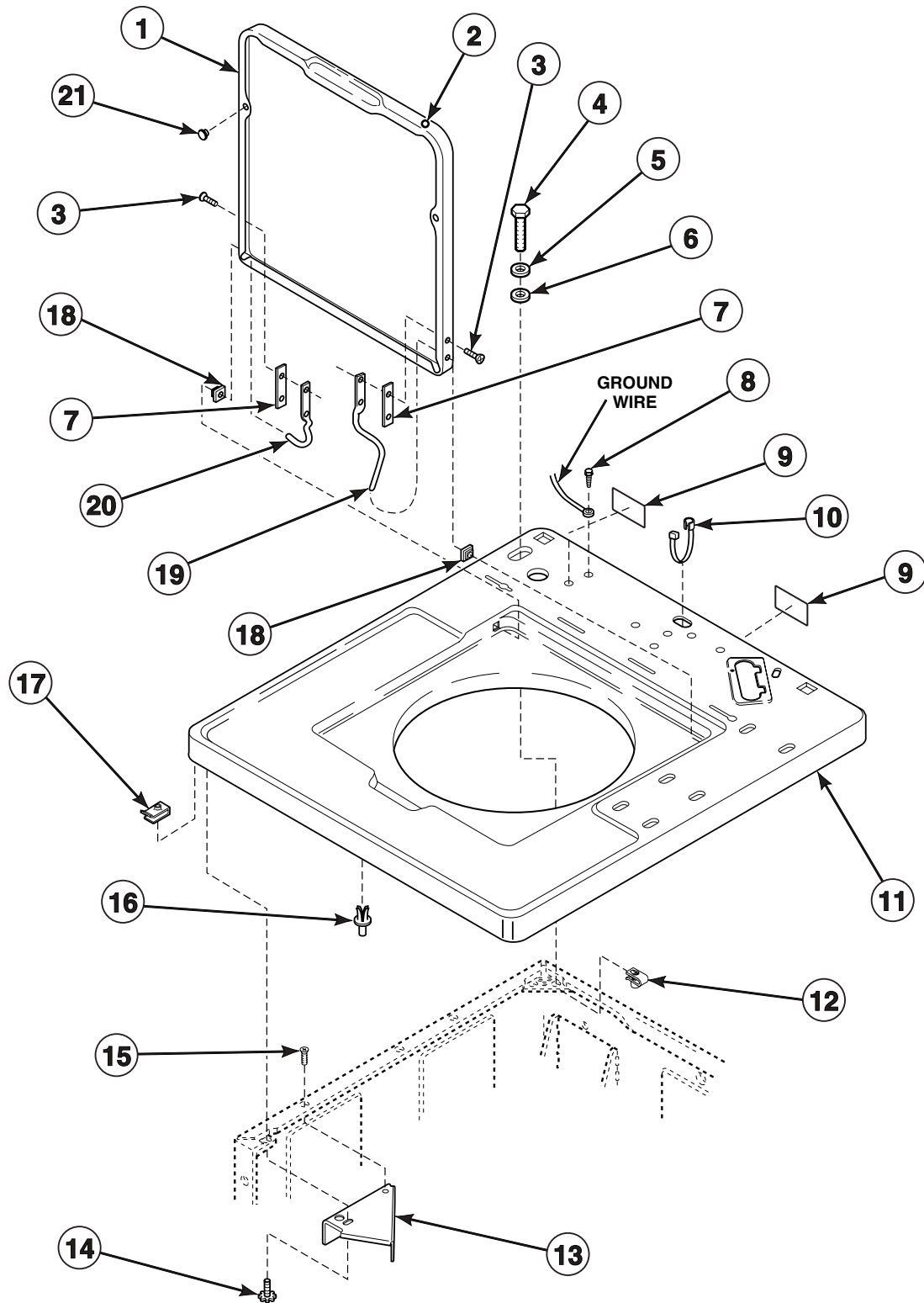
W196P_35383

Control Panel, Control Hood and Controls

REF	PART NO.	DESCRIPTION	COMMENTS
1	38188	Control and Shield	
2	501524	Screw	
3	36097*	Control Panel Frame	
4	52566	Locknut	
5	02431	Lockwasher	
6	23962	Screw	
7	37075*	Control Hood	
8	23222	Screw	
9	38267	Control Hood Rear Panel	
10	M400017	Lockwasher	
11	38542*P	Meter Case	
12	02916	Cap Screw	
13	35889	Pressure Switch	
14	36120*P	Cabinet Top	Painted
	36122*P	Cabinet Top	Porcelain
15	32648	Bumper	
16	39096	Control Panel Overlay	
17	500226	Screw	Phillips Head
	35528	Screw	Torx Head

* Add Letter To Designate Color. L - Almond W - White

Cabinet Top and Loading Door



W123PZ3B_35383

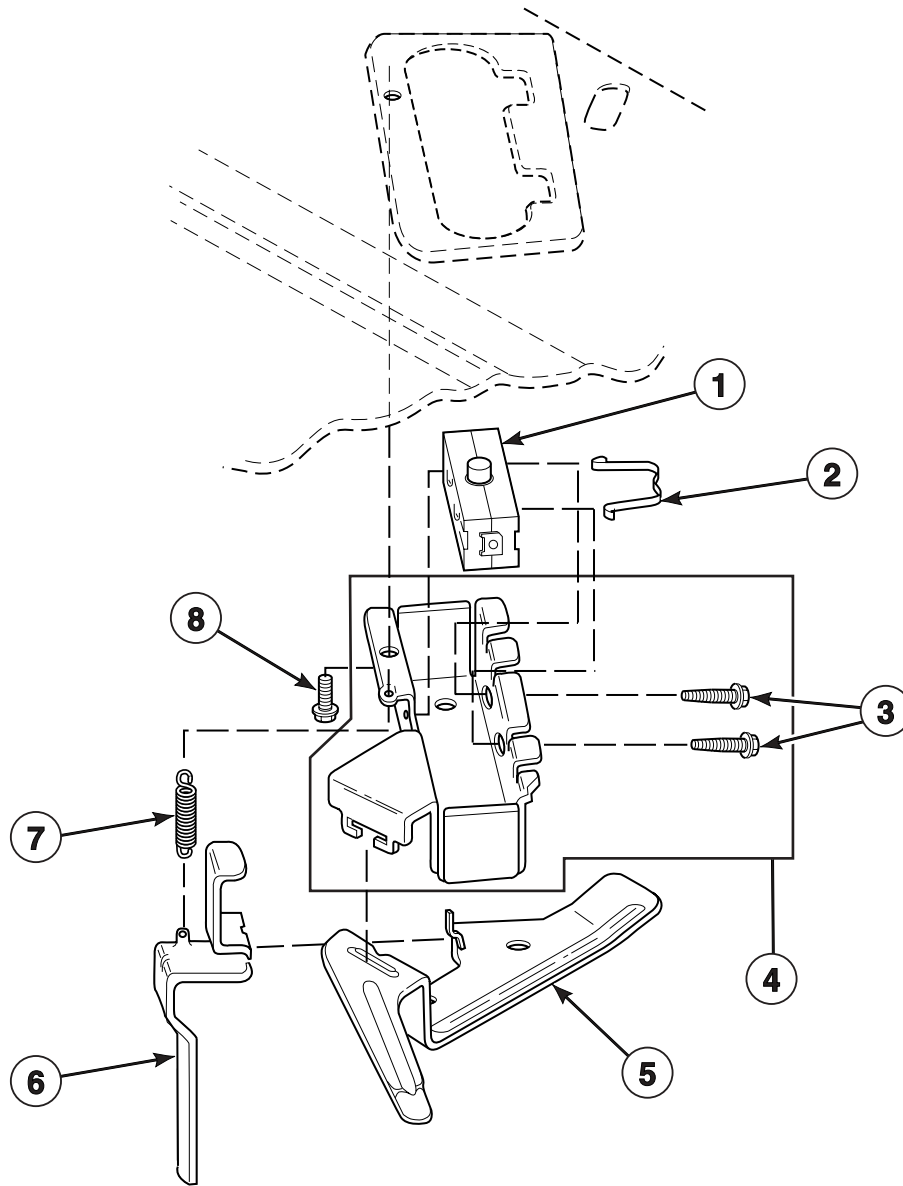
Cabinet Top and Loading Door

REF	PART NO.	DESCRIPTION	COMMENTS
1	33845*P	Loading Door	Painted
	200893*	Loading Door	Porcelain
2	34153	Plug	
3	34337	Screw	
4	503673	Screw	Optional; For added security
5	35917	Washer	Metal; Optional; For added security
6	35774	Washer	Vinyl; Optional; For added security
7	34338	Gasket	
8	52909	Screw	
9	505281	Sticker	
10	21903	Strain Relief	
11	36120*P	Cabinet Top	Painted - Metered Models
	36122*P	Cabinet Top	Porcelain - Metered Models
	36271*P	Cabinet Top	Painted - Nonmetered Models
	36273*P	Cabinet Top	Porcelain - Nonmetered Models
12	27222	Retainer Nut	Optional; For added security
13	36034	Director Bracket	
14	23008	Screw and Lockwasher	
15	N/A	Screw	
16	56534	Rivet	
17	36020	Speed Nut	
18	36474	Bushing	
19	36437	Hinge	Right
20	36438	Hinge	Left
21	21685	Bumper	

* Add Letter To Designate Color. L - Almond W - White

N/A = Part no longer available

Out-of-Balance Switch



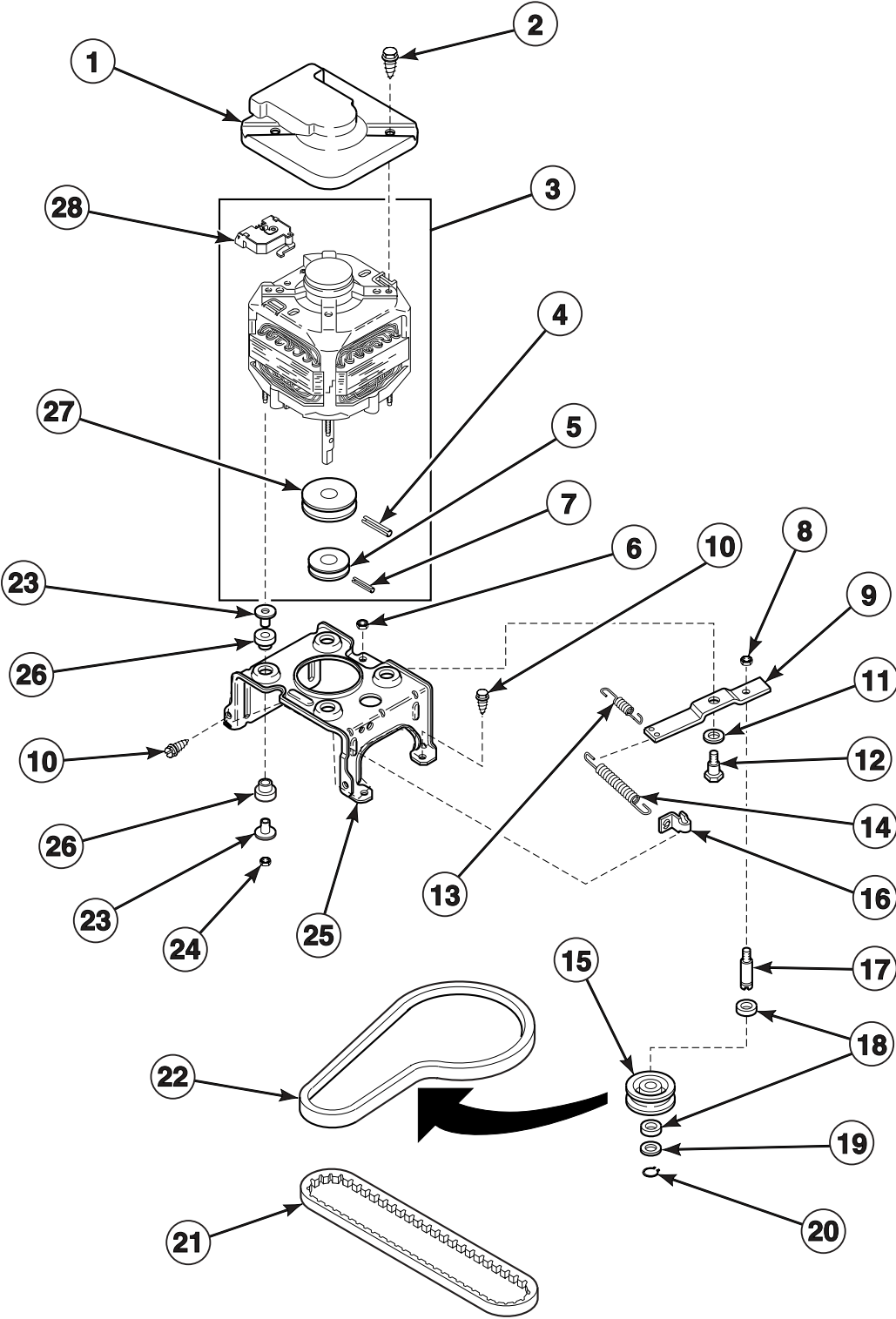
W209P_35383

Out-of-Balance Switch

REF	PART NO.	DESCRIPTION	COMMENTS
1	33445	Switch	Models EA2820*, EA2821*, EA2920* and EA2921*
	33527	Switch	All other models
2	33433	Clip	For Models Using Switch Holder 33440
3	36510	Screw	For Models Using Switch Holder Kit 36497P
4	36497P	Switch Holder Kit	Replaces Switch Holder 33440
5	33441	Actuator Arm	
6	33442	Lever	
7	33443	Spring	
8	23962	Screw	

* Add Letter To Designate Color. L - Almond W - White

Motor, Mounting Bracket, Belts and Idler Assembly



W235P_35383

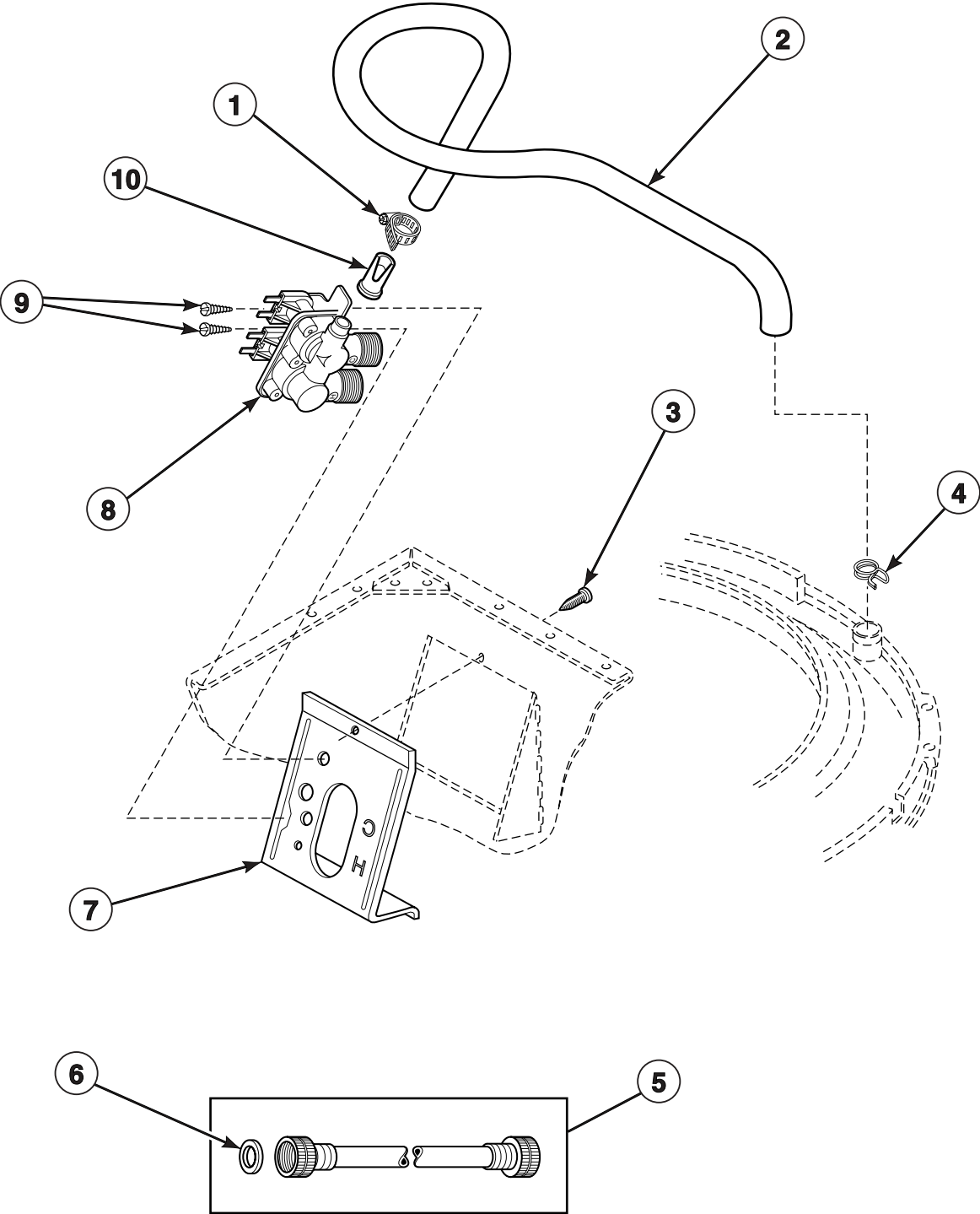
Motor, Mounting Bracket, Belts and Idler Assembly

REF	PART NO.	DESCRIPTION	COMMENTS
	258P3	Capacitor Kit	For use in areas where low voltage exists.
1	34754	Motor Shield	
2	36639	Screw	
3	35486	Motor Assembly	One Speed Motor
	35485	Motor Assembly	Two Speed Motor
4	N/A	Roll Pin	
5	27104	Motor Pulley	Pump
6	52566	Locknut	
7	10416	Roll Pin	
8	28803	Locknut	
9	31054	Idler Lever	
10	503661	Screw	
11	81392	Washer	
12	27229	Shoulder Bolt	
13	30620	Helper Spring	
14	37366	Spring	
15	28800	Idler Pulley	
16	28849	Clip	
17	28802	Idler Shaft	
18	29443	Washer	Felt
19	52549	Washer	Nylatron
20	23748	Retainer Ring	
21	27155	Belt	Pump
22	28808	Belt	Agitate and Spin
23	34791	Motor Mount Post	
24	35423	Nut	
25	N/A	Mounting Bracket	
26	34788	Motor Mount	Rubber
27	N/A	Motor Pulley	
28	35632	Motor Switch	

* Add Letter To Designate Color. L - Almond W - White

N/A = Part no longer available

Inlet Hose, Fill Hose and Mixing Valve and Mounting Bracket

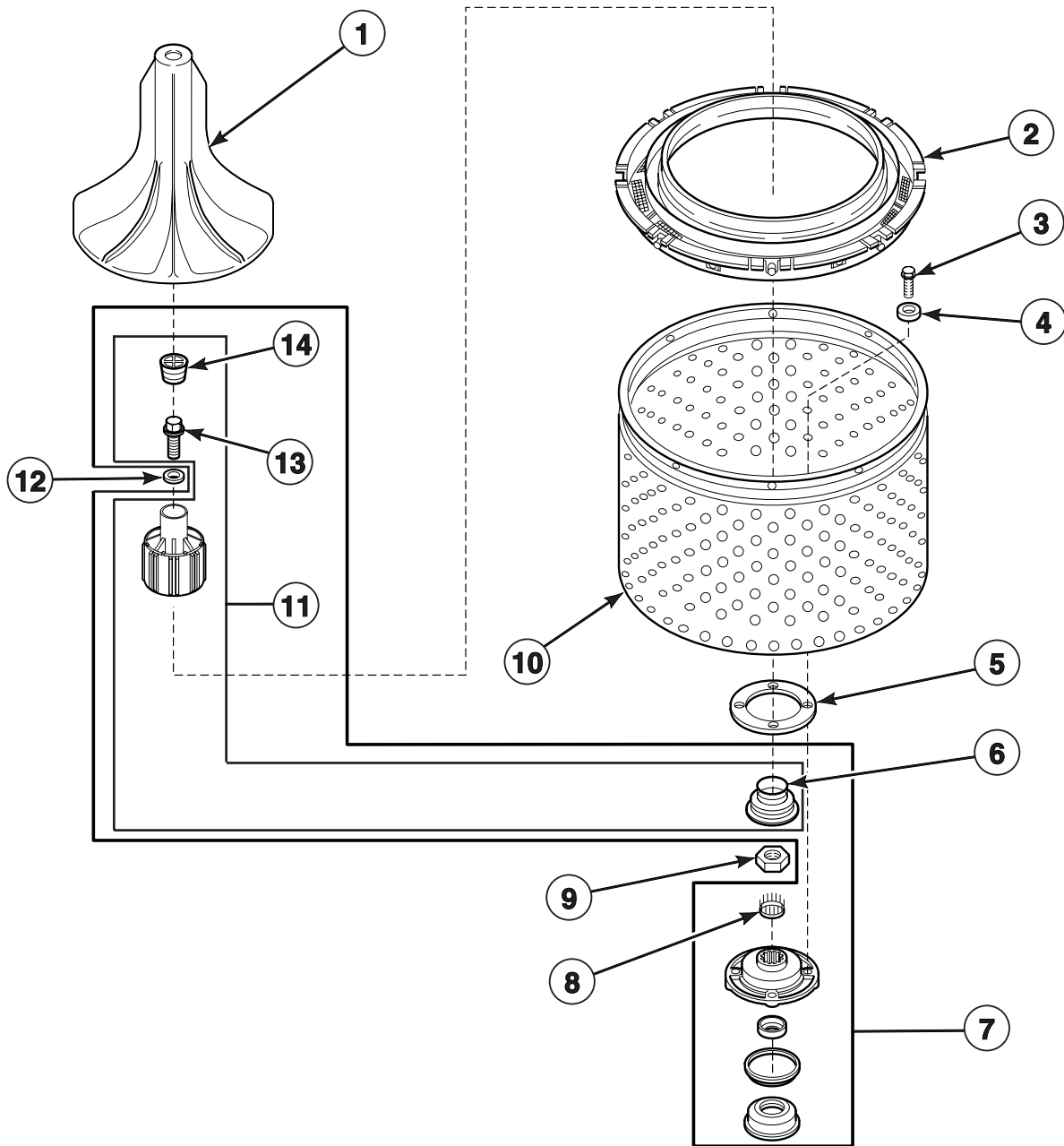


W125PZ3B_35383

Inlet Hose, Fill Hose and Mixing Valve and Mounting Bracket

REF	PART NO.	DESCRIPTION	COMMENTS
1	36801	Hose Clamp	
2	38155	Fill Hose	
3	33562	Screw	
4	29210	Hose Clamp	Gold
5	28330P	Inlet Hose Assembly	
6	20290	Hose Washer	
7	39407	Mixing Valve Mounting Bracket	
8	34963	Mixing Valve Assembly	
9	23962	Screw	
10	34500	Backflow Preventer	

Agitator, Drive Bell, Seal Kit, Washtub and Hub

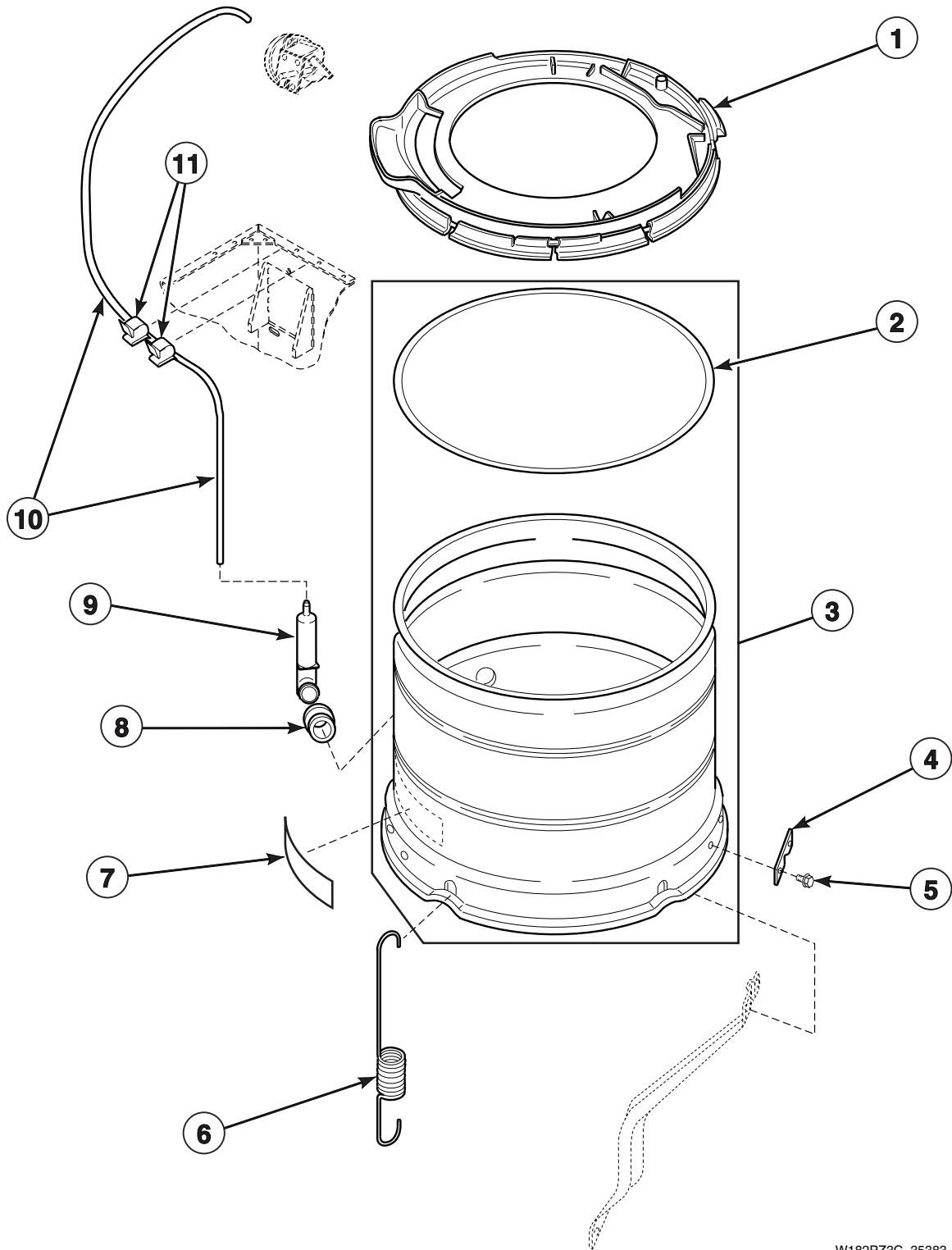


W227P_35383

Agitator, Drive Bell, Seal Kit, Washtub and Hub

REF	PART NO.	DESCRIPTION	COMMENTS
1	33513	Agitator	
2	32990	Clothes Guard	
3	27202	Cap Screw	
4	28094	Gasket	
5	27125	Gasket	
6	36425	Seal	
7	495P3	Hub and Seal Kit	Includes 32857 Cover Gasket and items 8 and 11
8	29728	Splined Insert	
9	29220	Locknut	
10	38668P	Washtub	Porcelain
	39387P	Washtub	Stainless Steel
11	39508	Drive Bell and Seal Kit	Includes items 6, 13 and 14
12	36472	O-Ring	
13	39432	Shoulder Screw	
14	36511	Plug	

Outer Tub, Cover and Pressure Hose



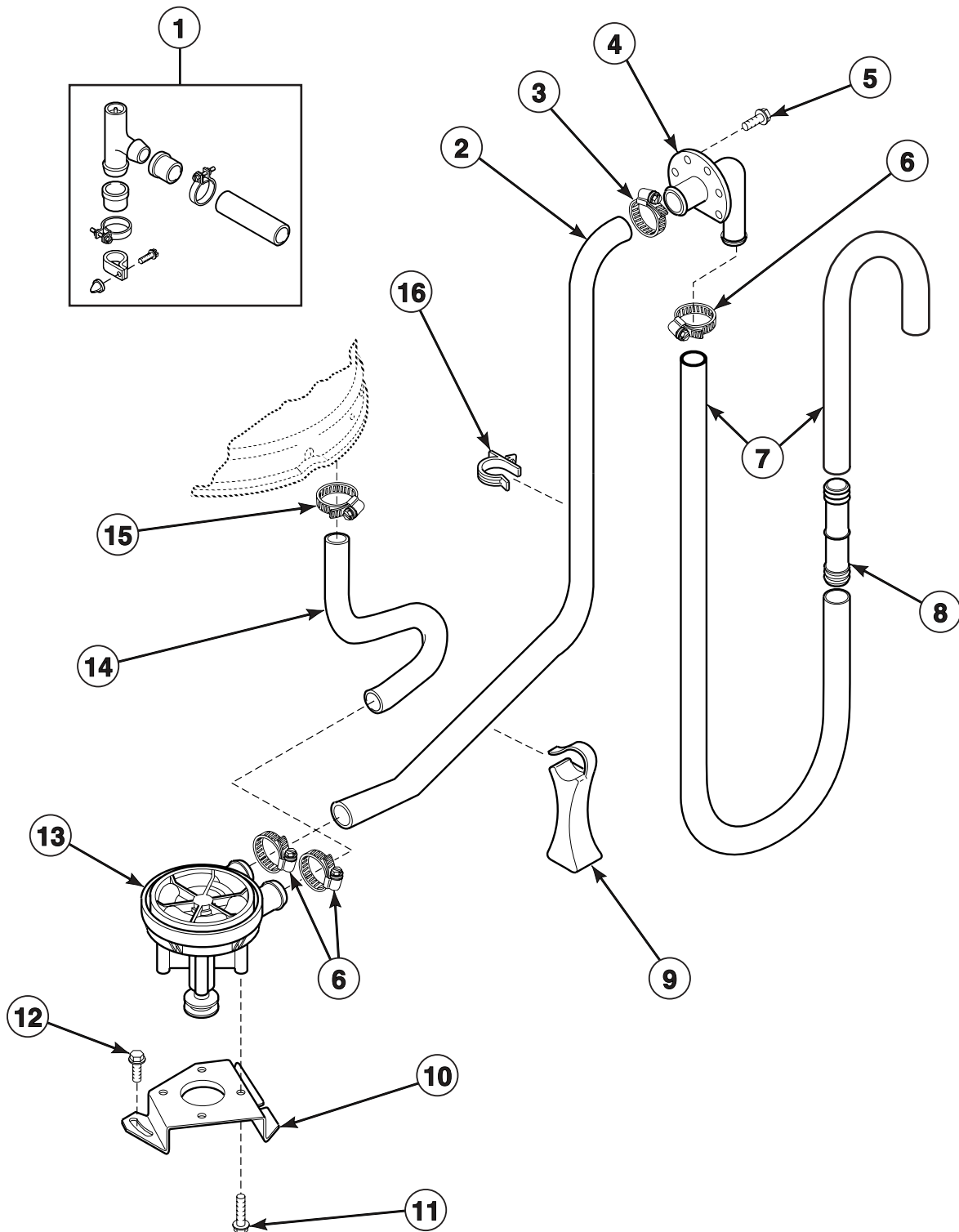
W182PZ3C_35383

Outer Tub, Cover and Pressure Hose

REF	PART NO.	DESCRIPTION	COMMENTS
1	36025P	Outer Tub Cover Assembly	Includes item 2
2	32857	Gasket	
3	34439	Outer Tub	
4	27926	Leg Plate	
5	35369	Screw	
6	35947	Centering Spring	
7	500049	Sticker	
8	29175	Grommet	
9	30907	Pressure Bulb	
10	39125	Pressure Hose	Models EA2311*, EA2820*, EA2821*, EA2920* and EA2921*
	39124	Pressure Hose	All other models
11	21036	Clips	

* Add Letter To Designate Color. L - Almond W - White

Pump Assembly, Bracket, Hoses and Siphon Break Kit

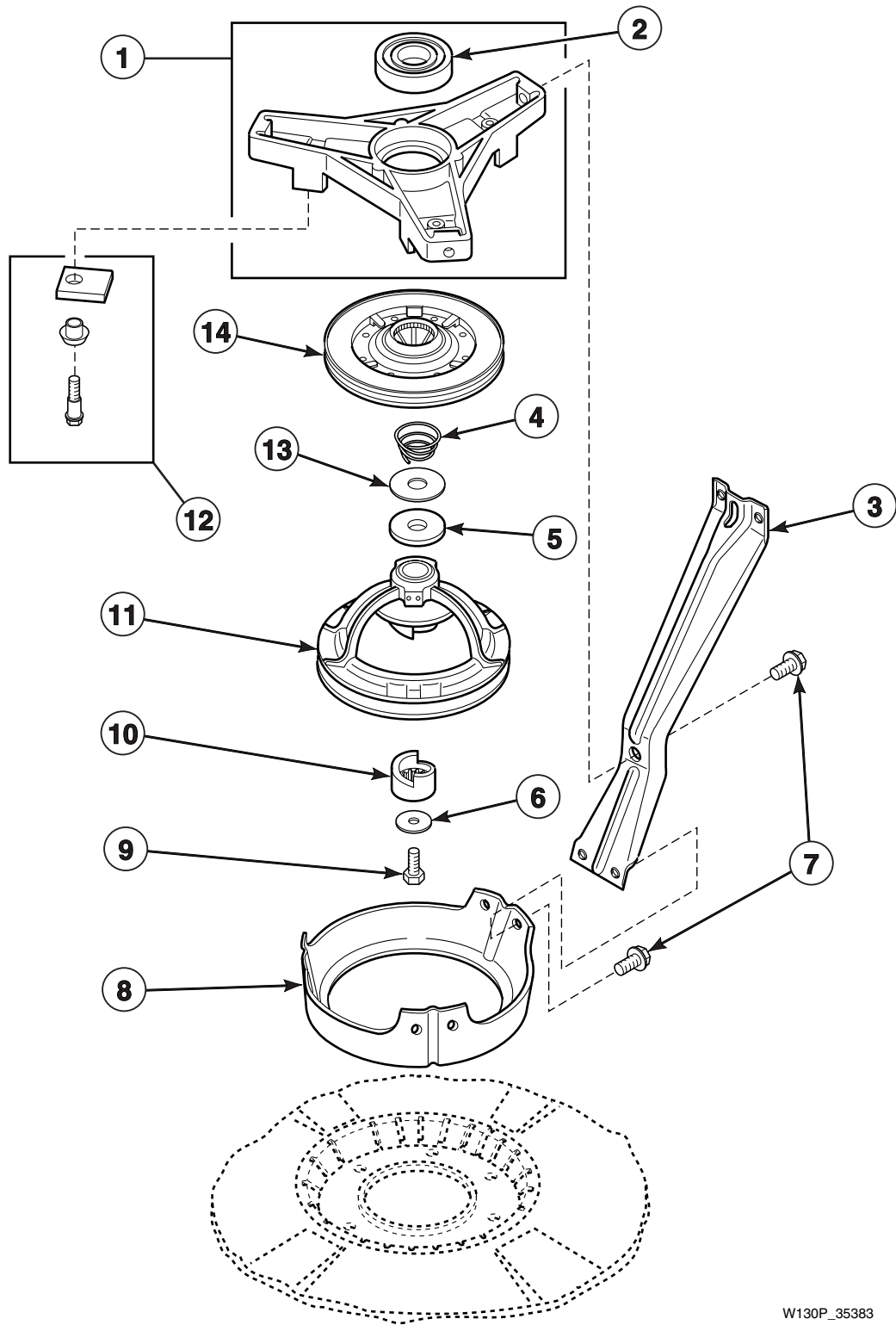


W192P__35383

Pump Assembly, Bracket, Hoses and Siphon Break Kit

REF	PART NO.	DESCRIPTION	COMMENTS
1	562P3	Siphon Break Kit	Siphon break kit MUST be installed in drain hose if drain receptacle is lower than cabinet top of washer.
2	27161	Pump-to-Elbow Hose	
3	20391	Hose Clamp	
4	35766	Drain Hose Elbow	
5	52909	Screw	
6	20211	Hose Clamp	
7	28293	Drain Hose	
8	25863	Hose Coupler	If drain hose must be shortened, cut hose between molded end and molded elbow. Use one No. 25863 Hose Coupler to splice hose.
9	35487	Hose Support	
10	35162	Mounting Bracket	
11	31098	Screw	
12	503661	Screw	
13	31969	Pump Assembly	Includes four of item 11
14	35754	Tub-to-Pump Hose	
15	36802	Hose Clamp	
16	39177	Hose Clip	

Bearing Housing, Brake, Pulley and Pivot Dome

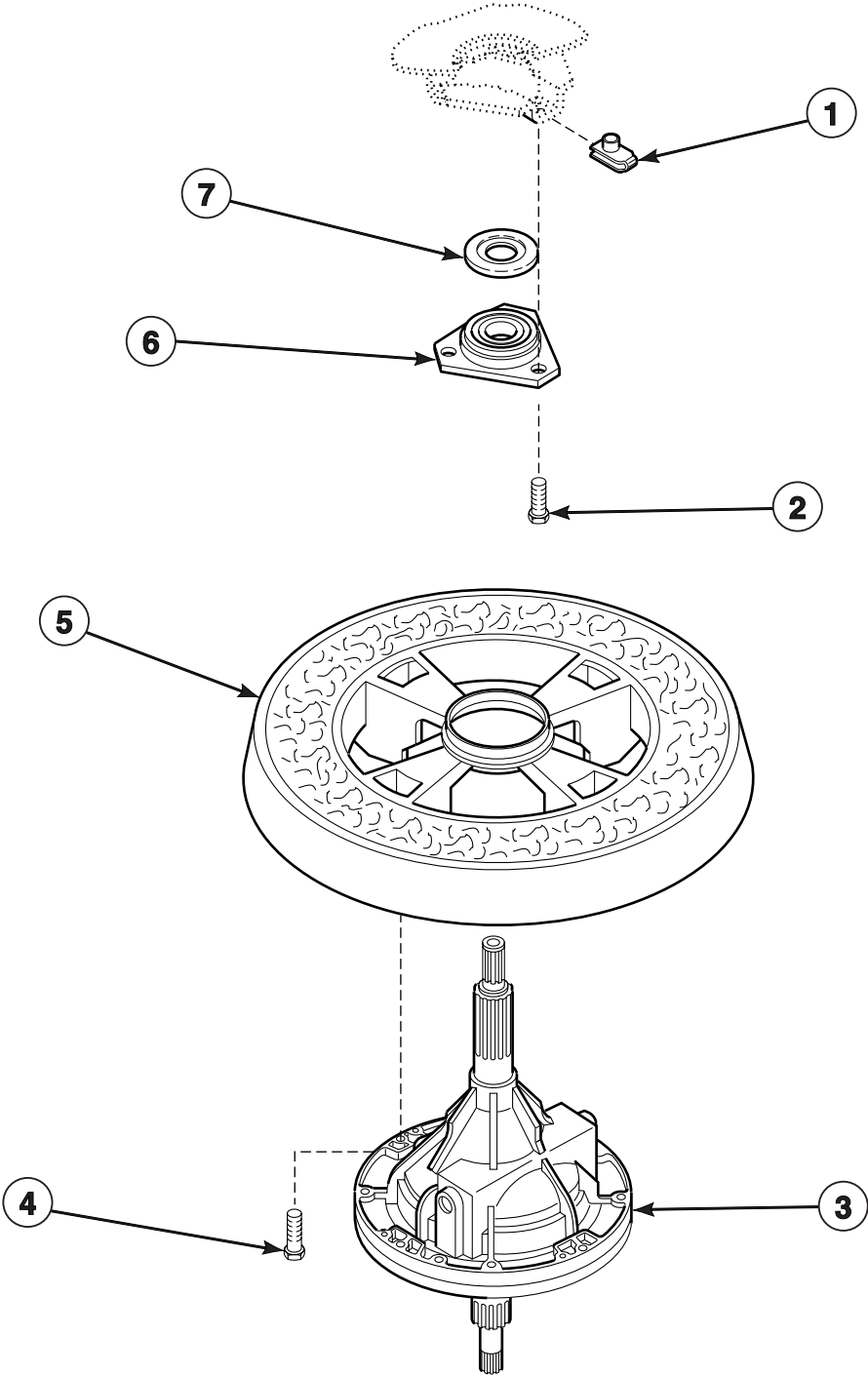


W130P_35383

Bearing Housing, Brake, Pulley and Pivot Dome

REF	PART NO.	DESCRIPTION	COMMENTS
	26594	Silicone Lubricant	Apply a small amount to each new brake pad.
1	35746	Bearing Housing Assembly	
2	28944R	Bearing	
3	34792	Support Leg	
4	33435	Spring	
5	27015	Washer	Thick
6	26509	Washer	
7	35369	Screw	
8	34470	Pivot Dome	
9	27220	Screw	
10	27018	Helix	
11	34923	Pulley Assembly	
12	548P3	Brake Pad Kit	Includes three pads, sleeves and screws.
13	35535	Washer	Thin
14	38505P	Brake Assembly	

Transmission Assembly and Balance Ring



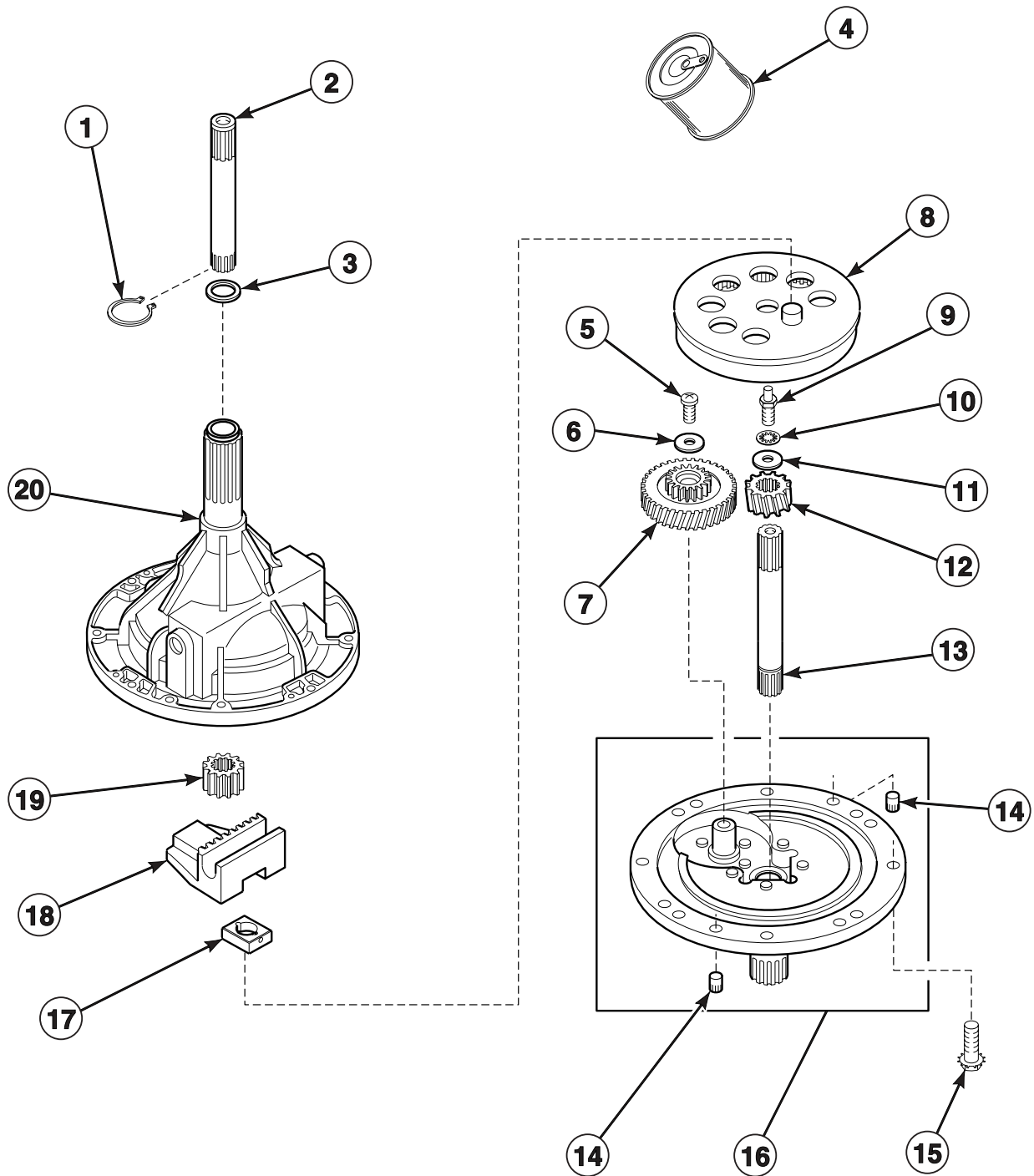
W234PZ3C_35383

Transmission Assembly and Balance Ring

REF	PART NO.	DESCRIPTION	COMMENTS
	27604P	Anti-Seize Compound	Apply to both the upper and lower transmission tubes.
1	27222	Retainer Nut	
2	36991	Cap Screw	
3	34526	Transmission Assembly	Refer to <i>Transmission Assembly</i> section for component parts
4	N/A	Cap Screw	
5	34731	Balance Ring	
6	27182	Bearing Housing Assembly	
7	27187	Flinger	Used through Serial No. 9510053575

N/A = Part no longer available

Transmission Assembly

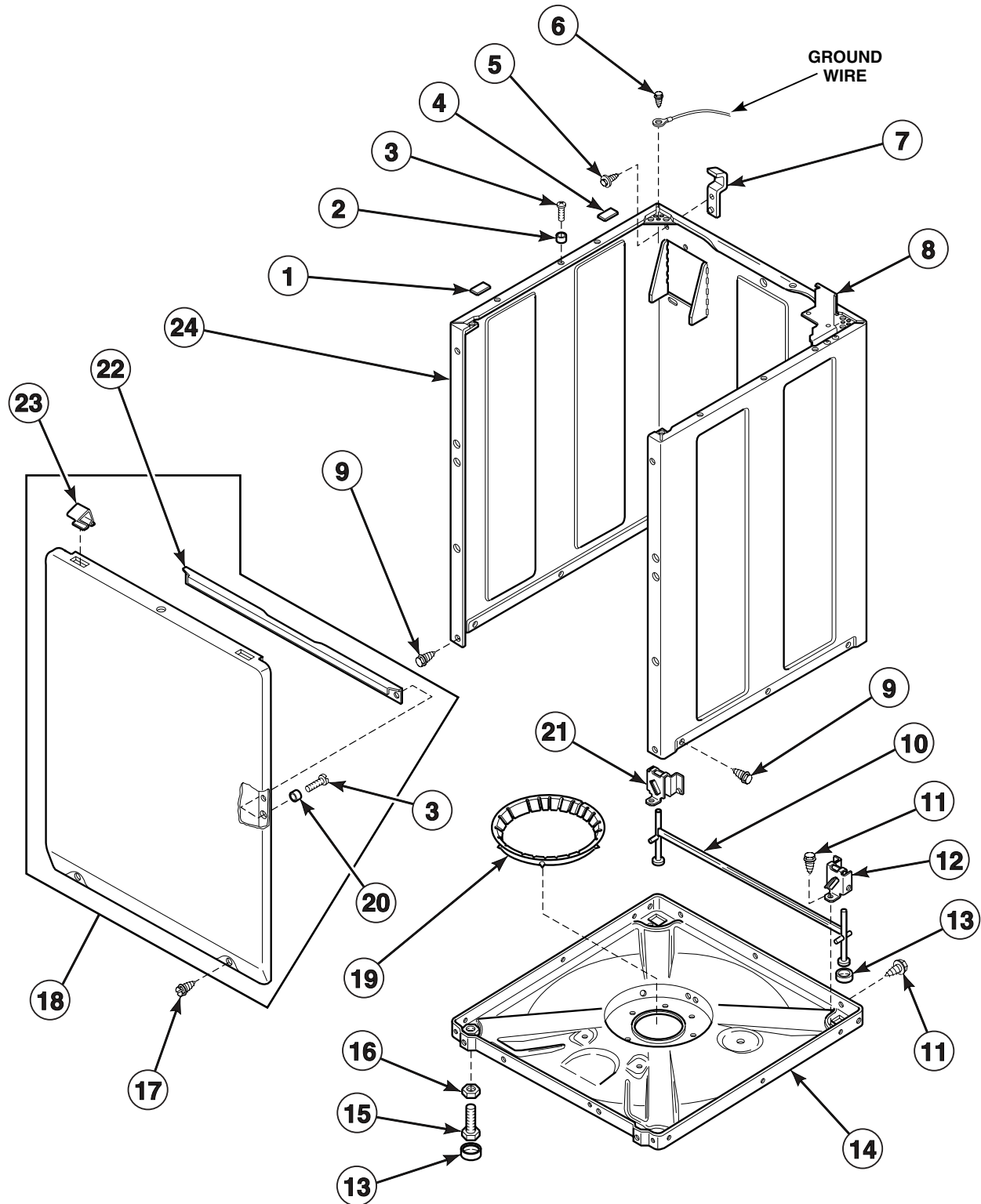


W132PZ3A_35383

Transmission Assembly

REF	PART NO.	DESCRIPTION	COMMENTS
	37577	Sealant	Use between Transmission Case and Cover
1	27197	Retainer Ring	
2	36570	Output Shaft	
3	35092	Washer	
4	27243	Transmission Oil	1 Fill
5	29273	Screw	
6	29260	Washer	
7	29161	Reduction Gear	
8	26577	Internal Gear	
9	27030	Special Screw	
10	21456	Lockwasher	
11	26509	Washer	
12	36562	Drive Pinion	
13	34853	Input Shaft	
14	27172	Dowel Pin	
15	32814	Screw	
16	38290	Transmission Cover Assembly	
17	26493	Slide	
18	31526	Rack	
19	27003	Agitator Pinion	
20	33223	Transmission Case Assembly	

Front Panel, Base Assembly and Cabinet Assembly



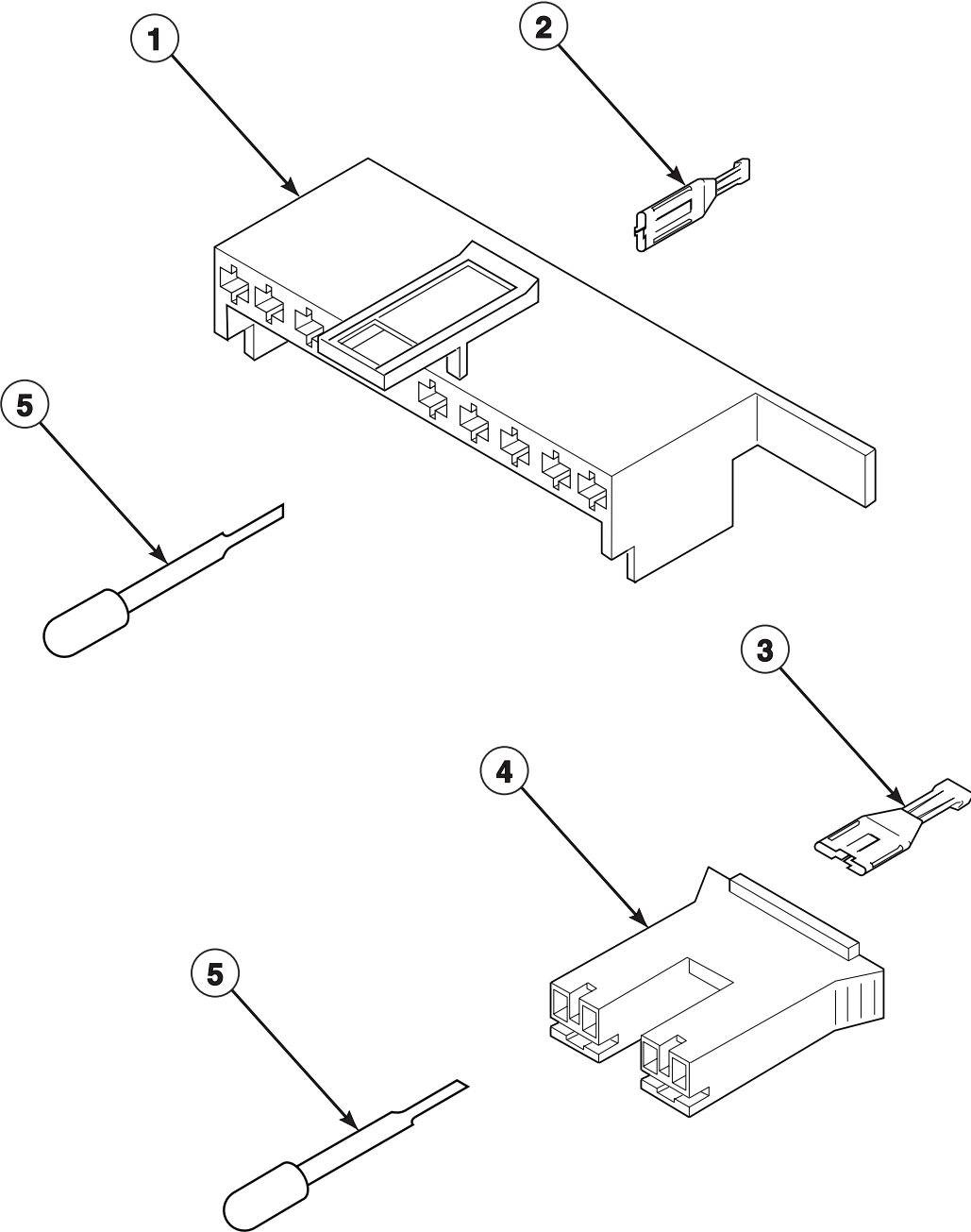
W133PZ3A_35383

Front Panel, Base Assembly and Cabinet Assembly

REF	PART NO.	DESCRIPTION	COMMENTS
1	56128	Bumper Pad	Thin
2	56079	Guide Lug	
3	39733	Screw	
4	36226	Bumper Pad	Thick
5	51780	Screw	
6	23962	Screw	
7	27103	Hinge	
8	35867	Mounting Bracket	
9	27196	Screw	
10	34443	Leveling Leg and Stabilizing Bar Assembly	
11	35148	Screw	
12	36036	Bracket	Right
13	34318	Rubber Foot	
14	34434	Base Assembly	
15	34319	Leveling Leg	
16	21899	Locknut	
17	27196	Screw	Slotted Hex Head
	35527	Screw	Torx Head - Refer to <i>Special Tools</i> section for Torx Bit and Holder
18	34656*P	Front Panel	Includes items 22, 23 and attaching hardware
19	36108	Snubber Pad and Isolator Assembly	
20	28102	Guide Lug	
21	36037	Bracket	Left
22	35097	Brace	
23	35865	Hold-Down Clip	
24	38612*P	Cabinet Assembly	

* Add Letter To Designate Color. L - Almond W - White

Mixing Valve and Motor Disconnect Blocks, Terminals and Terminal Extractor Tool

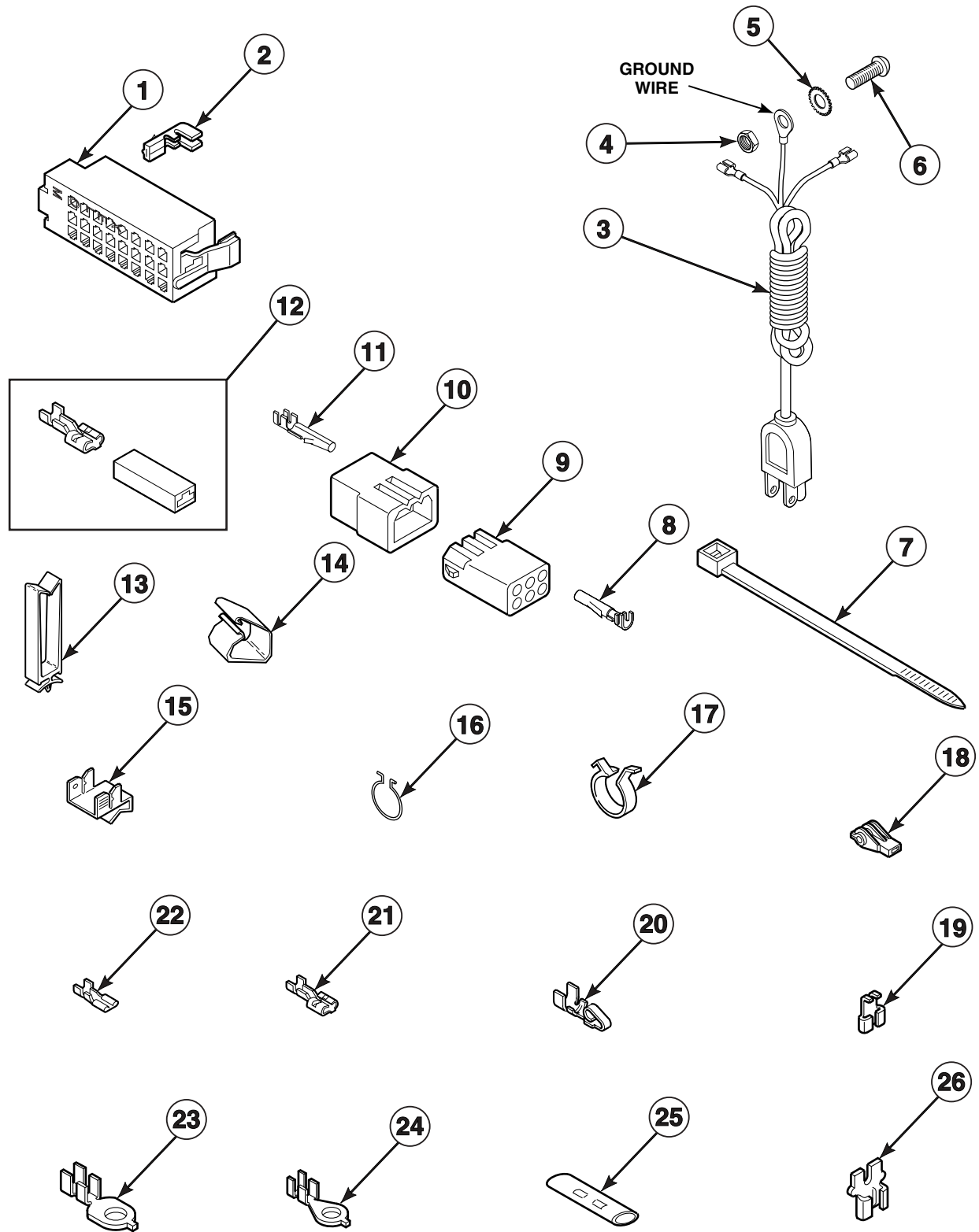


W134PZ3B_35383

Mixing Valve and Motor Disconnect Blocks, Terminals and Terminal Extractor Tool

REF	PART NO.	DESCRIPTION	COMMENTS
1	34677	Molex Housing	Motor
2	00188	Molex Terminal	For one or two wire application
3	00121	Spade Terminal	1/4 inch
4	34675	Amp Housing	Mixing Valve, Natural
	34676	Amp Housing	Mixing Valve, Red
5	283P4	Terminal Extractor Tool	

Power Cord and Terminals



W135PZ3A_35383

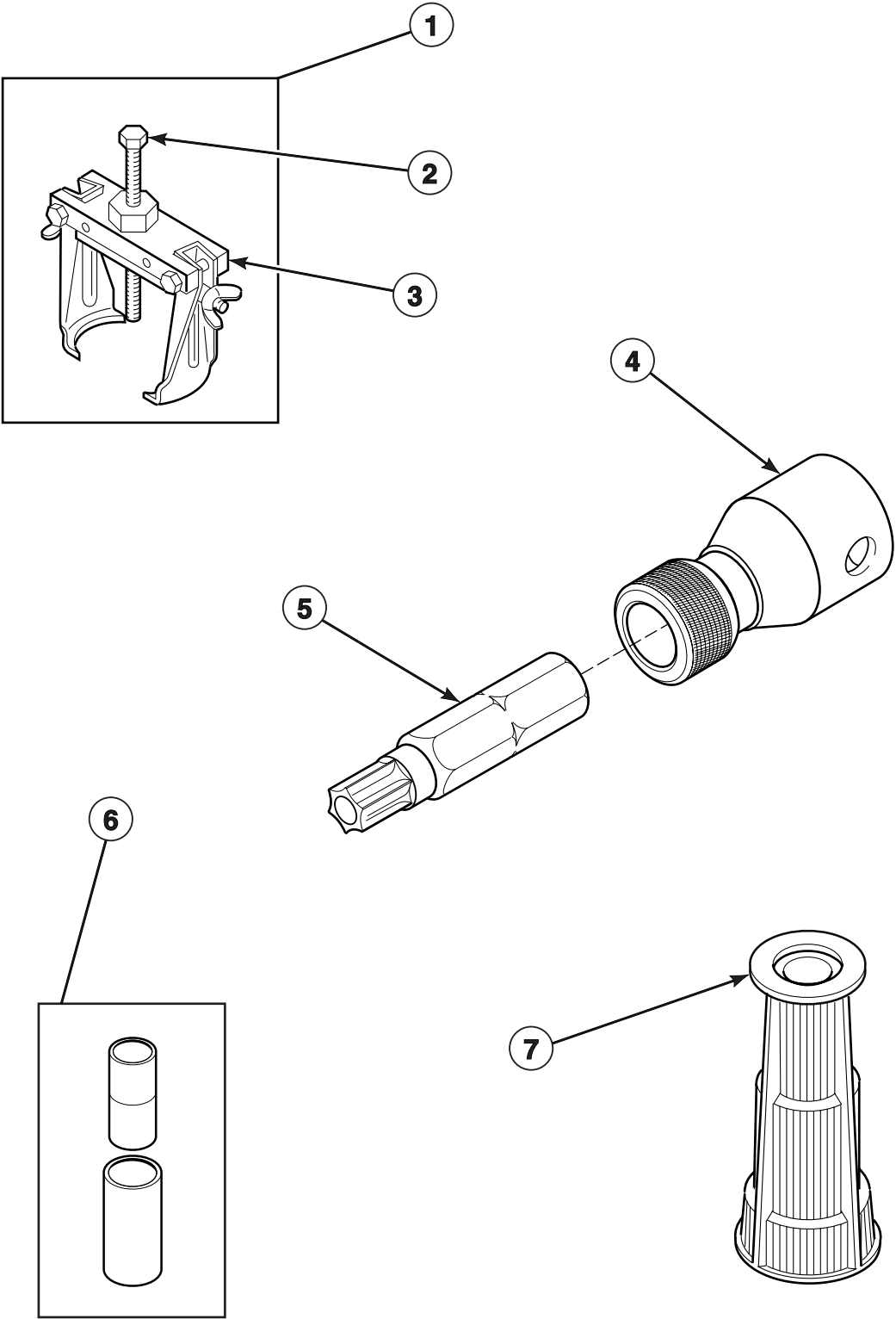
Power Cord and Terminals

REF	PART NO.	DESCRIPTION	COMMENTS
1	32746	Molex Housing	Right Hand
	34123	Molex Housing	Left Hand
2	00188	Molex Terminal	Used for one or two wire application
3	34458	Power Cord	Models EA2011*, EA2020*, EA2021*, EA2311*, EA2820*, EA2821*, EA2920* and EA2921*
	39404	Power Cord	All other models
4	03673	Nut	
5	03815	Lockwasher	
6	20267	Screw	
7	55881	Wire Tie	
8	00117	Terminal	Male
9	26301	Terminal Block	1 circuit
	26708	Terminal Block	6 circuit
	26163	Terminal Block	9 circuit
10	26302	Terminal Block	1 circuit
	23041	Terminal Block	6 circuit
	23033	Terminal Block	9 circuit
11	00116	Terminal	Male
12	00234	Terminal and Housing Assembly	
13	36274	Harness Clip	
14	N/A	Harness Clip	
15	00161	Ground Clip	
16	51291	Wire Clip	
17	504034	Wire Clip	
18	70210	Plastic Insulator	
19	00120	Right Angle	Flag Terminal
20	N/A	Spade Terminal	Female - 1/4 inch
21	00223	Spade Terminal	Large Spade
22	00112	Spade Terminal	Small Spade
23	00113	Eyelet Terminal	1/4 Inch Ring
24	00110	Eyelet Terminal	Small Shank
25	21091	Connector	
26	29673	Double Connector	

* Add Letter To Designate Color. L - Almond W - White

N/A = Part no longer available

Special Tools

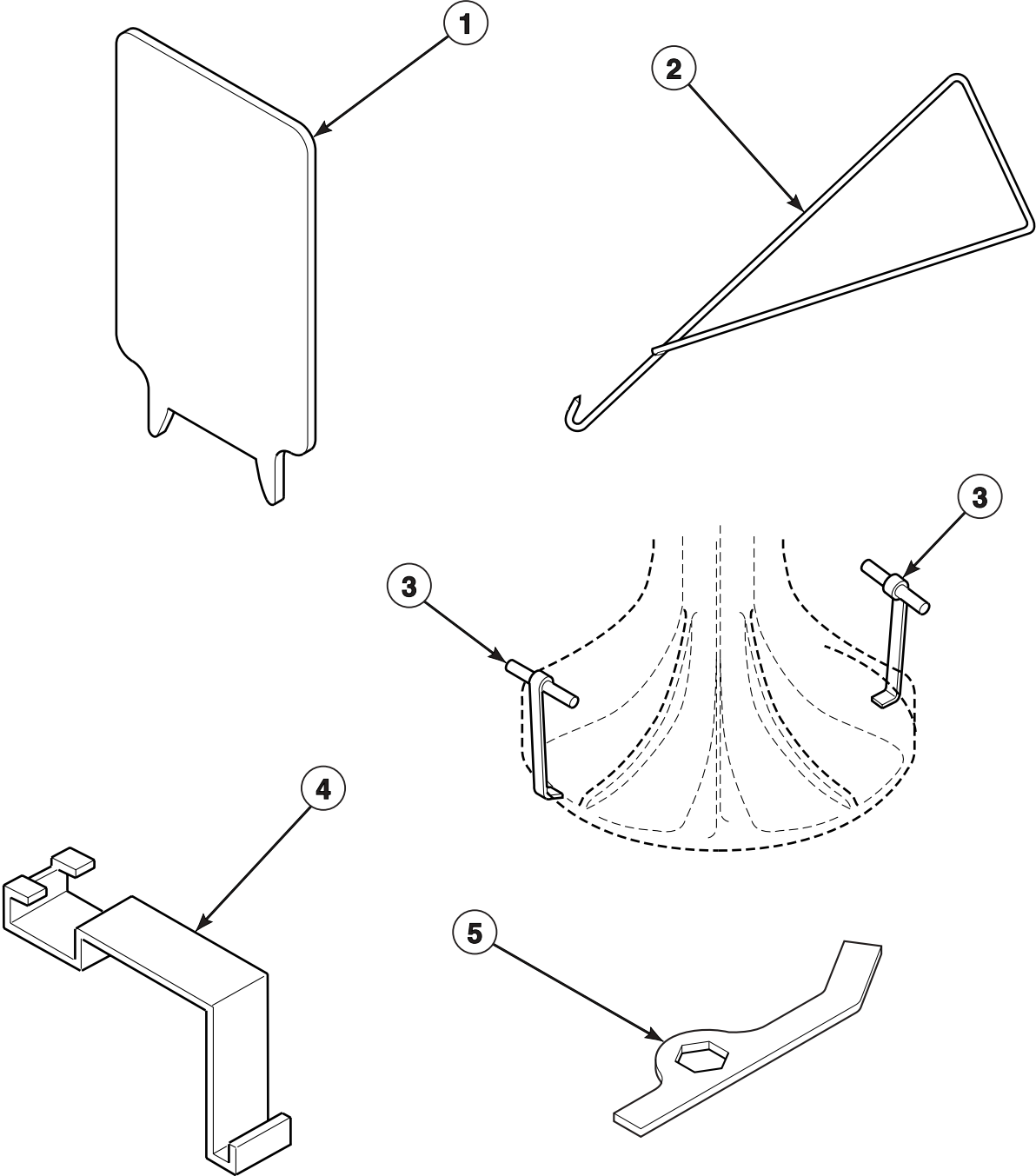


W399PZ3A_35383

Special Tools

REF	PART NO.	DESCRIPTION	COMMENTS
1	294P4	Bell Tool	Replaces Bell Tool, Part No. 253P4. For removal and installation of drive bell to transmission shaft.
2	294P4B	Drive Bell Bolt	Use to update 253P4 Bell Tool.
3	294P4A	Drive Bell Arms	Use to update 253P4 Bell Tool.
4	24161	Torx Bit Holder	3/8-inch Drive
5	281P4	T15 Tamper Resistant Bit	For removal and installation of Control Hood Security Screws.
	282P4	T25 Tamper Resistant Bit	For removal and installation of Pump and Front Panel Attached Screws.
6	242P4	Brake Spring Installer	Use to install brake spring.
7	293P4	Seal Tool	For installation of 36425 Seal.

Special Tools



W137PZ3B_35383

Special Tools

REF	PART NO.	DESCRIPTION	COMMENTS
1	272P4	Lid Switch Tool	Use for installing Lid Switch for models using 33440 Switch Holder.
2	321P4	Spring Hook	Use for removal and installation of Centering Springs on outer tub.
3	254P4	Agitator Hooks	Use to remove Agitator from Drive Bell. Set of two.
4	273P4	Outer Tub Cover and Gasket Tool	Use to remove 36025P Outer Tub Cover from Outer Tub and install 32857 Gasket in Outer Tub Cover.
5	306P4	Hex Wrench	Use to remove Hex Locknut from Washtub Hub.

Wire Harnesses and Wires

PART NO.	DESCRIPTION	COMMENTS
36278	Base Harness	
39811	Timer Harness	Model EA2011*
34092	Timer Harness	Models EA2020* and EA2021*
39806	Timer Harness	Models EA2110*, EA2111*, EA2210* and JA0110*T
29281	Timer Harness	Models EA2120*, EA2121*, EA2220* and EA2221*
32477	Timer Harness	Model EA2311*
34175	Timer Harness	Models EA2520*, EA2521*, EA2620*, EA2621* and EA2721*
34239	Timer Harness	Models EA2610* and EA2710*
33805	Hood Harness	Models EA2020* and EA2021*
33758	Hood Harness	Models EA2120*, EA2121*, EA2220*, EA2221*, EA2520*, EA2521* and EA2721*
36261	Hood Harness	Models EA2610* and EA2710*
36262	Hood Harness	Models EA2620* and EA2621*
36093	Hood Harness	Models EA2820*, EA2821*, EA2920* and EA2921*
N/A	Hood Harness	All other models
36094	Meter Case Harness	Models EA2820*, EA2821*, EA2920* and EA2921*
45001	18 Gauge Wire	Black; Order wire by foot and terminals and connectors as required
45380	12 Gauge Wire	Orange; Order wire by foot and terminals and connectors as required

* Add Letter To Designate Color. L - Almond W - White

N/A = Part no longer available

NOTE: Individual wires are not available separately. Order complete wire harness, or order wire by the foot. When applying terminals to wires, it is recommended that the terminals be soldered to the wires.

Parts Index

A

Actuator	
36164	11
Actuator Arm	
33441	25
Actuator Support	
36163	11
Agitator	
33513	31
Agitator Hooks	
254P4	51
Agitator Pinion	
27003	41
Amp Housing	
34675	45
34676	45
Anti-Seize Compound	
27604P	39

B

Backflow Preventer	
34500	29
Balance Ring	
34731	39
Base Assembly	
34434	43
Base Harness	
36278	52
Bearing	
28944R	37
Bearing Housing Assembly	
27182	39
35746	37
Bell Tool	
294P4	49
Belt	
27155	27
28808	27
Bolt	
29651	7, 9
Brace	
35097	43
Bracket	
35525	7, 9, 13
36036	43
36037	43
Brake Assembly	
38505P	37
Brake Pad Kit	
548P3	37
Brake Spring Installer	
242P4	49
Bumper	
21685	23
32648	15, 17, 19, 21
Bumper Pad	
36226	43

56128	43
Bushing	
36474	23

C

Cabinet Assembly	
38612*P	13, 43
Cabinet Top	
36120*P	13, 21, 23
36122*P	13, 21, 23
36271*P	23
36273*P	23
Cap Screw	
02916	5, 15, 17, 19, 21
27202	31
36991	39
Capacitor Kit	
258P3	27
Carriage Bolt	
02505	5, 7, 9, 13
Centering Spring	
35947	33
Clip	
28849	27
33433	25
Clips	
21036	33
Clothes Guard	
32990	31
Clutch	
29503	7, 9
Coin Drop Assembly	
39873	13
Coin Drop Front Plate	
201191	13
Coin Funnel Kit	
523P3	7, 9
Connector	
21091	47
Control and Shield	
38188	21
Control Hood	
37075*	15, 17, 19, 21
Control Hood Rear Cover	
38267	15, 17, 19
Control Hood Rear Panel	
38267	21
Control Knob Assembly	
39897	15, 17, 19
Control Panel Frame	
36097*	21
36521*	15, 17, 19
Control Panel Overlay	
32460	15
32472	15
32479	17
34699	19
34700	19
39096	21

Counter Kit	
62113P	7

D

Director Bracket	
36034	23
Double Connector	
29673	47
Dowel Pin	
27172	41
Drain Hose	
28293	35
Drain Hose Elbow	
35766	35
Drive Bell and Seal Kit	
39508	31
Drive Bell Arms	
294P4A	49
Drive Bell Bolt	
294P4B	49
Drive Pinion	
36562	41

E

Electronic Control and Bracket	
33422	17
Eyelet Terminal	
00110	47
00113	47

F

Fill Hose	
38155	29
Flinger	
27187	39
Front Panel	
34656*P	43

G

Gasket	
26354	13
27125	31
28094	31
32857	33
34338	23
35526	7, 9, 13
Grommet	
29175	33
Ground Clip	
00161	47
Guide Lug	
28102	43
56079	43

H

Harness Clip	
36274	47
Helix	
27018	37
Helper Spring	
30620	27
Hex Wrench	
306P4	51
Hinge	
27103	43
36437	23
36438	23
Hold-Down Clip	
35865	43
Hood Harness	
33758	52
33805	52
36093	52
36261	52
36262	52
Hose Clamp	
20211	35
20391	35
29210	29
36801	29
36802	35
Hose Clip	
39177	35
Hose Coupler	
25863	35
Hose Support	
35487	35
Hose Washer	
20290	29
Hub and Seal Kit	
495P3	31

I

Idler Lever	
31054	27
Idler Pulley	
28800	27
Idler Shaft	
28802	27
Indicator Light	
32422	17
32463	15, 19
32464	15, 19
32465	17
32466	15, 19
Inlet Hose Assembly	
28330P	29
Input Shaft	
34853	41
Internal Gear	
26577	41

K

Knurled Nut	
24205	15, 17, 19

L

Leg Plate	
27926	33
Leveling Leg	
34319	43
Leveling Leg and Stabilizing Bar Assembly	
34443	43
Lever	
33442	25
Lid Switch Tool	
272P4	51
Loading Door	
200893*	23
33845*P	23
Locking Bracket	
30642	7, 9, 13
Locking Rod	
501365	13
Locknut	
21899	43
23951	17
28803	27
29220	31
29786	5, 7, 9, 13
52566	15, 19, 21, 27
Lockwasher	
M400017	5, 15, 19, 21
02431	5, 15, 17, 19, 21
03815	17, 47
21456	41
21734	5
91093	17
91176	15, 17, 19

M

Magnet	
501453	9, 13
Meter Case	
38542*P	13, 21
524P3*	7, 9, 15, 17
Meter Case Gasket	
26354	7, 9
Meter Case Harness	
36094	52
Mixing Valve Assembly	
34963	29
Mixing Valve Mounting Bracket	
39407	29
Molex Housing	
32746	47
34123	47
34677	45
Molex Terminal	
00188	45, 47

Motor Assembly	
35485	27
35486	27
Motor Mount	
34788	27
Motor Mount Post	
34791	27
Motor Pulley	
27104	27
Motor Shield	
34754	27
Motor Switch	
35632	27
Mounting Bracket	
35162	35
35867	43

N

Nut	
03673	17, 47
29796	7, 9
35322	19
35423	27
52566	5, 17

O

O-Ring	
36472	31
Outer Tub	
34439	33
Outer Tub Cover and Gasket Tool	
273P4	51
Outer Tub Cover Assembly	
36025P	33
Output Shaft	
36570	41

P

Pivot Dome	
34470	37
Plastic Boot	
36165	11
Plastic Insulator	
70210	47
Plug	
34153	23
36511	31
Power Cord	
34458	47
39404	47
Pressure Bulb	
30907	33
Pressure Hose	
39124	33
39125	33
Pressure Switch	
35889	15, 17, 19, 21

Printed Circuit Board	
34522	19
Pulley Assembly	
34923	37
Pump Assembly	
31969	35
Pump-to-Elbow Hose	
27161	35
Push-on Clip	
34762	19
Push-to-Start Sticker	
53738	5

R

Rack	
31526	41
Reduction Gear	
29161	41
Retainer Nut	
27222	23, 39
30647	7, 9, 13
Retainer Ring	
23748	27
27197	41
Right Angle	
00120	47
Rivet	
56534	23
Roll Pin	
10416	27
Rubber Foot	
34318	43

S

Screw	
03814	17
03950	11
20267	17, 47
21720	7, 9
23222	15, 17, 19, 21
23962	5, 15, 17, 19, 21, 25, 29, 43
27196	43
27220	37
27328	5
29273	41
31098	35
31260	9
32649	17
32814	41
33562	29
34337	23
35148	43
35369	33, 37
35527	43
35528	15, 17, 19, 21
36048	7, 9, 13
36166	11
36510	25
36639	27
39733	43
500226	15, 17, 19, 21
501524	21

503661	27, 35
503673	7, 9, 13, 23
51778	5
51780	43
52909	23, 35
80399	5
Screw and Lockwasher	
23008	23
Seal	
36425	31
Seal Tool	
293P4	49
Sealant	
37577	41
Service Door	
35798*	7, 9, 13
Setscrew	
20310	17, 19
Shoulder Bolt	
27229	27
Shoulder Screw	
39432	31
502431	7, 9
Silicone Lubricant	
26594	37
Siphon Break Kit	
562P3	35
Slide	
26493	41
Slide Extension	
501483	11
Snubber Pad and Isolator Assembly	
36108	43
Spade Terminal	
00112	47
00121	45
00223	47
Special Screw	
27030	41
Speed Nut	
36020	23
Speed Switch	
27762	15
Splined Insert	
29728	31
Spring	
33435	37
33443	25
37366	27
Spring Hook	
321P4	51
Sticker	
500049	33
505281	23
Strain Relief	
21903	23
Support	
34896	19
Support Leg	
34792	37
Switch	
27762	19
33445	25
33527	25
34536	9

34599	9, 13
504570	13
81799	17, 19
Switch Holder Kit	
36497P	25

T

Terminal	
00116	47
00117	47
Terminal and Housing Assembly	
00234	47
Terminal Block	
23033	47
23041	47
26163	47
26301	47
26302	47
26708	47
Terminal Extractor Tool	
283P4	45
Timer Assembly	
28716	5
31111	7
34601	7
34602	7, 9
Timer Bracket	
35249	7, 9, 11
Timer Case	
37733W	15
37733*	5
Timer Harness	
29281	52
32477	52
34092	52
34175	52
34239	52
39806	52
39811	52
Timer Knob Assembly	
26256	5
Timer Plate	
31864W	5
Torx Bit Holder	
24161	49
Transmission Assembly	
34526	39
Transmission Case Assembly	
33223	41
Transmission Cover Assembly	
38290	41
Transmission Oil	
27243	41
Transmit Light	
34701	19
Tub-to-Pump Hose	
35754	35
T15 Tamper Resistant Bit	
281P4	49
T25 Tamper Resistant Bit	
282P4	49

W

Wash Temperature Switch	
81799	15
Washer	
23225	5
26509	37, 41
27015	37
29260	41
29443	27
30627	5
35092	41
35321	19
35535	37
35774	7, 9, 13, 23
35917	7, 9, 13, 23
52549	27
81392	27
Washtub	
38668P	31
39387P	31
Wire Clip	
504034	47
51291	47
Wire Tie	
55881	47
Wire, 12 Gauge	
45380	52
Wire, 18 Gauge	
45001	52
