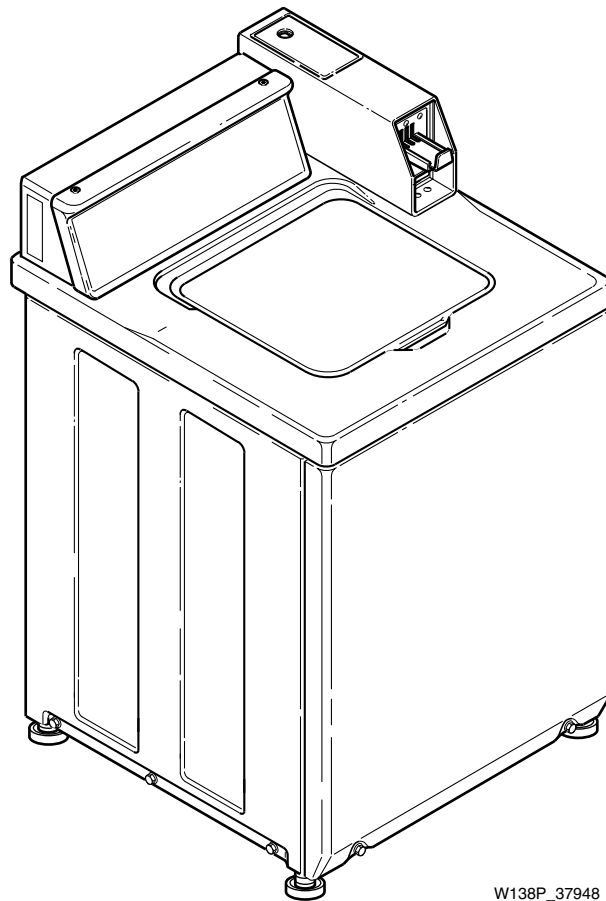


# Automatic Washers

Refer to Page 3 for Model Numbers



W138P\_37948



# Table of Contents

Title	Page
Parts Ordering Information.....	2
Nameplate Location.....	2
Model Identification.....	3
Timer, Case and Plate.....	4
Timer Case.....	6
Timer, Meter Case and Service Door.....	8
Timer, Meter Case and Service Door.....	10
Coin Drop, Meter Case and Service Door.....	12
Security Case, Service Door and Circuit Board.....	14
Security Case, Service Door and Card Reader.....	16
Control Panel, Control Hood and Controls.....	18
Control Panel, Control Hood and Controls.....	20
Control Panel, Control Hood and Controls.....	22
Cabinet Top and Loading Door.....	24
Out-of-Balance Switch.....	26
Motor, Mounting Bracket, Belt, Pump and Idler Assembly.....	28
Inlet Hose, Fill Hose and Mixing Valve and Mounting Bracket.....	30
Agitator, Drive Bell, Seal Kit, Washtub and Hub.....	32
Outer Tub, Cover and Pressure Hose.....	34
Transmission Assembly and Balance Ring.....	36
Transmission Assembly.....	38
Drain Hose, Strain Relief and Sleeve.....	40
Hoses and Siphon Break Kit.....	42
Bearing Housing, Brake, Pulley and Pivot Dome.....	44
Front Panel, Base Assembly and Cabinet Assembly.....	46
Mixing Valve and Motor Disconnect Blocks, Terminals and Terminal Extractor Tool.....	48
Power Cord and Terminals.....	50
Special Tools.....	52
Special Tools.....	54
Wire Harnesses and Wires.....	56
Parts Index.....	57

© Copyright 2003, Alliance Laundry Systems LLC

All rights reserved. No part of the contents of this book may be reproduced or transmitted in any form or by any means without the expressed written consent of the publisher.

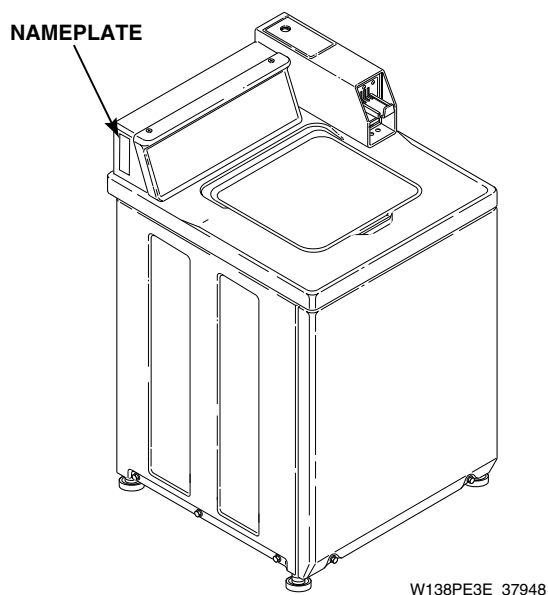
## Parts Ordering Information

If literature or replacement parts are required, contact the source from whom the machine was purchased or contact Alliance Laundry Systems at (920) 748-3950 for the name and address of the nearest authorized parts distributor.

For technical assistance, call (920) 748-3121.

## Nameplate Location

When calling or writing about your product, be sure to mention model and serial numbers. Model and serial numbers are located on nameplate(s) as shown.



## Model Identification

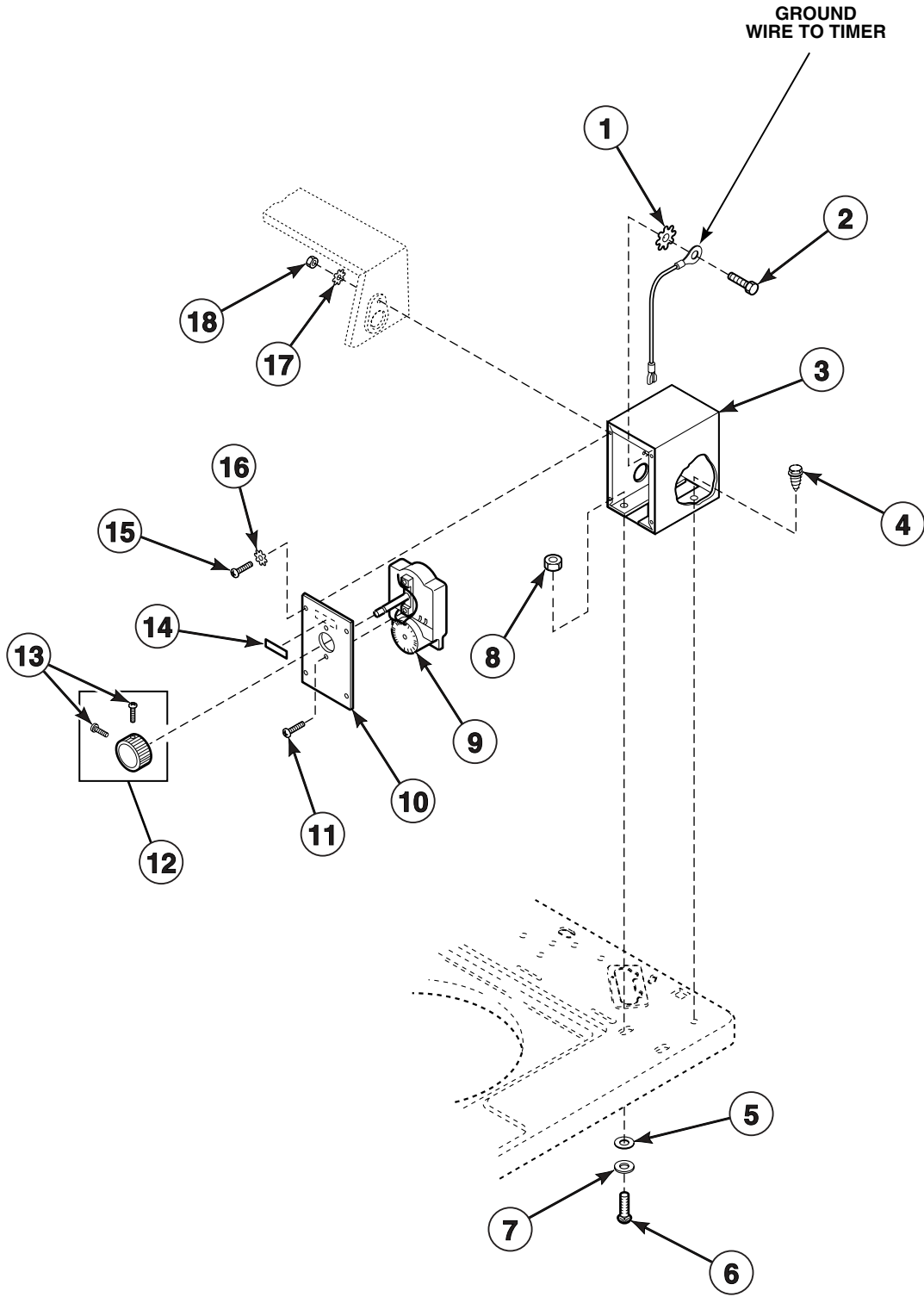
Information in this manual is applicable to these washer models:

EAJ920*A	EA2111*A	EA2520*A	EA2721*A	EA3821*A
EAJ921*A	EA2120*A	EA2521*A	EA2820*A	EA3920*A
EA2011*A	EA2121*A	EA2610*A	EA2821*A	EA3921*A
EA2020*A	EA2210*A	EA2620*A	EA2920*A	JA0110*
EA2021*A	EA2220*A	EA2621*A	EA2921*A	ZA3820*A
EA2110*A	EA2221*A	EA2710*A	EA3820*A	ZA3821*A

\* Add Letter To Designate Color. L - Almond W - White

# Timer, Case and Plate

Models EA2011\*A, EA2020\*A and EA2021\*A



W116PZ3D\_37948

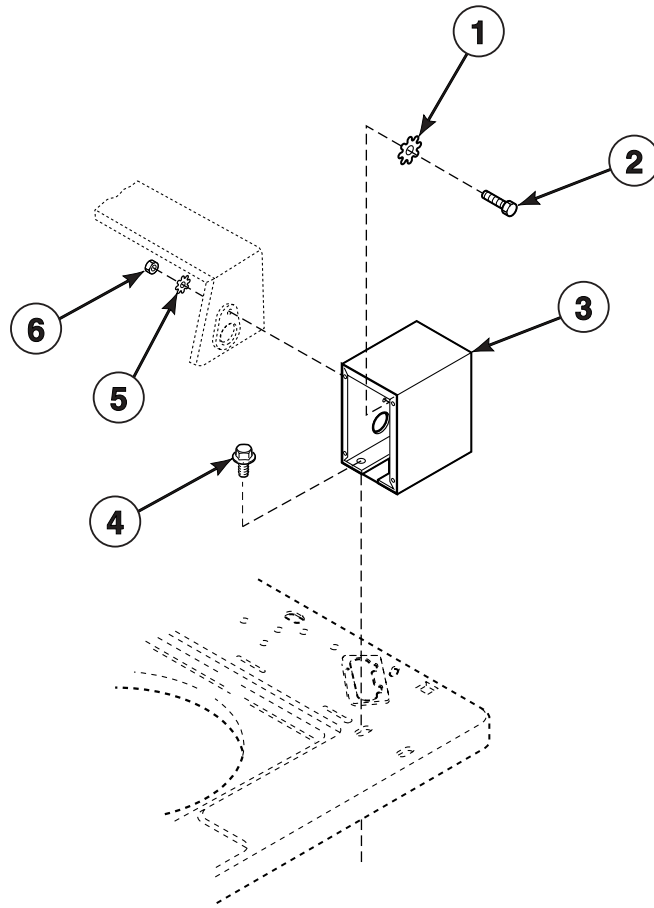
## Timer, Case and Plate

REF	PART NO.	DESCRIPTION	COMMENTS
1	M400017	Lockwasher	
2	02916	Cap Screw	
3	37733W	Timer Case	
4	23962	Screw	
5	23225	Washer	Vinyl
6	02505	Carriage Bolt	
7	30627	Washer	
8	29786	Nut	
9	28716	Timer Assembly	
10	31864W	Timer Plate	
11	27328	Screw	
12	26256	Timer Knob Assembly	
13	80399	Screw	
14	53738	Push-to-Start Sticker	
15	51778	Screw	
16	21734	Lockwasher	
17	02431	Lockwasher	
18	52566	Nut	

\* Add Letter To Designate Color. L - Almond W - White

# Timer Case

Models EAJ920\*A and EAJ921\*A



W017BE3C\_37948



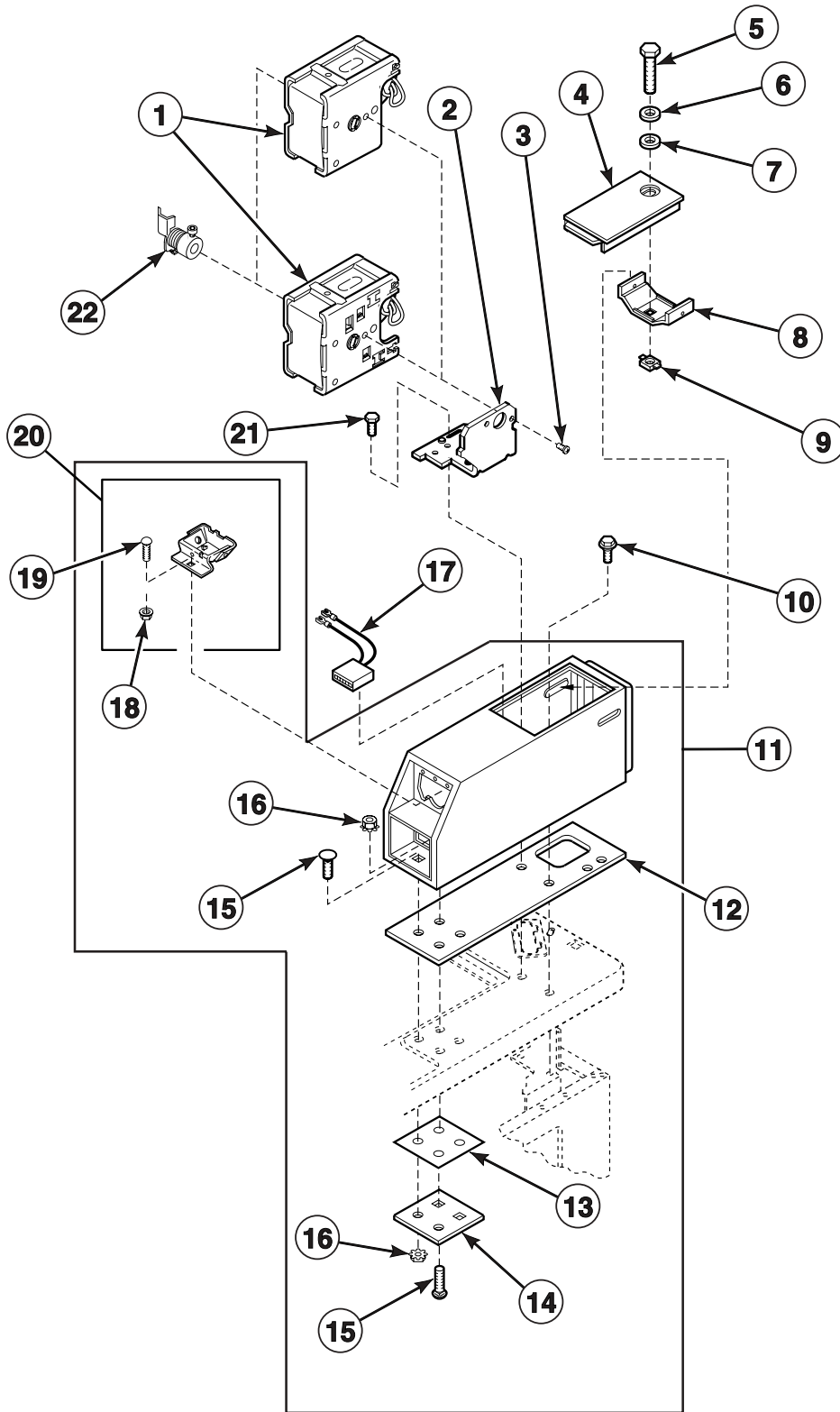
# Timer Case

REF	PART NO.	DESCRIPTION	COMMENTS
1	M400017	Lockwasher	
2	02916	Screw	
3	37733*	Timer Case	
4	36048	Screw	
5	02431	Lockwasher	
6	52566	Nut	

\* Add Letter To Designate Color. L - Almond W - White

# Timer, Meter Case and Service Door

Models EA2110\*A, EA2111\*A, EA2120\*A, EA2121\*A, EA2210\*A, EA2220\*A, EA2221\*A, EA2520\*A, EA2521\*A and JA0110\*



W117PZ3B\_37948

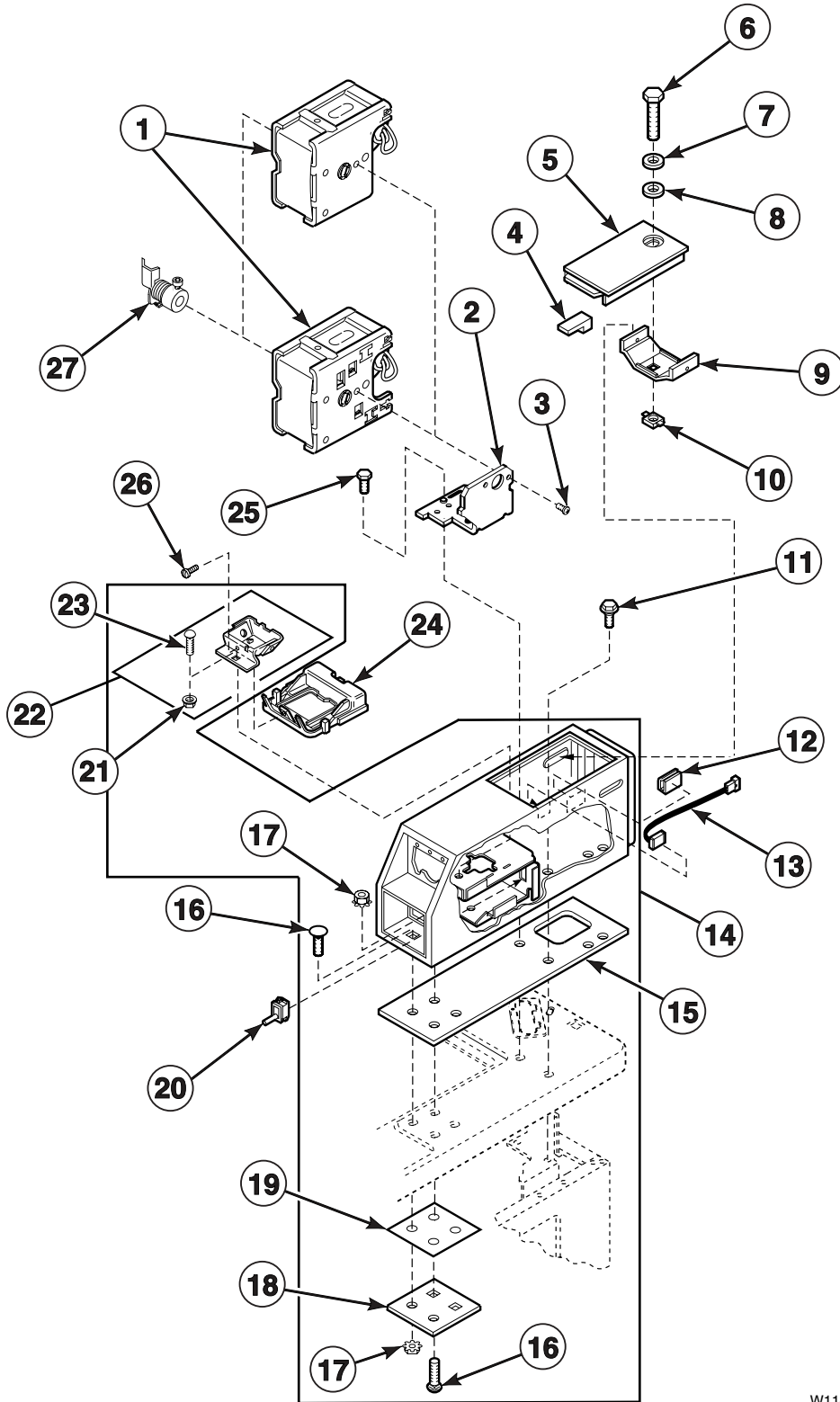
## Timer, Meter Case and Service Door

REF	PART NO.	DESCRIPTION	COMMENTS
1	31111P	Timer Assembly	Models EA2110*A, EA2111*A, EA2120*A, EA2121*A and JA0110*
	34601P	Timer Assembly	Models EA2210*A, EA2220*A and EA2221*A
	34602	Timer Assembly	Models EA2520*A and EA2521*A
2	35249	Timer Bracket	
3	21720	Screw	
4	35798*	Service Door	
5	503673	Screw	
6	35917	Washer	Metal
7	35774	Washer	Vinyl
8	30642	Locking Bracket	
9	30647	Retainer Nut	
10	502431	Shoulder Screw	
11	524P3*	Meter Case	Includes items 12, 13, 14, 15, 16, 18, 19 and 20
12	26354	Meter Case Gasket	
13	35526	Gasket	
14	35525	Bracket	
15	02505	Carriage Bolt	
16	29786	Nut	
17	62113P	Counter Kit	Models EA2520*A and EA2521*A
18	29796	Nut	
19	29651	Bolt	
20	523P3	Coin Funnel Kit	
21	36048	Screw	
22	29503	Clutch	

\* Add Letter To Designate Color. L - Almond W - White

# Timer, Meter Case and Service Door

Models EA2610\*A, EA2620\*A, EA2621\*A, EA2710\*A and EA2721\*A



W118PZ3B\_37948

## Timer, Meter Case and Service Door

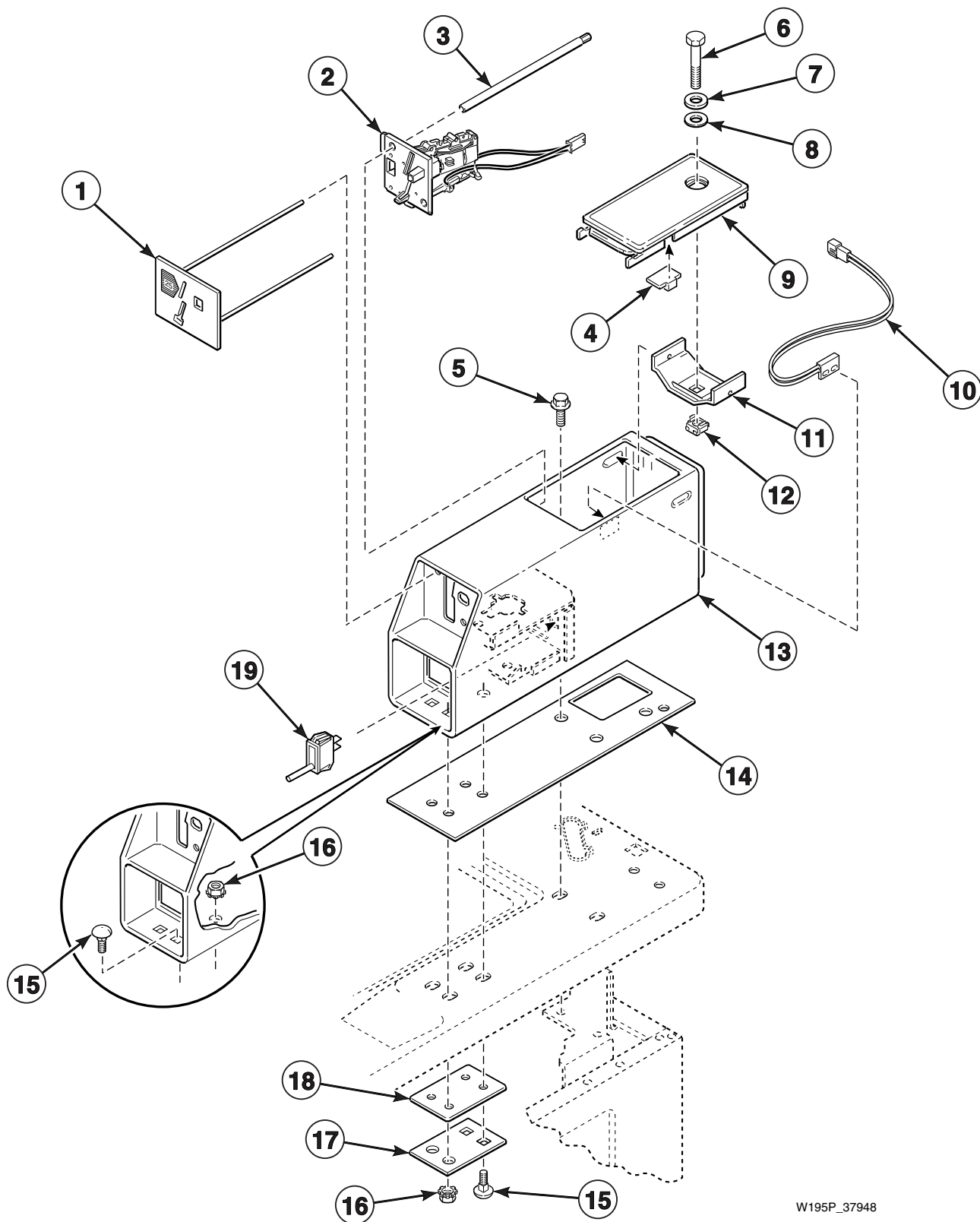
REF	PART NO.	DESCRIPTION	COMMENTS
1	34602	Timer Assembly	Models EA2610*A, EA2620*A and EA2621*A
	N/A	Timer Assembly	Models EA2710*A and EA2721*A
2	35249	Timer Bracket	
3	21720	Screw	
4	501453	Magnet	
5	35798*	Service Door	
6	503673	Screw	
7	35917	Washer	Metal
8	35774	Washer	Vinyl
9	30642	Locking Bracket	
10	30647	Retainer Nut	
11	502431	Shoulder Screw	
12	N/A	Wire Harness Clip	
13	34599	Switch	
14	524P3*	Meter Case	Includes items 15, 16, 17, 18, 19, 21, 22 and 23
15	26354	Meter Case Gasket	
16	02505	Carriage Bolt	
17	29786	Locknut	
18	35525	Bracket	
19	35526	Gasket	
20	34536	Switch	
21	29796	Nut	
22	523P3	Coin Funnel Kit	
23	29651	Bolt	
24	35026	Sensor Control	
25	36048	Screw	
26	31260	Screw	
27	29503	Clutch	

\* Add Letter To Designate Color. L - Almond W - White

N/A = Part no longer available

# Coin Drop, Meter Case and Service Door

Models EA2820\*A, EA2821\*A, EA2920\*A and EA2921\*A



W195P\_37948

## Coin Drop, Meter Case and Service Door

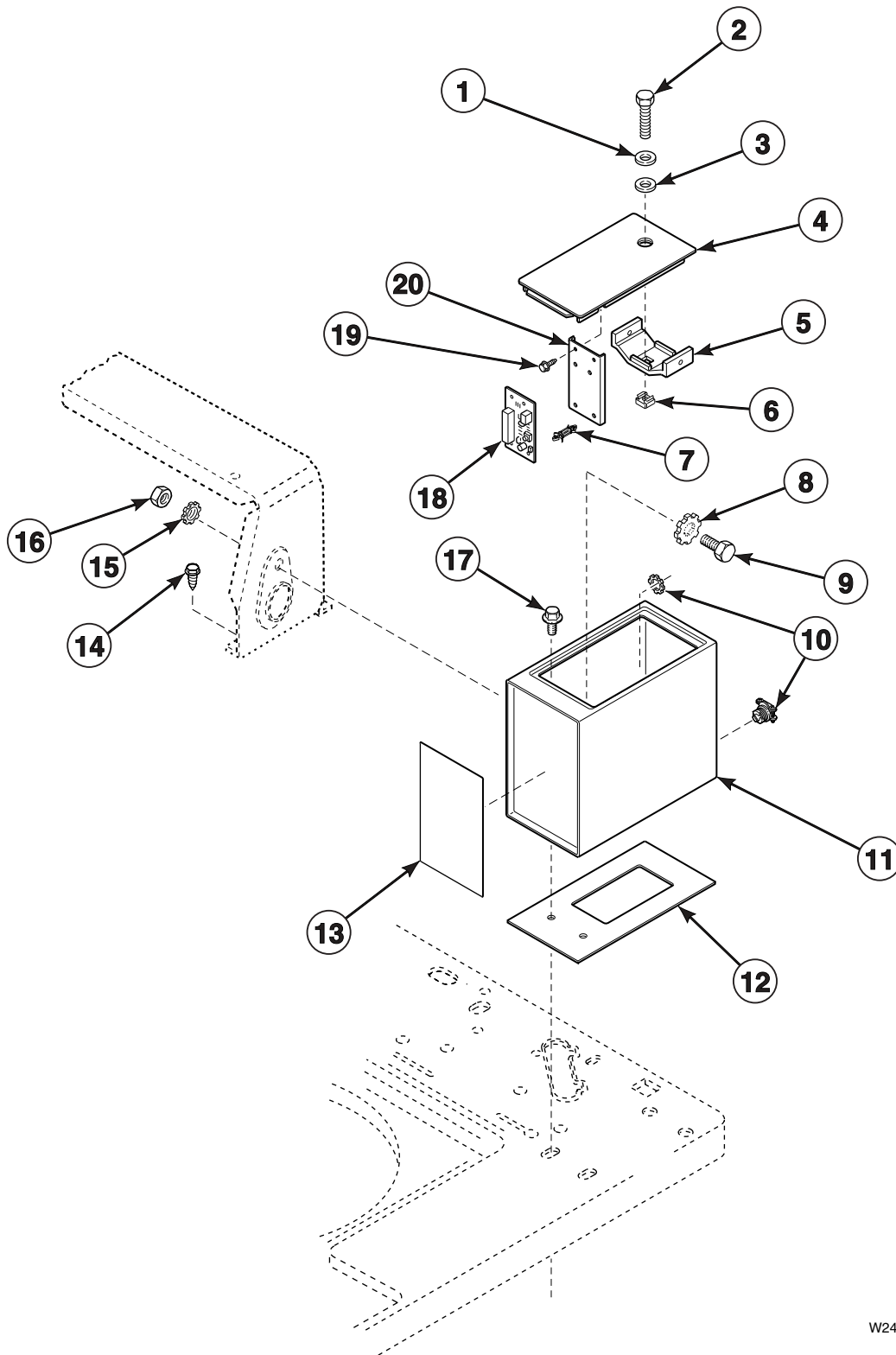
REF	PART NO.	DESCRIPTION	COMMENTS
1	201191	Coin Drop Front Plate	
2	39873	Coin Drop Assembly	
3	501365	Locking Rod	
4	501453	Magnet	
5	36048	Screw	
6	503673	Screw	
7	35917	Washer	Metal
8	35774	Washer	Vinyl
9	35798*	Service Door	
10	34599	Switch	
11	30642	Locking Bracket	
12	30647	Retainer Nut	
13	38542*P	Meter Case	
14	26354	Gasket	
15	02505	Carriage Bolt	
16	29786	Locknut	
17	35525	Bracket	
18	35526	Gasket	
19	504570	Switch	

\* Add Letter To Designate Color. L - Almond W - White

N/A = Part no longer available

# Security Case, Service Door and Circuit Board

Models EA3920\*A and EA3921\*A



W245PZ3B\_37948



## Security Case, Service Door and Circuit Board

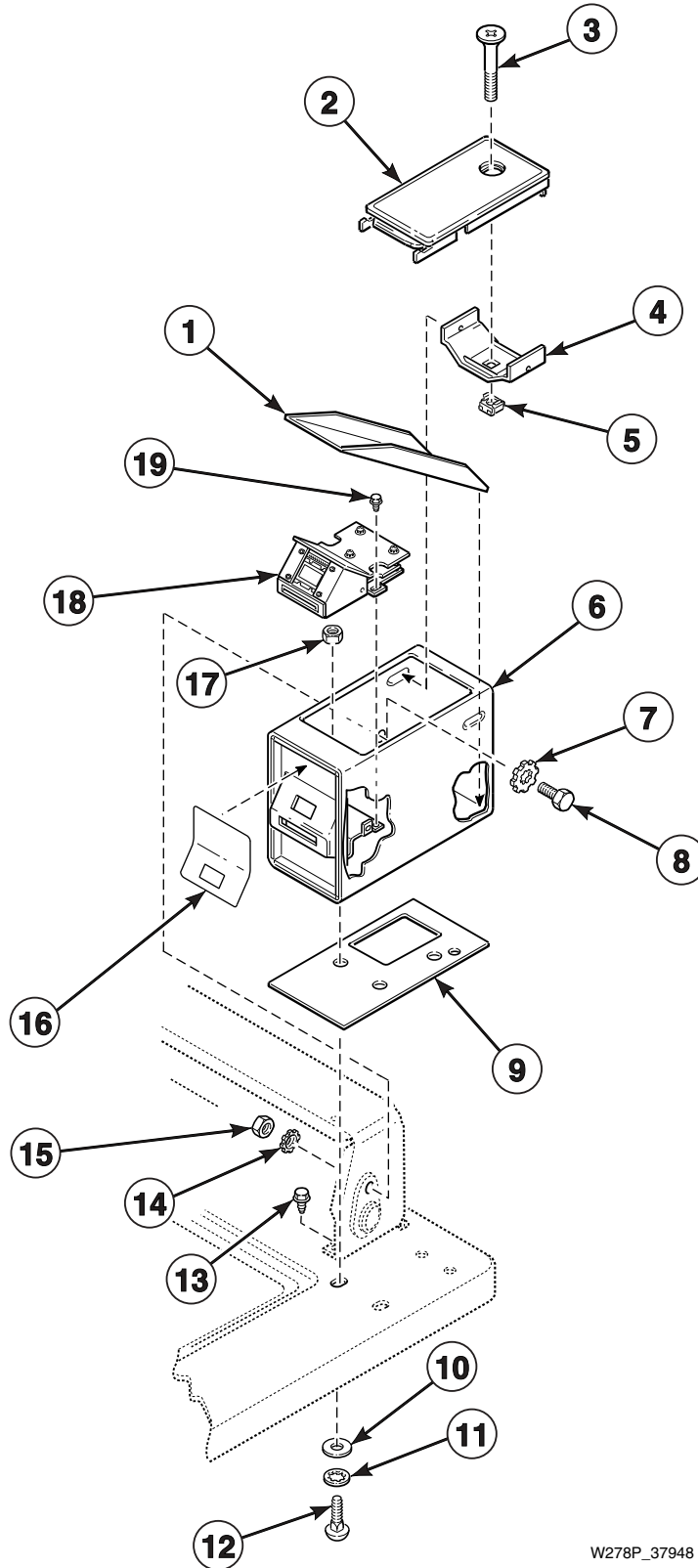
REF	PART NO.	DESCRIPTION	COMMENTS
1	35917	Washer	Metal
2	503673	Screw	
3	35774	Washer	Vinyl
4	35798*	Service Door	
5	30642	Locking Bracket	
6	30647	Retainer Nut	
7	501523	Support	
8	M400017	Lockwasher	
9	02916	Cap Screw	
10	M400149	Wire Connector	
11	N/A	Security Case	
12	37526	Gasket	
13	37589	Overlay	
14	23962	Screw	
15	02431	Lockwasher	
16	52566	Nut	
17	36048	Screw	
18	37386P	Circuit Board	
19	52909	Screw	
20	503017	Bracket	

\* Add Letter To Designate Color. L - Almond W - White

N/A = Part no longer available

# Security Case, Service Door and Card Reader

Models EA3820\*A, EA3821\*A, ZA3820\*A and ZA3821\*A



W278P\_37948

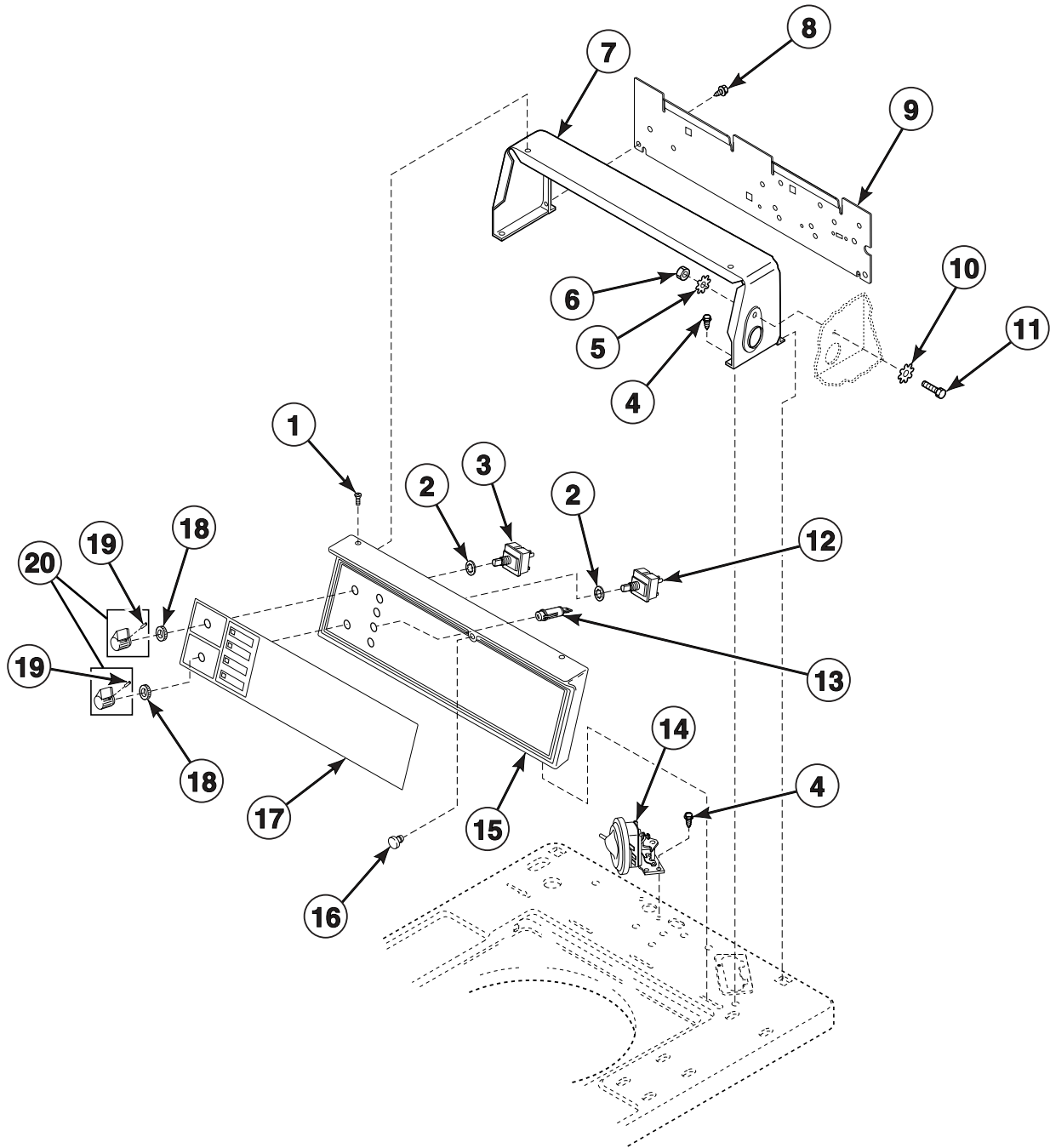
## Security Case, Service Door and Card Reader

REF	PART NO.	DESCRIPTION	COMMENTS
1	38754	Shield	
2	35798*	Service Door	
3	503673	Screw	
4	30642	Locking Bracket	
5	30647	Retainer Nut	
6	38145*	Security Case	
7	M400017	Lockwasher	
8	02916	Screw	
9	37526	Gasket	
10	23225	Washer	Vinyl
11	30627	Washer	
12	02505	Carriage Bolt	
13	23962	Screw	
14	02431	Lockwasher	
15	52566	Nut	
16	38192	Instruction Overlay	
17	29786	Nut	
18	39685	Card Reader	
19	501524	Screw	

\* Add Letter To Designate Color. L - Almond W - White

# Control Panel, Control Hood and Controls

Models EA2011\*A, EA2020\*A, EA2021\*A, EA2110\*A, EA2111\*A, EA2120\*A, EA2121\*A, EA2210\*A, EA2220\*A, EA2221\*A, EA2520\*A, EA2521\*A and JA0110\*



W119PZ3D\_37948

## Control Panel, Control Hood and Controls

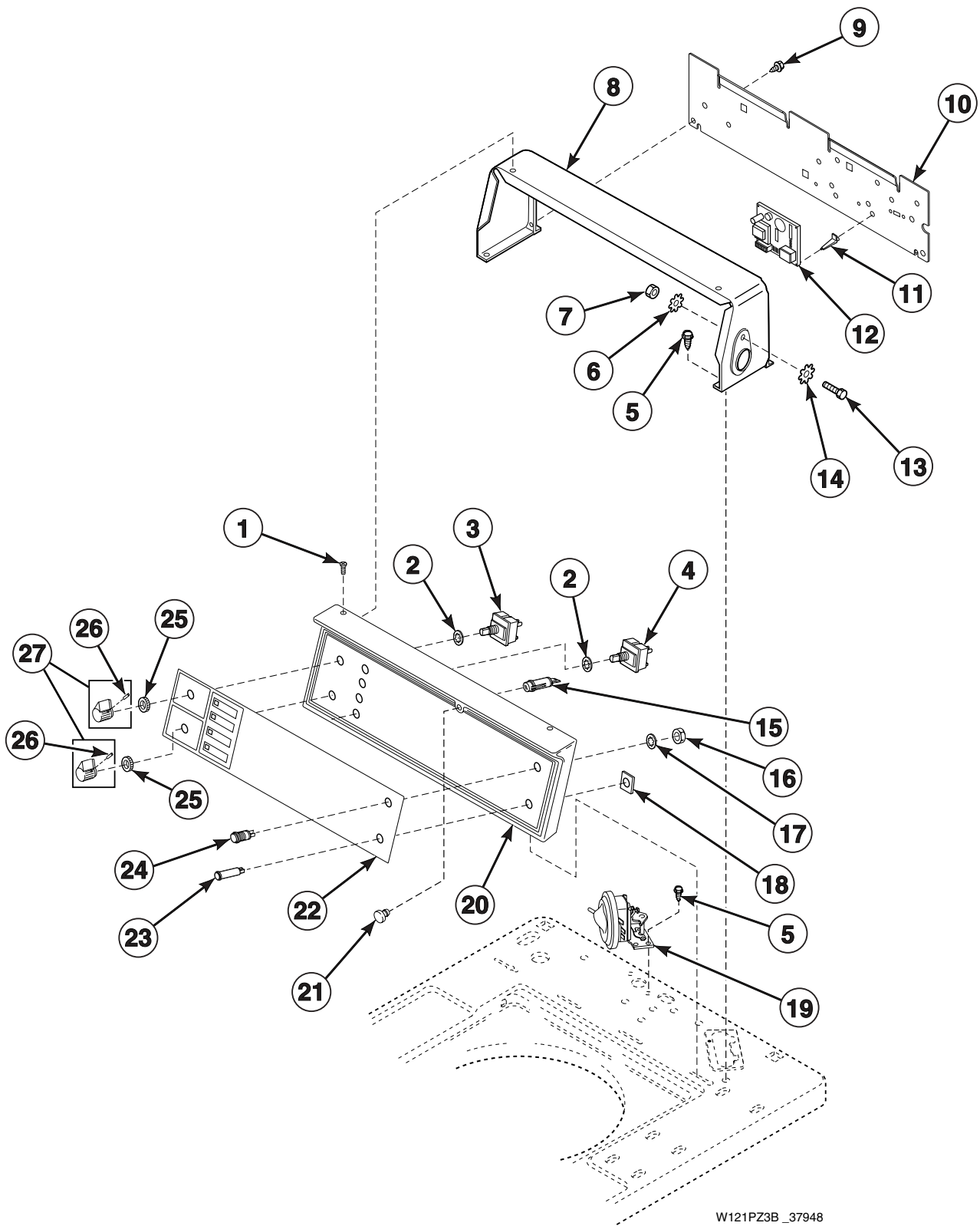
REF	PART NO.	DESCRIPTION	COMMENTS
1	500226	Screw	Phillips Head
	35528	Screw	Torx Head; Refer to <i>Special Tools</i> section for Torx Bit and Holder
2	91176	Lockwasher	
3	81799	Wash Temperature Switch	
4	23962	Screw	
5	02431	Lockwasher	
6	52566	Locknut	
7	37075*	Control Hood	
8	23222	Screw	
9	38267	Control Hood Rear Cover	
10	M400017	Lockwasher	
11	02916	Cap Screw	
12	27762	Speed Switch	Two Speed Models
13	32464	Indicator Light	4 Required; Models EA2011*A, EA2020*A and EA2021*A
	32463	Indicator Light	Unbalanced Load; All other models
	32466	Indicator Light	In Use; All other models
	32464	Indicator Light	Rinse or Spin; All other models
14	35889	Pressure Switch	
15	36521*	Control Panel Frame	
16	32648	Bumper	
17	32460	Control Panel Overlay	Models EA2011*A, EA2110*A, EA2111*A and EA2210*A
	32472	Control Panel Overlay	Models EA2020*A, EA2021*A, EA2120*A, EA2121*A, EA2220*A, EA2221*A, EA2520*A and EA2521*A
	N/A	Control Panel Overlay	Model JA0110*
18	24205	Knurled Nut	
19	N/A	Setscrew	
20	39897	Control Knob Assembly	

\* Add Letter To Designate Color. L - Almond W - White

N/A = Part no longer available

# Control Panel, Control Hood and Controls

Models EA2610\*A, EA2620\*A, EA2621\*A, EA2710\*A and EA2721\*A



W121PZ3B\_37948

## Control Panel, Control Hood and Controls

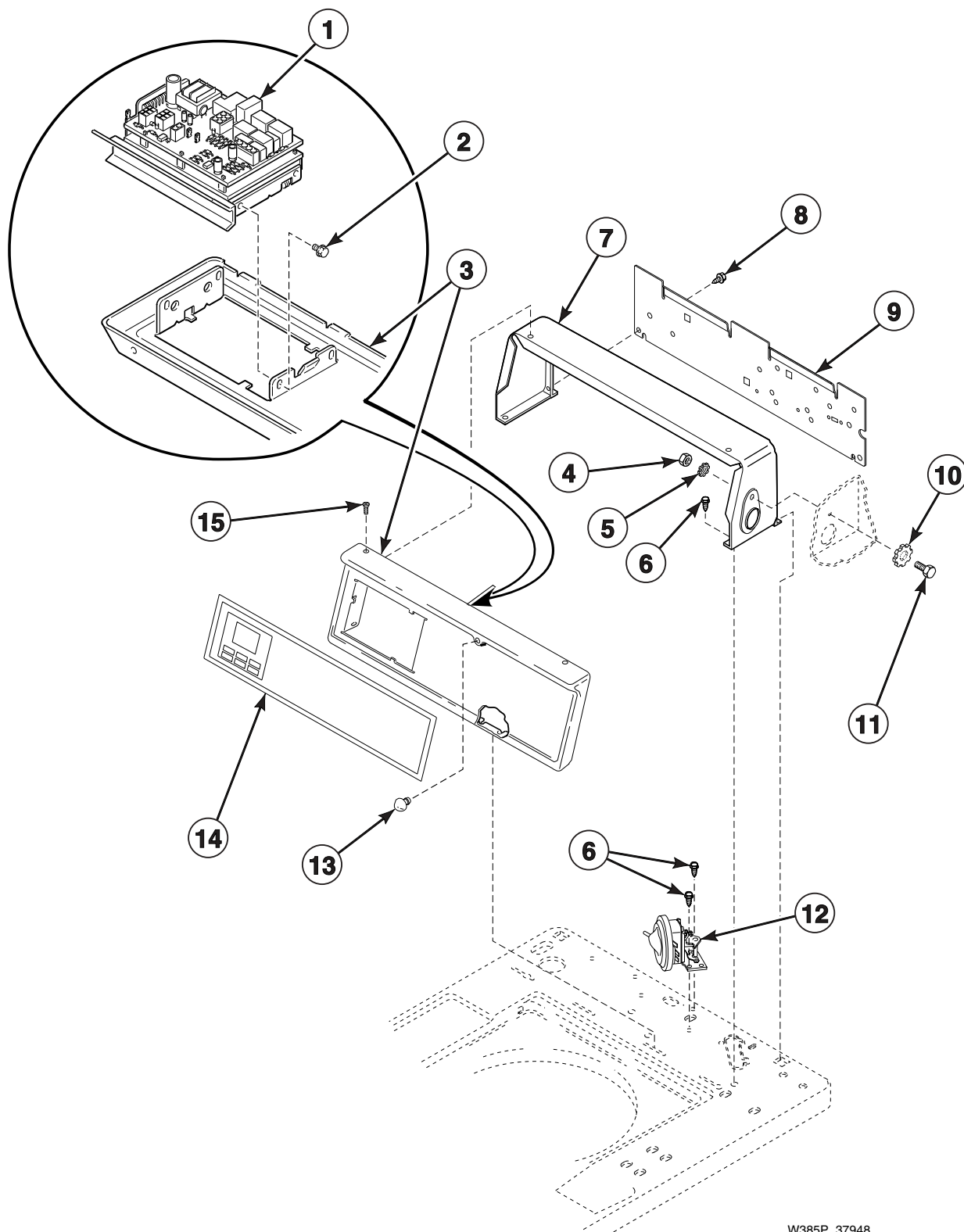
REF	PART NO.	DESCRIPTION	COMMENTS
1	500226	Screw	Phillips Head
	35528	Screw	Torx Head
2	91176	Lockwasher	
3	81799	Switch	
4	27762	Switch	
5	23962	Screw	
6	02431	Lockwasher	
7	52566	Locknut	
8	37075*	Control Hood	
9	23222	Screw	
10	38267	Control Hood Rear Cover	
11	34896	Support	
12	34522P	Printed Circuit Board	
13	02916	Cap Screw	
14	M400017	Lockwasher	
15	32463	Indicator Light	Unbalanced Load
	32466	Indicator Light	In Use
	32464	Indicator Light	Rinse or Spin
16	N/A	Nut	
17	N/A	Washer	
18	34762	Push-on Clip	
19	35889	Pressure Switch	
20	36521*	Control Panel Frame	
21	32648	Bumper	
22	34700	Control Panel Overlay	Models EA2610* and EA2710*
	34699	Control Panel Overlay	Models EA2620*, EA2621* and EA2721*
23	34701	Transmit Light	
24	N/A	Transmit Switch	
25	24205	Knurled Nut	
26	N/A	Setscrew	
27	39897	Control Knob Assembly	

\* Add Letter To Designate Color. L - Almond W - White

N/A = Part no longer available

# Control Panel, Control Hood and Controls

Models EAJ920\*A, EAJ921\*A, EA2820\*A, EA2821\*A, EA2920\*A, EA2921\*A, EA3820\*A, EA3821\*A, EA3920\*A, EA3921\*A, ZA3820\*A and ZA3821\*A



W385P\_37948

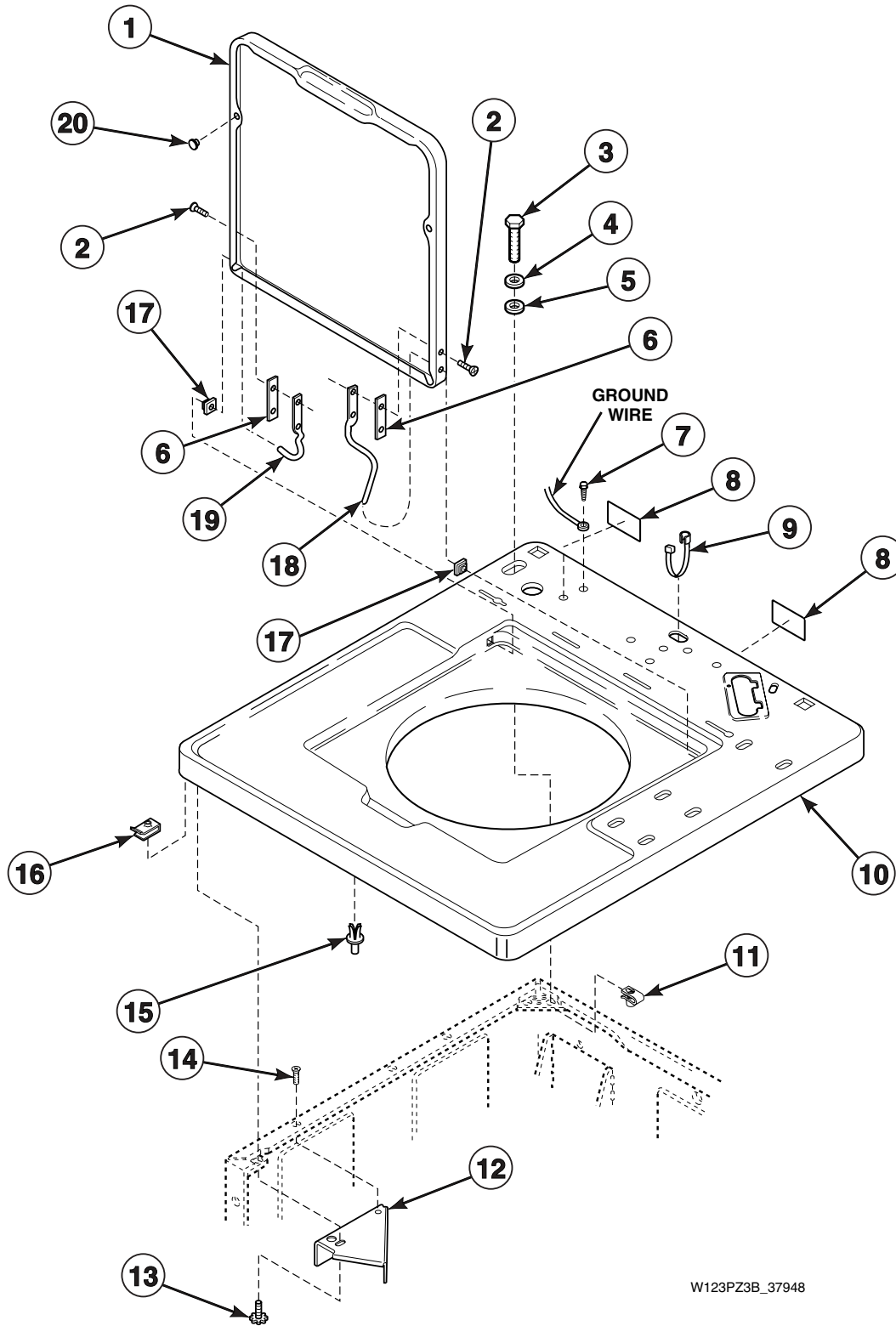


## Control Panel, Control Hood and Controls

REF	PART NO.	DESCRIPTION	COMMENTS
1	38188P	Control and Shield	
2	501524	Screw	
3	36097*	Control Panel Frame	
4	52566	Locknut	
5	02431	Lockwasher	
6	23962	Screw	
7	37075*	Control Hood	
8	23222	Screw	
9	38267	Control Hood Rear Panel	
10	M400017	Lockwasher	
11	02916	Cap Screw	
12	35889	Pressure Switch	
13	32648	Bumper	
14	36390	Control Panel Overlay	Models ZA3820*A and ZA3821*A
	39096	Control Panel Overlay	All other models
15	500226	Screw	Phillips Head
	35528	Screw	Torx Head; Refer to <i>Special Tools</i> section for Torx Bit and Holder

\* Add Letter To Designate Color. L - Almond W - White

# Cabinet Top and Loading Door



W123PZ3B\_37948

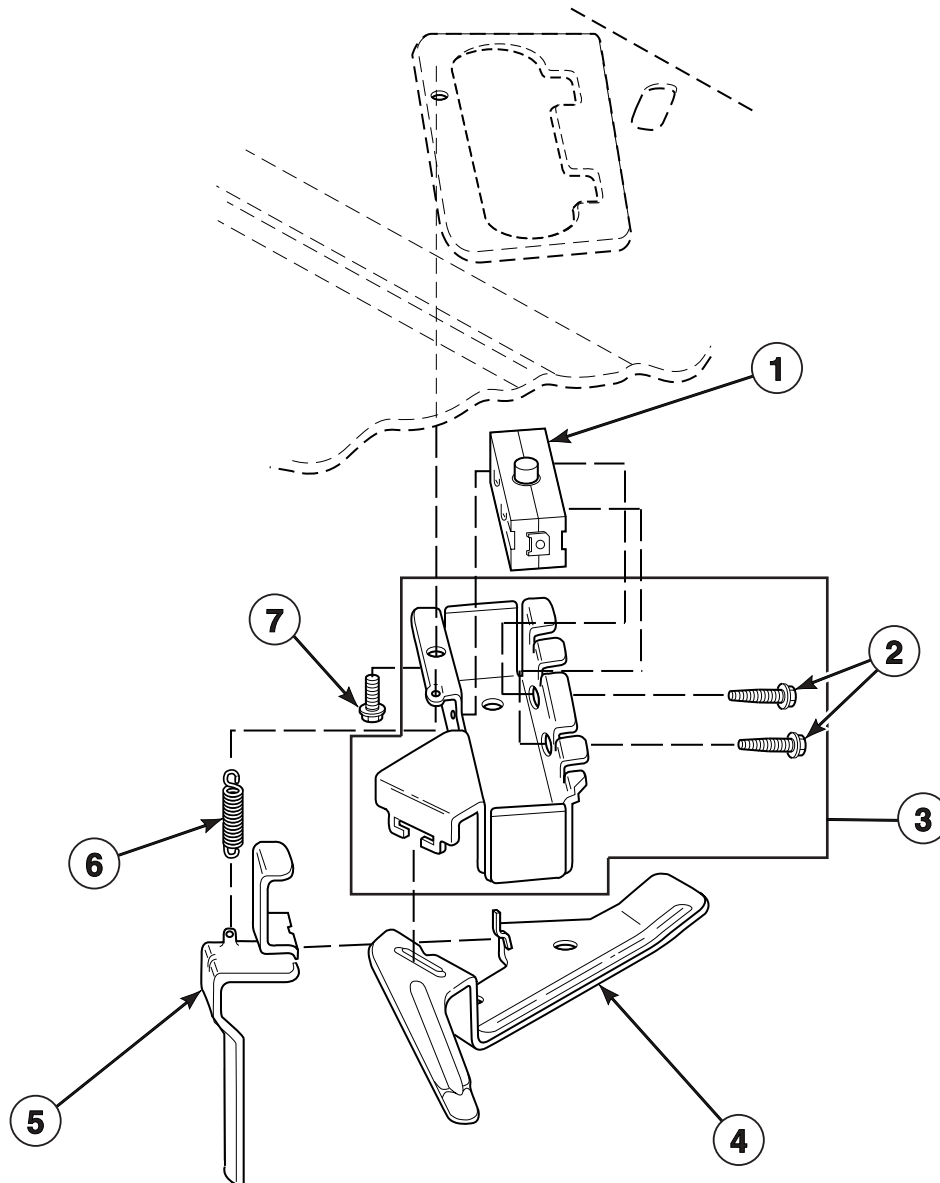
## Cabinet Top and Loading Door

REF	PART NO.	DESCRIPTION	COMMENTS
	34153	Plug	Use on loading door
1	200893*P	Loading Door	Porcelain
2	34337	Screw	
3	503673	Screw	Optional for added security
4	35917	Washer	Metal; Optional for added security
5	35774	Washer	Vinyl; Optional for added security
6	34338	Gasket	
7	52909	Screw	
8	505281	Sticker	
9	38384	Strain Relief	
10	36122*P	Cabinet Top	Metered Models
	36273*P	Cabinet Top	Nonmetered Models
11	27222	Retainer Nut	Optional for added security
12	36034	Director Bracket	
13	23008	Screw and Lockwasher	
14	N/A	Screw	
15	56534	Rivet	
16	36020	Speed Nut	
17	36474	Bushing	
18	36437	Hinge	Right
19	36438	Hinge	Left
20	21685	Bumper	

\* Add Letter To Designate Color. L - Almond W - White

N/A = Part no longer available

# Out-of-Balance Switch



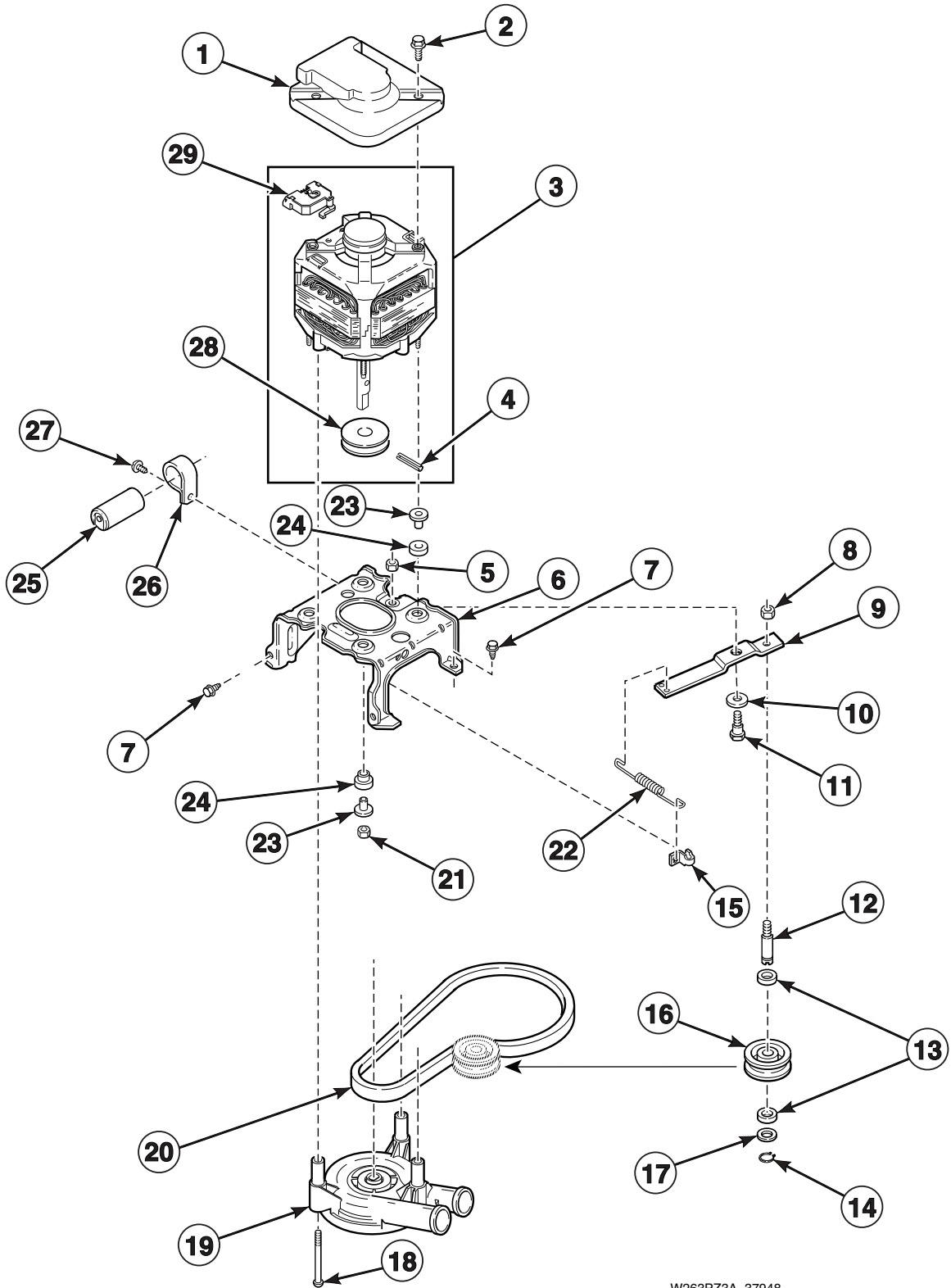
W246PZ3A\_37948

# Out-of-Balance Switch

REF	PART NO.	DESCRIPTION	COMMENTS
1	33445	Switch	Models EAJ920*A, EAJ921*A, EA2820*A, EA2821*A, EA2920*A, EA2921*A, EA3820*A, EA3821*A, EA3920*A, EA3921*A, ZA3820*A and ZA3821*A
	33527	Switch	All other models
2	36510	Screw	
3	36497P	Switch Holder Kit	Includes two 36510 Screws
4	33441	Actuator Arm	
5	33442	Lever	
6	33443	Spring	
7	23962	Screw	

\* Add Letter To Designate Color. L - Almond W - White

# Motor, Mounting Bracket, Belt, Pump and Idler Assembly



W263PZ3A\_37948

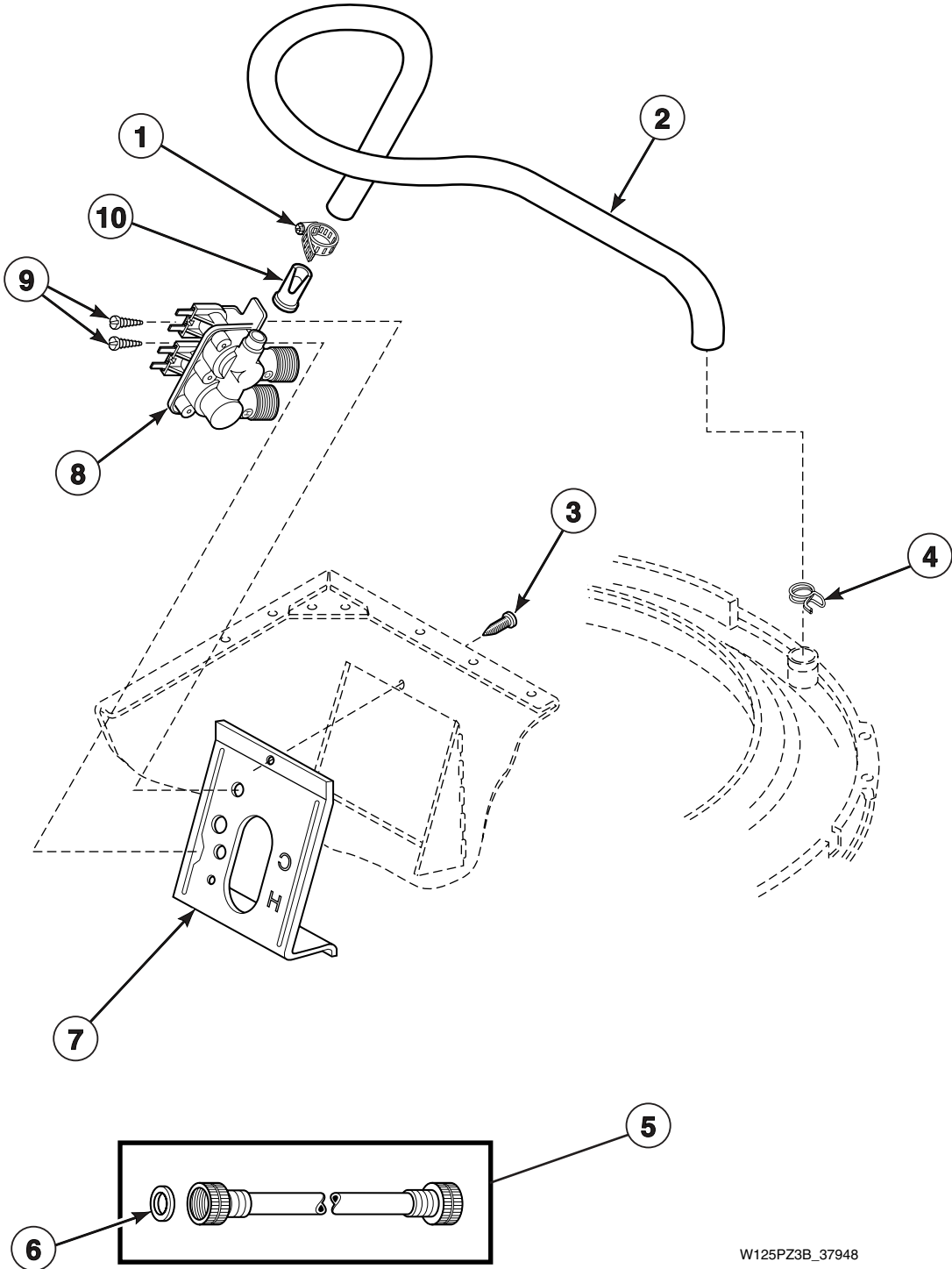
# Motor, Mounting Bracket, Belt, Pump and Idler Assembly

REF	PART NO.	DESCRIPTION	COMMENTS
1	34754	Motor Shield	
2	36639	Screw	
3	38036P	Motor Assembly	One speed; Model JA0110*
	38035	Motor Assembly	All other one speed models
	38034	Motor Assembly	Two speed models
4	N/A	Roll Pin	
5	52566	Locknut	
6	37415	Motor Mounting Bracket	
7	503661	Screw	
8	28803	Nut	
9	37443	Idler Lever	
10	81392	Washer	
11	27229	Shoulder Bolt	
12	28802	Idler Shaft	
13	29443	Washer	Felt
14	23748	Retainer Ring	
15	28849	Clip	
16	28800	Idler Pulley	
17	52549	Washer	Nylatron
18	34565	Screw	
19	200937P	Pump Assembly	
20	28808	Belt	Agitate and Spin
21	35423	Nut	
22	37606	Idler Lever Spring	
23	34791	Motor Mount Post	
24	34788	Motor Mount	Rubber
25	37377	Capacitor	
26	37535	Capacitor Clamp	
27	52909	Screw	
28	N/A	Motor Pulley	Gold
29	35632	Motor Switch	

\* Add Letter To Designate Color. L - Almond W - White

N/A = Part no longer available

# Inlet Hose, Fill Hose and Mixing Valve and Mounting Bracket



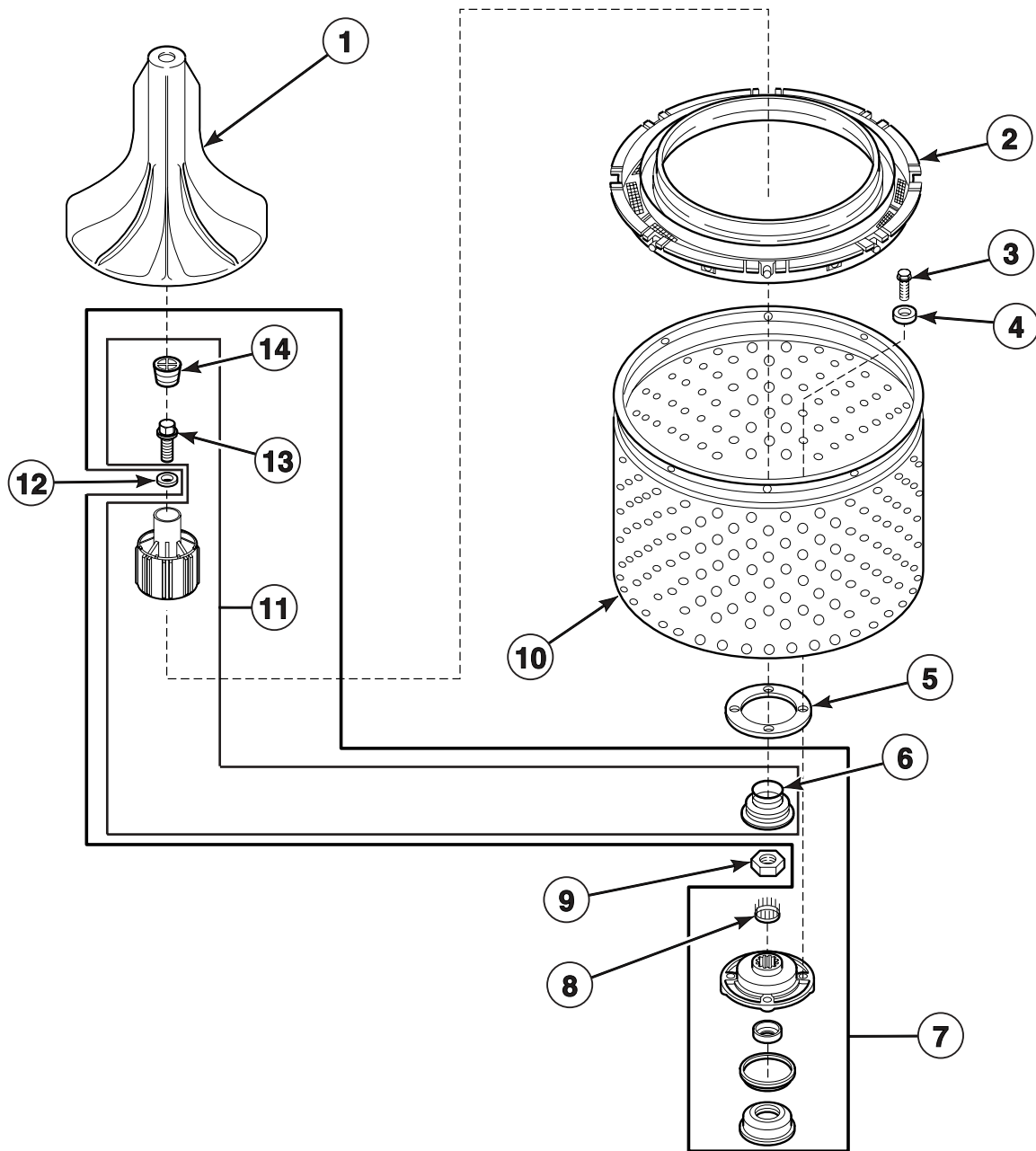
W125PZ3B\_37948



# Inlet Hose, Fill Hose and Mixing Valve and Mounting Bracket

REF	PART NO.	DESCRIPTION	COMMENTS
1	36801	Hose Clamp	
2	38155	Fill Hose	
3	33562	Screw	
4	29210	Hose Clamp	Gold
5	28330P	Inlet Hose Assembly	4 feet
	20617	Inlet Hose Assembly	8 feet
	20618	Inlet Hose Assembly	10 feet
6	20290	Hose Washer	
7	39407	Mixing Valve Mounting Bracket	
8	34963	Mixing Valve Assembly	
9	23962	Screw	
10	34500	Backflow Preventer	

# Agitator, Drive Bell, Seal Kit, Washtub and Hub

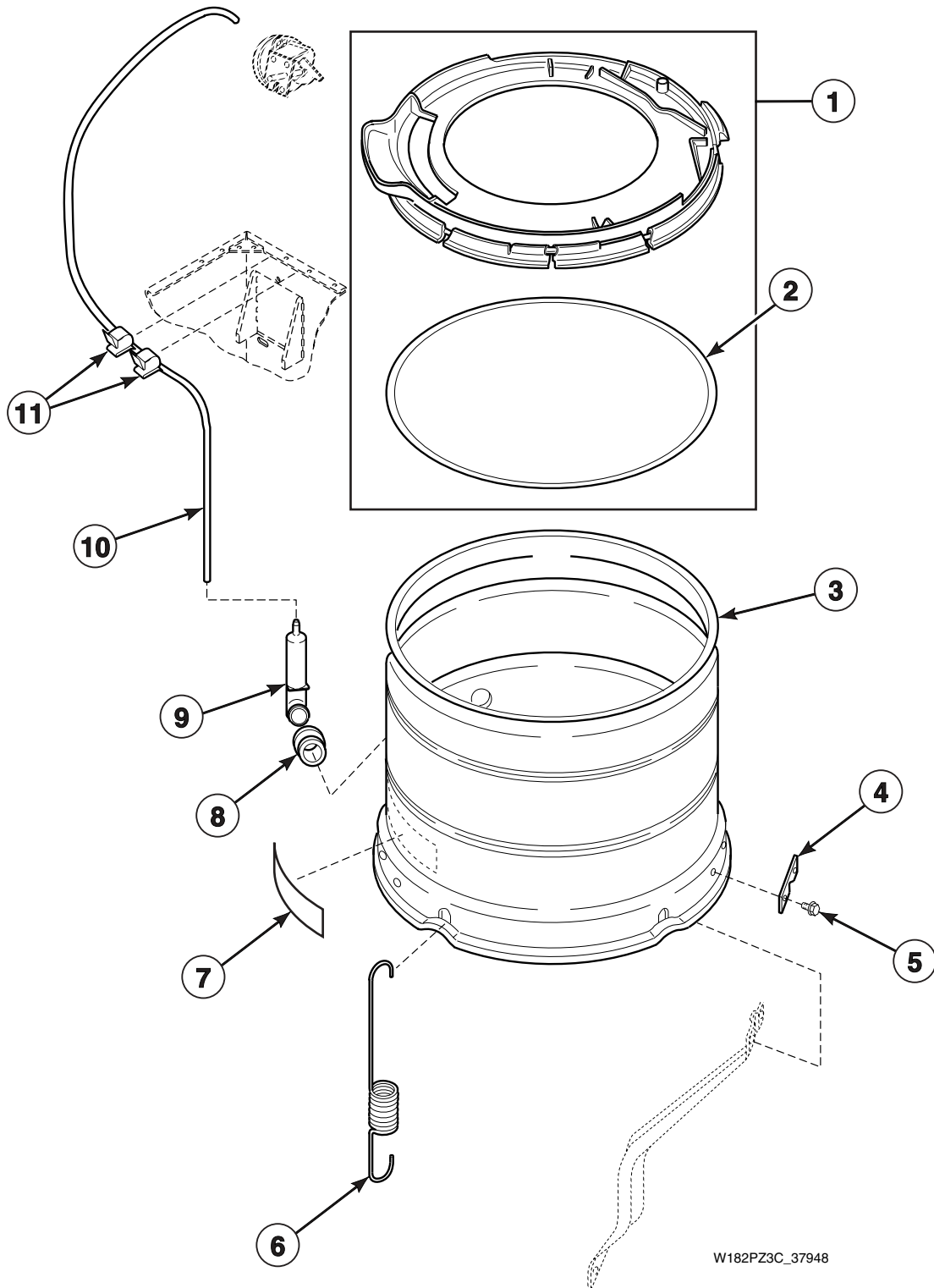


W227P\_37948

## Agitator, Drive Bell, Seal Kit, Washtub and Hub

REF	PART NO.	DESCRIPTION	COMMENTS
1	33513	Agitator	
2	32990	Clothes Guard	
3	27202	Cap Screw	
4	28094	Gasket	
5	39122	Gasket	
6	36425	Seal	
7	495P3	Hub and Seal Kit	Includes 32857 Cover Gasket, item 8 and item 11
8	29728	Splined Insert	
9	29220	Locknut	
10	39252P	Washtub	Porcelain
	39387P	Washtub	Stainless Steel
11	39508P	Drive Bell and Seal Kit	Includes items 6, 13 and 14
12	36472	O-Ring	
13	39432	Shoulder Screw	
14	36511	Plug	

# Outer Tub, Cover and Pressure Hose

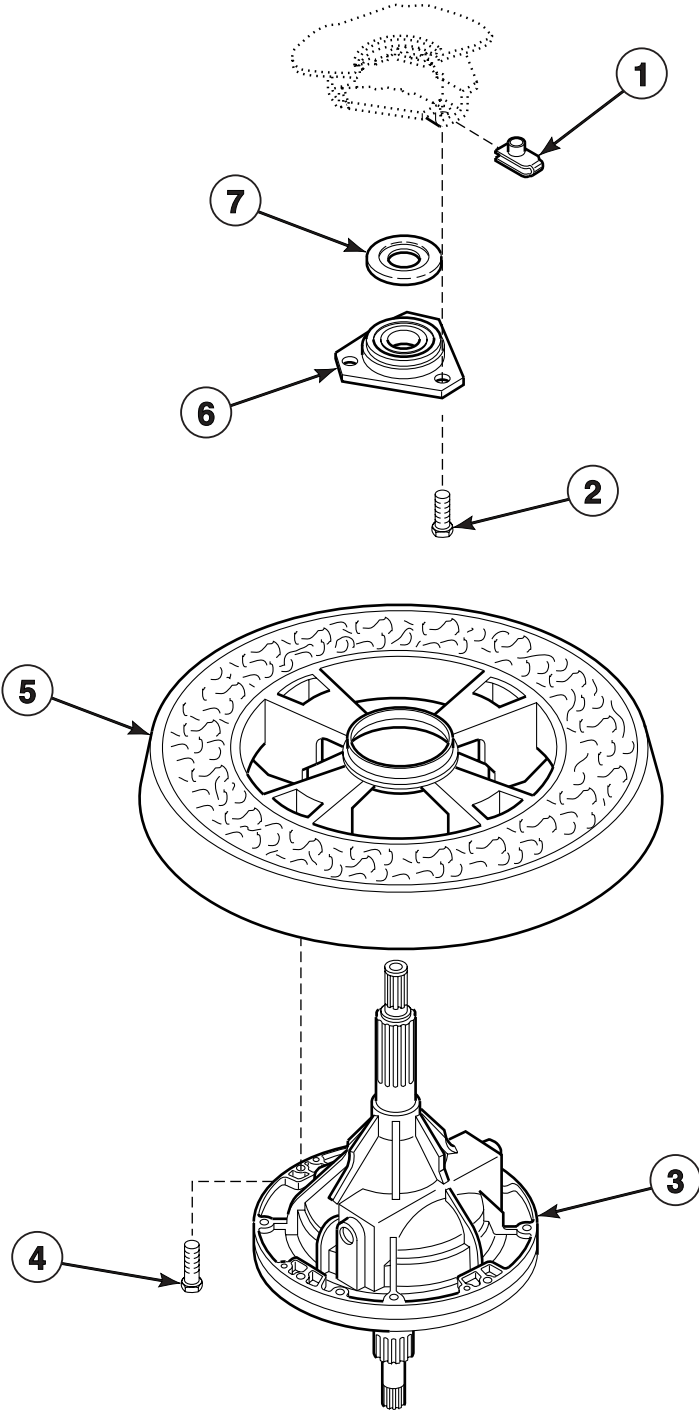


## Outer Tub, Cover and Pressure Hose

REF	PART NO.	DESCRIPTION	COMMENTS
1	36025P	Outer Tub Cover Assembly	Includes item 2
2	32857	Gasket	
3	34439P	Outer Tub	
4	27926	Leg Plate	
5	35369	Screw	
6	35947	Centering Spring	
7	500049	Sticker	
8	29175	Grommet	
9	30907	Pressure Bulb	
10	39125	Pressure Hose	Models EAJ920*A, EAJ921*A, EA2820*A, EA2821*A, EA2920*A, EA2921*A, EA3820*A, EA3821*A, EA3920*A, EA3921*A, ZA3820*A and ZA3821*A
	39124	Pressure Hose	All other models
11	21036	Clips	

\* Add Letter To Designate Color. L - Almond W - White

# Transmission Assembly and Balance Ring



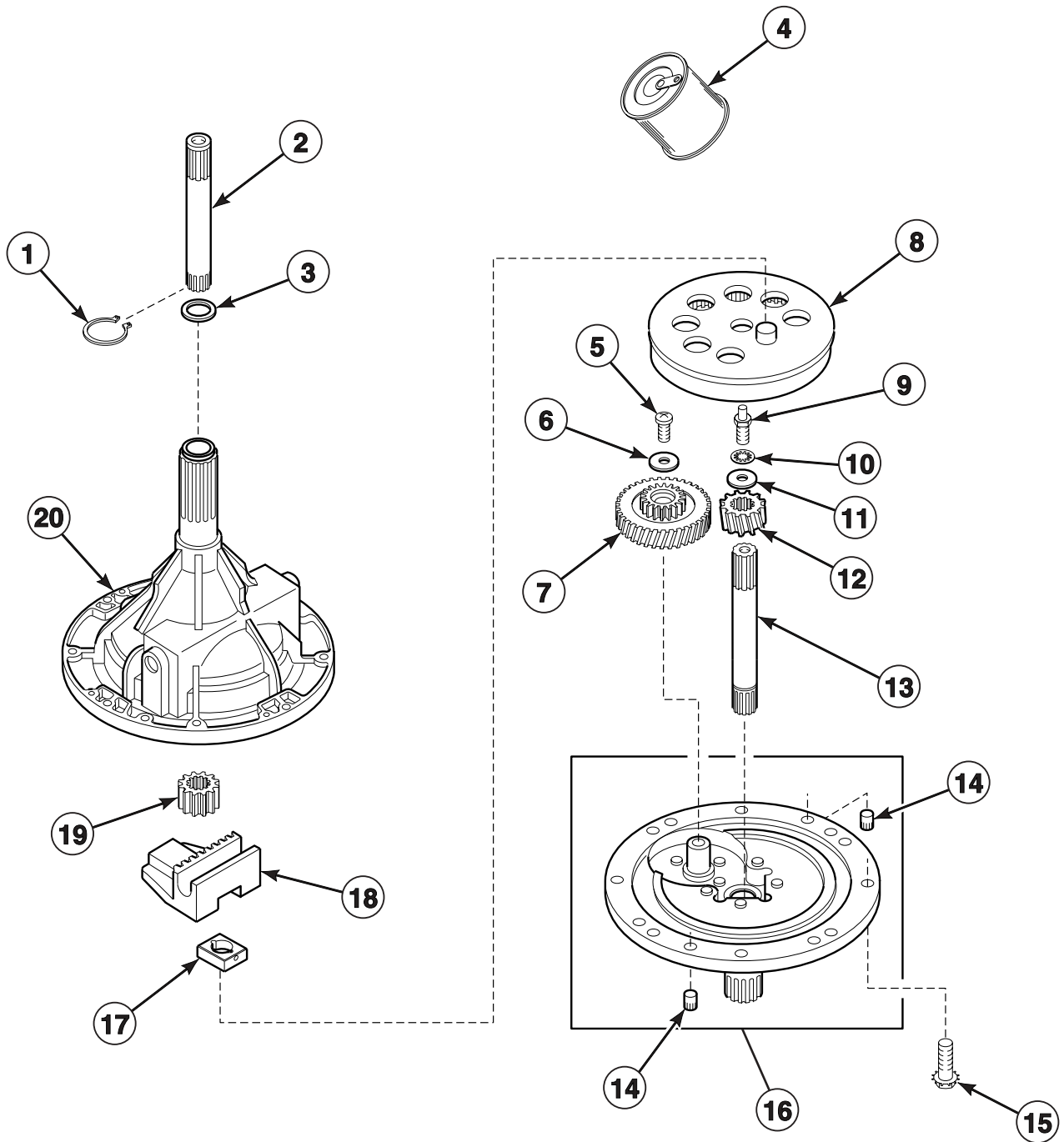
W234PZ3E\_37948

## Transmission Assembly and Balance Ring

REF	PART NO.	DESCRIPTION	COMMENTS
	27604P	Anti-Seize Compound	Apply to both the upper and lower transmission shafts
1	27222	Retainer Nut	
2	36991	Cap Screw	
3	34526P	Transmission Assembly	Refer to <i>Transmission Assembly</i> section for component parts
4	N/A	Cap Screw	
5	34731	Balance Ring	
6	27182	Bearing Housing Assembly	
7	27187	Flinger	Used through Serial No. 9510053575

**N/A = Part no longer available**

# Transmission Assembly



W132PZ3A\_37948

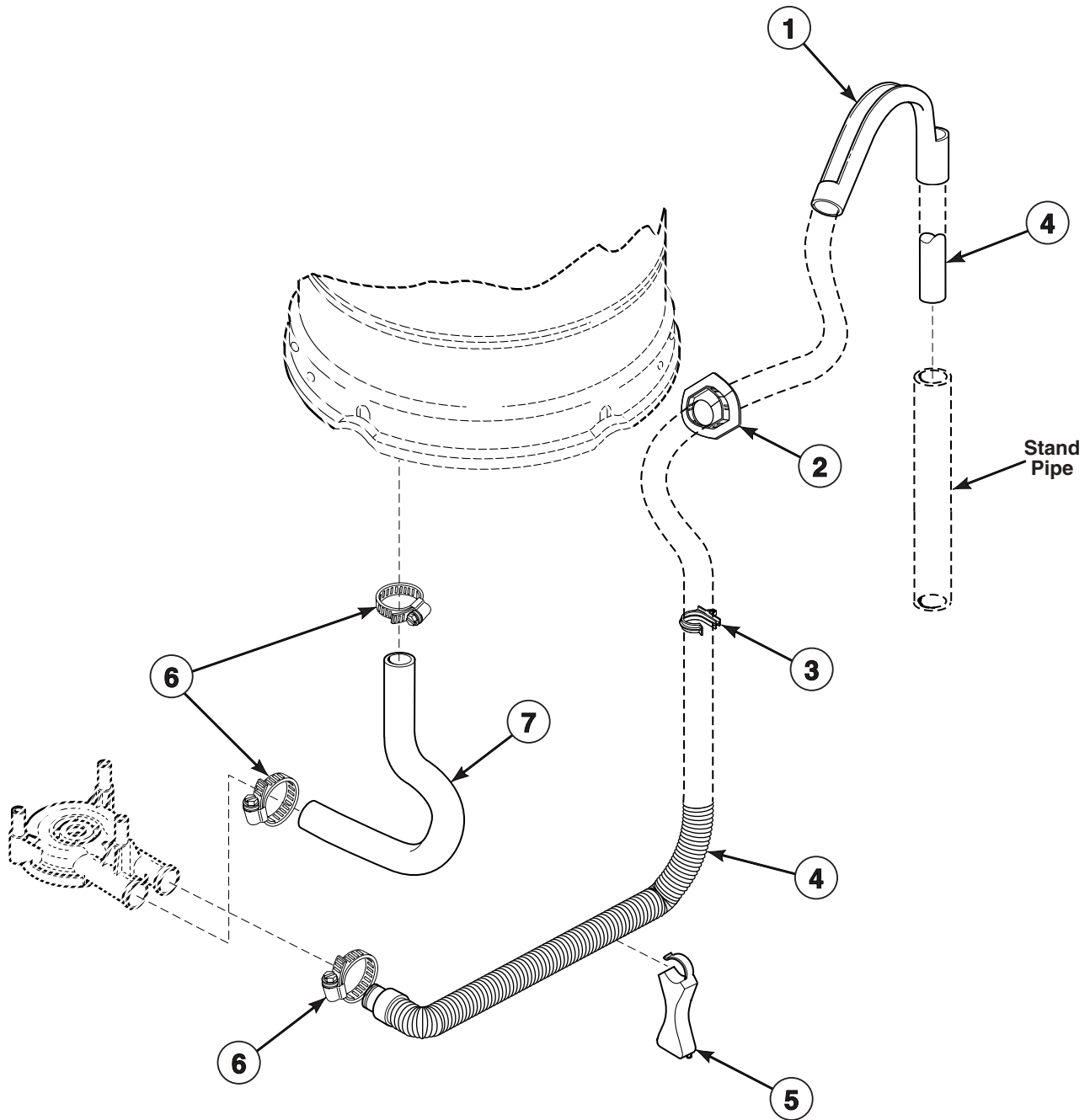


# Transmission Assembly

REF	PART NO.	DESCRIPTION	COMMENTS
	37577P	Sealant	Use between Transmission Case and Cover
1	27197	Retainer Ring	
2	36570	Output Shaft	
3	35092	Washer	
4	27243P	Transmission Oil	1 Fill
5	29273	Screw	
6	29260	Washer	
7	29161	Reduction Gear	
8	26577	Internal Gear	
9	27030	Special Screw	
10	21456	Lockwasher	
11	26509	Washer	
12	36562	Drive Pinion	
13	34853	Input Shaft	
14	27172	Dowel Pin	
15	32814	Screw	
16	38290	Transmission Cover Assembly	
17	26493	Slide	
18	31526	Rack	
19	27003	Agitator Pinion	
20	33223	Transmission Case Assembly	

# Drain Hose, Strain Relief and Sleeve

Model JA0110\*



W016B\_37948

## Drain Hose, Strain Relief and Sleeve

REF	PART NO.	DESCRIPTION	COMMENTS
1	33615	Drain Hose Sleeve	
2	32219	Strain Relief	
3	39177	Hose Clip	
4	39950	Drain Hose	
5	36522	Hose Support	
6	36802	Hose Clamp	
7	35752	Tub-to-Pump Hose	

\* Add Letter To Designate Color. L - Almond W - White

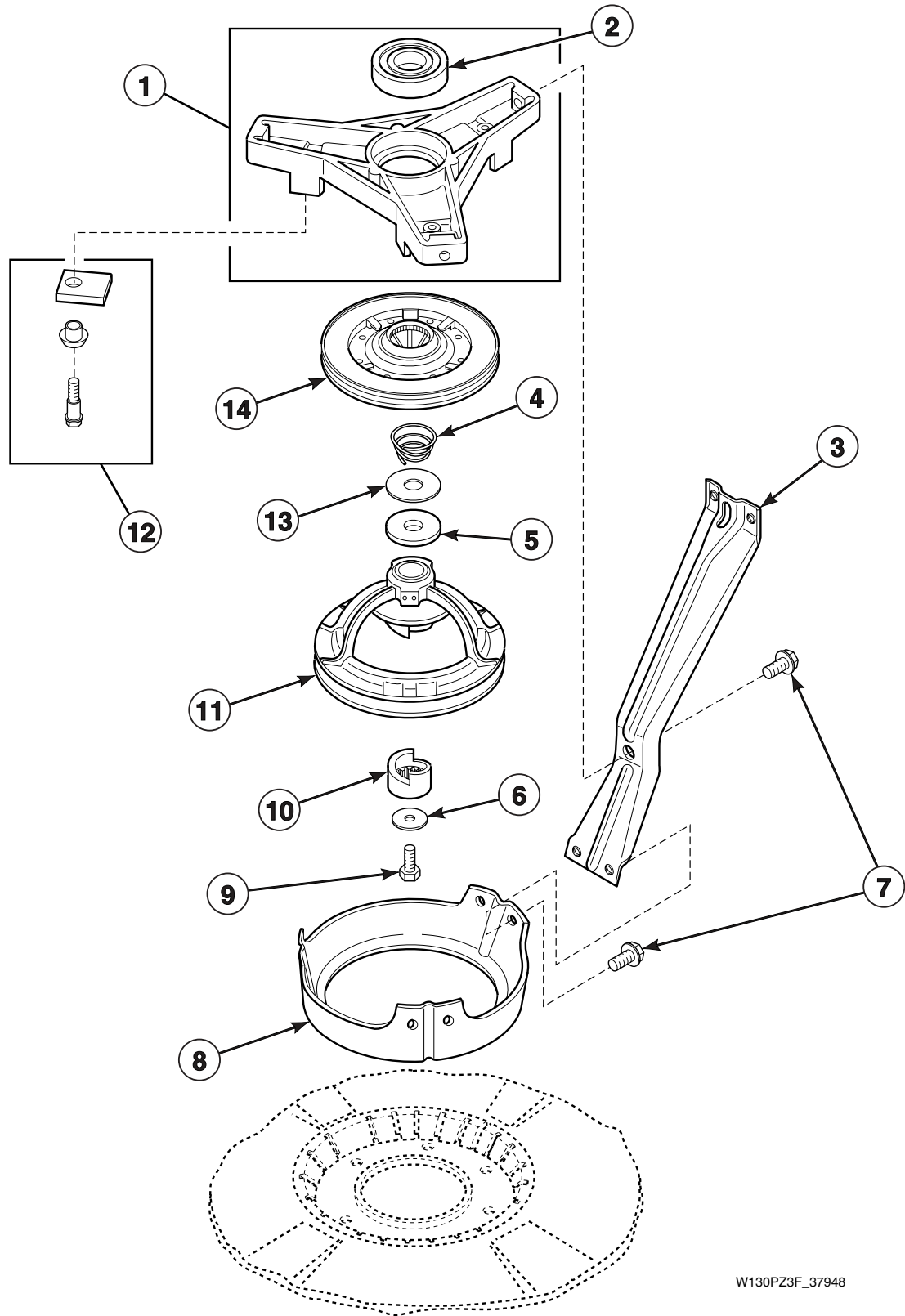


## Hoses and Siphon Break Kit

REF	PART NO.	DESCRIPTION	COMMENTS
1	562P3	Siphon Break Kit	Siphon break kit <b>MUST</b> be installed in drain hose if drain receptacle is lower than cabinet top of washer.
2	34581	Pump-to-Elbow Hose	
3	20391	Hose Clamp	
4	36990	Drain Hose Elbow	
5	52909	Screw	
6	20211	Hose Clamp	
7	28293	Drain Hose	
8	25863	Hose Coupler	If drain hose must be shortened, cut hose between molded end and molded elbow. Use one No. 25863 Hose Coupler to splice hose.
9	36522	Hose Support	
10	36802	Hose Clamp	
11	35752	Tub-to-Pump Hose	
12	39177	Hose Clip	

\* Add Letter To Designate Color. L - Almond W - White

# Bearing Housing, Brake, Pulley and Pivot Dome

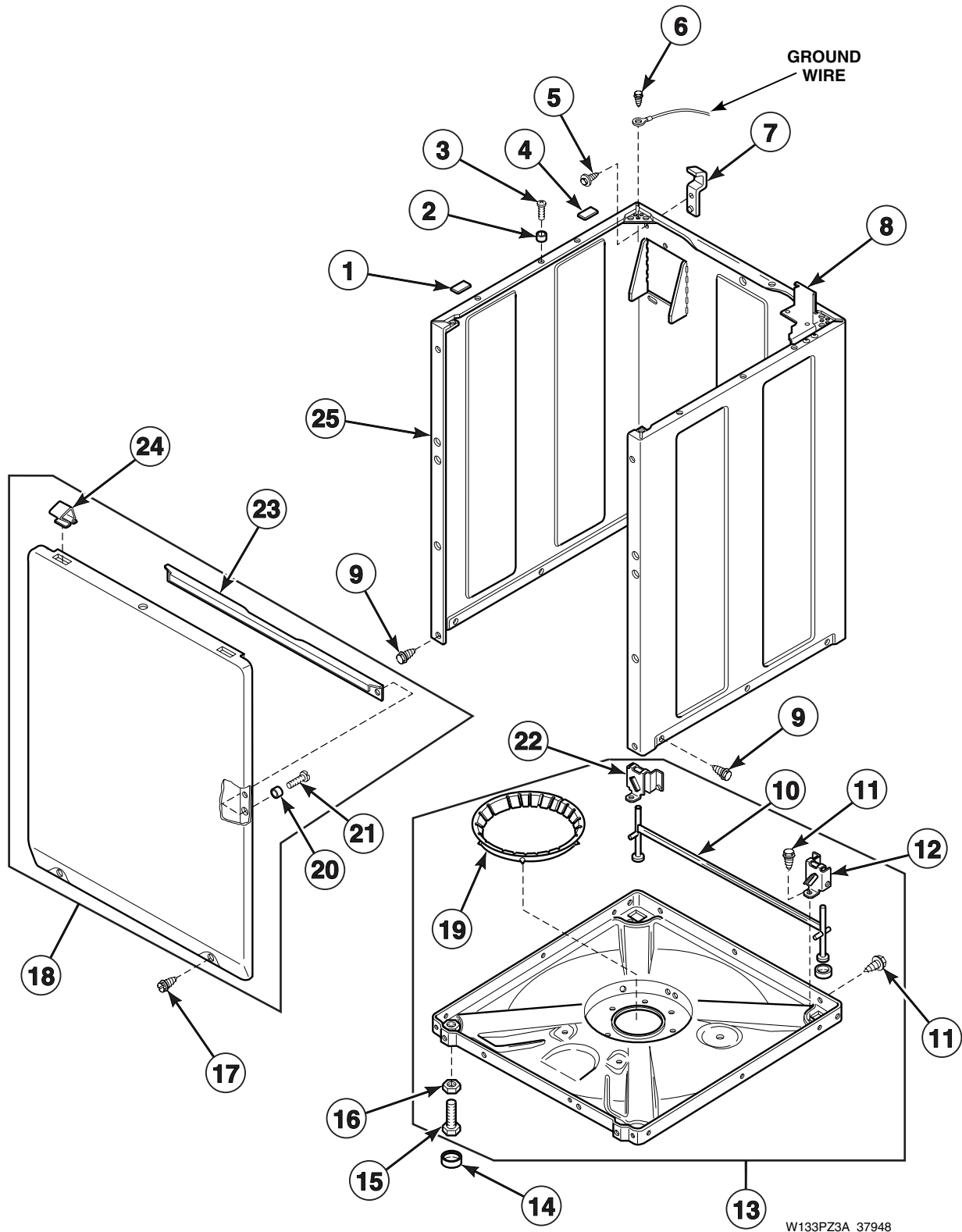


W130PZ3F\_37948

## Bearing Housing, Brake, Pulley and Pivot Dome

REF	PART NO.	DESCRIPTION	COMMENTS
	26594P	Silicone Lubricant	Apply a small amount to each new brake pad.
1	35746	Bearing Housing Assembly	
2	28944R	Bearing	
3	34792	Support Leg	
4	33435	Spring	
5	27015	Washer	Thick
6	26509	Washer	
7	35369	Screw	
8	34470	Pivot Dome	
9	27220	Screw	
10	27018	Helix	
11	34923	Pulley Assembly	
12	548P3	Brake Pad Kit	Includes three pads, sleeves and screws.
13	35535	Washer	Thin
14	38505P	Brake Assembly	

# Front Panel, Base Assembly and Cabinet Assembly



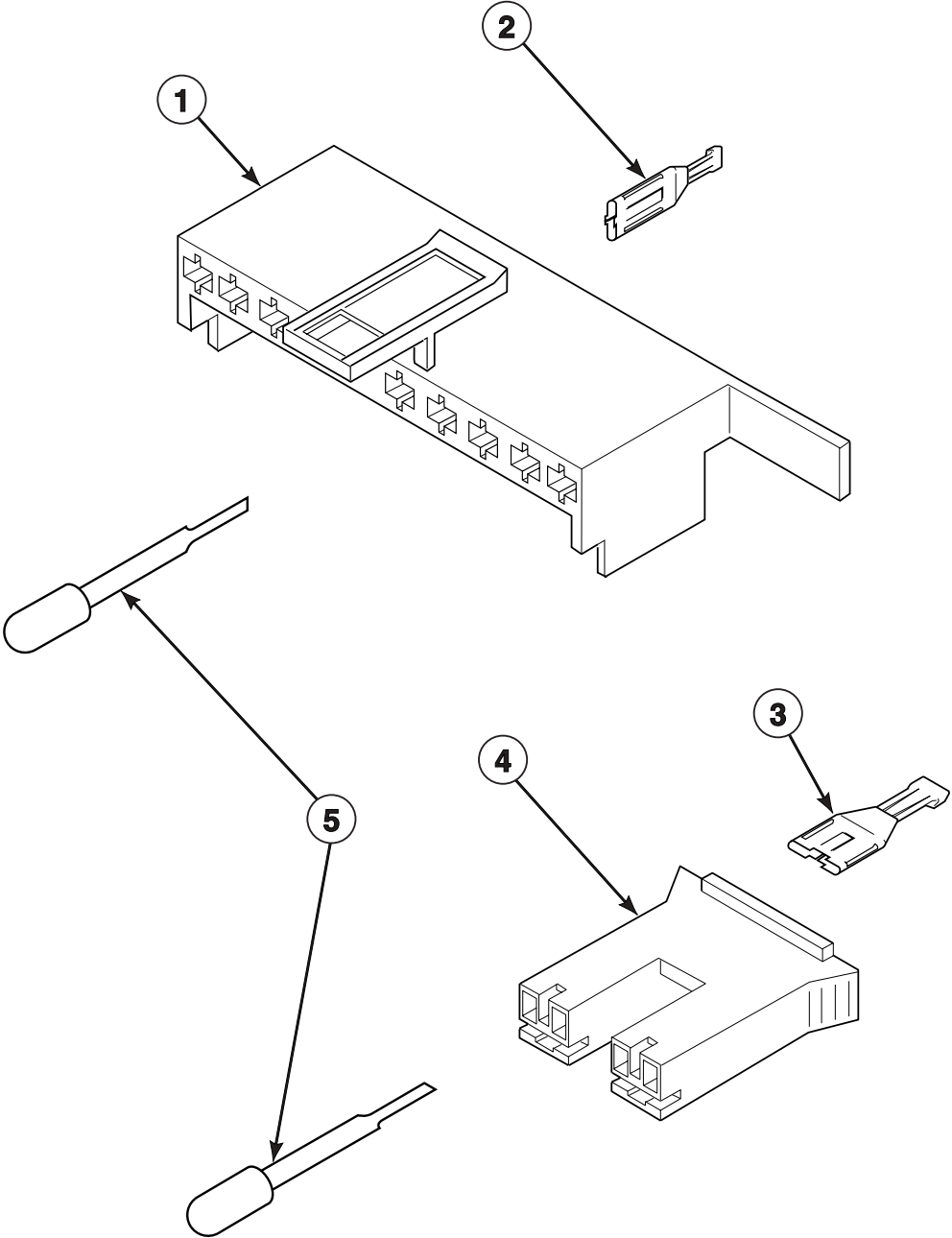


## Front Panel, Base Assembly and Cabinet Assembly

REF	PART NO.	DESCRIPTION	COMMENTS
1	56128	Bumper Pad	Thin
2	56079	Guide Lug	
3	39733	Screw	
4	36226	Bumper Pad	Thick
5	51780	Screw	
6	23962	Screw	
7	27103	Hinge	
8	35867	Mounting Bracket	
9	27196	Screw	
10	34443	Leveling Leg and Stabilizing Bar Assembly	
11	35148	Screw	
12	36036	Bracket	Right
13	36599P	Base Assembly	Includes items 10, 11, 12, 15, 16, 19 and 22
14	34318	Rubber Foot	
15	34319	Leveling Leg	
16	21899	Locknut	
17	27196	Screw	Slotted Hex Head
	35527	Screw	Torx Head; Refer to <i>Special Tools</i> section for Torx Bit and Holder
18	34656*P	Front Panel	Includes items 23, 24 and attaching hardware
19	36108	Snubber Pad and Isolator Assembly	
20	28102	Guide Lug	
21	39733	Screw	
22	36037	Bracket	Left
23	35097	Brace	
24	35865	Hold-Down Clip	
25	38612*P	Cabinet Assembly	

\* Add Letter To Designate Color. L - Almond W - White

# Mixing Valve and Motor Disconnect Blocks, Terminals and Terminal Extractor Tool

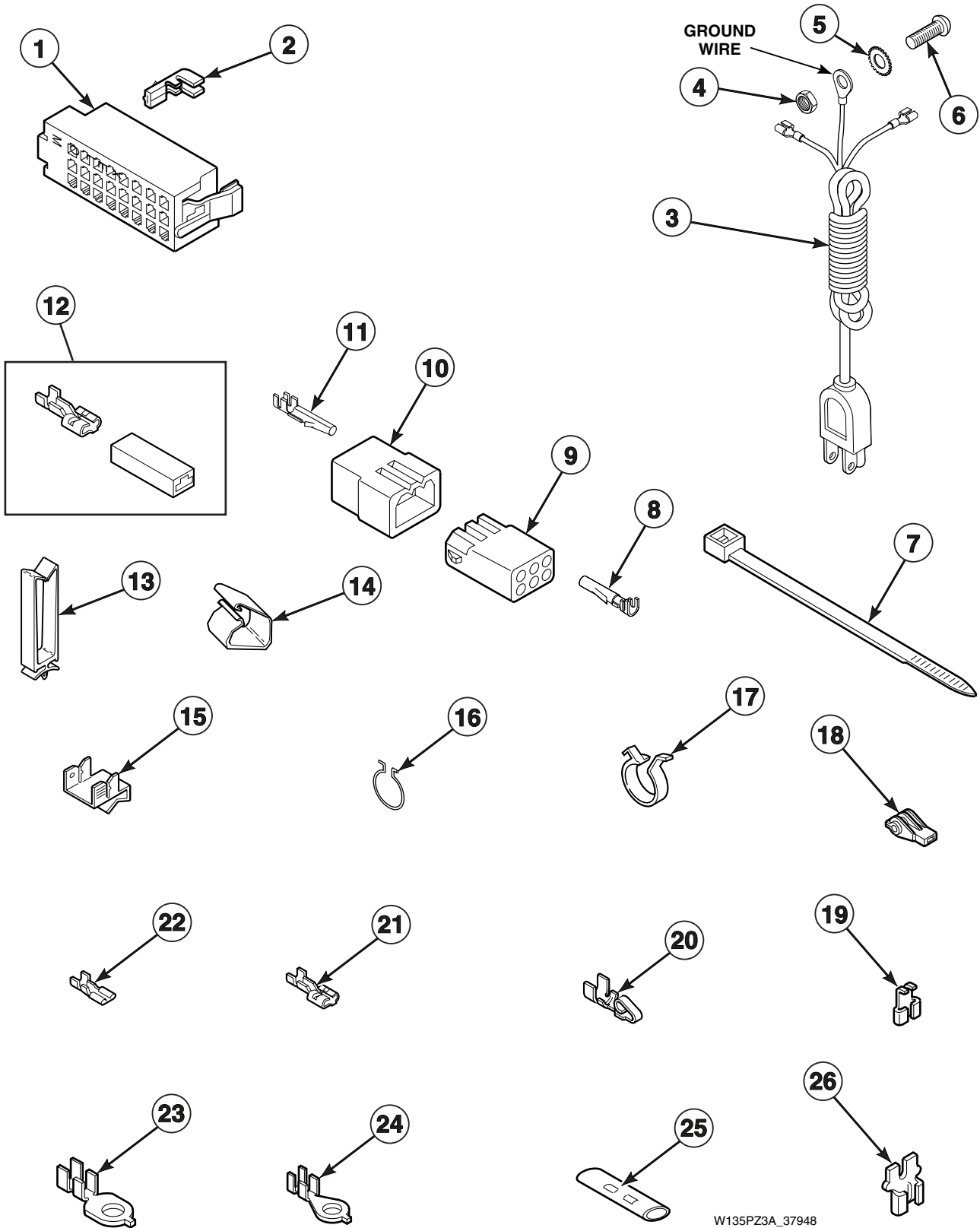


W134PZ3B\_37948

## Mixing Valve and Motor Disconnect Blocks, Terminals and Terminal Extractor Tool

REF	PART NO.	DESCRIPTION	COMMENTS
1	34677	Molex Housing	Motor
2	00188	Molex Terminal	For one or two wire application
3	00121	Spade Terminal	1/4 inch
4	34675	Amp Housing	Mixing Valve, Natural
	34676	Amp Housing	Mixing Valve, Red
5	283P4	Terminal Extractor Tool	

# Power Cord and Terminals



W135PZ3A\_37948

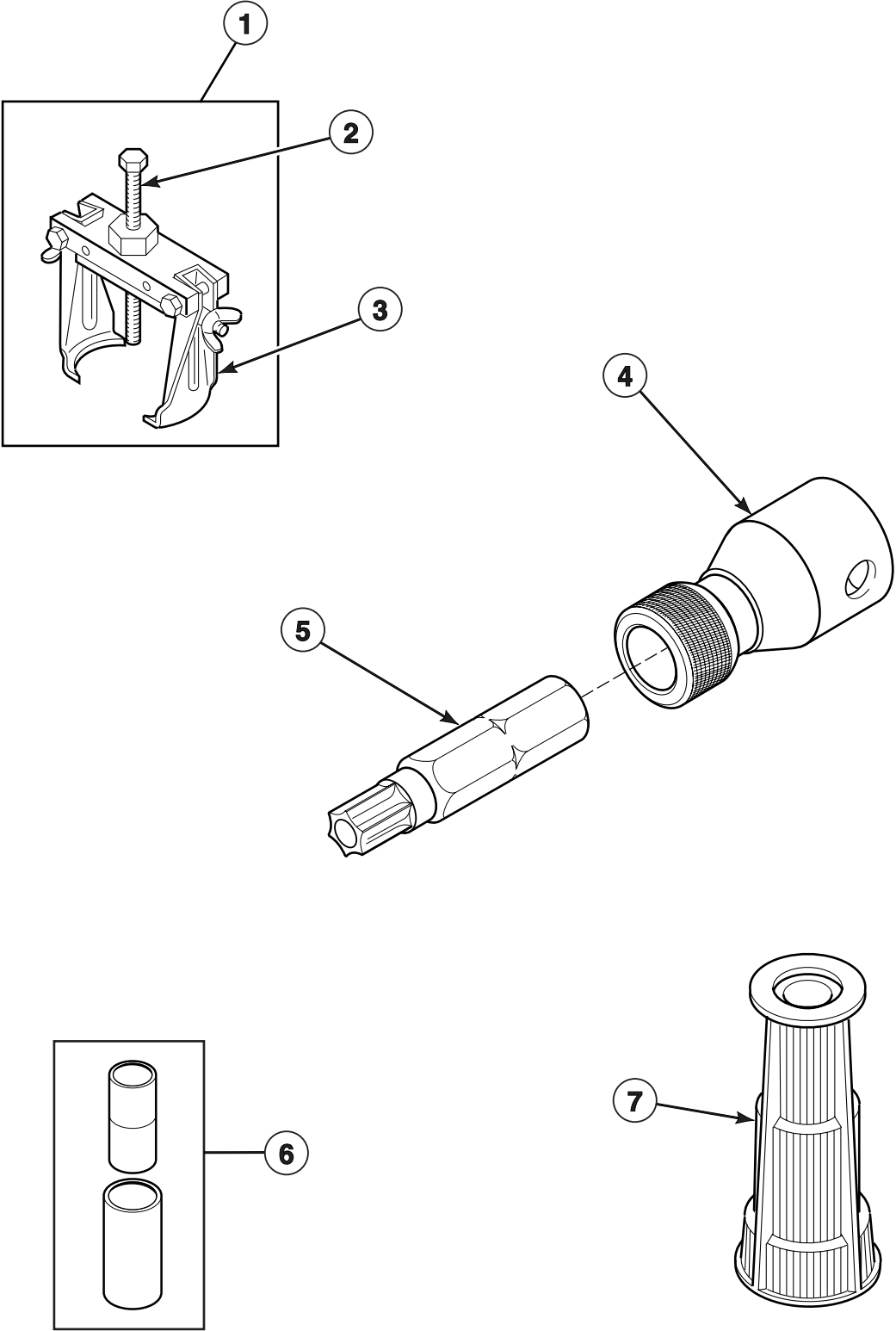
## Power Cord and Terminals

REF	PART NO.	DESCRIPTION	COMMENTS
1	32746	Molex Housing	Right Hand
	34123	Molex Housing	Left Hand
2	00188	Molex Terminal	Used for one or two wire application
3	34458	Power Cord	Models EAJ920*A, EAJ921*A, EA2011*A, EA2020*A, EA2021*A, EA2820*A, EA2821*A, EA2920*A, EA2921*A, EA3820*A, EA3821*A, EA3920*A, EA3921*A, ZA3820*A and ZA3821*A
	39404	Power Cord	All other models
4	03673	Nut	
5	03815	Lockwasher	
6	20267	Screw	
7	55881	Wire Tie	
8	00117	Terminal	Female
9	26301	Terminal Block	1 circuit
	26708	Terminal Block	6 circuit
	26163	Terminal Block	9 circuit
10	26302	Terminal Block	1 circuit
	23041	Terminal Block	6 circuit
	23033	Terminal Block	9 circuit
11	00116	Terminal	Male
12	00234	Terminal and Housing Assembly	
13	36274	Harness Clip	
14	N/A	Harness Clip	
15	00161	Ground Clip	
16	51291	Wire Clip	
17	504034	Wire Clip	
18	70210	Plastic Insulator	
19	00120	Right Angle	Flag Terminal
20	N/A	Spade Terminal	Female - 1/4 inch
21	00223	Spade Terminal	Large Spade
22	00112	Spade Terminal	Small Spade
23	00113	Eyelet Terminal	1/4 Inch Ring
24	00110	Eyelet Terminal	Small Shank
25	21091	Connector	
26	29673	Double Connector	

\* Add Letter To Designate Color. L - Almond W - White

N/A = Part no longer available

# Special Tools

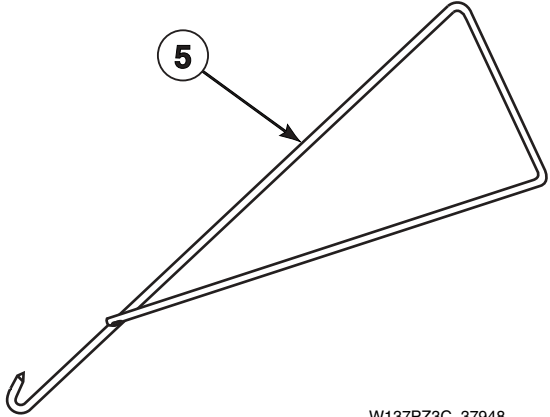
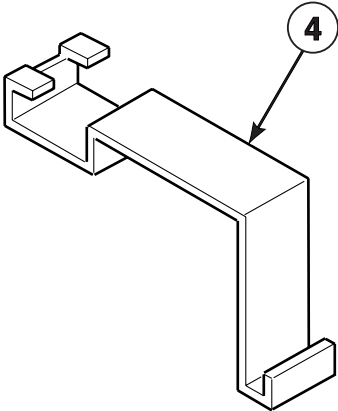
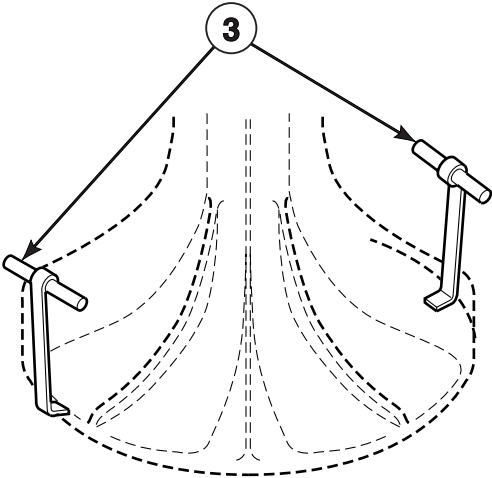
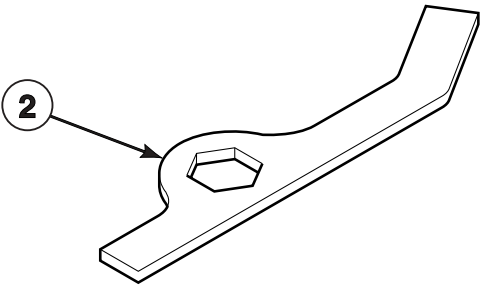
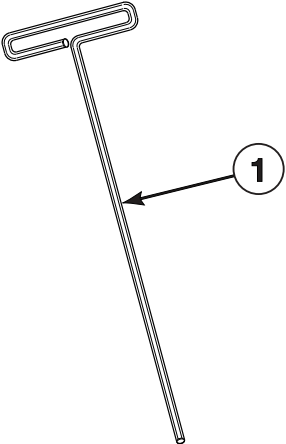


W399PZ3A\_37948

## Special Tools

REF	PART NO.	DESCRIPTION	COMMENTS
1	294P4	Bell Tool	Replaces Bell Tool, Part No. 253P4. For removal and installation of drive bell to transmission shaft.
2	294P4B	Drive Bell Bolt	
3	294P4A	Drive Bell Arms	
4	24161	Torx Bit Holder	3/8 inch Drive
5	281P4	T15 Tamper Resistant Bit	For removal and installation of Control Hood Security Screws.
	282P4	T25 Tamper Resistant Bit	For removal and installation of Pump and Front Panel Attached Screws.
6	242P4	Brake Spring Installer	Use to install brake spring.
7	293P4	Seal Tool	For installation of 36425 Seal.

# Special Tools



W137PZ3C\_37948



## Special Tools

REF	PART NO.	DESCRIPTION	COMMENTS
1	291P4	T-Handle Allen Wrench	For removal and installation of three pump assembly attaching screws.
2	306P4	Hex Wrench	Use to remove Hex Locknut from Washtub Hub.
3	254P4P	Agitator Hooks	Use to remove Agitator from Drive Bell. Set of two.
4	273P4	Outer Tub Cover and Gasket Tool	Use to remove 36025P Outer Tub Cover from Outer Tub and to install 32857 Gasket in Outer Tub Cover.
5	321P4	Spring Hook	Use for removal and installation of centering springs on Outer Tub.

## Wire Harnesses and Wires

PART NO.	DESCRIPTION	COMMENTS
36278	Base Harness	Model JA0110*
N/A	Base Harness	All other models
39811	Timer Harness	Model EA2011*A
34092	Timer Harness	Models EA2020*A and EA2021*A
39806P	Timer Harness	Models EA2110*A, EA2111*A, EA2210*A and JA0110*
29281	Timer Harness	Models EA2120*A, EA2121*A, EA2220*A and EA2221*A
34175	Timer Harness	Models EA2520*A, EA2521*A, EA2620*A, EA2621*A and EA2721*A
34239	Timer Harness	Models EA2610*A and EA2710*A
36094	Timer Harness	Models EAJ920*A, EAJ921*A, EA2820*A, EA2821*A, EA2920*A and EA2921*A
37525	Timer Harness	Models EA3820*A, EA3821*A, EA3920*A, EA3921*A, ZA3820*A and ZA3821*A
33805	Hood Harness	Models EA2020*A and EA2021*A
33758	Hood Harness	Models EA2120*A, EA2121*A, EA2220*A, EA2221*A, EA2520*A, EA2521*A and EA2721*A
36261	Hood Harness	Models EA2610*A and EA2710*A
36262	Hood Harness	Models EA2620*A and EA2621*A
N/A	Hood Harness	Models EA2011*A, EA2110*A, EA2111*A, EA2210*A and JA0110*
36093	Hood Harness	All other models
38191	Card Reader Harness	Models EA3820*A, EA3821*A, ZA3820*A and ZA3821*A
38026	Security Case Harness	Models EAJ920*A and EAJ921*A
45001	18 Gauge Wire	Black; Order wire by foot and terminals and connectors as required
45380	12 Gauge Wire	Orange; Order wire by foot and terminals and connectors as required

\* Add Letter To Designate Color. L - Almond W - White

N/A = Part no longer available

**NOTE: Individual wires are not available separately. Order complete wire harness, or order wire by the foot. When applying terminals to wires, it is recommended that the terminals be soldered to the wires.**

# Parts Index

## A

Actuator Arm 33441 .....	27
Agitator 33513 .....	33
Agitator Hooks 254P4P .....	55
Agitator Pinion 27003 .....	39
Amp Housing 34675 .....	49
34676 .....	49
Anti-Seize Compound 27604P .....	37

## B

Backflow Preventer 34500 .....	31
Balance Ring 34731 .....	37
Base Assembly 36599P .....	47
Base Harness 36278 .....	56
Bearing 28944R .....	45
Bearing Housing Assembly 27182 .....	37
35746 .....	45
Bell Tool 294P4 .....	53
Belt 28808 .....	29
Bolt 29651 .....	9, 11
Brace 35097 .....	47
Bracket 35525 .....	9, 11, 13
36036 .....	47
36037 .....	47
503017 .....	15
Brake Assembly 38505P .....	45
Brake Pad Kit 548P3 .....	45
Brake Spring Installer 242P4 .....	53
Bumper 21685 .....	25
32648 .....	19, 21, 23
Bumper Pad 36226 .....	47
56128 .....	47
Bushing 36474 .....	25

## C

Cabinet Assembly 38612*P .....	47
Cabinet Top 36122*P .....	25
36273*P .....	25
Cap Screw 02916 .....	5, 15, 19, 21, 23
27202 .....	33
36991 .....	37
Capacitor 37377 .....	29
Capacitor Clamp 37535 .....	29
Card Reader 39685 .....	17
Card Reader Harness 38191 .....	56
Carriage Bolt 02505 .....	5, 9, 11, 13, 17
Centering Spring 35947 .....	35
Circuit Board 37386P .....	15
Clip 28849 .....	29
Clips 21036 .....	35
Clothes Guard 32990 .....	33
Clutch 29503 .....	9, 11
Coin Drop Assembly 39873 .....	13
Coin Drop Front Plate 201191 .....	13
Coin Funnel Kit 523P3 .....	9, 11
Connector 21091 .....	51
Control and Shield 38188P .....	23
Control Hood 37075* .....	19, 21, 23
Control Hood Rear Cover 38267 .....	19, 21
Control Hood Rear Panel 38267 .....	23
Control Knob Assembly 39897 .....	19, 21
Control Panel Frame 36097* .....	23
36521* .....	19, 21
Control Panel Overlay 32460 .....	19
32472 .....	19
34699 .....	21
34700 .....	21
36390 .....	23
39096 .....	23

Counter Kit 62113P.....	9
----------------------------	---

---

## D

Director Bracket 36034 .....	25
Double Connector 29673 .....	51
Dowel Pin 27172 .....	39
Drain Hose 28293 .....	43
39950 .....	41
Drain Hose Elbow 36990 .....	43
Drain Hose Sleeve 33615 .....	41
Drive Bell and Seal Kit 39508P .....	33
Drive Bell Arms 294P4A .....	53
Drive Bell Bolt 294P4B .....	53
Drive Pinion 36562 .....	39

---

## E

Eyelet Terminal 00110 .....	51
00113 .....	51

---

## F

Fill Hose 38155 .....	31
Flinger 27187 .....	37
Front Panel 34656*P .....	47

---

## G

Gasket 26354 .....	13
28094 .....	33
32857 .....	35
34338 .....	25
35526 .....	9, 11, 13
37526 .....	15, 17
39122 .....	33
Grommet 29175 .....	35
Ground Clip 00161 .....	51
Guide Lug 28102 .....	47
56079 .....	47

---

## H

Harness Clip 36274 .....	51
Helix 27018 .....	45
Hex Wrench 306P4 .....	55
Hinge 27103 .....	47
36437 .....	25
36438 .....	25
Hold-Down Clip 35865 .....	47
Hood Harness 33758 .....	56
33805 .....	56
36093 .....	56
36261 .....	56
36262 .....	56
Hose Clamp 20211 .....	43
20391 .....	43
29210 .....	31
36801 .....	31
36802 .....	41, 43
Hose Clip 39177 .....	41, 43
Hose Coupler 25863 .....	43
Hose Support 36522 .....	41, 43
Hose Washer 20290 .....	31
Hub and Seal Kit 495P3 .....	33

---

## I

Idler Lever 37443 .....	29
Idler Lever Spring 37606 .....	29
Idler Pulley 28800 .....	29
Idler Shaft 28802 .....	29
Indicator Light 32463 .....	19, 21
32464 .....	19, 21
32466 .....	19, 21
Inlet Hose Assembly 20617 .....	31
20618 .....	31
28330P .....	31
Input Shaft 34853 .....	39
Instruction Overlay 38192 .....	17
Internal Gear 26577 .....	39

---

**K**

Knurled Nut	
24205 .....	19, 21

---

**L**

Leg Plate	
27926 .....	35
Leveling Leg	
34319 .....	47
Leveling Leg and Stabilizing Bar Assembly	
34443 .....	47
Lever	
33442 .....	27
Loading Door	
200893*P .....	25
Locking Bracket	
30642 .....	9, 11, 13, 15, 17
Locking Rod	
501365 .....	13
Locknut	
21899 .....	47
29220 .....	33
29786 .....	11, 13
52566 .....	19, 21, 23, 29
Lockwasher	
M400017 .....	5, 7, 15, 17, 19, 21, 23
02431 .....	5, 7, 15, 17, 19, 21, 23
03815 .....	51
21456 .....	39
21734 .....	5
91176 .....	19, 21

---

**M**

Magnet	
501453 .....	11, 13
Meter Case	
38542*P .....	13
524P3* .....	9, 11
Meter Case Gasket	
26354 .....	9, 11
Mixing Valve Assembly	
34963 .....	31
Mixing Valve Mounting Bracket	
39407 .....	31
Molex Housing	
32746 .....	51
34123 .....	51
34677 .....	49
Molex Terminal	
00188 .....	49, 51
Motor Assembly	
38034 .....	29
38035 .....	29
38036P .....	29
Motor Mount	
34788 .....	29
Motor Mount Post	
34791 .....	29

Motor Mounting Bracket	
37415 .....	29
Motor Shield	
34754 .....	29
Motor Switch	
35632 .....	29
Mounting Bracket	
35867 .....	47

---

**N**

Nut	
03673 .....	51
28803 .....	29
29786 .....	5, 9, 17
29796 .....	9, 11
35423 .....	29
52566 .....	5, 7, 15, 17

---

**O**

O-Ring	
36472 .....	33
Outer Tub	
34439P .....	35
Outer Tub Cover and Gasket Tool	
273P4 .....	55
Outer Tub Cover Assembly	
36025P .....	35
Output Shaft	
36570 .....	39
Overlay	
37589 .....	15

---

**P**

Pivot Dome	
34470 .....	45
Plastic Insulator	
70210 .....	51
Plug	
34153 .....	25
36511 .....	33
Power Cord	
34458 .....	51
39404 .....	51
Pressure Bulb	
30907 .....	35
Pressure Hose	
39124 .....	35
39125 .....	35
Pressure Switch	
35889 .....	19, 21, 23
Printed Circuit Board	
34522P .....	21
Pulley Assembly	
34923 .....	45
Pump Assembly	
200937P .....	29
Pump-to-Elbow Hose	
34581 .....	43

Push-on Clip 34762	21
Push-to-Start Sticker 53738	5

## R

Rack 31526	39
Reduction Gear 29161	39
Retainer Nut 27222	25, 37
30647	9, 11, 13, 15, 17
Retainer Ring 23748	29
27197	39
Right Angle 00120	51
Rivet 56534	25
Rubber Foot 34318	47

## S

Screw	
02916	7, 17
20267	51
21720	9, 11
23222	19, 21, 23
23962	5, 15, 17, 19, 21, 23, 27, 31, 47
27196	47
27220	45
27328	5
29273	39
31260	11
32814	39
33562	31
34337	25
34565	29
35148	47
35369	35, 45
35527	47
35528	19, 21, 23
36048	7, 9, 11, 13, 15
36510	27
36639	29
39733	47
500226	19, 21, 23
501524	17, 23
503661	29
503673	9, 11, 13, 15, 17, 25
51778	5
51780	47
52909	15, 25, 29, 43
80399	5
Screw and Lockwasher 23008	25
Seal 36425	33
Seal Tool 293P4	53

Sealant 37577P	39
Security Case 38145*	17
Security Case Harness 38026	56
Sensor Control 35026	11
Service Door 35798*	9, 11, 13, 15, 17
Shield 38754	17
Shoulder Bolt 27229	29
Shoulder Screw 39432	33
502431	9, 11
Silicone Lubricant 26594P	45
Siphon Break Kit 562P3	43
Slide 26493	39
Snubber Pad and Isolator Assembly 36108	47
Spade Terminal 00112	51
00121	49
00223	51
Special Screw 27030	39
Speed Nut 36020	25
Speed Switch 27762	19
Splined Insert 29728	33
Spring 33435	45
33443	27
Spring Hook 321P4	55
Sticker 500049	35
505281	25
Strain Relief 32219	41
38384	25
Support 34896	21
501523	15
Support Leg 34792	45
Switch 27762	21
33445	27
33527	27
34536	11
34599	11, 13
504570	13
81799	21
Switch Holder Kit 36497P	27

---

**T**

Terminal	
00116 .....	51
00117 .....	51
Terminal and Housing Assembly	
00234 .....	51
Terminal Block	
23033 .....	51
23041 .....	51
26163 .....	51
26301 .....	51
26302 .....	51
26708 .....	51
Terminal Extractor Tool	
283P4 .....	49
T-Handle Allen Wrench	
291P4 .....	55
Timer Assembly	
28716 .....	5
31111P .....	9
34601P .....	9
34602 .....	9, 11
Timer Bracket	
35249 .....	9, 11
Timer Case	
37733W .....	5
37733* .....	7
Timer Harness	
29281 .....	56
34092 .....	56
34175 .....	56
34239 .....	56
36094 .....	56
37525 .....	56
39806P .....	56
39811 .....	56
Timer Knob Assembly	
26256 .....	5
Timer Plate	
31864W .....	5
Torx Bit Holder	
24161 .....	53
Transmission Assembly	
34526P .....	37
Transmission Case Assembly	
33223 .....	39
Transmission Cover Assembly	
38290 .....	39
Transmission Oil	
27243P .....	39
Transmit Light	
34701 .....	21
Tub-to-Pump Hose	
35752 .....	41, 43
T15 Tamper Resistant Bit	
281P4 .....	53
T25 Tamper Resistant Bit	
282P4 .....	53

---

**W**

Wash Temperature Switch	
81799 .....	19
Washer	
23225 .....	5, 17
26509 .....	39, 45
27015 .....	45
29260 .....	39
29443 .....	29
30627 .....	5, 17
35092 .....	39
35535 .....	45
35774 .....	9, 11, 13, 15, 25
35917 .....	9, 11, 13, 15, 25
52549 .....	29
81392 .....	29
Washtub	
39252P .....	33
39387P .....	33
Wire Clip	
504034 .....	51
51291 .....	51
Wire Connector	
M400149 .....	15
Wire Tie	
55881 .....	51
Wire, 12 Gauge	
45380 .....	56
Wire, 18 Gauge	
45001 .....	56

---

