



AD-75 Parts Manual

(for models mfd. prior to February 1988)

American Dryer Corporation
88 Currant Road
Fall River, MA 02720-4781
Telephone: (508) 678-9000 / Fax: (508) 678-9447
E-mail: techsupport@amdry.com

ADC Part No. 450073

Retain This Manual In A Safe Place For Future Reference

American Dryer Corporation products embody advanced concepts in engineering, design, and safety. If this product is properly maintained, it will provide many years of safe, efficient, and trouble-free operation.

ONLY properly licensed technicians should service this equipment.

OBSERVE ALL SAFETY PRECAUTIONS displayed on the equipment or specified in the installation/operator's manual included with the dryer.

WARNING: UNDER NO CIRCUMSTANCES should the door switch or the heat circuit devices ever be disabled.

WARNING: The dryer *must never* be operated with any of the back guards, outer tops, or service panels removed. PERSONAL INJURY or FIRE COULD RESULT.

We have tried to make this manual as complete as possible and hope you will find it useful. ADC reserves the right to make changes from time to time, without notice or obligation, in prices, specifications, colors, and material, and to change or discontinue models.

Important

For your convenience, log the following information:

DATE OF PURCHASE _____ MODEL NO. **AD-75** _____

DISTRIBUTORS NAME _____

Serial Number(s) _____

Replacement parts can be obtained from your distributor or the ADC factory. When ordering replacement parts from the factory, you can FAX your order to ADC at (508) 678-9447 or telephone your orders directly to the ADC Parts Department at (508) 678-9000. Please specify the dryer **model number** and **serial number** in addition to the **description** and **part number**, so that your order is processed accurately and promptly.

The illustrations on the following pages may not depict your particular dryer exactly. The illustrations are a composite of the various dryer models. Be sure to check the descriptions of the parts thoroughly before ordering.

“IMPORTANT NOTE TO PURCHASER”

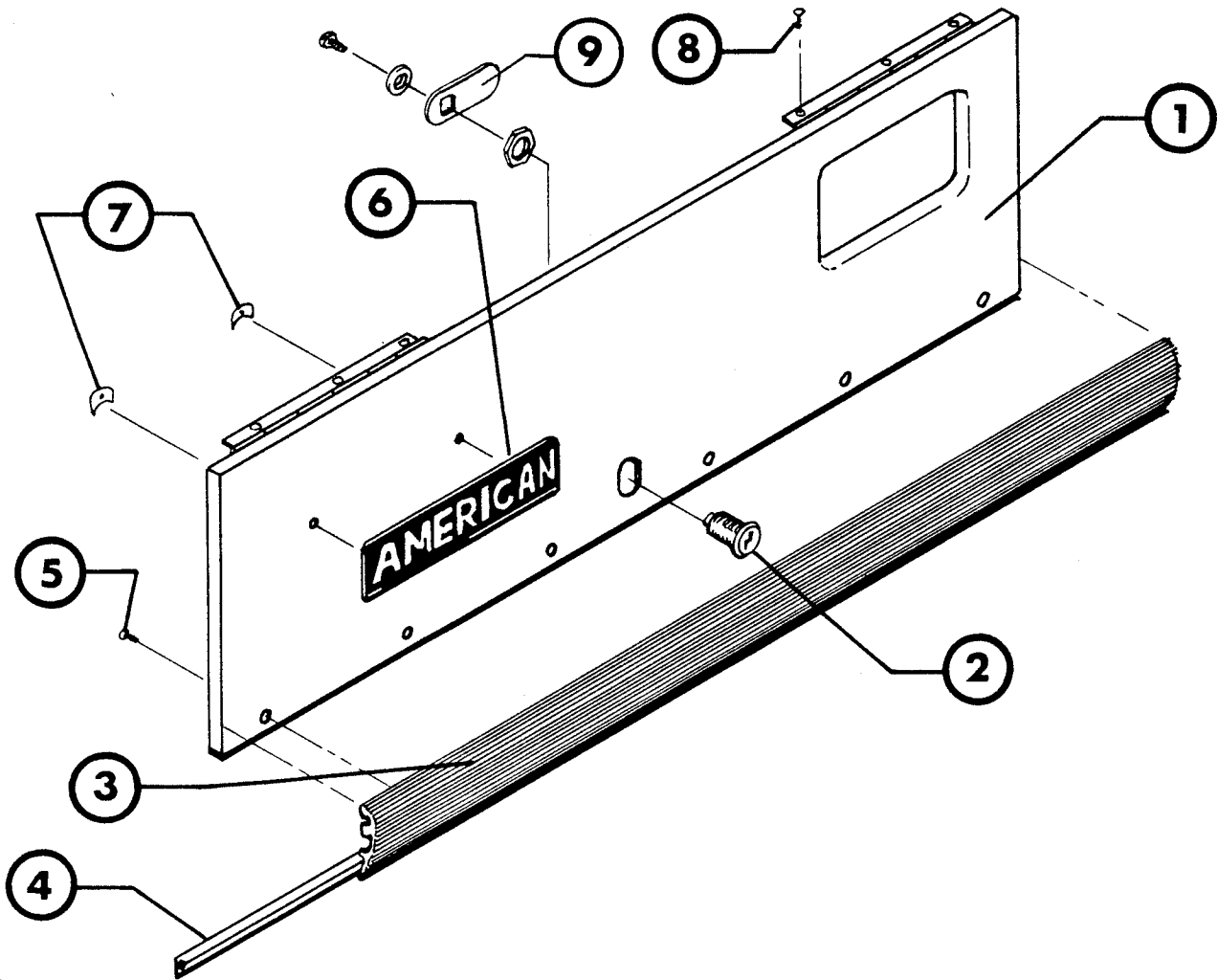
Information must be obtained from your local gas supplier on the instructions to be followed if the user smells gas. These instructions must be posted in a prominent location near the dryer.

When ordering replacement parts from your distributor or the factory, specify the dryer model number and serial number in addition to the part description and part number, so that your order is processed accurately and promptly.

The illustrations on the following pages may not depict your particular dryer exactly. The illustrations are a composite of various dryer models. Be sure to check the description of the part before ordering.

TABLE OF CONTENTS

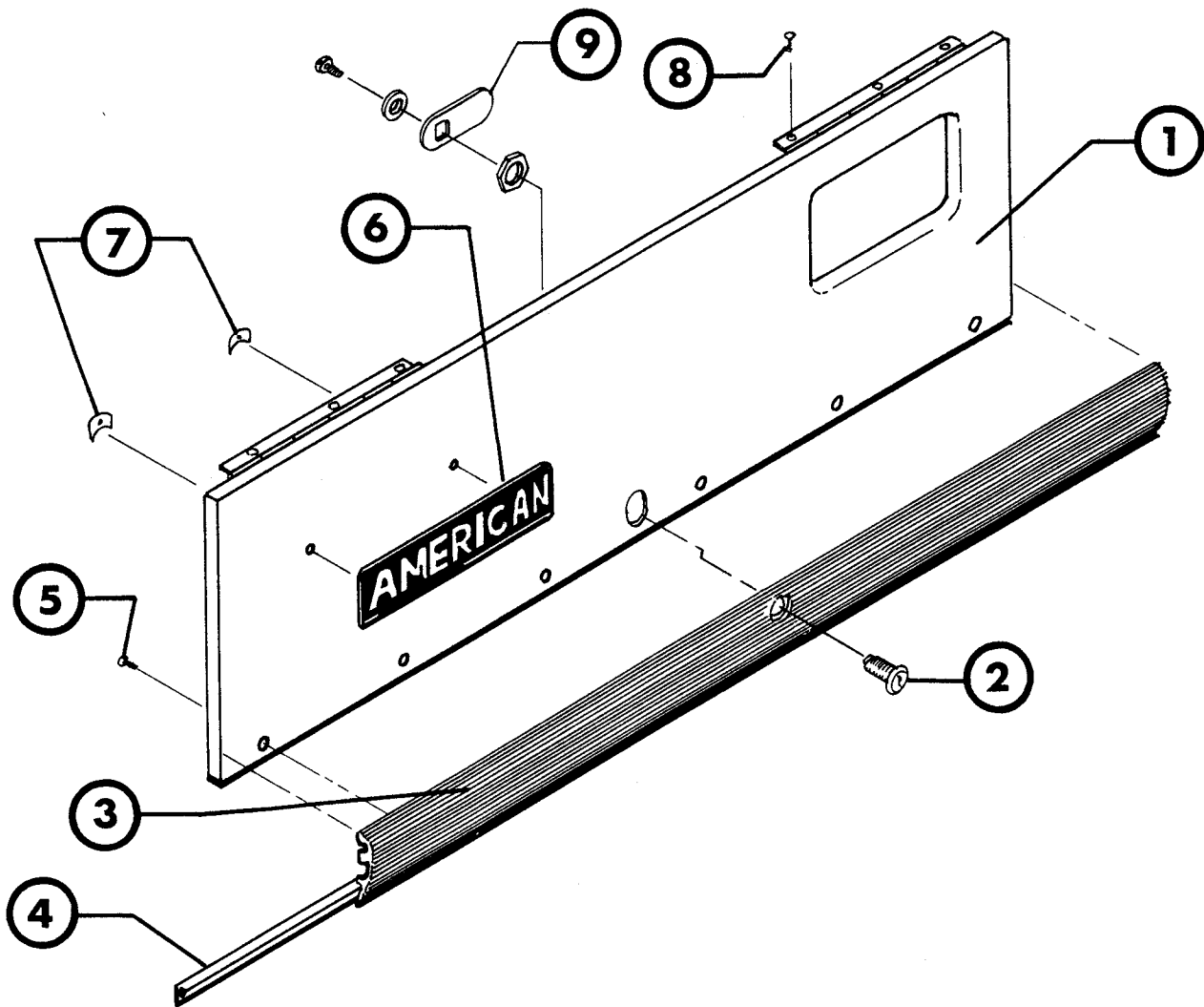
Control Door Assembly (standard).....	2
Control Door Assembly (high security).....	3
Microprocessor Control Panel Assembly.....	4 & 5
Control Box Assembly (computer models).....	6 & 7
Dual Timer Control Panel Assembly.....	8 & 9
Control/Heat Step Down Transformer (gas/steam).....	10
Control/Heat Step Down Transformer Wiring.....	11
Stainless Steel Main Door Assembly.....	12
Cast Aluminum Main Door Assembly.....	13
Front Panel Assembly (stainless steel main door)....	14
Front Panel Assembly (cast aluminum main door).....	15
Lint Door Assembly.....	16
Lint Trap Assembly.....	17
Sensor Bracket Assembly.....	18 & 19
Standard (non-computer) Burner Assembly.....	20 & 21
Hi/Lo Computerized Burner Assembly.....	22 & 23
Hi/Lo Solenoid/Manifold Burner Assembly.....	24 & 25
Sail Switch Assembly (gas models).....	26
1/2" Gas Valve Replacement Cap (coil) Assembly.....	27
Electric Oven Assembly.....	28 & 29
Electric Oven Component Application Chart.....	30
Steam Coil/Valve Assembly.....	31
Tumbler Bearing Assembly.....	32
Tumbler Assembly.....	33
Idler Assembly.....	34 & 35
Non-Reversing Motor Assembly.....	36 & 37
Reversing Motor Assembly.....	38 & 39
Microprocessor Reversing Control Assembly.....	40
Dual Timer Reversing Controls.....	41
3-Phase Non-Reversing Controls.....	42
Outer Top/Back Guard Assembly (gas and electric)....	43
Back Guard Assembly (steam).....	44
Additional Parts Available But Not Illustrated.....	45



STANDARD CONTROL DOOR ASSEMBLY

<u>Illus. No.</u>	<u>Part No.</u>	<u>Qty.</u>	<u>Description</u>
1	800007*	1	Control Door Assembly Complete (less lock and logo)
2	160003	1	Dummy Lock
	160104	1	Master Service Key Only (MK-100)
3	180212	1	Trim Strip
4	102307	3	Bumper Gasket (sold in feet)
5	150201	6	10/32x1/4 Phil. R.H. Machine Screw
6	112302	1	American Computer Logo
	112314	1	American Fluff Dry Logo
7	154002	2	1/8" Push-on Fastener
8	150300	4	#10x1/2" S.D. Screw
9	160008	1	Lock Cam

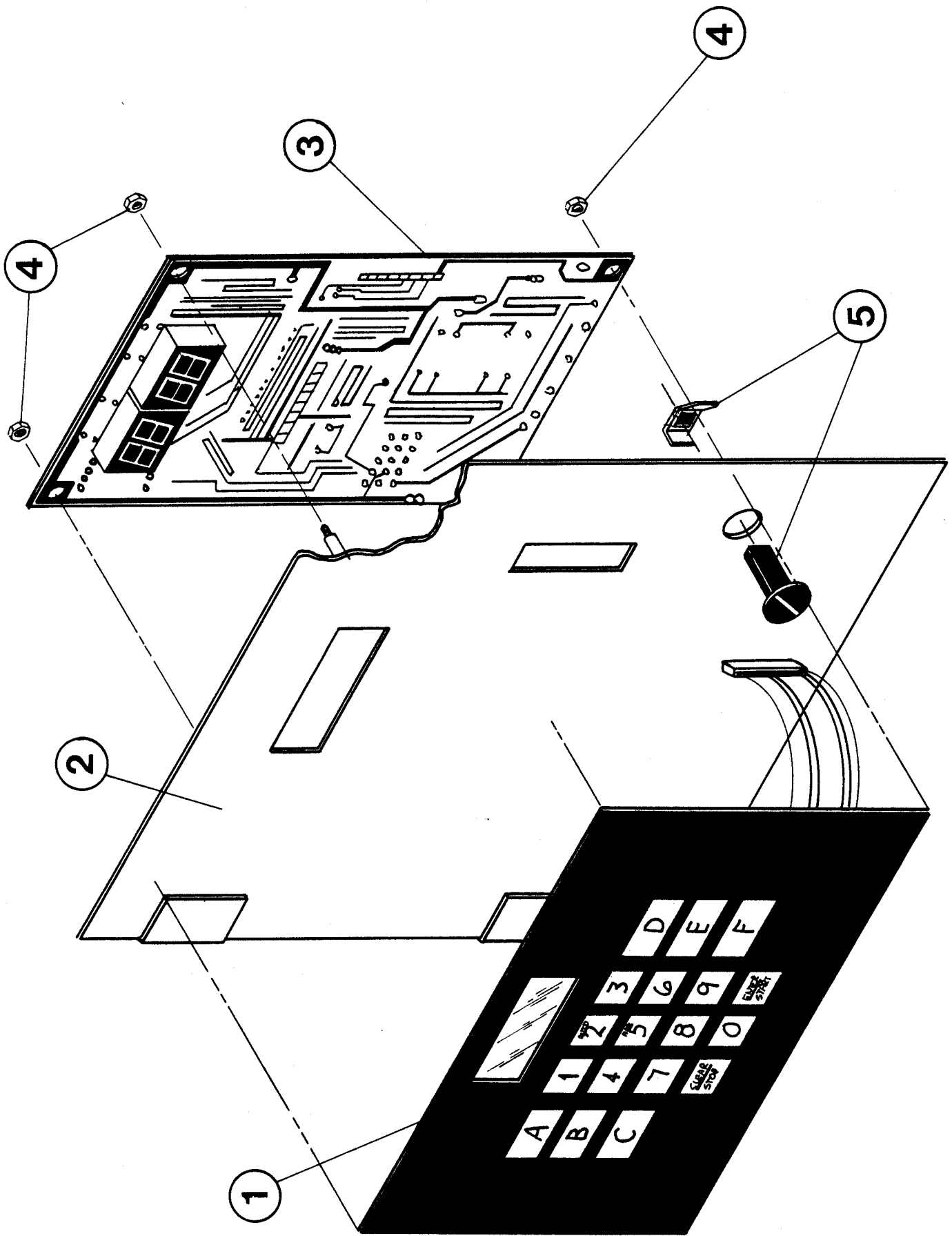
* Specify color



HIGH SECURITY CONTROL DOOR ASSEMBLY

<u>Illus. No.</u>	<u>Part No.</u>	<u>Qty.</u>	<u>Description</u>
1	800020*	1	AD-75 High Security Control Door Assy. Complete (less lock and logo)
2	160015	1	High Security Dummy Lock
	160104	1	Master Service Key Only (MK-100)
3	180202	1	Trim Strip
4	102307	3	Bumper Gasket (sold in feet)
5	150201	6	10/32x1/4 Phil. R.H. Machine Screw
6	112302	1	American Computer Logo
	112314	1	American Fluff Dry Logo
7	154002	2	1/8" Push-on Fastener
8	150300	4	#10x1/2" S.D. Screw
9	160016	1	Lock Cam

* Specify color

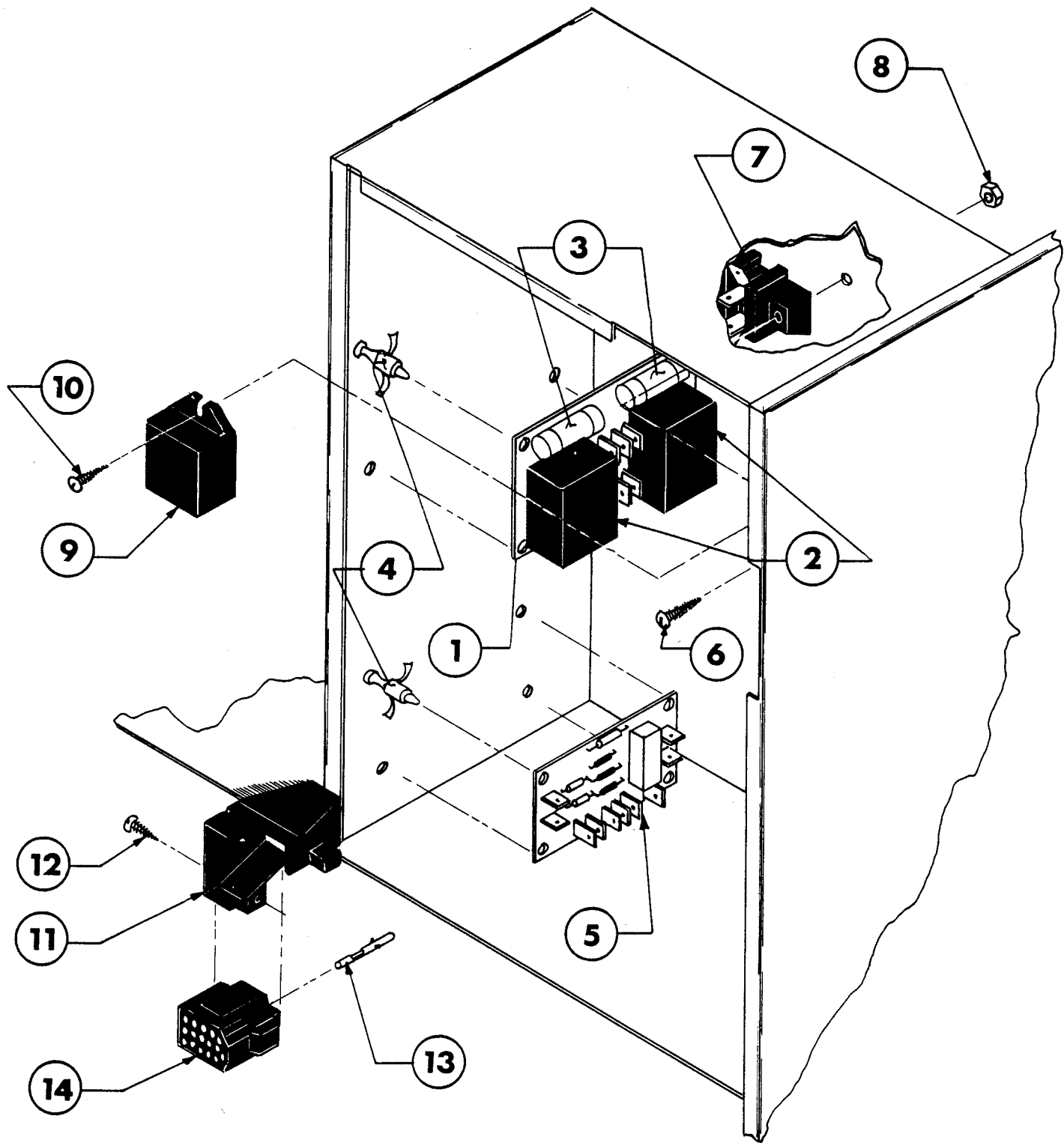


PHASE 3 O.P.L. CONTROL PANEL ASSEMBLY

<u>Illus. No.</u>	<u>Part No.</u>	<u>Qty.</u>	<u>Description</u>
1	112535	1	Phase 3 O.P.L. Keyboard Label Assembly
2	800057	1	Control Panel Only
	800164	1	Control Panel Only with Battery Brkt.
3	137092	1	Non-Rev. Controller (115/230V)
	137093	1	Non-Rev. Controller (115/230V) with Battery Clip
	137088	1	Non-Rev. Controller (208V)
	137089	1	Non-Rev. Controller (208V) with Battery Clip
	137094	1	Reversing Controller (115/230V)
	137095	1	Reversing Controller (115/230V) with Battery Clip
	137090	1	Reversing Controller (208V)
	137091	1	Reversing Controller (208V) with Battery Clip
4	152001	4	8/32 Hex Nut
5	160005	1	Turn Latch

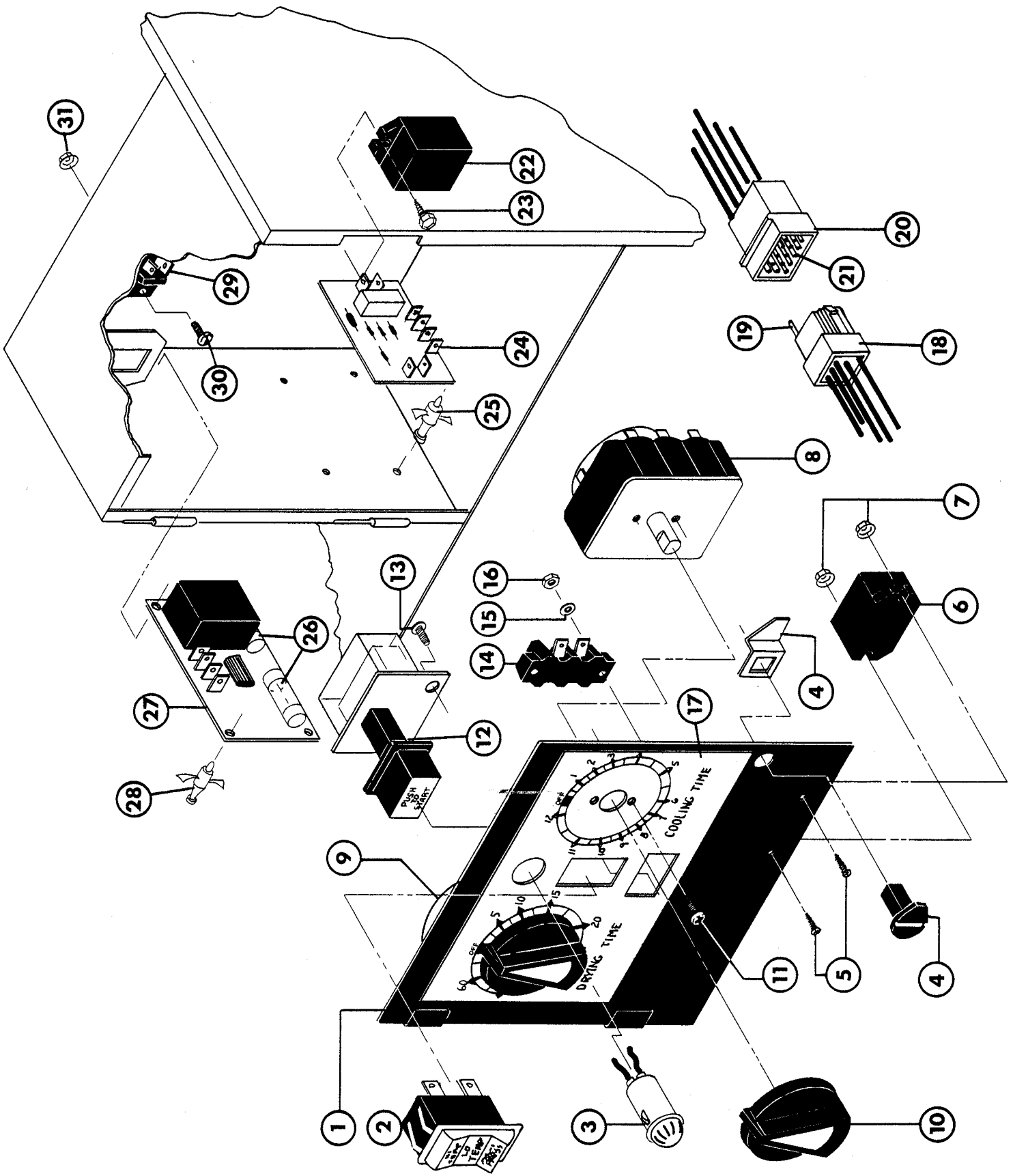
PHASE 3 O.P.L. CONTROL PANEL ASSEMBLY COMPLETE

<u>Part No.</u>	<u>Description</u>
800161	Phase 3 Non-Reversing 115/230V
800163	Phase 3 Non-Rev. 115/230V with Battery Option
800160	Phase 3 Non-Reversing 208V
800162	Phase 3 Non-Rev. 208V with Battery Option
865088	Phase 3 Reversing 115/230V
865089	Phase 3 Rev. 115/230V with Battery Option
865090	Phase 3 Reversing 208V
865091	Phase 3 Reversing 208V with Battery Option



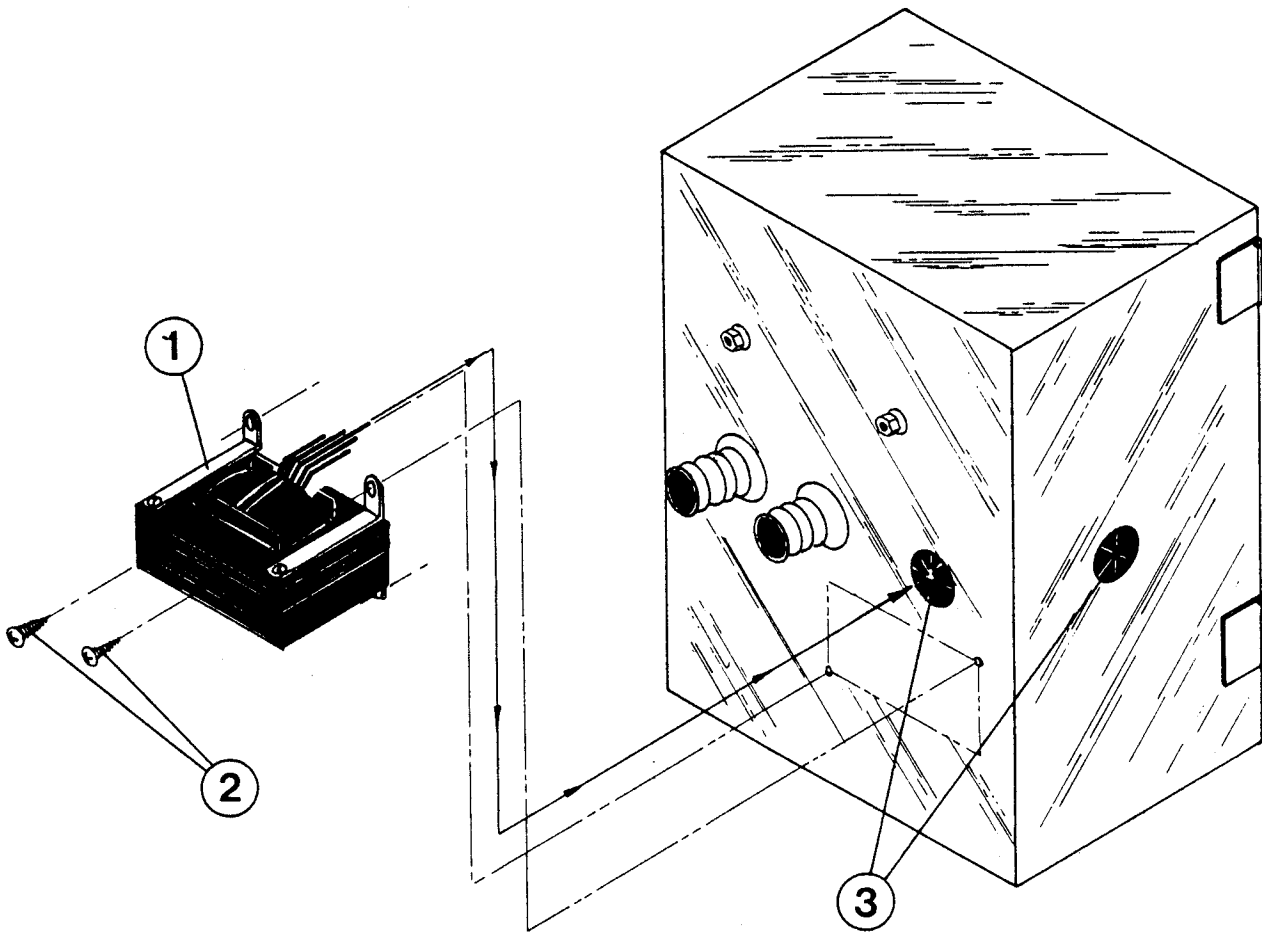
CONTROL BOX ASSEMBLY (COMPUTER MODELS)

<u>Illus.</u> <u>No.</u>	<u>Part</u> <u>No.</u>	<u>Qty.</u>	<u>Description</u>
1	-	-	<u>Relay Board Assy. Complete (less fuses)</u>
	137077	1	1-Phase Gas Models (with 115 VAC controls)
	137079	1	3-Phase Gas Models (with 208 or 230V controls)
	137076	1	Steam Models (with 115V controls)
	137078	1	Steam Models (with 208 or 230V controls)
	137076	1	Electric Models (208V-3Ph-4 wire with 115V controls)
	137078	1	Electric Models (208V or 230V controls)
	137061	1	Relay (A.S.) Board Only
2	131916	2	P.C.B. Relay 115V (check voltage application)
	131930	2	P.C.B. Relay 208/230V (check voltage application)
3	136052	2	4 Amp Fuse
4	137013	8	Nylon Standoff
5	140150	1	Diode Logic Board (gas models only)
6	150002	2	6/32x1" R.H. Machine Screw
7	120709	1	Terminal Strip (8-position)
8	151000	2	6/32 Pa1 Nut
9	131815	1	Moto. Relay 230VAC (gas hi/lo reversing models with 1-phase blower motor only)
	131030	1	Steam Valve Relay 110VAC (hi-pressure 110VAC steam models only)
	131031	1	Steam Valve Relay 208/230V (hi-pressure 208 or 230VAC steam models only)
10	150300	2	#10x1/2" S.D. Screw
11	137022	1	Strain Relief
12	150301	1	#8x7/16" TEK Screw
13	137021	15	M.P. Sockets Only
--	122800	--	M.P. Pin (socket) Extractor Tool
14	137020	1	15-Pin Connector Only



DUAL TIMER CONTROL PANEL ASSEMBLY

<u>Illus. No.</u>	<u>Part No.</u>	<u>Qty.</u>	<u>Description</u>
1	800081	1	Dual Timer Control Panel Assy. (less timers and knobs) 110VAC
	800083	1	Dual Timer Control Panel Assy. (less timers and knobs) 230VAC
	800051	1	Dual Timer Control Panel Only
2	122400	1	Rocker Heat Selector Switch
3	123000	1	Indicator Light 110VAC
	123001	1	Indicator Light 230VAC
4	160005	1	Spring Turn Latch
5	150001	2	6/32 x 1/2" R.H. Machine Screw
6	131030	1	110VAC Dual Timer Relay
	131031	1	230VAC Dual Timer Relay
7	151000	2	6/32 Pal Nut
8	124022	1	15-Minute 115VAC Timer
	124023	1	15-Minute 230VAC Timer
9	124020	1	60-Minute 115VAC Timer
	124021	1	60-Minute 230VAC Timer
10	124103	2	Arrow Timer Knob
11	150110	4	8/32 x 1/4" Phil. Machine Screw
12	131812	1	Push-to-Start Relay 110VAC
	131813	1	Push-to-Start Relay 230VAC
13	150207	2	10/24 x 1/2" R.H. Machine Screw
	154001	2	10/24 Speed Nut
14	120708	1	Terminal Strip (3-position)
15	153017	2	#6 Steel Burr
16	152013	2	6/32 Hex Nut
17	112050	1	Dual Timer Label
18	122602	1	9-Pin Connector Only
19	122700	9	Pin Terminal Only
20	122603	1	9-Pin Socket Connector Only
21	122701	9	Socket Terminal Only
22	131814	1	Motor Relay 110VAC
	131815	1	Motor Relay 230VAC
23	150300	2	#10 x 1/2" S.D. Screw
24	140150	1	Diode Logic Board (gas models only)
25	137013	4	Nylon Standoff (gas models only)
26	-	-	<u>High Pressure Steam Models Only</u>
	136056	1	20 Amp Slo Blo Fuse (F1A side for 115V controls)
	136054	1	15 Amp Slo Blo Fuse (F1A side for 208/230V controls)
	136052	1	4 Amp Fuse (F2A side only)
27	137081	1	Steam Relay Board (115VAC high pressure steam models only)
	137083	1	Steam Relay Board (208/230VAC high pressure steam models only)
28	137013	4	Nylon Standoff (high pressure steam models only)
29	120709	1	Terminal Strip (8-position)
30	150002	2	6/32 x 1" R.H. Machine Screw
31	151000	2	6/32 Pal Nut



CONTROL/HEAT STEPDOWN TRANSFORMER

<u>Illus. No.</u>	<u>Part No.</u>	<u>Qty.</u>	<u>Description</u>
1	132002*	1	200 Watt Transformer
	880210	1	Terminal Package for GB Transformer
2	150300	2	#10x1/2" S.D. Screw
3	121400	-	Universal Bushing

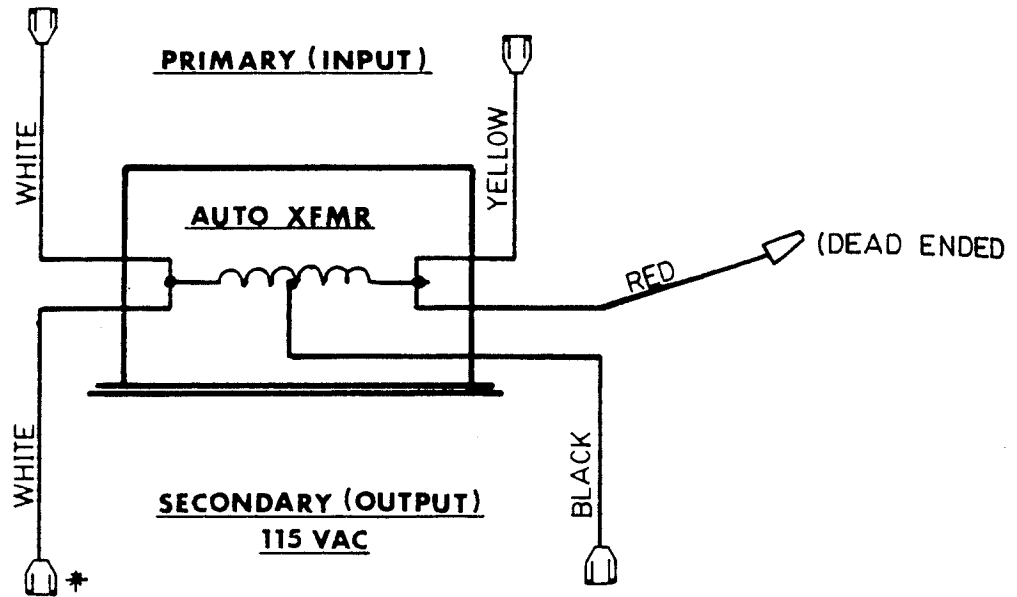
*208/230V control gas and high pressure steam models only

Ignition Circuit Transformer Wiring
(208/230 Volt Models Only)

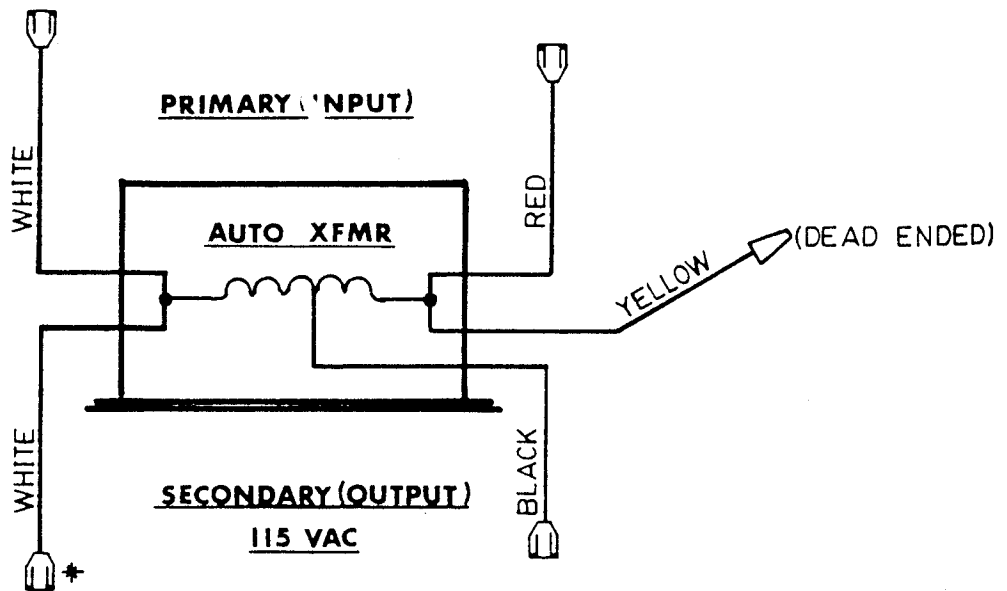
200 Watt Transformer

ADC P/N 132002

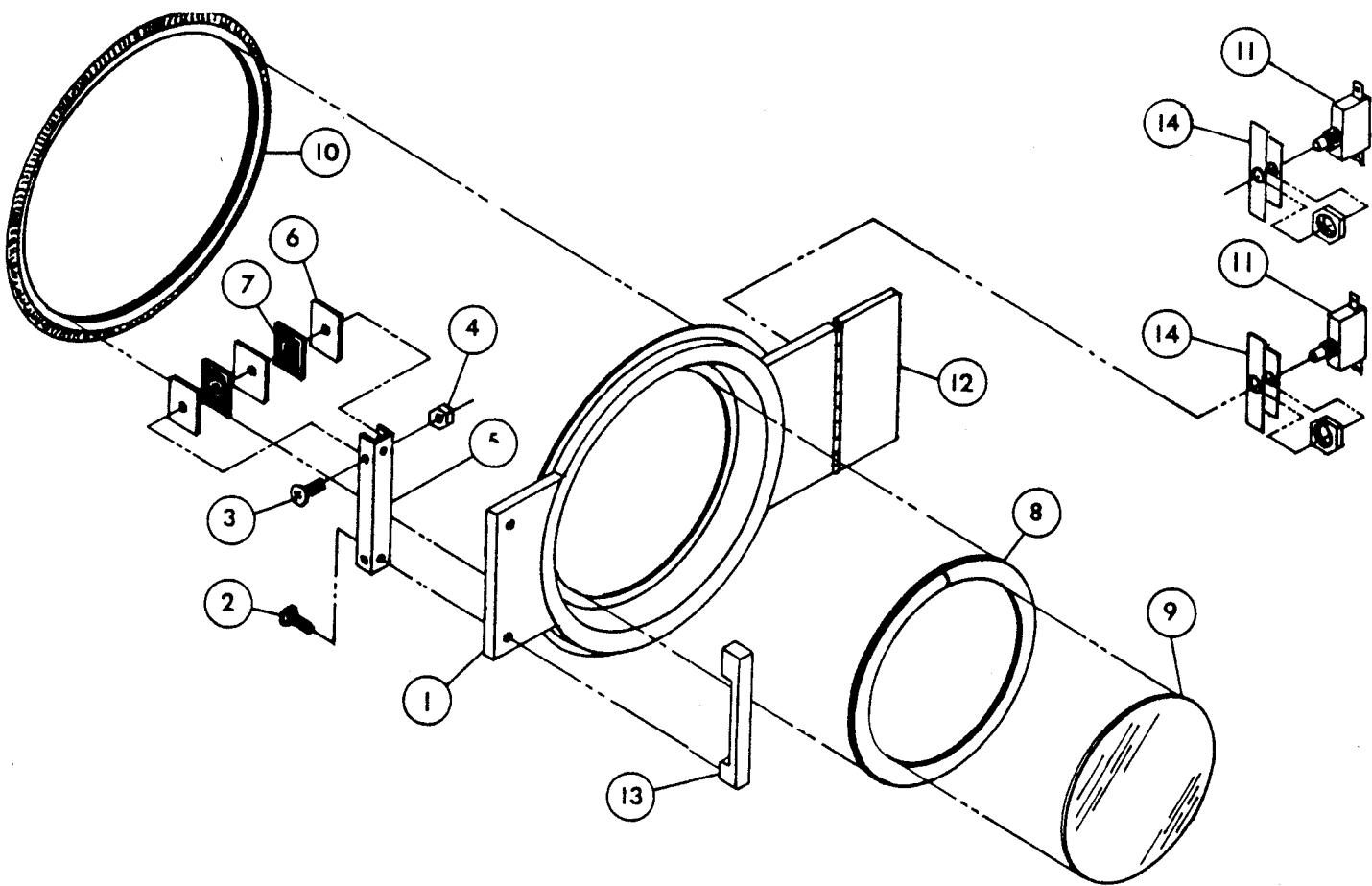
208 Vac Controls



230 Vac Controls



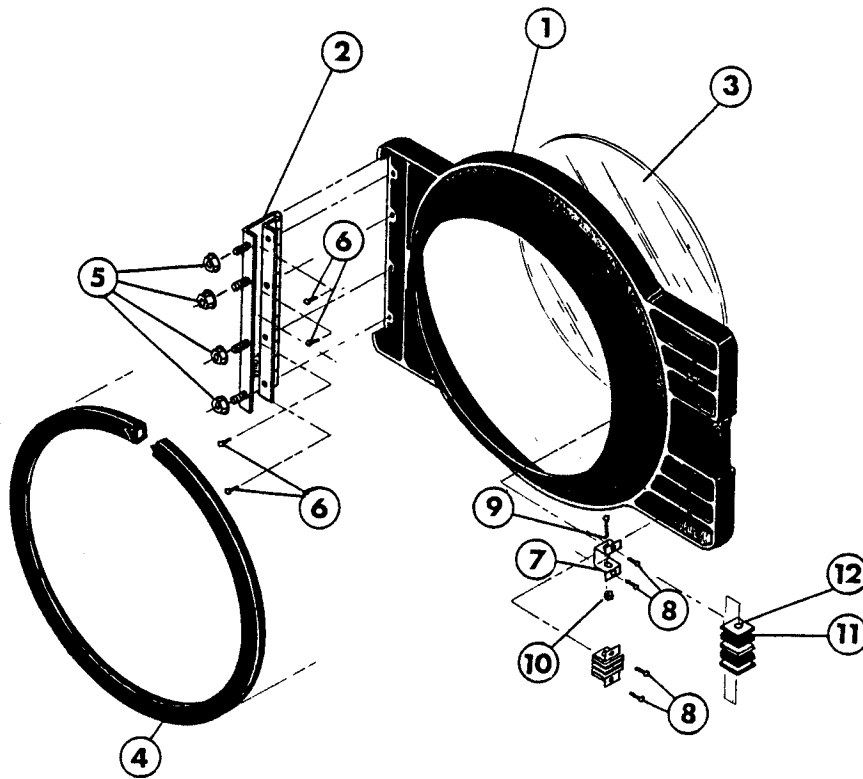
* LEAD NOT USED ON COMPUTER HI/LO MODELS



STAINLESS STEEL MAIN DOOR ASSEMBLY

(ON MODELS MANUFACTURED PRIOR TO 8/11/86)

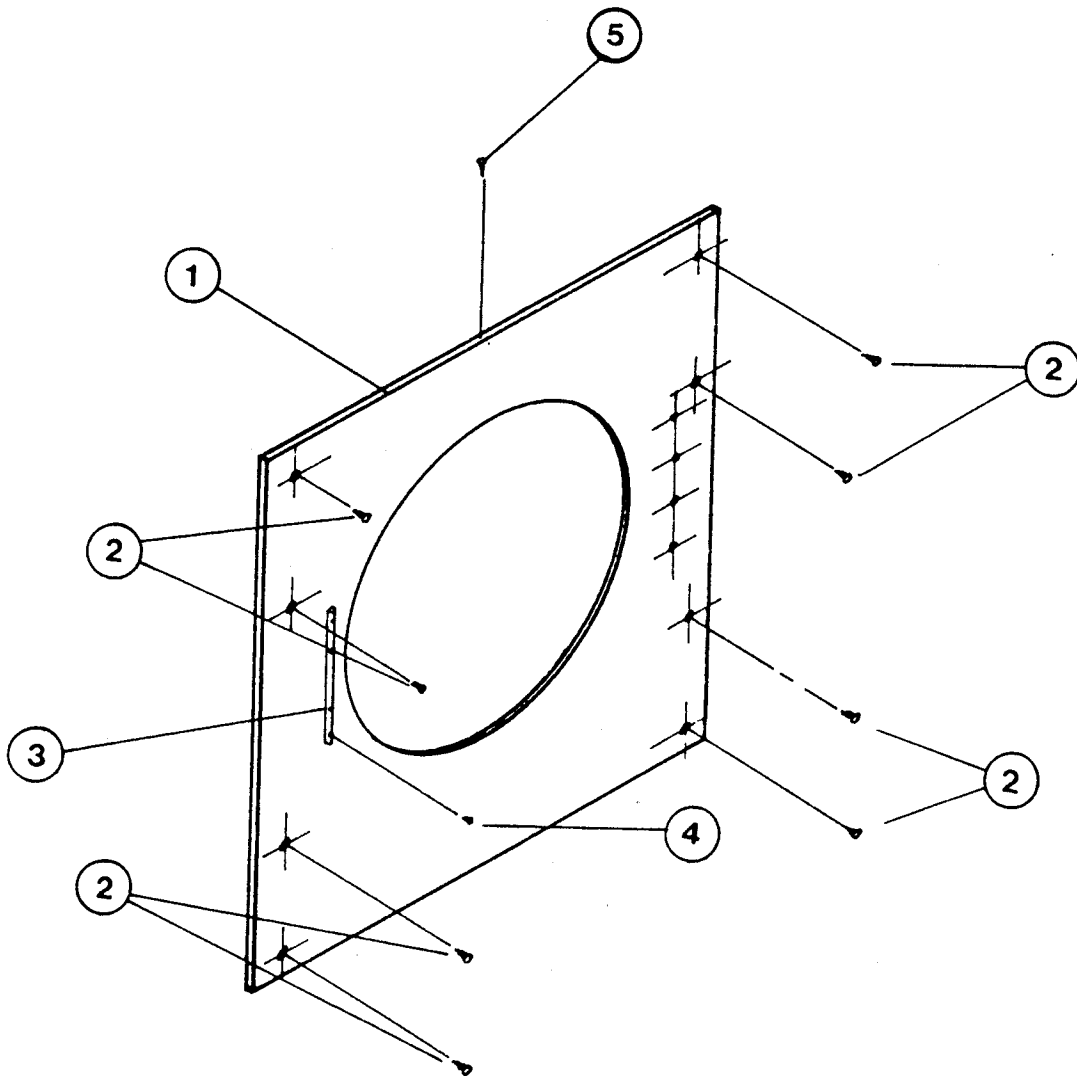
<u>Illus. No.</u>	<u>Part No.</u>	<u>Qty.</u>	<u>Description</u>
1	800116	1	S.S. Main Door Only
	800119	1	AD-75 S.S. Main Door Assembly Complete Including Hinge Block (excluding door switch)
2	150111	2	1/4-20x1/2" R.H. Machine Screw
3	150002	2	6/32x1" R.H. Machine Screw
4	152000	2	6/32 Hex Nut
5	306803	1	Magnet Holder
6	306802	6	Magnet Keeper
7	102102	4	Magnets
	800130	1	Magnet Channel Assembly Complete (includes illustration nos. 3, 4, 5, 6, and 7)
8	102305	1	Glass Gasket (63")
9	102203	1	Glass (19-1/2")
10	102306	1	Door Gasket (71")
11	137006	1	Door Switch (computer models only)
	122100	1	Door Switch (non-computer models)
	152003	2	Door Switch Nuts
12	800347	1	AD-75 Right Hinge Pad Only
13	170202	1	Main Door Handle (10-1/4")
14	313203	1	Main Door Switch Mounting Bracket



CAST ALUMINUM MAIN DOOR ASSEMBLY

(ON MODELS MANUFACTURED AS OF 8/11/86)

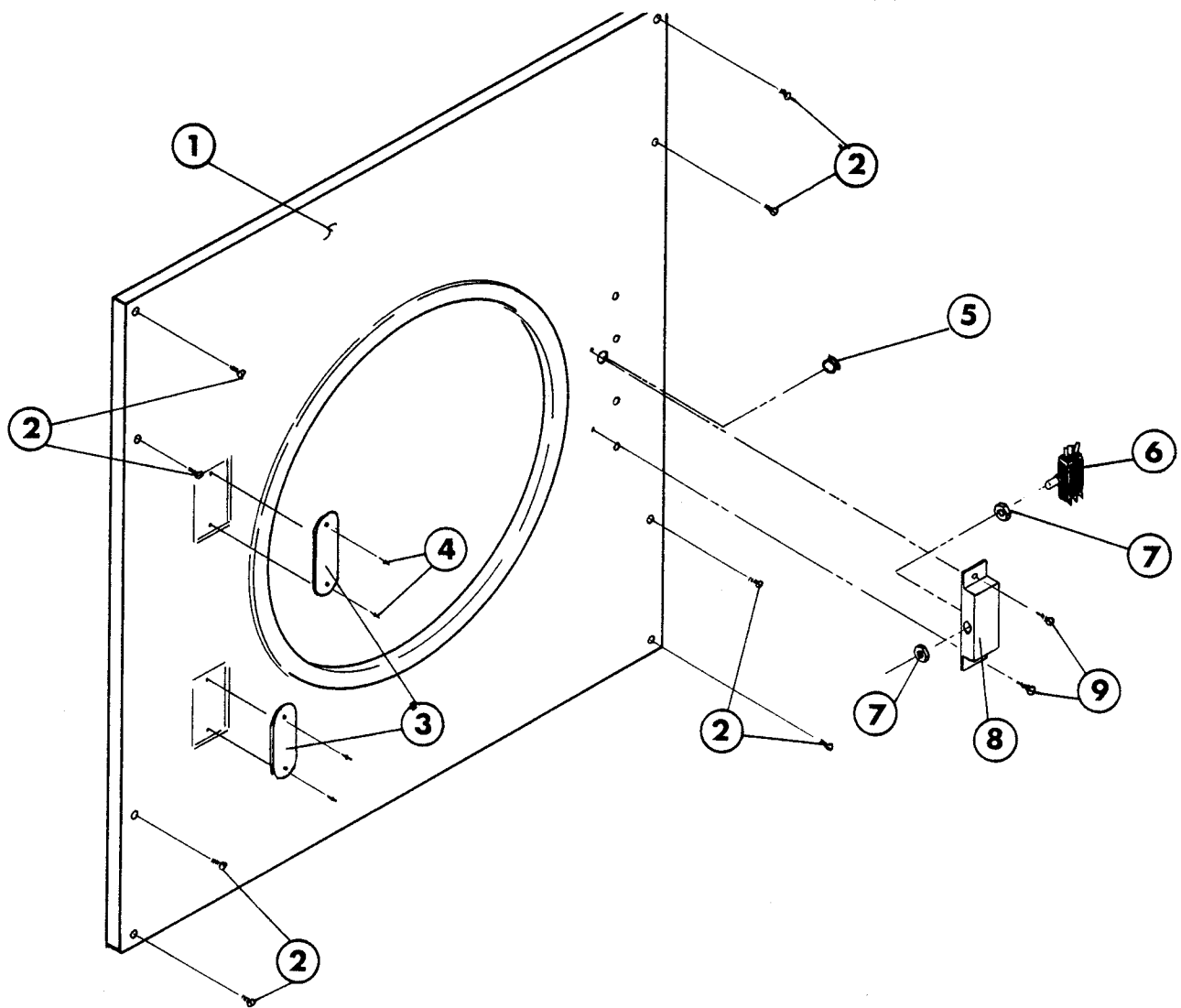
<u>Illus. No.</u>	<u>Part No.</u>	<u>Qty.</u>	<u>Description</u>
1	800133	1	AD-75 Cast Aluminum Main Door Assembly Less Accessories (includes illus. nos. 1, 2, and 6 only)
	800136	1	AD-75 Cast Aluminum Main Door Assembly Complete (includes illus. nos. 1 through 12)
2	880312	1	12-1/2" S.S. Main Door Hinge
3	102210	1	20-1/2" Glass
	170725	1	Adhesive for Mounting Glass (2.8 oz. tube)
4	102350	1	73" Main Door Gasket
	170725	1	Adhesive for Mounting Gasket (2.8 oz. tube)
5	152014	4	1/4"-20 Free Spin Washnut
6	150410	4	10-24x3/8" Phil. P.H. Taptite
7	102105	2	Magnet Holder
8	150410	4	10-24x3/8" Phil. P.H. Taptite
9	150002	2	6-32x1" R.H. Machine Screw
10	152013	2	6-32 Hex Nut
11	102102	4	Magnet (.215)
12	306802	6	Magnet Keepers



STAINLESS STEEL DOOR FRONT PANEL ASSEMBLY

<u>Illus. No.</u>	<u>Part No.</u>	<u>Qty.</u>	<u>Description</u>
1	800363*	1	AD-75 Front Panel with Insulation
2	150200	8	10/32x1/2" Tappit Screw
3	313902	1	Striker Pad (15-3/4")
4	154200	3	Pop Rivets (5/32)
5	150300	1	#10x1/2" S.D. Screw

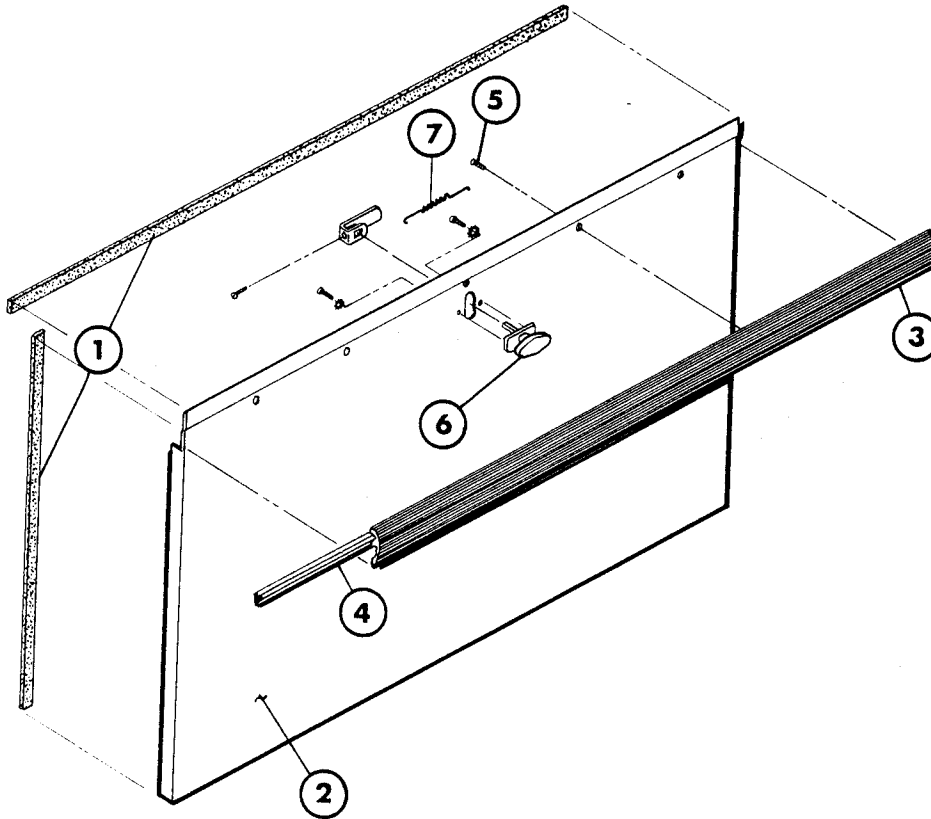
* Specify color



CAST ALUMINUM DOOR FRONT PANEL ASSEMBLY

<u>Illus. No.</u>	<u>Part No.</u>	<u>Qty.</u>	<u>Description</u>
1	800373*	1	AD-75 RH Insulated Front Panel Assy.
2	150200	8	10-32x1/2" Tappit Screw
3	313903	2	3-1/2" Striker Pad
4	154200	4	5/32" Pop Rivet
5	121401	1	Rubber Grommet
6	137006	1	Door Switch
7	152003	2	Door Switch Nuts
8	313209	1	Door Switch Housing (box only)
9	150301	2	#8-18x7/16" TEK Screw
	870010	1	Door Switch Housing Assembly Complete (includes illus. nos. 6, 7, 8, and 9)

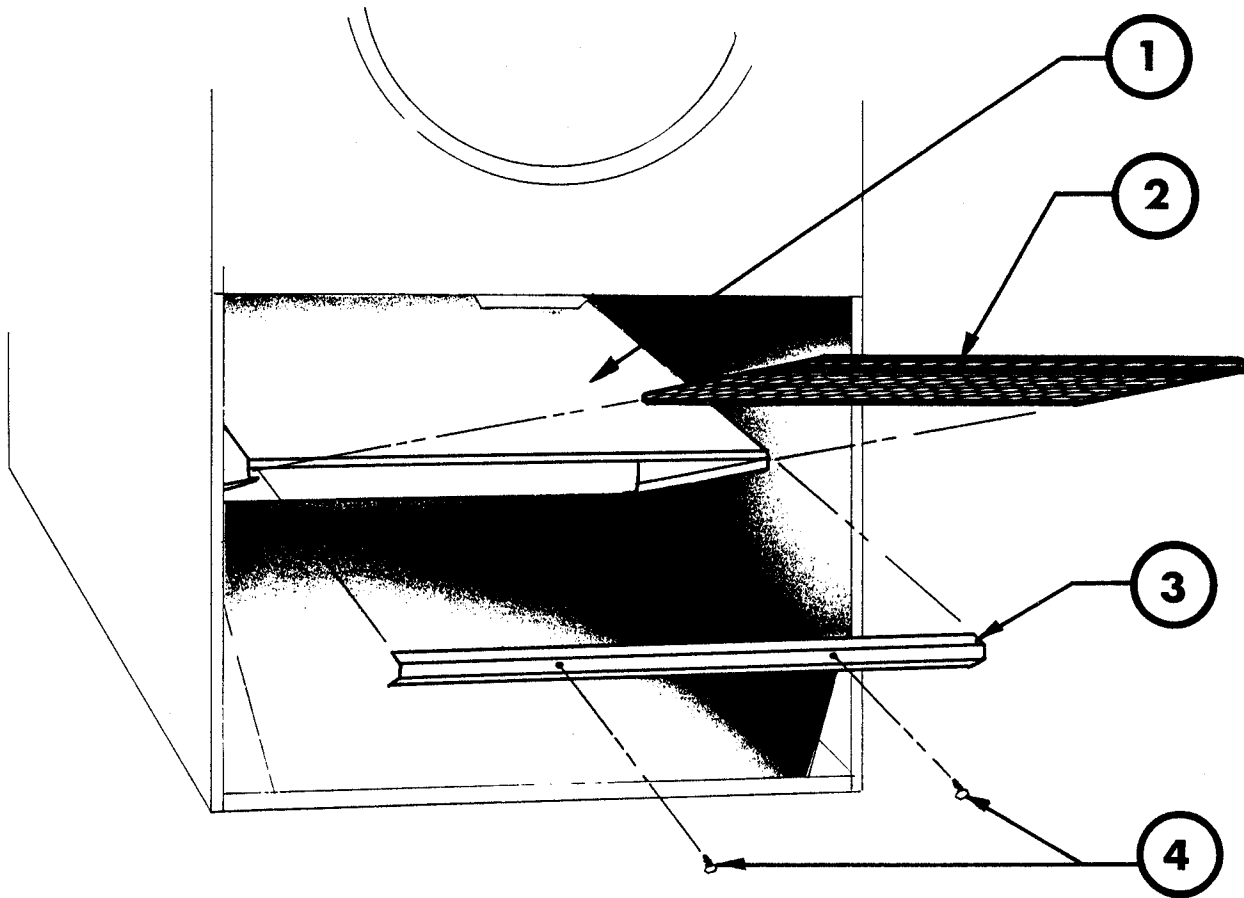
*Specify color when ordering



LINT DOOR ASSEMBLY

<u>Illus. No.</u>	<u>Part No.</u>	<u>Qty.</u>	<u>Description</u>
1	117600	3	Noise Suppressor Tape (sold in feet)
2	800217*	1	Un-insulated Lint Door Assembly
	800235*	1	Insulated Lint Door Assembly
	108120	1	Chain for Lint Door (sold in feet)
3	180212	1	38" Middle Trim
4	102307	3	Bumper Gasket (sold in feet)
5	150201	6	10/32x1/4" Phil. R.H. Machine Screw
6	800150	1	Knob Latch Kit Assembly (standard)
	160003	1	Dummy Lock (optional)
	160104	1	Master Key Only (MK-100)
7	157000	1	Spring
8	160009	1	Knob Latch Adjustable Cam

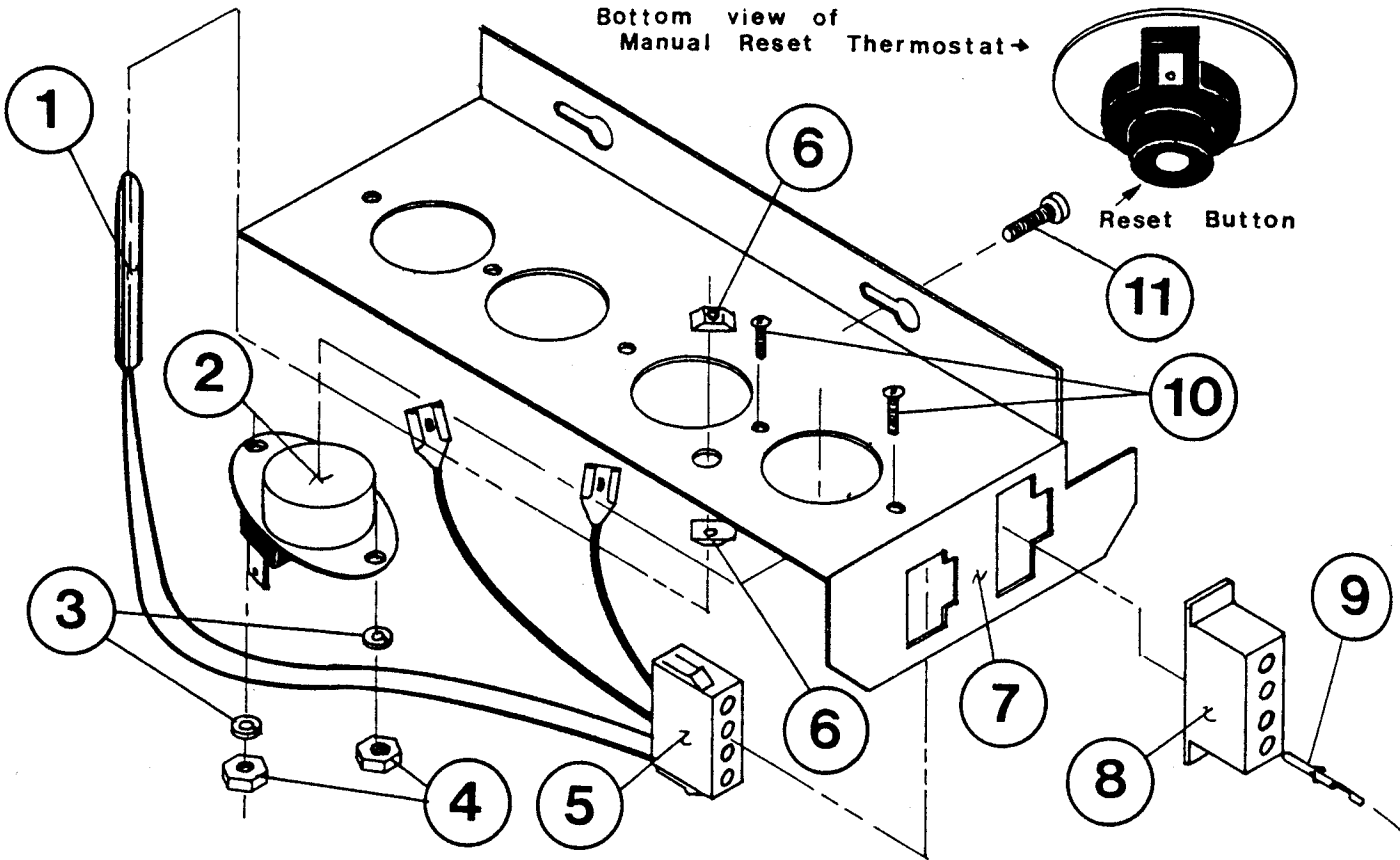
* Specify color



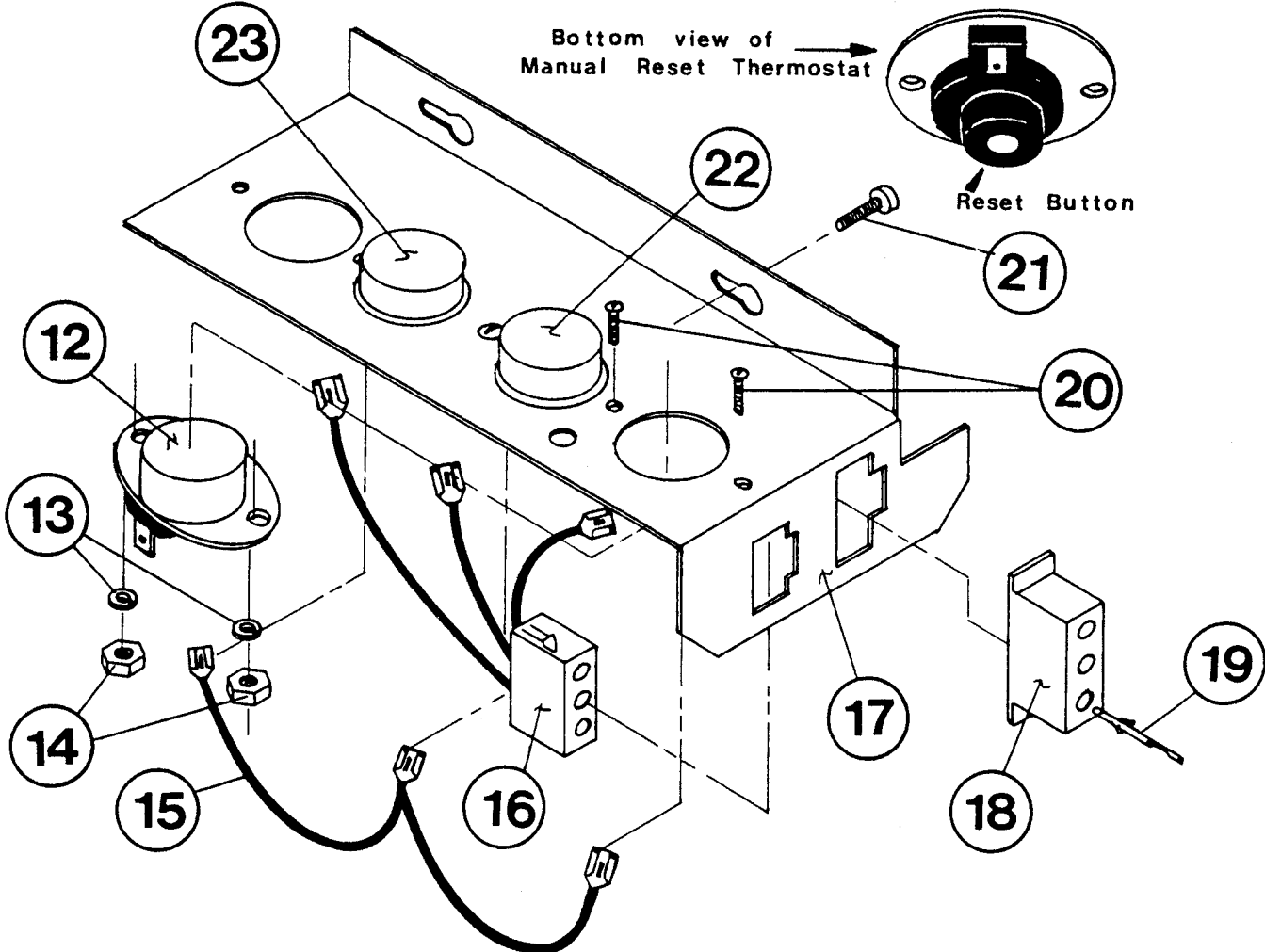
LINT TRAP ASSEMBLY

<u>Illus. No.</u>	<u>Part No.</u>	<u>Qty.</u>	<u>Description</u>
1	800404	1	Lint Trap Only (non-rev.)
	800406	1	Lint Trap Only (reversing)
	800402	1	Lint Trap Assy. Complete (non-rev.)
	800407	1	Lint Trap Assy. Complete (reversing)
2	800501	1	Lint Screen
3	304101	1	Lint Screen Hold-down
4	150300	2	#10x1/2" S.D. Screw

Bottom view of
Manual Reset Thermostat →

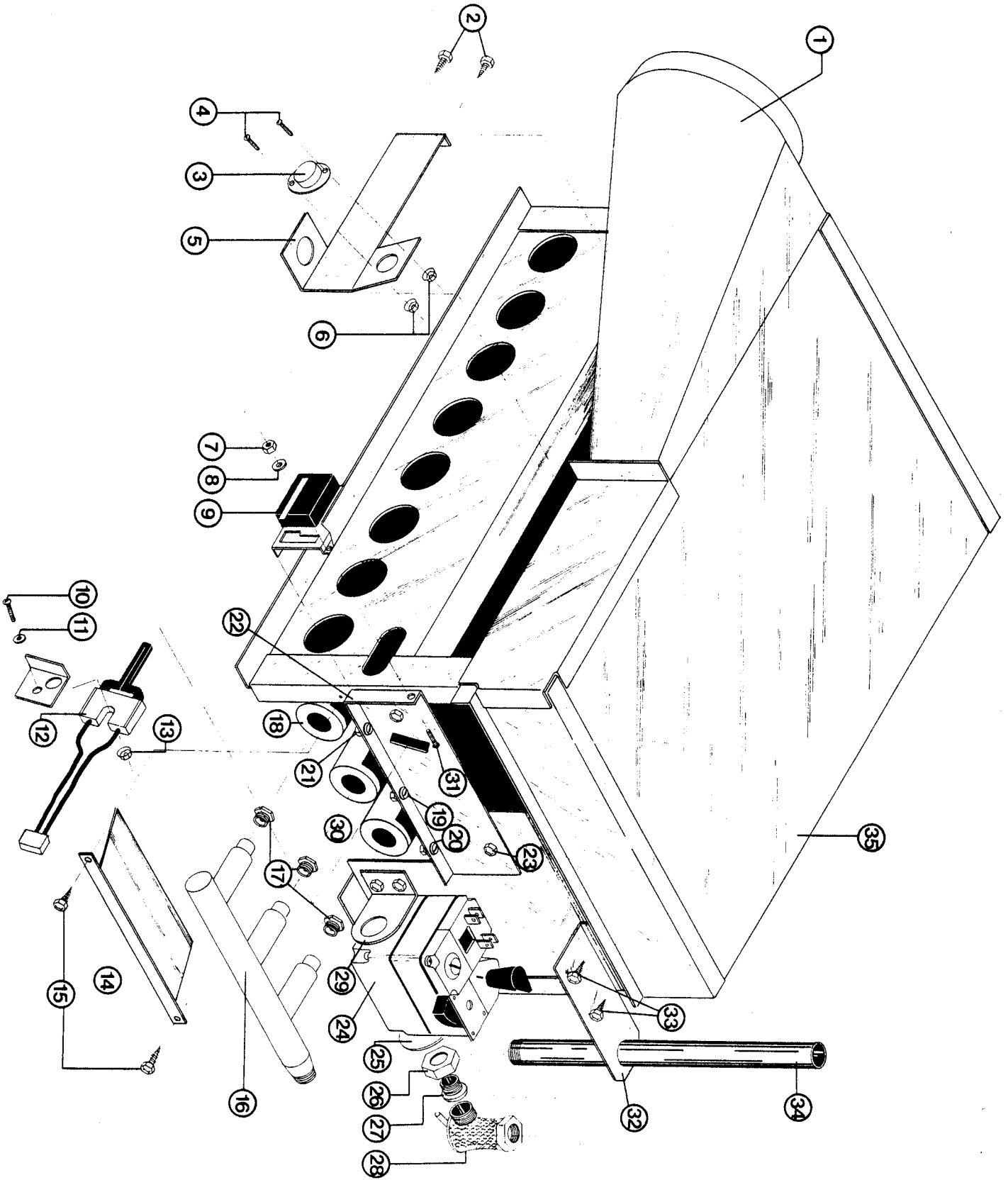


Bottom view of
Manual Reset Thermostat →



SENSOR BRACKET ASSEMBLY

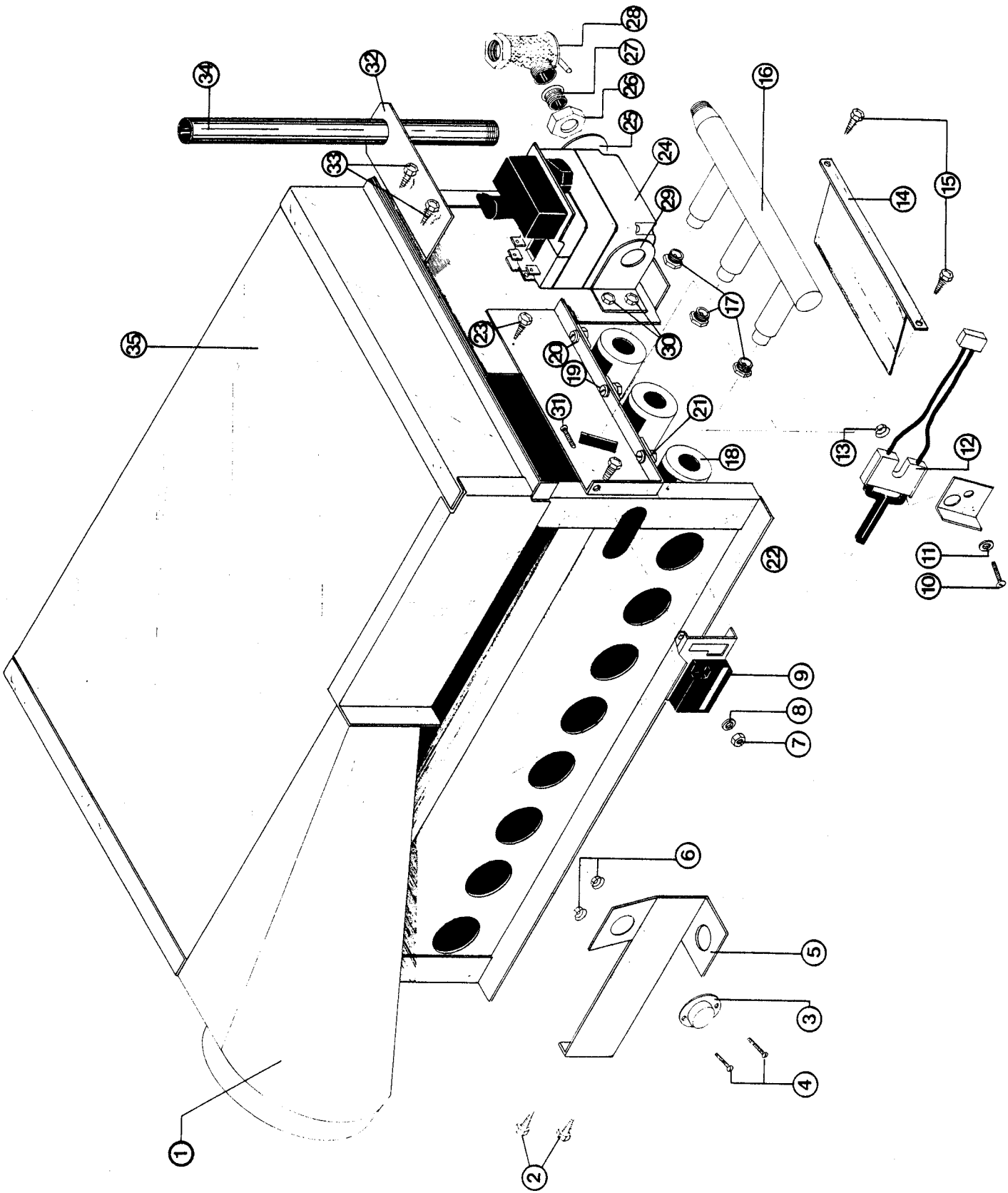
<u>Illus. No.</u>	<u>Part No.</u>	<u>Qty.</u>	<u>Description</u>
1	880251	1	Microprocessor Temperature Sensor Probe Assembly
2	130103	1	225° Automatic Reset Thermostat
	130301	1	225° Manual Reset Thermostat
3	153010	2	#6 Star Washer
4	152000	2	6/32 Hex Nut
5	122605	1	4-Pin Socket Connector Only
	122701	4	Socket Terminal Only
6	154007	2	1/4" Push-on Fastener
7	305007	1	Sensor Bracket Only
	801425	1	Microprocessor Sensor Bracket Assembly Complete
8	122604	1	4-Pin Connector Only
9	122700	4	Pin Terminal Only
10	150000	2	6/32x1/4" R.H. Machine Screw
11	150301	2	8-18x7/16" Phil. TEK Screw
12	130103	1	225° Automatic Reset Thermostat
	130301	1	225° Manual Reset Thermostat
13	153010	4	#6 Star Washer
14	152000	4	6/32" Hex Nut
15	831700	1	Sensor Jumper (3)
16	122609	1	3-Pin Socket Connector Only
	122701	3	Socket Terminal Only
	831702	1	3-Pin Socket Harness Assembly (3)
17	305007	1	Sensor Bracket Only
	801405	1	Sensor Bracket Assembly Complete
18	122608	1	3-Pin Connector Only
19	122700	3	Pin Terminal Only
20	150000	4	6/32"x1/4" R.H. Machine Screw
21	150301	2	8-18x7/16" Phil. TEK Screw
22	130101	1	180° Thermostat
23	130100	1	150° Thermostat



STANDARD (NON-COMPUTER) BURNER ASSEMBLY

<u>Illus.</u> <u>No.</u>	<u>Part</u> <u>No.</u>	<u>Qty.</u>	<u>Description</u>
1	143508	1	2-1/4"x14"x6" Right-end Regis
2	150300	2	#10x1/2" S.D. Screw
3	130401	1	330° Hi-limit Thermostat
4	150001	2	6/32x1/2" R.H. Machine Screw
5	319704	1	High-limit Mounting Bracket
6	151000	2	6/32 Pal Nut
7	152001	1	8/32 Hex Nut
8	153012	1	#8 Washer
9	130500	1	I.R. Sensor
10	150002	1	6/32x1" R.H. Machine Screw
11	153017	1	#6 Steel Burr
12	128910	1	Glo-bar
13	151000	1	6/32 Pal Nut
14	318808	1	Burner Inlet Shield
15	150300	2	#10x1/2" S.D. Screw
16	141203	1	3-Port Manifold
17	140821	3	#28 Burner Orifice (natural)
	140806	3	#46 Burner Orifice (L.P.)
18	141105	3	Tube Burner
19	150108	3	8/32x1/2" P.H. Machine Screw
20	153000	3	#8 Steel Burr
21	151001	3	8/32 Pal Nut
22	802706	1	Lg. Norton G.B. Mounting Brkt. Assy.
23	150300	2	#10x1/2" S.D. Screw
24	140005	1	1/2" (natural) G.B. Gas Valve*
	140021	1	Gas Valve Replacement Cap (coil) Kit*
25	318704	1	Burner Pipe Bracket
26	401550	1	Tail Piece Collar
27	141303	1	1/2" Union Tail Piece (collar not included)
28	141305	1	Union Shutoff Body and Collar (tail piece not included)
29	-----	1	Burner Pipe Bracket
30	150300	2	#10x1/2" S.D. Screw
31	150108	1	8/32x1/2" P.H. Machine Screw
32	318704	1	Burner Pipe Bracket
33	150300	2	#10x1/2" S.D. Screw
34	142530	1	1/2"x11" Pipe
35	804017	1	H.R. Burner Box Only
	809588	1	AD-75 Std. G.B. (natural) H.R. Burner Assembly Complete (less orifices)
	809610	1	AD-75 Std. G.B. (L.P.) H.R. Burner Assembly Complete (less orifices)
--	874026	-	AD-75 (standard non-hi/lo) L.P. Conversion Kit

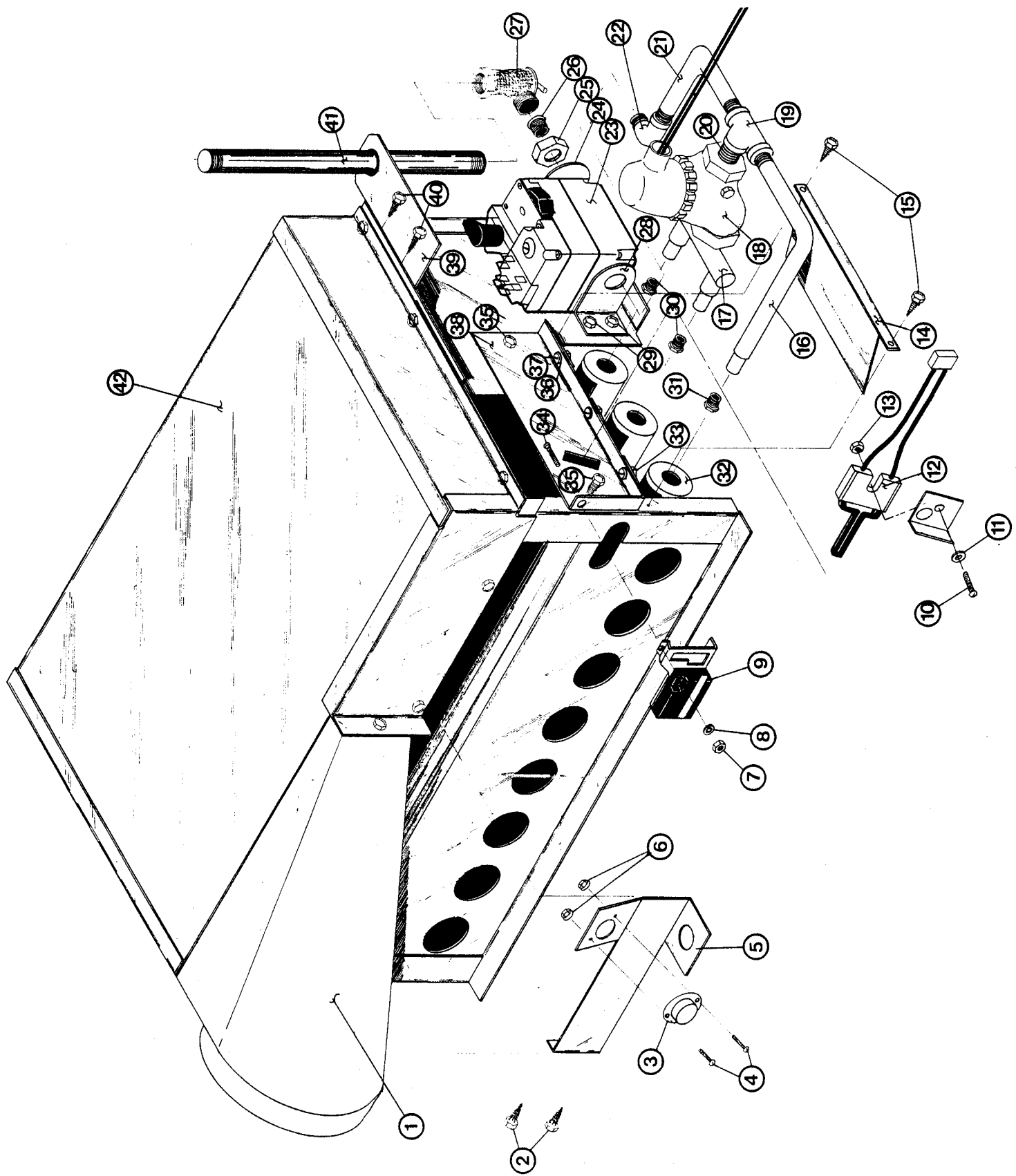
* For L.P. gas, valve conversion kit P/N 140411 is required and must be purchased as a separate item.



HI/LO COMPUTERIZED BURNER ASSEMBLY

(ON MODELS MANUFACTURED PRIOR TO 9/02/86)

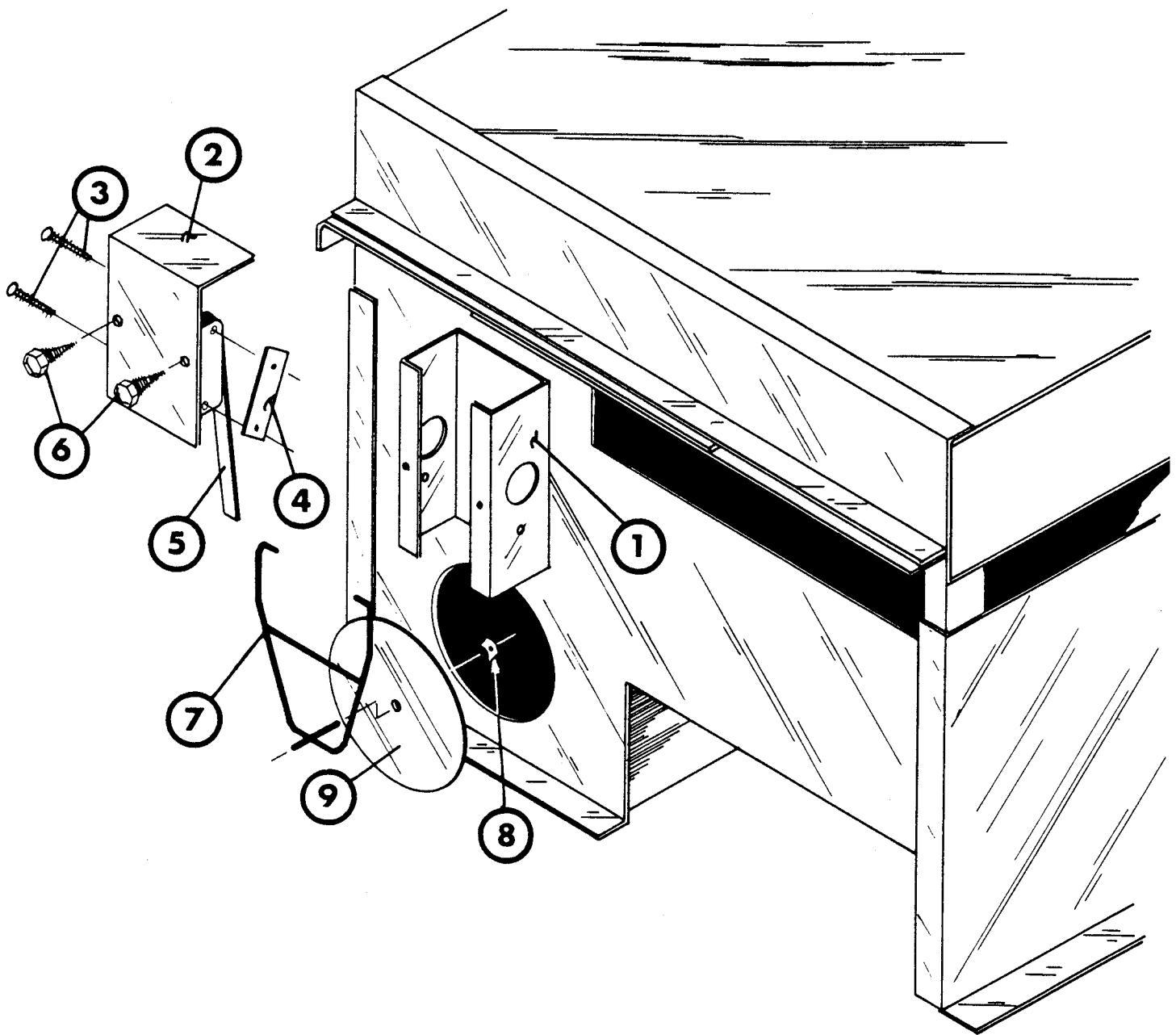
<u>Illus.</u> <u>No.</u>	<u>Part</u> <u>No.</u>	<u>Qty.</u>	<u>Description</u>
1	143508	1	2-1/4"x14"x6" Right-end Regis
2	150300	2	#10x1/2" S.D. Screw
3	130401	1	330° Hi-limit Thermostat
4	150001	2	6/32x1/2" R.H. Machine Screw
5	319704	1	High-limit Mounting Bracket
6	151000	2	6/32 Pal Nut
7	152001	1	8/32 Hex Nut
8	153012	1	#8 Washer
9	130500	1	I.R. Sensor
10	150002	1	6/32x1" R.H. Machine Screw
11	153017	1	#6 Steel Burr
12	128910	1	Glo-bar
13	151000	1	6/32 Pal Nut
14	318808	1	Burner Inlet Shield
15	150300	2	#10x1/2" S.D. Screw
16	141203	1	3-Port Manifold
17	140821	3	#28 Burner Orifice (natural gas only)
	140806	3	#46 Burner Orifice (L.P. gas only)
18	141105	3	Tube Burner
19	150108	3	8/32x1/2" P.H. Machine Screw
20	153000	3	#8 Steel Burr
21	151001	3	8/32 Pal Nut
22	802706	1	Lg. Norton G.B. Mounting Brkt. Assy.
23	150300	2	#10x1/2" S.D. Screw
24	140010	1	1/2" (natural) Hi/Lo Gas Valve
	140011	1	1/2" (L.P.) Hi/Lo Gas Valve
25	318704	1	Burner Pipe Bracket
26	401550	1	Tail Piece Collar
27	141303	1	1/2" Union Tail Piece (collar not included)
28	141305	1	Union Shutoff Body and Collar (tail piece not included)
29	-----	1	Burner Pipe Bracket
30	150300	2	#10x1/2" S.D. Screw
31	150108	1	8/32x1/2" P.H. Machine Screw
32	318704	1	Burner Pipe Bracket
33	150300	2	#10x1/2" S.D. Screw
34	142530	1	1/2"x11" Pipe
35	804017	1	H.R. Burner Box Only
	809595	1	AD-75 (natural) Hi/Lo Burner Assembly Complete (less orifices)
	809605	1	AD-75 (L.P.) Hi/Lo Burner Assembly Complete (less orifices)
	874027	1	AD-75 (with hi/lo) L.P. Conversion Kit



HI/LO SOLENOID/MANIFOLD BURNER ASSEMBLY

<u>Illus.</u> <u>No.</u>	<u>Part</u> <u>No.</u>	<u>Qty.</u>	<u>Description</u>
1	143508	1	2-1/4"x14"x6" Right-end Regis
2	150300	2	#10x1/2" S.D. Screw
3	130401	1	330° Hi-Limit Thermostat
4	150001	2	6/32x1/2" R.H. Machine Screw
5	319704	1	High-Limit Mounting Bracket
6	151000	2	6/32 Pal Nut
7	152001	1	8/32 Hex Nut
8	153012	1	#8 Washer
9	130500	1	I.R. Sensor
10	150002	1	6/32x1" R.H. Machine Screw
11	153017	1	#6 Steel Burr
12	128910	1	Glo-bar
13	151000	1	6/32 Pal Nut
14	318808	-	Burner Inlet Shield (A-2524)
15	150300	2	#10x1/2" S.D. Screw
16	141216	1	1/2"-90° Nipple
17	141215	1	1/2" Double Nipple
18	140025	1	1/2" Solenoid Valve 120V/60Hz
19	142820	1	1/2"x1/2"x1/2" Tee
20	142700	1	1/2" Close Nipple
21	141217	1	1/2" Special Elbow
22	142506	1	1/2"x1/2" Street Elbow
23	140005	1	1/2" G.B. (natural) Gas Valve*
	140411	1	1/2" Valve L.P. Conv. Kit (L.P. Only)
	140021	1	Valve Replacement Cap Assembly Kit*
24	-----	1	Burner Pipe Bracket
25	401550	1	Tail Piece Collar
26	141303	1	1/2" Union Tail Piece (collar not included)
27	141305	1	Union Shut-off Body and Collar (tail piece not included)
28	-----	1	Burner Pipe Bracket
29	150300	2	#10x1/2" S.D. Screw
30	140822	2	#27 Burner Orifice (natural gas only)
	140816	2	#36 Burner Orifice (L.P. gas only)
31	140816	1	#36 Burner Orifice (natural gas only)
	140802	1	#50 Burner Orifice (L.P. gas only)
32	141105	3	Tube Burner
33	151001	3	8/32 Pal Nut
34	150108	1	8/32x1/2" P.H. Machine Screw
35	150300	2	#10x1/2" S.D. Screw
36	153000	3	#8 Steel Burr
37	150108	3	8/32x1/2" P.H. Machine Screw
38	802706	1	Lg. Norton G.B. Bracket Assembly
39	318704	1	Burner Pipe Bracket
40	150300	2	#10x1/2" S.D. Screw
41	142530	1	1/2"x11" Pipe
42	804017	1	AD-75 H.R. Burner Box Only
	809597	1	AD-75 Hi/Lo (natural) H.R. Burner with Solenoid Manifold Assembly Complete (less orifice)
	809609	1	AD-75 Hi/Lo (L.P.) H.R. Burner with Solenoid Manifold Assembly Complete (less orifice)
	874031	1	AD-75 with Solenoid Manifold L.P. Conversion Kit

* For L.P. gas, valve conversion kit P/N 140411 is required and must be purchased as a separate item.



SAIL SWITCH ASSEMBLY (GAS MODELS)

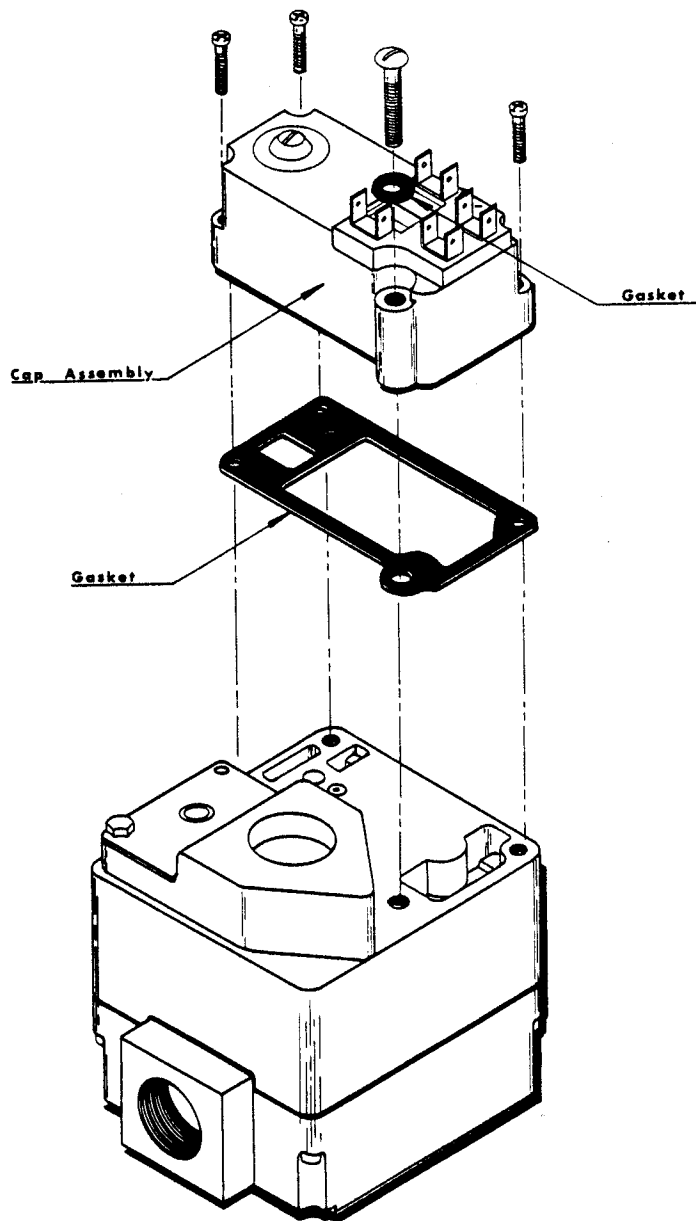
<u>Illus.</u> <u>No.</u>	<u>Part</u> <u>No.</u>	<u>Qty.</u>	<u>Description</u>
1	802800	1	Sail Switch Box with Cover and Brkt.
	802801	1	Sail Switch Box Assembly Complete
2	802799	1	Sail Sitch Box Cover and Bracket Only
3	150303	2	#4x3/4" "A" P.H. Machine Screw
4	154004	1	Twin Speed Nut
5	122200	1	Sail Switch
6	150300	2	#10x1/2" S.D. Screw
7	105500	1	Sail Switch Rod
8	154002	1	1/8" Push-on Fastener
9	319202	1	Sail Switch Damper

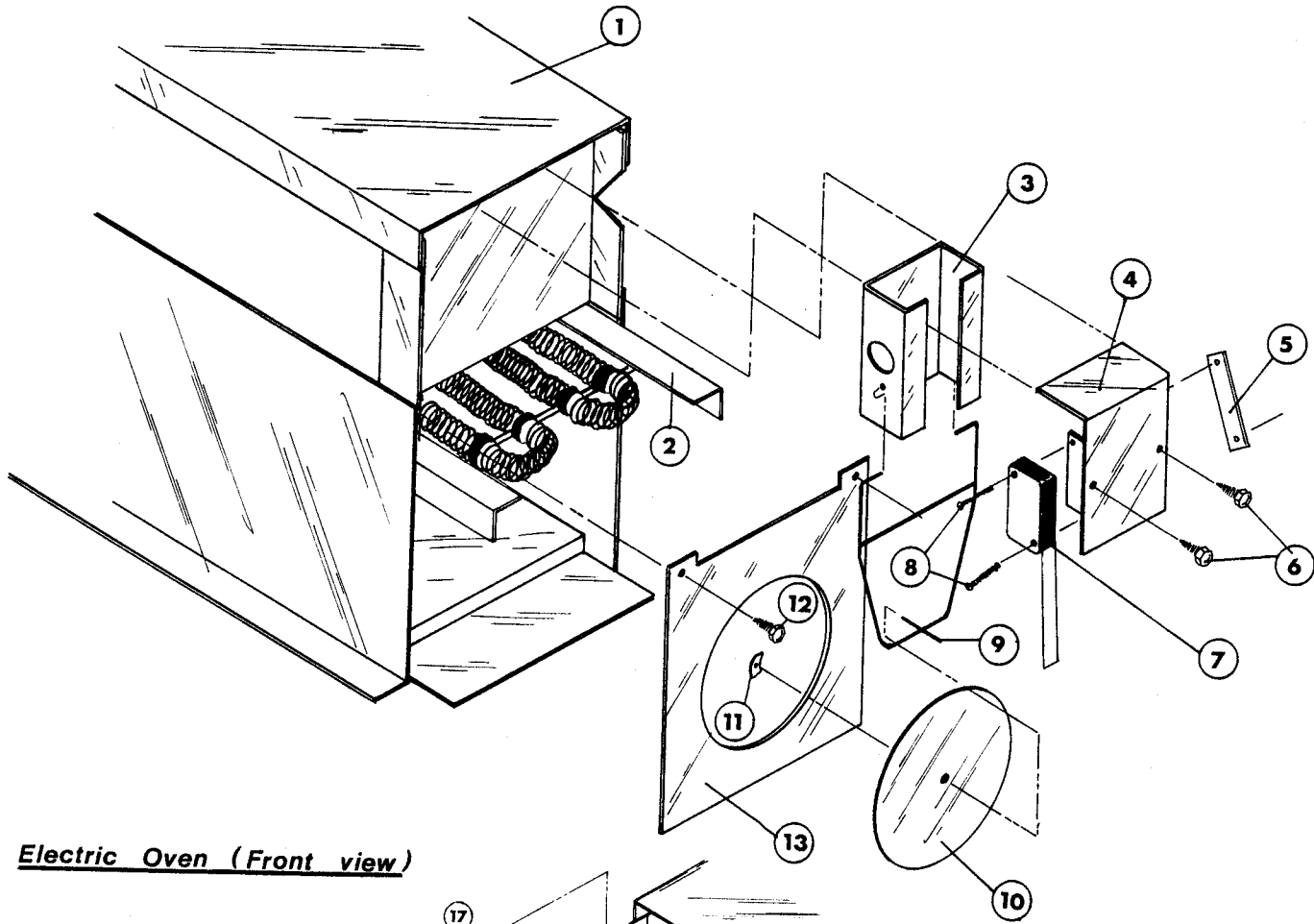
1/2" GAS VALVE REPLACEMENT CAP (COIL) ASSEMBLY

This replacement cap assembly is for the White-Rodgers model 36C68, type 241, 1/2" standard glo-bar gas valve (ADC P/N 140005). Each cap assembly includes the gaskets, mounting screws, and instructions. This cap assembly is suitable only for the model 36C68, type 241, gas valve and cannot be used on the White-Rodgers 36D hi/lo gas valve.

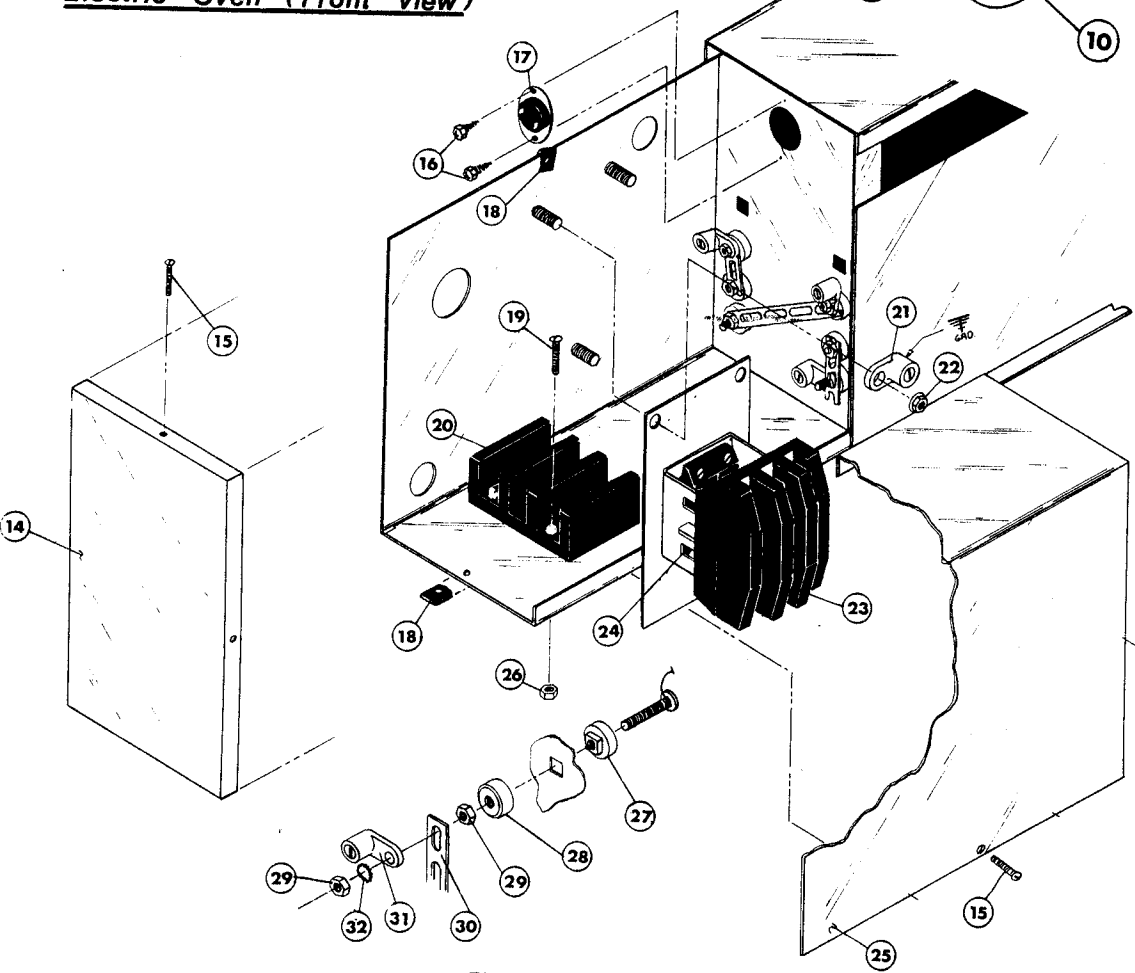
CAP ASSEMBLY P/N 140021

IMPORTANT: When used on dryers manufactured for liquid petroleum (L.P.) gas, an L.P. conversion kit (P/N 140411) is required and must be purchased separately.





Electric Oven (Front view)



Electric Oven Rear view

ELECTRIC OVEN ASSEMBLY

<u>Illus.</u> <u>No.</u>	<u>Part</u> <u>No.</u>	<u>Qty.</u>	<u>Description</u>
1	803001	1	Lg. Electric Oven Box Only
	-----	1	Electric Oven Assy. Complete (refer to page 30)
2	-----	-	Electric Element (refer to page 30)
3	319200	1	Sail Switch Box Only
	802800	1	Sail Switch Box with Cover and Brkt.
	802801	1	Sail Switch Box Assembly Complete
4	802799	1	Sail Switch Box Cover and Brkt. Only
5	154004	1	Twin Speed Nut
6	150300	2	#10x1/2" S.D. Screw
7	122200	1	Sail Switch
8	150303	2	#4x3/4" "A" Phil. Machine Screw
9	105500	1	Sail Switch Rod
10	319202	1	Sail Switch Damper
11	154002	1	1/8" Push on Fastener
12	150300	2	#10x1/2" S.D. Screw
13	803100	1	Electric Oven Front Cover
14	321000	1	Lg. Relay Box Cover
15	150402	4	10/24x5/8" T.H. Screw
16	150300	2	#10x1/2" S.D. Screw
17	130400	1	290° Hi-Limit
18	154001	4	10/24 Speed Nut
19	150103	2	8/32x3/4" R.H. Machine Screw
20	120704	-	Terminal Block (refer to page 30)
21	121010	1	L-70 (ground) Lug
22	152014	3	1/4-20 Washnut
23	-----	1	Oven Relay (refer to page 30)
24	-----	1	Oven Relay Replacement Coil (refer to page 30)
25	321301	1	Lg. Electric Oven Right Side Cover
26	152001	2	8/32 Hex Nut
27	120081	-	Internal Ceramic Insulator (2 per element)
28	120080	-	External Ceramic Insulator (2 per element)
29	152008	-	10/32 Hex Nut (4 per element)
30	121011	-	Bus Bar (refer to page 30)
31	-----	-	Terminal Lug (refer to page 30)
32	153009	-	#10 Star Washer (2 per element)

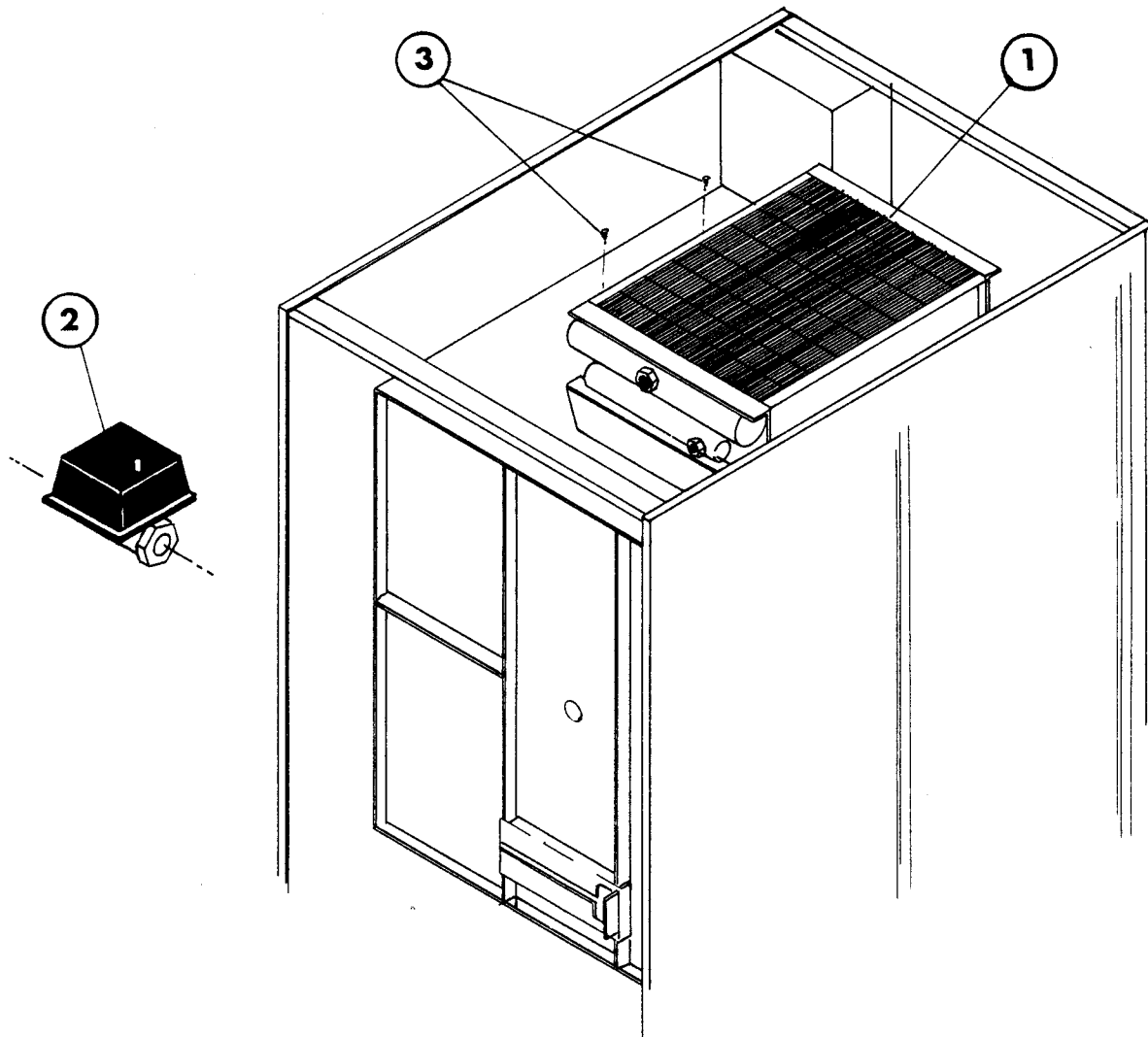
ELECTRIC OVEN COMPONENT APPLICATION CHART

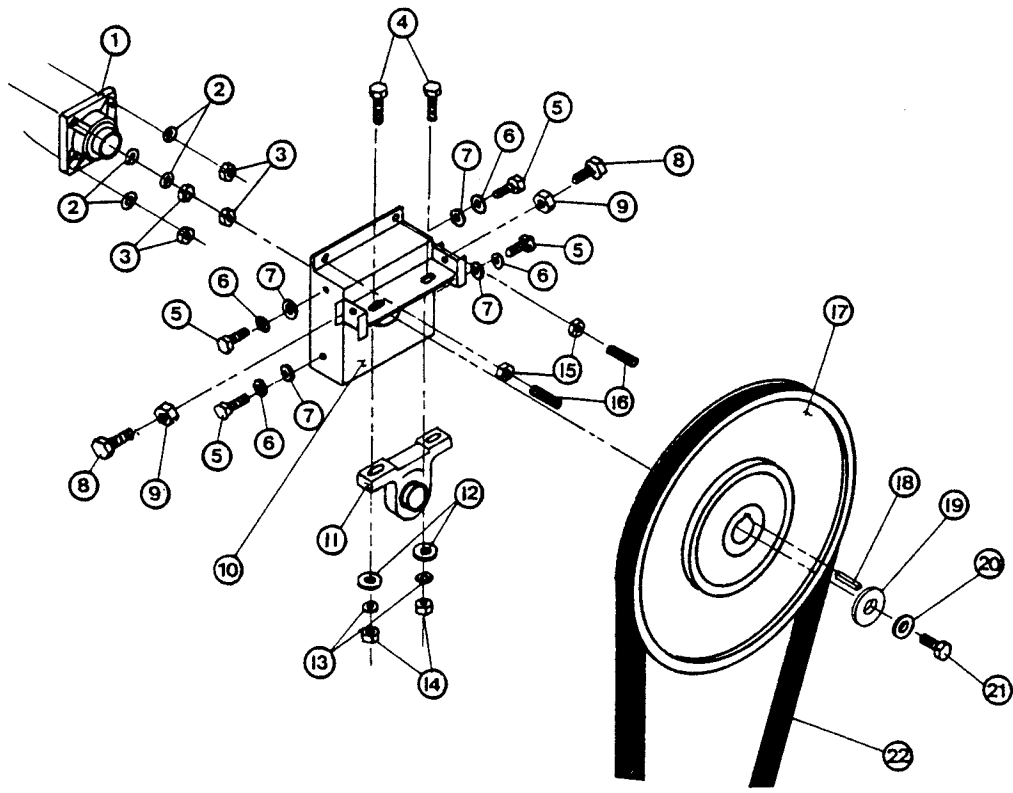
KW	Volt	Phase	Wire	Oven Assy.*		Elements		Oven Wire		Terminal Lug		Buss Bar		T. Block		Oven Relay		Relay Coil
				Part No.	Qty.	KW	Part No.	Qty.	Size	Part No.	Qty.	Part No.	P/N	121011	P/N	120704	Cat. No.	Part No.
36	208	3	3 or 4	815109	6	6	120015	5	#8	133100	6	121010	1	1	GEAG	131312	131811	
36	416	3	3 or 4	815109	6	6	120015	5	#8	133100	6	121010	1	-	DEAG	131305	131809	
36	230	3	3	815108	6	6	120014	5	#8	133100	6	121010	1	1	FEAG	131309	131811	
36	460/480	3	3 or 4	815108	6	6	120014	5	#8	133100	6	121010	1	-	CEAG	131303	131809	
33	380	3	3 or 4	815109	6	6	120015	5	#8	133100	6	121010	1	1	DEAG	131305	131809	
30	208	3	3	815106	6	6	120012	5	#6	133200	6	121010	1	1	DEAG	131305	131809	
30	208	3	4	815106	6	6	120012	5	#6	133200	6	121010	1	1	DEAF	131304	131808	
30	230	3	3	815306	6	6	120013	5	#8	133100	6	121010	1	1	CEAG	131303	131809	
30	416	3	3 or 4	815603	6	6	120012	5	#8	133100	3	121010	2	-	CEAG	131303	131809	
30	460/480	3	3 or 4	815703	6	6	120013	5	#8	133100	3	121010	2	-	BEAG	131311	131809	
25	380	3	3 or 4	815403	6	6	120012	5	#8	133100	3	121010	2	-	BEAG	131311	131809	
24	208	3	3	815104	6	6	120010	5	#8	133100	6	121010	1	1	CEAG	131303	131809	
24	208	3	4	815104	6	6	120010	5	#8	133100	6	121010	1	1	CEAF	131302	131808	
24	230	3	3	815304	6	6	120011	5	#10	133300	6	121010	1	1	BEAG	131311	131809	
24	416	3	3 or 4	815602	6	6	120010	3	#8	133100	3	121010	2	-	BEAG	131311	131809	
20	460/480	3	3 or 4	815702	6	6	120011	3	#10	133000	3	121010	2	-	BEAG	131311	131809	
20	208	1	2	815003	5	5	120010	2	#4	133300	2	121012	2	-	GEAG	131312	131811	
20	230	1	2	815203	5	5	120011	2	#4	133300	2	121012	2	-	FEAG	131309	131811	
20	380	3	3 or 4	815402	6	6	120010	3	#10	133000	3	121010	2	-	BEAG	131311	131809	

*Oven assembly complete does not include oven relay or terminal block. These items must be ordered separately. When ordering oven assembly complete, specify 3- or 4-wire when applicable.

STEAM COIL/VALVE ASSEMBLY

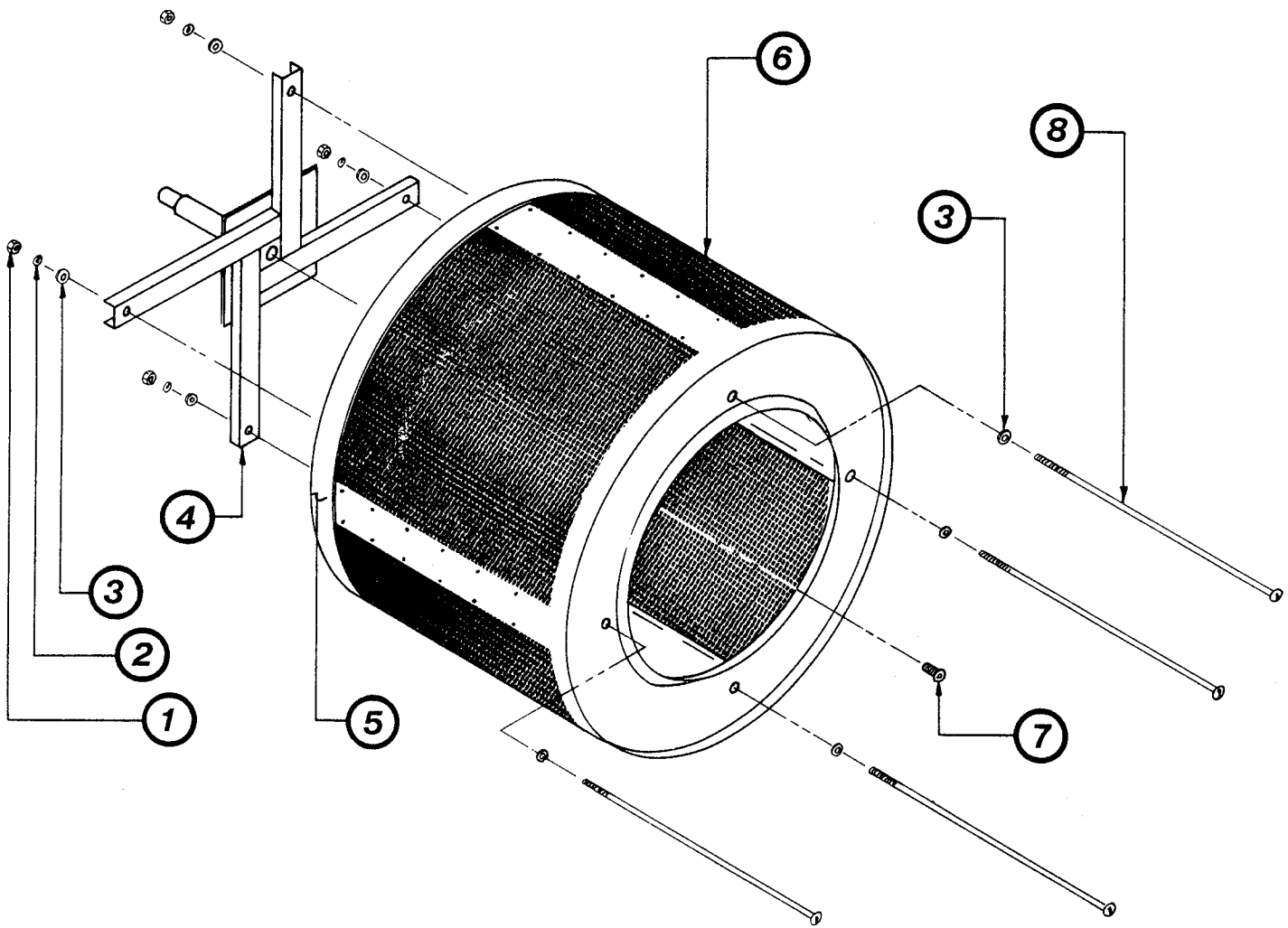
<u>Illus. No.</u>	<u>Part No.</u>	<u>Qty.</u>	<u>Description</u>
1	165002	1	Lg. Steam Coil (high pressure)
	165003	1	Lg. Steam Coil (low pressure)
2	165107	1	1" Motorized Steam Valve (high pressure only)
	165102	1	1-1/4" Steam Valve 115V (low pressure only)
	165103	1	1-1/4" Steam Valve 230V (low pressure only)
3	150300	4	#10x1/2" S.D. Screw





TUMBLER BEARING ASSEMBLY

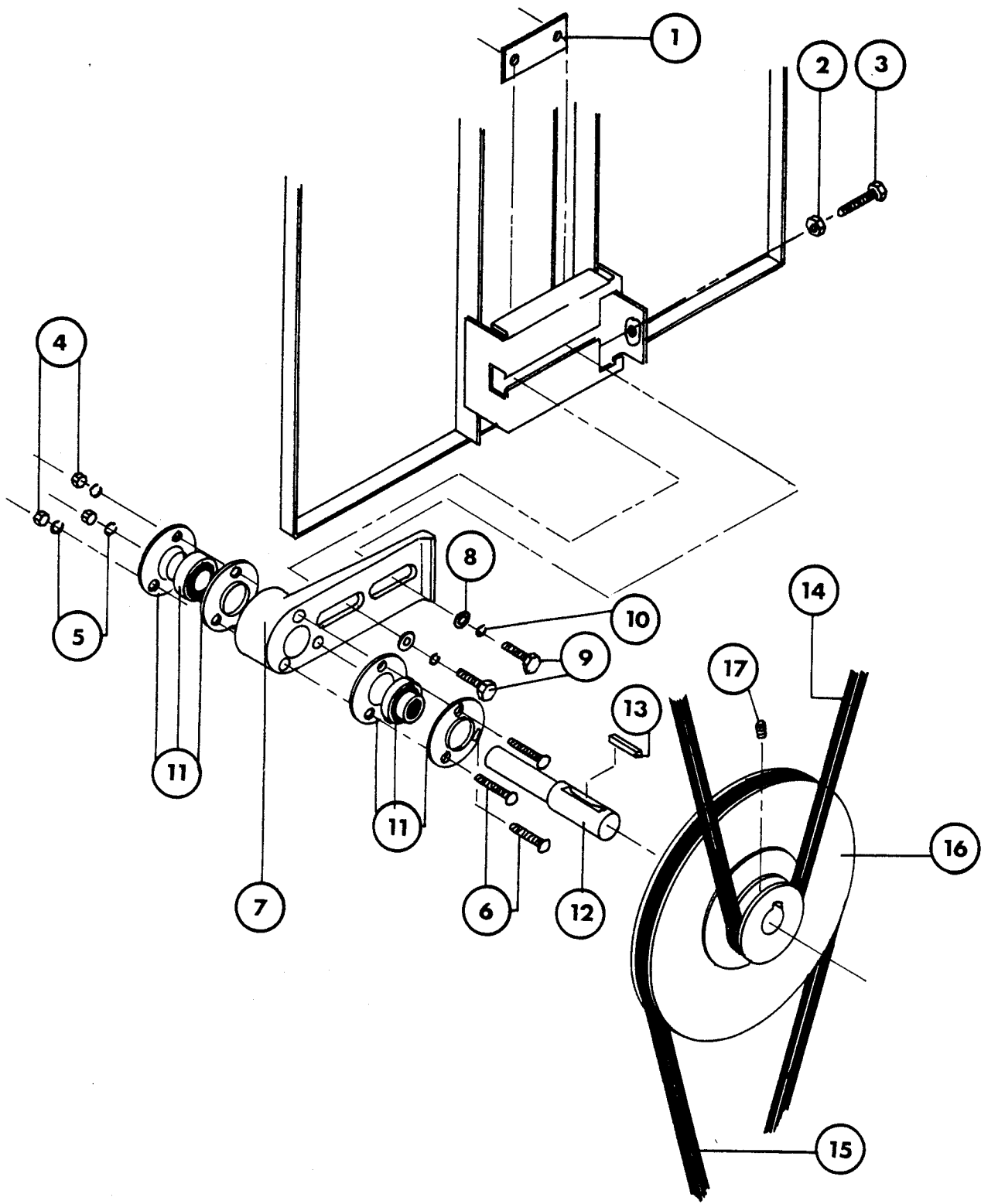
<u>Illus. No.</u>	<u>Part No.</u>	<u>Qty.</u>	<u>Description</u>
1	100220	1	1-3/4" Flange Bearing
2	153025	4	9/16" Lock Washers
3	152050	4	9/16" Hex Nuts
4	150601	2	3/8"-16x2" H.H. Machine Bolt
5	150501	4	5/16"-18x3/4" H.H. Machine Bolt
6	153002	4	5/16" Lock Washer
7	153001	4	5/16" Flat Washer
8	150503	2	5/16"-18x2" H.H. Machine Bolt
9	152004	2	5/16"-18 Hex Nut
10	801101	1	1-3/8" Bearing Box Assy. Complete (including bearing and hardware)
11	100202	1	1-3/8" Pillow Block Bearing
12	153004	2	3/8" Flat Washer
13	153005	2	3/8" Lock Washer
14	152005	2	3/8"-16 Hex Nut
15	152004	2	5/16"-18 Hex Nut
16	150608	2	5/16"-18x1-1/4" Set Screw
17	101100	1	18" Pulley (non-rev. models)
	101118	1	18-3/4" Sprocket Pulley (reversing models only)
	101119	1	1-3/8" Taper Lock Hub (reversing models only)
18	100700	1	1/4"x1/4"x1" Key
19	153003	1	3/8" Fender Washer
20	153002	1	5/16" Lock Washer
21	150501	1	5/16"-18x3/4" H.H. Machine Bolt
22	100106	1	5L-690 V-Belt (tumbler to idler)



TUMBLER ASSEMBLY

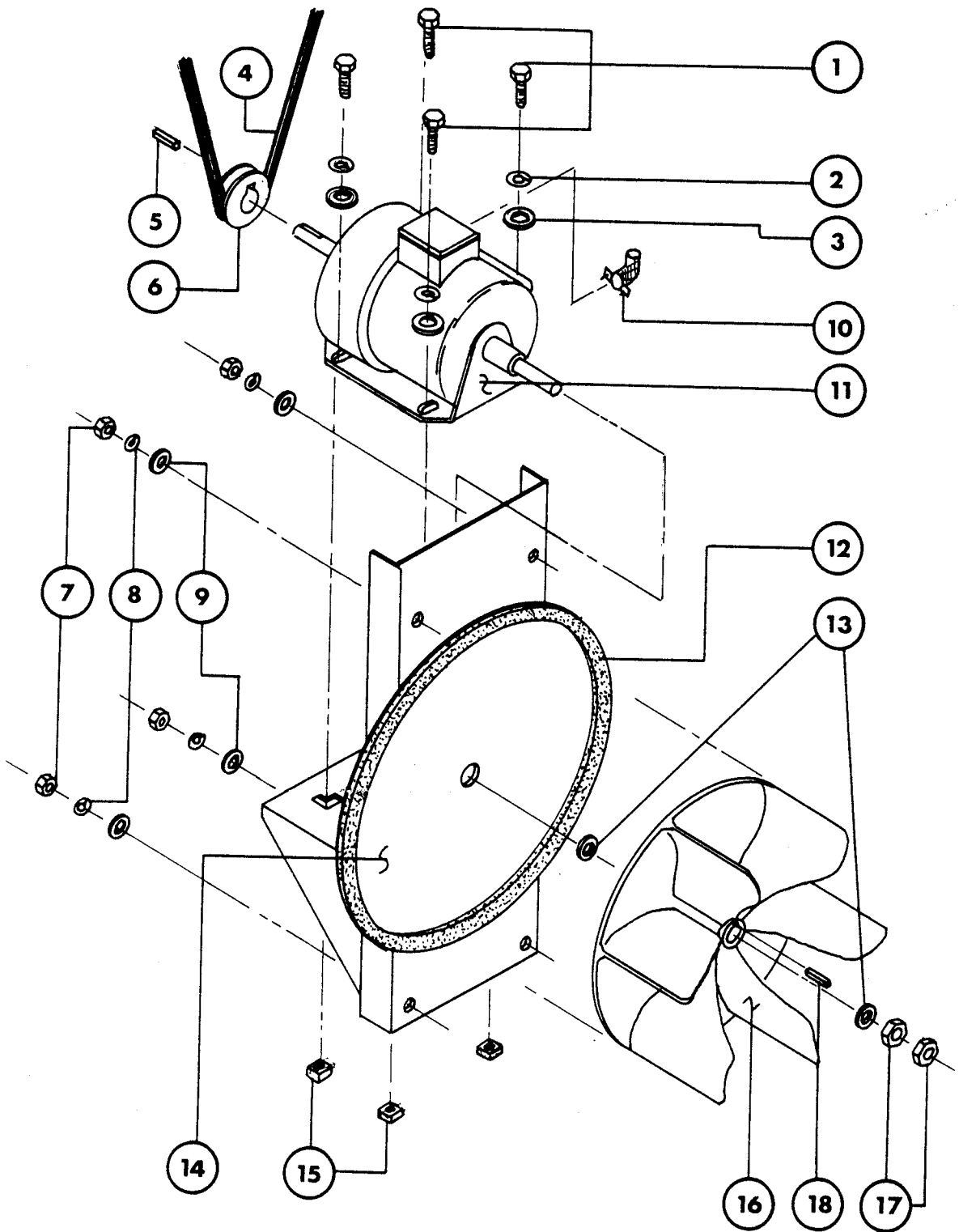
<u>Illus. No.</u>	<u>Part No.</u>	<u>Qty.</u>	<u>Description</u>
1	152005	4	3/8" Hex Nut
2	153005	4	3/8" Lock Washer
3	153004	8	3/8" Flat Washer
4	800613	1	AD-75 Non-Rev. Tumbler Support Only
	800615	1	AD-75 Reversing Tumbler Support Only
5	116000	1	Felt Collar Only
	401010	1	#847 Adhesive for Felt Collar
6	800708	1	AD-75 Tumbler Only*
	800816	1	AD-75 Non-Rev. Tumbler and Support Assembly*
	800819	1	AD-75 Reversing Tumbler and Support Assembly*
7	150500	1	5/16"-18x3/4" Soc. But. Hd. Screw, Pl.
8	100905	4	3/8"-16x37" Tie Rod

* Felt collar not included.



IDLER ASSEMBLY

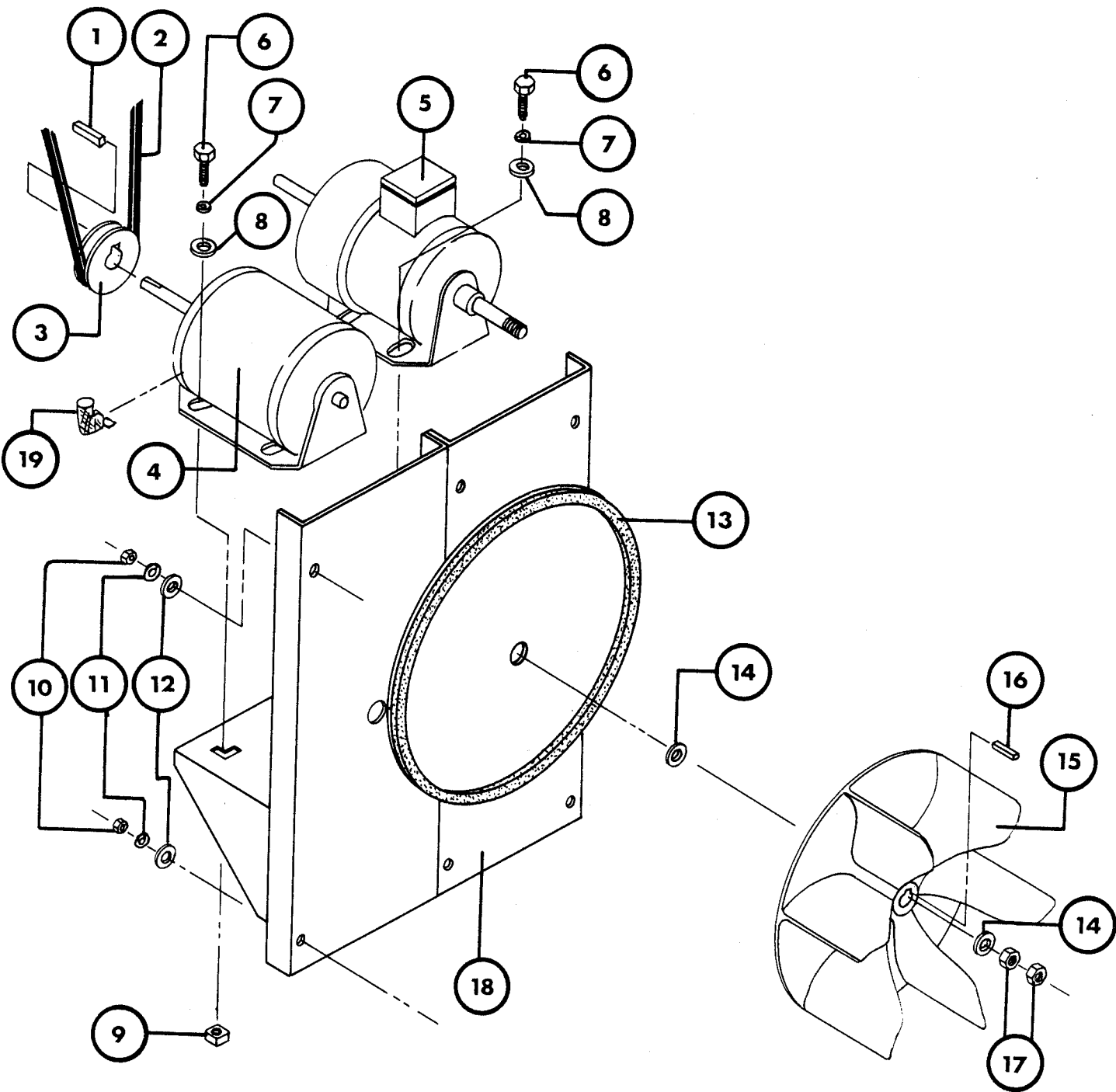
<u>Illus.</u> <u>No.</u>	<u>Part</u> <u>No.</u>	<u>Qty.</u>	<u>Description</u>
1	801009	1	Square Washer*
2	152004	1	5/16"-18 Hex Nut
3	150613	1	5/16"-18x4" H.H. Machine Bolt
4	152002	3	1/4"-20 Hex Nut*
5	153007	3	1/4" Lock Washer*
6	150521	3	1/4"-20x2" Carriage Bolt*
7	100402	1	Idler Bearing Mount Only*
	801007	1	Idler Assy. Complete (includes *'s)
8	153004	2	3/8" Flat Washer
9	150600	2	3/8"-16x1-1/2" H.H. Machine Bolt*
10	153005	2	3/8" Lock Washer*
11	100214	2	5/8" Idler Flange Bearing*
12	100403	1	5/8"x3/4" Idler Shaft*
13	100708	1	3/16"x3/16"x2-1/16" Key
14	100106	1	5L-690 V-Belt (tumbler to idler)
15	100117	1	4L-620 V-Belt (idler to motor)
16	101140	1	14"x3" Compound Pulley
17	154301	2	5/16"-18x5/16" Set Screw



NON-REVERSING MOTOR ASSEMBLY

<u>Illus.</u> <u>No.</u>	<u>Part</u> <u>No.</u>	<u>Qty.</u>	<u>Description</u>
1	150501	4	5/16"-18x3/4" H.H. Machine Bolt
2	153002	4	5/16" Lock Washer
3	153001	4	5/16" Flat Washer
4	100117	1	4L-620 V-Belt (motor to idler)
5	100701	1	3/16"x3/16"x1" Key
6	101133	1	5/8"x2-1/4" Motor Pulley (60Hz only)
	101130	1	5/8"x2-1/2" Motor Pulley (50Hz only)
7	152004	5	5/16"-18 Hex Nut
8	153002	5	5/16" Lock Washer
9	153001	5	5/16" Flat Washer
10	120200	1	3/8"-90° Connector
11	100033	1	3/4HP 115/230V 1Ph Motor (60Hz only)
	100007	1	1/2HP 3Ph Motor (50/60Hz)
	100034	1	3/4HP 240V 1Ph Motor (50Hz only)
12	117600	4 ft.	Gasket (sold in feet)
13	153006	2	1/2" Special Motor Washer
14	800915	1	Motor Mount Only (56Z Frame)
	803773*	1	3/4HP 115/230V 1Ph Motor Mount Assembly Complete (60Hz only)
	803778	1	3/4HP 240V 1Ph Motor Mount Assembly Complete (50Hz only)
	803771*	1	1/2HP 3Ph Motor Mount Assembly Complete (60Hz only)
	803776*	1	1/2HP 3Ph Motor Mount Assembly Complete (50Hz only)
15	154000	4	5/16"-18 Tinnerman Nut
16	100604	1	12.5 Plastic Fan
17	152006	2	1/2" L.H. Jam Nut
18	100702	1	1/8"x1/8"x1-1/2" Key

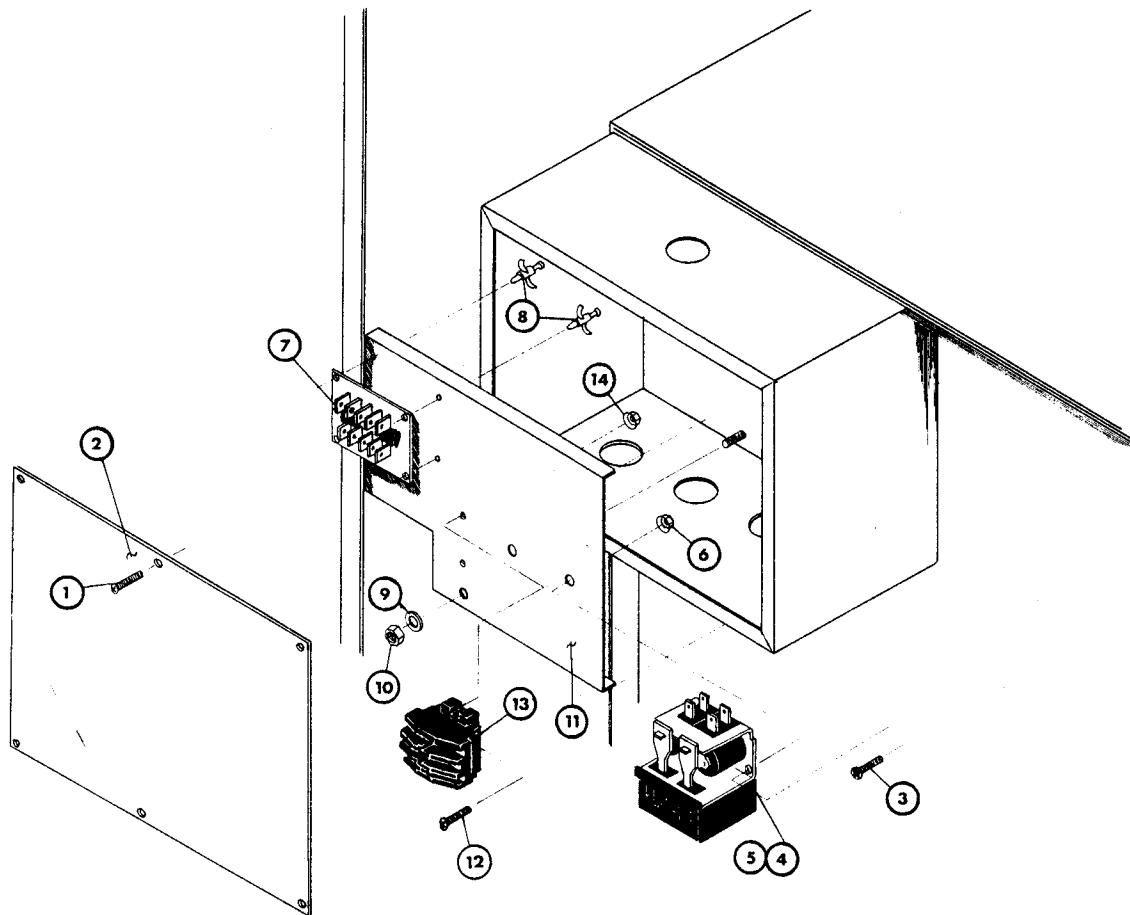
* Specify voltage



REVERSING MOTOR ASSEMBLY

<u>Illus.</u> <u>No.</u>	<u>Part</u> <u>No.</u>	<u>Qty.</u>	<u>Description</u>
1	100701	1	3/16"x3/16"x1" Key
2	100117	1	4L-620 V-Belt (motor to idler)
3	101133	1	5/8"x2-1/4" Motor Pulley (60Hz only)
	101130	1	5/8"x2-1/2" Motor Pulley (50Hz only)
4	100007	1	1/2HP 3Ph Motor (50/60Hz)
5	100010	1	1/2HP 115V/230V 1Ph 48Z Frame Motor (60Hz only)
	100004	1	1/2HP 115V/230V 1Ph, T.E.F.C., 56Z Frame Motor (60Hz only)
	100035	1	1/2HP 240V 1Ph 56Z Frame Motor (50Hz only)
6	150501	8	5/16"-18x3/4" H.H. Machine Bolt
7	153002	8	5/16" Lock Washer
8	153001	8	5/16" Flat Washer
9	154000	8	5/16" Tinnerman Nut
10	152004	7	5/16"-18 Hex Nut
11	153002	7	5/16" Lock Washer
12	153001	7	5/16" Flat Washer
13	117600	4 Ft.	Gasket (sold in feet)
14	153006	4	1/2" Spec. Motor Washer
15	100604	1	12.5 Plastic Fan
16	100702	1	1/8"x1/8"x1-1/2" Key
17	152006	2	1/2" L.H. Jam Nut
18	800916	1	AD-75 Reversing Motor Mount Only
	803845*	1	AD-75 Rev. Motor Mt. Assy. Complete with 1-Phase Blower Motor (60Hz only)
	803870*	1	AD-75 Rev. Motor Mt. Assy. Complete with 1-phase T.E.F.C. Motor (60Hz only)
	803844*	1	AD-75 Rev. Motor Mt. Assy. Complete with 1-Phase Blower Motor (50Hz only)
19	120200	2	3/8" 90° Connector

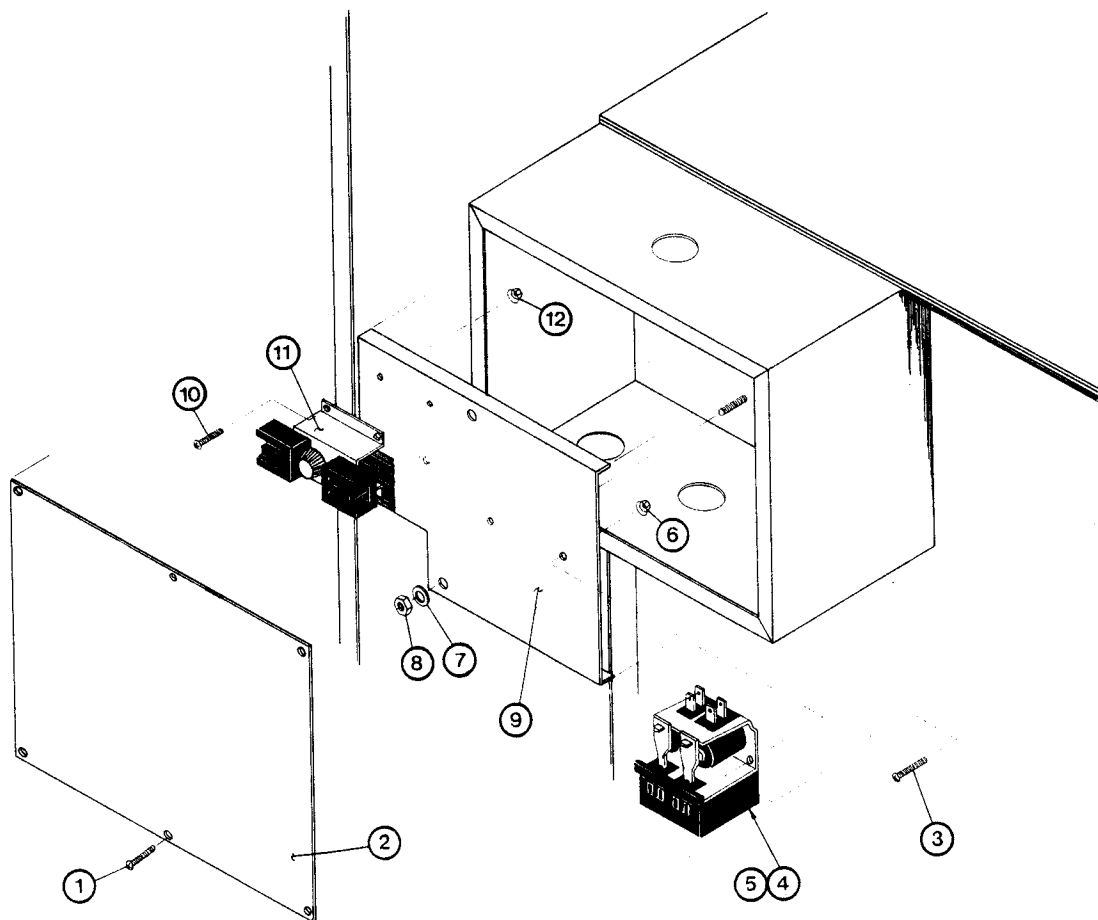
* Specify voltage



MICROPROCESSOR REVERSING CONTROL ASSEMBLY

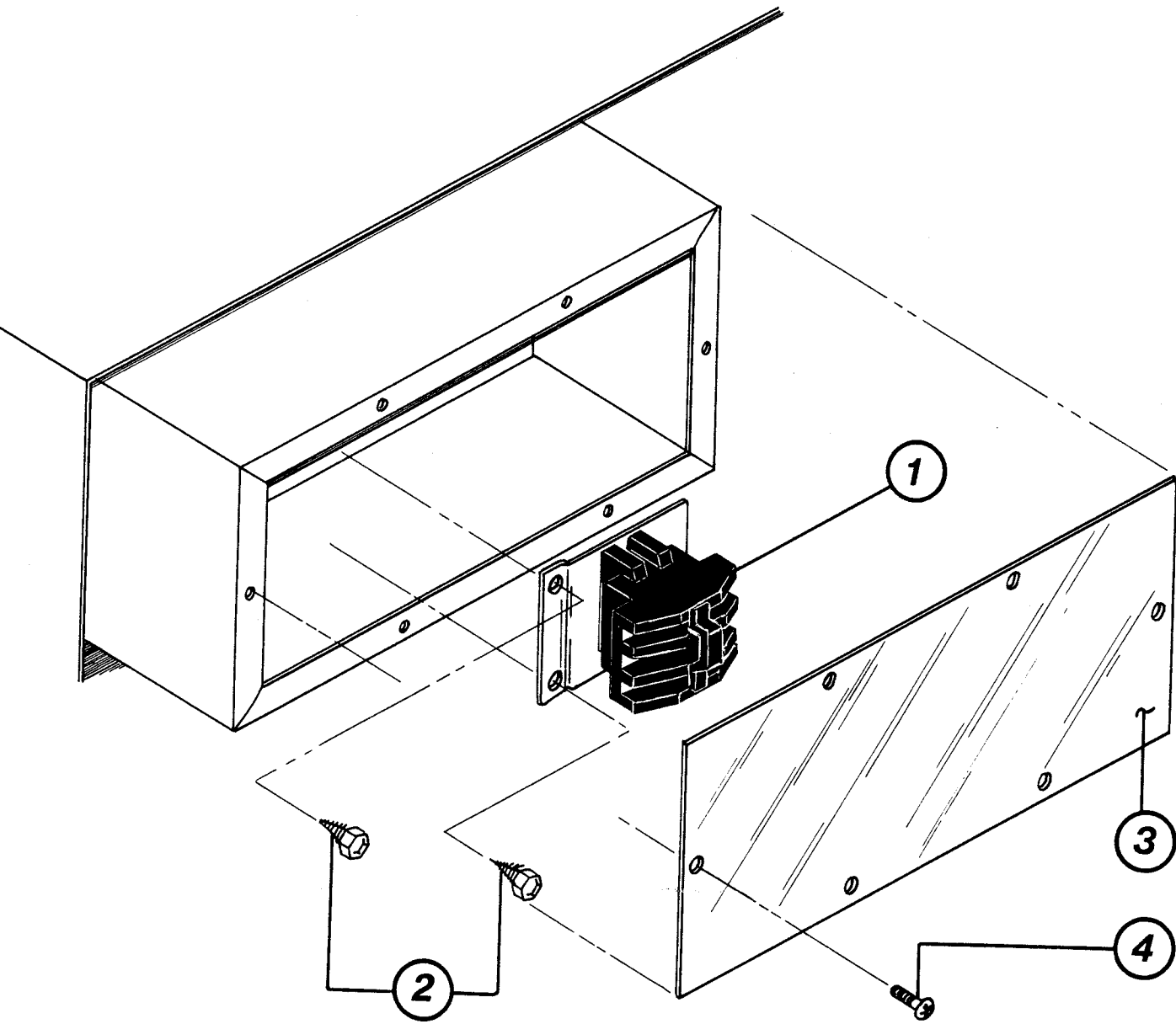
<u>Illus. No.</u>	<u>Part No.</u>	<u>Qty.</u>	<u>Description</u>
1	150301	6	#8-18x7/16" PHL-PH-TEK-PL
2	322808	1	Cover Plate
3	150108	2	8/32x1/2" P.H. Machine Screw
4	132401	1	220V Reversing Relay
	132404	1	208V Reversing Relay
5	132416	2	208V, 60Hz Replacement Coil
	132415	2	220/240V, 60Hz Replacement Coil
	132407	2	240V, 50Hz Replacement Coil
6	151001	2	8/32 Pa1 Nut
7	137060	1	A.S. Board (3)
8	137013	4	Stand-Off
9	153002	2	5/16" Lock Washer
10	152004	2	5/16"-18 Hex Nut
11	322807	1	Service Panel Only
12	150106	2	8/32x1" S.L. R.H. Machine Screw
13	132400	1*	Impellor Contactor
14	151001	2	8/32 Pa1 Nut

* 3-Phase blower models only



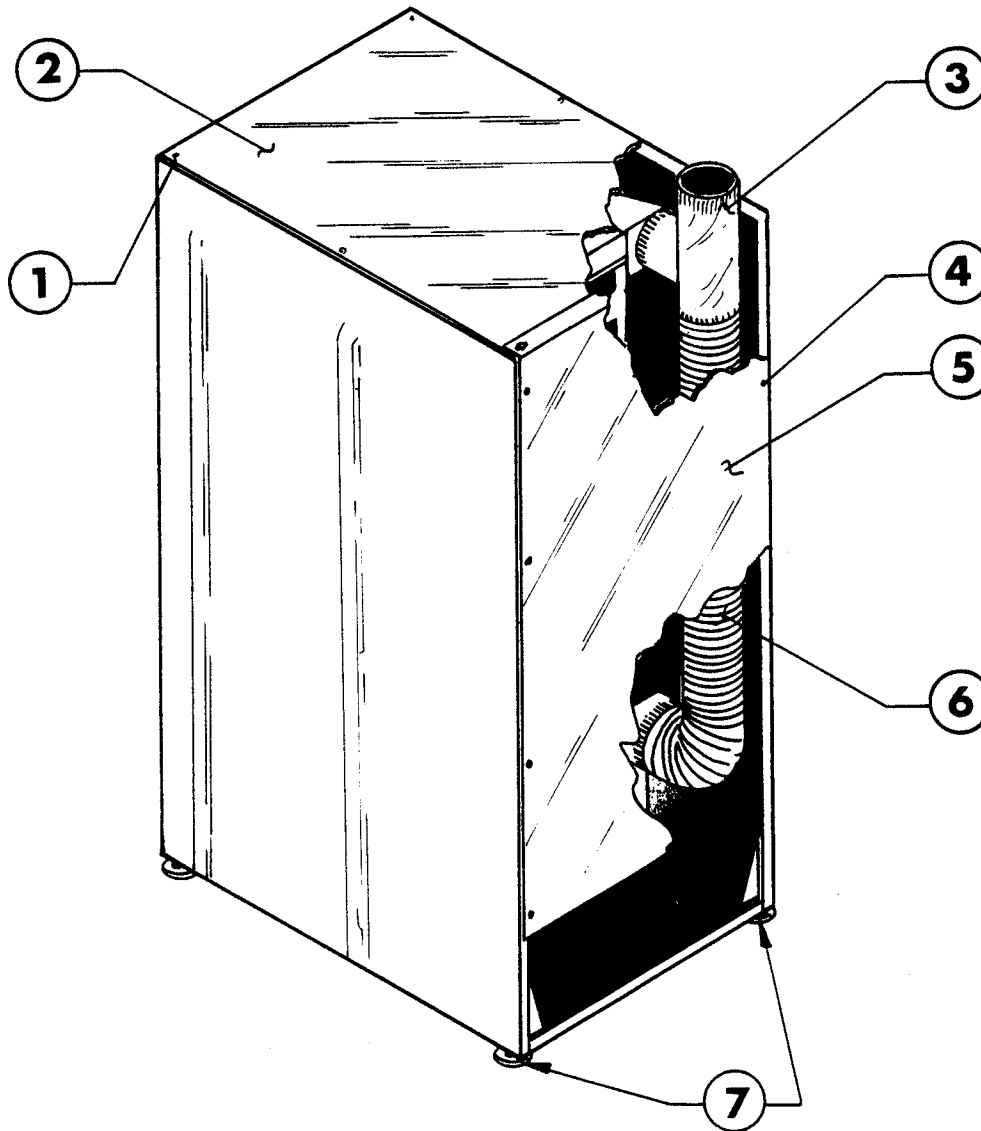
DUAL TIMER REVERSING CONTROLS

<u>Illus. No.</u>	<u>Part No.</u>	<u>Qty.</u>	<u>Description</u>
1	150301	6	#8-18x7/16 Phil. TEK Screw
2	322808	1	Relay Box Cover
3	150108	2	8/32x1/2" P.H. Machine Screw
4	132401	1	Reversing Contactor 220/230V
	132404	1	Reversing Contactor 208V
5	132416	2	208V, 60Hz Replacement Coil
	132415	2	220/240V, 60Hz Replacement Coil
	132407	2	240V, 50Hz Replacement Coil
6	151001	2	8/32 Pal Nut
7	153002	2	5/16 Lock Washer
8	152004	2	5/16-18 Hex Nut
9	322807	1	Rev. Mounting Panel Only
10	150108	2	8/32x1/2" P.H. Machine Screw
11	132200	1	Reversing Timer 220V, 60Hz
	132202	1	Reversing Timer 230V, 50Hz
12	151001	2	8/32 Pal Nut



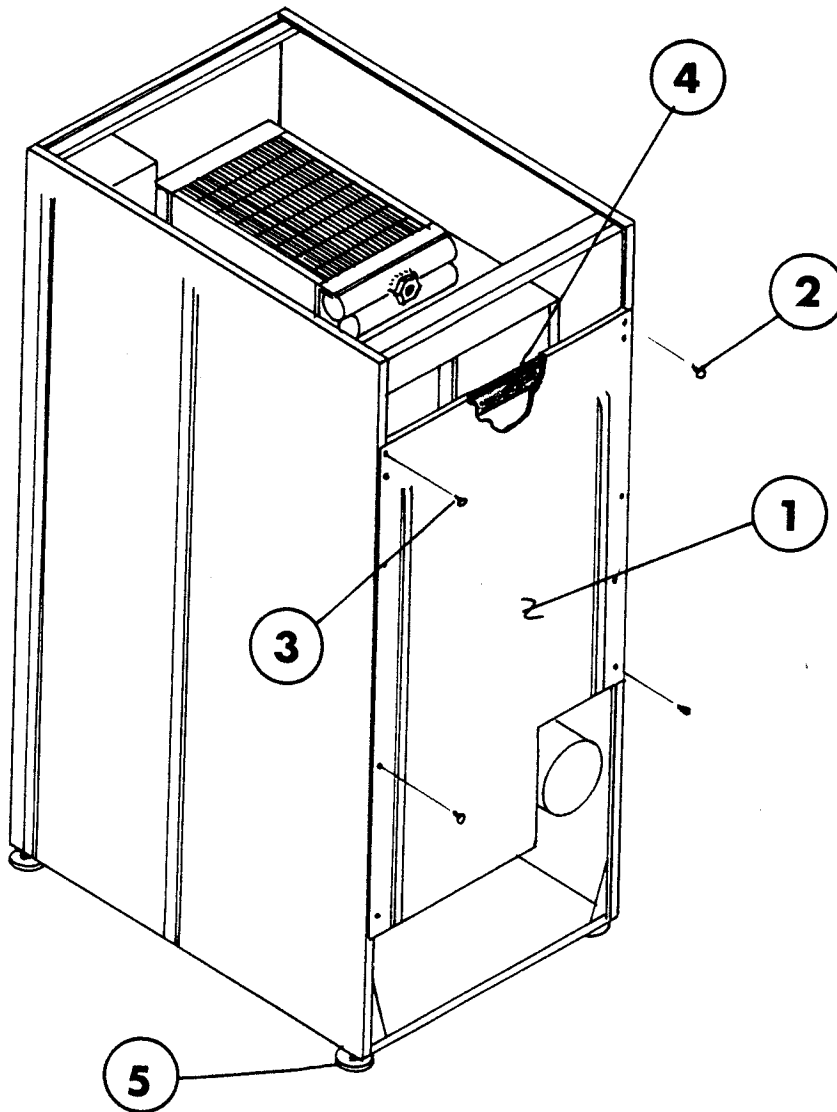
3-PHASE NON-REVERSING CONTROLS

<u>Illus. No.</u>	<u>Part No.</u>	<u>Qty.</u>	<u>Description</u>
1	132400	1	Impellor Contactor (220V)
2	150300	2	#10x1/2 S.D. Screw
3	322808	1	Cover Plate
4	150301	6	#8-18x7/16 TEK Screw



OUTER TOP/BACK GUARD ASSEMBLY (GAS/ELECTRIC MODELS)

<u>Illus. No.</u>	<u>Part No.</u>	<u>Qty.</u>	<u>Description</u>
1	150300	9	#10x1/2" S.D. Screw
2	312523	1	AD-75 Outer Top
3	850800	1	AD-75 H.R. Tee Assembly (gas models only)
	880503	1	AD-75 6" Damper Assy. (elec. models only)
4	150301	6	#8-18x7/16" Phil. TEK Screw
5	314504	1	AD-75 Back Guard
6	143509	1	6" Flex Exhaust
7	103500	4	Leveling Leg



BACK GUARD ASSEMBLY (STEAM)

<u>Illus. No.</u>	<u>Part No.</u>	<u>Qty.</u>	<u>Description</u>
1	314505	1	AD-75 Steam Back Guard
2	150300	2	#10x1/2" S.D. Screw
3	150301	8	#8-18x7/16" Phil. TEK Screw
4	306022	1	Channel
5	103500	4	Leveling Legs

ADDITIONAL PARTS AVAILABLE BUT NOT ILLUSTRATED

<u>Part No.</u>	<u>Description</u>
120800	In Line Conector (1/4")
120802	Red Butt Connector
120902	74B Wire Nut
120903	Crimp-on Wire Nut
121014	1/4" Insulated Female Terminal
880200	Electrical Terminal Assortment Kit
121499	Harness Ties (4")
121500	Harness Ties (7")
121503	Harness Tie Mounting Clip
120600	3/8" Greenfield (BX)
120300	3/8"-45° (BX) Connector
120100	3/8" Straight (BX) Connector
120400	3/8" Red Jacket (BX Insulator)
120500	3/8" Jiffy Clip (BX retainer clip)
405500*	White Touch-up Paint
405502*	Cornflower Blue Touch-up Paint
405503*	Almond Touch-up Paint
405504*	Golden Wheat Touch-up Paint
405505*	Burnt Orange Touch-up Paint
405506*	Pearl Gray Touch-up Paint
405507*	Candy Apple Red Touch-up Paint
405508*	Cast Aluminum Door Touch-up Paint
122800	Microprocessor Female Pin Extractor Tool
122801	Standard Male/Female Pin Extractor Tool
122804	Manometer (water column test gauge)
112531	"Phase 3 O.P.L. Program Location Summary" Label
112027	"Water Washed Fabrics" Label
112039	"Black/White/Green Ground" Label
112040	"Lint Compartment" Label
112041	"Caution-Exhausted" Label

* Sold in 1/2 pint container

ADC 450073 1 - 06/88----300 2 - 11/89----300 3 - 11/89-----300
4 - 05/15/96-150 5 - 11/03/98-100

