

The logo for UniDryer, featuring the word "UniDryer" in a bold, italicized, sans-serif font. The "i" in "Uni" has a dot, and the "y" in "Dryer" has a tail that curves to the right. A registered trademark symbol (®) is located at the end of the word. The logo is enclosed in a double-line rectangular border.

UniDryer®

UD-50 Parts Manual 1989 thru 1991

American Dryer Corporation
88 Currant Road
Fall River, MA 02720-4781
Telephone: (508) 678-9000 / Fax: (508) 678-9447
E-mail: techsupport@amdry.com

Retain This Manual In A Safe Place For Future Reference

American Dryer Corporation products embody advanced concepts in engineering, design, and safety. If this product is properly maintained, it will provide many years of safe, efficient, and trouble-free operation.

ONLY qualified technicians should service this equipment.

OBSERVE ALL SAFETY PRECAUTIONS displayed on the equipment or specified in the installation/operator's manual included with the dryer.

The following “**FOR YOUR SAFETY**” caution **must be** posted near the dryer in a prominent location.

FOR YOUR SAFETY

Do not store or use gasoline or other flammable vapors or liquids in the vicinity of this or any other appliance.

POUR VOTRE SÉCURITÉ

Ne pas entreposer ni utiliser d'essence ni d'autres vapeurs ou liquides inflammables dans le voisinage de cet appareil ou de tout autre appareil.

We have tried to make this manual as complete as possible and hope you will find it useful. **ADC** reserves the right to make changes from time to time, without notice or obligation, in prices, specifications, colors, and material, and to change or discontinue models.

Important

For your convenience, log the following information:

DATE OF PURCHASE _____ **MODEL NO.** UD-50 _____

DISTRIBUTOR'S NAME _____

Serial Number(s) _____

Replacement parts can be obtained from your distributor or the **ADC** factory. When ordering replacement parts from the factory, you can FAX your order to **ADC** at (508) 678-9447 or telephone your orders directly to the **ADC** Parts Department at (508) 678-9000. Please specify the dryer **model number** and **serial number** in addition to the **description** and **part number**, so that your order is processed accurately and promptly.

The illustrations on the following pages may not depict your particular dryer exactly. The illustrations are a composite from the various dryer models. Be sure to check descriptions of the parts thoroughly before ordering.

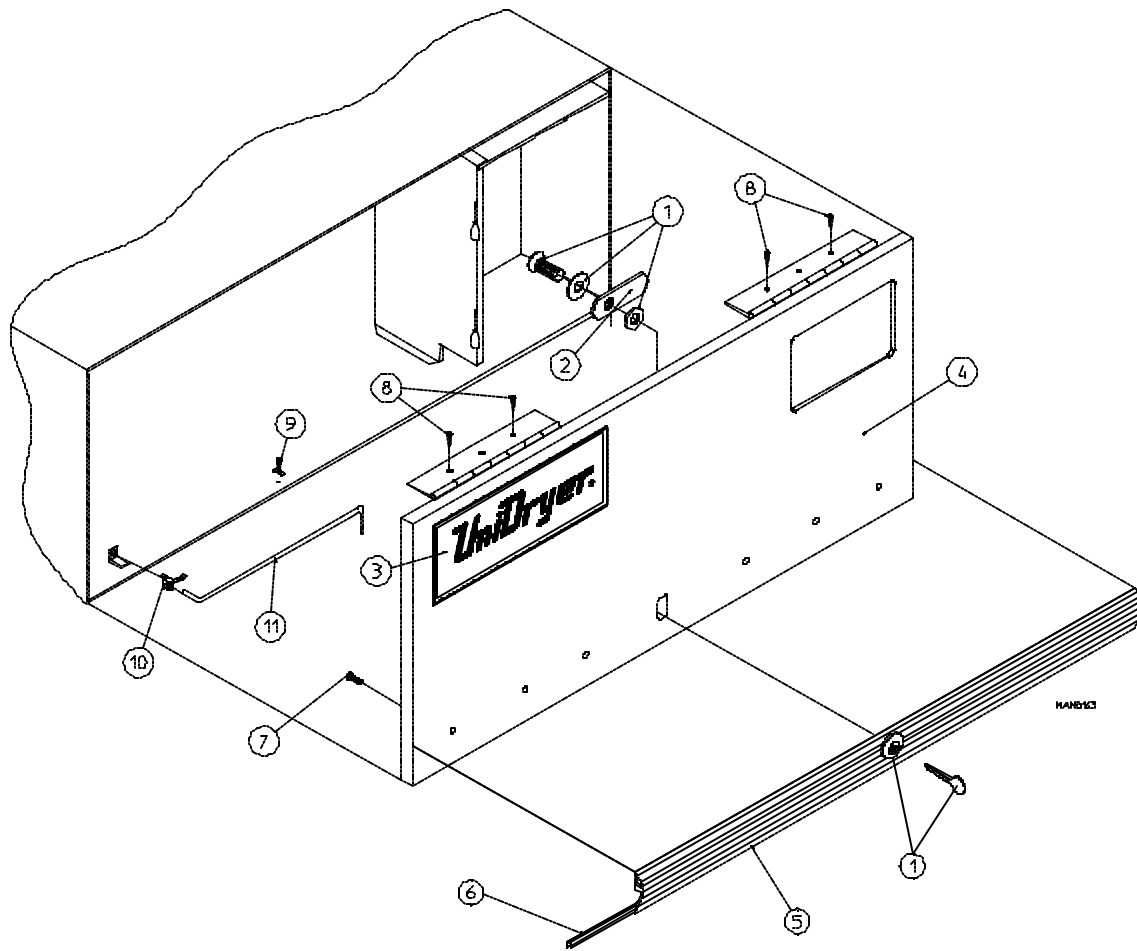
“IMPORTANT NOTE TO PURCHASER”

Information must be obtained from your local gas supplier on the instructions to be followed if the user smells gas. These instructions must be posted in a prominent location near the dryer.

Table of Contents

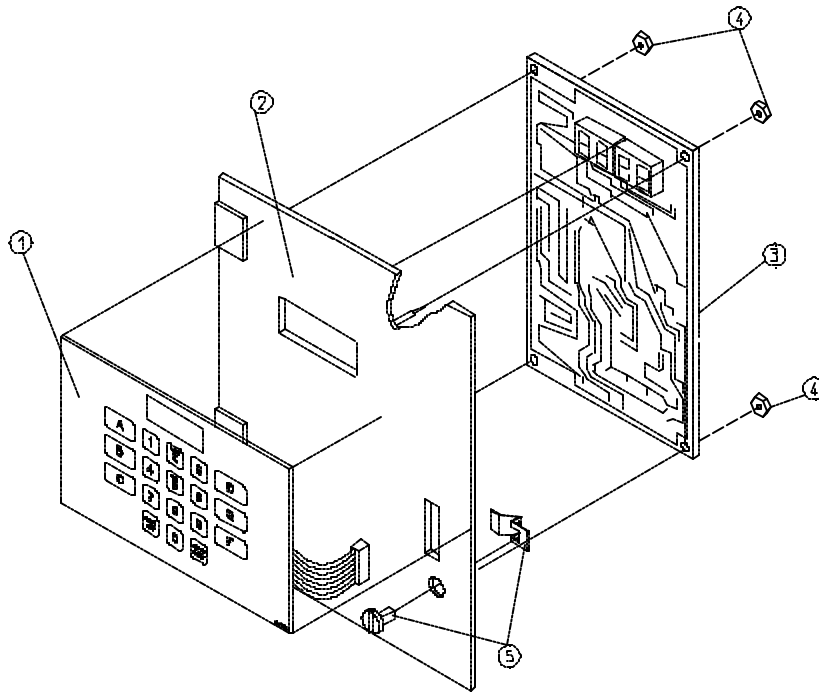
High Security Control Door Assembly	3
Phase 3 OPL Microprocessor Control Panel Assembly	4
Phase 3 OPL Microprocessor Control Box Assembly	5
Phase 4 OPL Non-Reversing Control Panel Assembly	6
Phase 4 OPL Non-Reversing Microprocessor Control Box Assembly	7
Phase 4 OPL Reversing Control Panel Assembly	8
Phase 4 OPL Reversing Microprocessor Control Box Assembly	9
Phase 4 OPL UniSport® Microprocessor Control Panel Assembly	10
Phase 4 OPL Microprocessor Control Box Assembly	11
Dual Timer Control Panel Assembly	12, 13
Dual Timer Control Box Assembly	14, 15
Main Door Assembly	16
Front Panel Assembly	17
Basket (Tumbler)/Support Assemblies	18, 19
Drop Lint Door Assembly	20
Lint Trap Assembly	21
Basket (Tumbler) Bearing Assembly	22, 23
Idler Bearing Assembly	24, 25
Non-Reversing Totally Enclosed, Fan-Cooled (T.E.F.C.) Motor Mount Assembly	26, 27
Reversing Totally Enclosed, Fan-Cooled (T.E.F.C.) Motor Mount Assembly	28, 29
Sensor Bracket Assemblies	30, 31
Standard (Non-Hi/Lo) Burner Assembly	
for Global® Ignition Models ONLY	32, 33
Hi/Lo Computerized Burner Assembly	
for Global® Ignition Models ONLY	34, 35
Direct Spark Ignition (DSI) Burner Assembly	36, 37

Sail Switch/Hi-Limit Assemblies	
for Global® and Direct Spark Ignition (DSI) Models ONLY	38, 39
Replacement Coils for 3/8" Non-Hi/Lo Gas Valve	
for Global® and Direct Spark Ignition (DSI) Models ONLY	40
Replacement Coils for 3/8" Hi/Lo Gas Valve	
for Global® Ignition Models ONLY	41
Electric Oven Assembly	42, 43
Electric Oven Component Application Chart	44
Steam Coil/Valve Assembly	45
Microprocessor Reversing Control Assembly	
Telemecanique	46
Dual Timer Reversing Control Assembly	
Telemecanique	47
Microprocessor Reversing Control Assembly	
Struthers-Dunn	48
Dual Timer Reversing Control Assembly	
Struthers-Dunn	49
3-Phase (3 ϕ) Motor, Electric Relay Panel Assembly	
Telemecanique	50
3-Phase (3 ϕ) Motor, Electric Relay Panel Assembly	
Furnas	51
Control/Heat Step Down Transformer	
for Global® and High Pressure Motorized Steam Valve Models ONLY	52
Outer Top/Back Guard Assembly	53
Heat Reclaimer Assembly	54
Arc Suppressor (A.S.) Relay Board Listing	55
Global® Burner Assembly Specifications	56
Direct Spark Ignition (DSI) Burner Assembly Specifications	57
Additional Parts Available	58



<u>Illus. No.</u>	<u>Part No.</u>	<u>Qty.</u>	<u>Description</u>
1	160017	1	Special Dummy Lock ONLY
2	160016	1	Lock Cam ONLY
3	112312	1	UniDryer® Logo ONLY
	112337	1	UniSport® Logo ONLY
	870011	1	Logo Double Tape Kit
4	800021*	1	High Security Control Door Assembly Less Lock (includes illus. nos. 4 through 7)
	800142	1	High Security Stainless Steel Control Door Assembly Less Lock (includes illus. nos. 4 through 7)
5	180202	1	Top Trim Strip with Lock Hole
6	102307	3	Trim Bumper Gasket (sold by the foot)
7	150201	6	#10-32 x 1/4" Phillips Round Head Machine Screw
8	150309	4	#10-16 x 1/2" Hex Head TEK Crimptite Screw
9	102600	1	Control Door Rod Support Catch
10	102601	1	Control Door Rod Retainer Clip
11	102502	1	Control Door Support Rod

* Specify color when ordering.



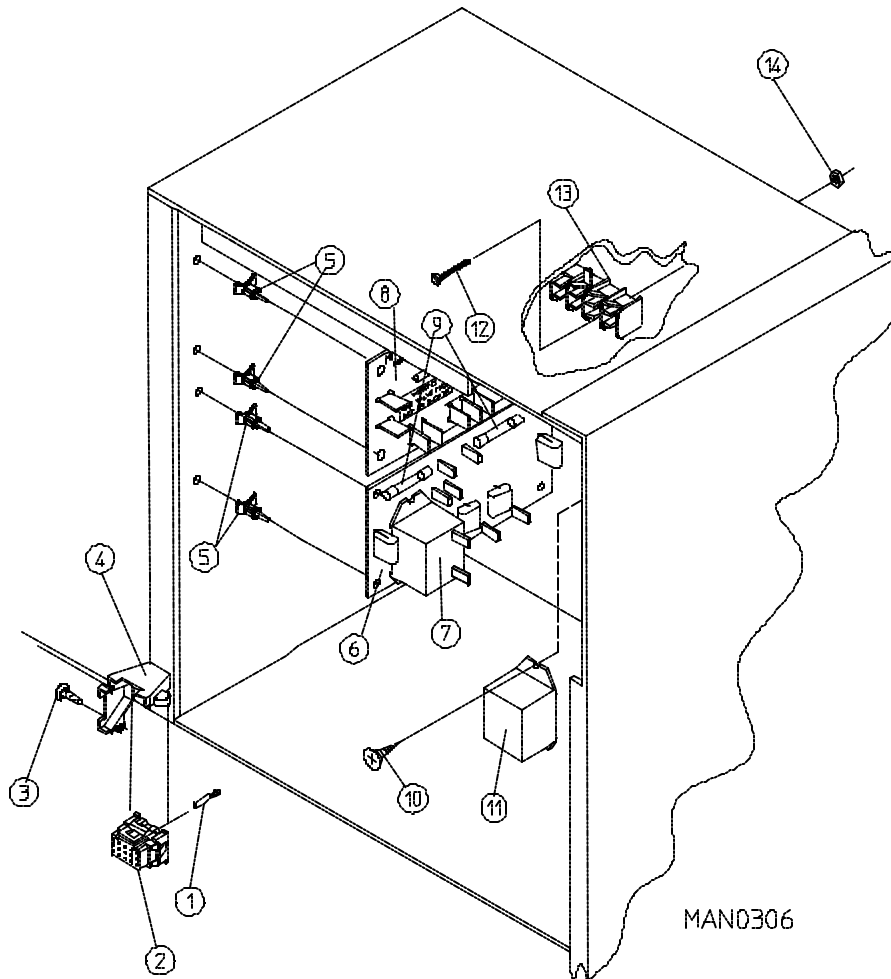
MAN0175

<u>Illus. No.</u>	<u>Part No.</u>	<u>Qty.</u>	<u>Description</u>
1	112535	1	OPL English Keyboard Label Assembly
	112276	1	OPL Stick-on Labels (English Only) ... Not Illustrated
	112275	1	OPL Stick-on Labels (Spanish, Italian, and Hebrew) ... Not Illustrated
	112277	1	3-Language OPL Stick-on Labels (English, Spanish, and Hebrew) ... Not Illustrated
	112278	1	5-Language OPL Stick-on Labels (Italian, Dutch, French, German, and Chinese) ... Not Illustrated
2	800057	1	Microprocessor Control Panel ONLY
	800164	1	Microprocessor Control Panel ONLY with Battery Bracket
	800161	1	Phase 3 OPL Non-Reversing Microprocessor Control Panel Assembly Complete (includes illus. nos. 1 through 5)
	800163	1	Phase 3 OPL Non-Reversing Microprocessor Control Panel Assembly Complete with Battery Option (includes illus. nos. 1 through 5)
	865088*	1	Phase 3 OPL Reversing Microprocessor Control Panel Assembly Complete
	865089*	1	Phase 3 OPL Reversing Microprocessor Control Panel Assembly Complete with Battery Option (includes illus. nos. 1 through 5)
3	137092	1	Phase 3 OPL Non-Reversing Controller (computer) ONLY
	137093	1	Phase 3 OPL Non-Reversing Controller (computer) ONLY with Battery Clip
	137094*	1	Phase 3 OPL reversing controller (computer) ONLY
	137095*	1	Phase 3 OPL Reversing Controller (computer) ONLY with Battery Clip
4	152001	4	#8-32 Hex Nut
5	160005	1	Spring Turn Latch (2-piece)

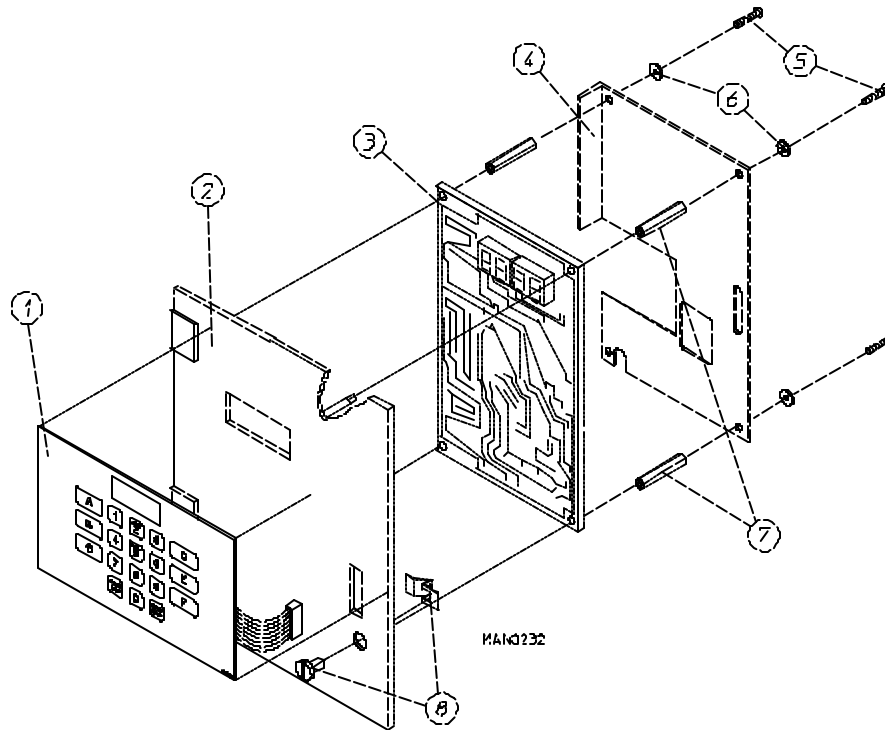
* Used on dryer models with reversing option ONLY.

IMPORTANT: Check label on computer chip to verify correct part number for controller (computer).

NOTE: OPL controllers listed are suitable for **ALL** voltage applications.



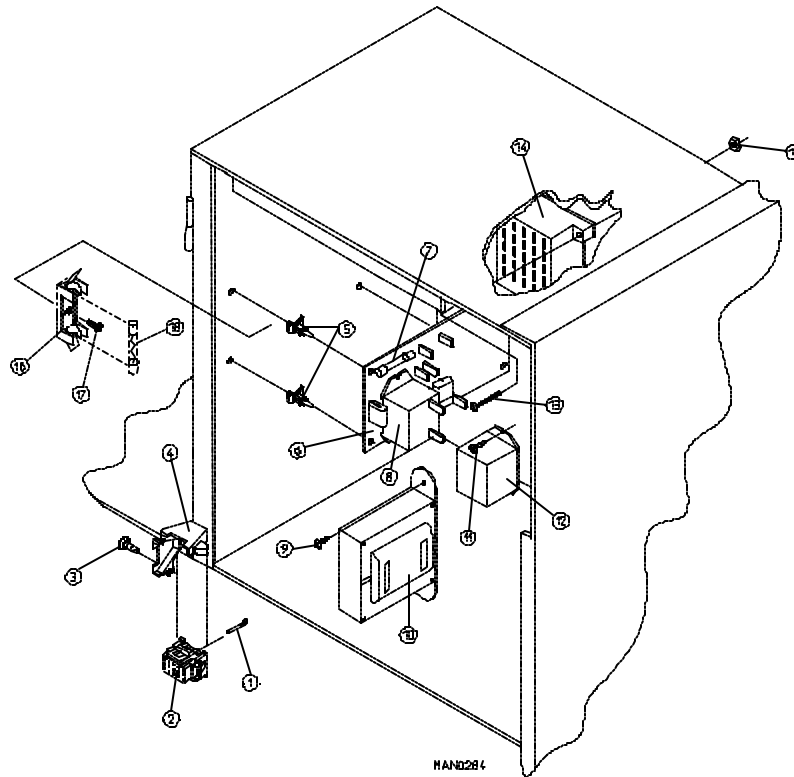
<u>Illus. No.</u>	<u>Part No.</u>	<u>Qty.</u>	<u>Description</u>
1	137021	13 or 15	Microprocessor Socket ONLY
2	137020	1	15-Pin Microprocessor Connector ONLY
	122800	1	Microprocessor (female) Pin Extraction Tool
3	150315	1	#6 x 3/8" Phillips Pan Head "B" Screw
4	137022	1	15-Pin Strain Relief ONLY
5	137013	8	Nylon Standoff
6	-----	1	Arc Suppressor (A.S.) Relay Board (refer to Arc Suppressor [A.S.] Relay Board Listing on page 55)
	137061	1	Arc Suppressor (A.S.) Board ONLY (without relay)
7	131916	1 or 2	P.C.B. (electromechanical) Relay ONLY - 120 Volt
	131930	1 or 2	P.C.B. (electromechanical) Relay ONLY - 208/230 Volt
8	140150	1	Diode Logic Board ONLY
9	136052	1 or 2	4-Amp Fuse ONLY
10	150309	2	#10-16 x 1/2" Hex Head TEK Crimp Screws
11	131030	1	Steam Valve Relay - 120 Volt (for high pressure steam models Only)
	131031	1	Steam Valve Relay - 208/230 Volt (for high pressure steam models Only)
12	150002	2	#6-32 x 1" Phillips Round Head Machine Screw
13	120709	1	8-Position Terminal Strip
14	151000	2	#6-32 Pal Nut



Illus. No.	Part No.	Qty.	Description
1	112535	1	OPL English Keyboard Label Assembly
	112276	1	OPL Stick-on Labels (English Only) ... Not Illustrated
	112275	1	OPL Stick-on Labels (Spanish, Italian, and Hebrew) ... Not Illustrated
	112277	1	3-Language OPL Stick-on Labels (English, Spanish, and Hebrew) ... Not Illustrated
	112278	1	5-Language OPL Stick-on Labels (Italian, Dutch, French, German, and Chinese) ... Not Illustrated
2	800057	1	Microprocessor Control Panel ONLY
	800164	1	Microprocessor Control Panel ONLY with Battery Bracket
	800171	1	Phase 4 OPL Non-Reversing Microprocessor Control Panel Assembly Complete (includes illus. nos. 1 through 8)
	865095	1	Phase 4 OPL Non-Reversing Microprocessor Control Panel Assembly Complete with Battery Option (includes illus. nos. 1 through 8)
3	137125	1	Phase 4 OPL Non-Reversing Controller (computer) ONLY
	137126	1	Phase 4 OPL Non-Reversing Controller (computer) ONLY with Battery Clip
4*	306052	1	Electrostatic Shield
5	150108*	4	#8-32 x 1/2" Phillips Pan Head Machine Screw
	152001	4	#8-32 Hex Nut
6*	153000	4	#8 Steel Burr
7*	137011	4	1/4" Aluminum Standoff
8	160005	1	Spring Turn Latch (2-piece)

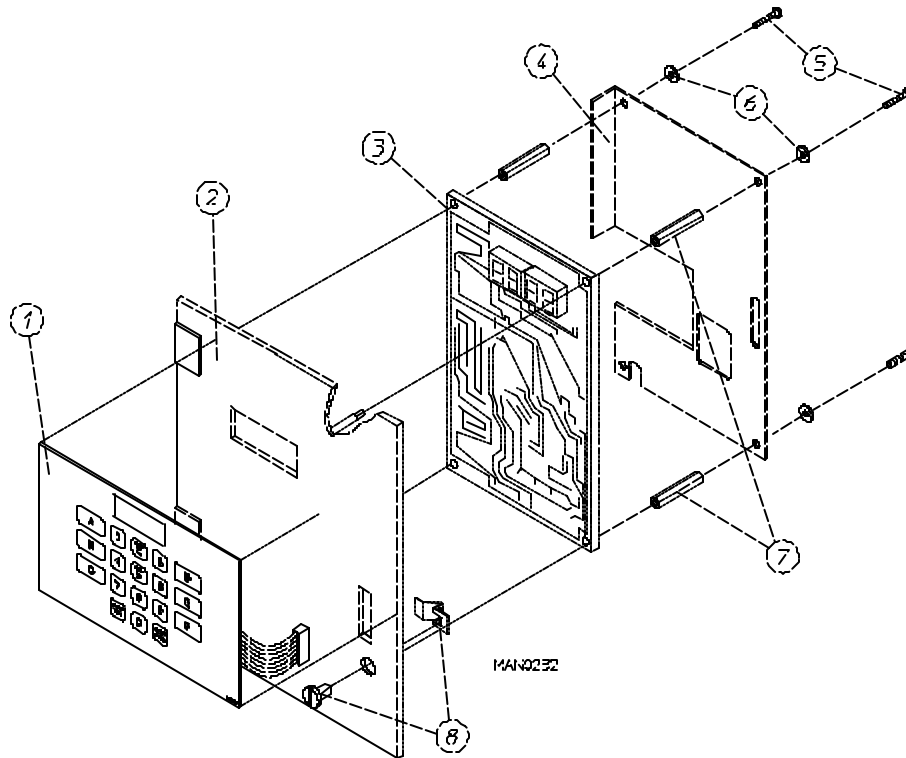
* Used on gas dryer models with the Direct Spark Ignition (DSI) system manufactured prior to March 13, 1989.

IMPORTANT: Check label on computer chip to verify correct part number for controller (computer).



<u>Illus. No.</u>	<u>Part No.</u>	<u>Qty.</u>	<u>Description</u>
1	137021	12	Microprocessor Socket ONLY
2	137020	1	15-Pin Microprocessor Connector ONLY
	122800	1	Microprocessor (female) Pin Extraction Tool
3	150315	1	#6 x 3/8" Phillips Pan Head "B" Screw
4	137022	1	15-Pin Strain Relief ONLY
5	137013	4	Nylon Standoff
6	-----	1	Arc Suppressor (A.S.) Relay Board (refer to Arc Suppressor [A.S.] Relay Board Listing on page 55)
	137061	1	Arc Suppressor (A.S.) Board ONLY (without relay)
7	136052	1 or 2	4-Amp Fuse ONLY
8	131916	1	P.C.B. (electromechanical) Relay ONLY - 120 Volt
	131930	1	P.C.B. (electromechanical) Relay ONLY - 208/230 Volt
9	150300	2	#10-16 x 1/2" Hex Washer TEK Screw
10	141403	1	Direct Spark Ignition (DSI) 24 VAC Transformer (for use on gas models with Direct Spark Ignition [DSI] Only)
11	150309	2	#10-16 x 1/2" Hex Head TEK Crimpite Screw
12	131030	1	Steam Valve Relay - 120 Volt (for high pressure steam models Only)
	131031	1	Steam Valve Relay - 208/230 Volt (for high pressure steam models Only)
13	150002	2	#6-32 x 1" Phillips Round Head Machine Screw
14	120715	1	30-Position Terminal Block
15	151000	2	#6-32 Pal Nut
16	136008	*	Fuse Block/Strip ONLY
17	150301	*	#8 x 7/16" Self Drilling Screw
18	136057	*	1/2-Amp (slo blo) Fuse ONLY

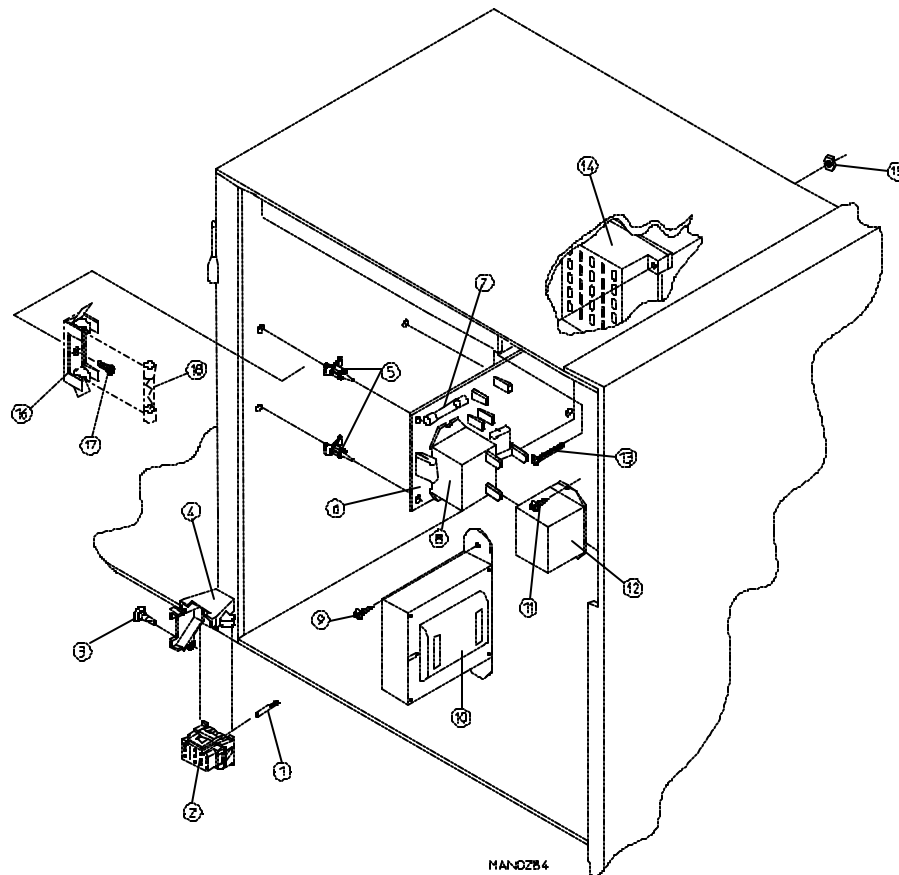
* As required.



<u>Illus. No.</u>	<u>Part No.</u>	<u>Qty.</u>	<u>Description</u>
1	112535	1	OPL English Keyboard Label Assembly
	112276	1	OPL Stick-on Labels (English Only) ... Not Illustrated
	112275	1	OPL Stick-on Labels (Spanish, Italian, and Hebrew) ... Not Illustrated
	112277	1	3-Language OPL Stick-on Labels (English, Spanish, and Hebrew) ... Not Illustrated
	112278	1	5-Language OPL Stick-on Labels (Italian, Dutch, French, German, and Chinese) ... Not Illustrated
2	800057	1	Microprocessor Control Panel ONLY
	800164	1	Microprocessor Control Panel ONLY with Battery Bracket
	865092	1	Phase 4 OPL Reversing Microprocessor Control Panel Assembly Complete (includes illus. nos. 1 through 8)
	865096	1	Phase 4 OPL Reversing Microprocessor Control Panel Assembly Complete with Battery Option (includes illus. nos. 1 through 8)
3	137127	1	Phase 4 OPL Reversing Controller (computer) ONLY
	137128	1	Phase 4 OPL Reversing Controller (computer) ONLY with Battery Clip
4*	306052	1	Electrostatic Shield
5	150108*	4	#8-32 x 1/2" Phillips Pan Head Machine Screw
	152001	4	#8-32 Hex Nut
6*	153000	4	#8 Steel Burr
7*	137011	4	1/4" Aluminum Standoff
8	160005	1	Spring Turn Latch (2-piece)

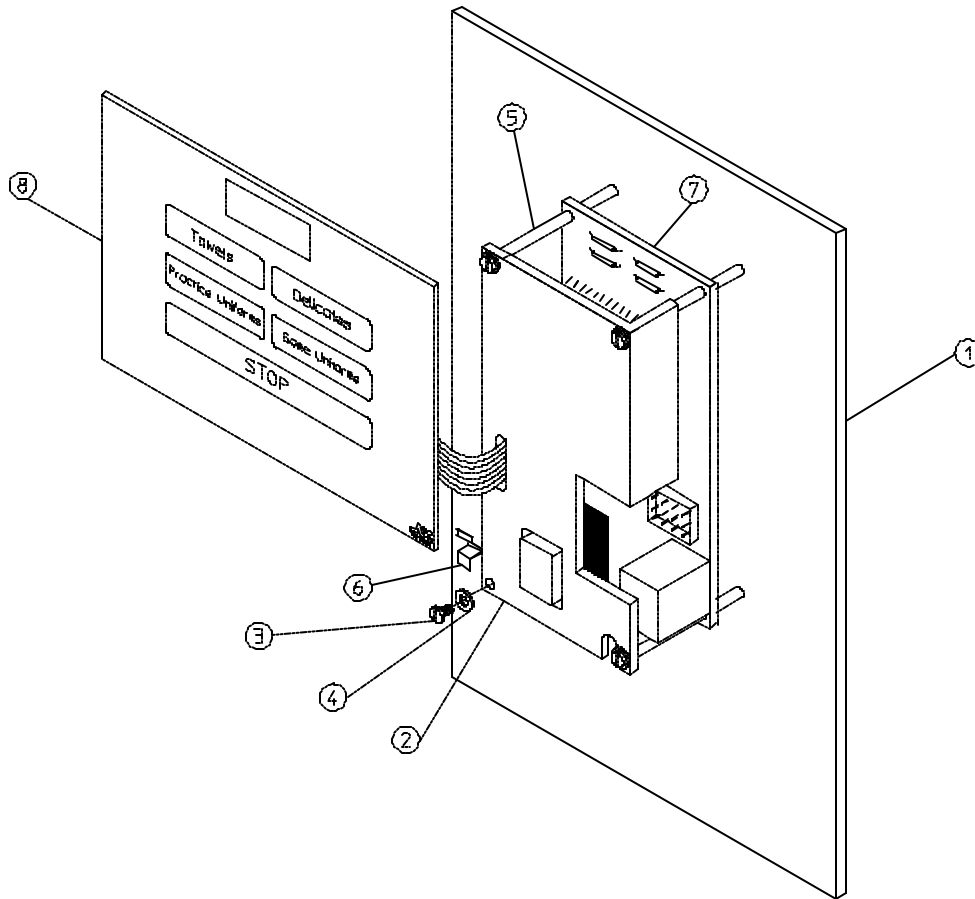
* Used on gas dryer models with the Direct Spark Ignition (DSI) system manufactured prior to March 13, 1989.

IMPORTANT: Check label on computer chip to verify correct part number for controller (computer).



Illus. No.	Part No.	Qty.	Description
1	137021	14	Microprocessor Socket ONLY
2	137020	1	15-Pin Microprocessor Connector ONLY
	122800	1	Microprocessor (female) Pin Extraction Tool
3	150315	1	#6 x 3/8" Phillips Pan Head "B" Screw
4	137022	1	15-Pin Strain Relief ONLY
5	137013	4	Nylon Standoff
6	-----	1	Arc Suppressor (A.S.) Relay Board (refer to Arc Suppressor [A.S.] Relay Board Listing on page 55)
	137061	1	Arc Suppressor (A.S.) Board ONLY (without relay)
7	136052	1 or 2	4-Amp Fuse ONLY
8	131930	1	P.C.B. (electromechanical) Relay ONLY - 208/230 Volt
9	150300	2	#10-16 x 1/2" Hex Washer TEK Screw
10	141403	1	Direct Spark Ignition (DSI) 24 VAC Transformer (for use on gas models with Direct Spark Ignition [DSI] Only)
11	150309	2	#10-16 x 1/2" Hex Head TEK CrimpTite Screw
12	131031	1	Steam Valve Relay - 208/230 Volt (for high pressure steam models Only)
13	150002	2	#6-32 x 1" Phillips Round Head Machine Screw
14	120715	1	30-Position Terminal Block
15	151000	2	#6-32 Pal Nut
16	136008	*	Fuse Block/Strip ONLY
17	150301	*	#8 x 7/16" Self Drilling Screw
18	136057	*	1/2-Amp (slo blo) Fuse ONLY

* As required.

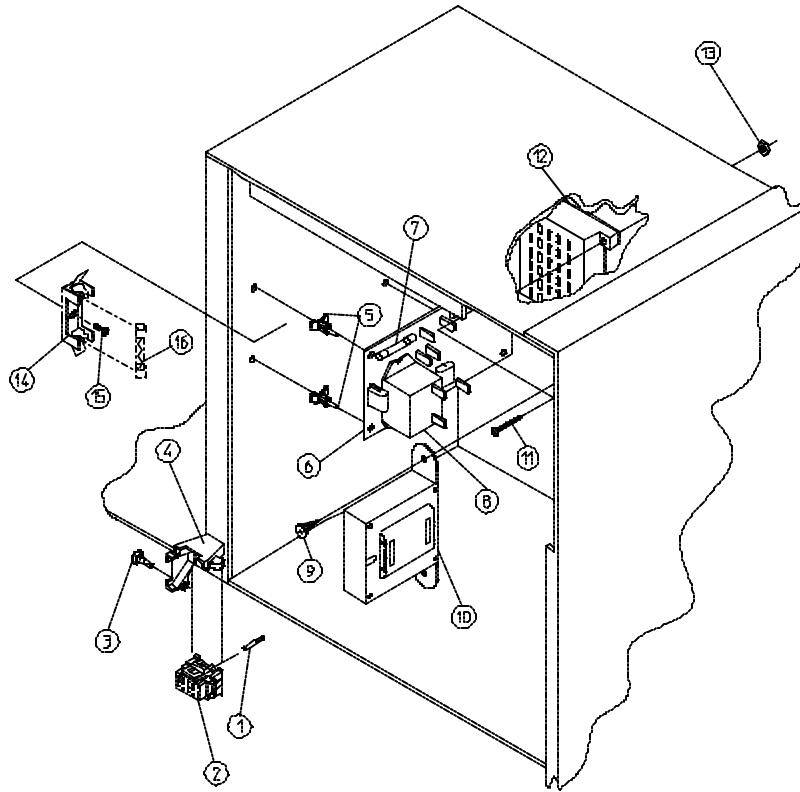


MAN0196

<u>Illus. No.</u>	<u>Part No.</u>	<u>Qty.</u>	<u>Description</u>
1	800057	1	OPL Microprocessor Control Panel ONLY
	865106	1	Phase 4 OPL UniSport® Direct Spark Ignition (DSI) Non-Reversing Control Panel Assembly Complete (includes illus. nos. 1 through 8)
	865105	1	Phase 4 OPL UniSport® Direct Spark Ignition (DSI) Reversing Control Panel Assembly Complete (includes illus. nos. 1 through 8)
2*	306052	1	Electrostatic Shield
3	150108*	4	8-32 x 1/2" Pan Head Machine Screw
	152001	4	8-32 Hex Nut
4*	153000	4	#8 Steel Burr
5*	137011	4	8/32" Aluminum Standoff
6	160005	1	Turn Latch (2-piece)
7	137125	1	Phase 4 OPL Non-Reversing Controller ONLY
	137127	1	Phase 4 OPL Reversing Controller ONLY
8	112523	1	UniSport® OPL Keyboard Label Assembly

* Used on UniSport® dryers manufactured prior to March 13, 1989.

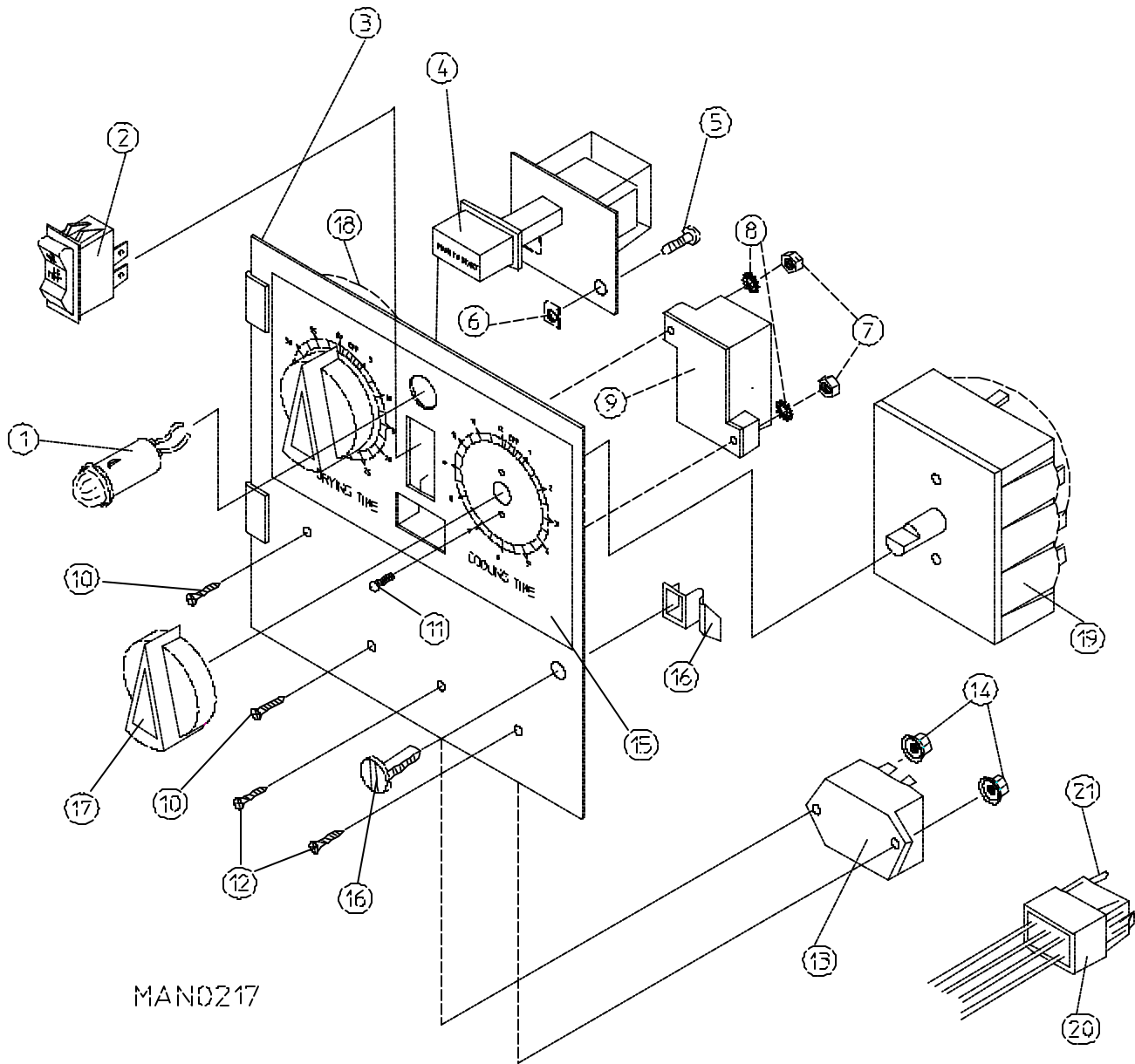
IMPORTANT: When ordering a replacement Phase 4 OPL microprocessor controller (computer) from the ADC factory for UniSport® option dryers, please advise the customer service representative that the replacement microprocessor controller (computer) is to be preprogrammed with the special UniSport® parameters (programs).



MAN0219

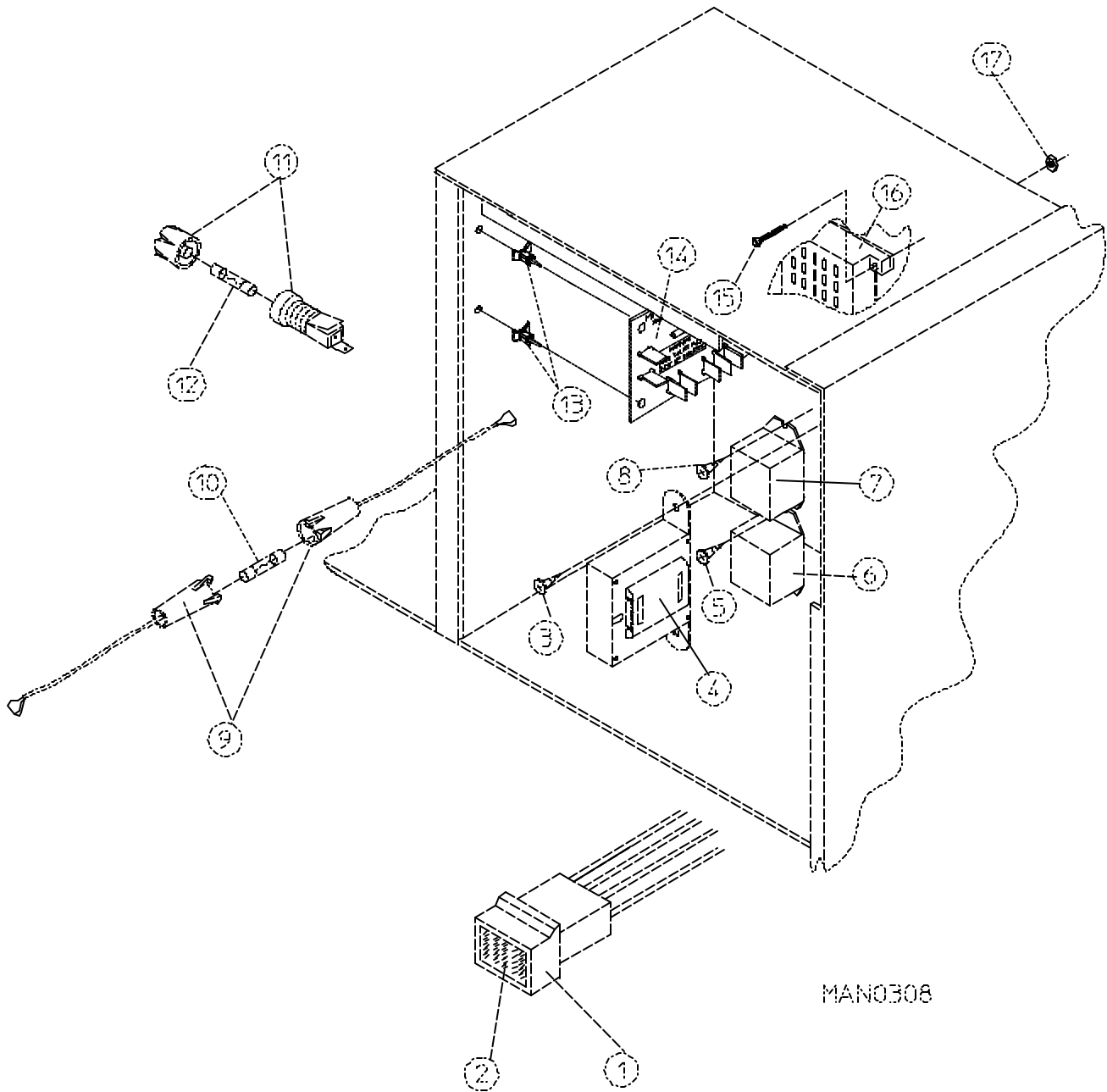
<u>Illus. No.</u>	<u>Part No.</u>	<u>Qty.</u>	<u>Description</u>
1	137021	12 or 14	Microprocessor Socket ONLY
2	137020	1	15-Pin Microprocessor Connector ONLY
	122800	1	Microprocessor (female) Pin Extraction Tool
3	150315	1	#6 x 3/8" Phillips Pan Head "B" Screw
4	137022	1	15-Pin Strain Relief ONLY
5	137013	4	Nylon Standoff
6	-----	1	Arc Suppressor (A.S.) Relay Board (refer to Arc Suppressor [A.S.] Relay Board Listing on page 55)
	137061	1	Arc Suppressor (A.S.) Board ONLY (without relay)
7	136052	1 or 2	4-Amp Fuse ONLY
8	131916	1	P.C.B. (electromechanical) Relay ONLY - 120 Volt
	131930	1	P.C.B. (electromechanical) Relay ONLY - 208/230 Volt
9	150300	1	#10-16 x 1/2" Hex Washer TEK Screw
10	141403	1	Direct Spark Ignition (DSI) 24 VAC Transformer (for use on gas models with Direct Spark Ignition [DSI] Only)
11	150002	2	#6-32 x 1" Phillips Round Head Machine Screw
12	120715	1	30-Position Terminal Strip
13	151000	2	#6-32 Pal Nut
14	136008	*	Fuse Block/Strip ONLY
15	150301	*	#8 x 7/16" Self Drilling Screw
16	136057	*	1/2-Amp (slo blo) Fuse ONLY

* As required.



MAN0217

<u>Illus. No.</u>	<u>Part No.</u>	<u>Qty.</u>	<u>Description</u>
1	123000	1	Red Indicator Light - 120 Volt
	123001	1	Red Indicator Light - 230 Volt
2	122400	1	Rocker Heat Selector Switch
3	824015	1	Dual Timer Control Panel Assembly Complete - 120 Volt (includes illus. nos. 1 through 21)
	824015	1	Dual Timer Control Panel Assembly Complete - 230 Volt (includes illus. nos. 1 through 21)
	800051	1	Dual Timer Control Panel ONLY
4	131812	1	Push-to-Start Relay - 120 Volt
	131813	1	Push-to-Start Relay - 230 Volt
5	150207	2	#10-24 x 1/2" Phillips Round Head Machine Screw
6	154001	2	#10-24 Speed Nut
7	152000	2	#6-32 Hex Nut
8	153010	2	#6 Star Washer
9	120713	1	18-Position Terminal Block (for models mfd. as of May 3, 1989)
	120708	1	3-Position Terminal Block (for models mfd. prior to May 3, 1989)
10	150002	2	#6-32 x 1" Phillips Round Head Machine Screw
11	150110	4	#8-32 x 1/4" Phillips Round Head Machine Screw
12	150001	2	#6-32 x 1/2" Phillips Round Head Machine Screw
13	131030	1	Dual Timer Relay - 120 Volt
	131031	1	Dual Timer Relay - 230 Volt
14	151000	2	#6-32 Pal Nut
15	112050	1	Dual Timer Label ONLY
16	160005	1	Spring Turn Latch (2-piece)
17	124103	2	Arrow Timer Knob
18	124020	1	60-Minute Timer - 120 Volt
	124021	1	60-Minute Timer - 230 Volt
19	124032	1	15-Minute Timer - 120 Volt
	124023	1	60-Minute Timer - 230 Volt
20	122602	1	9-Pin Connector ONLY
21	122700	8	Pin Terminal ONLY
---	122801	1	Pin/Socket Extraction Tool

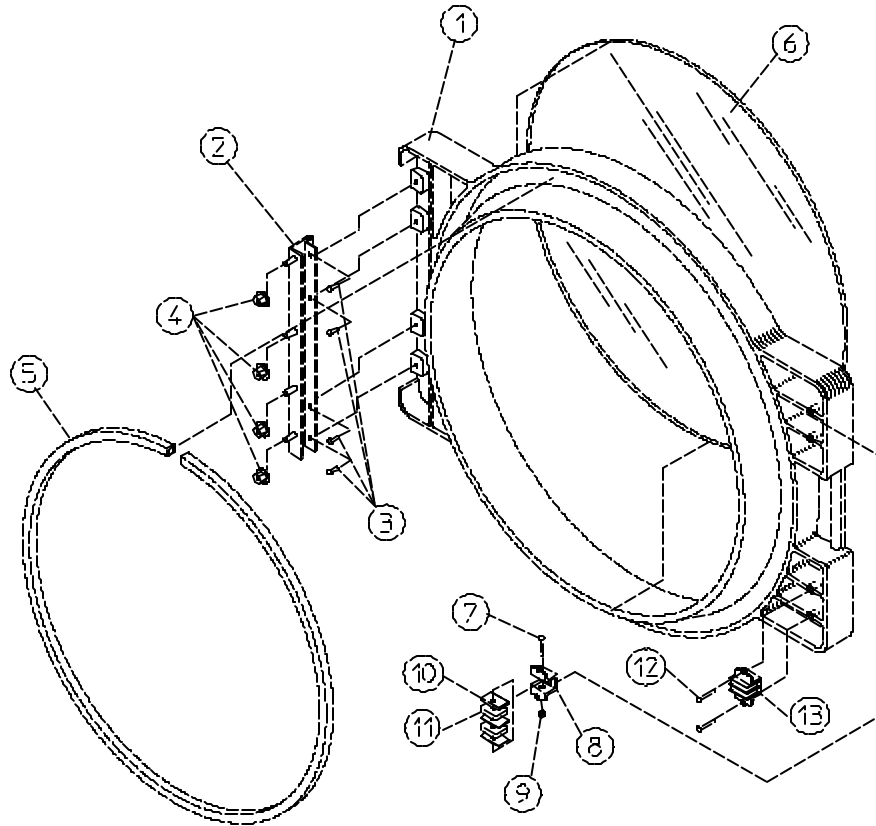


<u>Illus. No.</u>	<u>Part No.</u>	<u>Qty.</u>	<u>Description</u>
1	122603	1	9-Pin Socket Connector ONLY
2	122701	9	Socket Terminal ONLY
	122801	1	Pin/Socket Extraction Tool
3	150300	2	#10-16 x 1/2" Hex Washer TEK Screw
4	141403	1	Direct Spark Ignition (DSI) 24 VAC Transformer (for use on gas models with Direct Spark Ignition [DSI] Only)
5	150309	2	#10-16 x 1/2" Hex Head TEK Crimptite Screw
6	131030	1	Steam Valve Relay (High Pressure Steam Only) - 120 Volt
	131031	1	Steam Valve Relay (High Pressure Steam Only) - 208/230 Volt
7	131814	1	Motor Control Relay ONLY (120 Volt controls Only)
8	150309	2	#10-16 x 1/2" Hex Head TEK Crimptite Screw
9	875250	2	In-Line Fuse Holder Assembly ONLY (model application varies)
10*	136052	**	4-Amp Fuse ONLY
	136054	**	15-Amp (Slo Blo) Fuse ONLY
	136056	**	20-Amp (Slo Blo) Fuse ONLY
11	136002	1 or 2	Panel Mount Fuse Holder Assembly ONLY (model application varies)
12*	136052	**	4-Amp Fuse ONLY
	136054	**	15-Amp (slo blo) Fuse ONLY
	136056	**	20-Amp (slo blo) Fuse ONLY
13	137013	4	Nylon Standoff
14***	140150	1	Diode Logic Board
15	152002	2	#6-32 x 1" Phillips Round Head Machine Screw
16	120715	1	30-Position Terminal Block
	120709	1	8-Position Terminal Strip
17	151000	2	#6-32 Pal Nut

* Check fuse rating for verification.

** As applicable.

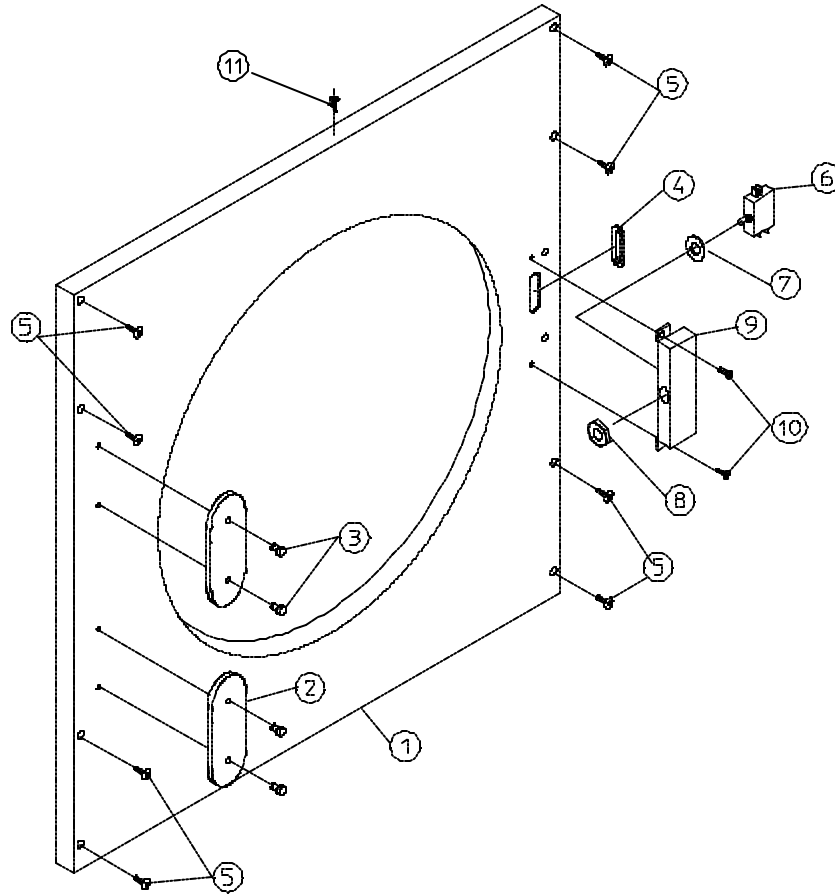
*** For use on Globar® dryer models ONLY.



MAN0155

<u>Illus. No.</u>	<u>Part No.</u>	<u>Qty.</u>	<u>Description</u>
1*	800136	1	Main Door Assembly Complete (includes illus. nos. 1 through 12)
	800133	1	Main Door Assembly Less Accessories (includes illus. nos. 1, 2, and 3)
	800134	1	Main Door with Glass and Gasket ONLY (includes illus. nos. 1, 2, 3, 5, and 6)
2	103050	1	12-1/2" Stainless Steel Main Door Hinge
3	150410	4	#10-24 x 3/8" Phillips Pan Head Taptite Screw
4	152014	4	1/4-20 Free Spin Wash Nut
5	102350	1	68-1/2" Main Door Gasket
6	102210	1	20-7/16" Door Glass
7	150002	2	6-32 x 1" Phillips Round Head Machine Screw
8	102105	2	Magnet Holder ONLY
9	152013	2	#6-32 Hex Nut
10	306802	6	Magnet Keeper ONLY
11	102102	4	Door Magnet (.215)
12	150410	4	#10-24 x 3/8" Phillips Pan Head Taptite Screw
13	800131	2	Cast Aluminum Magnet Holder Assembly Complete (includes illus. nos. 7 through 11)
---	170730	1	Main Door Gasket/Glass Adhesive (10.3 oz. cartridge)

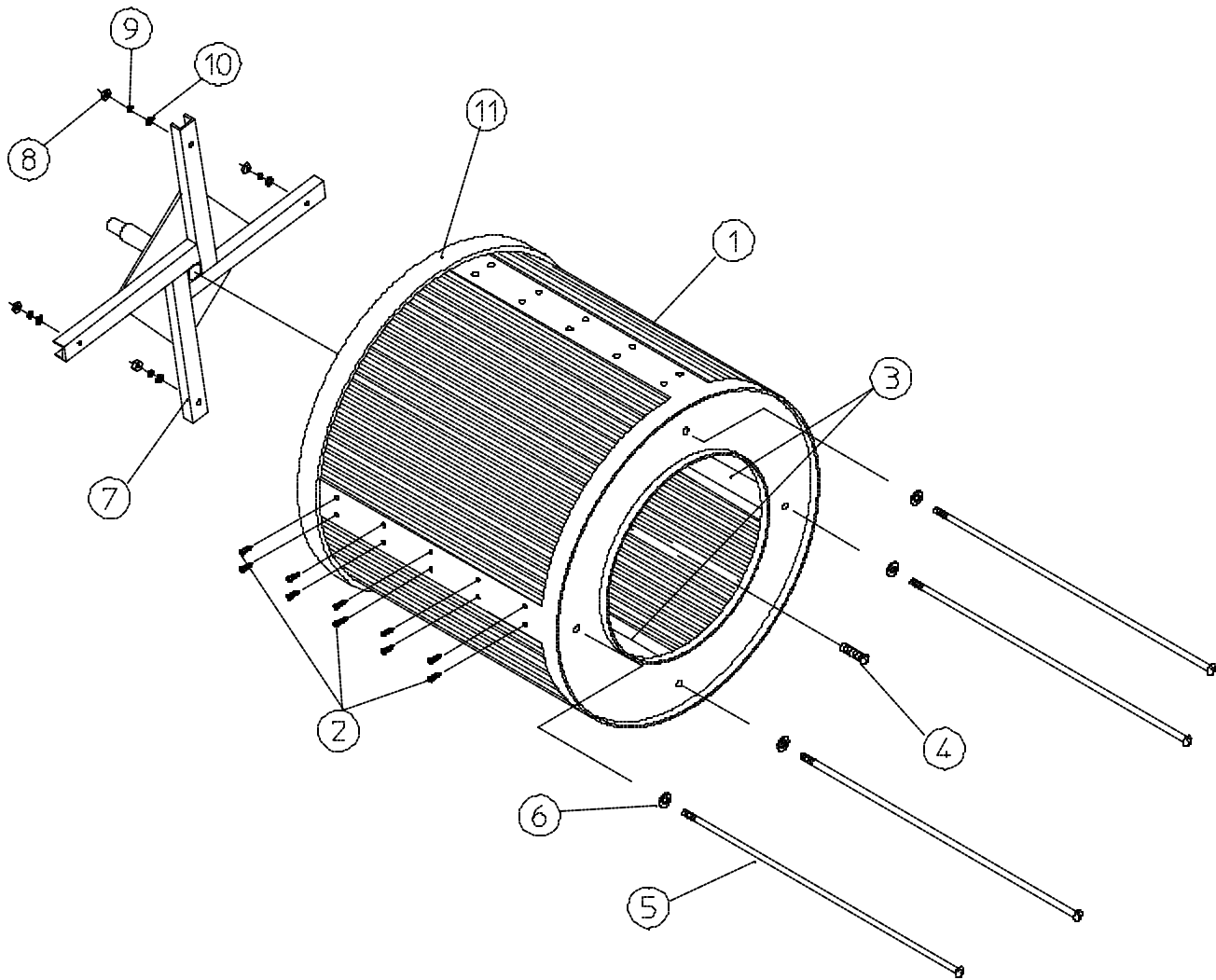
* **ALL** model dryers manufactured as of June 1, 1989 are built with a lightweight main door assembly.



MAN0091

Illus. No.	Part No.	Qty.	Description
1	800367*	1	Right Hand Front Panel Assembly Complete (includes illus. nos. 1 through 4)
	800373*	1	Right Hand Insulated Front Panel Assembly Complete (includes illus. nos. 1 through 4)
	800355	1	Stainless Steel Right Hand Front Panel Assembly Complete (includes illus. nos. 1 through 4)
2	313903	2	3-1/2" Stainless Steel Striker Pad
3	154200	4	5/32" Pop Rivet
4	121405	1	Rubber Grommet
5	150309	8	#10-16 x 1/2" Hex Head TEK Crimptite Screw
6	137003	1	Door Switch ONLY (includes illus. nos. 6, 7, and 8)
7	401551	1 or 2	Door Switch Spacer/Washer
8	152003	1	#3/8-32 x 1/2 x 1/16" Door Switch Nut
9	870010	1	Door Switch Housing Assembly Complete (includes illus. nos. 6 through 9)
	313209	1	Door Switch Housing ONLY
10	150301	2	#8-18 x 7/16" Phillips Pan Head TEK Screw
11	150300	1	#10-16 x 1/2" Hex Washer TEK Screw

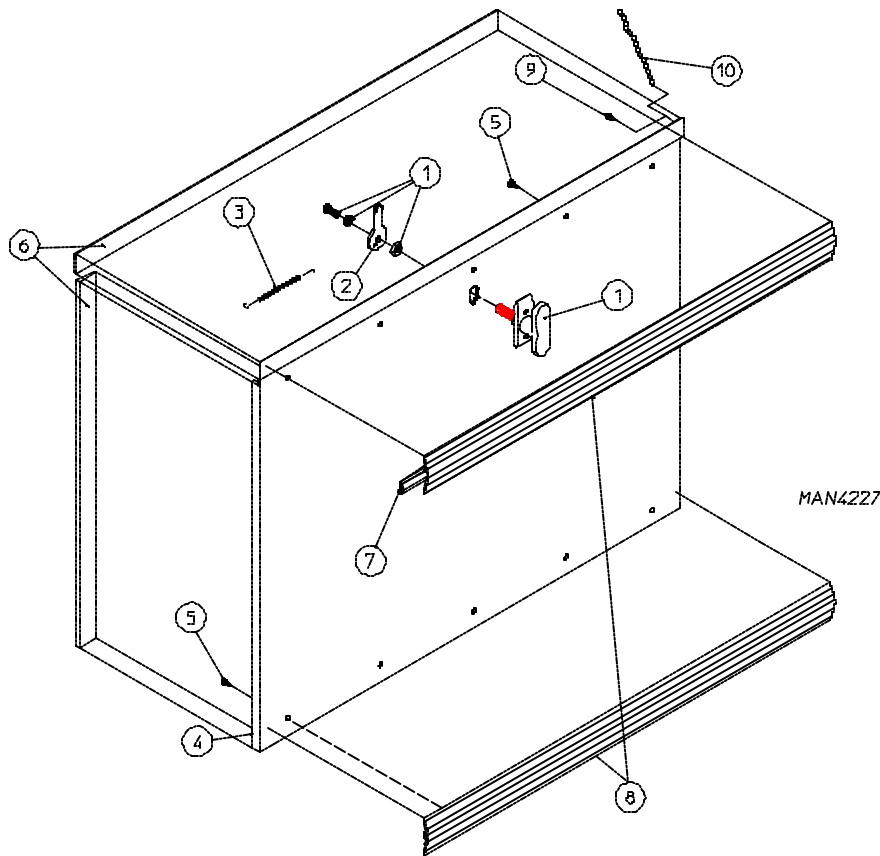
* Specify color when ordering.



MAN0404

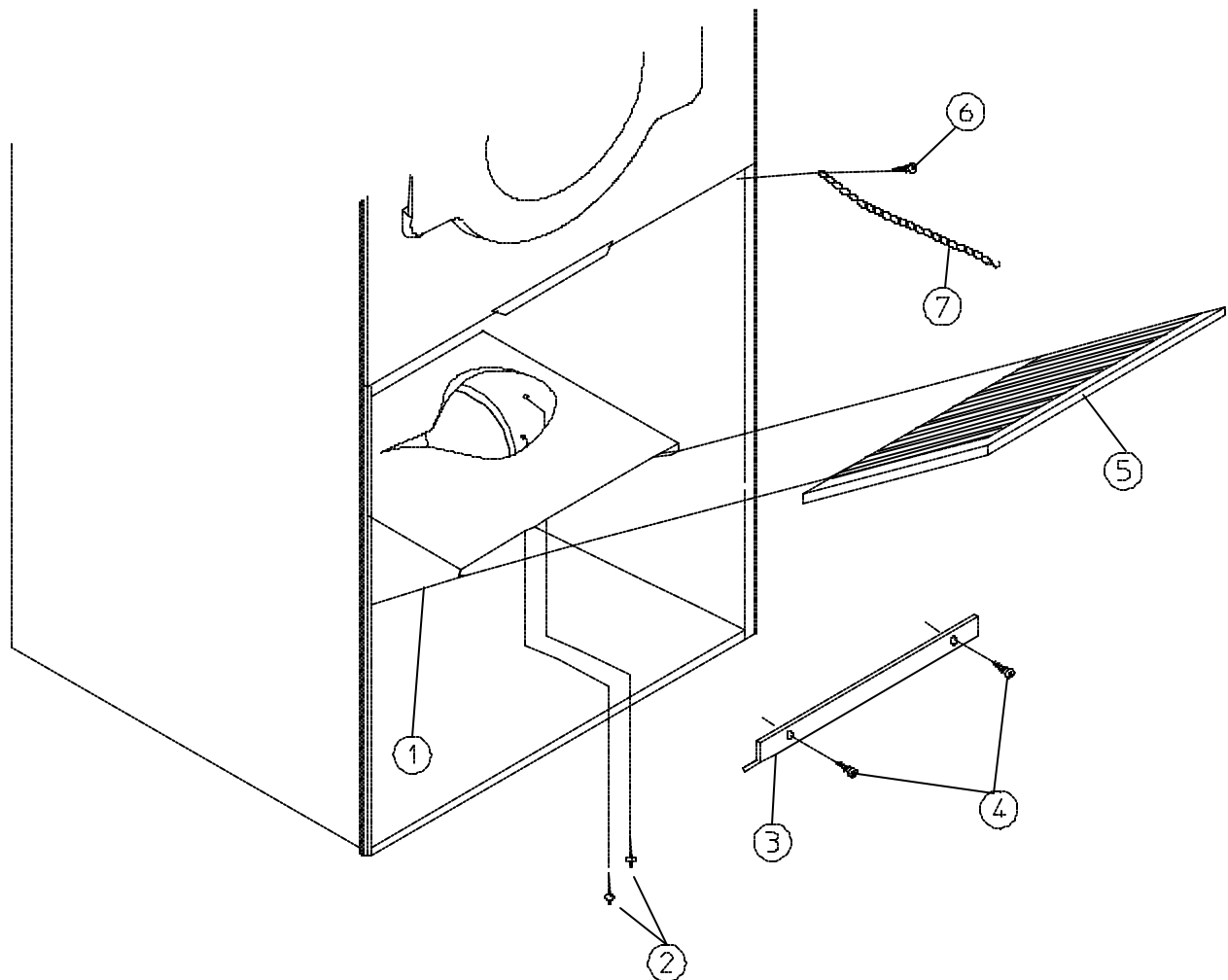
<u>Illus. No.</u>	<u>Part No.</u>	<u>Qty.</u>	<u>Description</u>
1	800706	1	Basket (tumbler) ONLY without Felt Collar
	800856	1	Stainless Steel Basket (tumbler) ONLY without Felt Collar
	800806*	1	1-3/8" Non-Reversing Basket (tumbler) and Support Assembly Complete (includes illus. nos. 1 through 10)
	800866*	1	1-3/8" Stainless Steel Non-Reversing Basket (tumbler) and Support Assembly Complete (includes illus. nos. 1 through 10)
	800818*	1	1-3/4" Reversing Basket (tumbler) and Support Assembly Complete (includes illus. nos. 1 through 10)
	800875*	1	1-3/4" Stainless Steel Reversing Basket (tumbler) and Support Assembly Complete (includes illus. nos. 1 through 10)
2	150309	40	#10-16 x 1/2" Hex Head TEK Crimptite Screw
3	301301	4	Basket (tumbler) Rib ONLY
	301401	4	Stainless Steel Basket (tumbler) Rib ONLY
4	150500	1	5/16-18 x 3/4" Socket Button Head Screw
5	100902	4	5/16-18 x 31" Tie Rod
6	153001	4	5/16" Flat Washer
7	800606	1	1-3/8" Non-Reversing Basket (tumbler) Support ONLY
	800615	1	1-3/4" Reversing Basket (tumbler) Support ONLY
8	152004	4	5/16-18" Hex Nut
9	153002	4	5/16" Lock Washer
10	153001	4	5/16" Flat Washer
11	116002	1	Felt Collar ONLY
---	401010	1	#847 Adhesive for Felt Collar

* Felt collar *is not included* and **must be** ordered separately.



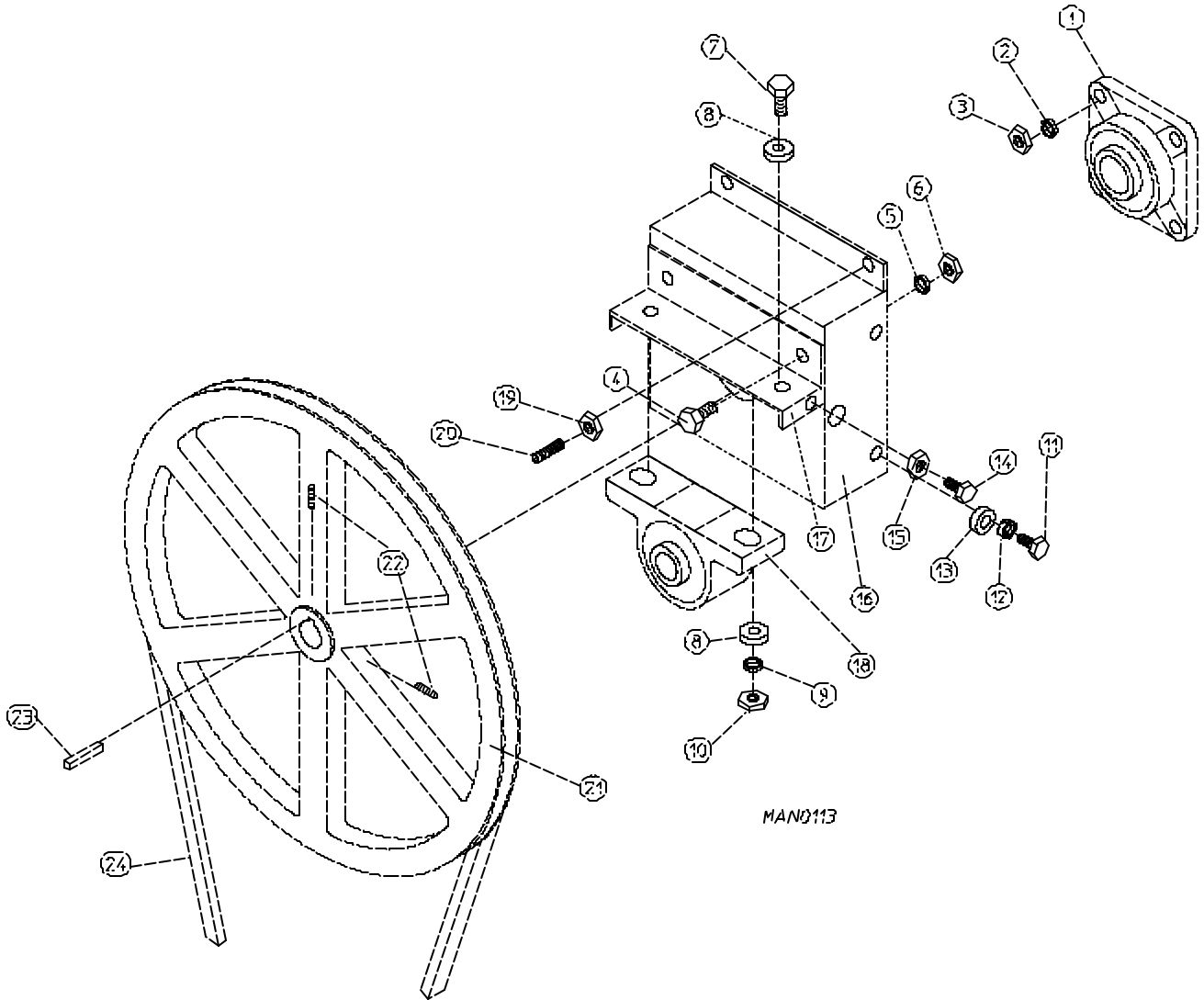
<u>Illus. No.</u>	<u>Part No.</u>	<u>Qty.</u>	<u>Description</u>
1	160003	1	Dummy Lock ONLY
	160104	1	MK-100 Key ONLY
	800150	1	Knob Latch Kit Assembly ... Not Illustrated
	160200	1	Knob Latch with 2 Screws
2	160008	1	Lock Cam ONLY
	160009	1	Knob Latch Adjustable Cam ONLY
	150425	1	#12-24 x 3/8" Phillips Round Head Machine Screw (screw for knob latch adjustable cam)
3	157000	1	Drop Lint Door Spring
4	800217*	1	Drop Lint Door Assembly (includes illus. nos. 4 through 8)
	800235*	1	Insulated Drop Lint Door Assembly (includes illus. nos. 4 through 8)
	800241	1	Stainless Steel Drop Lint Door Assembly (includes illus. nos. 4 through 8)
5	150201	10	#10-32 x 1/4" Phillips Round Head Machine Screw
6	117604	7	Neoprene Sponge Tape (sold by the foot)
7	102307	3	Trim Bumper Gasket (sold by the foot)
8	180212	2	Trim/Kick Plate (38-1/4" length)
9	150419	2	#6 x 1/2" Tamperproof TEK Screw
10	108120	1	Chain for Drop Lint Door (10-1/2" length)
---	150418	1	Tamperproof Screw Hand Driver

* Specify color when ordering.

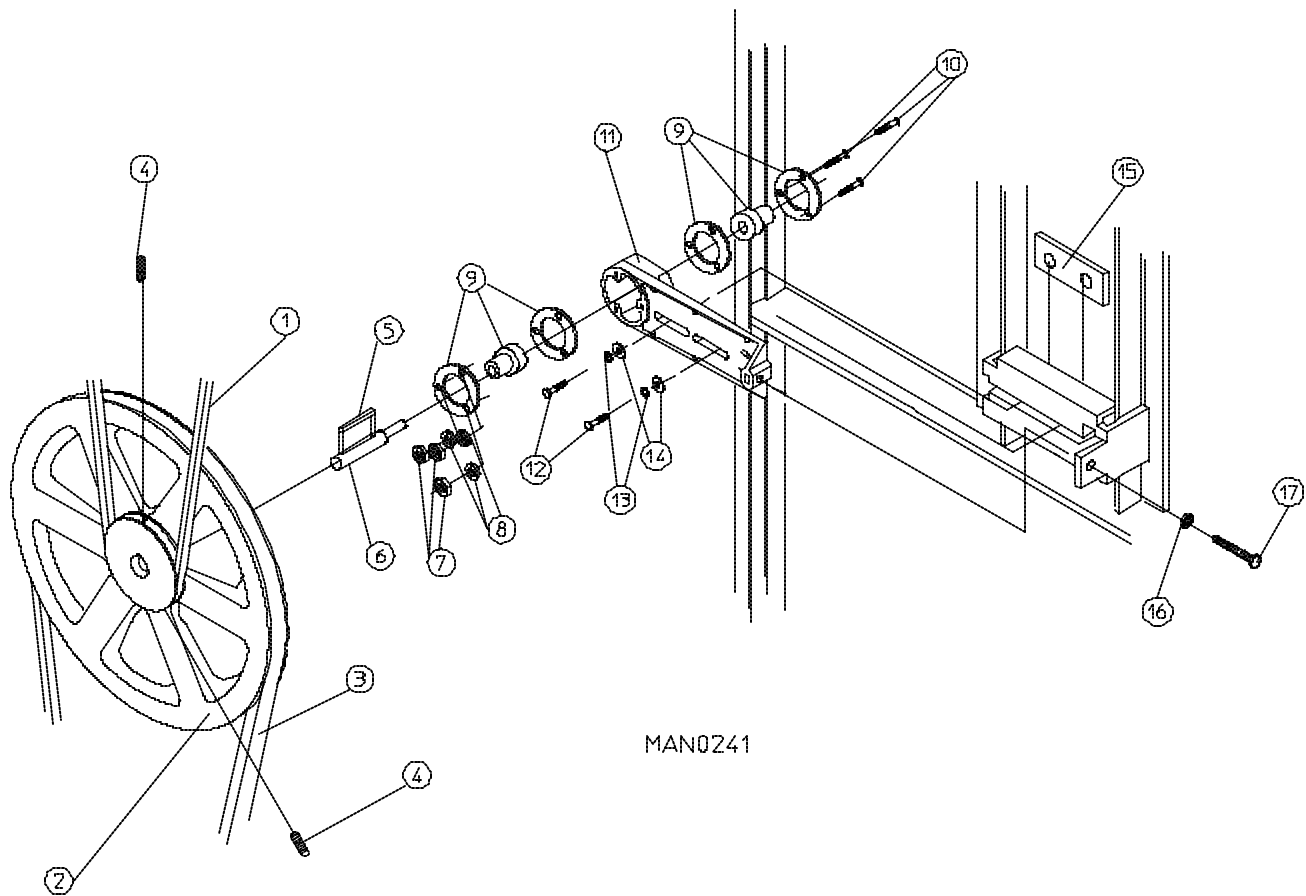


MAN0107

Illus. No.	Part No.	Qty.	Description
1	800402	1	Non-Reversing Lint Trap Assembly Complete (includes illus. nos. 1, 3, 4, and 5)
	800404	1	Non-Reversing Lint Trap ONLY
	800407	1	Reversing Lint Trap Assembly Complete (includes illus. nos. 1, 3, 4, and 5)
	800406	1	Reversing Lint Trap ONLY
2	154200	7	5/32" Pop Rivet
3	304101	1	Lint Screen Holder ONLY
4	150300	2	#10-16 x 1/2" Hex Washer TEK Screw
5	800501	1	Lint Screen ONLY
6	150419	2	#6 x 1/2" Tamperproof TEK Screw
7	108120	1	Chain for Drop Lint Door (10-1/2" length)
-	150418	1	Tamperproof Screw Hand Driver



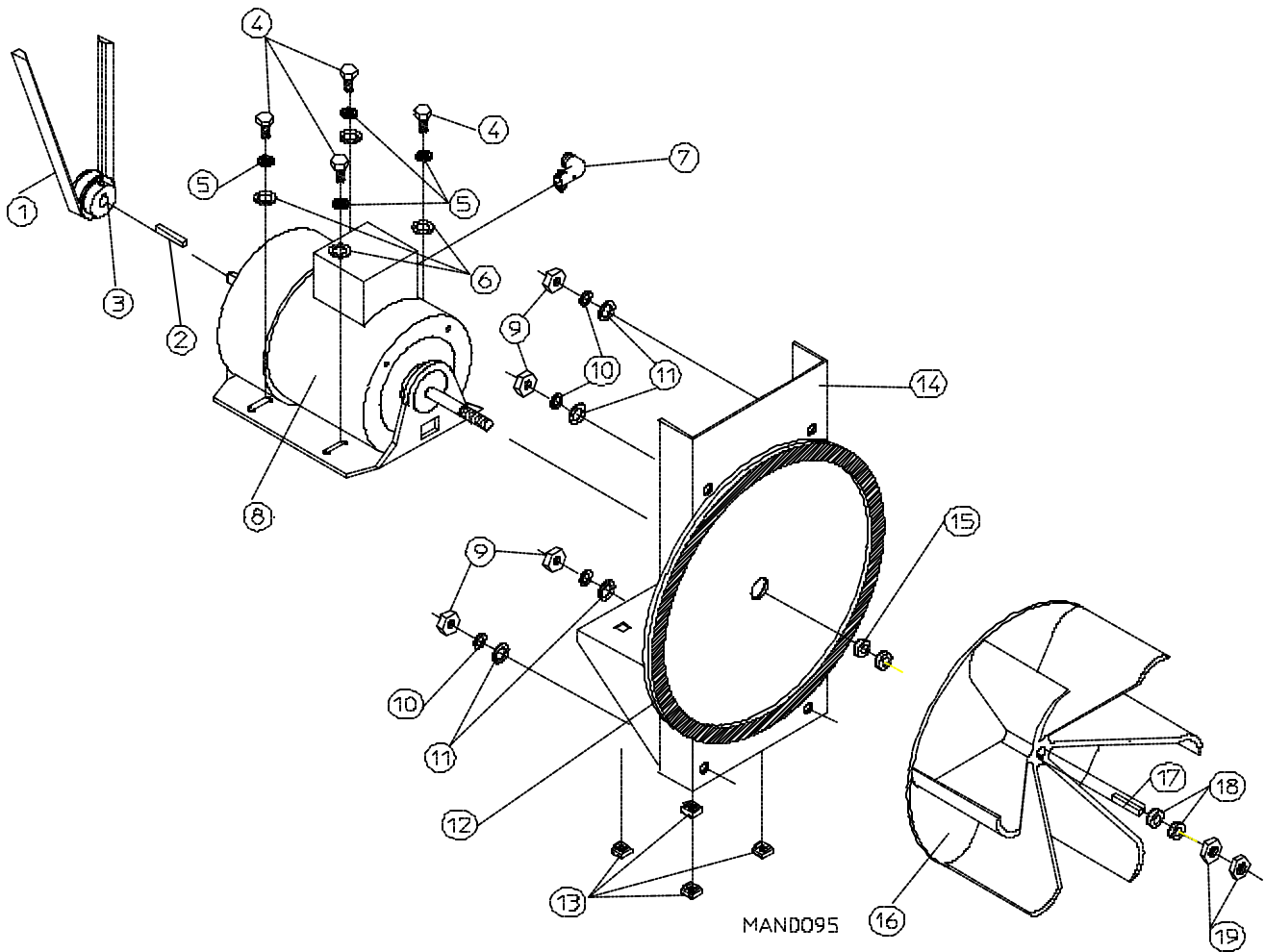
<u>Illus. No.</u>	<u>Part No.</u>	<u>Qty.</u>	<u>Description</u>
1	100203	1	1-3/8" Flange Bearing (for non-reversing models Only)
	100220	1	1-3/4" Flange Bearing (for reversing models Only)
2	153005	4	3/8" Lock Washer (for non-reversing models Only)
	153025	4	9/16" Lock Washer (for reversing models Only)
3	152005	4	3/8-16 Hex Nut (for non-reversing models Only)
	152050	4	9/16-12 Hex Nut (for reversing models Only)
4	150508	2	3/8-16 x 3/4" Hex Head Machine Bolt
5	153005	2	3/8" Lock Washer
6	152005	2	3/8-16 Hex Nut
7	150600	2	3/8-16 x 1/2" Hex Head Machine Bolt
8	153004	2 or 4	3/8" Flat Washer
9	153005	2	3/8" Lock Washer
10	152005	2	3/8-16 Hex Nut
11	150501	4	5/16-18 x 3/4" Hex Head Machine Bolt
12	153002	4	5/16" Lock Washer
13	153001	4	5/16" Flat Washer
14	150621	2	5/16-18 x 1-1/2" Hex Head Machine Bolt
15	152004	2	5/16-18 Hex Nut
16	801101	1	1-3/8" Bearing Box Assembly Complete (includes illus. nos. 4 through 20)
	801103	1	1-3/8" Bearing Box and Support ONLY (includes illus. nos. 4, 5, 6, 16, and 17)
	801105	1	1-3/8" Bearing Box ONLY
17	801104	1	Pillow Block Bearing Support ONLY
18	100202	1	1-3/8" Pillow Block Bearing ONLY
19	152005	2	3/8-16 Hex Nut
20	154303	2	3/8-16 x 1/4" Allen Set Screw
21	101100	1	18" Pulley (for non-reversing models Only)
	101118	1	18-3/4" Sprocket Pulley (for reversing models Only)
	101119	1	1-3/8" Taper Lock Hub (for reversing models Only)
22	154301	2	5/16-18 x 5/16" Allen Set Screw
23	100713	1	1/4" x 1/4" x 7/8" Key
24	100106	1	5L-690 V-Belt (basket [tumbler] to idler)



MAN0241

<u>Illus. No.</u>	<u>Part No.</u>	<u>Qty.</u>	<u>Description</u>
1	100106	1	5L-690 V-Belt (idler to basket [tumbler])
2	101140	1	14" x 3" Compound Pulley
3	100114	1	4L-630 V-Belt (idler to motor) (for dryers mfd. as of August 1, 1990)
	100117	1	4L-620 V-Belt (idler to motor) (for dryers mfd. prior to August 1, 1990)
4	154301	2	5/16-18 x 1" Allen Set Screw
5	100705	1	3/16" x 3/16" x 1-3/8" Key
6	301850	1	5/8" x 3/4" Idler Shaft ONLY
7	152002	3	1/4-20 Hex Nut
8	153007	3	1/4" Lock Washer
9	100214	2	5/8" Flange Bearing
10	150521	3	1/4-20 x 2" Carriage Bolt
11	801007	1	Idler Bearing Assembly Complete (includes illus. nos. 6 through 17)
12	150617	2	3/8-16 x 1" Hex Head Machine Bolt
13	153005	2	3/8" Lock Washer
14	153004	2	3/8" Flat Washer
15	801009	1	Idler Square Washer
16	152004	1	5/16-18 Hex Nut
17	150509	1	5/16-18 x 3" Hex Head Machine Bolt

26 *Non-Reversing Totally Enclosed, Fan-Cooled (T.E.F.C.) Motor Mount Assembly*

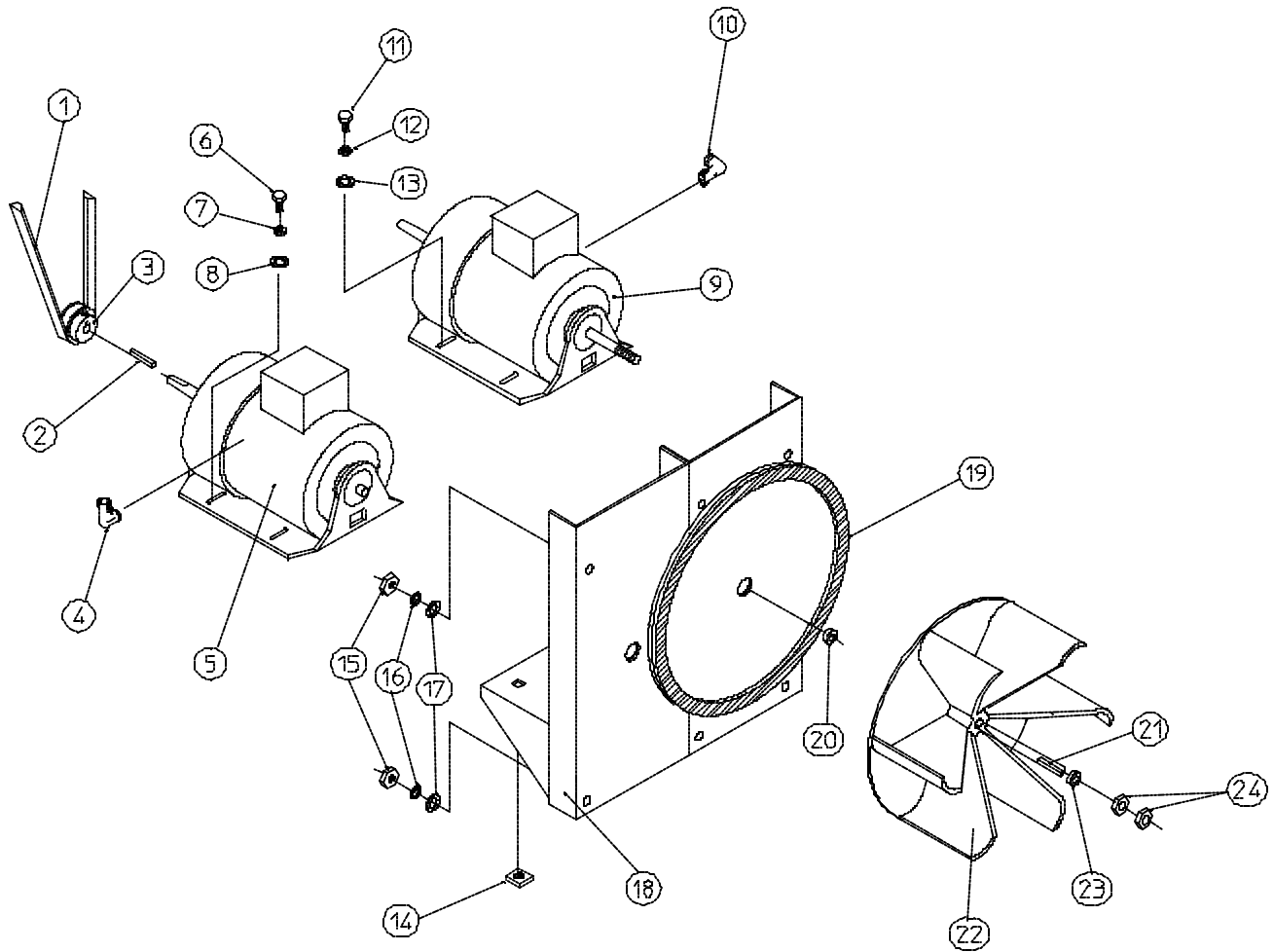


<u>Illus. No.</u>	<u>Part No.</u>	<u>Qty.</u>	<u>Description</u>
1	100114	1	4L-630 V-Belt (motor to idler assembly) (for dryers mfd. as of August 1, 1990)
	100117	1	4L-620 V-Belt (motor to idler assembly) (for dryers mfd. prior to August 1, 1990)
2	100701	1	3/16" x 3/16" x 1" Key
3	101133	1	5/8" x 2-1/4" Motor Pulley (60 Hz Only)
	101130	1	5/8" x 2-1/2" Motor Pulley (50 Hz Only)
4	150501	4	5/16-18 x 3/4" Hex Head Machine Bolt
5	153002	4	5/16" Lock Washer
6	153001	4	5/16" Flat Washer
7	120200	1	3/8" x 90° Connector
8	100033*	1	3/4 HP 120/230v 1ø 60 Hz T.E.F.C. Motor (56Z frame)
	100034	1	3/4 HP 230v 1ø 50 Hz T.E.F.C. Motor (56Z frame)
	100007*	1	1/2 HP 208/230/380/460v 3ø 50/60 Hz T.E.F.C. Motor (56Z frame)
9	152004	4	5/16-18 Hex Nut
10	153002	4	5/16" Lock Washer
11	153001	4	5/16" Flat Washer
12	117604	4	Neoprene Sponge Tape (sold by the foot)
13	154000	4	5/16-18 Tinnerman Nut
14	800906	1	Non-Reversing Motor Mount ONLY (56Z frame)
	803772*	1	3/4 HP 120/230v 1ø 60 Hz Non-Reversing T.E.F.C. Motor Mount Assembly Complete (includes illus. nos. 2 through 8 and 12 through 19)
	803778	1	3/4 HP 230v 1ø 50 Hz Non-Reversing T.E.F.C. Motor Mount Assembly Complete (includes illus. nos. 2 through 8 and 12 through 19)
	803771*	1	1/2 HP 208/230/380/460v 3ø 60 Hz Non-Reversing T.E.F.C. Motor Mount Assembly Complete (includes illus. nos. 2 through 8 and 12 through 19)
	803776*	1	1/2 HP 208/230/380/460v 3ø 50 Hz Non-Reversing T.E.F.C. Motor Mount Assembly Complete (includes illus. nos. 2 through 8 and 12 through 19)
15	153050	**	1/2" S.A.E. Flat Washer
16	100604	1	12-1/2" Impellor (fan/blower) with 1/2" Bore
17	100702	1	1/8" x 1/8" x 1-1/2" Key
	100723	1	1/8" x 1/8" x 1-3/8" Key (for models with Part No. 100034 T.E.F.C. motor Only)
18	153050	**	1/2" S.A.E. Flat Washer
19	152006	2	1/2-20 Left Hand Jam Nut

* Specify voltage when ordering.

** As required.

IMPORTANT: Check part number on motor data label to verify correct motor.



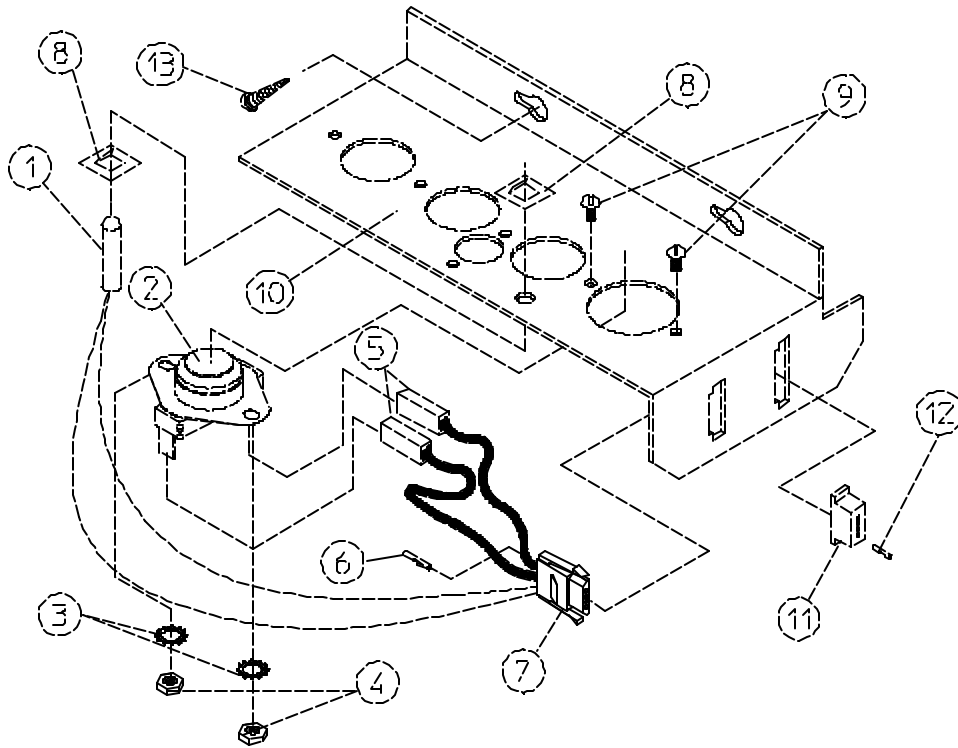
MAN0250

<u>Illus. No.</u>	<u>Part No.</u>	<u>Qty.</u>	<u>Description</u>
1	100114	1	4L-630 V-Belt (motor to idler assembly) (for dryers mfd. as of August 1, 1990)
	100117	1	4L-620 V-Belt (motor to idler assembly) (for dryers mfd. prior to August 1, 1990)
2	100701	1	3/16" x 3/16" x 1" Key
3	101133	1	5/8" x 2-1/4" Motor Pulley (60 Hz Only)
	101130	1	5/8" x 2-1/2" Motor Pulley (50 Hz Only)
4	120200	1	3/8" x 90° Connector
5	100007*	1	1/2 HP 208/230/380/460v 3ø 50/60 Hz T.E.F.C. Motor (56Z frame)
6	150501	4	5/16-18 x 3/4" Hex Head Machine Bolt
7	153002	4	5/16" Lock Washer
8	153001	4	5/16" Flat Washer
9	100004*	1	1/2 HP 120/230v 1ø 60 Hz T.E.F.C. Motor (56Z frame)
	100035	1	1/2 HP 230v 1ø 50 Hz T.E.F.C. Motor (56Z frame)
10	120200	1	3/8" x 90° Connector
11	150501	4	5/16-18 x 3/4" Hex Head Machine Bolt
12	153002	4	5/16" Lock Washer
13	153001	4	5/16" Flat Washer
14	154000	4	5/16-18 Tinnerman Nut
15	152004	4	5/16-18 Hex Nut
16	153002	4	5/16" Lock Washer
17	153001	4	5/16" Flat Washer
18	800912	1	Reversing Motor Mount ONLY (56Z frame)
	803870*	1	Reversing T.E.F.C. Motor Mount Assembly Complete - 60 Hz ONLY (includes illus. nos. 2 through 14 and 18 through 24)
	803941	1	Reversing T.E.F.C. Motor Mount Assembly Complete - 50 Hz ONLY (includes illus. nos. 2 through 14 and 18 through 24)
19	117604	4	Neoprene Sponge Tape (sold by the foot)
20	153050	**	1/2" S.A.E. Flat Washer
21	100702	1	1/8" x 1/8" x 1-1/2" Key
22	100604	1	12-1/2" Impellor (fan/blower) with 1/2" Bore
23	153050	**	1/2" S.A.E. Flat Washer
24	152006	2	1/2-20 Left Hand Jam Nut

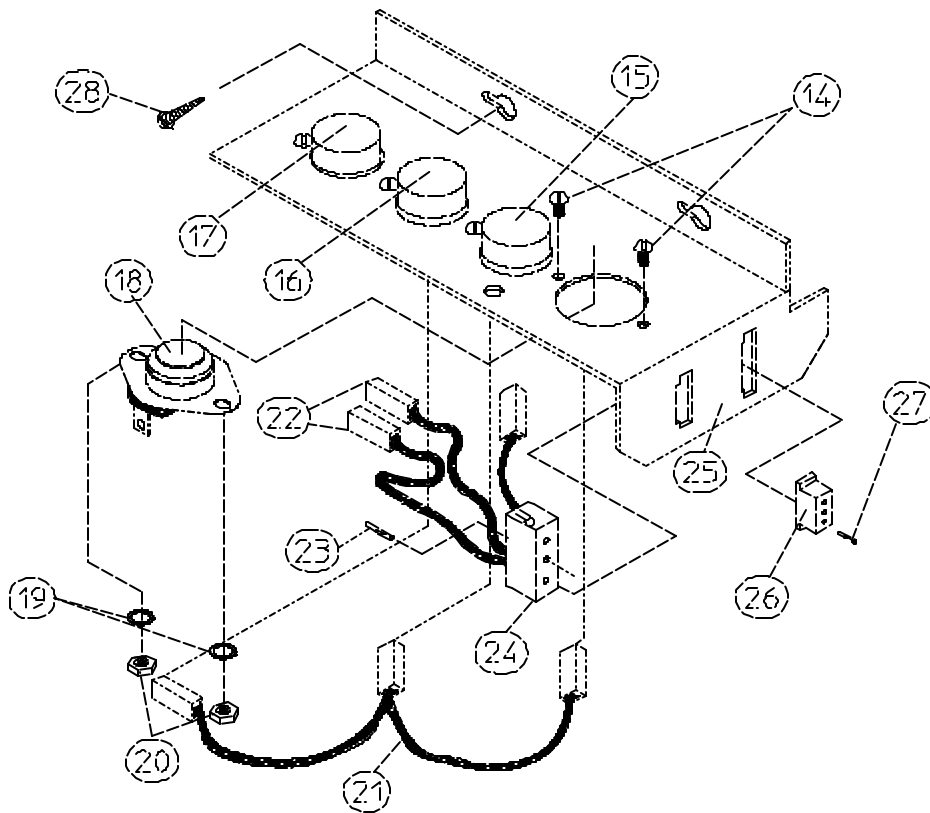
* Specify voltage when ordering.

** As required.

IMPORTANT: Check part number on motor data label to verify correct motor.



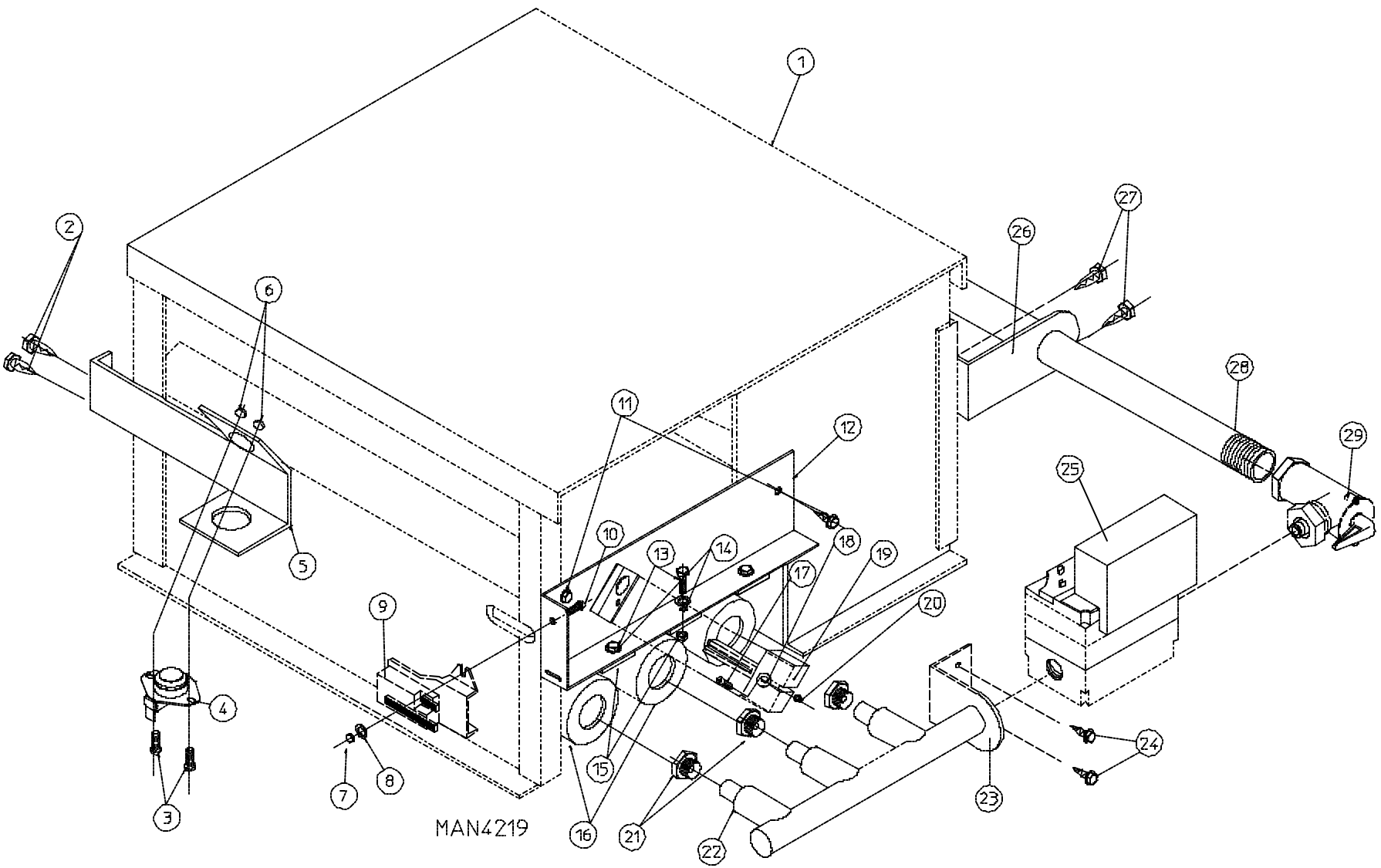
Microprocessor Sensor Bracket Assembly



Noncomputer Sensor Bracket Assembly

<u>Illus. No.</u>	<u>Part No.</u>	<u>Qty.</u>	<u>Description</u>
1	880251	1	1/4" Temperature Sensor Probe Assembly (includes illus. nos. 1 and 5 through 8)
2	130103	1	225° Large Automatic Reset Thermostat
3	153010	2	#6 Star Washer
4	152000	2	#6-32 Hex Nut
5	121028	2	Insulated Terminal ONLY
6	122701	4	Socket Terminal ONLY
7	122605	1	4-Pin Socket Connector ONLY
8	154007	2	1/4" Tinnerman Push-on Fastener
9	150000	2	#6-32 x 1/4" Round Head Machine Screw
10	801425	1	Microprocessor Sensor Bracket Assembly Complete (includes illus. nos. 1 through 10)
	305007	1	Universal Sensor Bracket ONLY
11	122604	1	4-Pin Connector ONLY
12	122700	4	Pin Terminal ONLY
13	150301	2	#8-18 x 7/16" Phillips Pan Head TEK Screw
14	150000	5	#6-32 x 1/4" Round Head Machine Screw
15	130109	1	140° Large Thermostat
16	130107	1	160° Large Thermostat
17	130103	1	225° Large Automatic Reset Thermostat
18	130101	1	180° Large Thermostat
19	153010	5	#6 Star Washer
20	152000	5	#6-32 Hex Nut
21	840065	1	Sensor Jumper ONLY
22	121028	8	Insulated Terminal ONLY
23	122701	4	Socket Terminal ONLY
24	122605	1	4-Pin Socket Connector ONLY
	840062	1	Sensor (4) Bracket Harness Assembly (includes illus. nos. 22, 23, and 24)
25	801411	1	NonComputer Sensor (4) Bracket Assembly Complete (includes illus. nos. 14 through 25)
	305007	1	Universal Sensor Bracket ONLY
26	122604		4-Pin Connector ONLY
27	122700	4	Pin Terminal ONLY
	122801	1	Pin/Socket Extraction Tool
28	150301	2	#8-18 x 7/16" Phillips Pan Head TEK Screw

Standard (Non-Hi/Lo) Burner Assembly
for Global® Ignition Models ONLY



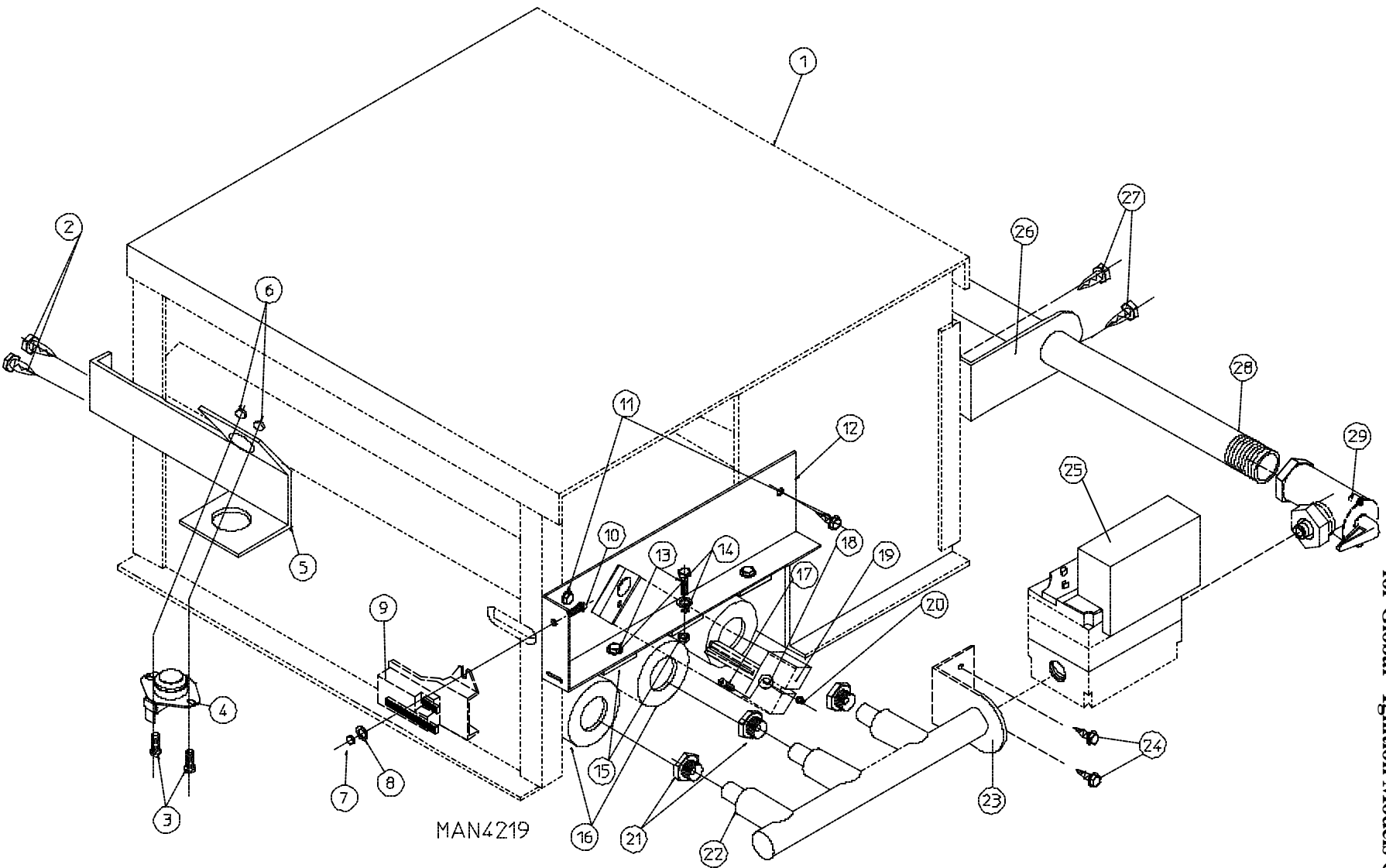
for Global® Ignition Models ONLY

<u>Illus. No.</u>	<u>Part No.</u>	<u>Qty.</u>	<u>Description</u>
1	-----*	1	Standard (non-hi/lo) Burner Assembly Complete (includes illus. nos. 1 through 20 and 22 through 29) Refer to Global® Burner Assembly Listing on page 56
	804005	1	Non-Heat Reclaimer Burner Box ONLY
	804008	1	Heat Reclaimer Burner Box ONLY
2	150309	2	#10-16 x 1/2" Hex Head TEK Crimptite Screw
3	150001	2	#6-32 x 1/2" Phillips Round Head Machine Screw
4	130401	1	330° Hi-Limit ONLY
5	319704	1	Hi-Limit Mounting Bracket
6	151000	2	#6-32 Pal Nut
7	152001	1	#8-32 Hex Nut
8	153012	1	#8 Star Washer
9	130500	1	IR Sensor ONLY
10	150108	1	#8-32 x 1/2" Phillips Pan Head Machine Screw
11	150309	2	#10-16 x 1/2" Hex Head TEK Crimptite Screw
12	802706	1	IR/Global® Mounting Bracket (for non-heat reclaimer models Only)
	802705	1	IR/Global® Mounting Bracket (for heat reclaimer models Only)
13	150108	2 or 3	#8-32 x 1/2" Phillips Pan Head Machine Screw
14	153000	2 or 3	#8 Steel Burr
15	151001	2 or 3	#8-32 Pal Nut
16	141105	2 or 3	Large Tube Burner
17	150002	1	6-32 x 1" Phillips Round Head Machine Screw
18	153017	1	#6 Steel Burr
19	128910	1	Global® ONLY
20	151000	1	#6-32 Pal Nut
21**	-----	2 or 3	Burner Orifice (refer to Global® Burner Orifice Listing on page 56)
22	141203	1	1/2" (3-port) Manifold (for non-heat reclaimer models Only)
	141205	1	1/2" (2-port) Manifold (for heat reclaimer models Only)
23	318700	1	Pipe Bracket (bent)
24	150309	2	#10-16 x 1/2" Hex Head TEK Crimptite Screw
25	140005	1	1/2" Global® (natural gas) Gas Valve
	140411	1	1/2" Valve Liquid Propane (L.P.) Conversion Kit
26	318700	2	Pipe Bracket (bent)
27	150309	4	#10-16 x 1/2" Hex Head TEK Crimptite Screw
28	142809	1	1/2" x 29-1/8" Pipe
29	881367	1	1/2" Union Shut Off with Tail Piece
---	-----**	1	Liquid Propane L.P.) Conversion Kit (refer to Global® L.P. Conversion Kit Listing on page 56)
---	410001	1	1/2" Allen Wrench

* Burner orifices *are not included* and **must be** ordered separately.

** Consult factory for elevations over 2,000 feet.

Hi/Lo Computerized Burner Assembly
for Global® Ignition Models ONLY

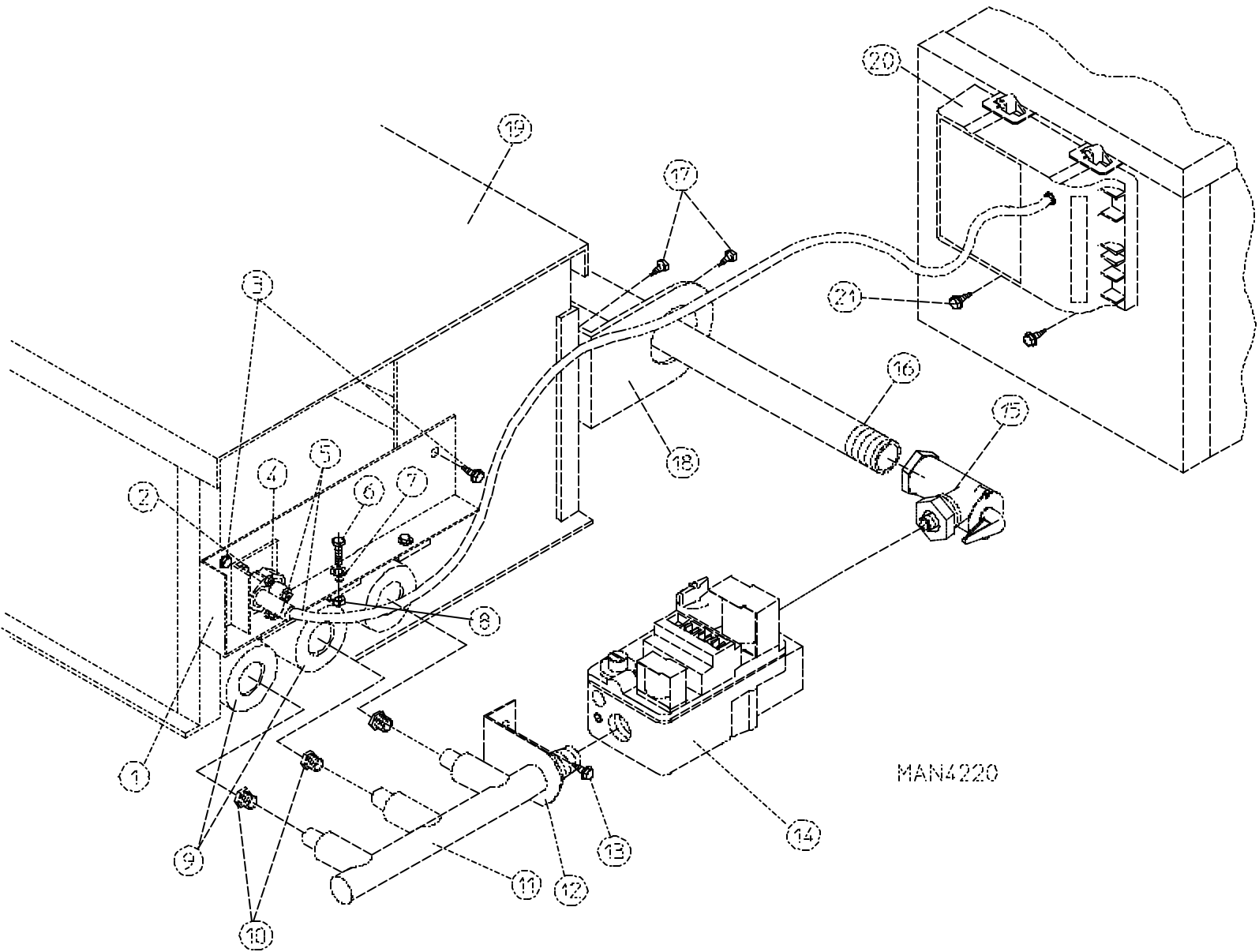


for Globar® Ignition Models ONLY

<u>Illus. No.</u>	<u>Part No.</u>	<u>Qty.</u>	<u>Description</u>
1	-----*	1	Standard (hi/lo) Burner Assembly Complete (includes illus. nos. 1 through 20 and 22 through 29) Refer to Globar® Burner Assembly Listing on page 56
	804005	1	Non-Heat Reclaimer Burner Box ONLY
	804008	1	Heat Reclaimer Burner Box ONLY
2	150309	2	#10-16 x 1/2" Hex Head TEK Crimptite Screw
3	150001	2	#6-32 x 1/2" Phillips Round Head Machine Screw
4	130401	1	330° Hi-Limit ONLY
5	319704	1	Hi-Limit Mounting Bracket
6	151000	2	#6-32 Pal Nut
7	152001	1	#8-32 Hex Nut
8	153012	1	#8 Star Washer
9	130500	1	IR Sensor ONLY
10	150108	1	#8-32 x 1/2" Phillips Pan Head Machine Screw
11	150309	2	#10-16 x 1/2" Hex Head TEK Crimptite Screw
12	802706	1	IR/Globar® Mounting Bracket (for non-heat reclaimer models Only)
	802705	1	IR/Globar® Mounting Bracket (for heat reclaimer models Only)
13	150108	2 or 3	#8-32 x 1/2" Phillips Pan Head Machine Screw
14	153000	2 or 3	#8 Steel Burr
15	151001	2 or 3	#8-32 Pal Nut
16	141105	2 or 3	Large Tube Burner
17	150002	1	6-32 x 1" Phillips Round Head Machine Screw
18	153017	1	#6 Steel Burr
19	128910	1	Globar® ONLY
20	151000	1	#6-32 Pal Nut
21**	-----	2 or 3	Burner Orifice (refer to Globar® Burner Orifice Listing on page 56)
22	141203	1	1/2" (3-port) Manifold (for non-heat reclaimer models Only)
	141205	1	1/2" (2-port) Manifold (for heat reclaimer models Only)
23	318700	1	Pipe Bracket (bent)
24	150309	2	#10-16 x 1/2" Hex Head TEK Crimptite Screw
25	140010	1	1/2" Hi/Lo (natural gas) Gas Valve
	140411	1	1/2" Valve Liquid Propane (L.P.) Conversion Kit
26	318700	2	Pipe Bracket (bent)
27	150309	4	#10-16 x 1/2" Hex Head TEK Crimptite Screw
28	142809	1	1/2" x 29-1/8" Pipe
29	881367	1	1/2" Union Shut Off with Tail Piece
---	-----**	1	Liquid Propane (L.P.) Conversion Kit (refer to Globar® Liquid Propane (L.P.) Conversion Kit Listing on page 56)
---	410001	1	1/2" Allen Wrench

* Burner orifices *are not included* and **must be** ordered separately.

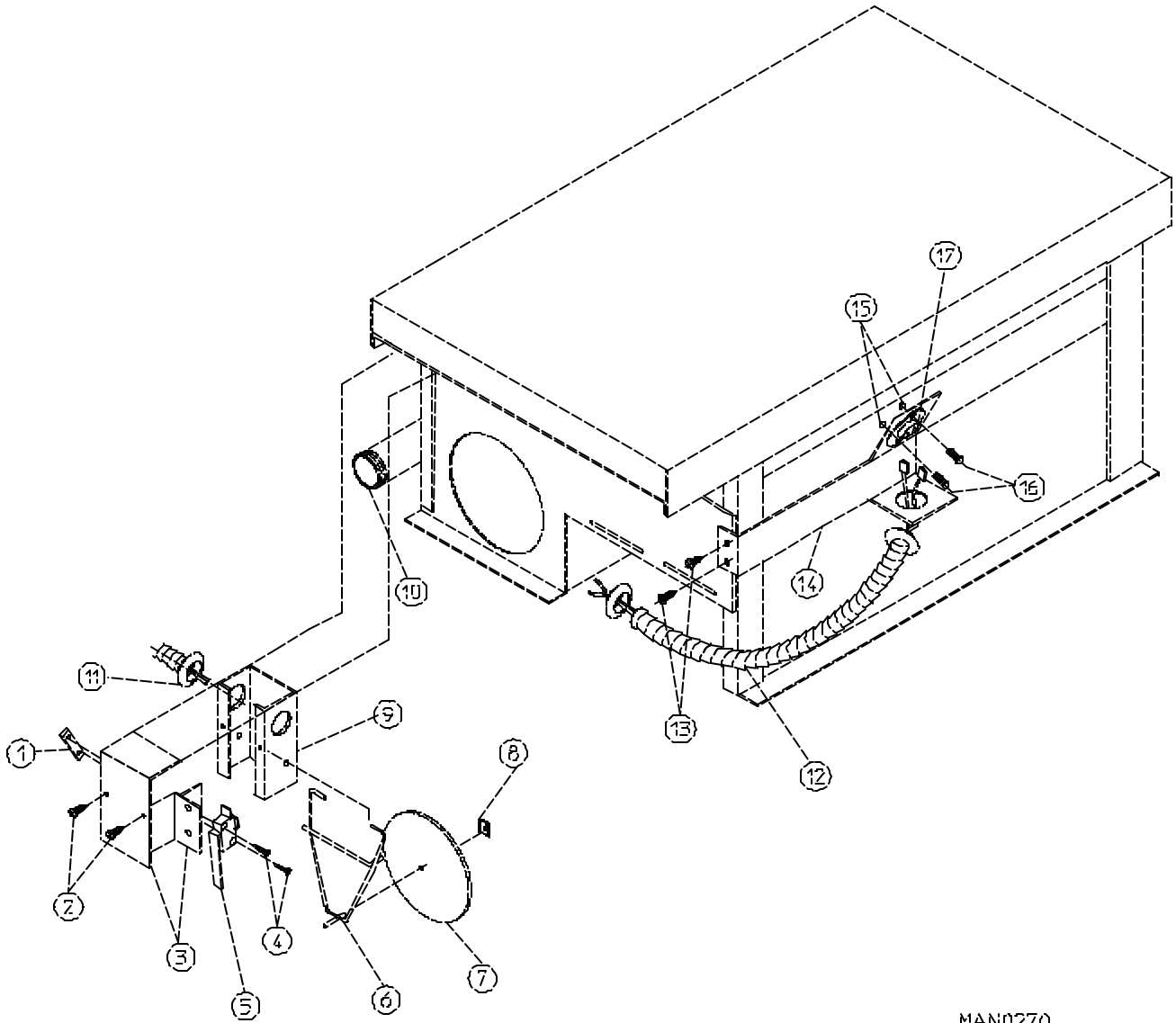
** Consult factory for elevations over 2,000 feet.



<u>Illus. No.</u>	<u>Part No.</u>	<u>Qty.</u>	<u>Description</u>
1	318104	1	Direct Spark Ignition (DSI) Burner Shield (3-Tube) For Heat Reclaimer Models ONLY
	318030	1	Direct Spark Ignition (DSI) Burner Shield (2-Tube) For Non-Heat Reclaimer Models ONLY
2	150300	2	#10 x 1/2" Hex Washer TEK Screw
3	150309	2	#10-16 x 1/2" Hex Head TEK Crimptite Screw
4	128915	1	Direct Spark Ignition (DSI) Ignitor/Flame-Probe Assembly
	880134	1	Ignitor/Flame-Probe Kit Assembly (includes illus. nos. 4 and 6)
5	880330	1	High Voltage (HV) Wire and Connector Assembly
6	150103	2 or 3	#8-32 x 1/2" Phillips Pan Head Machine Screw
7	153000	2 or 3	#8 Steel Burr
8	151001	2 or 3	#8-32 Pal Nut
9	141105	2 or 3	Large Tube Burner ONLY
10	-----*	2 or 3	Burner Orifice (refer to Direct Spark Ignition (DSI) Burner Orifice Listing on page 57)
11	141232	1	1/2" Direct Spark Ignition (DSI) Manifold (3-Port) For Non-Heat Reclaimer Models ONLY
	141230	1	1/2" Direct Spark Ignition (DSI) Manifold (2-Port) For Heat Reclaimer Models ONLY
12	318700	1	Pipe Bracket (bent)
13	150300	2	#10 x 1/2" Hex Washer TEK Screw
14	128927	1	1/2" 24 VAC Redundant (natural gas) Gas Valve
	140411	1	1/2" Valve Liquid Propane (L.P.) Conversion Kit
15	881367	1	1/2" Union Shut Off with Tail Piece
16	142809	1	1/2" x 29-1/8" Pipe
17	150309	4	#10-16 x 1/2" Hex Head TEK Crimptite Screw
18	318700	2	Pipe Bracket (bent)
19	850852	1	Non-Heat Reclaimer Burner Box ONLY
	850863	1	Heat Reclaimer Burner Box ONLY
	-----*	1	Direct Spark Ignition (DSI) Burner Assembly (refer to Direct Spark Ignition (DSI) Burner Assembly Specifications on page 57)
20	880815	1	ADC Direct Spark Ignition (DSI) Module ONLY - 50/60 Hz
21	150300	4	#10-16 x 1/2" Hex Washer TEK Screw
---	-----**	1	Liquid Propane (L.P.) Conversion Kit (refer to Direct Spark Ignition (DSI) Liquid Propane (L.P.) Conversion Kit Listing on page 57)
---	410001	1	1/2" Allen Wrench

* Consult factory for elevations over 2,000 feet.

** Burner orifices *are not included* and **must be** ordered separately.

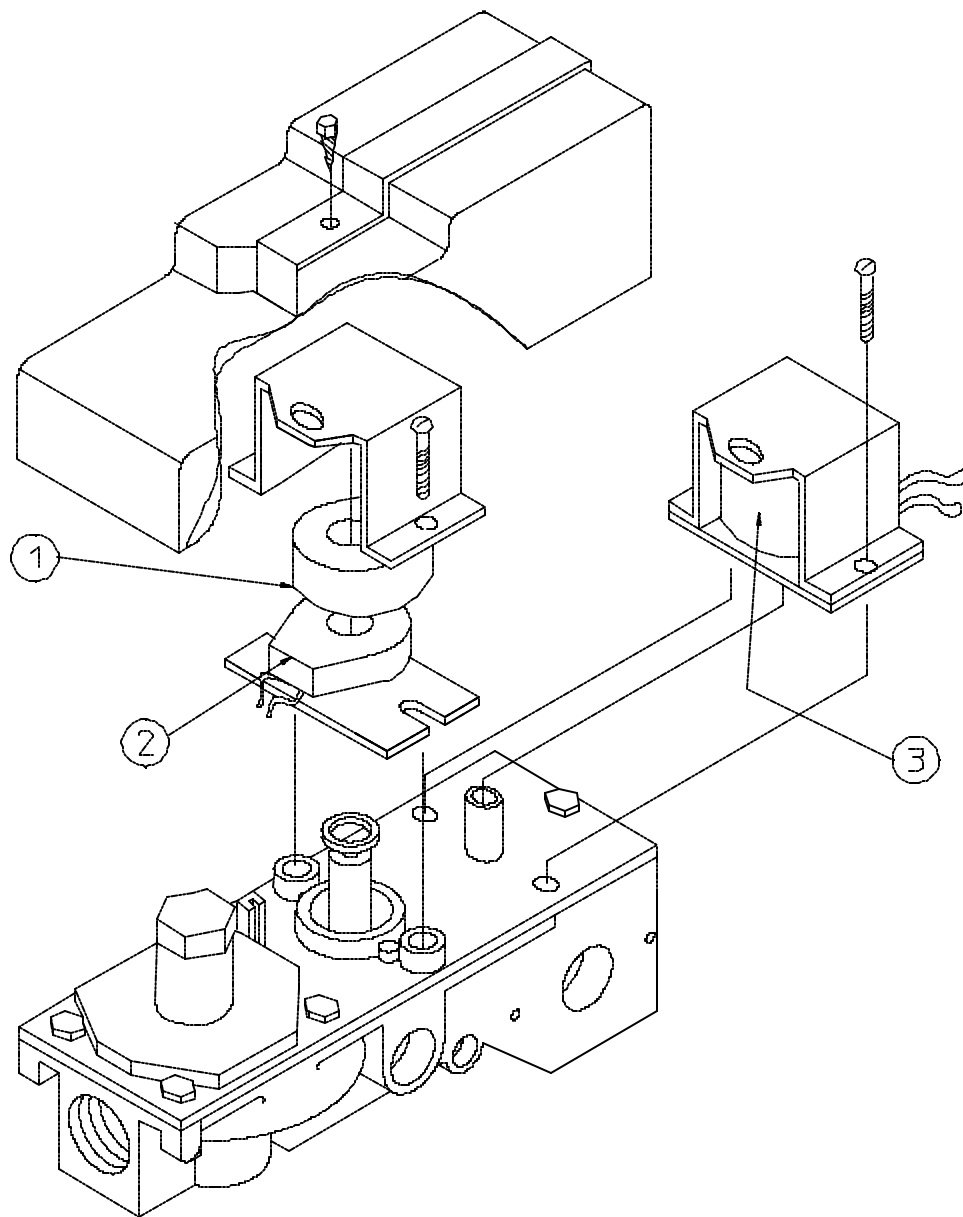


MAN0270

for Globar® and Direct Spark Ignition (DSI) Models ONLY

<u>Illus. No.</u>	<u>Part No.</u>	<u>Qty.</u>	<u>Description</u>
1	154004	1	Twin Speed Nut
2	150309	2	#10-16 x 1/2" Hex Head TEK Crimptite Screw
3	802799	1	Sail Switch Box Cover and Bracket ONLY
4	150303	2	#4 x 3/4" Pan Head "A" Machine Screw
5	122200	1	Sail Switch ONLY
6	105500	1	Sail Switch Actuator Rod
7	319202	1	Sail Switch Damper (flat)
8	154002	1	1/8" Push-On Fastener
9	802800	1	Sail Switch Box with Cover and Bracket ONLY
	802801	1	Sail Switch Box Assembly Complete (includes illus. nos. 1 through 9)
10	142809	1	1/2" x 29-1/8" Pipe
11	840055	1	Sail Switch Harness
12	830000	1	Hi-Limit Harness
13	150309	2	#10-16 x 1/2" Hex Head TEK Crimptite Screw
14	319704	1	Hi-Limit Mounting Bracket
15	151000	2	#6-32 Pal Nut
16	151001	2	#6-32 x 1/2" Phillips Round Head Machine Screw
17	130401	1	330° Hi-Limit ONLY
18*	150108	1	#8-32 x 1/2" Phillips Pan Head Machine Screw
19*	153012	1	#8 Star Washer
20*	152001	1	#8-32 Hex Nut
21*	130500	1	IR Sensor ONLY

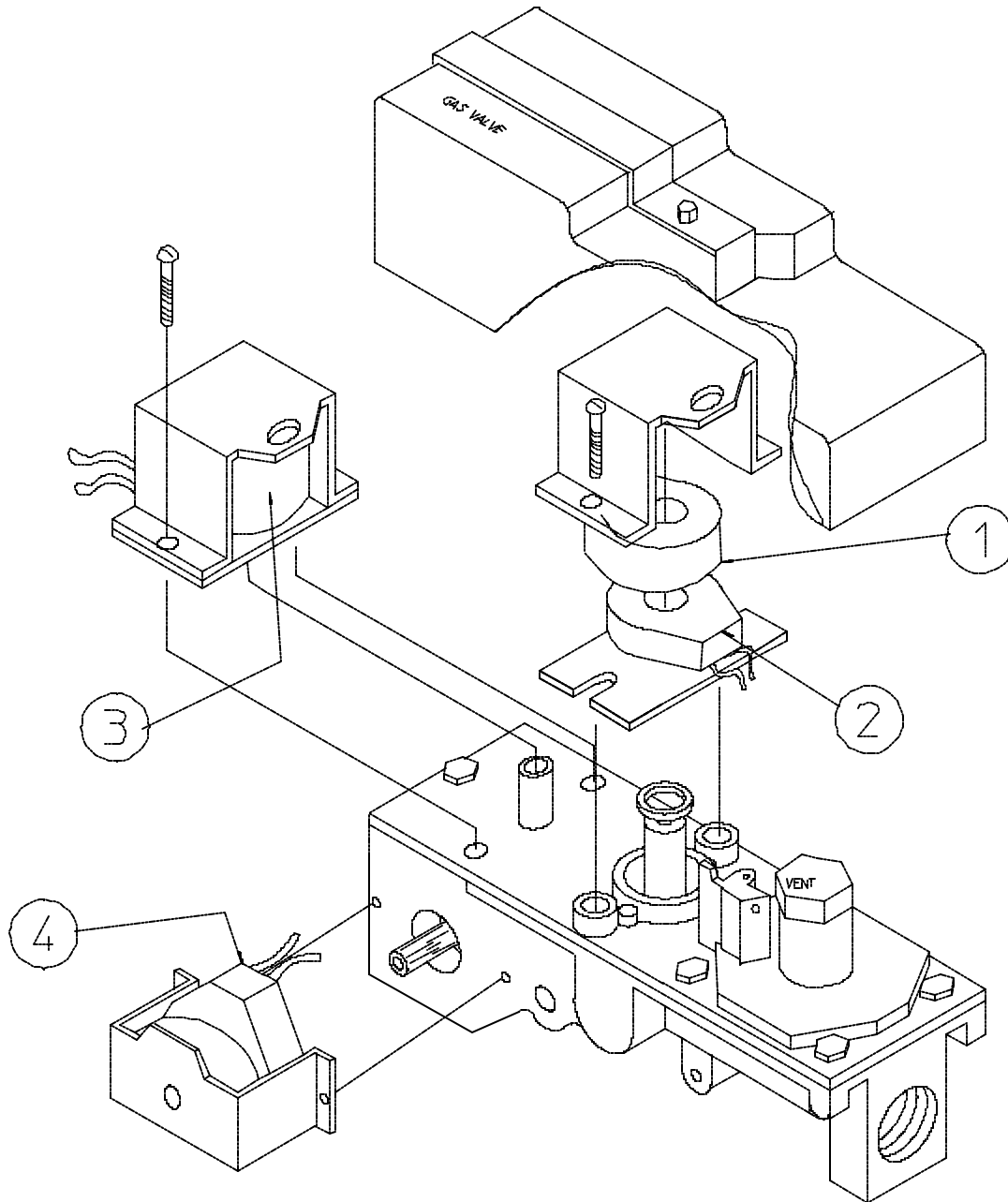
* For Globar® ignition models ONLY. Items 18 through 21 are not illustrated.



MAN0185

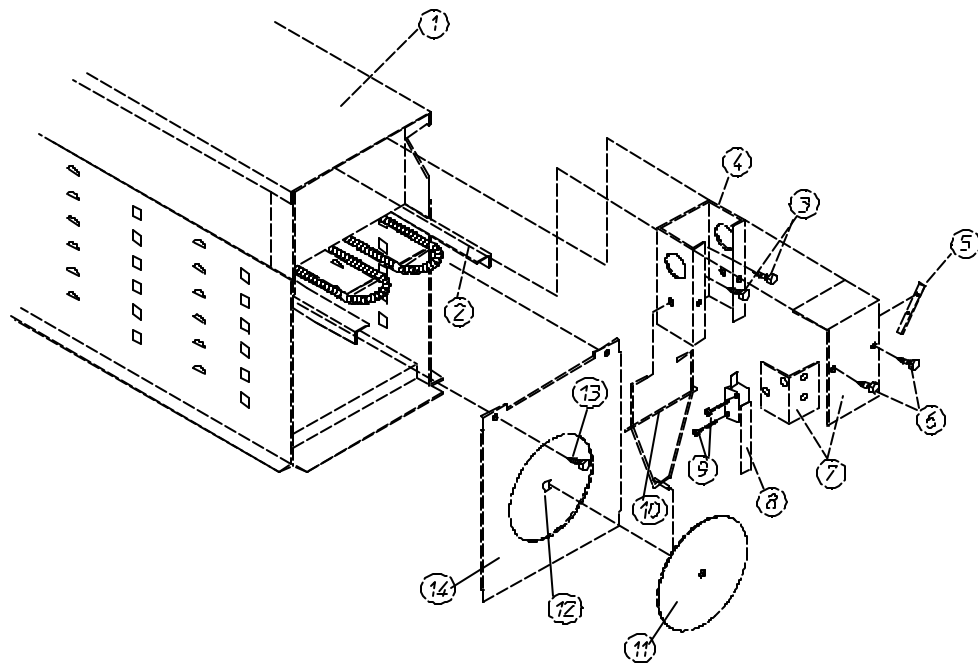
<u>Illus. No.</u>	<u>Part No.</u>	<u>Qty.</u>	<u>Description</u>
1	140111	1	Holding Coil
2	140112	1	Booster Coil
3	140110	1	Secondary Coil

for Globar® Ignition Models ONLY



MAN0096

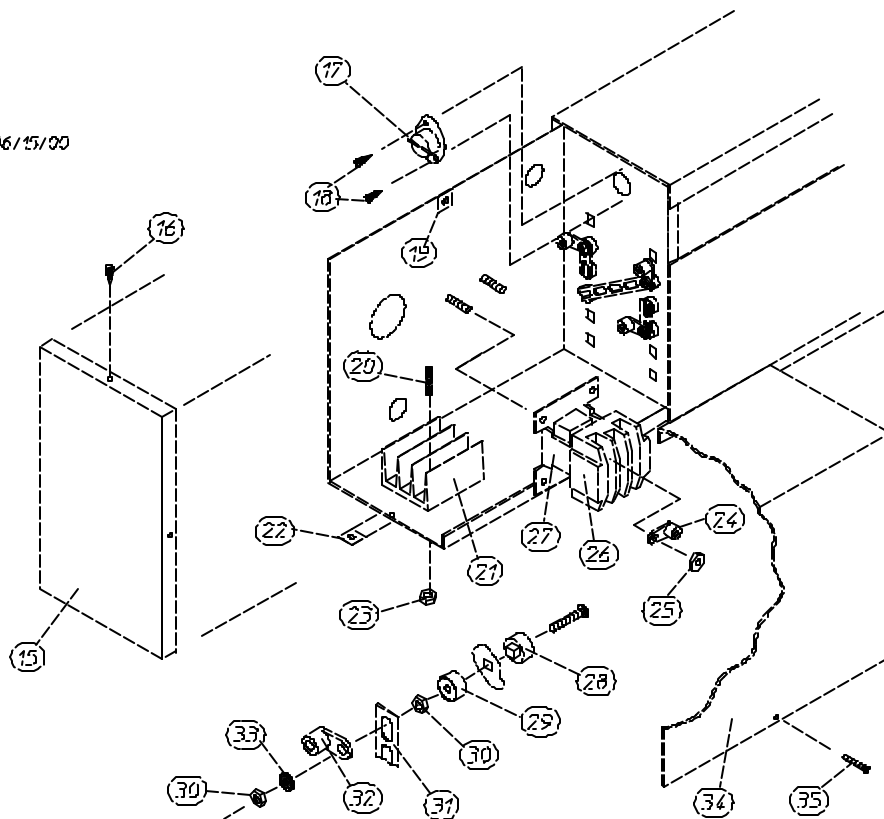
<u>Illus. No.</u>	<u>Part No.</u>	<u>Qty.</u>	<u>Description</u>
1	140116	1	Holding Coil
2	140115	1	Booster Coil
3	140117	1	Secondary Coil
4	140118	1	Hi/Lo Coil



ELECTRIC OVEN (FRONT VIEW)

MAN5324

PAR 06/15/00



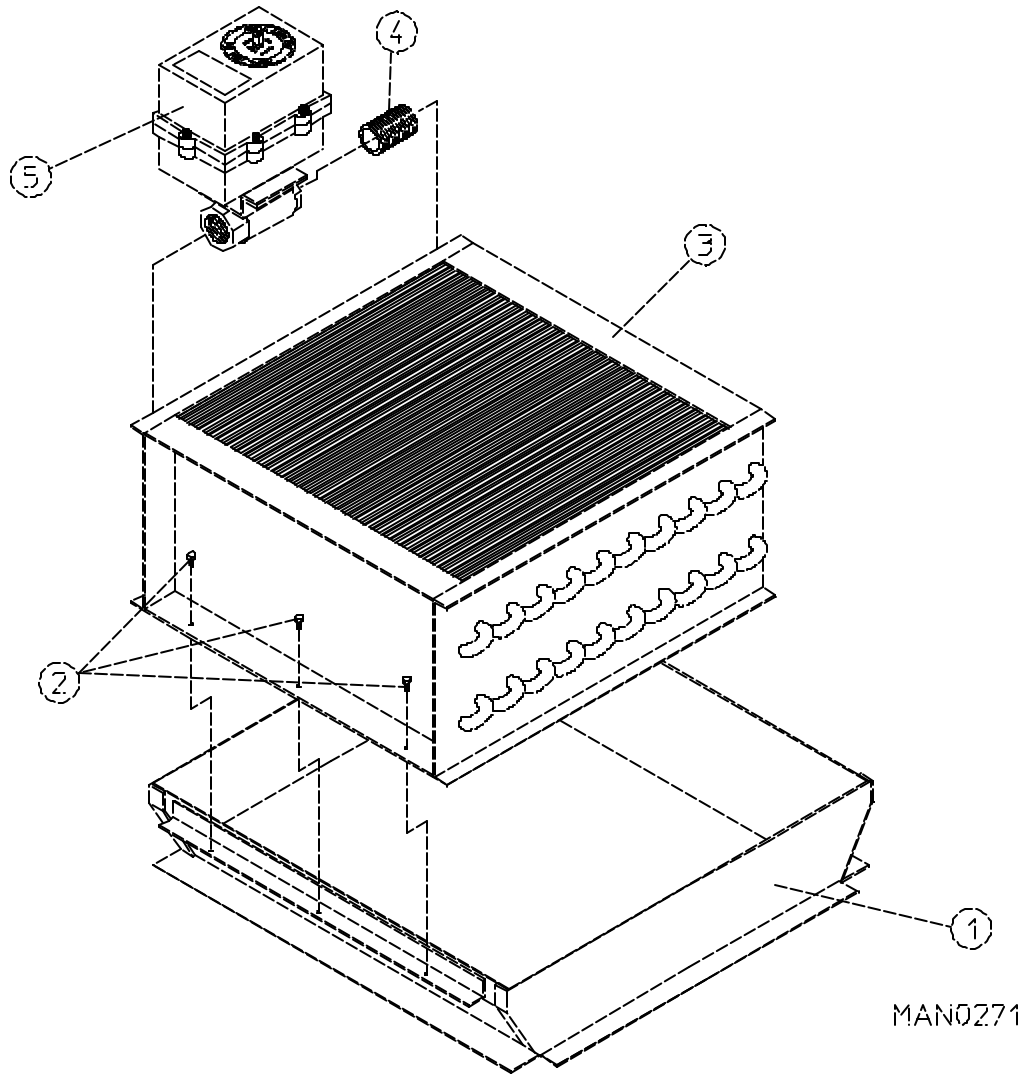
ELECTRIC OVEN (REAR VIEW)

<u>Illus. No.</u>	<u>Part No.</u>	<u>Qty.</u>	<u>Description</u>
1	803001	1	Large Electric Oven Box ONLY
	-----*	1	Electric Oven Assembly Complete
2	-----*	-	Electric Element
3	150300	2	#10-16 x 1/2" Hex Washer TEK Screw
4	802800	1	Sail Switch Box with Bracket and Cover ONLY
	802801	1	Sail Switch Box Assembly Complete (includes illus. nos. 4 through 12)
5	154004	1	Twin Speed Nut
6	150309	2	#10-16 x 1/2" Hex Head TEK Crimptite Screw
7	802799	1	Sail Switch Box Cover and Bracket ONLY
8	122200	1	Sail Switch ONLY
9	150303	2	#4 x 3/4" Pan Head "A" Machine Screw
10	105500	1	Sail Switch Actuator Rod
11	319202	1	Sail Switch Damper (flat)
12	154002	1	1/8" Push-on Fastener
13	150300	2	#10-16 x 1/2" Hex Washer TEK Screw
14	803100	1	Electric Oven Front Cover ONLY
15	321000	1	Large Relay Box Cover ONLY
16	150402	2	#10-24 x 5/8" Slotted Truss Head Machine Screw
17	130400	1	290° Hi-Limit ONLY
18	150300	2	#10-16 x 1/2" Hex Washer TEK Screw
19	154001	2	#10-24 Speed Nut
20	150103	2	#8-32 x 3/4" Phillips Round Head Machine Screw
21	120704*	-	Terminal Block
22	154001	2	#10-24 Speed Nut
23	152001	2	#8-32 Hex Nut
24	121010	1	L-70 Ground Lug
25	152014	3	1/4-20 Free Spin Wash Nut
26	-----*	1	Oven Relay
27	-----*	1	Oven Relay Replacement Coil
28	120081	-	Internal Ceramic Insulator (2 per element)
29	120080	-	External Ceramic Insulator (2 per element)
30	152008	-	#10-32 Hex Nut (4 per element)
31	121011*	-	Bus Bar
32	-----*	-	Terminal Lug
33	153009	-	#10 Star Washer (2 per element)
34	321301	1	Large Electric Oven Right Side Cover ONLY
35	150402	2	#10-24 x 5/8" Slotted Truss Head Machine Screw

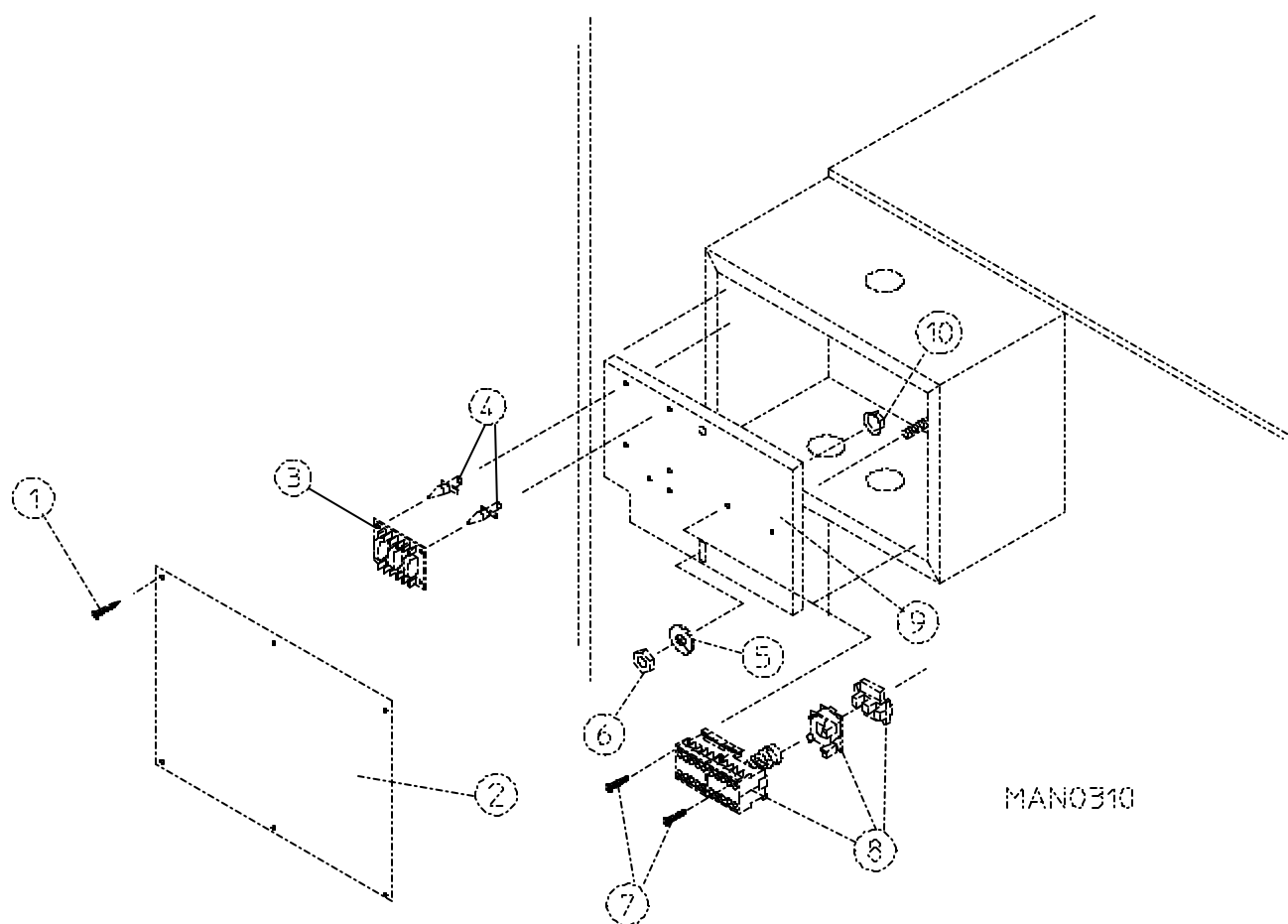
* Refer to **Electric Oven Component Application Chart** on **page 44**.

KW	VOLT	PHASE	WIRE	OVEN ASSY* PART NO.	ELEMENTS			OVEN WIRE			TERMINAL LUG		BUS BAR P/N 121011	T. BLOCK P/N 120704	OVEN RELAY		RELAY COIL PART NO.
					Qty.	Size	Part No.	Qty.	Size	Part No.	Qty.	Part No.			Cat. No.	Part No.	
30	208	3 ϕ	3	815105	6	5	120012	6	#6	133200	7	121010	1	1	DEAG	131305	131809
30	208	3 ϕ	4	815105	6	5	120012	6	#6	133200	7	121010	1	1	DEAF	131304	131808
30	230	3 ϕ	3	815305	6	5	120013	5	#8	133100	7	121010	1	1	CEAG	131303	131809
30	416	3 ϕ	3 or 4	815605	6	5	120012	3	#8	133100	4	121010	2	-	CEAG	131303	131809
30	460/480	3 ϕ	3 or 4	815705	6	5	120013	3	#8	133100	4	121010	2	-	BEAG	131311	131809
25	380	3 ϕ	3 or 4	815405	6	5	120012	3	#8	133100	4	121010	2	-	BEAG	131311	131809
24	208	3 ϕ	3	815107	6	4	120010	5	#8	133100	7	121010	1	1	CEAG	131303	131809
24	208	3 ϕ	4	815107	6	4	120010	5	#8	133100	7	121010	1	1	CEAF	131302	131808
24	230	3 ϕ	3	815307	6	4	120011	5	#10	133000	7	121010	1	1	BEAG	131311	131809
24	416	3 ϕ	3 or 4	815604	6	4	120010	3	#8	133100	4	121010	2	-	BEAG	131311	131809
24	460/480	3 ϕ	3 or 4	815704	6	4	120011	3	#10	133000	4	121010	2	-	BEAG	131311	131809
20	208	1 ϕ	2	815005	5	4	120010	2	#4	133300	2	121012	2	-	GEAG	131312	131811
20	230	1 ϕ	2	815205	5	4	120011	2	#4	133300	2	121012	2	-	FEAG	131309	131811
20	380	3 ϕ	3 or 4	815404	6	4	120010	3	#10	133300	4	121010	2	-	BEAG	131311	131809

* Oven assembly complete *does not include* oven relay or terminal block. These items **must be** ordered separately. When ordering oven assembly complete, specify 3-wire or 4-wire when applicable, as well as if dryer has computer or noncomputer controls.

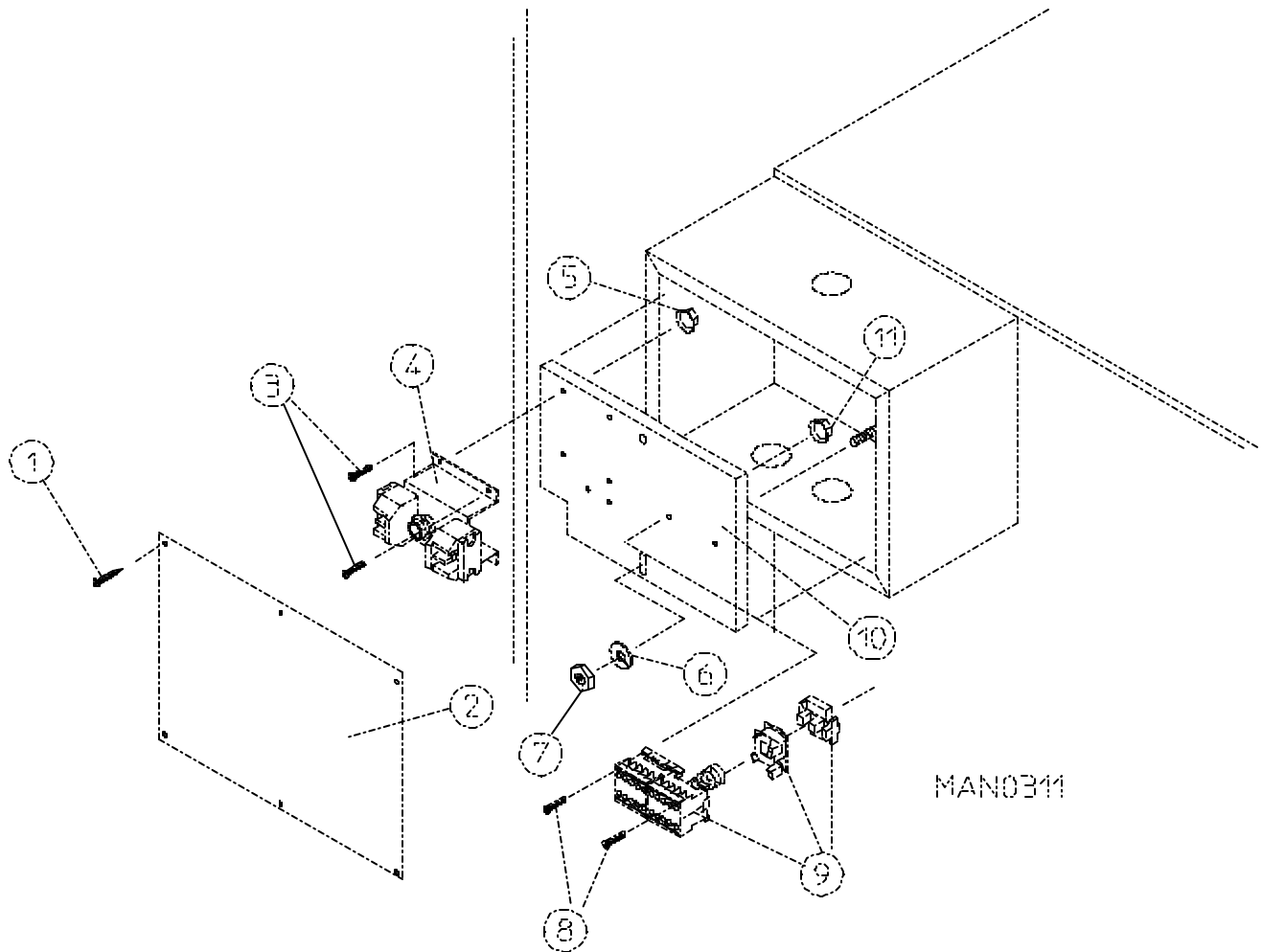


<u>Illus. No.</u>	<u>Part No.</u>	<u>Qty.</u>	<u>Description</u>
1	803500	1	Large Steam Rack (for models mfd. with high pressure Only)
	803501	1	Large Steam Rack (for models mfd. with low pressure Only)
2	150300	6	#10-16 x 1/2" Hex Washer TEK Screw
3	165002	1	Large Steam Coil (for models mfd. with high pressure Only)
	165003	1	Large Steam Coil (for models mfd. with low pressure Only)
4	142711	1	1" Closed Nipple (for models mfd. with high pressure Only)
	142713	1	1-1/4" Closed Nipple (for models mfd. with low pressure Only)
5	165107	1	1" Motorized Steam Valve (for models mfd. with high pressure Only)
	165102	1	1-1/4" Steam Valve - 120 Volt (for models mfd. with low pressure Only)
	165103	1	1-1/4" Steam Valve - 230 Volt (for models mfd. with low pressure Only)

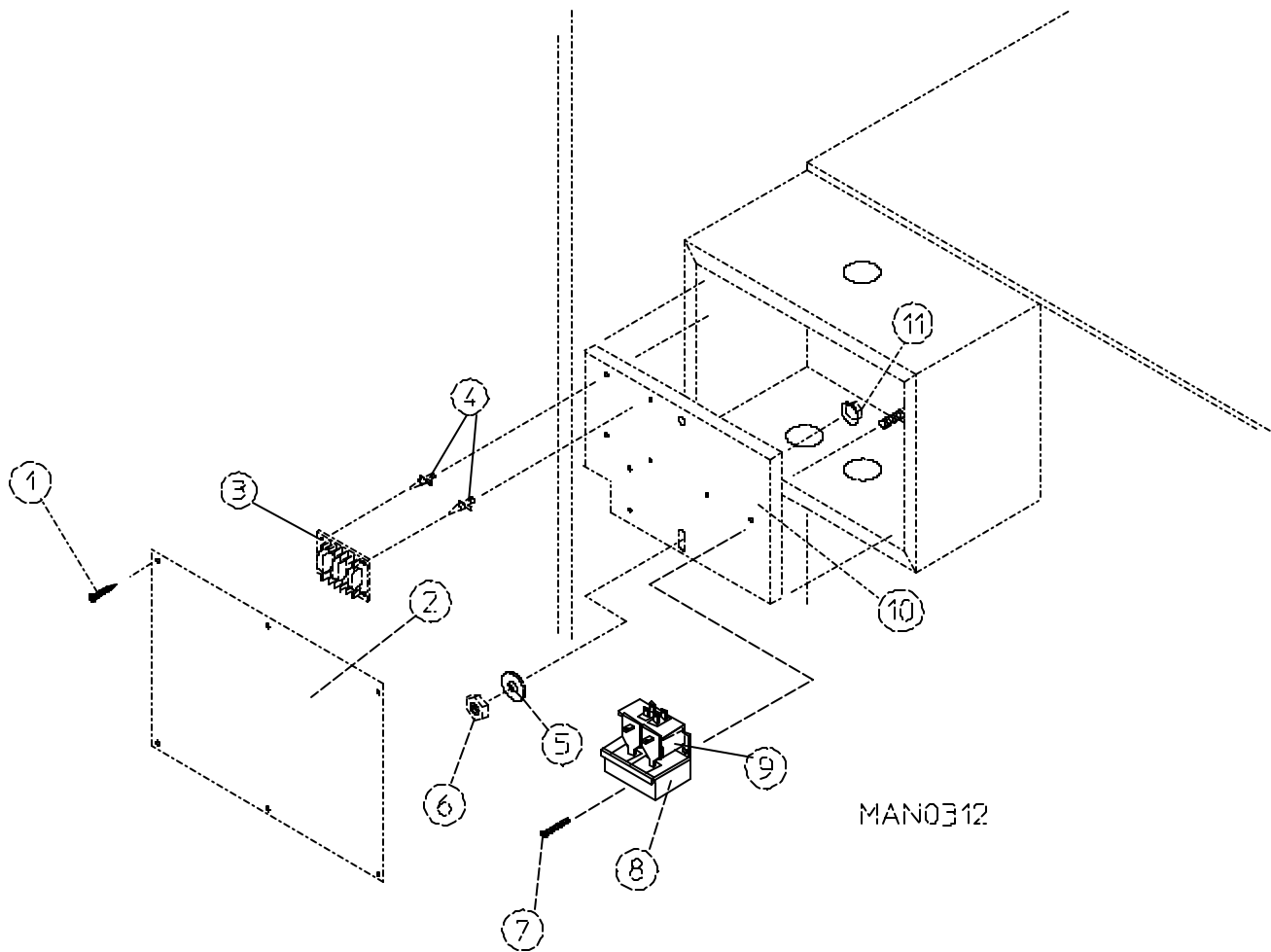


<u>Illus. No.</u>	<u>Part No.</u>	<u>Qty.</u>	<u>Description</u>
1	150301	6	#8-18 x 7/16" Phillips Pan Head TEK Screw
2	322808	1	Relay Box Cover Plate ONLY
3	137060	1	Arc Suppressor (A.S.) Board (3)
4	137013	4	Nylon Standoff
5	153002	2	5/16" Lock Washer
6	152004	2	5/16-18 Hex Nut
7	150108	4	#8-32 x 1/2" Phillips Pan Head Machine Screw
8	132426	1	Reversing Contactor (208/230/240 Volt - 50/60 Hz)
	132427	2	Reversing Contactor Replacement Coil (208/230/240 Volt - 50/60 Hz)
9	322807	1	Contactor Mounting Panel ONLY
10	151001	4	#8-32 Pal Nut

Telemecanique

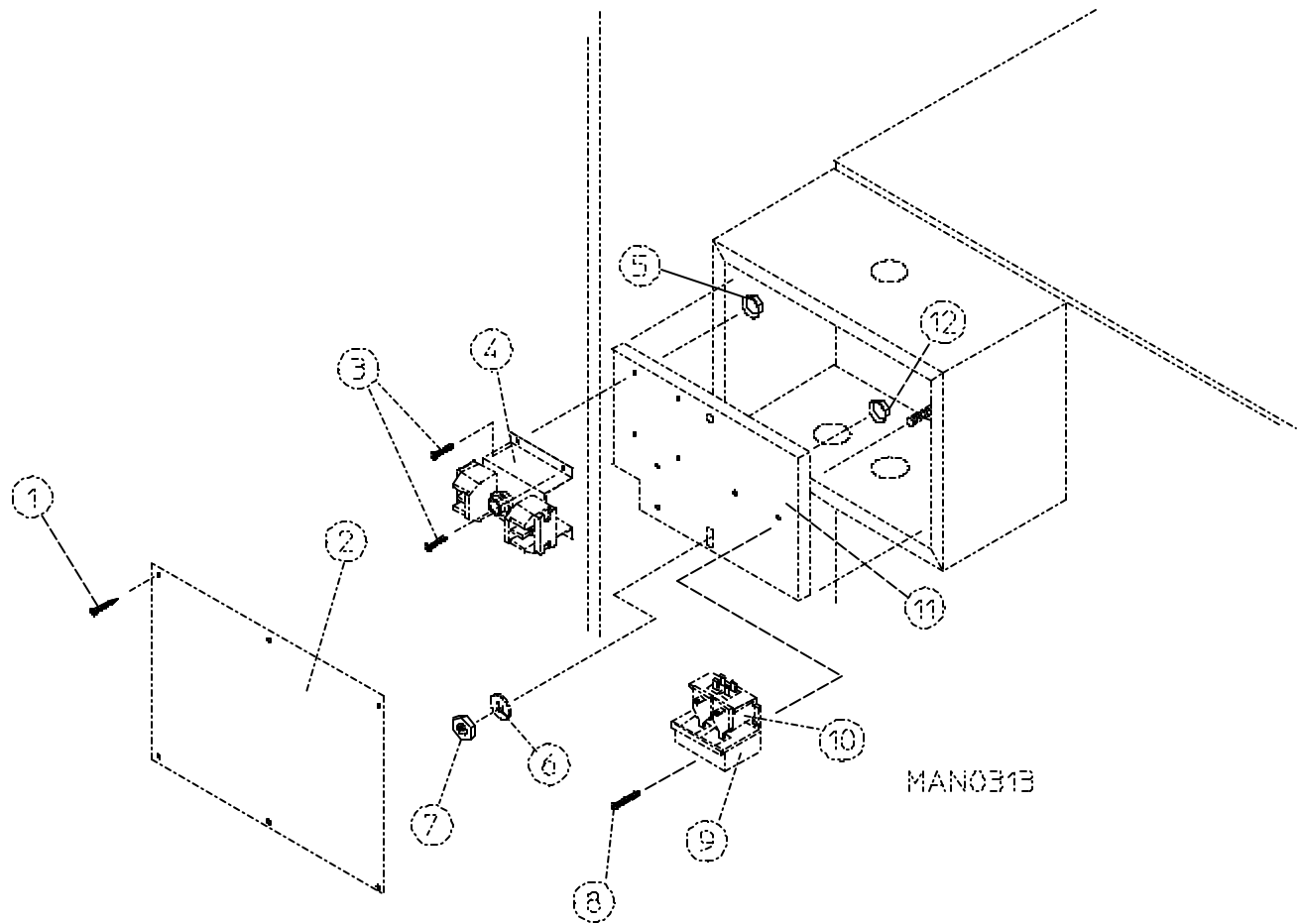


<u>Illus. No.</u>	<u>Part No.</u>	<u>Qty.</u>	<u>Description</u>
1	150301	6	#8-18 x 7/16" Phillips Pan Head TEK Screw
2	322808	1	Relay Box Cover Plate ONLY
3	150108	4	#8-32 x 1/2" Pan Head Machine Screw
4	132200	1	Reversing Timer - 60 Hz ONLY
	132202	1	Reversing Timer - 50 Hz ONLY
5	151001	2	#8-32 Pal Nut
6	153002	2	5/16" Lock Washer
7	152004	2	5/16-18 Hex Nut
8	150108	4	#8-32 x 1/2" Phillips Pan Head Machine Screw
9	132426	1	Reversing Contactor (208/230/240 Volt - 50/60 Hz)
	132427	2	Reversing Contactor Replacement Coil (208/230/240 Volt - 50/60 Hz)
10	322807	1	Contactur Mounting Panel ONLY
11	151001	4	#8-32 Pal Nut

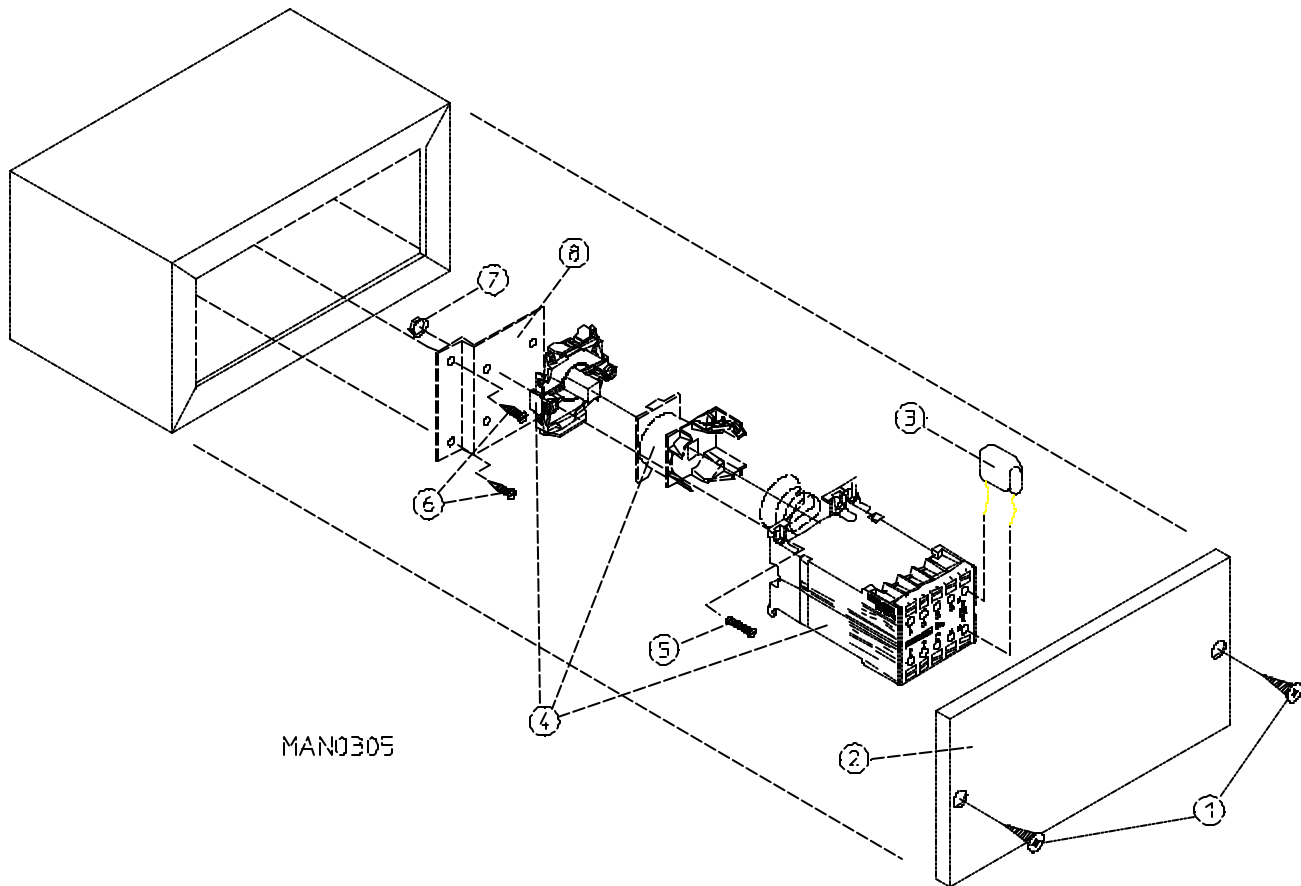


<u>Illus. No.</u>	<u>Part No.</u>	<u>Qty.</u>	<u>Description</u>
1	150301	6	#8-18 x 7/16" Phillips Pan Head TEK Screw
2	322808	1	Relay Box Cover Plate ONLY
3	137060	1	Arc Suppressor (A.S.) Board (3)
4	137013	4	Nylon Standoff
5	153002	2	5/16" Lock Washer
6	152004	2	5/16-18 Hex Nut
7	150108	4	#8-32 x 1/2" Pan Head Machine Screw
8	132404	1	Reversing Contactor - 208 Volt
	132401	1	Reversing Contactor - 220/230 Volt
9	132416	2	Reversing Contactor Replacement Coil (208 Volt - 60 Hz)
	132415	2	Reversing Contactor Replacement Coil (220/230 Volt - 60 Hz)
	132407	2	Reversing Contactor Replacement Coil (240 Volt - 50 Hz)
10	322807	1	Contactor Mounting Panel ONLY
11	151001	2	#8-32 Pal Nut

Struthers-Dunn



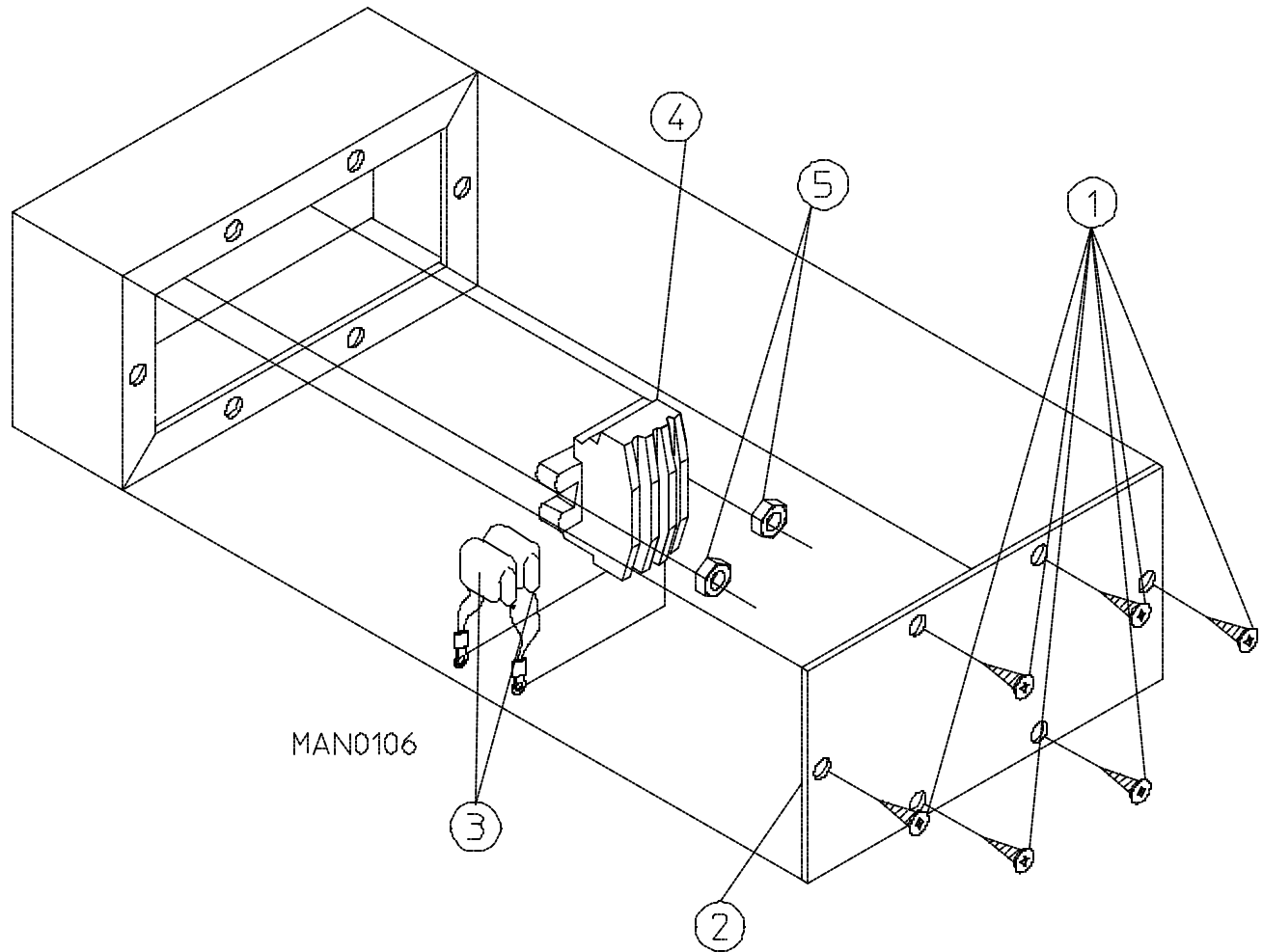
<u>Illus. No.</u>	<u>Part No.</u>	<u>Qty.</u>	<u>Description</u>
1	150301	6	#8-18 x 7/16" Phillips Pan Head TEK Screw
2	322808	1	Relay Box Cover Plate ONLY
3	150108	2	#8-32 x 1/2" Phillips Pan Head Machine Screw
4	132200	1	Reversing Timer - 60 Hz ONLY
	132202	1	Reversing Timer - 50 Hz ONLY
5	151001	2	#8-32 Pal Nut
6	153002	2	5/16" Lock Washer
7	152004	2	5/16-18 Hex Nut
8	150108	2	#8-32 x 1/2" Pan Head Machine Screw
9	132404	1	Reversing Contactor - 208 Volt
	132401	1	Reversing Contactor - 220/230 Volt
10	132416	2	Reversing Contactor Replacement Coil (208 Volt - 60 Hz)
	132415	2	Reversing Contactor Replacement Coil (220/230 Volt - 60 Hz)
	132407	2	Reversing Contactor Replacement Coil (240 Volt - 50 Hz)
11	322807	1	Contactor Mounting Panel ONLY
12	151001	2	#8-32 Pal Nut



<u>Illus. No.</u>	<u>Part No.</u>	<u>Qty.</u>	<u>Description</u>
1	150309	6	#10-16 x 1/2" Hex Head TEK Crimptite Screw
2	311913	1	Service Box Cover Plate (9-7/8" x 4-3/8")
	311921	1	Service Box Cover Plate (9-7/8" x 5-3/4")
3*	137015	1	Arc Suppressor (A.S.) - capacitor - ONLY
4	132425	1	Impellor Contactor (208/230/240 Volt - 50/60 Hz)
	132427	1	Impellor Contactor Replacement Coil (208/230/240 Volt - 50/60 Hz)
5	151000	4	#8-32 x 1/2" Phillips Round Head Machine Screw
6	150300	2	#10 x 1/2" Hex Washer TEK Screw
7	151001	4	#8-32 Pal Nut
8	311920	1	3-Phase (3 ϕ) Non-Reversing Contactor Mounting Bracket

* For use on 3-phase (3 ϕ) non-reversing microprocessor controlled dryer models ONLY.

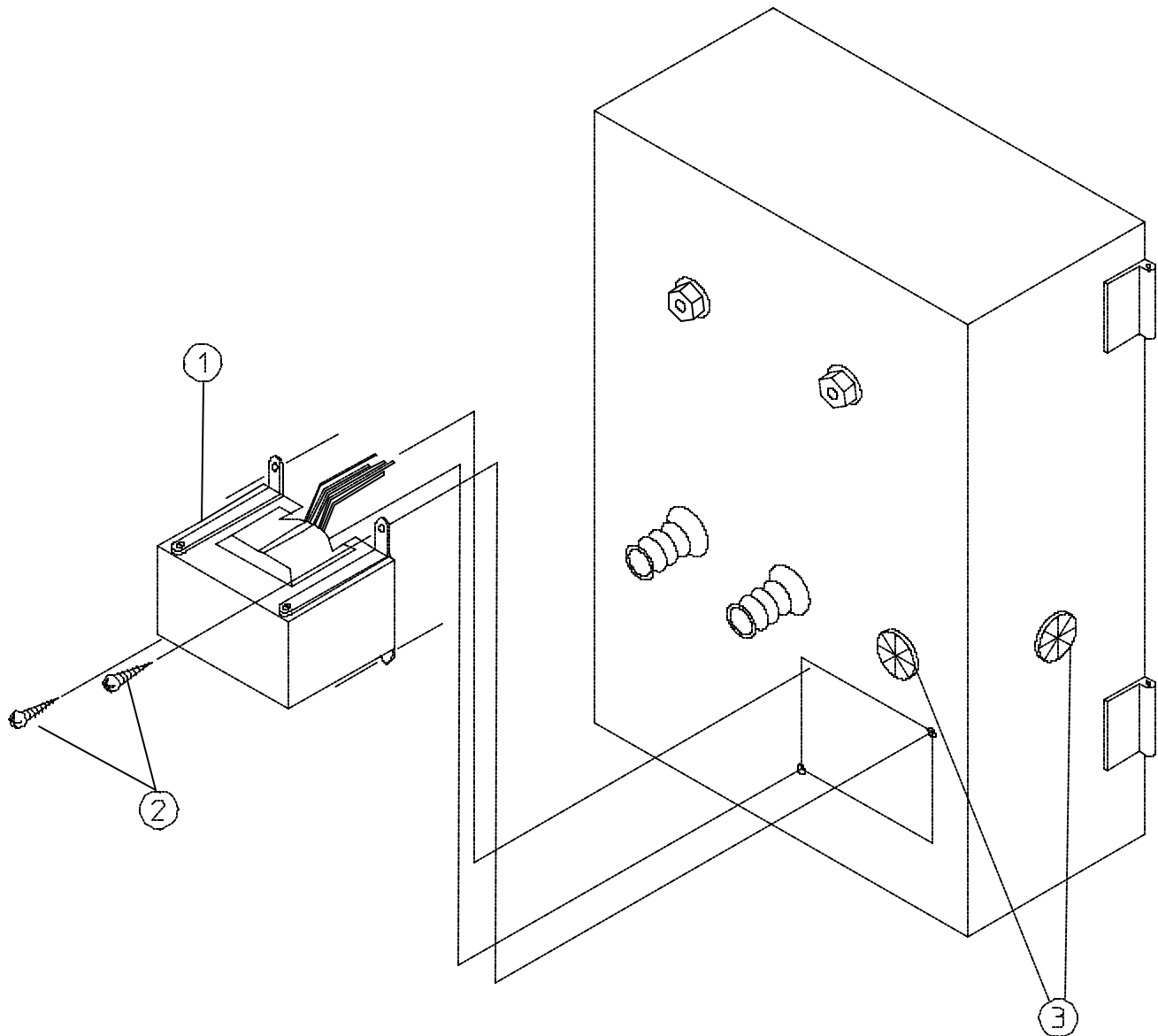
Furnas



<u>Illus. No.</u>	<u>Part No.</u>	<u>Qty.</u>	<u>Description</u>
1	150309	6	#10-16 x 1/2" Hex Head TEK Crimptite Screw
2	311913	1	Service Box Cover Plate (9-7/8" x 4-3/8")
	311921	1	Service Box Cover Plate (9-7/8" x 5-3/4")
3*	880662	1	Dual RC Suppressors ONLY
4	132400	1	Impellor Contactor ONLY
5	151001	2	8-32 Pal Nut

* Used on computer models ONLY.

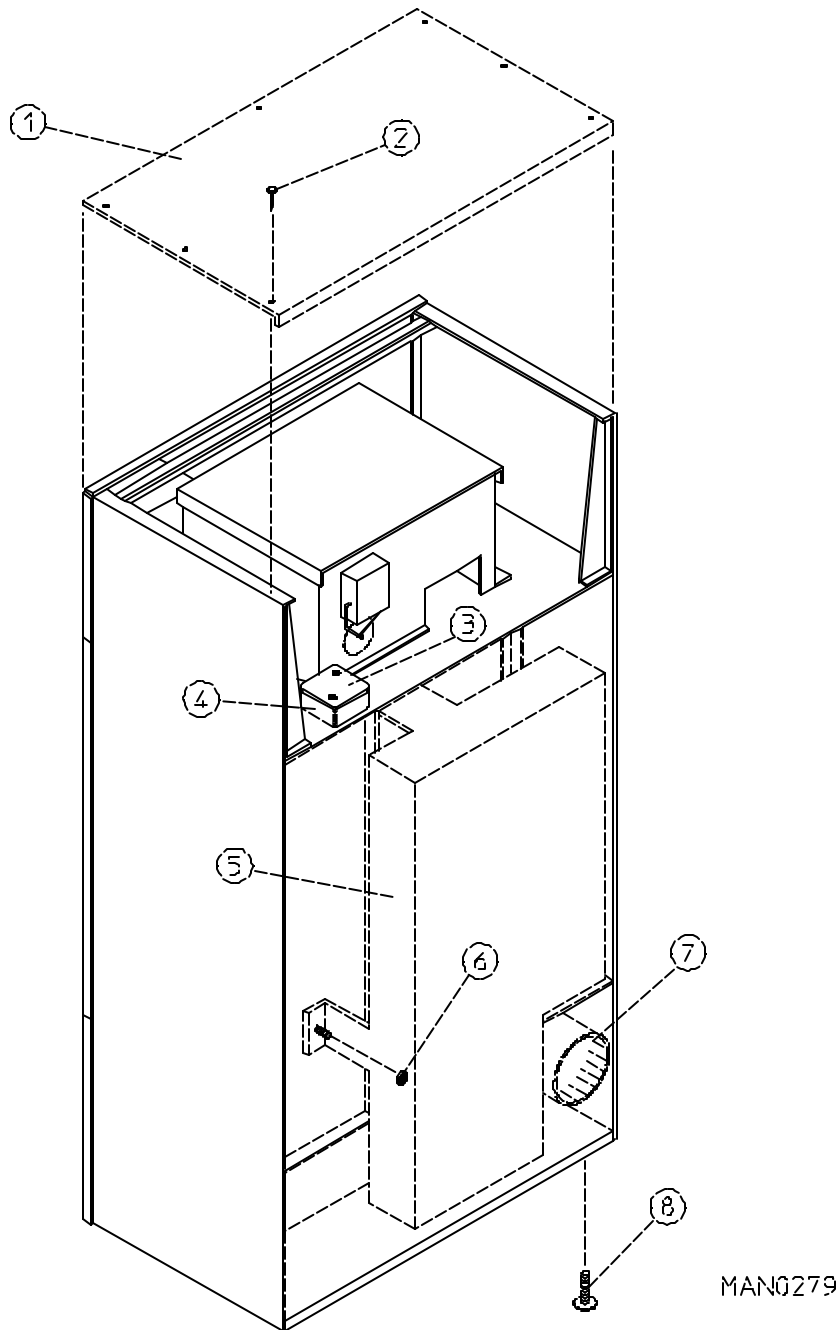
for Globar® and High Pressure Motorized Steam Valve Models ONLY



MAN0206

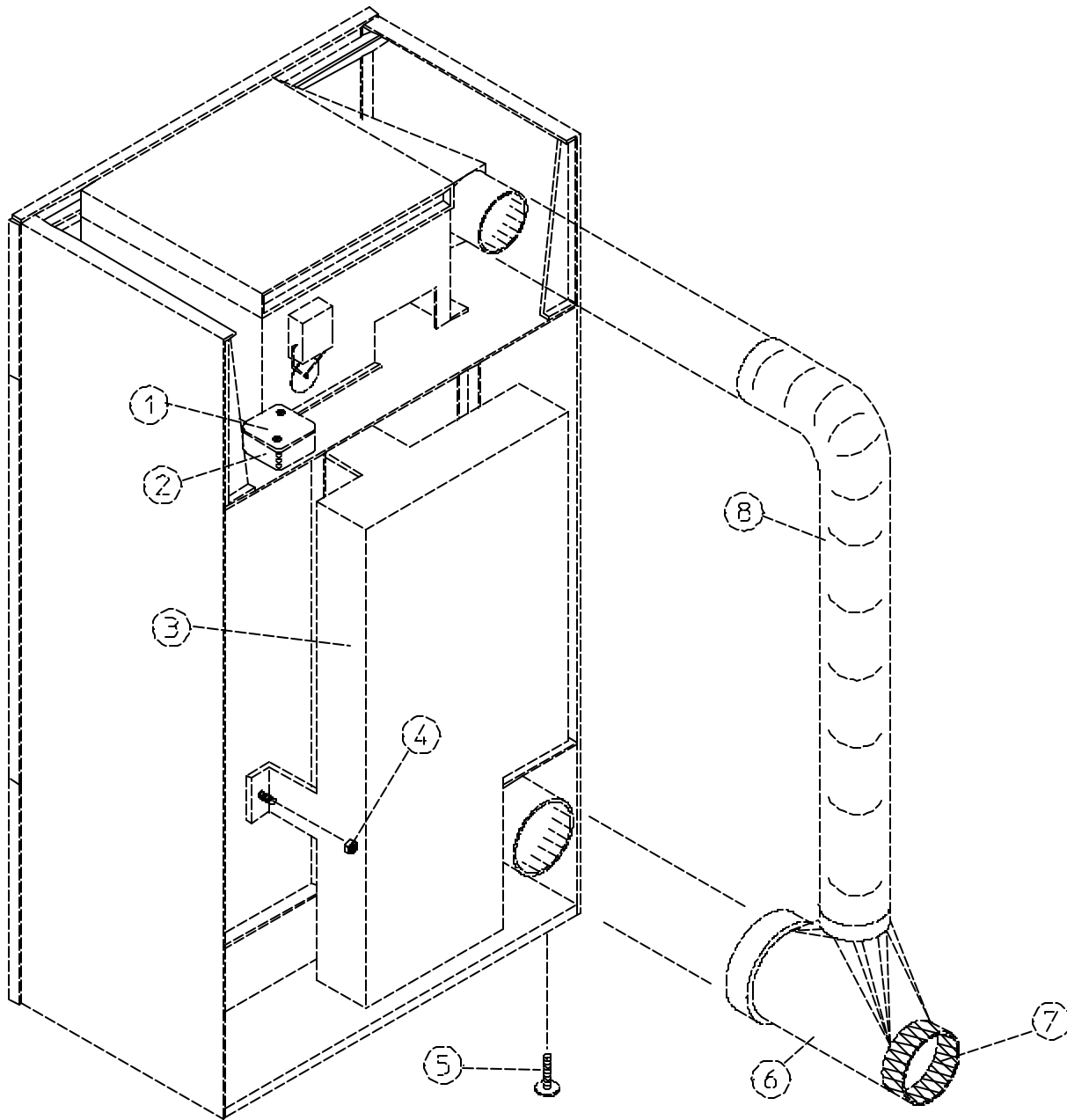
<u>Illus. No.</u>	<u>Part No.</u>	<u>Qty.</u>	<u>Description</u>
1*	132002	1	200-Watt Transformer - 120 Volt (terminals <i>are not included</i>)
2	150309	2	#10-16 x 1/2" Hex Head TEK Crimptite Screw
3	121400	2	Universal Bushing
-	880210	1	Terminal Package for Globar® Transformer

* Used on 208/230 Volt models ONLY.



MAN0279

<u>Illus. No.</u>	<u>Part No.</u>	<u>Qty.</u>	<u>Description</u>
1	312513	1	Outer Top Assembly (for gas and electric models Only)
2	150300	7	#10-16 x 1/2" Hex Washer TEK Screw
3	121101	1	Junction Box Cover ONLY (for gas and steam models Only)
4	121100	1	Junction Box ONLY (for gas and steam models Only)
5	801521	1	Back Guard Assembly
6	152014	3	1/4-20 Free Spin Wash Nut
7	880501	1	8" Damper Replacement (for non-heat reclaimer Models Only)
8	103500	4	Leveling Leg



MAN0405

Illus. No.	Part No.	Qty.	Description
1	121101	1	Junction Box Cover ONLY
2	121100	1	Junction Box ONLY
3	801521	1	Back Guard Assembly
4	152014	3	1/4-20 Free Spin Wash Nut
5	103500	4	Leveling Leg
6*	143501	1	8" x 6" x 6" Tee
7	880502	1	6" Replacement Damper Assembly
8	143509	1	6" Flexible Duct
-	117505	2	Aluminum Duct Tape (sold by the foot)

* Damper assembly **must be** purchased separately.

TYPE OF HEAT	ELECTRIC VOLTAGE			ARC SUPPRESSOR (A.S.) RELAY BOARD PART NUMBERS	
	SERVICE VOLTAGE	PHASE	WIRE SERVICE	(CONTROL VOLTAGE)	
				120 VOLT	208/230 VOLT
<u>GAS</u>					
Glo Bar Non-Hi/Lo	120	1 ϕ	2	137077 or 137150	---
Glo Bar Non-Hi/Lo	208/230	1 ϕ	2	---	137079
Glo Bar Non-Hi/Lo	208-480	3 ϕ	3	---	137079
Glo Bar Hi/Lo	120	1 ϕ	2	137077 or 137150	---
Glo Bar Hi/Lo	208/230	1 ϕ	2	137077	---
Glo Bar Hi/Lo	208-480	3 ϕ	3	---	137079 or 137150
Direct Spark Ignition (DSI)	120	1 ϕ	2	137076 or 137151	---
Direct Spark Ignition (DSI)	208/230	1 ϕ	2	---	137078 or 137151
Direct Spark Ignition (DSI)	208-480	3 ϕ	3	---	137078
<u>ELECTRIC</u>					
20 Kw through 30 Kw	208/230	1 ϕ	2	---	137078 or 137151
	208-480	3 ϕ	3	---	137078 or 137151*
	208	3 ϕ	4	137076 or 137151*	---
	380-480	3 ϕ	4	---	137078 or 137151*
<u>STEAM</u>					
Low Pressure	120	1 ϕ	2	137076 or 137151	---
Low Pressure	208/230	1 ϕ	2	---	137078 or 137151
Low Pressure	208-480	3 ϕ	3	---	137078
High Pressure	120	1 ϕ	2	137076 or 137151	---
High Pressure	208/230	1 ϕ	2	---	137078 or 137151
High Pressure	208-480	3 ϕ	3	---	137078

* **ADC** Part No. 137151 Solid State Relay (SSR) Board **cannot** be used with 3-phase (3 ϕ) motors.

IMPORTANT: Check label on Arc Suppressor (A.S.) Board to verify correct part number.

NOTE: Solid State Relay (SSR) Boards (**ADC** Part No. 137150 and **ADC** Part No. 137151) can be used in place of electromechanical relay boards as noted.

GLOBAL® BURNER ORIFICE LISTING*						
ADC MODEL NUMBER	HEAT RECLAIMER	QTY.	NATURAL GAS		LIQUID PROPANE (L.P.) GAS	
			D.M.S.	PART No.	D.M.S.	PART No.
UDG-50B	No	3	#31	140818	#49	140803
UDG-50BH	Yes	2	#30	140819	#47	140805

* Consult factory for elevations over 2,000 feet.

GLOBAL® BURNER ASSEMBLY LISTING				
ADC MODEL NUMBER	DRYER CONTROLS	HEAT RECLAIMER	NATURAL GAS	LIQUID PROPANE (L.P.) GAS
			PART No.	PART No.
UDG-50B	Computer	No	809607	809608
UDG-50B	Noncomputer	No	808704	808804
UDG-50BH	Computer	Yes	809594	809604
UDG-50BH	Noncomputer	Yes	809543	809548

NOTES: 1. Burner assemblies *do not include* burner orifices. They **must be** ordered separately

2. Models with computer controls and optional heat reclaimer systems have hi/lo computerized gas valve system.

3. When ordering burner assemblies, specify model number and if computer or noncomputer controls.

GLOBAL® LIQUID PROPANE (L.P.) CONVERSION KIT LISTING*		
ADC MODEL NUMBER	HEAT RECLAIMER	LIQUID PROPANE (L.P.) KIT PART NUMBER
UDG-50B	No	874035
UDG-50B	No	874017
UDG-50BH	Yes	874019
UDG-50BH	Yes	874018

* Consult factory for elevations over 2,000 feet.

DIRECT SPARK IGNITION (DSI) BURNER ORIFICE LISTING*						
ADC MODEL NUMBER	HEAT RECLAIMER	QTY.	NATURAL GAS		LIQUID PROPANE (L.P.) GAS	
			D.M.S.	PART No.	D.M.S.	PART No.
UDG-50D	No	3	#29	140820	#48	140804
UDG-50DH	Yes	2	#23	140856	#42	140810

* Consult factory for elevations over 2,000 feet.

DIRECT SPARK IGNITION (DSI) BURNER ASSEMBLY LISTING				
ADC MODEL NUMBER	BTU/H RATING	HEAT RECLAIMER	NATURAL GAS	LIQUID PROPANE (L.P.) GAS
			PART No.	PART No.
UDG-50D	160,000	No	809627	809628
UDG-50DH	140,000	Yes	809629	809630

NOTES: 1. Burner assemblies *do not include* burner orifices. They **must be** ordered separately
 2. When ordering burner assemblies, specify model number and if computer or noncomputer controls

DIRECT SPARK IGNITION (DSI) LIQUID PROPANE (L.P.) CONVERSION KIT LISTING*	
ADC MODEL NUMBER	LIQUID PROPANE (L.P.) KIT PART NUMBER
UDG-50D	874046
UDG-50DH	874047

* Consult factory for elevations over 2,000 feet.

<u>Part No.</u>	<u>Description</u>
112039	“Black/White/Green Ground” Label
112090	“Phase 4 OPL Program Location Summary” Label
112280	“Clean Lint Screen” Label
114001	“CAUTION - Exhausted/Lint Screen” Label
114006	“WARNING - Fire Hazards” Label
120100	3/8” Straight (BX) Connector
120300	3/8” x 45° (BX) Connector
120400	3/8” Red Jacket (BX) Insulator
120500	3/8” Jiffy Clip (BX Retainer Clip)
120600	3/8” Greenfield (BX)
120707	Terminal Strip (2-position)
120708	Terminal Strip (3-position)
120800	1/4” In-Line Connector
120802	Red Butt Connector
120902	#74B Wire Nut
120903	Crimp-on Wire Nut
121014	1/4” Insulated (female) Terminal
121026	Tab Receptacle Combination
121499	4” Harness Tie
121500	7” Harness Tie
121503	Harness Tie Mounting Clip
122804	Manometer (Hydro Gauge) for Measuring Gas Pressure
404500	Almond Brush-In-Cap Bottle Touch-Up Paint
404502	White Brush-In-Cap Bottle Touch-Up Paint
404506	Almond “B” Brush-In-Cap Bottle Touch-Up Paint
404507	Cornflower Blue Brush-In-Cap Bottle Touch-Up Paint
880200	Electrical Terminal (assortment) Kit

ADC 450097 1- 02/01/91-250 2- 03/25/92-100 3* 11/19/93-100
4- 10/20/94-100 5- 07/29/97-50 6- 01/29/98-50
7* 06/30/00-25

