The logo for UniDryer, featuring the word "UniDryer" in a stylized, bold, italicized font. The letters are filled with a vertical hatching pattern. A registered trademark symbol (®) is located at the end of the word. The logo is enclosed in a rectangular border.

UniDryer®

**UD-50 Parts Manual
24 VAC
1992 thru 1995**

American Dryer Corporation
88 Currant Road
Fall River, MA 02720-4781
Telephone: (508) 678-9010 / Fax: (508) 678-9447
E-mail: tech support@amdry.com

Retain This Manual In A Safe Place For Future Reference

American Dryer Corporation products embody advanced concepts in engineering, design, and safety. If this product is properly maintained, it will provide many years of safe, efficient, and trouble-free operation.

ONLY properly licensed technicians should service this equipment.

OBSERVE ALL SAFETY PRECAUTIONS displayed on the equipment or specified in the installation/operator's manual included with the dryer.

WARNING: UNDER NO CIRCUMSTANCES should the door switch or the heat circuit devices ever be disabled.

WARNING: The dryer *must never* be operated with any of the back guards, outer tops, or service panels removed. PERSONAL INJURY or FIRE COULD RESULT.

We have tried to make this manual as complete as possible and hope you will find it useful. ADC reserves the right to make changes from time to time, without notice or obligation, in prices, specifications, colors, and material, and to change or discontinue models.

Important

For your convenience, log the following information:

DATE OF PURCHASE _____ MODEL NO. **UD-50** _____
DISTRIBUTORS NAME _____
Serial Number(s) _____

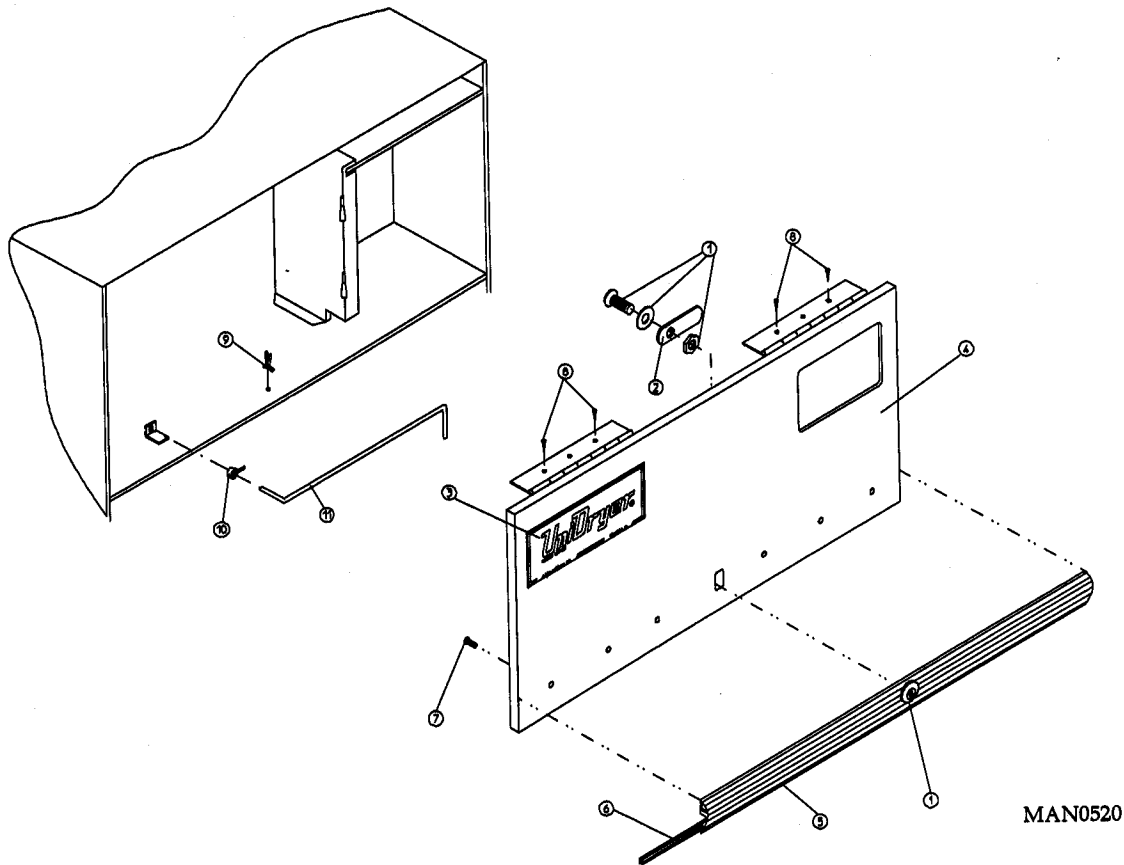
Replacement parts can be obtained from your distributor or the ADC factory. When ordering replacement parts from the factory, you can FAX your order to ADC at (508) 678-9447 or telephone your orders directly to the ADC Parts Department at (508) 678-9010. Please specify the dryer **model number** and **serial number** in addition to the **description** and **part number**, so that your order is processed accurately and promptly.

The illustrations on the following pages may not depict your particular dryer exactly. The illustrations are a composite of the various dryer models. Be sure to check the descriptions of the parts thoroughly before ordering.

INSTRUCTIONS TO BE FOLLOWED IN THE EVENT THE USER SMELLS GAS MUST BE POSTED IN A PROMINENT LOCATION. THE INSTRUCTIONS TO BE POSTED SHALL BE OBTAINED FROM THE LOCAL GAS SUPPLIER.

Table of Contents

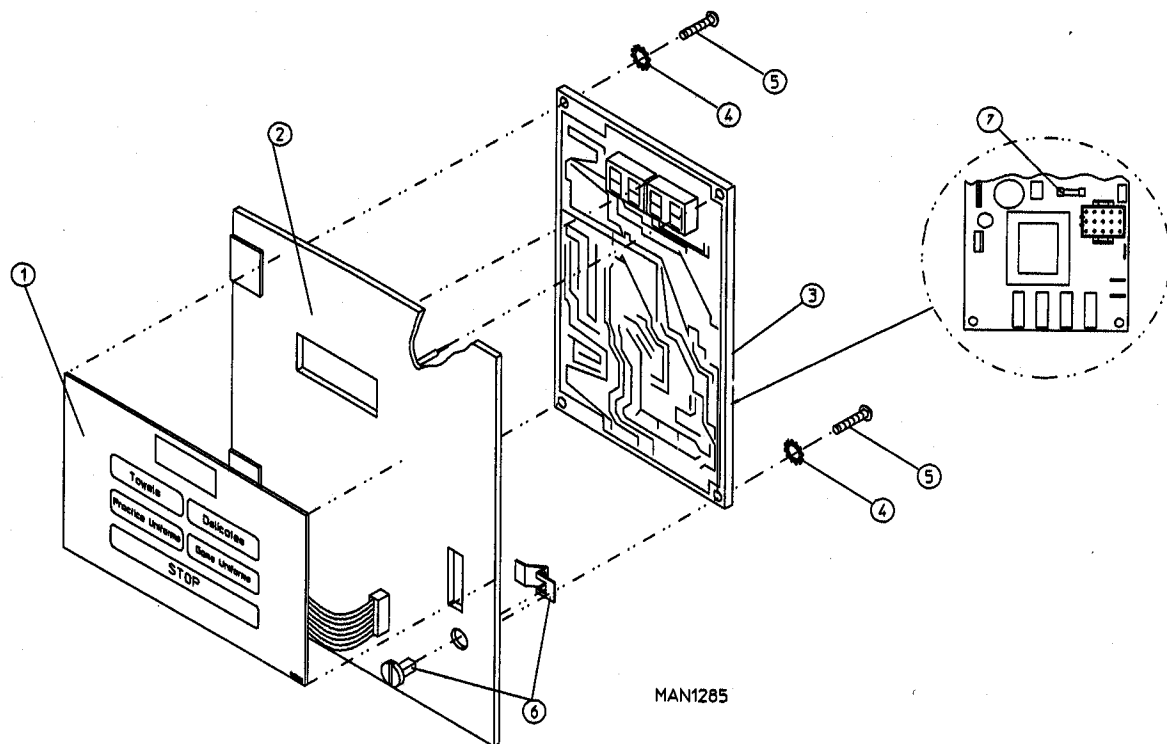
| | |
|--|--------|
| UD-50 High Security Control Door Assembly | 2 |
| Unisport [®] Microprocessor Control Panel Assembly | 3 |
| Phase 5 OPL Microprocessor Control Panel Assembly | 4 |
| Phase 5 OPL Microprocessor Control Box Assembly | 5 |
| Dual Timer Control Panel Assembly | 6, 7 |
| Dual Timer Control Box Assembly | 8 |
| Main Door Assembly | 9 |
| Front Panel Assembly | 10 |
| Main Door Switch Assembly | 11 |
| UD-50 Lint Trap Assembly | 12 |
| UD-50 Drop Lint Door Assembly | 13 |
| UD-50 Basket (Tumbler)/Support Assemblies | 14, 15 |
| Idler Bearing Assembly | 16, 17 |
| Tumbler Bearing Assembly | 18, 19 |
| Non-Reversing Totally Enclosed, Fan-Cooled (T.E.F.C.) Motor Mount Assembly | 20, 21 |
| Reversing Totally Enclosed, Fan-Cooled (T.E.F.C.) Motor Mount Assembly | 22, 23 |
| Sensor Bracket Assemblies | 24, 25 |
| Sail Switch/Hi-Limit Assembly | 26, 27 |
| Direct Spark Ignition (DSI) Burner Assembly | 28, 29 |
| Electric Oven Assembly | 30, 31 |
| UDS-50 Air Operated Steam Damper System | 32, 33 |
| UDS-50 Mechanical Steam Damper System Option | 34, 35 |
| Single-Phase Motor, Electric Relay Panel Assembly | 36 |
| 3-Phase Motor, Electric Relay Panel Assembly | 37 |
| Microprocessor Reversing Rear Control Box Assembly | 38 |
| Dual Timer Reversing Rear Control Box Assembly | 39 |
| Outer Top/Back Guard Assemblies | 40 |
| Heat Reclaimer Assembly | 41 |
| UDG-50 DSI Burner Assembly Specifications | 42 |
| UDE-50 Electric Oven Chart | 43 |
| Additional Parts Available | 44 |



MAN0520

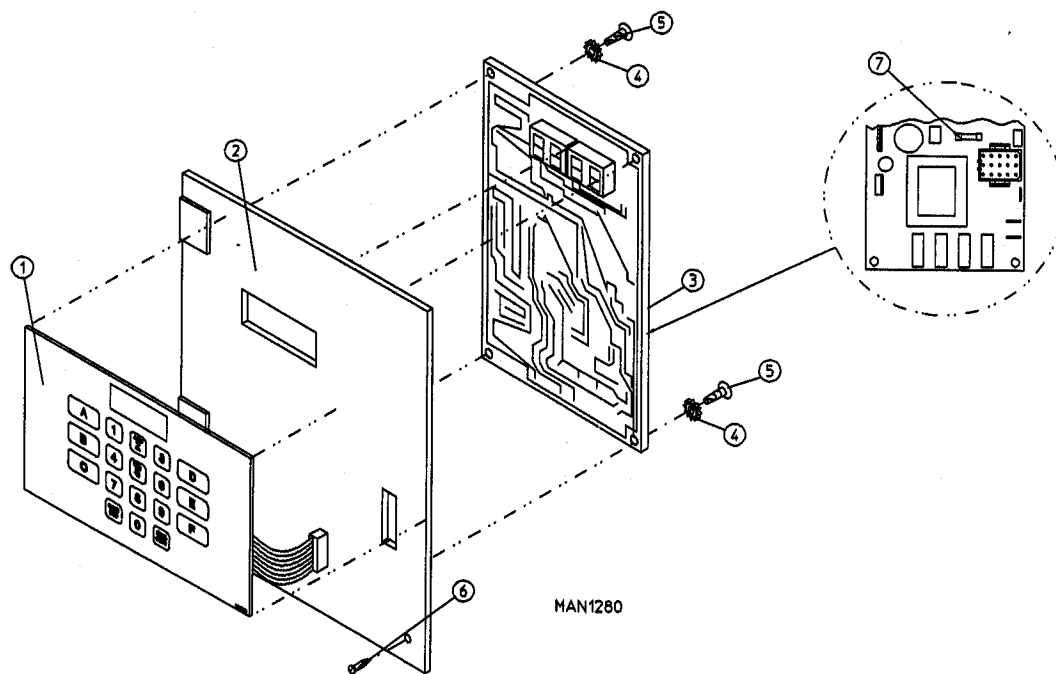
| Illus. No. | Part No. | Qty. | Description |
|------------|----------|------|---|
| 1 | 160017 | 1 | Special Dummy Lock ONLY (for Non-Coin Models ONLY) |
| | 160104 | 1 | MK-100 Key ONLY (optional) |
| 2 | 160016 | 1 | Lock Cam ONLY |
| 3 | 112312 | 1 | UniDryer® Logo ONLY |
| | 870011 | 1 | Logo Double Sided Tape Kit |
| 4 | 800021* | 1 | UD-50 High Security Control Door Assembly Less Lock (includes illus. nos. 4 through 7) |
| | 800142 | 1 | UD-50 High Security Stainless Steel Control Door Assembly less Lock (includes illus. nos. 4 through 7) |
| 5 | 180202 | 1 | UD-50 Top Trim Strip with Lock Hole |
| 6 | 117603 | 3 | Suppressor Tape / Gasket (sold in feet) |
| 7 | 150201 | 6 | #10-32 x 1/4" Phillips Round Head Machine Screw |
| 8 | 150300 | 4 | #10 x 1/2" Hex Washer TEK Screw |
| 9 | 102600 | 1 | Control Door Support Rod Catch |
| 10 | 102601 | 1 | Control Door Rod Retainer Clip |
| 11 | 102502 | 1 | Control Door Support Rod |

* Specify color when ordering.



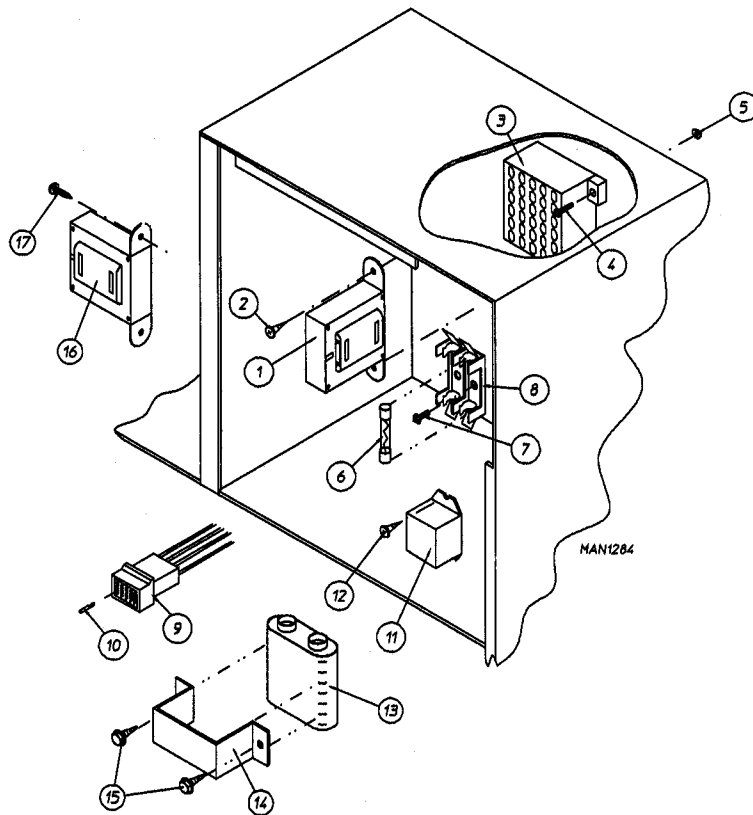
| Illus. No. | Part No. | Qty. | Description |
|------------|----------|------|--|
| 1 | 112523 | 1 | Unisport® OPL Keyboard Label Assembly |
| 2 | 801255 | 1 | Phase 5 Microprocessor Control Panel ONLY |
| | 801256 | 1 | Phase 5 Microprocessor Control Panel ONLY with Battery Bracket |
| | 801208 | 1 | Unisport® Phase 5 OPL Reversing Microprocessor Control Panel Assembly Complete (includes illus. nos. 1 through 5) |
| | 801209 | 1 | UniSport® Phase 5 OPL Non-Reversing Microprocessor Control Panel Assembly Complete (includes illus. nos. 1 through 5) |
| 3 | 137222 | 1 | Phase 5 OPL Non-Reversing Microprocessor Controller ONLY |
| | 137231 | 1 | Phase 5 OPL Reversing Microprocessor Controller ONLY |
| | 824998 | 1 | Phase 5 OPL Battery Clip |
| 4 | 153010 | 2 | #6 Star Washer |
| 5 | 150005 | 2 | #6-32 x 3/4" Phillips Round Head Machine Screw |
| 6 | 160005 | 1 | Spring Turn Latch (2-Piece) For models mfd. prior to March 1, 1994 |
| | 150415 | 1 | #10-16 x 1/2" Phillips Round Head Crimptite Screw ... Not Illustrated (for models mfd. as of March 1, 1994) |
| 7 | 136048 | 1 | 1/8-Amp (Slo Blo) Fuse |

IMPORTANT: Check label on computer chip to verify correct part number for controller.



| Illus. No. | Part No. | Qty. | Description |
|------------|----------|------|--|
| 1 | 112535 | 1 | OPL English Keyboard Label Assembly |
| | 112276 | 1 | OPL Stick-on Labels (English ONLY) ... Not Illustrated |
| | 112275 | 1 | OPL Stick-on Labels (Spanish, Italian, and Hebrew) ... Not Illustrated |
| | 112277 | 1 | OPL Stick-on Labels (English, Spanish, and Hebrew) ... Not Illustrated |
| | 112278 | 1 | OPL Stick-on Labels (Italian, Dutch, French, German, Chinese) ... Not Illustrated |
| 2 | 801255 | 1 | Phase 5 Microprocessor Control Panel ONLY |
| | 801256 | 1 | Phase 5 Microprocessor Control Panel ONLY with Battery Bracket |
| | 801206 | 1 | Phase 5 OPL Non-Reversing Microprocessor Control Panel Assembly Complete (includes illus. nos. 1 through 6) |
| | 801207 | 1 | Phase 5 OPL Reversing Microprocessor Control Panel Assembly Complete (includes illus. nos. 1 through 6) |
| 3 | 137222 | 1 | Phase 5 OPL Non-Reversing Microprocessor Controller ONLY |
| | 137231 | 1 | Phase 5 OPL Reversing Microprocessor Controller ONLY |
| | 824998 | 1 | Phase 5 OPL Battery Clip |
| 4 | 153010 | 2 | #6 Star Washer |
| 5 | 150005 | 2 | #6-32 x 3/4" Phillips Round Head Machine Screw |
| 6 | 150415 | 1 | #10-16 x 1/2" Phillips Round Head CrimpTite Screw (for models mfd. as of March 1, 1994) |
| | 160005 | 1 | Spring Turn Latch (2-piece) ... Not Illustrated (for models mfd. prior to March 1, 1994) |
| 7 | 136048 | 1 | 1/8-Amp (Slo Blo) Fuse |

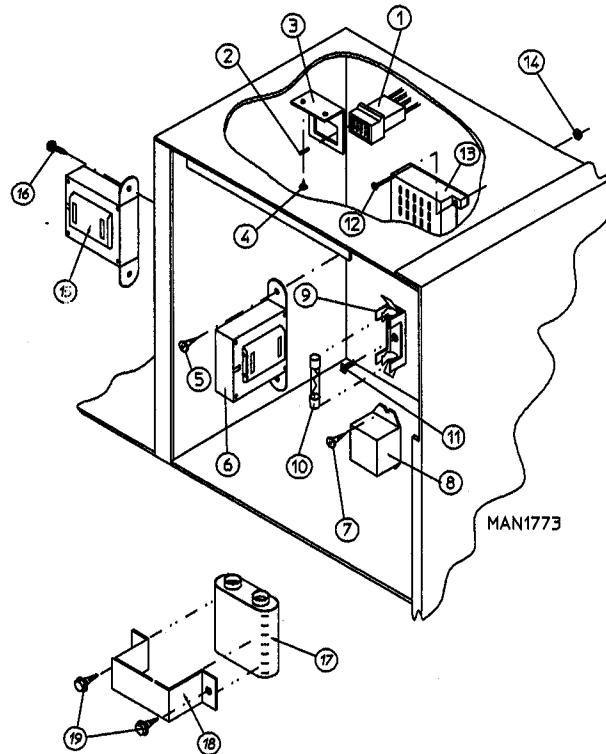
IMPORTANT: Check label on computer chip to verify correct part number for controller.



| Illus. No. | Part No. | Qty. | Description |
|------------|----------|------|---|
| 1 | 141403 | 1 | 24 VAC Transformer |
| 2 | 150300 | 2 | #10 x 1/2" Hex Washer TEK Screw |
| 3 | 120715 | 1 | 30-Position Terminal Block |
| 4 | 150002 | 2 | #6-32 x 1" Phillips Round Head Screw |
| 5 | 151000 | 2 | #6-32 Pal Nut |
| 6 | 136057 | * | 1/2-Amp (Slo Blo) Fuse ONLY |
| 7 | 150301 | * | #8-18 x 7/16" Phillips Pan Head TEK Screw |
| 8 | 136008 | * | Fuse Block/Strip ONLY |
| 9 | 122641 | 1 | 15-Pin Microprocessor Connector |
| 10 | 122706 | * | Socket ONLY |
| 11 | 131931 | 1 | Steam Valve Relay - 24 VAC (for Optional Mechanical Steam Damper Models ONLY) |
| 12 | 150415 | 2 | #10-16 x 1/2" Phillips Round Head Crimptite Screw |
| 13 | 137035 | 1 | Motor Capacitor (for Optiona; Mechanical Steam Damper Models ONLY) |
| 14 | 323583 | 1 | Capacitor Bracket (for Optional Mechanical Steam Damper Models ONLY) |
| 15 | 150300 | 2 | #10 x 1/2" Hex Washer TEK Screw |
| 16 | 132002 | 1 | Transformer (for Optional Mechanical Steam Damper Models 208 volts and higher) |
| 17 | 150300 | 2 | #10 x 1/2" Hex Washer TEK Screw |

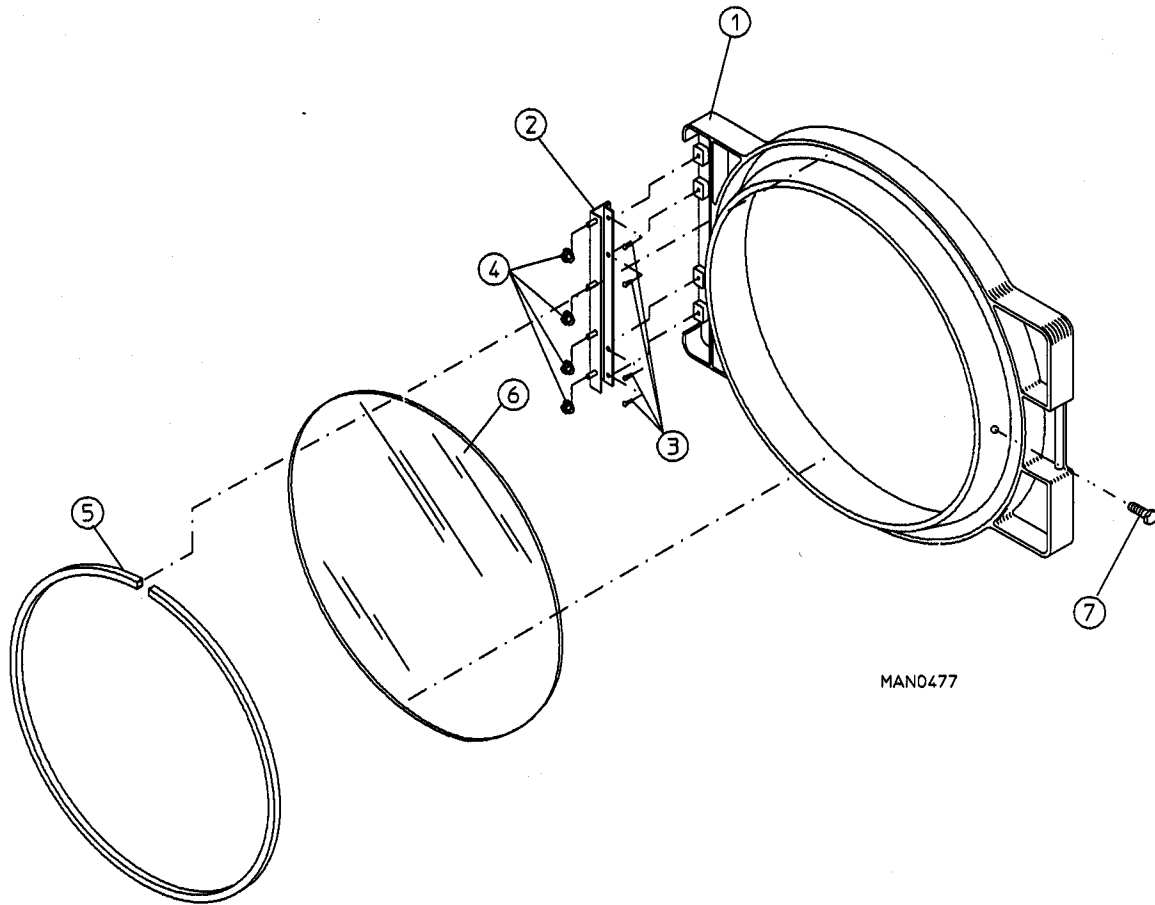
* As required.

| <u>Illus. No.</u> | <u>Part No.</u> | <u>Qty.</u> | <u>Description</u> |
|-------------------|-----------------|-------------|--|
| 1 | 123005 | 1 | Red Indicator Light - 24 VAC |
| 2 | 122400 | 1 | Rocker Heat Selector Switch |
| 3 | 824015 | 1 | Dual Timer Control Panel Assembly Complete - 24 VAC (includes illus. nos. 1 through 21) |
| | 800051 | 1 | Dual Timer Control Panel ONLY |
| 4 | 131917 | 1 | Push-to-Start Relay - 24 VAC |
| 5 | 150207 | 2 | #10-24 x 1/2" Round Head Machine Screw |
| 6 | 154001 | 2 | #10-24 Speed Nut |
| 7 | 152000 | 2 | #6-32 Hex Nut |
| 8 | 153010 | 2 | #6 Star Washer |
| 9 | 120730 | 1 | 30-Position Terminal Block (for models mfd. as of May 2, 1993) |
| | 120713 | 1 | 18-Position Terminal Block (for models mfd. prior to May 2, 1993) |
| 10 | 150002 | 2 | #6-32 x 1" Round Head Machine Screw |
| 11 | 150110 | 4 | #8-32 x 1/4" Phillips Head Machine Screw |
| 12 | 150001 | 2 | #6-32 x 1/2" Round Head Machine Screw |
| 13 | 131931 | 1 | Dual Timer Relay - 24 VAC |
| 14 | 151000 | 2 | #6-32 Pal Nut |
| 15 | 112050 | 1 | Dual Timer Label ONLY |
| 16 | 160005 | 1 | Spring Turn Latch (2-Piece) |
| 17 | 124103 | 2 | Arrow Timer Knob |
| 18 | 124025 | 1 | 60-Minute Timer - 24 VAC |
| 19 | 124030 | 1 | 15-Minute Timer - 24 VAC |
| 20 | 122602 | 1 | 9-Pin Connector ONLY |
| 21 | 122700 | 8 | Pin Terminal ONLY |
| — | 122801 | 1 | Pin/Socket Extraction Tool |



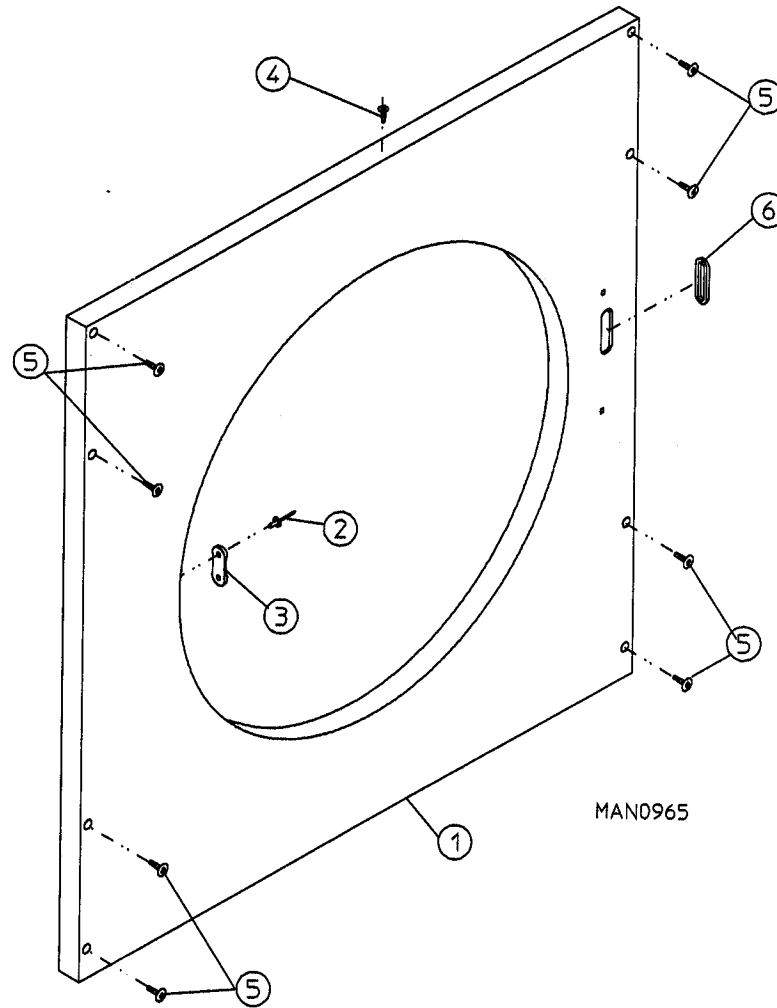
| Illus. No. | Part No. | Qty. | Description |
|------------|----------|------|---|
| 1 | 122603 | 1 | 9-Pin Socket Connector |
| 2 | 122701 | 8 | Socket Terminal ONLY |
| | 122801 | 1 | Pin/Socket Extraction Tool |
| 3 | 315010 | 1 | 9-Pin Connector Bracket |
| 4 | 150300 | 2 | #10 x 1/2" Hex Washer TEK Screw |
| 5 | 150300 | 2 | #10 x 1/2" Hex Washer TEK Screw |
| 6 | 141403 | 1 | 24 VAC Transformer |
| 7 | 150415 | 2 | #10-16 x 1/2" Phillips Round Head Crimptite Screw |
| 8 | 131931 | 1 | Steam Valve Relay - 24 VAC (for Optional Mechanical Steam Damper Models ONLY) |
| 9 | 136008 | * | Fuse Block/Strip ONLY |
| 10 | 136057 | * | 1/2 Amp (Slo Blo) Fuse |
| 11 | 150301 | * | #8-18 x 7/16" Phillips Pan Head TEK Screw |
| 12 | 150002 | 2 | #6-32 x 1" Phillips Round Head Machine Screw |
| 13 | 120715 | 1 | 30-Position Terminal Block |
| 14 | 151000 | 2 | #6-32 Pal Nut |
| 15 | 132002 | 1 | Transformer (for mechanical steam damper 208 volt and higher models) |
| 16 | 150300 | 2 | #10 x 1/2" Hex Washer TEK Screw |
| 17 | 137035 | 1 | Motor Capacitor (for Optional Mechanical Steam Damper Models ONLY) |
| 18 | 323583 | 1 | Capacitor Bracket (for Optional Mechanical Steam Damper Models ONLY) |
| 19 | 150300 | 2 | #10 x 1/2" Hex Washer TEK Screw (for Optional Mechanical Steam Damper Models ONLY) |

* As required...check fusing on dryer for verification.



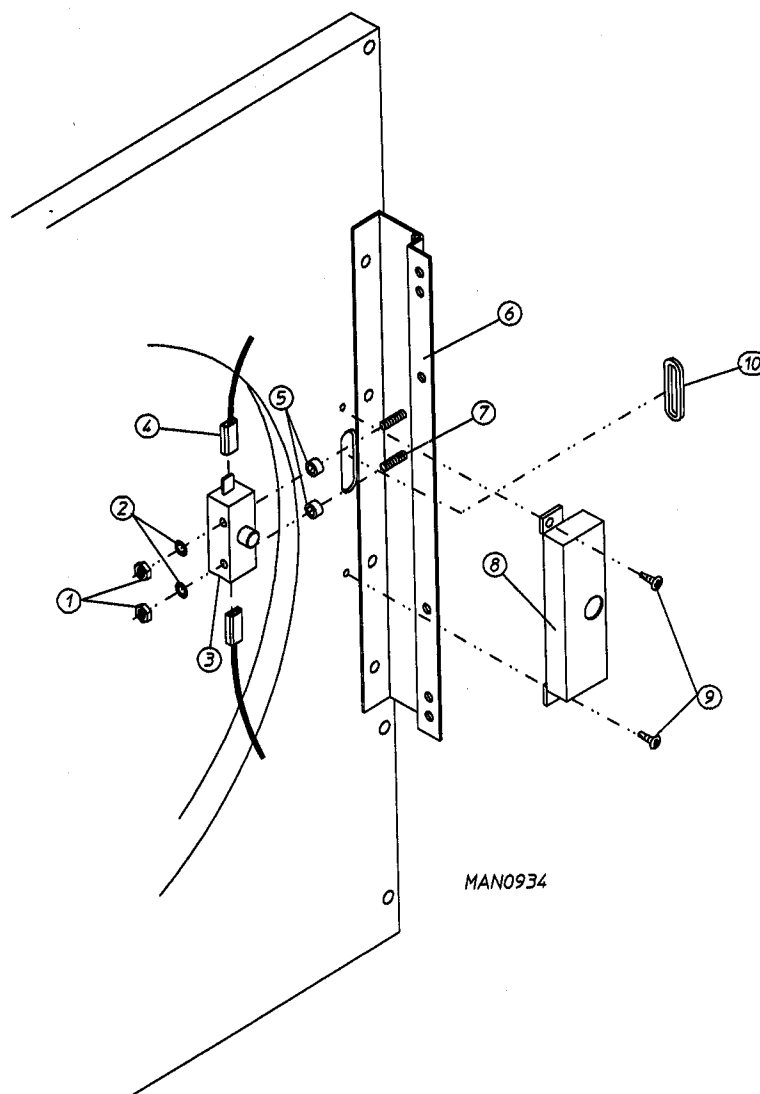
| Illus. No. | Part No. | Qty. | Description |
|------------|----------|------|-------------|
|------------|----------|------|-------------|

| | | | |
|---|--------|---|--|
| 1 | 800285 | 1 | Gray Main Door Assembly (Latch Type) Complete (includes illus. nos. 1, 5, 6, and 7) |
| 2 | 800448 | 1 | 12-1/2" Stainless Steel Main Door Hinge Assembly |
| 3 | 150410 | 4 | #10-24 x 3/8" Phillips Pan Head Taptite Screw |
| 4 | 152014 | 4 | #1/4-20 Free Spin Wash Nut |
| 5 | 102353 | 1 | 69-1/2" Main Door Gasket |
| | 170730 | 1 | Main Door Gasket Adhesive (10.7 oz. cartridge) |
| 6 | 102210 | 1 | 20-7/16" Door Glass |
| | 170730 | 1 | Main Door Glass Adhesive (10.3 oz cartridge) |
| 7 | 150431 | 1 | Main Door Latch Screw (#10 x 7/16" Dome Hex Head Screw) |

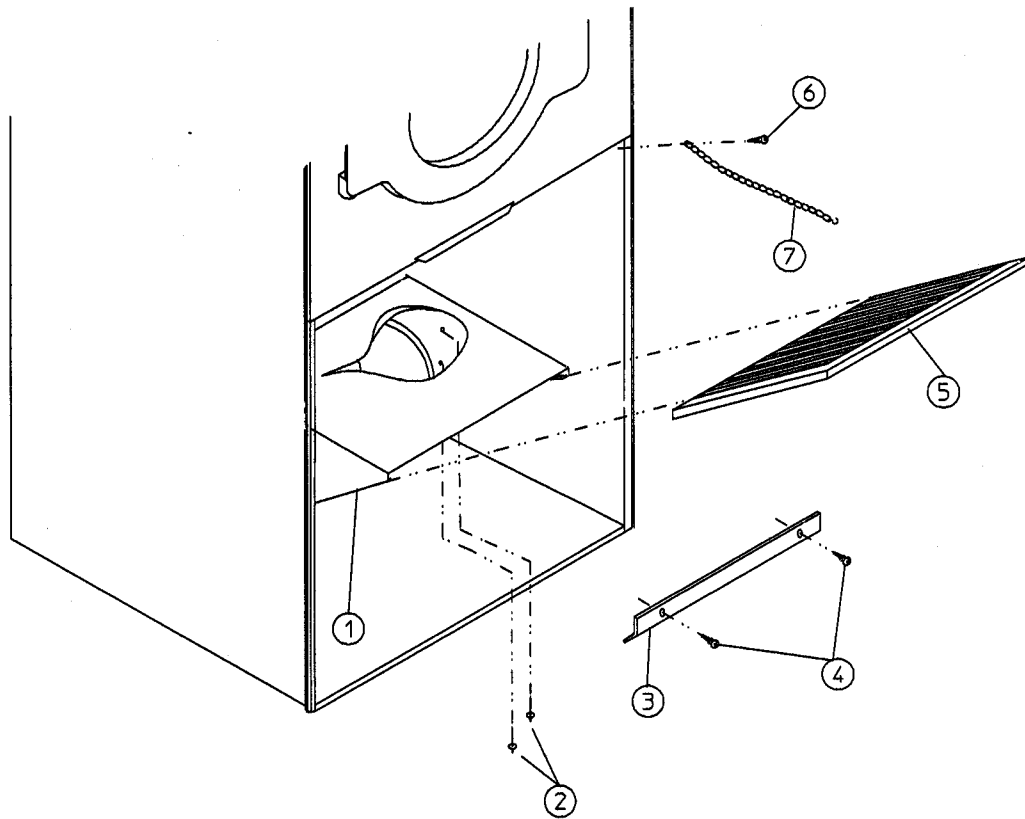


| Illus. No. | Part No. | Qty. | Description |
|------------|----------|------|---|
| 1 | 875302* | 1 | UD-50 R.H. Insulated Front Panel Assembly (Latch Type) Complete (includes illus. nos. 1, 2, 3, and 6) |
| | 875313 | 1 | UD-50 Stainless Steel R.H. Insulated Front Panel Assembly (Latch Type) Complete (includes illus. nos. 1, 2, 3, and 6) |
| 2 | 154215 | 2 | 1/8" Pop Rivet |
| 3 | 170330 | 1 | Friction Door Latch |
| 4 | 150300 | 1 | #10 x 1/2" Hex Washer TEK Screw |
| 5 | 150415 | 8 | #10-16 x 1/2" Phillips Round Head Crimpite Screw |
| 6 | 121405 | 1 | Rubber Grommet |

* Specify color when ordering.

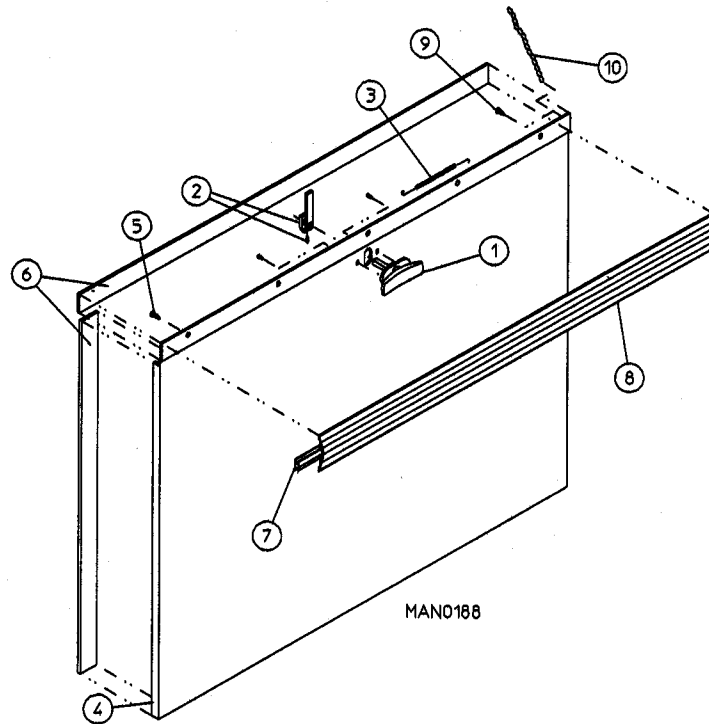


| Illus. No. | Part No. | Qty. | Description |
|------------|----------|------|--|
| 1 | 152013 | 2 | #6-32 Hex Nut |
| 2 | 153008 | 2 | #6 Lock Washer |
| 3 | 137005 | 1 | Single-Pole Door Switch |
| 4 | 121028 | 2 | Insulated Female Terminal |
| 5 | 154281 | 2 | 3/8" Standard Nylon Spacers |
| 6 | 800448 | 1 | 12-1/2" Stainless Steel Main Door Hinge Assembly (includes illus. nos. 6 and 7) |
| 7 | 153565 | 2 | #6 Stud |
| 8 | 313218 | 1 | Main Door Switch Housing ONLY |
| 9 | 150201 | 2 | #10-32 x 1/4" Phillips Pan Head Screw |
| 10 | 121405 | 1 | Rubber Grommet |



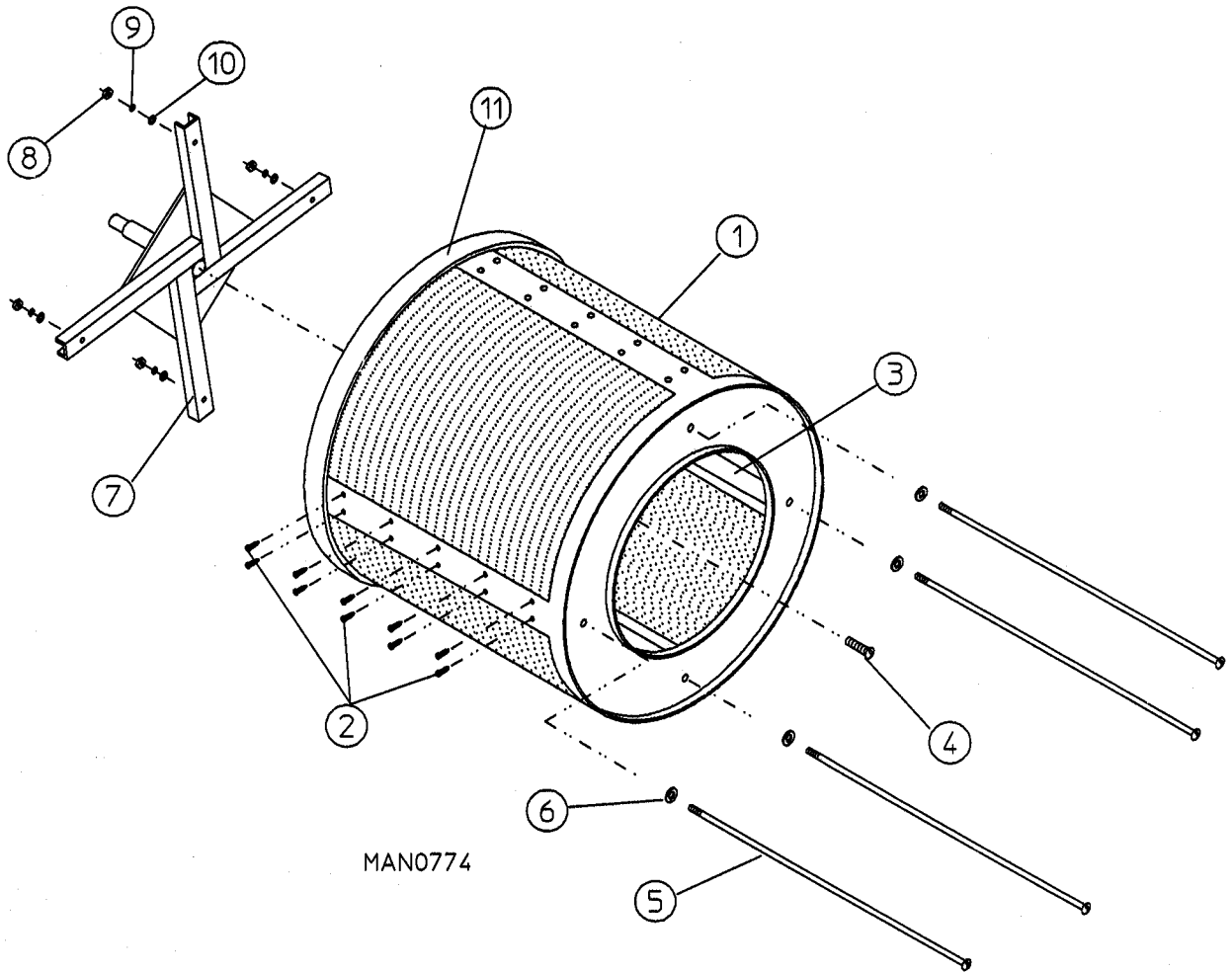
MAN0107

| Illus. No. | Part No. | Qty. | Description |
|------------|----------|------|--|
| 1 | 800402 | 1 | UD-50 Lint Trap Assembly Complete (includes illus. nos. 1, 3, 4, and 5) |
| | 800404 | 1 | UD-50 Lint Trap ONLY |
| | 800407 | 1 | UD-50 Reversing Lint Trap Assembly Complete (includes illus. nos. 1, 3, 4, and 5) |
| | 800406 | 1 | UD-50 Reversing Lint Trap ONLY |
| 2 | 154200 | 7 | 5/32" Pop Rivet |
| 3 | 304101 | 1 | UD-50 Lint Screen Holder ONLY |
| 4 | 150300 | 3 | #10 x 1/2" Hex Washer TEK Screw |
| 5 | 800501 | 1 | UD-50 Lint Screen ONLY |
| 6 | 150419 | 2 | #6 x 1/2" Tamper Proof TEK Screw |
| 7 | 108120 | 1 | Chain for Drop Lint Door |
| - | 150418 | 1 | Tamper Proof Screw Hand Driver |



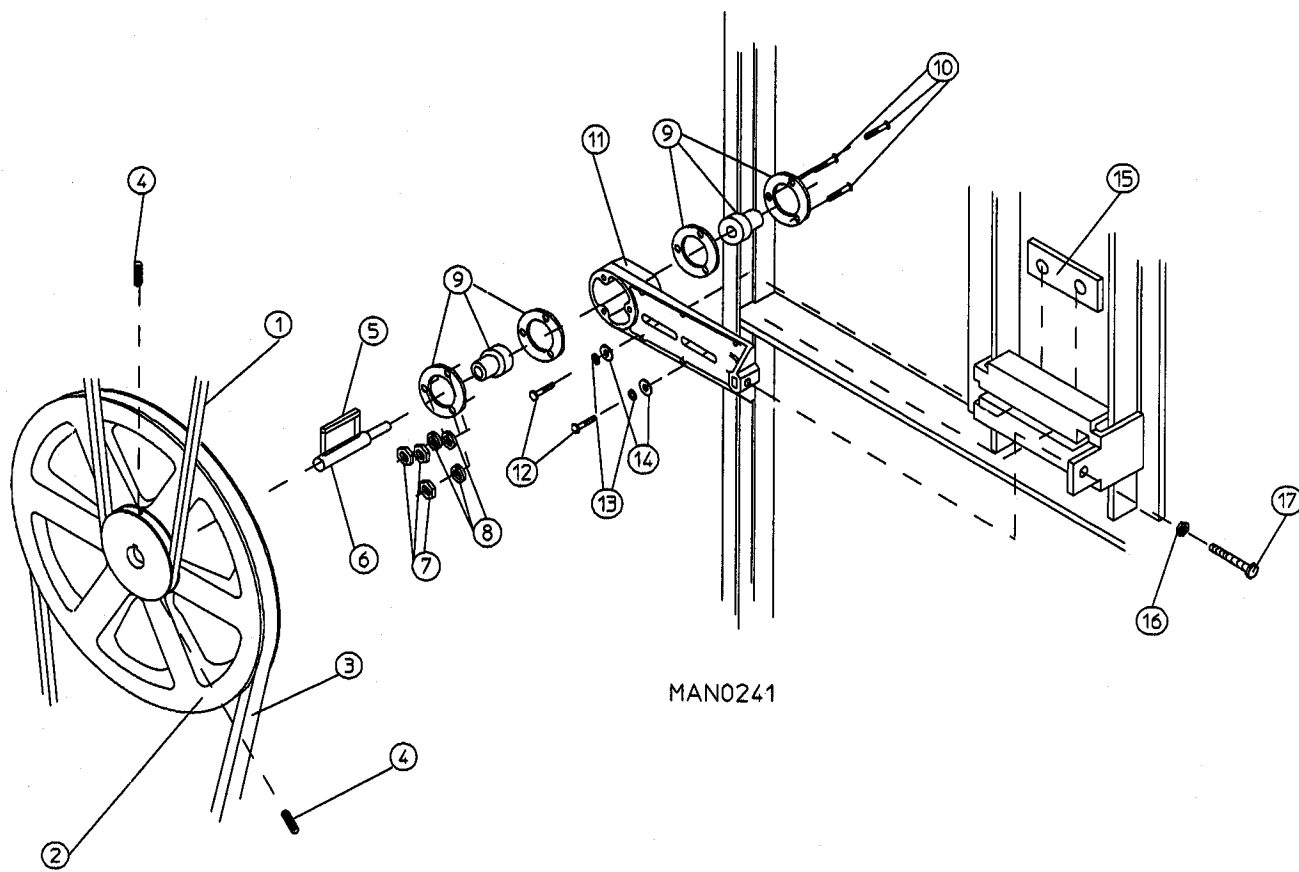
| Illus. No. | Part No. | Qty. | Description |
|------------|----------|------|---|
| 1 | 800150 | 1 | Knob Latch Kit Assembly (for Non-Coin Models) |
| | 160200 | 1 | Knob Latch with Two (2) Screws (for Non-Coin Models) |
| | 160003 | 1 | Dummy Lock Only (for Non-Coin Models) |
| | 160104 | 1 | MK-100 Key Only (optional) |
| 2 | 160008 | 1 | Lock Cam For AD-100 and Dummy Lock |
| | 160009 | 1 | Knob Latch Adjustable Cam (for Knob Latch) |
| | 150425 | 1 | #12-24 x 3/8" Round Head Machine Screw (for Knob Latch Adjustable Cam) |
| 3 | 157000 | 1 | Drop Lint Door Spring |
| 4 | 800217* | 1 | UD-50 Drop Lint Door Assembly (includes illus. nos. 4 through 8) |
| | 800235* | 1 | UD-50 Insulated Drop Lint Door Assembly (includes illus. nos. 4 through 8) |
| | 800241 | 1 | UD-50 Stainless Steel Drop Lint Door Assembly (includes illus. nos. 4 through 8) |
| 5 | 150201 | 6 | #10-32 x 1/4" Phillips Pan Head Machine Screw |
| 6 | 117600 | 7 | Noise Suppressor Tape (sold in feet) |
| 7 | 117603 | 3 | Suppressor Tape/Gasket (sold in feet) |
| 8 | 180212 | 1 | UD-50 Trim/Kick Plate (38-1/4" Long) |
| 9 | 150419 | 2 | #6 x 1/2" Tamperproof TEK Screw |
| | 150418 | 1 | Tamperproof Screw Hand Driver |
| 10 | 108120 | 1 | Chain For Drop Lint Door |

* Specify color when ordering.



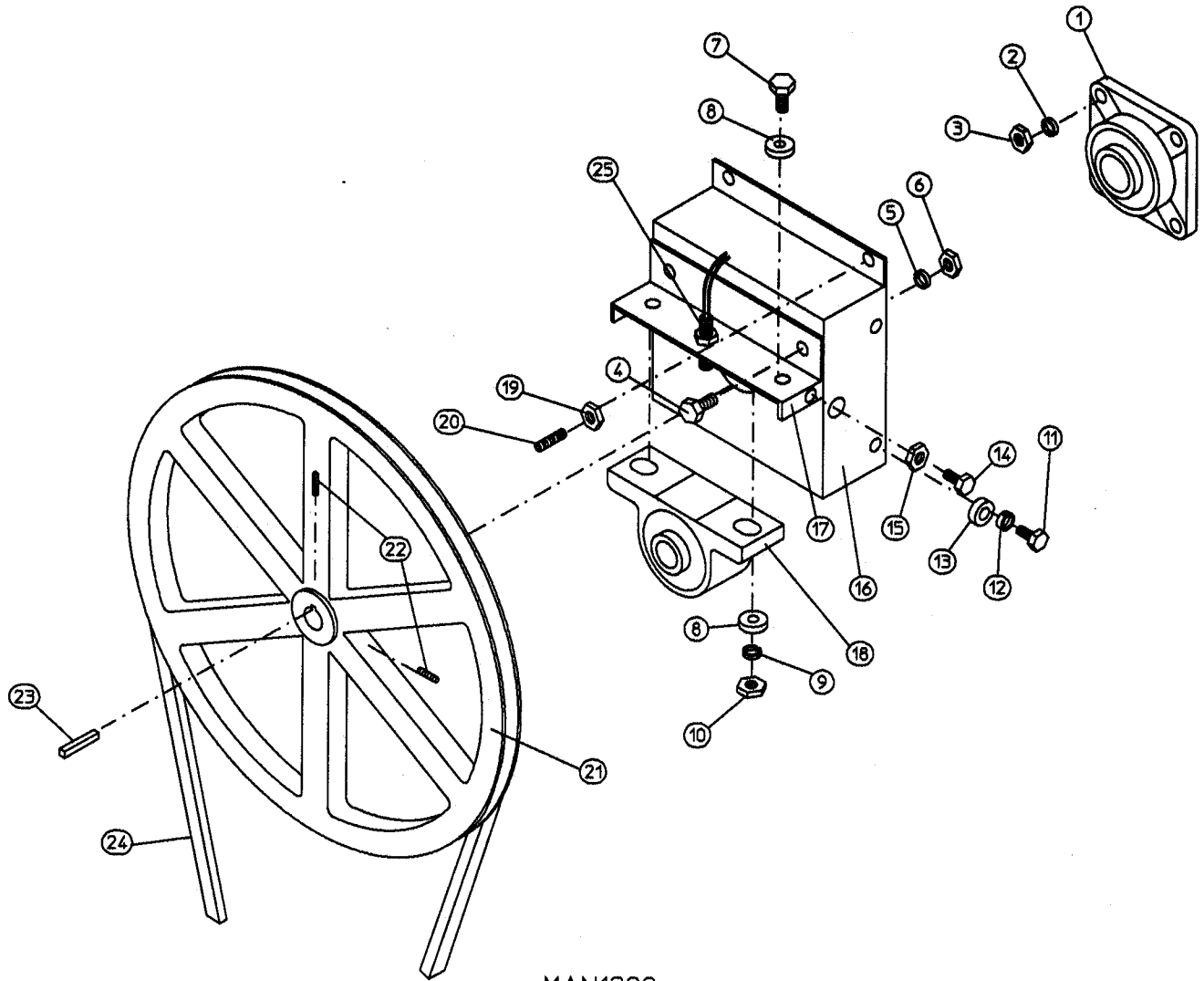
| <u>Illus. No.</u> | <u>Part No.</u> | <u>Qty.</u> | <u>Description</u> |
|-------------------|-----------------|-------------|--|
| 1* | 800706 | 1 | UD-50 Tumbler ONLY (without felt collar) |
| | 800856 | 1 | UD-50 Stainless Steel Tumbler ONLY (without felt collar) |
| | 800922 | 1 | UD-50 Non-Reversing Tumbler and Support Assembly Complete (includes illus. nos. 1 through 10) For models mfd. as of January 4, 1993 |
| | 800806 | 1 | UD-50 Non-Reversing Tumbler and Support Assembly Complete (includes illus. nos. 1 through 10) For models mfd. prior to January 4, 1993 |
| | 800894 | 1 | UD-50 Stainless Steel Non-Reversing Tumbler and Support Assembly Complete (includes illus. nos. 1 through 10) For models mfd. as of January 4, 1993 |
| | 800866 | 1 | UD-50 Stainless Steel Non-Reversing Tumbler and Support Assembly Complete (includes illus. nos. 1 through 10) For models mfd. prior to January 4, 1993 |
| | 800818 | 1 | UD-50 Reversing Tumbler and Support Assembly Complete (includes illus. nos. 1 through 10) |
| | 800875 | 1 | UD-50 Stainless Steel Reversing Tumbler and Support Assembly Complete (includes illus. nos. 1 through 10) |
| 2 | 150415 | 40 | #10-16 x 1/2" Phillips Round Head Crimptite Screw |
| 3 | 301301 | 4 | UD-50 Tumbler Rib Only |
| | 301401 | 4 | UD-50 Stainless Steel Tumbler Rib Only |
| 4 | 150500 | 1 | #5/16-18 x 3/4" Socket Button Head Screw |
| 5 | 100902 | 4 | 5/16-18 x 31" Tie Rod |
| 6 | 153001 | 4 | 5/16" Flat Washer |
| 7 | 800613 | 1 | UD-50 Non-Reversing Tumbler Support (for models mfd. as of January 4, 1993) |
| | 800606 | 1 | UD-50 Non-Reversing Tumbler Support (for models mfd. prior to January 4, 1993) |
| | 800615 | 1 | UD-50 Reversing Tumbler Support ONLY |
| 8 | 152004 | 4 | #5/16-18 Hex Nut |
| 9 | 153002 | 4 | 5/16" Lock Washer |
| 10 | 153001 | 4 | 5/16" Flat Washer |
| 11 | 116002 | 1 | Felt Collar ONLY |
| — | 401010 | 1 | #847 Adhesive for Felt Collar (5.0 oz. tube) |

* Felt collar not included and must be ordered separately.



MAN0241

| <u>Illus. No.</u> | <u>Part No.</u> | <u>Qty.</u> | <u>Description</u> |
|-------------------|-----------------|-------------|--|
| 1 | 100106 | 1 | 5L690 "V" Belt (idler to basket/tumbler) |
| 2 | 101140 | 1 | 14" x 3" Compound Pulley |
| 3 | 100114 | 1 | 4L630 "V" Belt (idler to motor) |
| 4 | 154301 | 2 | #5/16-18 x 5/16" Allen Set Screw |
| 5 | 100705 | 1 | 3/16" x 3/16" x 1-3/8" Key |
| 6 | 301850 | 1 | 5/8" x 3/4" Idler Shaft ONLY |
| 7 | 152002 | 3 | #1/4-20 Hex Nut |
| 8 | 153007 | 3 | 1/4" Lock Washer |
| 9 | 100214 | 2 | 5/8" Flange Bearing |
| 10 | 150521 | 3 | #1/4-20 x 2" Carriage Bolt |
| 11 | 801007 | 1 | Idler Bearing Assembly Complete (includes illus. nos. 5 through 17) |
| 12 | 150617 | 2 | #3/8-16 x 1" Hex Head Machine Bolt |
| 13 | 153005 | 2 | 3/8" Lock Washer |
| 14 | 153004 | 2 | 3/8" Flat Washer |
| 15 | 801009 | 1 | Idler Square Washer |
| 16 | 152004 | 1 | #5/16-18 Hex Nut |
| 17 | 150509 | 1 | #5/16-18 x 3" Hex Head Machine Bolt |

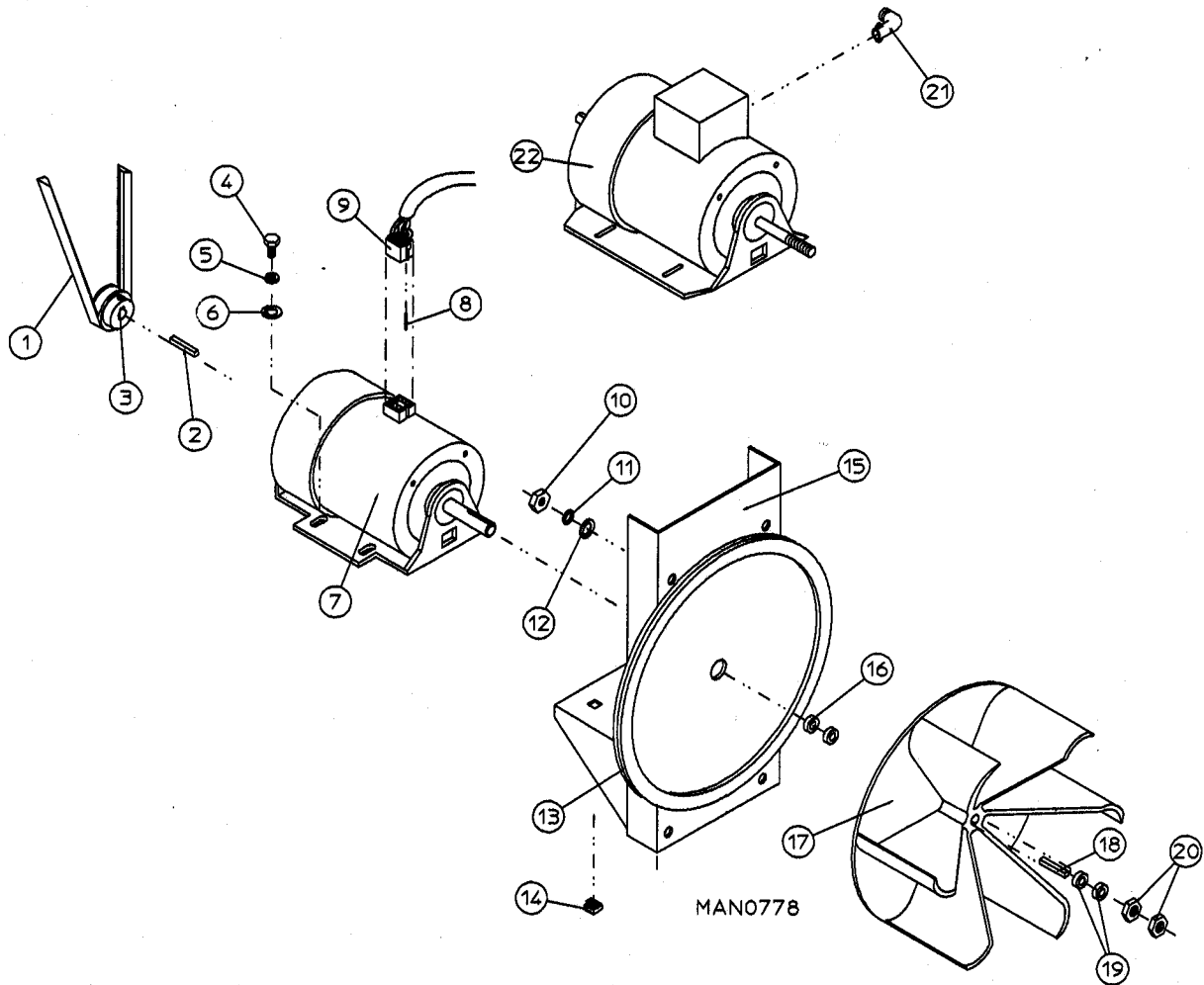


MAN1299

| Illus. No. | Part No. | Qty. | Description |
|------------|----------|------|--|
| 1 | 100203 | 1 | 1-3/8" Flange Bearing ONLY (for Non-Reversing Models ONLY) For models mfd. prior to January 4, 1993 |
| | 100220 | 1 | 1-3/4" Flange Bearing (for ALL Reversing Models and Non-Reversing Models mfd. as of January 4, 1993) |
| 2 | 153025 | 4 | 9/16" Lock Washer (for ALL Reversing Models and Non-Reversing Models mfd. as of January 4, 1993) |
| | 153005 | 4 | 3/8" Lock Washer (for Non-Reversing Models mfd. prior to January 4, 1993) |
| 3 | 152050 | 4 | #9/16-12 Hex Nut (for ALL Reversing Models and Non-Reversing Models mfd. as of January 4, 1993) |
| | 152005 | 4 | #3/8-16 Hex Nut (for Non-Reversing Models mfd. prior to January 4, 1993) |

| <u>Illus. No.</u> | <u>Part No.</u> | <u>Qty.</u> | <u>Description</u> |
|-------------------|-----------------|-------------|---|
| 4 | 150508 | 2 | #3/8-16 x 3/4" Hex Head Machine Bolt |
| 5 | 153005 | 2 | 3/8" Lock Washer |
| 6 | 152005 | 2 | #3/8-16 Hex Nut |
| 7 | 150600 | 2. | #3/8-16 x 1 1/2" Hex Head Machine Bolt |
| 8 | 153004 | * | 3/8" Flat Washer |
| 9 | 153005 | 2 | 3/8" Lock Washer |
| 10 | 152005 | 2 | #3/8-16 Hex Nut |
| 11 | 150501 | 4 | #5/16-18 x 3/4" Hex Head Machine Bolt |
| 12 | 153002 | 4 | 5/16" Lock Washer |
| 13 | 153001 | 4 | 5/16" Flat Washer |
| 14 | 150621 | 2 | #5/16-18 x 1-1/2" Hex Head Machine Bolt |
| 15 | 152004 | 2 | #5/16-18 Hex Nut |
| 16 | 801101 | 1 | 1-3/8" Bearing Box Assembly Complete (includes illus. nos. 4 through 20) For models mfd. <i>without</i> Rotational Sensor |
| | 801103 | 1 | 1-3/8" Bearing Box and Support ONLY (includes illus. nos. 4, 5, 6, 16, and 17) |
| | 801105 | 1 | 1-3/8" Bearing Box ONLY |
| 17 | 801104 | 1 | Pillow Block Bearing Support ONLY |
| 18 | 880779 | 1 | 1-3/8" Pillow Block Bearing with Magnet (for models mfd. <i>with</i> Rotational Sensor) |
| | 100202 | 1 | 1-3/8" Pillow Block Bearing ONLY |
| 19 | 152004 | 2 | #5/16-18 Hex Nut |
| 20 | 150608 | 2 | #5/16-18 x 1-1/4" Allen Set Screw |
| 21 | 101100 | 1 | 18" Pulley (for Non-Reversing Models ONLY) |
| | 101118 | 1 | 18-3/4" Pulley (for Reversing Models ONLY) |
| | 101119 | 1 | 1-3/8" Taper Lock Hub (key not included) For Reversing Models ONLY |
| | 100735 | 1 | Shaft Key (for taper lock hub) |
| 22 | 154301 | 2 | #5/16-18 x 5/16" Allen Set Screw |
| 23 | 100713 | 1 | 1/4" x 1/4" x 7/8" Key |
| 24 | 100106 | 1 | 5L690 "V" Belt (basket/tumbler to idler) |
| 25 | 824807 | 1 | Rotational Sensor Assembly |

* As required.

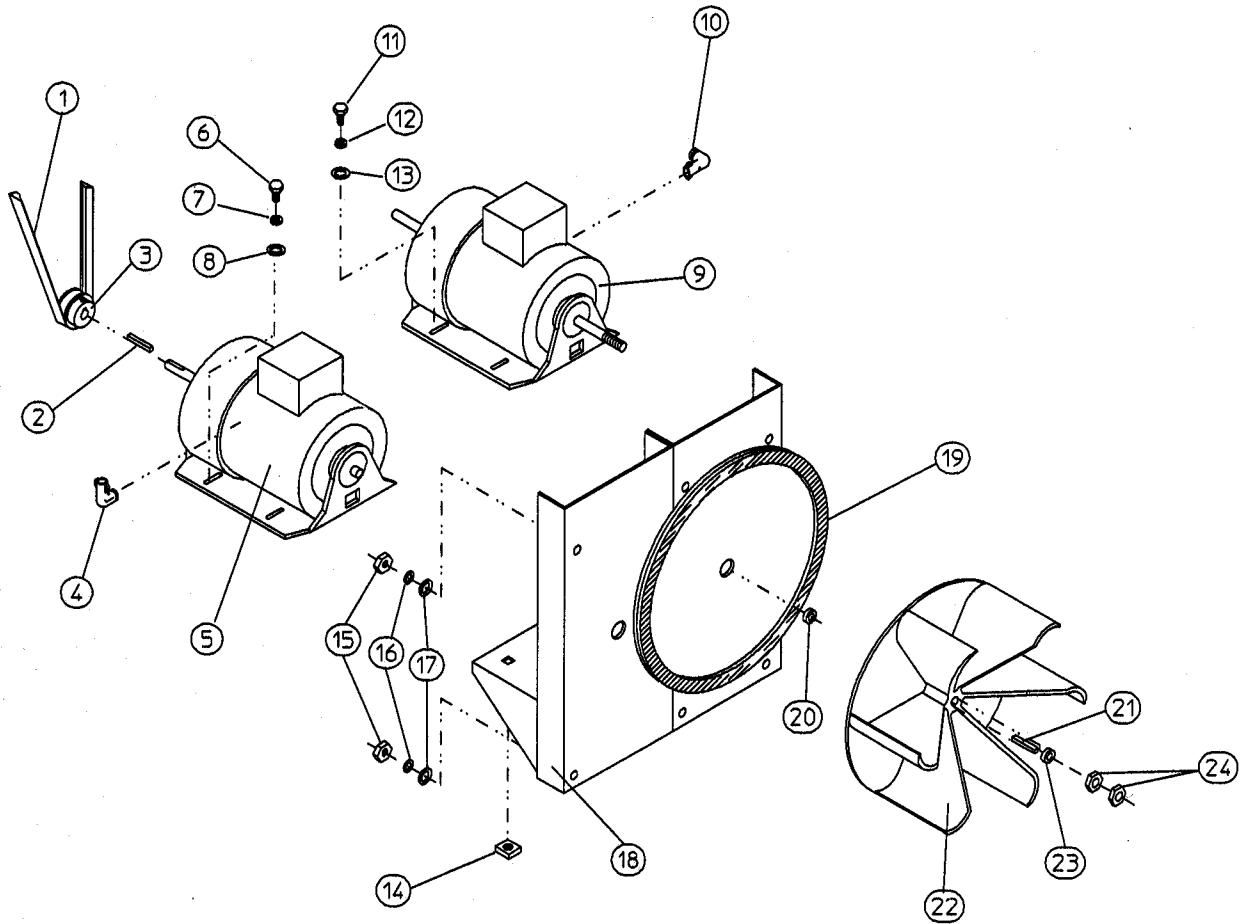


| <u>Illus. No.</u> | <u>Part No.</u> | <u>Qty.</u> | <u>Description</u> |
|-------------------|-----------------|-------------|--------------------|
|-------------------|-----------------|-------------|--------------------|

| | | | |
|---|--------|---|--|
| 1 | 100114 | 1 | 4L630 "V" Belt (to idler assembly) |
| 2 | 100701 | 1 | 3/16" x 3/16" x 1" Key (for use on 3Ø Models ONLY) |
| 3 | 101133 | 1 | 5/8" x 2-1/4" Motor Pulley (for 60 Hz Models ONLY) |
| | 101130 | 1 | 5/8" x 2-1/2" Motor Pulley (for 50 Hz Models ONLY) |
| 4 | 150501 | 4 | #5/16-18 x 3/4" Hex Head Machine Bolt |
| 5 | 153002 | 4 | 5/16" Lock Washer |
| 6 | 153001 | 4 | 5/16" Flat Washer |
| 7 | 100069 | 1 | 3/4 HP 115/230v 1Ø T.E.F.C. Motor with Plug (56Z Frame) For 60 Hz Models ONLY (for models mfd. as of September 14, 1992) |
| | 100068 | 1 | 3/4 HP 240v 1Ø T.E.F.C. Motor with Plug (56Z Frame) For 50 Hz Models ONLY (for models mfd. as of September 14, 1992) |
| 8 | 122701 | 8 | Socket Terminal ONLY |
| | 122801 | 1 | Pin/Socket Extraction Tool |
| 9 | 137030 | 1 | 8-Pin Housing Connector |

| <u>Illus. No.</u> | <u>Part No.</u> | <u>Qty.</u> | <u>Description</u> |
|-------------------|-----------------|-------------|--|
| 10 | 152004 | 4 | #5/16-18 Hex Nut |
| 11 | 153002 | 4 | 5/16" Lock Washer |
| 12 | 153001 | 4 | 5/16" Flat Washer |
| 13 | 117600 | 4 | Noise Suppressor Tape (sold in feet) |
| 14 | 154000 | 4 | #5/16-18 Tinnerman Nut |
| 15 | 800906 | 1 | Non-Reversing Motor Mount Only (56Z Frame) |
| | 803774* | 1 | 3/4 HP 115/230v 60Hz 1Ø T.E.F.C. Motor Mount Assembly Complete with Plug Motor (includes illus. nos. 3 through 7 and 13 through 20) For models mfd. as of September 14, 1992 |
| | 803772* | 1 | 3/4 HP 115/230v 60Hz 1Ø Non-Reversing T.E.F.C. Motor Mount Assembly Complete (non-pug type) (includes illus. nos. 3 through 6 and 13 through 22) For models mfd. prior to September 14, 1992 |
| | 803785 | 1 | 3/4 HP 230v 50Hz 1Ø T.E.F.C. Motor Mount Assembly Complete with Plug Motor (includes illus. nos. 3 through 7 and 13 through 20) For models mfd. as of September 14, 1992 |
| | 803778 | 1 | 3/4 HP 230v 50Hz 1Ø Non-Reversing T.E.F.C. Motor Mount Assembly Complete (non-pug type) (includes illus. nos. 3 through 6 and 13 through 22) For models mfd. prior to September 14, 1992 |
| | 803771* | 1 | 1/2 HP 208/230/380/460v 60Hz 3Ø Non-Reversing T.E.F.C. Motor Mount Assembly Complete (includes illus. nos. 2 through 6 and 13 through 22) |
| | 803776* | 1 | 1/2 HP 208/230/380/460v 50Hz 3Ø Non-Reversing T.E.F.C. Motor Mount Assembly Complete (includes illus. nos. 2 through 6 and 13 through 22) |
| 16 | 153050 | 2 | 1/2" S.A.E. Flat Washer |
| 17 | 100604 | 1 | 12-1/2" Impellor (Fan) with 1/2" Bore |
| 18 | 100702 | 1 | 1/8" x 1/8" x 1-1/2" Key |
| 19 | 153050 | 2 | 1/2" S.A.E. Flat Washer |
| 20 | 152006 | 2 | #1/2-20 Left Hand Jam Nut |
| 21 | 120200 | 1 | 3/8" x 90° Connector |
| 22 | 100033 | 1 | 3/4 HP 115/230v 1Ø T.E.F.C. Motor 56Z Frame (for 60 Hz Models ONLY) For models mfd. prior to September 14, 1992 |
| | 100034 | 1 | 3/4 HP 240v 1Ø T.E.F.C. Motor 56Z Frame (for 50 Hz Models ONLY) For models mfd. prior to September 14, 1992 |
| | 100007 | 1 | 1/2 HP 208/230/380/460v 3Ø 50/60Hz T.E.F.C. Motor |

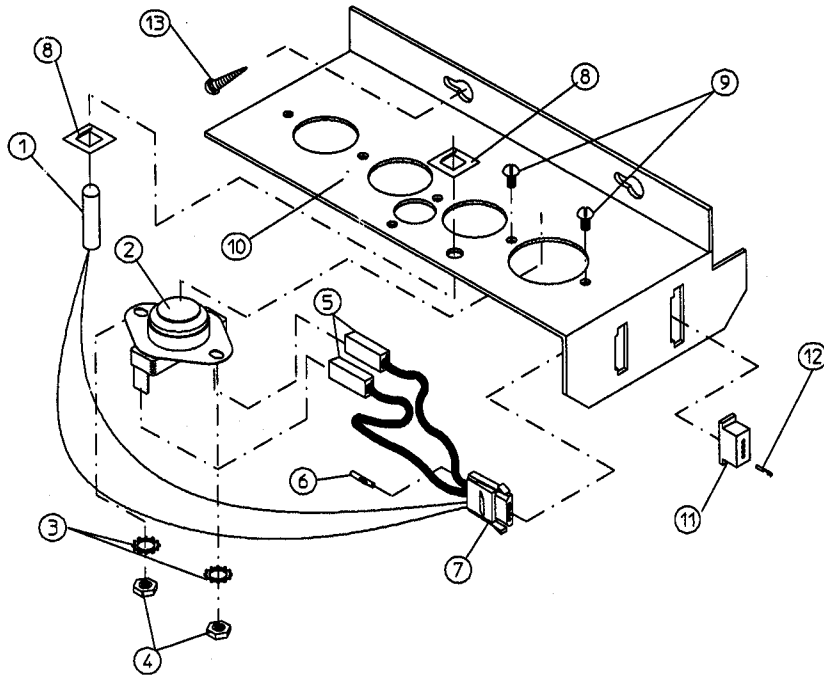
* Specify voltage when ordering.



MAN0250

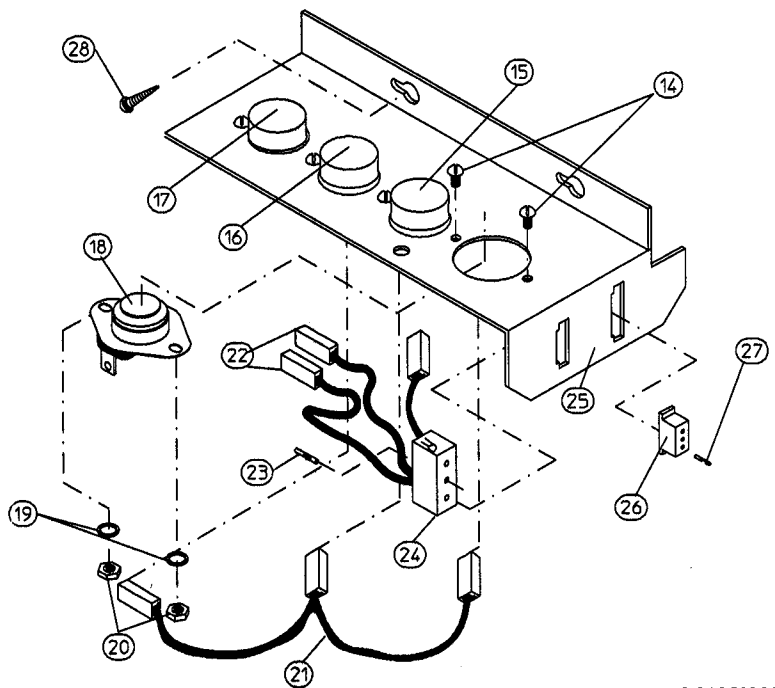
| Illus. No. | Part No. | Qty. | Description |
|------------|----------|------|---|
| 1 | 100114 | 1 | 4L630 "V" Belt (to idler assembly) |
| 2 | 100701 | 1 | 3/16" x 3/16" x 1" Key |
| 3 | 101133 | 1 | 5/8" x 2-1/4" Motor Pulley (for 60Hz Models ONLY) |
| | 101130 | 1 | 5/8" x 2-1/2" Motor Pulley (for 50Hz Models ONLY) |
| 4 | 120200 | 1 | 3/8" x 90° Connector |
| 5 | 181003 | 1 | 1/2 HP 208/230/380/460v 50/60Hz 3Ø Motor |
| 6 | 150501 | 4 | #5/16-18 x 3/4" Hex Head Machine Bolt |
| 7 | 153002 | 4 | 5/16" Lock Washer |
| 8 | 153001 | 4 | 5/16" Flat Washer |
| 9 | 100007 | 1 | 1/2 HP 208/230/380/460v 50/60Hz 3Ø T.E.F.C. Motor (56Z Frame) |
| 10 | 120200 | 1 | 3/8" x 90° Connector |
| 11 | 150501 | 4 | #5/16-18 x 3/4" Hex Head Machine Bolt |
| 12 | 153002 | 4 | 5/16" Lock Washer |
| 13 | 153001 | 4 | 5/16" Flat Washer |
| 14 | 154000 | 8 | #5/16-18 Tinnerman Nut |
| 15 | 152004 | 4 | #5/16-18 Hex Nut |
| 16 | 153002 | 4 | 5/16" Lock Washer |
| 17 | 153001 | 4 | 5/16" Flat Washer |
| 18 | 800912 | 1 | Reversing Motor Mount Only (56Z Frame) |
| | 803993* | 1 | UD-50 Reversing T.E.F.C. Motor Mount Assembly Complete (includes illus. nos. 2 through 14, and 18 through 24) For 60 Hz Models ONLY |
| | 803994* | 1 | UD-50 Reversing T.E.F.C. Motor Mount Assembly Complete (includes illus. nos. 2 through 14, and 18 through 24) For 50 Hz Models ONLY |
| 19 | 117600 | 4 | Noise Suppressor Tape (sold in feet) |
| 20 | 153050 | 2 | 1/2" S.A.E. Flat Washer |
| 21 | 100702 | 1 | 1/8" x 1/8" x 1-1/2" Key |
| 22 | 100604 | 1 | 12-1/2" Impellor (Fan) with 1/2" Bore |
| 23 | 153050 | 2 | 1/2" S.A.E. Flat Washer |
| 24 | 152006 | 2 | #1/2-20 Left Hand Jam Nut |

* Specify voltage when ordering.



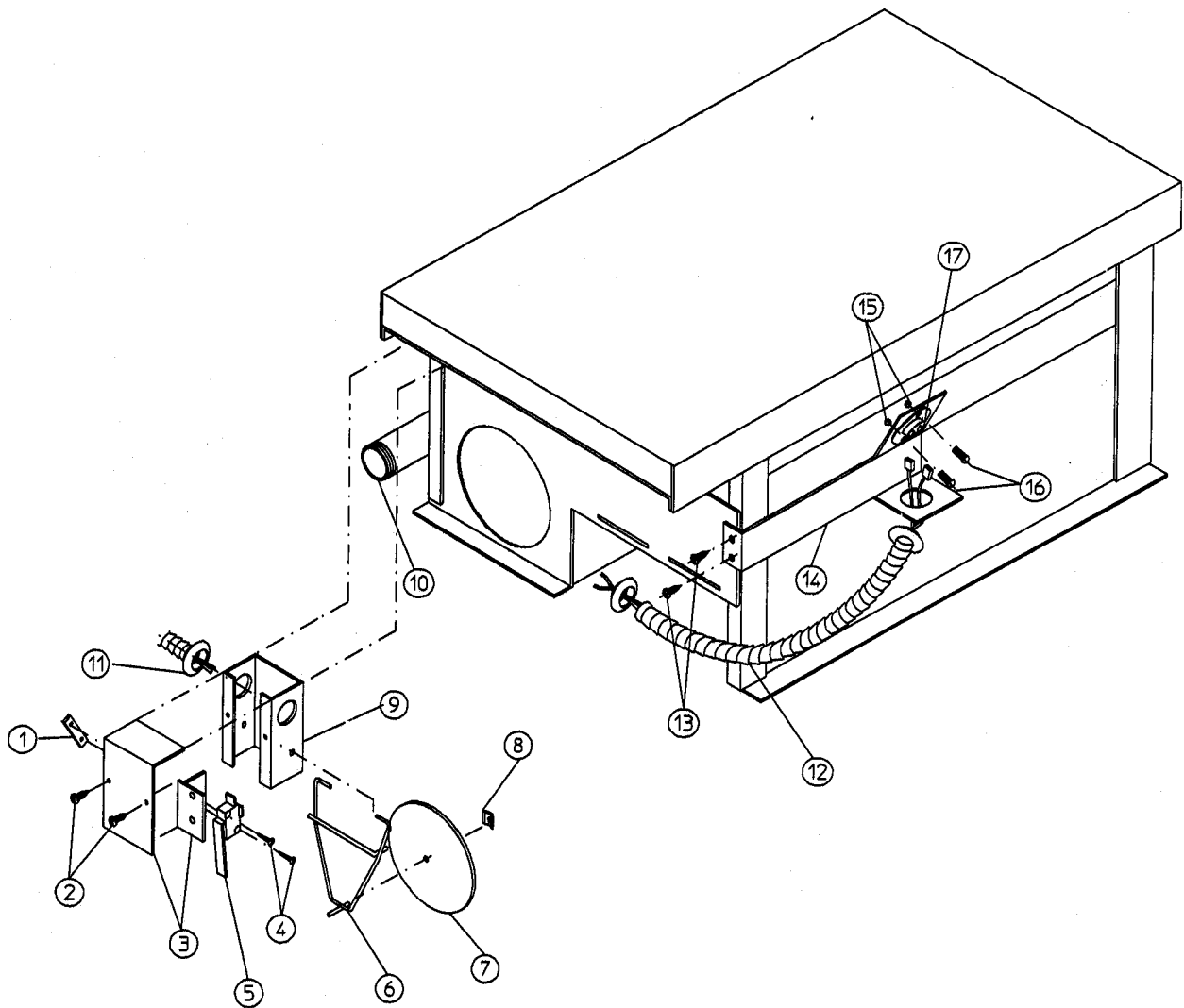
**Microprocessor
Sensor
Bracket
Assembly**

**Non-Computer
Sensor
Bracket
Assmebly**



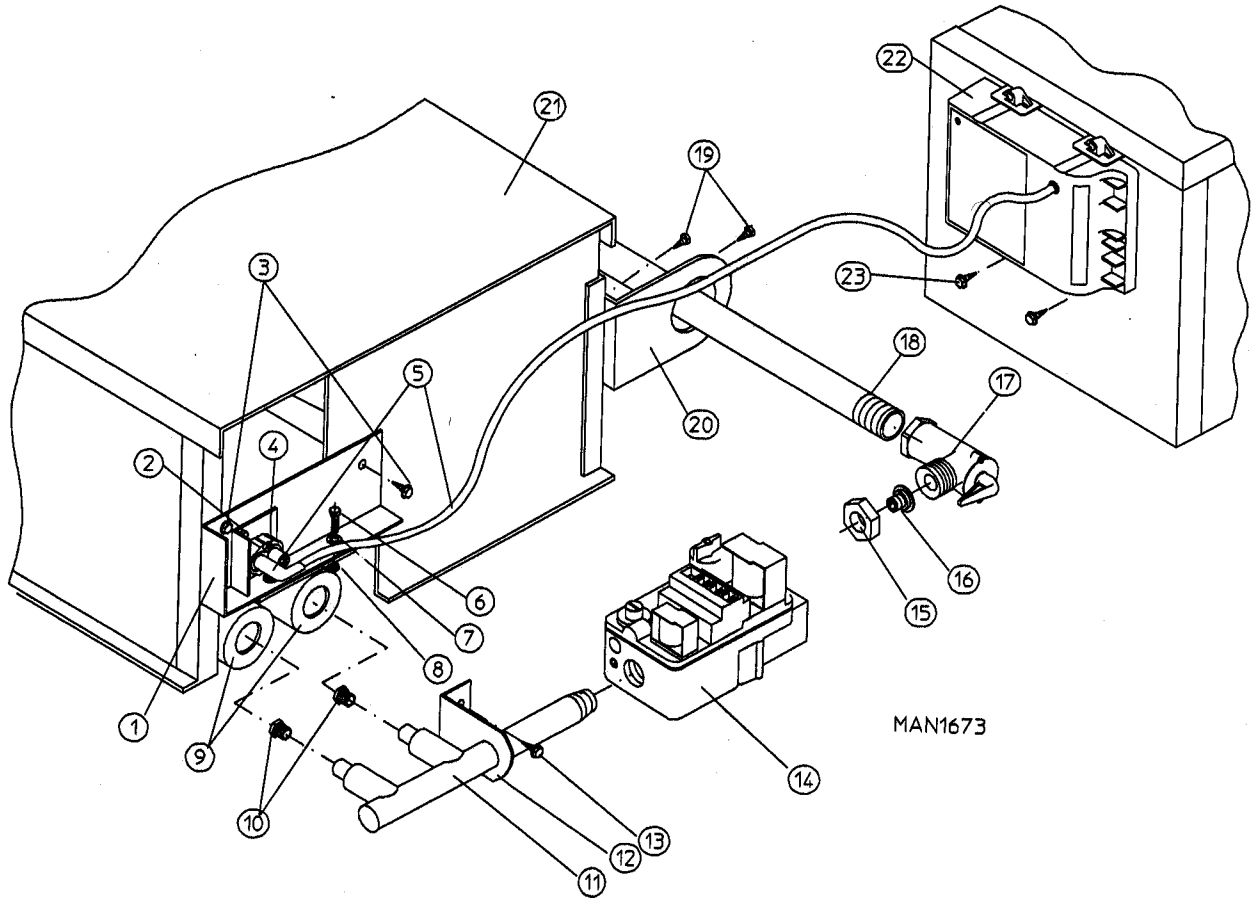
MAN0238

| <u>Illus. No.</u> | <u>Part No.</u> | <u>Qty.</u> | <u>Description</u> |
|-------------------|-----------------|-------------|--|
| 1 | 880251 | 1 | 1/4" Temperature Sensor Probe Assembly (includes illus. nos. 1 and 5 through 8) |
| 2 | 130103 | 1 | 225° Large Automatic Reset Thermostat |
| 3 | 153010 | 2 | #6 Star Washer |
| 4 | 152000 | 2 | #6-32 Hex Nut |
| 5 | 121028 | 2 | Insulated Terminal ONLY |
| 6 | 122701 | 4 | Socket Terminal ONLY |
| 7 | 122605 | 1 | 4-Pin Socket Connector ONLY |
| 8 | 154007 | 2 | 1/4" Tinnerman Push-on Fastener |
| 9 | 150005 | 2 | #6-32 x 1/4" Round Head Machine Screw |
| 10 | 801425 | 1 | Microprocessor Sensor Bracket Assembly Complete (includes illus. nos. 1 through 10) |
| | 305007 | 1 | Universal Sensor Bracket ONLY |
| 11 | 122604 | 1 | 4-Pin Connector ONLY |
| 12 | 122700 | 4 | Pin Terminal ONLY |
| 13 | 150301 | 2 | #8-18 x 7/16" Phillips Pan Head TEK Screw |
| 14 | 150005 | 5 | #6-32 x 1/4" Round Head Machine Screw |
| 15 | 130109 | 1 | 140° Large Thermostat |
| 16 | 130107 | 1 | 160° Large Thermostat |
| 17 | 130103 | 1 | 225° Large Automatic Reset Thermostat |
| 18 | 130101 | 1 | 180° Large Thermostat |
| 19 | 153010 | 5 | #6 Star Washer |
| 20 | 152000 | 5 | #6-32 Hex Nut |
| 21 | 840065 | 1 | Sensor Jumper (4) ONLY |
| 22 | 121028 | 8 | Insulated Terminal ONLY |
| 23 | 122701 | 4 | Socket Terminal ONLY |
| 24 | 122605 | 1 | 4-Pin Socket Connector ONLY |
| | 840062 | 1 | Sensor (4) Bracket Harness Assembly (includes illus. nos. 22, 23, and 24) |
| 25 | 801411 | 1 | Non-Computer Sensor (4) Bracket Assembly Complete with Thermostats (includes illus. nos. 14 through 25) |
| | 305007 | 1 | Universal Sensor Bracket ONLY |
| 26 | 122604 | 1 | 4-Pin Connector ONLY |
| 27 | 122700 | 4 | Pin Terminal ONLY |
| | 122801 | 1 | Pin/Socket Extraction Tool |
| 28 | 150301 | 2 | #8-18 x 7/16" Phillips Pan Head TEK Screw |



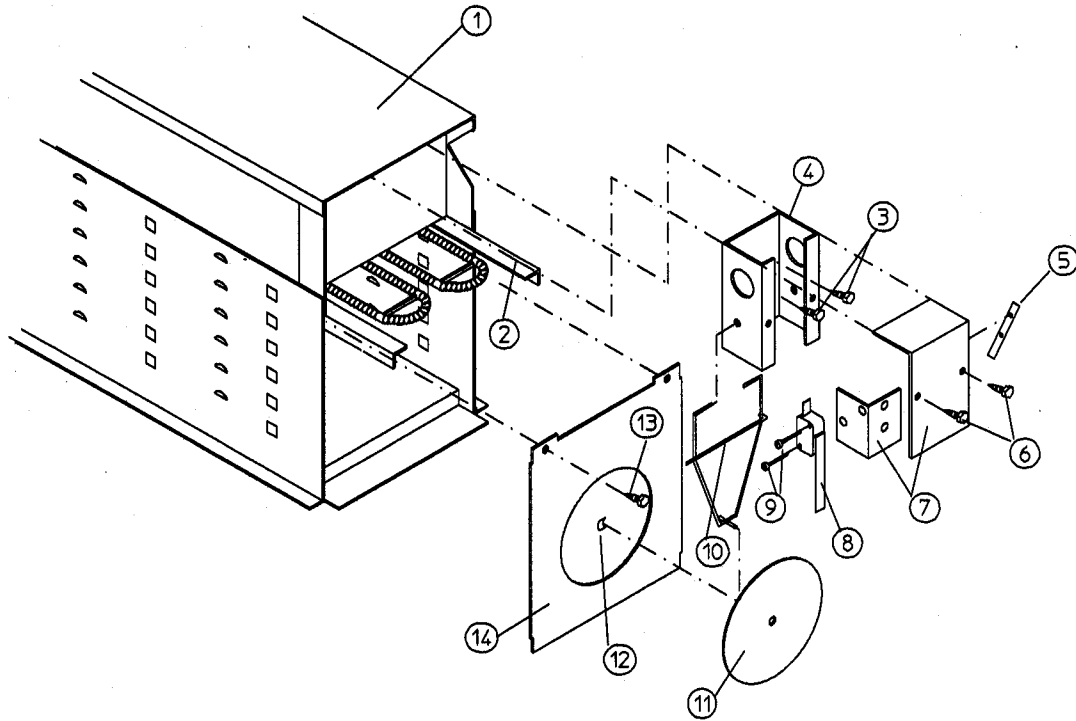
MAN0270

| <u>Illus. No.</u> | <u>Part No.</u> | <u>Qty.</u> | <u>Description</u> |
|-------------------|-----------------|-------------|---|
| 1 | 154004 | 1 | Twin Speed Nut |
| 2 | 150415 | 2 | #10-16 x 1/2" Phillips Round Head Crimptite Screw |
| 3 | 802799 | 1 | Sail Switch Box Cover and Bracket ONLY |
| 4 | 150303 | 2 | #4 x 3/4" Phillips Head "A" Machine Screw |
| 5 | 122200 | 1 | Sail Switch ONLY |
| 6 | 105500 | 1 | Sail Switch Actuator Rod |
| 7 | 319202 | 1 | Sail Switch Damper (Flat) |
| 8 | 154002 | 1 | 1/8" Push-On Fastener |
| 9 | 802800 | 1 | Sail Switch Box with Cover and Bracket ONLY |
| | 802801 | 1 | Sail Switch Box Assembly Complete (includes illus. nos. 1 through 9) |
| 10 | 142809 | 1 | 1/2" x 29 1/8" Pipe |
| 11 | 824526 | 1 | Sail Switch Harness |
| 12 | 824533 | 1 | Hi-Limit Harness |
| 13 | 150415 | 2 | #10-16 x 1/2" Phillips Round Head Crimptite Screw |
| 14 | 319704 | 1 | Hi-Limit Mounting Bracket ONLY |
| 15 | 151000 | 2 | #6-32 Pal Nut |
| 16 | 151001 | 2 | #6-32 x 1/2" Round Head Machine Screw |
| 17 | 130401 | 1 | 330° Hi-Limit ONLY |

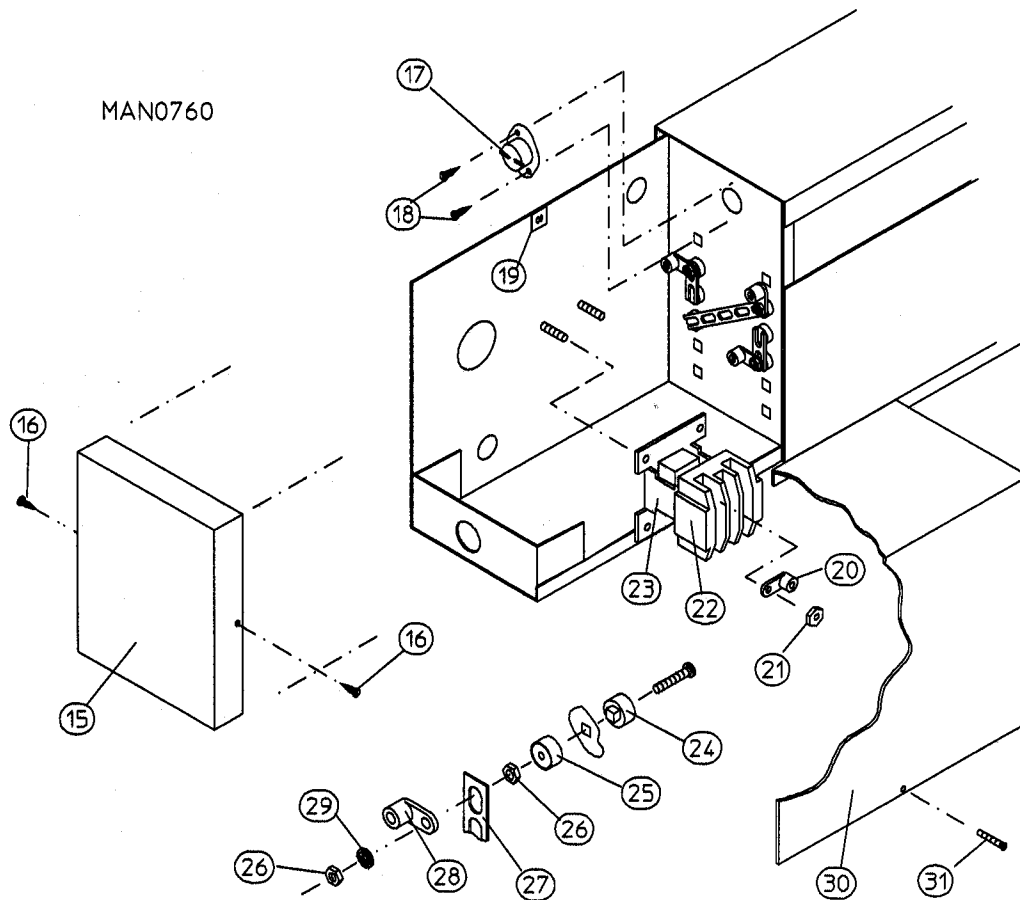


| Illus. No. | Part No. | Qty. | Description |
|------------|----------|------|---|
| 1 | 318030 | 1 | DSI Burner Shield (2-Tube) For Heat Reclaimer Models ONLY |
| | 318104 | 1 | DSI Burner Shield (3-Tube) For Non-Heat Reclaimer Models ONLY |
| 2 | 150300 | 2 | #10 x 1/2" Hex Washer TEK Screw |
| 3 | 150415 | 2 | #10-16 x 1/2" Phillips Round Head Crimptite Screw |
| 4 | 128915 | 1 | DSI Ignitor/Flame Probe Assembly |
| | 880134 | 1 | Ignitor/Flame Probe Kit Assembly (includes illus. nos. 4 and 5) |
| 5 | 880330 | 1 | HV (high voltage) Wire and Connector Assembly |

| <u>Illus. No.</u> | <u>Part No.</u> | <u>Qty.</u> | <u>Description</u> |
|-------------------|-----------------|-------------|--|
| 6 | 150103 | 2 or 3 | #8-32 x 1/2" Pan Head Machine Screw |
| 7 | 153000 | 2 or 3 | #8 Steel Burr |
| 8 | 151001 | 2 or 3 | #8-32 Pal Nut |
| 9 | 141105 | 2 or 3 | Large Tube Burner ONLY |
| 10 | ----- | 2 or 3 | Burner Orifice (refer to DSI Burner Orifice Listing on page 42) |
| 11 | 141230 | 1 | 1/2" DSI Manifold (2-Port) For Heat Reclaimer Models ONLY |
| | 141232 | 1 | 1/2" DSI Manifold (3-Port) For Non-Heat Reclaimer Models ONLY |
| 12 | 318700 | 1 | Pipe Bracket (bent) |
| 13 | 150300 | 2 | #10 x 1/2" Hex Washer TEK Screw |
| 14 | 128927 | 1 | 1/2" 24 VAC Redundant (natural gas) Gas Valve |
| | 140411 | 1 | 1/2" Valve Conversion Kit (liquid propane) |
| | 880960 | 1 | 1/2" 24 VAC DSI (L.P.) Gas Valve Assembly (includes Part No. 140411 assembled into Part No. 128927 Gas Valve) |
| 15 | 141325 | 1 | Tail Piece Collar ONLY |
| 16 | 141303 | 1 | 1/2" Union Tail Piece ONLY |
| 17 | 141305 | 1 | Union Shut-off Body ONLY |
| 18 | 142809 | 1 | 1/2" x 29-1/8" Pipe |
| 19 | 150415 | 4 | #10-16 x 1/2" Phillips Round Head Crimptite Screw |
| 20 | 318700 | 2 | Pipe Bracket (bent) |
| 21 | 850852 | 1 | Non-Heat Reclaimer Burner Box ONLY |
| | 850863 | 1 | Heat Reclaimer Burner Box ONLY |
| | ----- | 1 | Burner Assembly Complete less Orifice (refer to DSI Burner Assembly Listing on page 42) |
| 22 | 880815 | 1 | ADC DSI Module ONLY (50/60 Hz) |
| 23 | 150299 | 4 | #10 x 1" Hex Washer TEK Screw |
| -- | ----- | 1 | Conversion Kit (refer to DSI L.P. Conversion Kit Listing on page 42) |
| -- | 410001 | 1 | 1/2" Allen Wrench (for removal of 1/2" Union Tail Piece - Part No. 141303) |



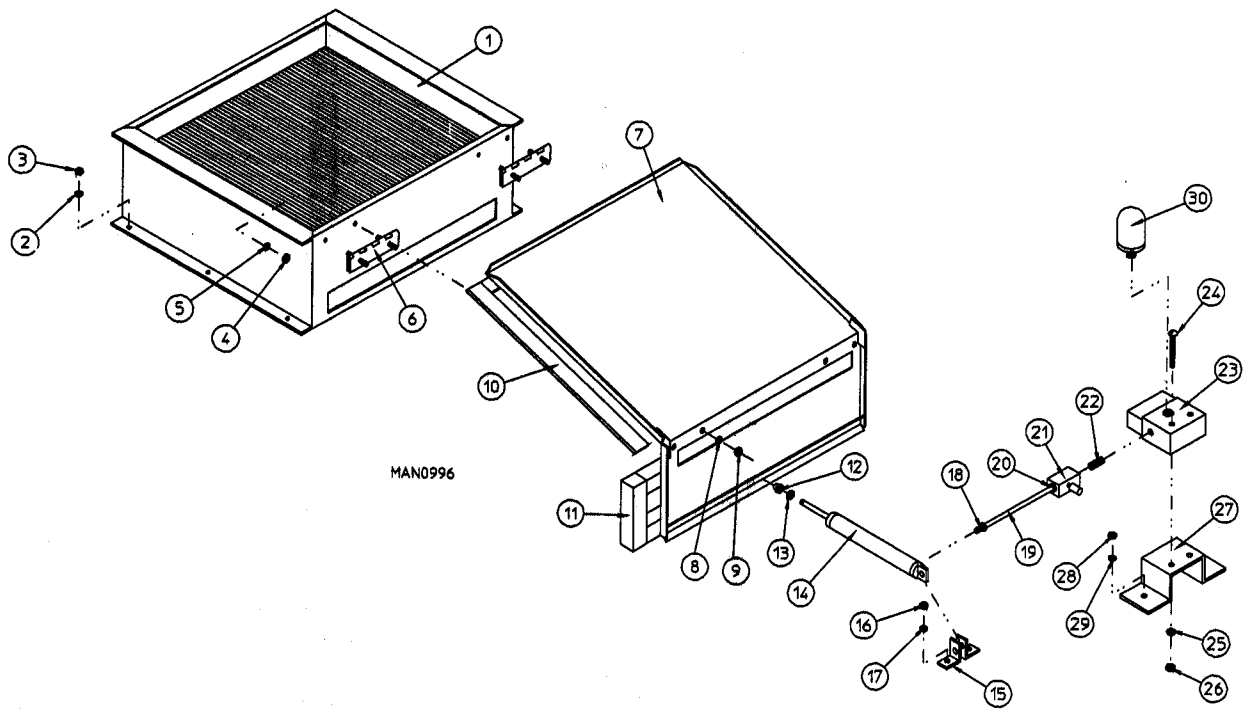
ELECTRIC OVEN (FRONT VIEW)



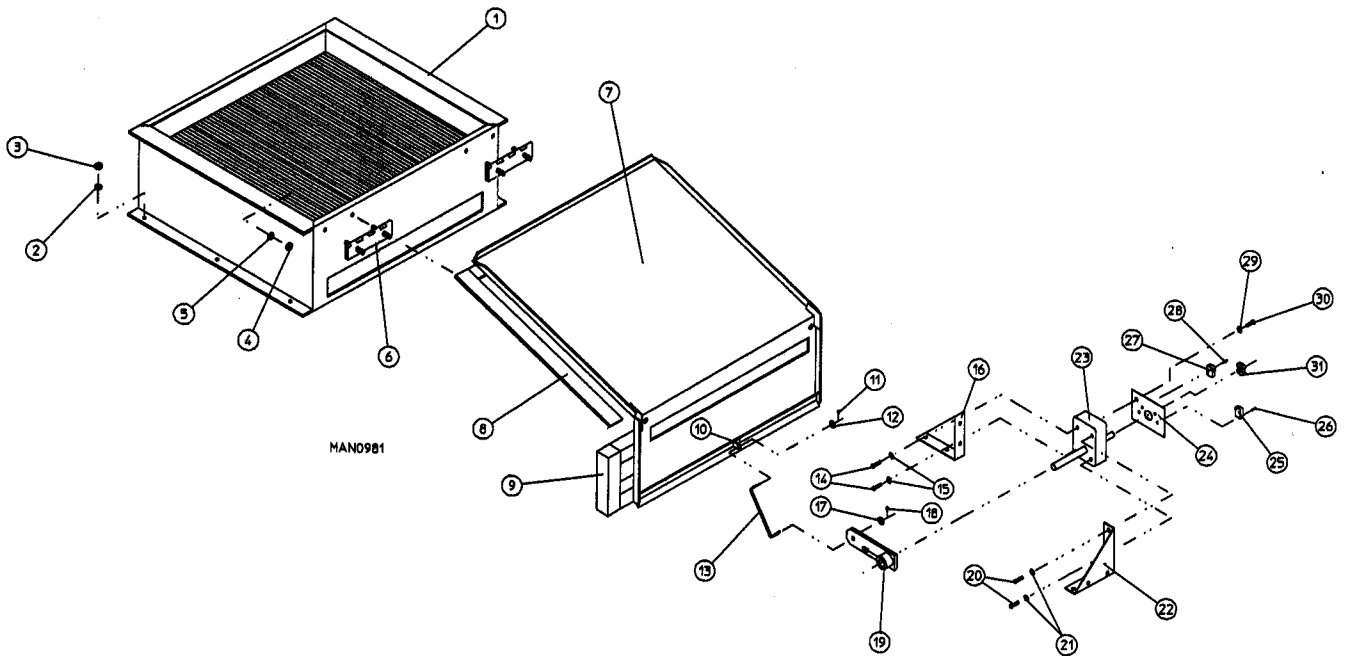
ELECTRIC OVEN (REAR VIEW)

| Illus. No. | Part No. | Qty. | Description |
|------------|----------|------|--|
| 1 | 803006* | 1 | Large Electric Oven Box ONLY |
| | ----- | 1 | Electric Oven Assembly Complete |
| 2 | ----- | - | Electric Element |
| 3 | 150300 | 2 | #10 x 1/2" Hex Washer TEK Screw |
| 4 | 802800 | 1 | Sail Switch Box with Cover and Bracket ONLY |
| | 802801 | 1 | Sail Switch Box Assembly Complete (includes illus. nos. 4 through 12) |
| 5 | 154004 | 1 | Twin Speed Nut |
| 6 | 150415 | 2 | #10-16 x 1/2" Phillips Round Head Crimptite Screw |
| 7 | 802799 | 1 | Sail Switch Box Cover ONLY |
| 8 | 122200 | 1 | Sail Switch |
| 9 | 150303 | 2 | #4 x 3/4" Pan Head "A" Machine Screw |
| 10 | 105500 | 1 | Sail Switch Actuator Rod |
| 11 | 319202 | 1 | Sail Switch Damper (flat) |
| 12 | 154002 | 1 | 1/8" Push-On Fastener |
| 13 | 150300 | 2 | #10 x 1/2" Hex Washer TEK Screw |
| 14 | 803100 | 1 | Electric Oven Front Cover ONLY |
| 15 | 320611 | 1 | Large Relay Box Cover ONLY |
| 16 | 150402 | 2 | #10-24 x 5/8" Slotted Truss Head Machine Screw |
| 17 | 130400 | 1 | 290° Hi-Limit ONLY |
| 18 | 150300 | 2 | #10 x 1/2" Hex Washer TEK Screw |
| 19 | 154001 | 2 | #10-24 Speed Nut |
| 20 | 121010 | 1 | L-70 Ground Lug |
| 21 | 152014 | 3 | #1/4-20 Free Spin Wash Nut |
| 22 | -----* | 1 | Oven Relay |
| 23 | -----* | 1 | Oven Relay Replacement Coil |
| 24 | 120081 | - | Internal Ceramic Insulator (2 per element) |
| 25 | 120080 | - | External Ceramic Insulator (2 per element) |
| 26 | 152008 | - | #10-32 Hex Nut (4 per element) |
| 27 | 121011* | - | Bus Bar |
| 28 | -----* | - | Terminal Lug |
| 29 | 153009 | - | #10 Star Washer (2 per element) |
| 30 | 320607 | 1 | Large Electric Oven Right Side Cover ONLY |
| 31 | 150402 | 2 | #10-24 x 5/8" Slotted Truss Head Machine Screw |

* Refer to UDE-50 Electric Oven Component Application Chart on page 43.

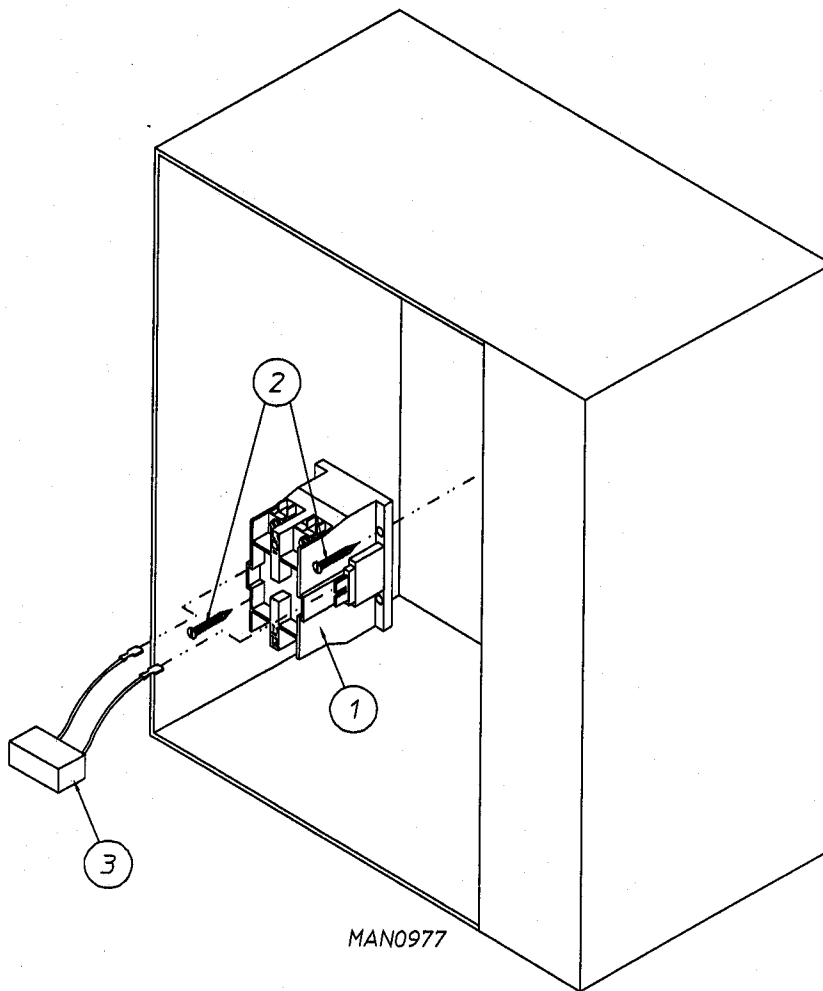


| <u>Illus. No.</u> | <u>Part No.</u> | <u>Qty.</u> | <u>Description</u> |
|-------------------|-----------------|-------------|--|
| 1 | 165011 | 1 | UDS-50 Steam Coil Assembly |
| 2 | 153002 | 6 | 5/16" Lock Washer |
| 3 | 152004 | 6 | #5/16-18 Hex Nut |
| 4 | 152002 | 4 | #1/4-20 Hex Nut |
| 5 | 153007 | 4 | 1/4" Lock Washer |
| 6 | 820321 | 2 | Steam Damper Hinge Assembly |
| 7 | 803416 | 1 | UDS-50 Steam Damper Assembly (includes illus. nos. 7, 10, and 11) |
| 8 | 153007 | 4 | 1/4" Lock Washer |
| 9 | 152002 | 4 | #1/4-20 Hex Nut |
| 10 | 115995 | 66 | Steam Damper Gasket (sold by the inch) |
| 11 | 102350 | 1 | 68-1/2" Steam Damper Foam |
| 12 | 151006 | 1 | #5/16-24 Stainless Steel Acorn Nut |
| 13 | 152051 | 1 | #5/16-24 Right Hand Jam Nut |
| 14 | 100495 | 1 | 11/16" Dia. x 3" Stroke Piston |
| 15 | 323365 | 2 | Left and Right Piston Support |
| 16 | 152002 | 2 | #1/4-20 Hex Nut |
| 17 | 153007 | 2 | 1/4" Lock Washer |
| 18 | 100472 | 1 | 1/4" Poly x 1/8" MPT Connector |
| 19 | 143110 | 1 | 1/4" Poly Flow Tubing |
| 20 | 100472 | 1 | 1/4" Poly x 1/8" MPT Connector |
| 21 | 100496 | 1 | 1/8" Needle Valve |
| 22 | 143238 | 1 | 1/8" Brass Close Nipple |
| 23 | 100498 | 1 | 3-Way Micro Valve - 24 VAC |
| 24 | 150002 | 2 | #6-32 x 1" Machine Bolt |
| 25 | 153010 | 2 | #6 Star Washer |
| 26 | 152000 | 2 | #6-32 Hex Nut |
| 27 | 330987 | 1 | Micro Valve Support |
| 28 | 152002 | 2 | #1/4-20 Hex Nut |
| 29 | 153007 | 2 | 1/4" Lock Washer |
| 30 | 100520 | 1 | 1/8" N.P.T. Silencer (muffler) #N-25 |

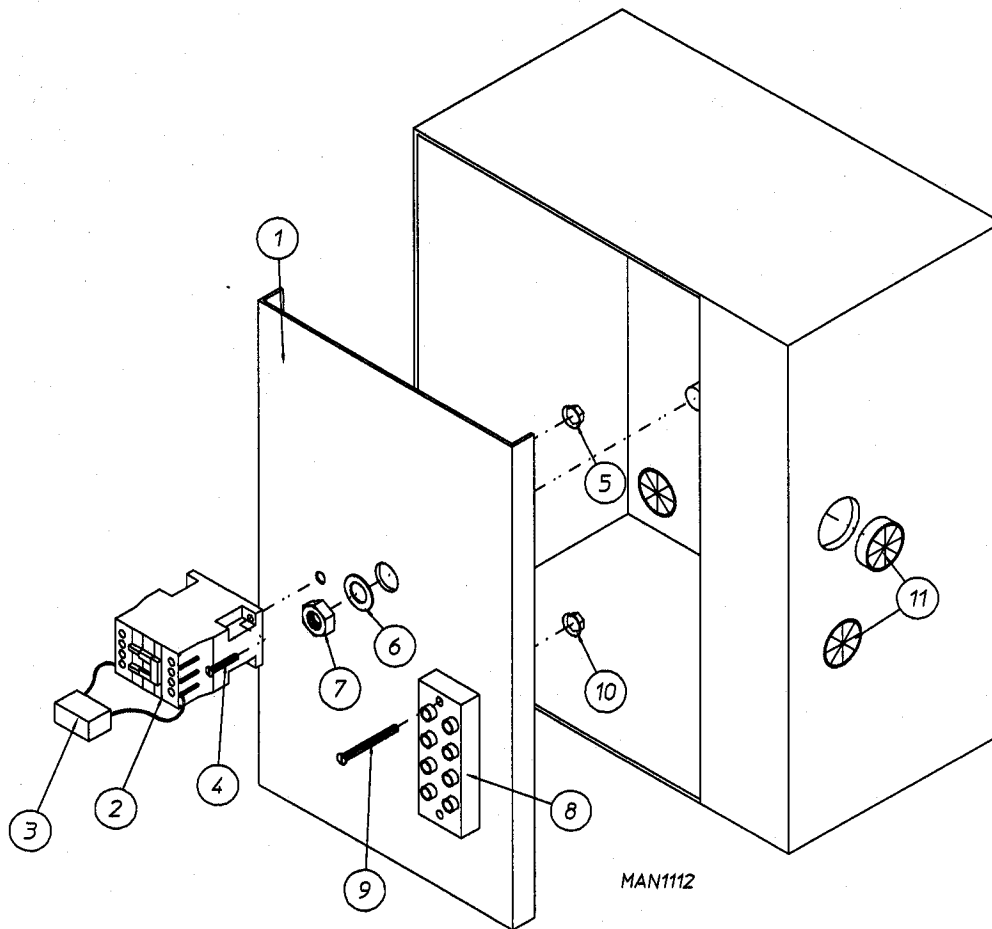


| <u>Illus. No.</u> | <u>Part No.</u> | <u>Qty.</u> | <u>Description</u> |
|-------------------|-----------------|-------------|---|
| 1 | 165011 | 1 | UDS-50 Steam Coil Assembly |
| 2 | 153002 | 6 | 5/16" Lock Washer |
| 3 | 152004 | 6 | #5/16-18 Hex Nut |
| 4 | 152002 | 4 | #1/4-20 Hex Nut |
| 5 | 153007 | 4 | 1/4" Lock Washer |
| 6 | 820321 | 2 | Steam Damper Hinge Assembly |
| 7 | 880781 | 1 | UDS-50 Steam Damper Assembly (includes illus. nos. 7 through 10) |
| 8 | 115995 | 66 | Steam Damper Gasket (sold by the inch) |
| 9 | 102350 | 1 | 68-1/2" Steam Damper Foam |
| 10 | 309300 | 1 | Rod Bracket |
| 11 | 154300 | 1 | 1/2" x 3/32" Cotter Pin |
| 12 | 153022 | 1 | #10 Steel Burr |
| 13 | 104052 | 1 | Mechanical Steam Damper Actuator Rod |
| 14 | 150110 | 2 | #8-32 x 1/4" Phillips Head Machine Screw |
| 15 | 153012 | 2 | #8 Star Washer |
| 16 | 312315 | 1 | Mechanical Steam Damper Motor Mount |
| 17 | 153022 | 1 | #10 Steel Burr |
| 18 | 154300 | 1 | 1/2" x 3/32" Cotter Pin |
| 19 | 850268 | 1 | Mechanical Steam Damper Arm |
| 20 | 150110 | 2 | #8-32 x 1/4" Phillips Head Machine Screw |
| 21 | 153012 | 2 | #8 Star Washer |
| 22 | 312315 | 1 | Mechanical Steam Damper Motor Mount |
| 23 | 104054 | 1 | Mechanical Steam Damper Motor |
| 24 | 100511 | 1 | Mechanical Steam Damper Switch Plate |
| 25 | 122120 | 1 | Mechanical Steam Damper Switch |
| 26 | 150026 | 2 | #4-40 x 5/8" Phillips Pan Head Machine Screw |
| 27 | 122120 | 1 | Mechanical Steam Damper Switch |
| 28 | 150026 | 2 | #4-40 x 5/8" Phillips Pan Head Machine Screw |
| 29 | 153012 | 2 | #8 Star Washer |
| 30 | 150102 | 2 | #8-32 x 3/8" Pan Head Machine Screw |
| 31 | -----* | 1 | Mechanical Steam Damper Motor Cam |

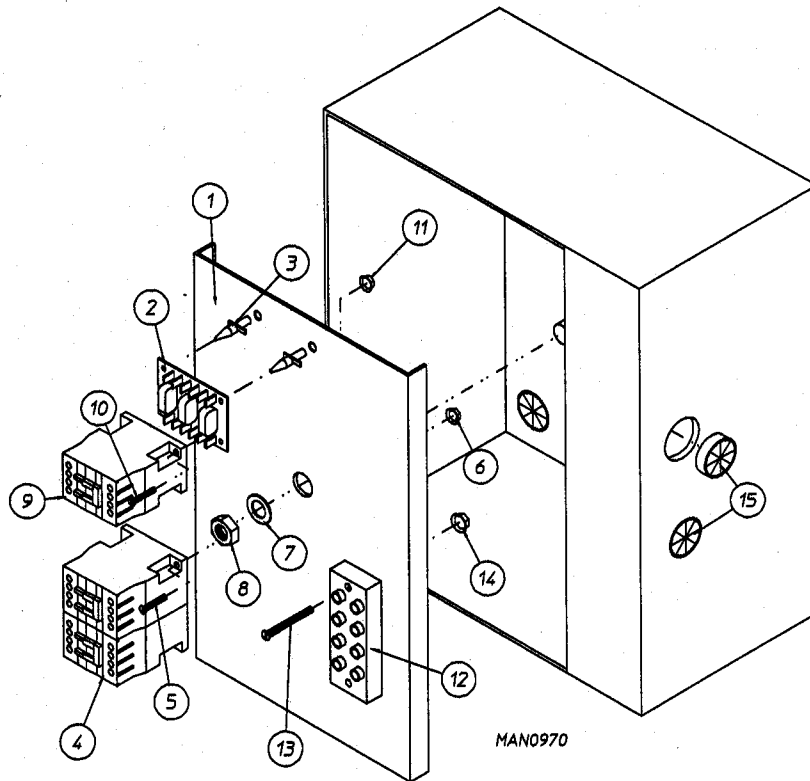
* The Mechanical Steam Damper Motor Cam is part of the Mechanical Steam Damper Motor.



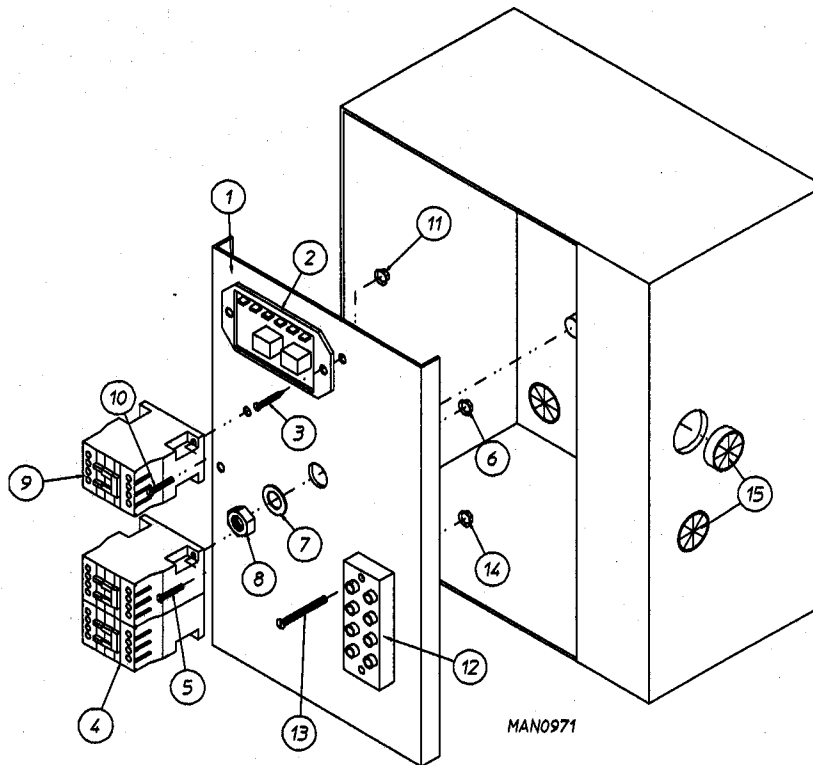
| Illus. No. | Part No. | Qty. | Description |
|------------|----------|------|--|
| 1 | 132451 | 1 | 2-Pole Contactor - 24 VAC |
| 2 | 150299 | 2 | #10 x 1" Hex Washer TEK Screw |
| 3 | 824828 | 1 | RC Network With Connectors (for Microprocessor Models ONLY) |
| - | 322809 | 1 | Back Electrical Box Cover ... Not Illustrated |
| - | 150301 | 4 | #8-18 x 7/16" Phillips Pan Head TEK Screw ... Not Illustrated |



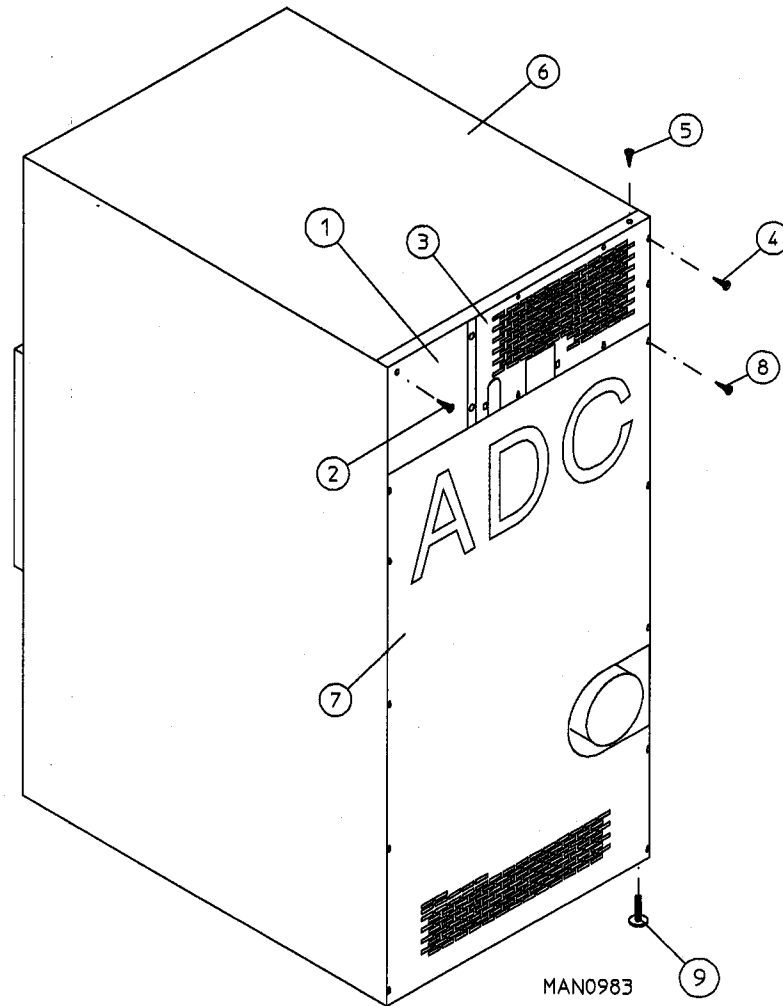
| Illus. No. | Part No. | Qty. | Description |
|------------|----------|------|---|
| 1 | 322812 | 1 | Back Electrical Box Component Mounting Plate |
| 2 | 132430 | 1 | Impellor Contactor - 24 VAC (208/230/240v, 50/60Hz) |
| | 132432 | 1 | Impellor Contactor Replacement Coil - 24 VAC (208/230/240v, 50/60Hz) |
| 3 | 137015 | 1 | RC Network (for Microprocessor Models ONLY) |
| 4 | 150103 | 2 | #8-32 x 3/4" Phillips Round Head Machine Screw |
| 5 | 151001 | 2 | #8-32 Pal Nut |
| 6 | 153002 | 1 | 5/16" Lock Washer |
| 7 | 152004 | 1 | #5/16-18 Hex Nut |
| 8 | 120701 | 1 | 4-Position Terminal Block |
| 9 | 150008 | 2 | #6-32 x 1-1/4" Slotted Round Head Machine Screw |
| 10 | 151000 | 2 | #6-32 Pal Nut |
| 11 | 121300 | 3 | Open/Close Bushing |
| -- | 322809 | 1 | Back Electrical Box Cover ... Not Illustrated |
| -- | 150301 | 4 | #8-18 x 7/16" Phillips Pan Head TEK Screw ... Not Illustrated |



| Illus. No. | Part No. | Qty. | Description |
|------------|----------|------|--|
| 1 | 322812 | 1 | Back Electrical Box Component Mounting Plate |
| 2 | 137060 | 1 | Arc Suppressor (AS) Board |
| 3 | 137013 | 4 | Nylon Standoff |
| 4 | 132431 | 1 | Reversing Contactor - 24 VAC (208/230/240v, 50/60Hz) |
| | 132432 | 2 | Reversing Contactor Replacement Coil - 24 VAC (208/230/240v, 50/60Hz) |
| 5 | 150103 | 2 | #8-32 x 3/4" Phillips Round Head Machine Screw |
| 6 | 151001 | 2 | #8-32 Pal Nut |
| 7 | 153002 | 1 | 5/16" Lock Washer |
| 8 | 152004 | 1 | 5/16-18 Hex Nut |
| 9 | 132430 | 1 | Impellor Contactor - 24 VAC (208/230/240v, 50/60Hz) |
| | 132432 | 1 | Impellor Contactor Replacement Coil - 24 VAC (208/230/240v, 50/60Hz) |
| 10 | 150103 | 2 | #8-32 x 3/4" Phillips Round Head Machine Screw |
| 11 | 151001 | 2 | #8-32 Pal Nut |
| 12 | 120701 | 1 | 4-Position Terminal Block |
| 13 | 150008 | 2 | #6-32 x 1-1/4" Slotted Round Head Machine Screw |
| 14 | 151000 | 2 | #6-32 Pal Nut |
| 15 | 121300 | 3 | Open/Close Bushing |
| -- | 322809 | 1 | Back Electrical Box Cover ... Not Illustrated |
| -- | 150301 | 4 | #8-18 x 7/16" Phillips Pan Head TEK Screw ... Not Illustrated |

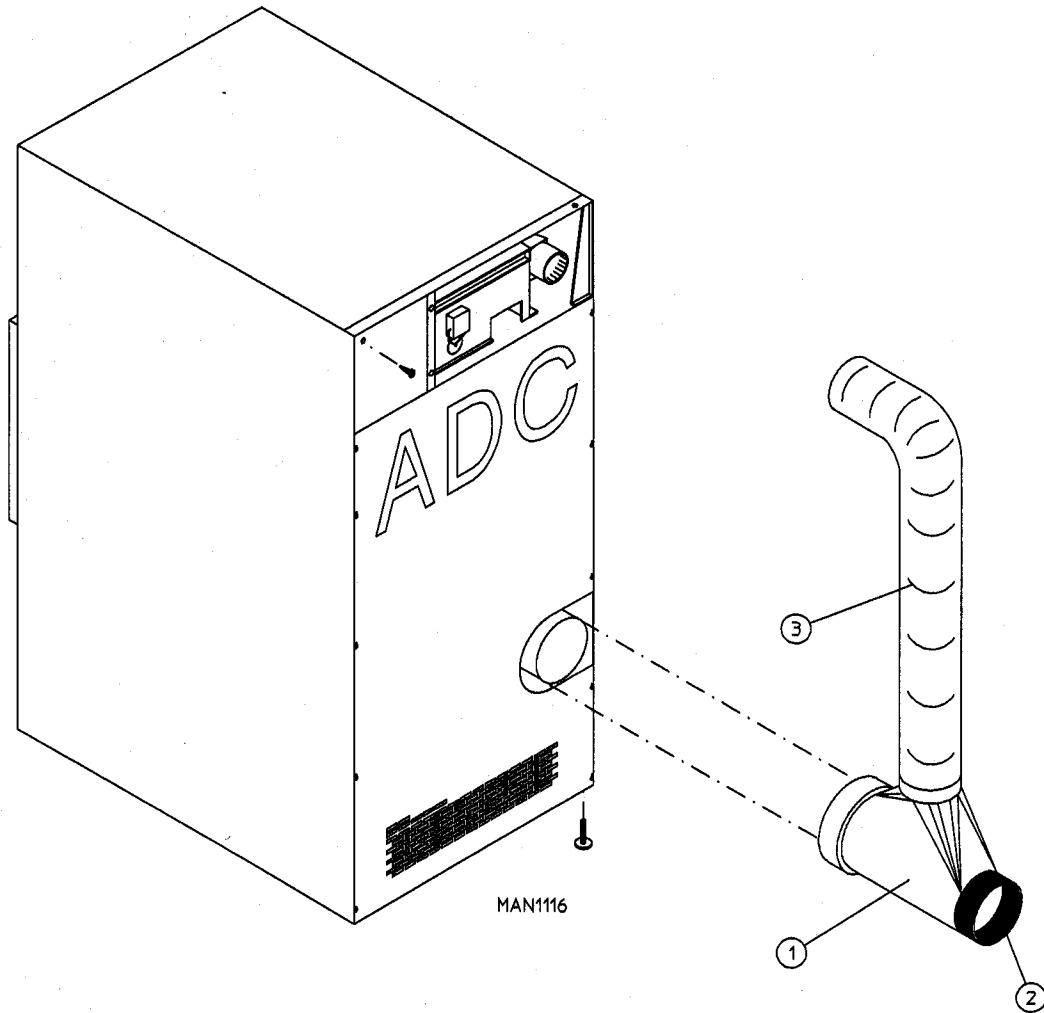


| <u>Illus. No.</u> | <u>Part No.</u> | <u>Qty.</u> | <u>Description</u> |
|-------------------|-----------------|-------------|--|
| 1 | 322812 | 1 | Back Electrical Box Component Mounting Plate |
| 2 | 132198 | 1 | Reversing Timer (50/60 Hz) - 24 VAC |
| 3 | 150301 | 1 | #8-18 x 7/16" Phillips Pan Head TEK Screw |
| 4 | 132431 | 1 | Reversing Contactor - 24 VAC (208/230/240v, 50/60Hz) |
| | 132432 | 2 | Reversing Contactor Replacement Coil - 24 VAC (208/230/240v, 50/60Hz) |
| 5 | 150103 | 2 | #8-32 x 3/4" Phillips Round Head Machine Screw |
| 6 | 151001 | 2 | #8-32 Pal Nut |
| 7 | 153002 | 1 | 5/16" Lock Washer |
| 8 | 152004 | 1 | #5/16-18 Hex Nut |
| 9 | 132430 | 1 | Impellor Contactor - 24 VAC (208/230/240v, 50/60Hz) |
| | 132432 | 1 | Impellor Contactor Replacement Coil - 24 VAC (208/230/240v, 50/60Hz) |
| 10 | 150103 | 2 | #8-32 x 3/4" Phillips Round Head Machine Screw |
| 11 | 151001 | 2 | #8-32 Pal Nut |
| 12 | 120701 | 1 | 4-Position Terminal Block |
| 13 | 150008 | 2 | #6-32 x 1-1/4" Slotted Round Head Machine Screw |
| 14 | 151001 | 2 | #6-32 Pal Nut |
| 15 | 121300 | 3 | Open/Close Bushing |
| -- | 322809 | 1 | Back Electrical Box Cover ... Not Illustrated |
| -- | 150301 | 4 | #8-18 x 7/16" Phillips Pan Head TEK Screw ... Not Illustrated |



| Illus. No. | Part No. | Qty. | Description |
|------------|----------|------|-------------|
|------------|----------|------|-------------|

| | | | |
|---|--------|----|---|
| 1 | 322809 | 1 | Back Electrical Box Cover |
| 2 | 150301 | 4 | #8-18 x 7/16" Phillips Pan Head TEK Screw |
| 3 | 314414 | 1 | Top Back Guard (No Top Back Guard On Gas Heat Reclaimer Models and Steam Models) |
| 4 | 150301 | 7 | #8-18 x 7/16" Phillips Pan Head TEK Screw |
| 5 | 150301 | 10 | #8-18 x 7/16" Phillips Pan Head TEK Screw |
| 6 | 312534 | 1 | UD-50 Outer Top (No Outer Top On Gas Heat Reclaimer Models and Steam Models) |
| 7 | 314410 | 1 | Lower Back Guard |
| 8 | 150301 | 13 | #8-18 x 7/16" Phillips Pan Head TEK Screw |
| 9 | 103500 | 4 | Leveling Leg |



| <u>Illus. No.</u> | <u>Part No.</u> | <u>Qty.</u> | <u>Description</u> |
|-------------------|-----------------|-------------|-----------------------------------|
| 1 | 143501 | 1 | 8" x 6" x 6" Tee |
| 2 | 880502 | 1 | 6" Replacement Damper Assembly |
| 3 | 143509 | 1 | 6" Flexible Duct |
| - | 117505 | 2 | Aluminum Duct Tape (sold in feet) |

DSI Burner Orifice Listing*

| Model Number | Heat Reclaimer | Qty. | Natural Gas | | L.P. Gas | |
|--------------|----------------|------|-------------|----------|----------|----------|
| | | | D.M.S. | Part No. | D.M.S. | Part No. |
| UDG-50D | No | 3 | #29 | 140820 | #48 | 140804 |
| UDG-50DH | Yes | 2 | #23 | 140856 | #42 | 140810 |

* Consult factory for elevations over 2,000 feet.

DSI Burner Assembly Listing

| Model Number | BTU/Hr Rating | Heat Reclaimer | Natural Gas Part No. | L.P. Gas Part No. |
|--------------|---------------|----------------|----------------------|-------------------|
| UDG-50D | 160,000 | No | 809627 | 809628 |
| UDG-50DH | 140,000 | Yes | 809629 | 809630 |

Notes: 1. Burner assemblies **do not** include burner orifices. They **must** be ordered separately.
 2. When ordering burner assemblies, specify model number and if computer or non-computer controls.

DSI L.P. Conversion Kit Listing*

| Model Number | Kit Part Number |
|--------------|-----------------|
| UDG-50D | 874046 |
| UDG-50DH | 874047 |

* Consult factory for elevations over 2,000 feet.

UDE-50

| Kw | Volt | Phase | Wire | Oven Assy* | Element | | | Oven Wire | | | Terminal Lug | | Bus Bar P/N 121011 | Oven Relay | | Relay coil Part No. |
|----|---------|-------|--------|------------|---------|----|----------|-----------|------|----------|--------------|----------|-----------------------|------------|----------|------------------------|
| | | | | | Qty | Kw | Part No. | Qty | Size | Part No. | Qty | Part No. | | Cat. No. | Part No. | |
| 30 | 208 | 3Ø | 3 or 4 | 824917 | 6 | 5 | 120012 | 6 | #6 | 133200 | 7 | 121010 | 1 | FEAJ | 131375 | 131386 |
| 30 | 230 | 3Ø | 3 | 824934 | 6 | 5 | 120013 | 3 | #4 | 133300 | 4 | 121012 | 1 | EEAJ | 131370 | 131371 |
| 30 | 416 | 3Ø | 3 or 4 | 824949 | 6 | 5 | 120012 | 4 | #8 | 133100 | 5 | 121010 | 2 | CEAJ | 131355 | 131356 |
| 30 | 460/480 | 3Ø | 3 or 4 | 824955 | 6 | 5 | 120013 | 4 | #8 | 133100 | 5 | 121010 | 2 | BEAJ | 131350 | 131356 |
| 25 | 380 | 3Ø | 3 or 4 | 824942 | 6 | 5 | 120012 | 4 | #8 | 133100 | 5 | 121010 | 2 | BEAJ | 131350 | 131356 |
| 24 | 208 | 3Ø | 3 or 4 | 824919 | 6 | 4 | 120010 | 3 | #4 | 133300 | 4 | 121012 | 1 | EEAJ | 131370 | 131371 |
| 24 | 230 | 3Ø | 3 | 824936 | 6 | 4 | 120011 | 3 | #6 | 133200 | 3 | 121010 | 1 | DEAJ | 131365 | 131371 |
| 24 | 416 | 3Ø | 3 or 4 | 824948 | 6 | 4 | 120010 | 4 | #8 | 133100 | 5 | 121010 | 2 | BEAJ | 131350 | 131356 |
| 24 | 460/480 | 3Ø | 3 or 4 | 824954 | 6 | 4 | 120011 | 4 | #10 | 133000 | 5 | 121010 | 2 | BEAJ | 131350 | 131356 |
| 20 | 208 | 1Ø | 2 | 824906 | 5 | 4 | 120010 | 2 | #4 | 133300 | 2 | 121012 | 2 | GEAJ | 131385 | 131386 |
| 20 | 230 | 1Ø | 2 | 824928 | 5 | 4 | 120011 | 2 | #4 | 133300 | 2 | 121012 | 2 | FEAJ | 131375 | 131386 |
| 20 | 380 | 3Ø | 3 or 4 | 824941 | 6 | 4 | 120010 | 4 | #10 | 133300 | 5 | 121010 | 2 | BEAJ | 131350 | 131356 |

* Oven Assemblies **do not** include Oven Relay (contactor). This item must be ordered separately. When ordering Oven Assembly Complete, specify 3 or 4 wire when applicable as well as if dryer has Microprocessor or Non-Microprocessor controls.

| <u>Part Number</u> | <u>Description</u> |
|--------------------|--|
| 112027 | "Water Washed Fabrics" Label |
| 112039 | "Black/White/Green Ground" Label |
| 112040 | "Lint Compartment" Label |
| 112041 | "Caution Exhaust" Label |
| 112534 | Phase 5 OPL "Program Location Summary" Label |
| 120100 | 3/8" Straight BX Connector |
| 120200 | 3/8" x 90° BX Connector |
| 120300 | 3/8" x 45° BX Connector |
| 120400 | 3/8" Red Jacket BX Insulator |
| 120500 | 3/8" Jiffy Clip BX Retainer Clip |
| 120600 | 3/8" Greenfield BX |
| 120800 | 1/4" In-Line Connector |
| 120802 | Red Butt Connector |
| 120902 | #74B Wire Nut |
| 120903 | Crimp-on Wire Nut |
| 121006 | #10 Insulated Ring Terminal |
| 121014 | 1/4" Insulated (Female) Terminal |
| 121026 | Tab Receptacle Combination |
| 121499 | 4" Harness Tie |
| 121500 | 7" Harness Tie |
| 121503 | Harness Tie Mounting Clip |
| 122804 | Manometer (water column test gauge) |
| 404500 | Almond Brush-In-Cap Bottle Touch-Up Paint |
| 404502 | White Brush-In-Cap Bottle Touch-Up Paint |
| 404506 | Almond "B" Brush-In-Cap Bottle Touch-Up Paint |
| 404507 | Cornflower Blue Brush-In-Cap Bottle Touch-Up Paint |
| 410001 | 1/2" Allen Wrench |
| 880200 | Electrical Terminal Kit |

ADC450129 1- 11/06/92-100 2- 04/02/93-100 3* 10/28/93-200
4* 01/24/95-200 5- 02/24/98-100

