



# **UD-80 Parts Manual**

## **24 VAC Phase 5**

### **1993/1994**

---

**American Dryer Corporation**  
88 Currant Road  
Fall River, MA 02720-4781  
Telephone: (508) 678-9000 / Fax: (508) 678-9447  
E-mail: techsupport@amdry.com

[www.amdry.com](http://www.amdry.com)

ADC Part No. 450134

# Retain This Manual In A Safe Place For Future Reference

American Dryer Corporation products embody advanced concepts in engineering, design, and safety. If this product is properly maintained, it will provide many years of safe, efficient, and trouble-free operation.

*ONLY qualified technicians should service this equipment.*

**OBSERVE ALL SAFETY PRECAUTIONS** displayed on the equipment or specified in the installation/operator's manual included with the dryer.

The following "FOR YOUR SAFETY" caution **must be** posted near the dryer in a prominent location.

## **FOR YOUR SAFETY**

Do not store or use gasoline or other flammable vapors and liquids in the vicinity of this or any other appliance.

## **POUR VOTRE SÉCURITÉ**

Ne pas entreposer ni utiliser d'essence ni d'autres vapeurs ou liquides inflammables à proximité de cet appareil ou de tout autre appareil.

We have tried to make this manual as complete as possible and hope you will find it useful. The manufacturer reserves the right to make changes from time to time, without notice or obligation, in prices, specifications, colors, and material, and to change or discontinue models. The illustrations included in this manual may not depict your particular dryer exactly.

## **IMPORTANT**

For your convenience, log the following information:

DATE OF PURCHASE \_\_\_\_\_ MODEL NO. **UD-80**

RESELLER'S NAME \_\_\_\_\_

Serial Number(s) \_\_\_\_\_

Replacement parts can be obtained from your reseller or the **ADC** factory. When ordering replacement parts from the factory, you can FAX your order to **ADC** at +1 (508) 678-9447 or telephone your order directly to the **ADC** Parts Department at +1 (508) 678-9000. Please specify the dryer model number and serial number in addition to the description and part number, so that your order is processed accurately and promptly.

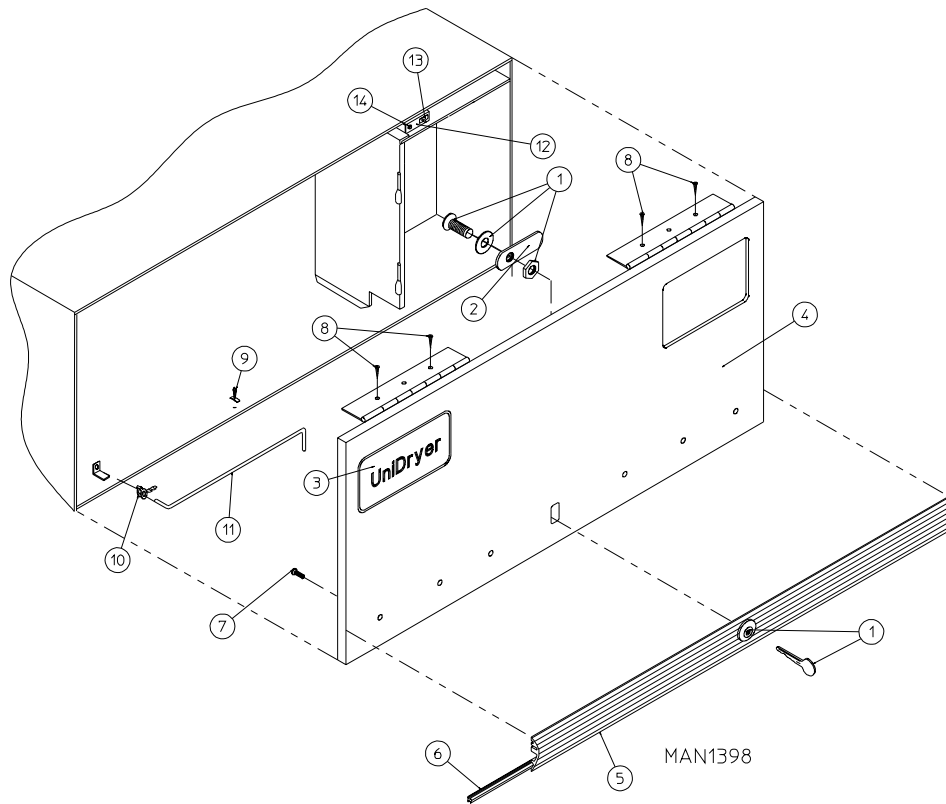
### **"IMPORTANT NOTE TO PURCHASER"**

Information must be obtained from your local gas supplier on the instructions to be followed if the user smells gas. These instructions must be posted in a prominent location near the dryer.

# Table of Contents

High Security Control Door Assembly .....	2
Lint Drawer/Door Assembly .....	3
Lint Drawer/Lint Coop Assembly .....	4
Lint Drawer Switch Assembly .....	5
Phase 5 OPL Microprocessor Control Panel Assembly .....	6
Phase 5 OPL Microprocessor Control Box Assembly .....	7
Front Panel Assembly .....	8
Main Door Switch Housing .....	9
Main Door Assembly .....	10
Tumbler/Support Assemblies .....	11
Tumbler Bearing Assembly .....	12, 13
Idler Bearing Assembly .....	14, 15
Reversing Totally Enclosed, Fan-Cooled (T.E.F.C.) Motor Mount Assembly .....	16, 17
UDG-80 Direct Spark Ignition (DSI) Upshot Burner Assembly .....	18, 19
UDS-80 Air Operated Steam Damper Assembly .....	20, 21
Sensor Bracket Assembly .....	22
Sail Switch Assembly .....	23
Microprocessor Reversing Rear Control Box Assembly .....	24
Top/Back Guard Assemblies .....	25
Additional Parts Available .....	26

## High Security Control Door Assembly

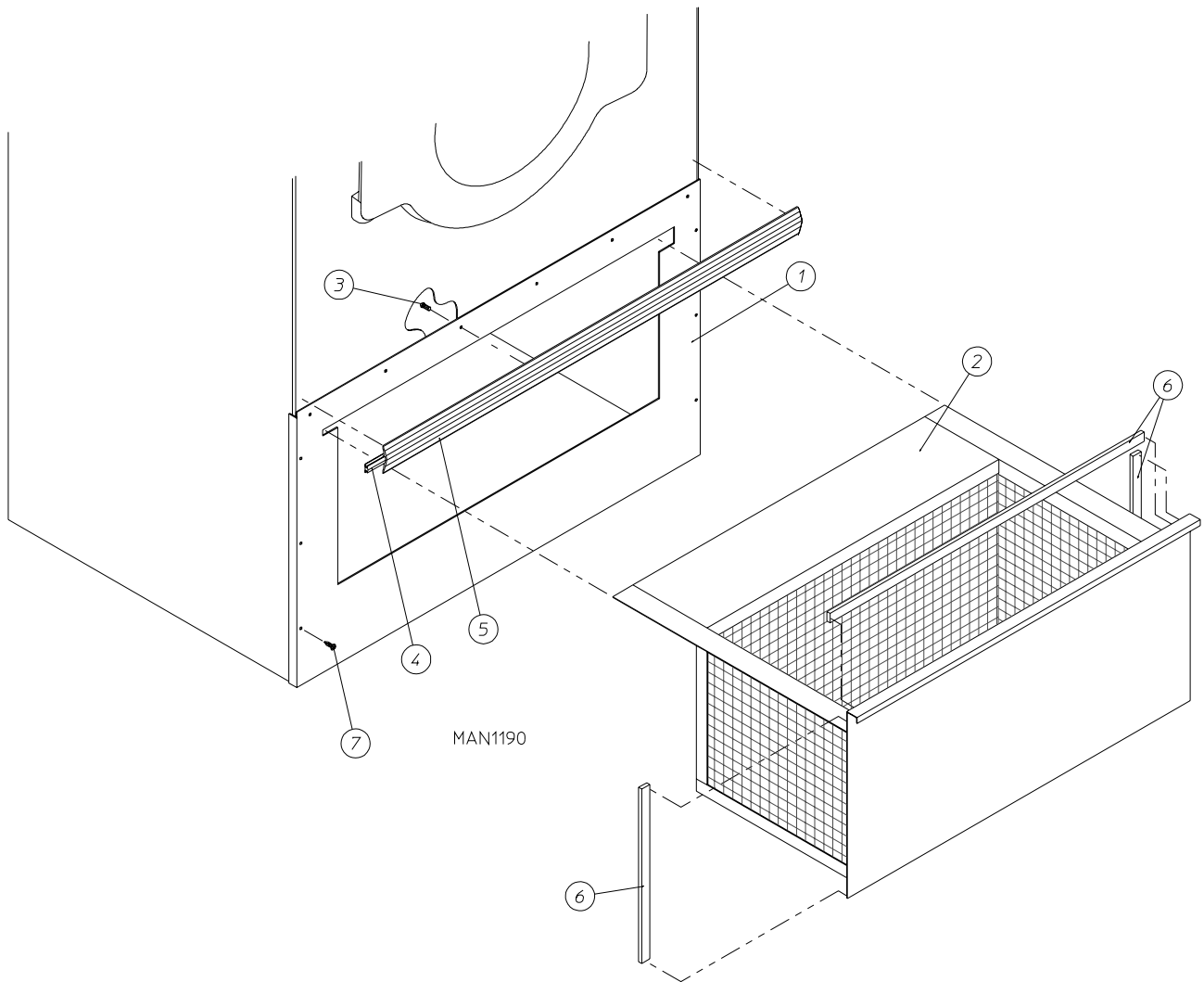


<u>Illus. No.</u>	<u>Part No.</u>	<u>Qty.</u>	<u>Description</u>
1	160017	1	Special Dummy Lock ONLY
2	160016	1	Lock Cam ONLY
3	112312*	1	UniDryer® Logo ONLY
	881053*	1	ADC Logo with Tape (for <b>ALL</b> Coin Models Only)
	881052*	1	Metal ADC Logo with Tape (for <b>ALL</b> OPL Models Only)
	870011	1	Logo Double Tape Kit ONLY
4	800020**	1	High Security Control Door Assembly (includes illus. nos. 4 through 7)
	800144	1	Stainless Steel High Security Control Door Assembly (includes illus. nos. 4 through 7)
5	180202	1	Top Trim Strip with Lock Hole (38-1/4 length)
6	102307	3	Trim Bumper Gasket (sold by the foot)
7	150201	6	#10-32 x 1/4" Phillips Round Head Machine Screw
8	150300	4	#10 x 1/2" Hex Washer TEK Screw
9	102600	1	Control Door Rod Support Catch
10	102601	1	Control Door Rod Retainer Clip
11	102502	1	Control Door Support Rod
12	122116	1	Switch 24 VAC (for models mfd. as of May 5, 1993)
13	323635	1	Switch Box Cover (for models mfd. as of May 5, 1993)
14	150300	1	#16 x 1/2" Hex Washer TEK Screw (for models mfd. prior to May 5, 1993)

\* Logo tape kit is not included and must be ordered separately.

\*\* Specify color when ordering.

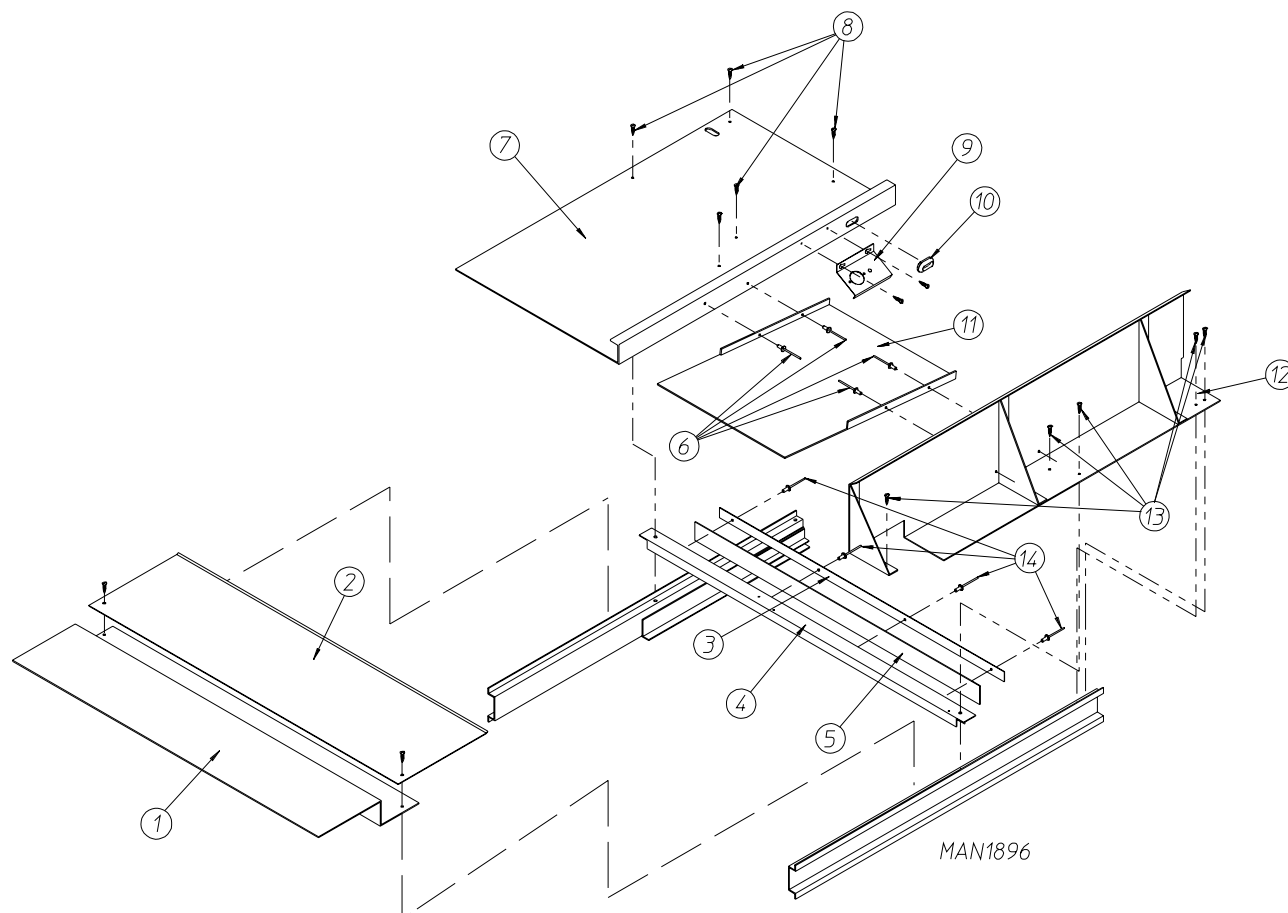
## Lint Drawer/Door Assembly



<u>Illus. No.</u>	<u>Part No.</u>	<u>Qty.</u>	<u>Description</u>
1*	880826	1	Lint Door Assembly (includes illus. nos. 1 and 3 through 5)
2*	880840	1	Lint Drawer Assembly
3	150201	6	#10-32 x 1/4" Phillips TEK Screw
4	102307	3	Trim Bumper Gasket
5	180212	1	Mid Trim Kick Plate
6	117604	6	Neoprene Sponge Tape (sold by the foot)
7	150309	6	#10-16 x 1/2" Hex Head TEK Crimptite Screw

\* Specify color when ordering.

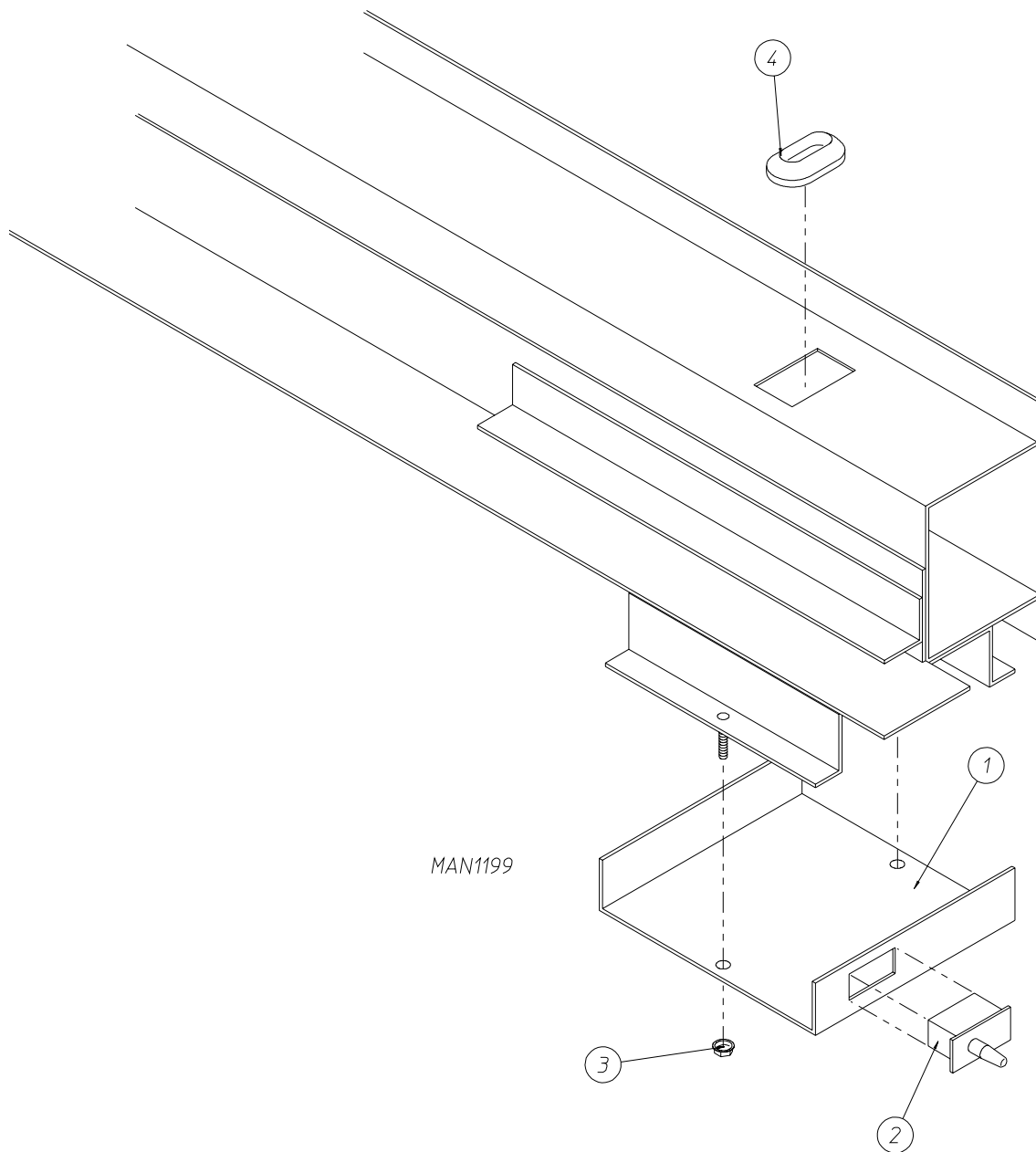
## Lint Drawer/Lint Coop Assembly



<u>Illus. No.</u>	<u>Part No.</u>	<u>Qty.</u>	<u>Description</u>
1	881017	1	Lint Back Cover
2	881018	1	Felt Stiffener
3	881019	1	Felt Retainer
4	881020	1	Wrapper Middle Support
5	115993	1	Lint Drawer Felt
6	154200	4	5/32" Pop Rivet
7	881021	1	Right Side Lint Wall
8	150300	5	#10 x 1/2" Hex Washer TEK Screw
9	323626	1	Temperature Sensor Bracket ONLY (refer to <b>Sensor Bracket Assembly</b> on <b>page 22</b> )
10	121405	1	Large Rubber Grommet Only
11	881022	1	Middle Side Lint Wall
12	802163	1	Left Side Lint Wall
13	150300	5	#10 x 1/2" Hex Washer TEK Screw
14	154200	4	5/32" Pop Rivet

# Lint Drawer Switch Assembly

---

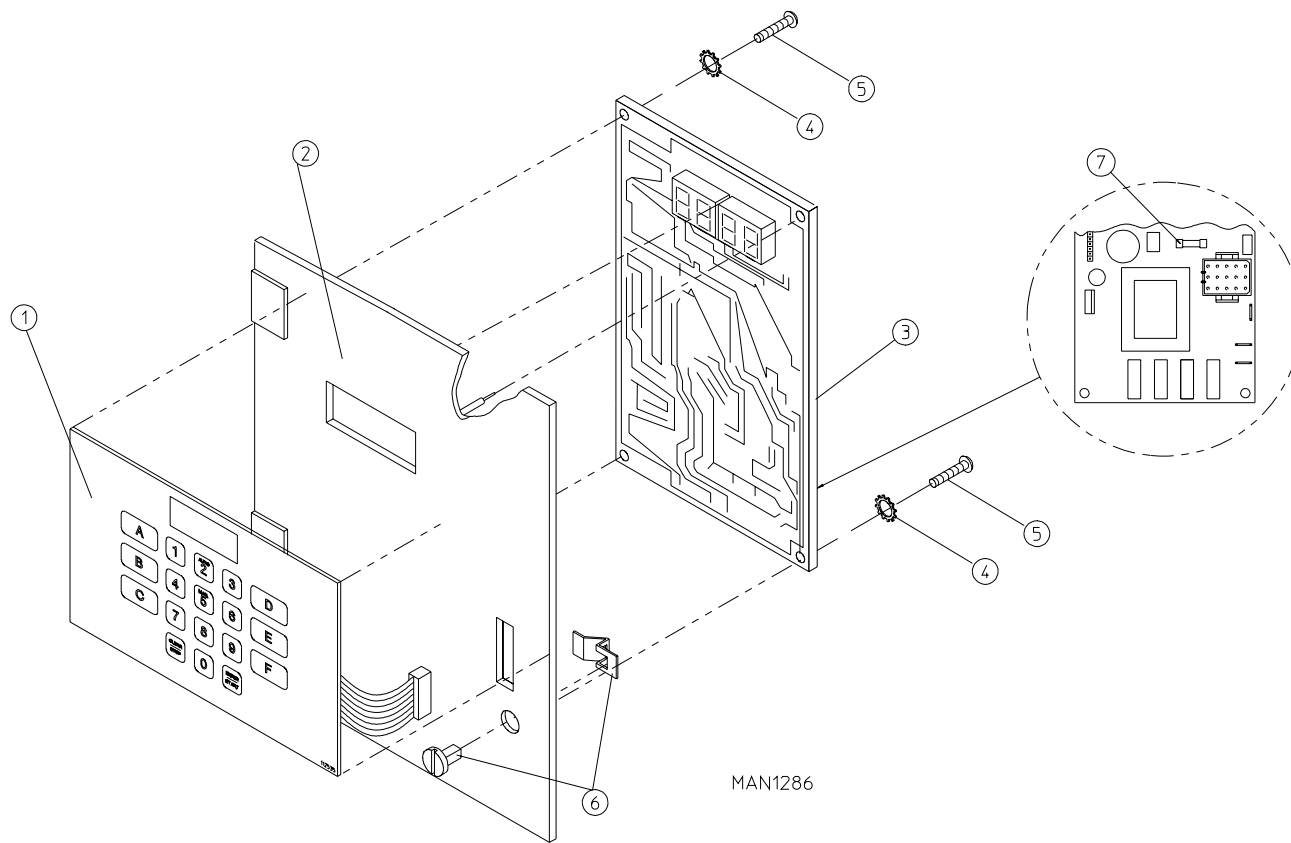


---

<u>Illus. No.</u>	<u>Part No.</u>	<u>Qty.</u>	<u>Description</u>
1	323635	1	Lint Drawer Switch Cover
2	122116	1	Lint Drawer Switch
3	151001	2	#8-32 Pal Nut
4	121405	1	Large Rubber Grommet

---

## Phase 5 OPL Microprocessor Control Panel Assembly

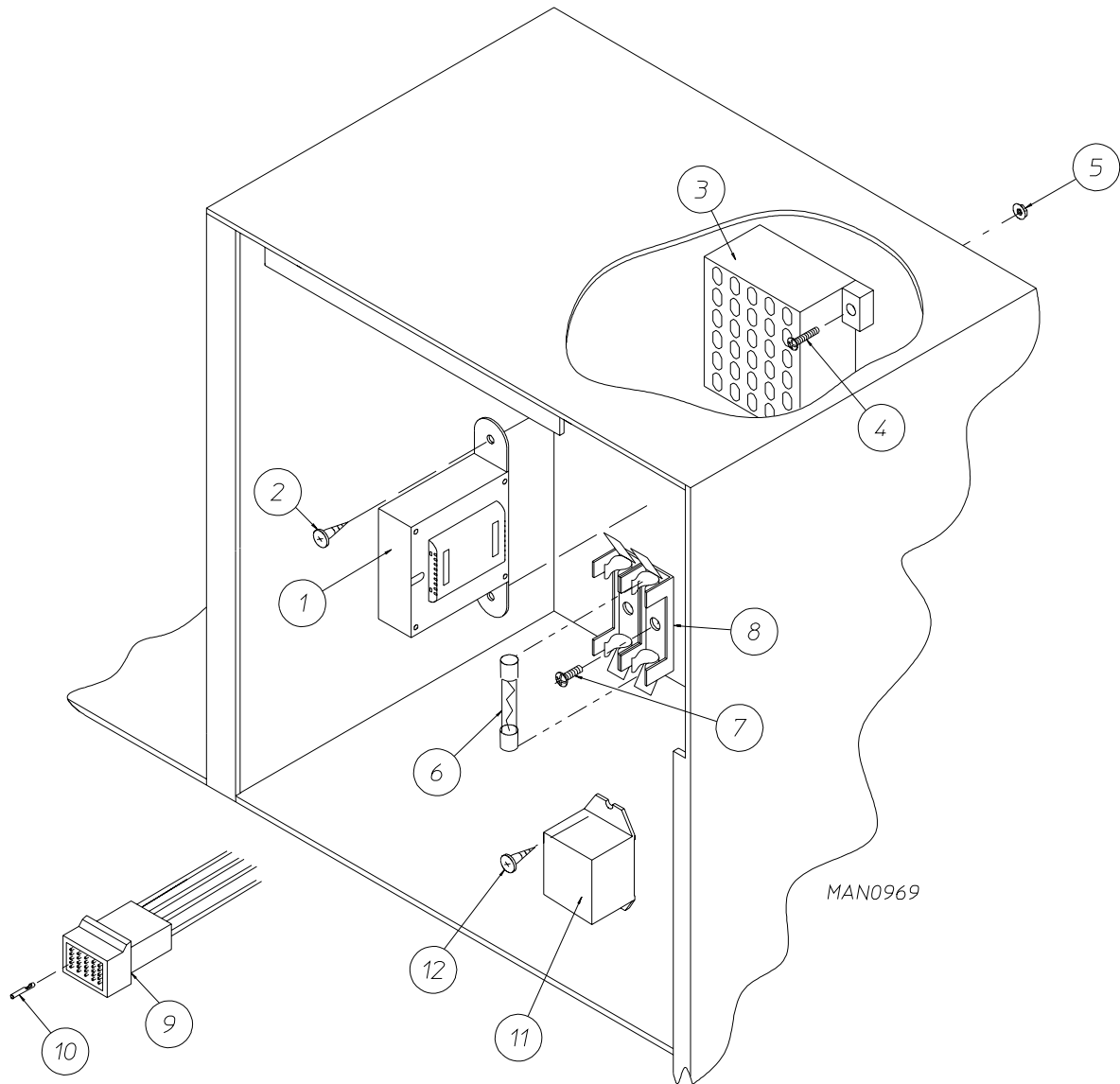


<u>Illus. No.</u>	<u>Part No.</u>	<u>Qty.</u>	<u>Description</u>
1	112535	1	OPL English Keyboard Label Assembly
	112276	1	OPL Stick-on Labels (English Only) ... Not Illustrated
	112275	1	OPL Stick-on Labels (Spanish, Italian, and Hebrew) ... Not Illustrated
	112277	1	3-Language OPL Stick-on Labels (English, Spanish and Hebrew) ... Not Illustrated
	112278	1	5-Language OPL Stick-on Labels (Italian, Dutch, French, German and Chinese) ... Not Illustrated
	2	801255	1
801256		1	Phase 5 Microprocessor Control Panel ONLY with Battery Bracket
801207		1	Phase 5 OPL Reversing Microprocessor Control Panel Assembly Complete (includes illus. nos. 1 through 6)
824459		1	Phase 5 OPL Reversing Microprocessor Control Panel Assembly with Battery Option Complete (includes illus. nos. 1 though 6)
3	137231	1	Phase 5 OPL Reversing Microprocessor Controller (computer) ONLY
	824998	1	Phase 5 Battery Clip
4	153010	2	#6 Star Washer
5	150005	2	#6-32 x 1/4" Phillips Round Head Machine Screw
6	160005	1	Spring Turn Latch (2-piece)
7	136048	1	1/8-Amp Fuse ONLY

**IMPORTANT:** Check label on computer chip to verify correct part number for controller (computer).



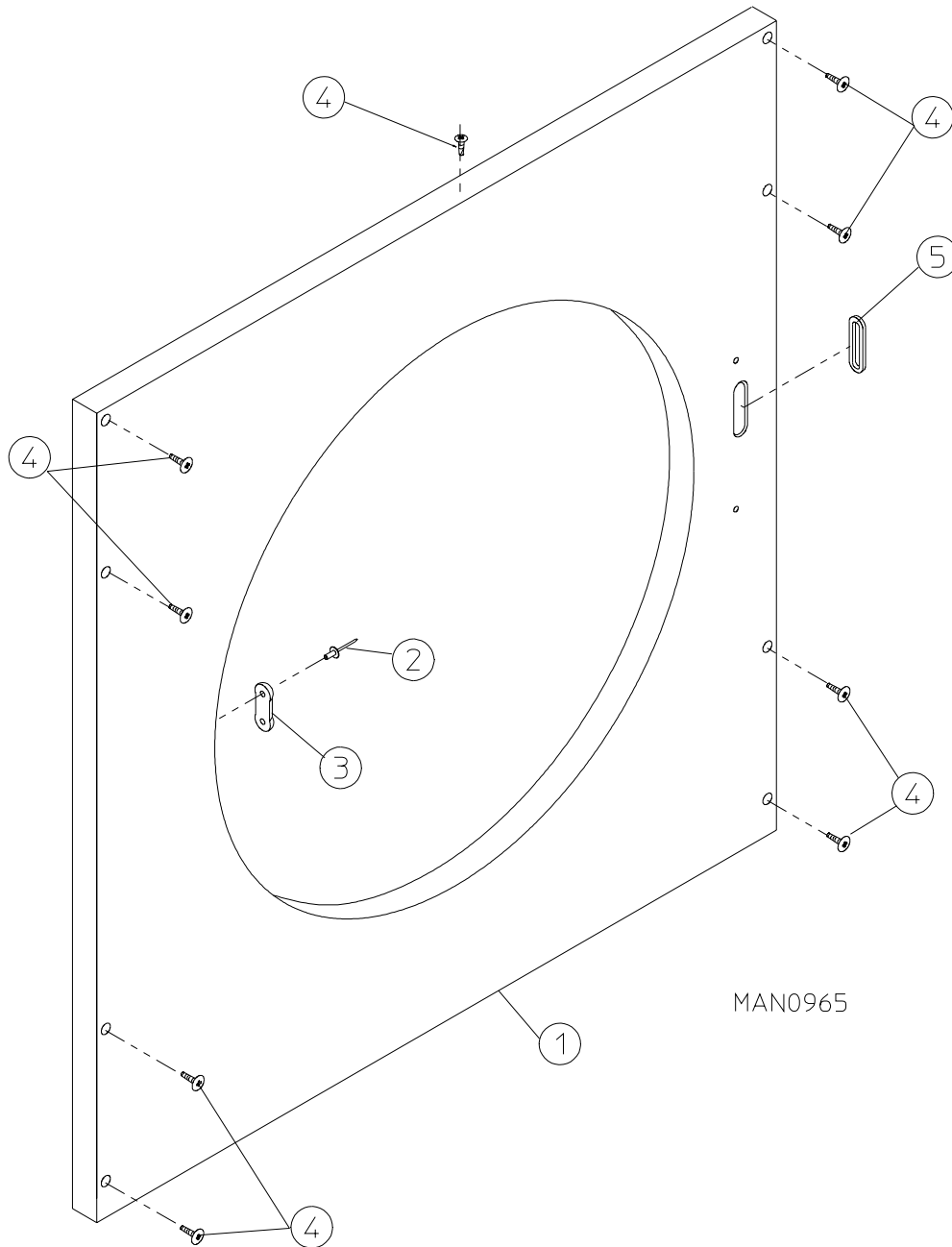
## Phase 5 OPL Microprocessor Control Box Assembly



Illus. No.	Part No.	Qty.	Description
1	141403	1	24 VAC Transformer (for 60 Hz models Only)
	132023	1	24 VAC Transformer (for 50 Hz models Only)
2	150300	2	#10 x 1/2" Hex Washer TEK Screw
3	120715	1	30-Position Terminal Block
4	150002	2	#6-32 x 1" Phillips Round Head Machine Screw
5	151000	2	#6-32 Pal Nut
6	136057	*	1/2-Amp (Slo-Blo) Fuse ONLY
7	150301	*	#8-18 x 7/16" Phillips Pan Head TEK Screw
8	136008	*	Fuse Block and Strip Only
9	122641	1	15-Pin Microprocessor Connector
10	122706	*	Mate-N-Lock Socket

\* As required.

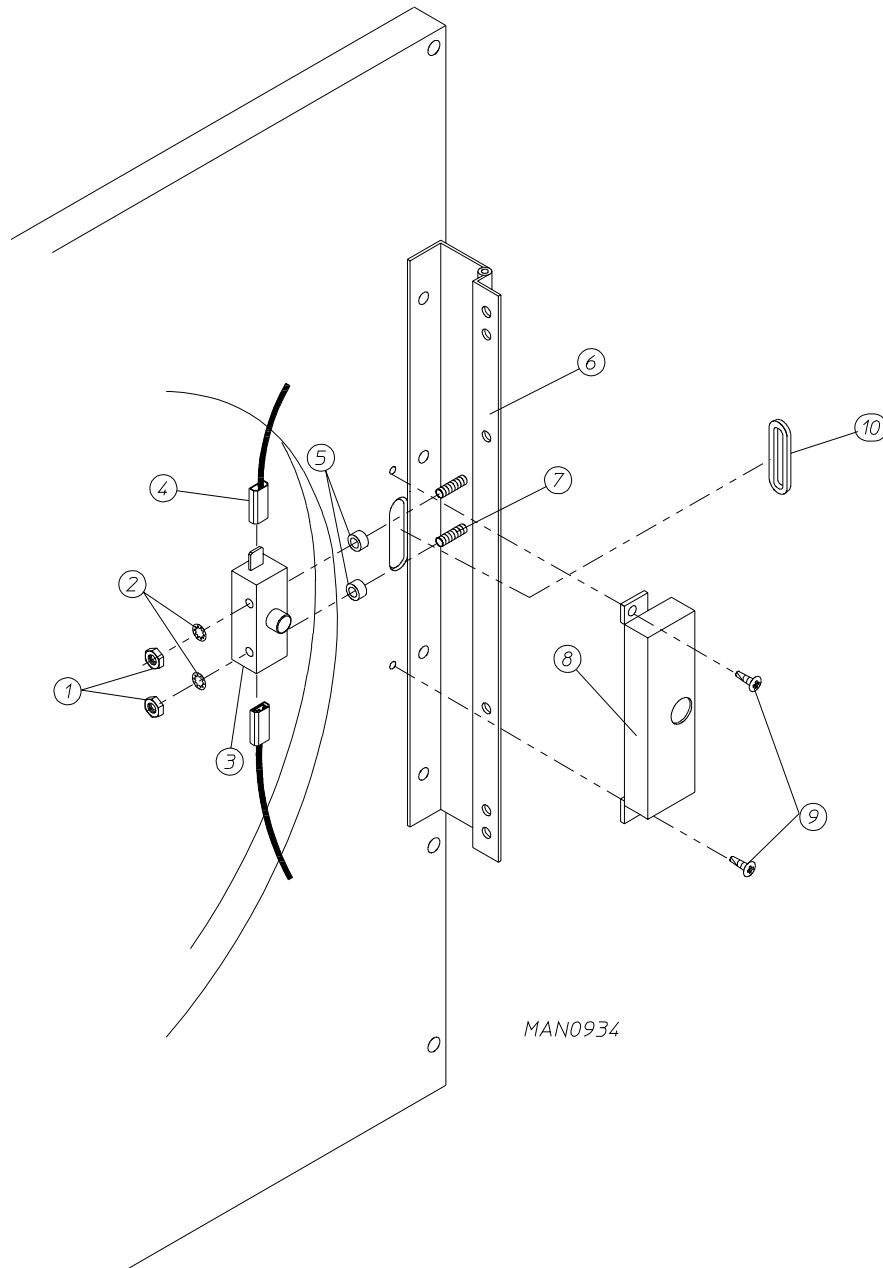
## Front Panel Assembly



<u>Illus. No.</u>	<u>Part No.</u>	<u>Qty.</u>	<u>Description</u>
1	880817	1	Right Hand Insulated Front Panel Assembly Complete (includes illus. nos. 1, 2 and 3)
	880816	1	Left Hand Insulated Front Panel Assembly Complete (includes illus. nos. 1, 2 and 3)
2	154215	2	5/32" x 1/4" Pop Rivet
3	170330	1	Friction Door Latch
4	150309	9	#10-16 x 1/2" Hex Head TEK Crimptite Screw
5	121405	1	Rubber Grommet

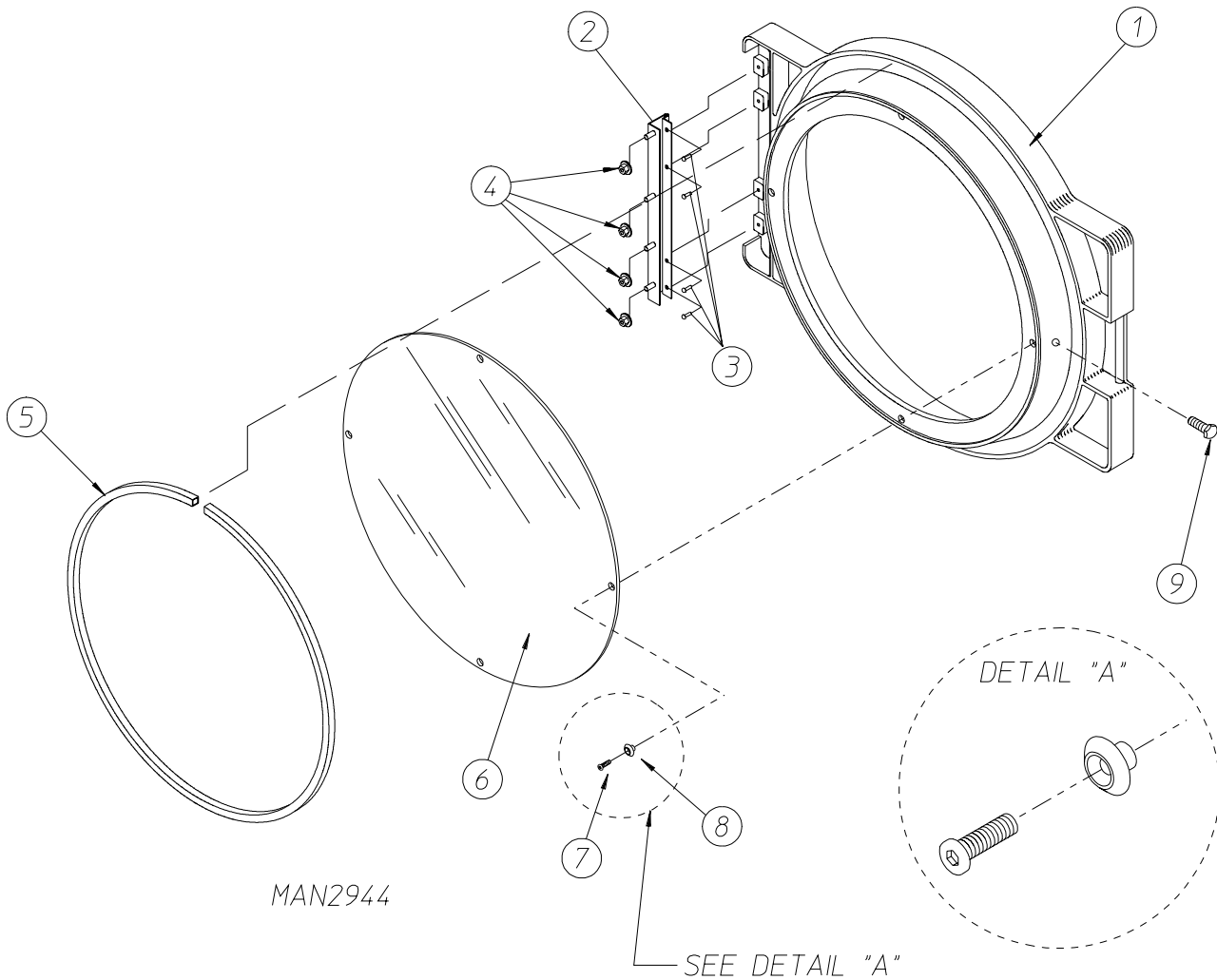
\* Specify color when ordering.

# Main Door Switch Housing



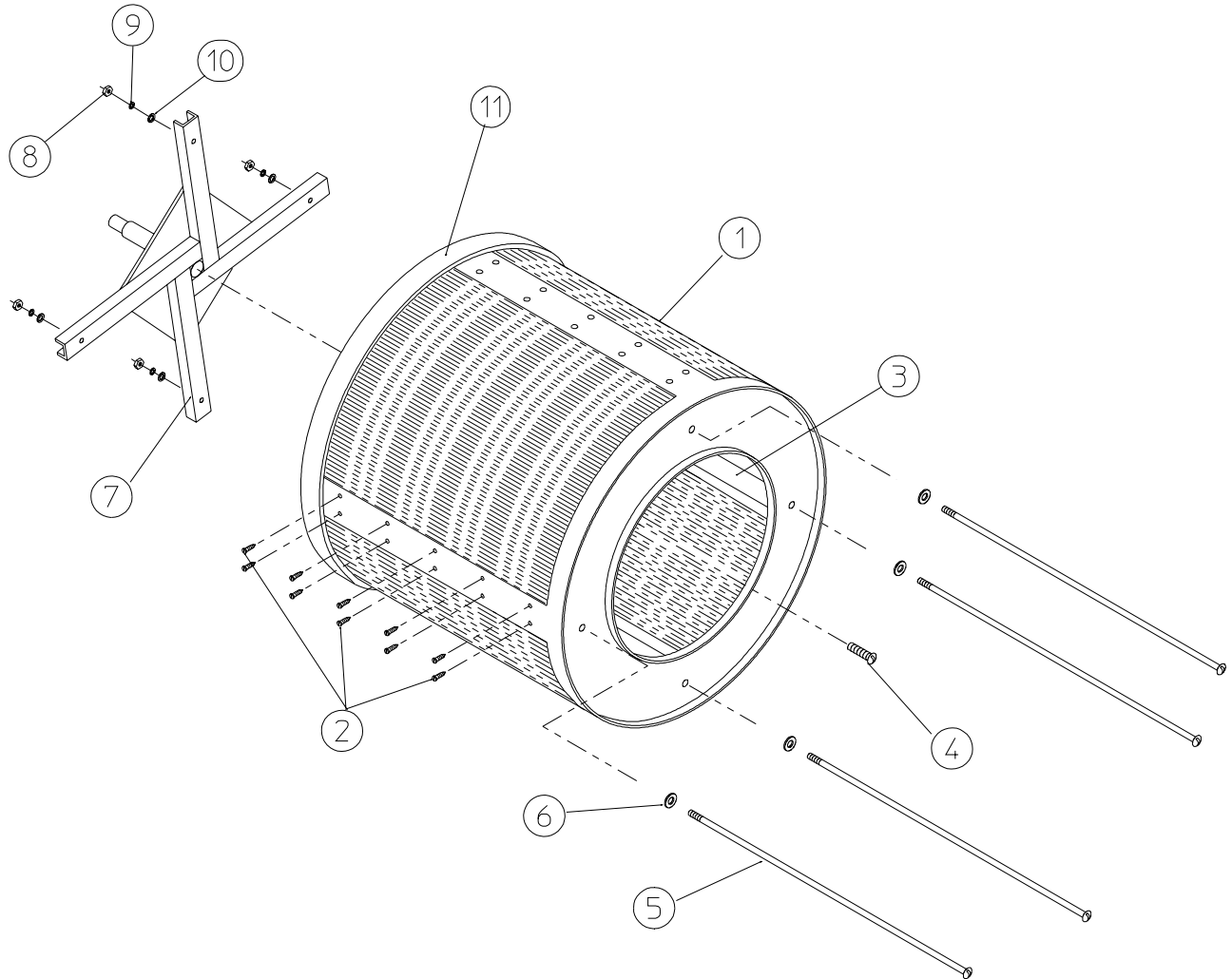
Illus. No.	Part No.	Qty.	Description
1	152013	2	#6-32 Hex Nut
2	153008	2	#6 Lock Washer
3	137005	1	Singe-Pole Door Switch ONLY
4	121028	2	Insulated Female Terminal
5	154281	2	3/8" Standard Nylon Spacer
6	800448	1	12-1/2" Stainless Steel Main Door Hinge Assembly (includes illus. nos. 6 and 7)
7	153565	2	#6-32 x 1" Self Clinching Stud
8	313218	1	Main Door Switch Housing ONLY
9	150201	2	#10-32 x 1/4" Phillips Pan Head TEK Screw
10	121405	1	Rubber Grommet

# Main Door Assembly



<u>Illus. No.</u>	<u>Part No.</u>	<u>Qty.</u>	<u>Description</u>
1	881421	1	Gray Plastic Main Door Assembly Complete with Mechanical Fasteners (includes illus. nos. 1 and 5 through 9)
2	800448	4	12-1/2" Stainless Steel Main Door Hinge Assembly
3	150410	4	#10-24 x 3/8" Phillips Pan Head Taptite Screw
4	152014	1	1/4-20 Free Spin Wash Nut
5	102353	1	Main Door Gasket
6	102212	1	20-7/16" Door Glass with (4) Holes
	170730	1	Main Door Glass Adhesive (10.3 oz. cartridge)
7	150448	4	1/2" Stainless Steel Flat Head Allen Screw
8	170319	4	Door Glass (Nylon) Spacer
9	150431	1	Main Door Latch Screw (#10 x 7/16" Dome Hex Head)

## Tumbler/Support Assemblies

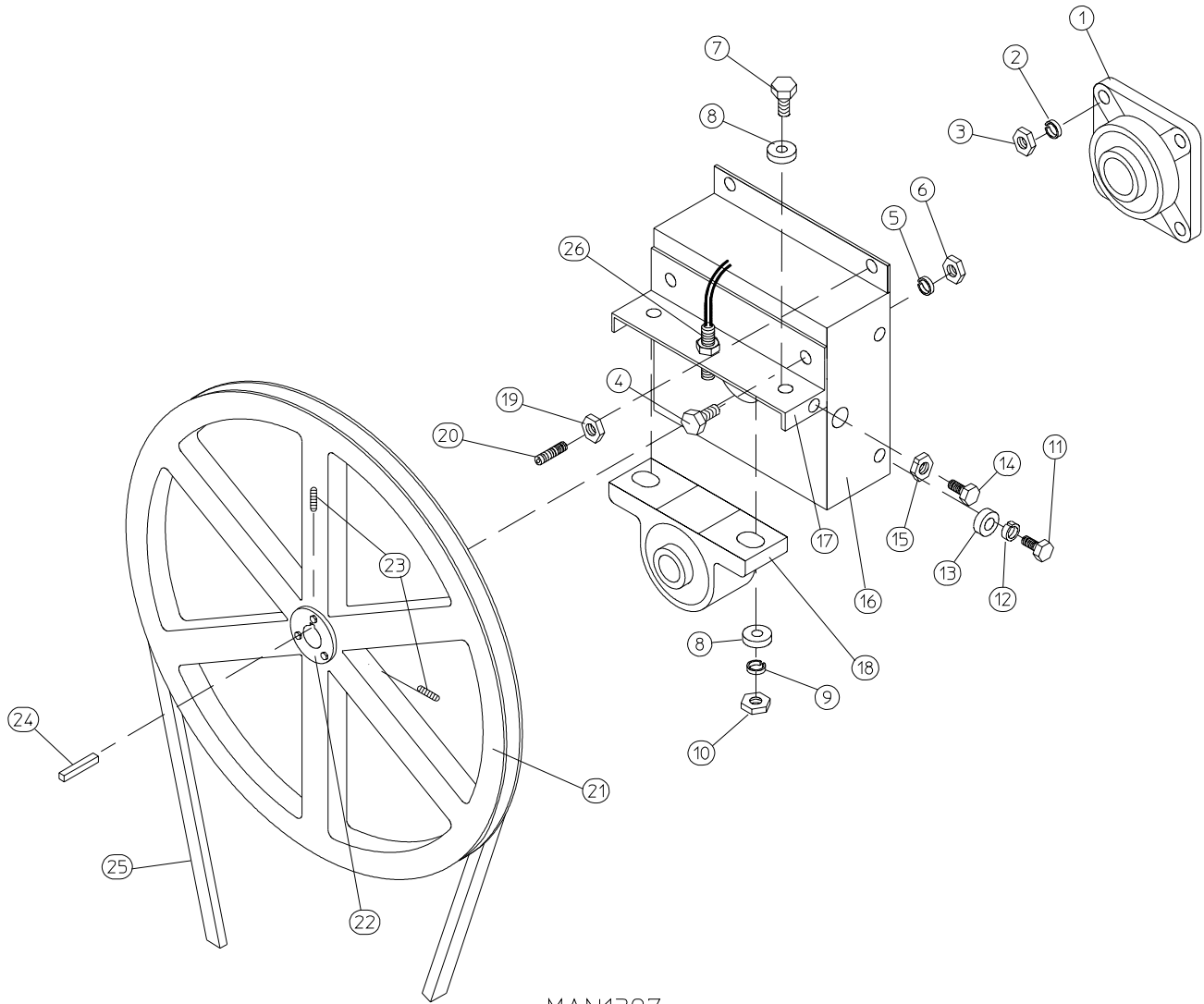


MAN0251

<u>Illus. No.</u>	<u>Part No.</u>	<u>Qty.</u>	<u>Description</u>
1	880818*	1	Tumbler ONLY without Felt Collar (includes illus. nos. 1, 2, and 3)
	880827	1	Reversing Tumbler and Support Assembly Complete (includes illus. nos. 1 through 11)
2	154210	40	5/32" x 3/16" Pop Rivet
3	301308	4	Tumbler Rib ONLY
4	150500	1	5/16-18 x 3/4" Socket Button Head Screw
5	100905	4	3/8-16 x 37 Tie Rod
6	153004	4	3/8" Flat Washer
7	800615	1	Reversing Tumbler Support ONLY
8	152005	4	3/8" Hex Nut
9	153005	4	3/8" Lock Washer
10	153004	4	3/8" Flat Washer
11	116000	1	Felt Collar ONLY
--	401010	1	#847 Adhesive (5 oz. tube)

\* Felt collar is not included and must be ordered separately.

# Tumbler Bearing Assembly



MAN1397

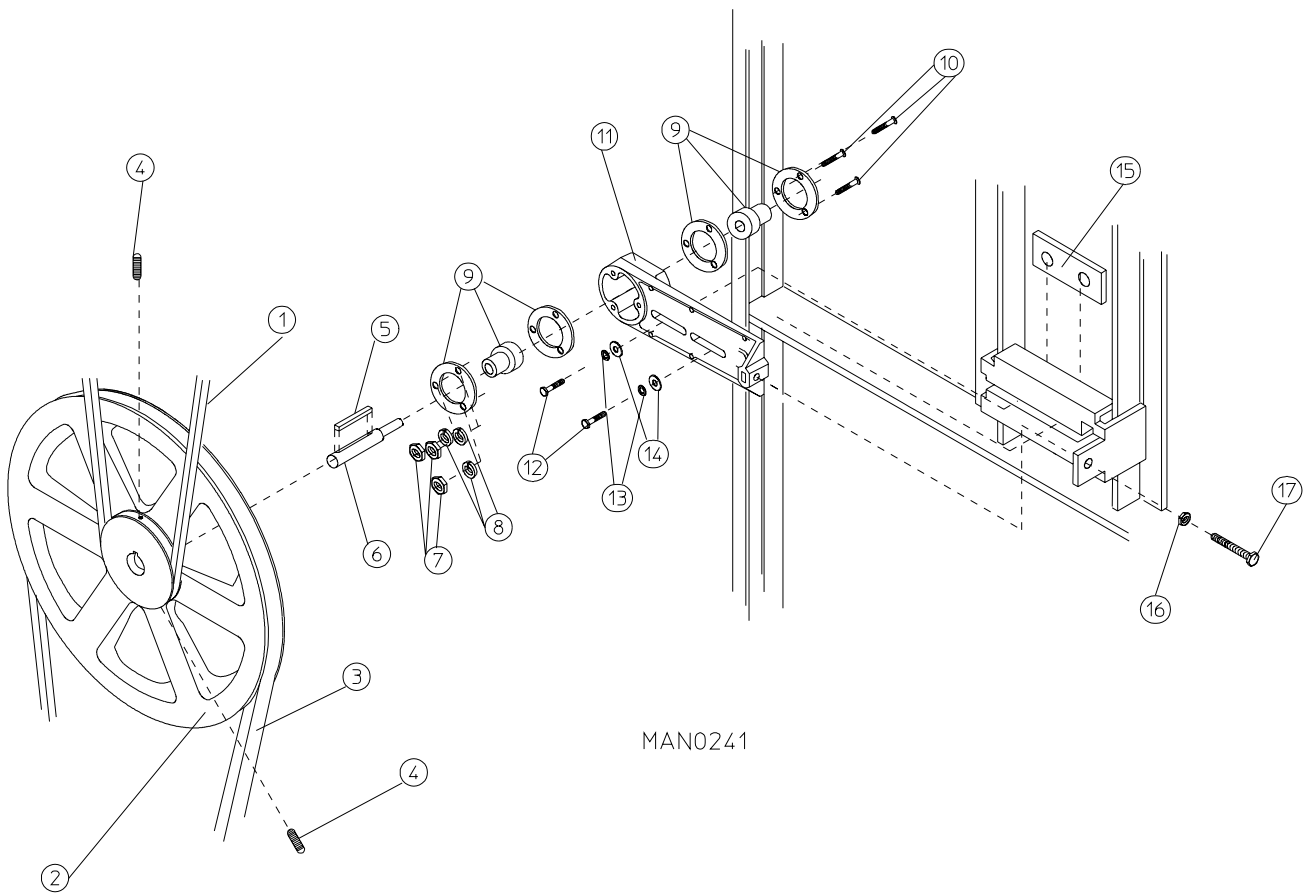
## *Tumbler Bearing Assembly*

---

<u>Illus. No.</u>	<u>Part No.</u>	<u>Qty.</u>	<u>Description</u>
1	880220	1	1-3/4" Flange Bearing ONLY
2	153025	4	9/16" Lock Washer
3	152050	4	9/16-12 Hex Nut
4	150508	2	3/8-16 x 3/4" Hex Head Machine Bolt
5	153005	2	3/8" Lock Washer
6	152005	2	3/8-16 Hex Nut
7	150600	2	3/8-16 x 1-1/2" Hex Head Machine Bolt
8	153004	*	3/8" Flat Washer
9	153005	2	3/8" Lock Washer
10	152005	2	3/8-16 Hex Nut
11	150501	4	5/16-18 x 3/4" Hex Head Machine Bolt
12	153002	4	5/16" Lock Washer
13	153001	4	5/16" Flat Washer
14	150621	2	5/16-18 x 1-1/2" Hex Head Machine Bolt
15	152004	2	5/16-18 Hex Nut
16	801101	1	1-3/8" Bearing Box Assembly Complete (includes illus. nos. 4 through 20) For models without Rotation Sensor Option
	801103	1	1-3/8" Bearing Box and Support ONLY (includes illus. nos. 4, 5, 6, 16, and 17)
	801105	1	1-3/8" Bearing Box ONLY
17	801104	1	Pillow Block Bearing Support ONLY
18	880779	1	1-3/8" Pillow Block Bearing Assembly with Magnet (for models mfd. as of April 5, 1993)
	880202	1	1-3/8" Pillow Block Bearing ONLY (for models mfd. as of April 5, 1993)
19	152004	2	5/16-18 Hex Nut
20	150610	2	5/16-18 x 1-1/2" Allen Setscrew
21	101118	1	18-3/4" Pulley
22	101119	1	1-3/8" Taper Lock Hub (key not included)
23	154301	2	5/16-18 x 5/16" Allen Setscrew
24	100735	1	Shaft Key (for taper lock hub)
25	100106	1	5L-690 V-Belt (to idler assembly)
26	824807	1	Rotational Sensor Assembly (for models mfd. as of April 5, 1993)

\* As required.

# Idler Bearing Assembly



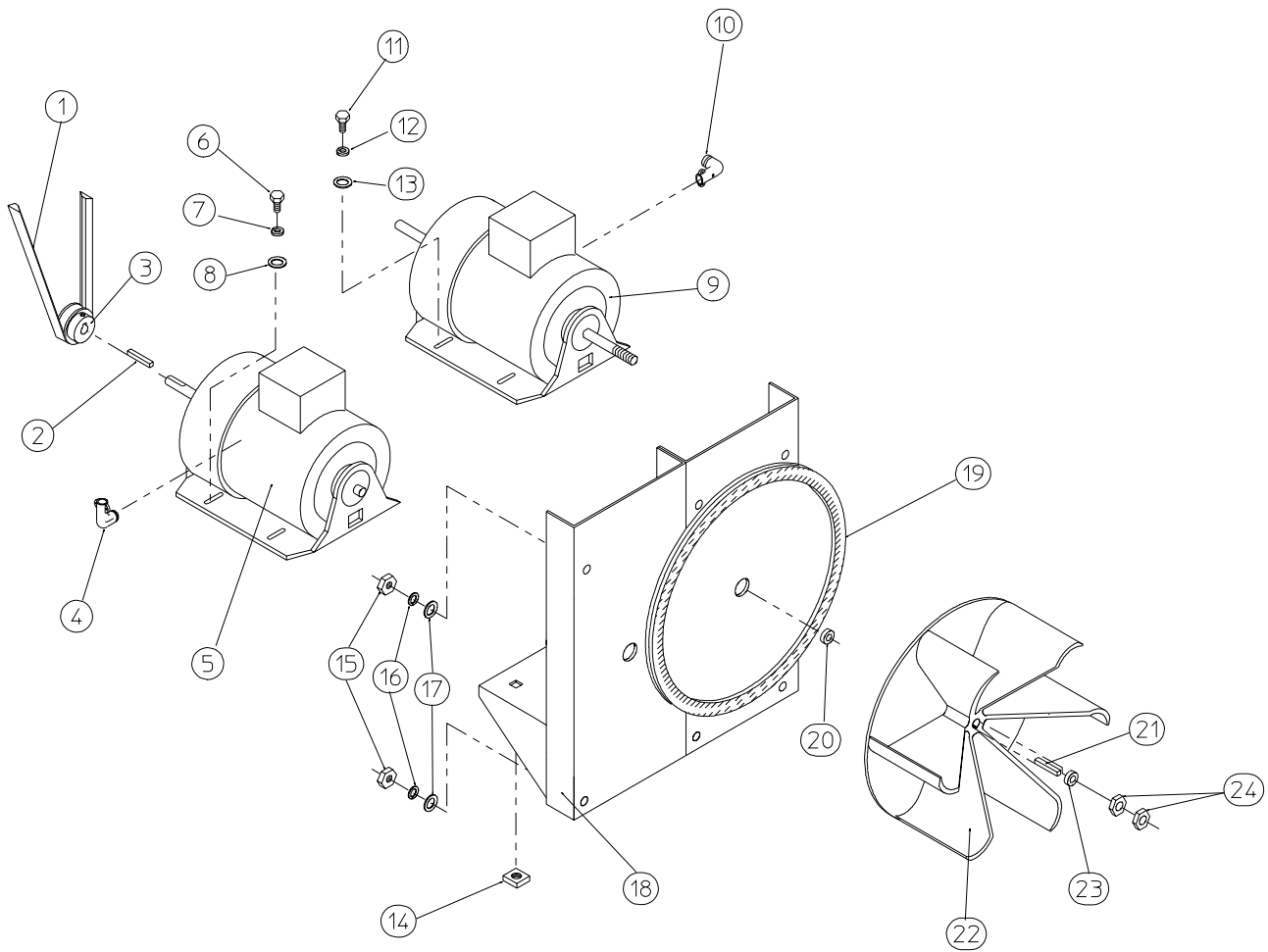


## *Idler Bearing Assembly*

---

<u>Illus. No.</u>	<u>Part No.</u>	<u>Qty.</u>	<u>Description</u>
1	100106	1	5L-690 V-Belt (idler to tumbler)
2	101140	1	14" x 3" Compound Pulley
3	100114	1	4L-630 V-Belt (idler to motor)
4	154301	2	5/16-18 x 5/16" Allen Setscrew
5	100705	1	3/16" x 3/16" x 1-3/8" Key
6	301850	1	5/8" x 3/4" Idler Shaft
7	152002	3	1/4-20 Hex Nut
8	153007	3	1/4" Lock Washer
9	100214	2	5/8" Flange Bearing
10	150521	3	1/4-20 x 2" Carriage Bolt
11	801007	1	Idler Bearing Assembly Complete (includes illus. nos. 5 through 17)
12	150617	2	3/8-16 x 1" Hex Head Machine Bolt
13	153005	2	3/8" Lock Washer
14	153004	2	3/8" Flat Washer
15	801009	1	Idler Square Washer
16	152004	1	5/16-18 Hex Nut
17	150509	1	5/16-18 x 3" Hex Head Machine Bolt

*Reversing Totally Enclosed, Fan-Cooled (T.E.F.C.) Motor Mount Assembly*



MAN0250

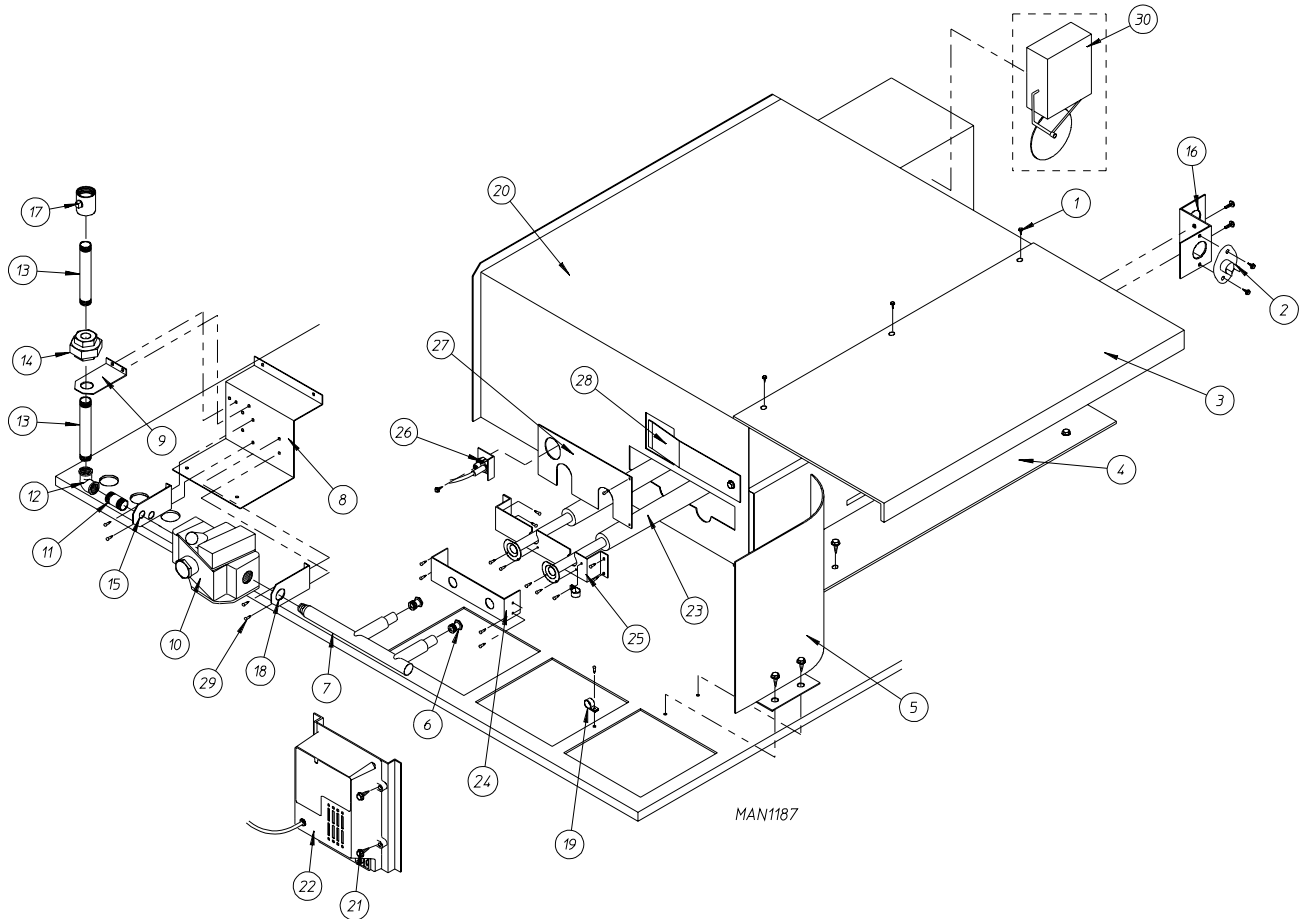
## Reversing Totally Enclosed, Fan-Cooled (T.E.F.C.) Motor Mount Assembly

<u>Illus. No.</u>	<u>Part No.</u>	<u>Qty.</u>	<u>Description</u>
1	100114	1	4L-630 V-Belt (motor to idler)
2	100701	1	3/16" x 3/16" x 1" Key
3	101130	1	5/8" x 2-1/2" Motor Pulley (for 60 Hz models Only)
	101139	1	5/8" x 2-3/4" Motor Pulley (for 50 Hz models Only)
4	120200	1	3/8" x 90° Connector
5	181003	1	1/2 hp 208/230/380/460v 3ø 50/60 Hz T.E.F.C. Motor (56Z frame)
6	150501	4	5/16-18 x 3/4" Hex Head Machine Bolt
7	153002	4	5/16" Lock Washer
8	153001	4	5/16" Flat Washer
9*	100023	1	3 hp 220/230/380/460v 3ø 50/60 Hz T.E.F.C. Motor with 3/4" Shaft (56Z frame)
10	120200	1	3/8" x 90° Connector
11	150501	4	5/16-18 x 3/4" Hex Head Machine Bolt
12	153002	4	5/16" Lock Washer
13	153001	4	5/16" Flat Washer
14	154000	8	5/16" Tinnerman Nut
15	152004	7	5/16" Hex Nut
16	153002	7	5/16" Lock Washer
17	153001	7	5/16" Flat Washer
18	800920	1	Reversing Motor Mount ONLY (56Z frame)
	803959	1	60 Hz Reversing T.E.F.C. Motor Mount Assembly Complete (includes illus. nos. 2 through 14 and 18 through 24)
	803964	1	50 Hz Reversing T.E.F.C. Motor Mount Assembly Complete (includes illus. nos. 2 through 14 and 18 through 24)
19	117604	5	Neoprene Sponge Tape (sold by the foot)
20	153051	1	3/4" S.A.E. Flat Washer
21	100705	1	3/16" x 3/16" x 1-3/8" Key
22	100605	1	13" Impellor with 5/8" Bore
23	153050	**	1/2" S.A.E. Flat Washer
24	152006	2	1/2-20 Left Hand Jam Nut

\* Check part number on motor data label to verify correct motor.

\*\* As required.

## UDG-80 Direct Spark Ignition (DSI) Upshot Burner Assembly



<u>Illus. No.</u>	<u>Part No.</u>	<u>Qty.</u>	<u>Description</u>
1	150300	19	#10 x 1/2" Hex Washer TEK Screw
2	130401	1	330° Hi-Limit Thermostat ONLY
3	323643	1	Oven Top Cover
4	323641	1	Burner Front
5	323644	1	Oven Inlet Cover
6	140838*	2	#3 (Natural Gas) Burner Orifice (for 60 Hz models mfd. as of August 20, 1992)
	140840*	2	#1 (Natural Gas) Burner Orifice (for 60 Hz models mfd. prior to August 20, 1992)
	140819*	2	#30 (Liquid Propane Gas) Burner Orifice (for 60 Hz models mfd. as of April 1, 1993)
	140821*	2	#28 (Liquid Propane Gas) Burner Orifice (for 60 Hz models mfd. prior to April 1, 1993)
	140840*	2	#1 (Natural Gas) Burner Orifice (for 50/60 Hz models mfd. as of August 20, 1992)
	140821*	2	#28 (Liquid Propane Gas) Burner Orifice (for 50/60 Hz models mfd. as of August 20, 1992)
	140832*	1	#4 (Natural Gas) Burner Orifice (for 50 Hz models mfd. as of August 20, 1992)
	140834*	1	#5 (Natural Gas) Burner Orifice (for 50 Hz models mfd. as of August 20, 1992)
	140819*	1	#30 (Liquid Propane Gas) Burner Orifice (for 50 Hz models mfd. as of August 20, 1992)
	140818*	1	#31 (Liquid Propane Gas) Burner Orifice (for 50 Hz models mfd. as of August 20, 1992)

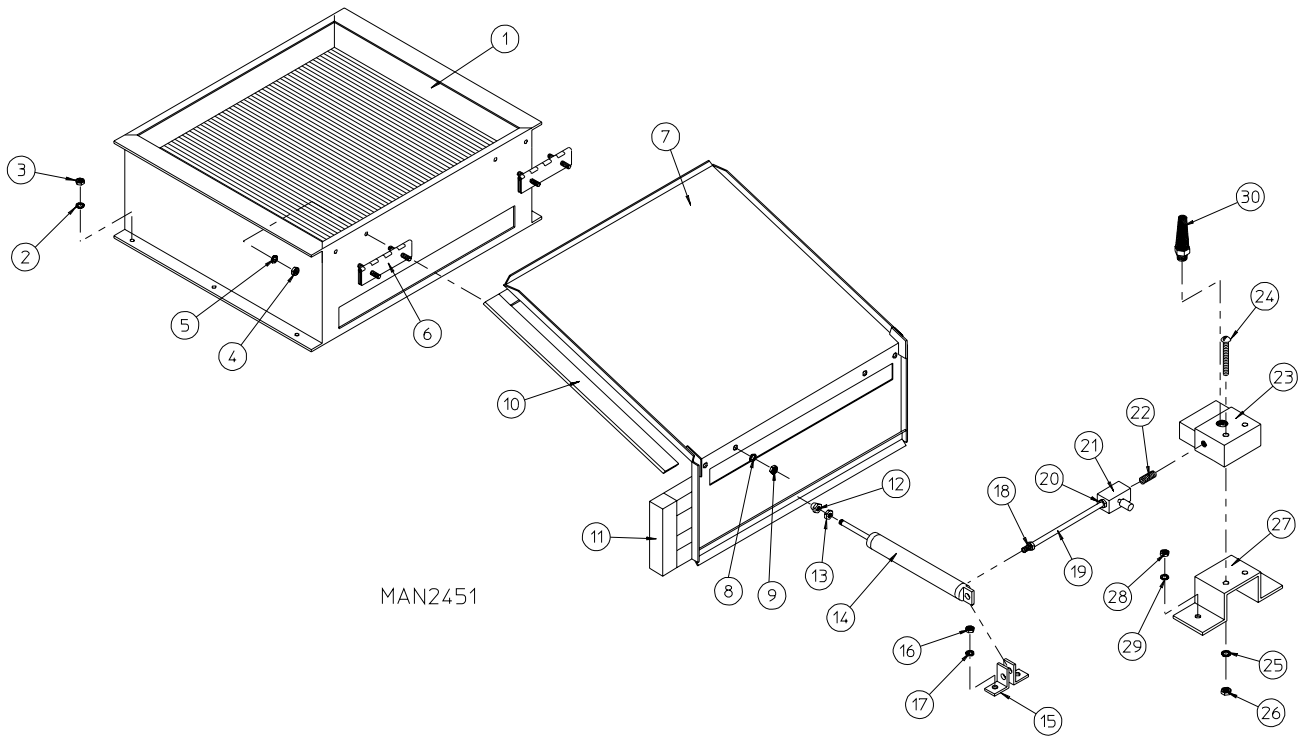
## UDG-80 Direct Spark Ignition (DSI) Upshot Burner Assembly (continued)

<u>Illus. No.</u>	<u>Part No.</u>	<u>Qty.</u>	<u>Description</u>
7	141247	1	1/2" 2-Port Swage Manifold (for models mfd. as of August 20, 1992)
	141246	1	1/2" 2-Port Manifold (for models mfd. prior to August 20, 1992)
8	323642	1	Gas Valve Support Bracket
	880822**	1	Gas Valve (Natural Gas) Manifold Assembly (includes illus. nos. 7 through 15, 17, 18 and 29)
	880823**	1	Gas Valve (Natural Gas) Manifold Assembly (includes illus. nos. 7 through 15, 17, 18 and 29)
9	332119	1	1-3/8" Hole Pipe Bracket
10	128928	1	1/2" 24 VAC Redundant (Natural Gas) Gas Valve (for models mfd. as of August 20, 1992)
	881052	1	1/2" DSI (Liquid Propane Gas) Gas Valve Assembly
	140411	1	1/2" 24 VAC Gas Valve (Liquid Propane Gas) Conversion Kit (for models mfd. as of August 20, 1992)
	140017	1	1" 24 VAC Redundant (Natural Gas) Gas Valve (for models mfd. prior to August 20, 1992)
	140018	1	1" 24 VAC Redundant (Liquid Propane Gas) Gas Valve (for models mfd. prior to August 20, 1992)
11	142715	1	1/2" x 1/2" Nipple
12	142923	1	1" x 1/2" Reducing Elbow
13	142808	2	1" x 3" Nipple
14	142602	1	1" Black Union
15	318317	1	7/8" Hole Pipe Bracket
16	319712	1	Burner Hi-Limit Bracket
17	141302	1	1" Shutoff Valve
18	331291	1	1-1/8" Hole Pipe Bracket
19	121492	2	3/16" Nylon Clamp
20	880824**	1	UDG-80 Burner Assembly Complete (for <u>60 Hz</u> models ONLY) (includes illus. nos. 1 through 4, 16 and 23 through 28)
	880824**	1	UDG-80 Burner Assembly Complete (for <u>50 Hz</u> models ONLY) (includes illus. nos. 1 through 4, 16 and 23 through 28)
21	150299	4	#10 x 1" Hex Washer TEK Screw
22	880815	1	<b>ADC</b> DSI (Direct Spark Ignition) Module ONLY (50/60 Hz)
23	141110	2	Burner Tube
24	323600	1	Manifold Retainer
25	323598	1	Burner Tube Holder
26	128915	1	Ignitor and Flame-Probe Assembly
	305412	1	Ignitor Gap Feeler Gauge ... Not Illustrated
27	323599	1	Burner Side Cover
28	323594	1	Burner Louver (for <u>60 Hz</u> models ONLY)
		2	Burner Louver (for <u>50 Hz</u> models ONLY)
29	150300	6	#10 x 1/2" Hex Washer TEK Screw
30	-----	-	Sail Switch Assembly (refer to <b>Sail Switch Assembly</b> on <b>page 23</b> )
---	880777*	1	UDG-80 Liquid Propane Conversion Kit with Orifices (for 60 Hz models mfd. as of August 20, 1992)
---	880778*	1	UDG-80 Liquid Propane Conversion Kit with Orifices (for 50 Hz models mfd. prior to August 20, 1992)
---	880763*	1	UDG-80 Liquid Propane Conversion Kit with Orifice (for models mfd. with the 1" Robershaw Gas Valve prior to August 20, 1992)

\* Consult factory for elevations over 2,000 feet.

\*\* Burner orifice is not included and must be ordered separately.

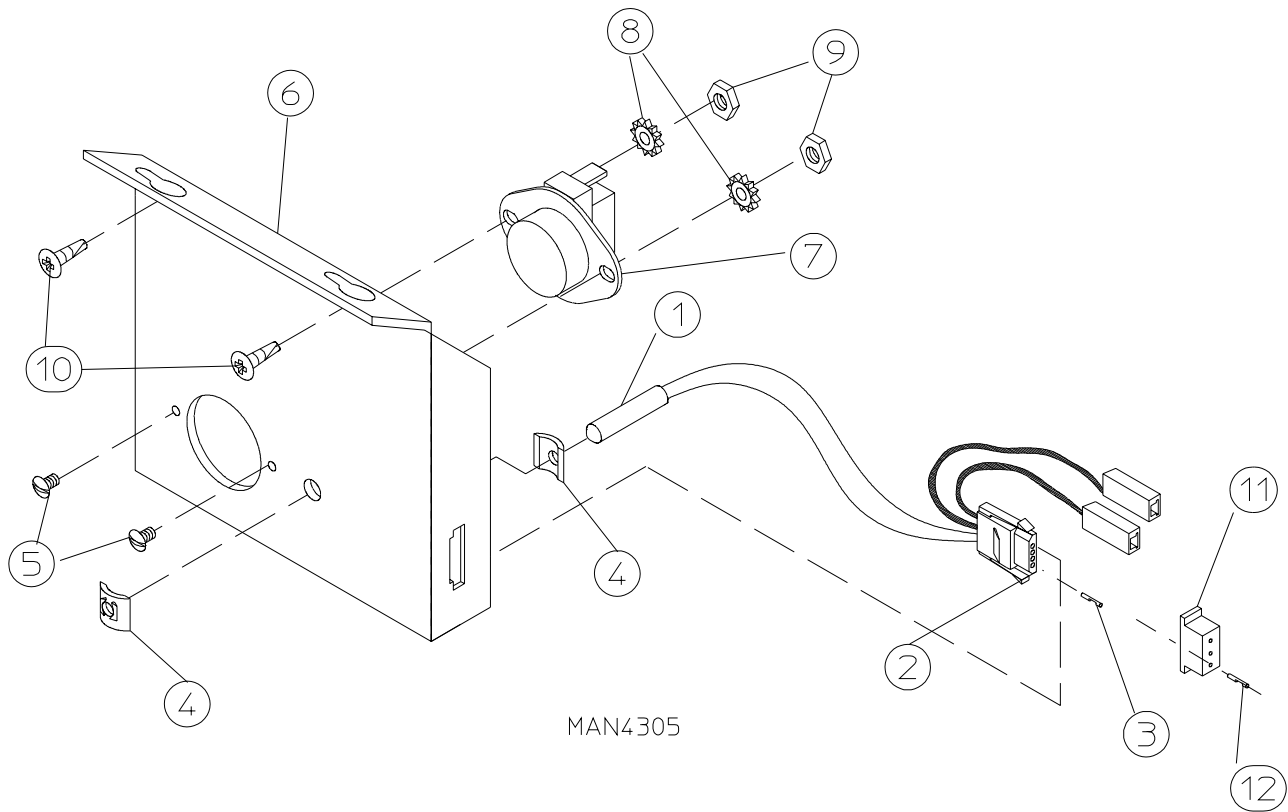
# UDS-80 Air Operated Steam Damper Assembly



## *UDS-80 Air Operated Steam Damper Assembly*

---

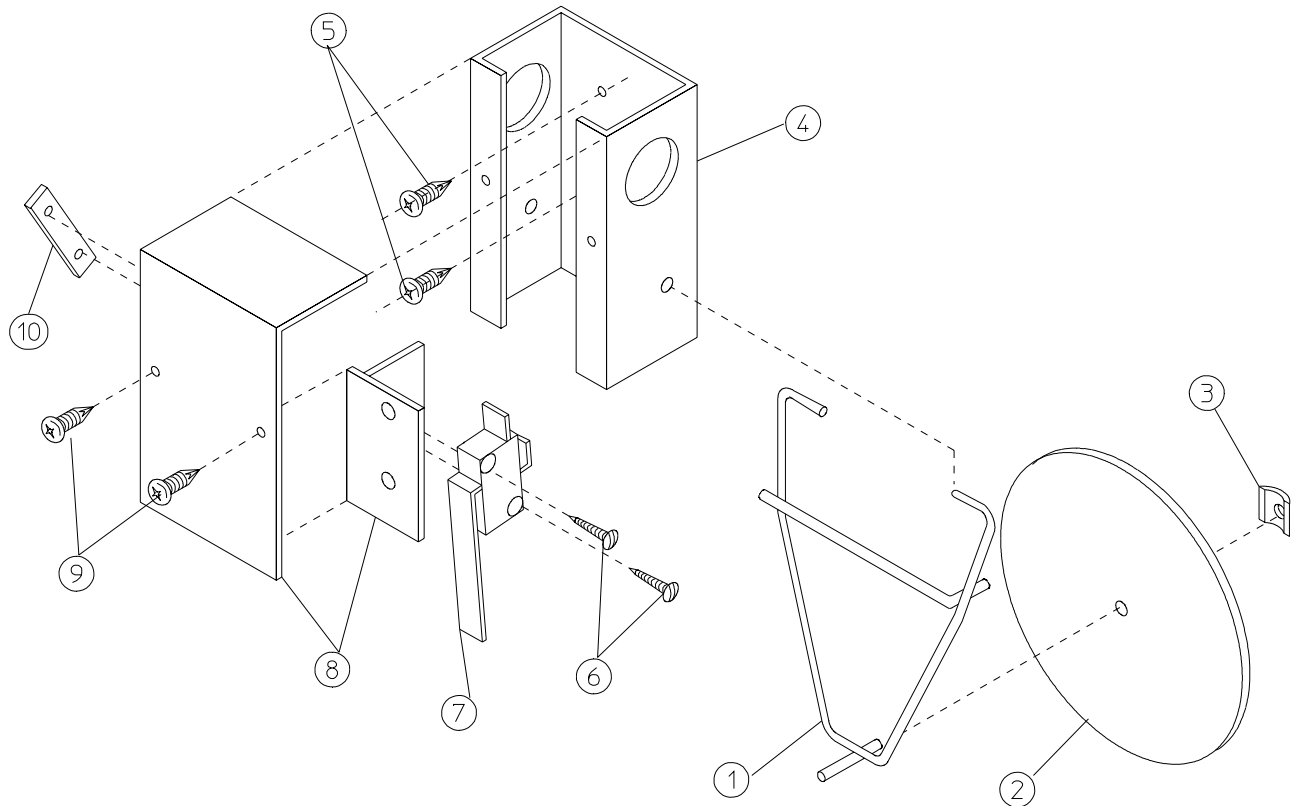
<u>Illus. No.</u>	<u>Part No.</u>	<u>Qty.</u>	<u>Description</u>
1	165009	1	UDS-80 Steam Coil
2	153002	6	5/16" Lock Washer
3	152004	6	5/16-18 Hex Nut
4	152002	4	1/4-20 Hex Nut
5	153007	4	1/4" Lock Washer
6	820321	2	UDS-80 Steam Damper Hinge Assembly ONLY
7	803415	1	UDS-80 Steam Damper Assembly (includes illus. nos. 7, 10 and 11)
8	153007	4	1/4" Lock Washer
9	152002	4	1/4-20 Hex Nut
10	115995	108	Steam Damper Gasket (sold by the inch)
11	102350	1	Steam Damper Foam (68-1/2" length)
12	151007	1	7/16-20 Stainless Steel Acorn Nut
13	152007	1	7/16-20 Hex Nut
14	100497	1	1-1/4" Bore x 3" Stroke Piston
15	100492	1	Piston Support Bracket
16	152002	4	1/4-20 Hex Nut
17	153007	4	1/4" Lock Washer
18	100472	1	1/4" x 1/8" Connector
19	143110	1	1/4" Tubing (sold by the foot)
20	100470	1	1/4" x 1/8" Connector
21	100496	1	1/8" Needle Valve
22	143238	1	1/8" Close Nipple
23	100498	1	3-Way Micro Valve – 24 VAC
24	150002	2	#6-32 x 1" Slotted Head Machine Screw
25	153010	2	#6 Star Washer
26	152000	1	#6-32 Hex Nut
27	330987	1	Micro Valve Support Bracket
28	152002	2	1/4-20 Hex Nut
29	153007	2	1/4" Lock Washer
30	100520	1	1/8" N.P.T. Silencer (muffler)



Illus. No.	Part No.	Qty.	Description
1	880251	1	1/4" Temperature Sensor Probe Assembly (includes illus. nos. 1 through 4)
2	122605	1	4-Pin Socket Connector ONLY
3	122701	4	Socket Terminal ONLY
	122801	1	Pin/Socket Extraction Tool
4	154007	2	1/4" Tinnerman Push-on Fastener
5	150000	2	#6-32 x 1/4" Right Hand Machine Screw
6	802174	1	Sensor Bracket Assembly Complete (includes illus. nos. 1 through 9)
	323626	1	Temperature Sensor Bracket ONLY
7	130103	1	225° Large Automatic Thermostat
8	153010	2	#6 Star Washer
9	152000	2	#6-32 Hex Nut
10	150301	2	#8-18 x 7/16" Phillips Pan Head TEK Screw
11	122604	1	4-Pin Connector ONLY
12	122700	4	Pin Terminal ONLY



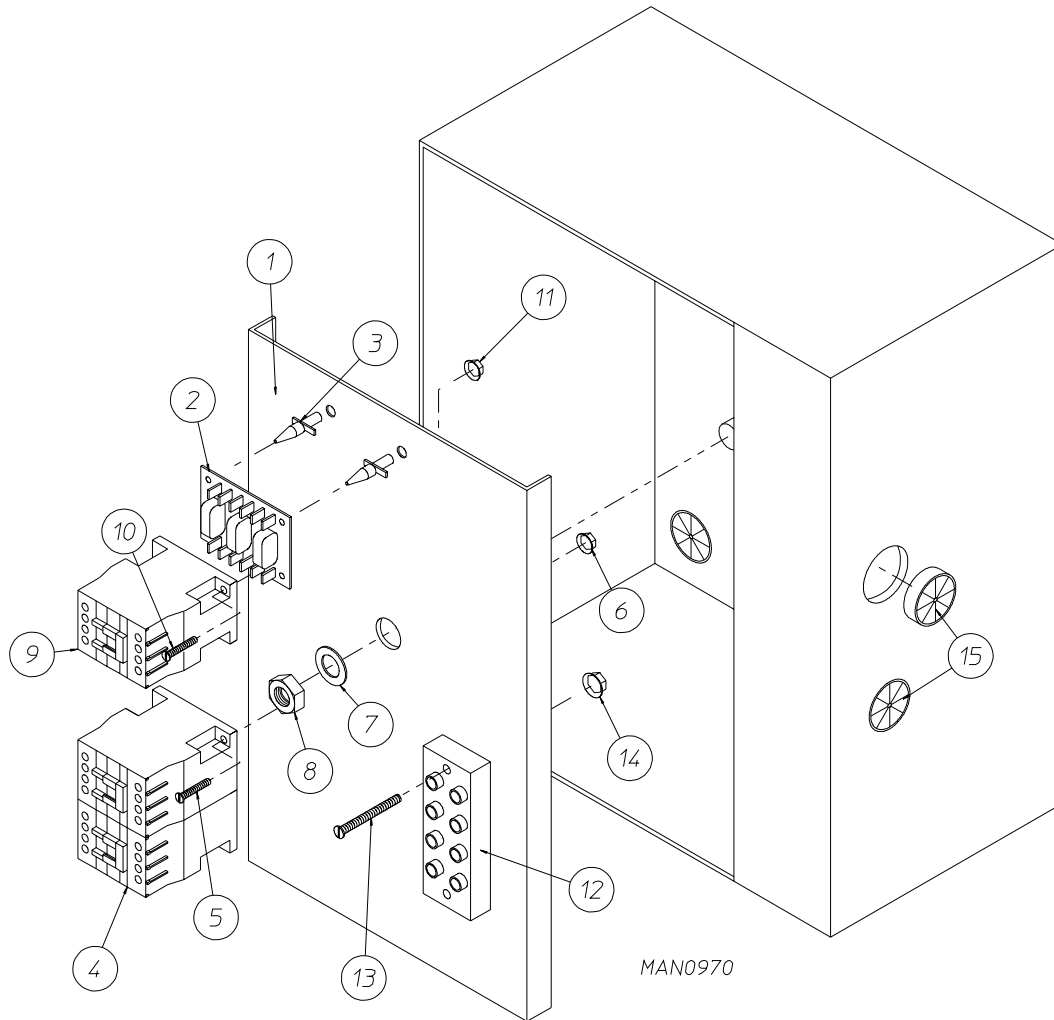
# Sail Switch Assembly



MAN0440

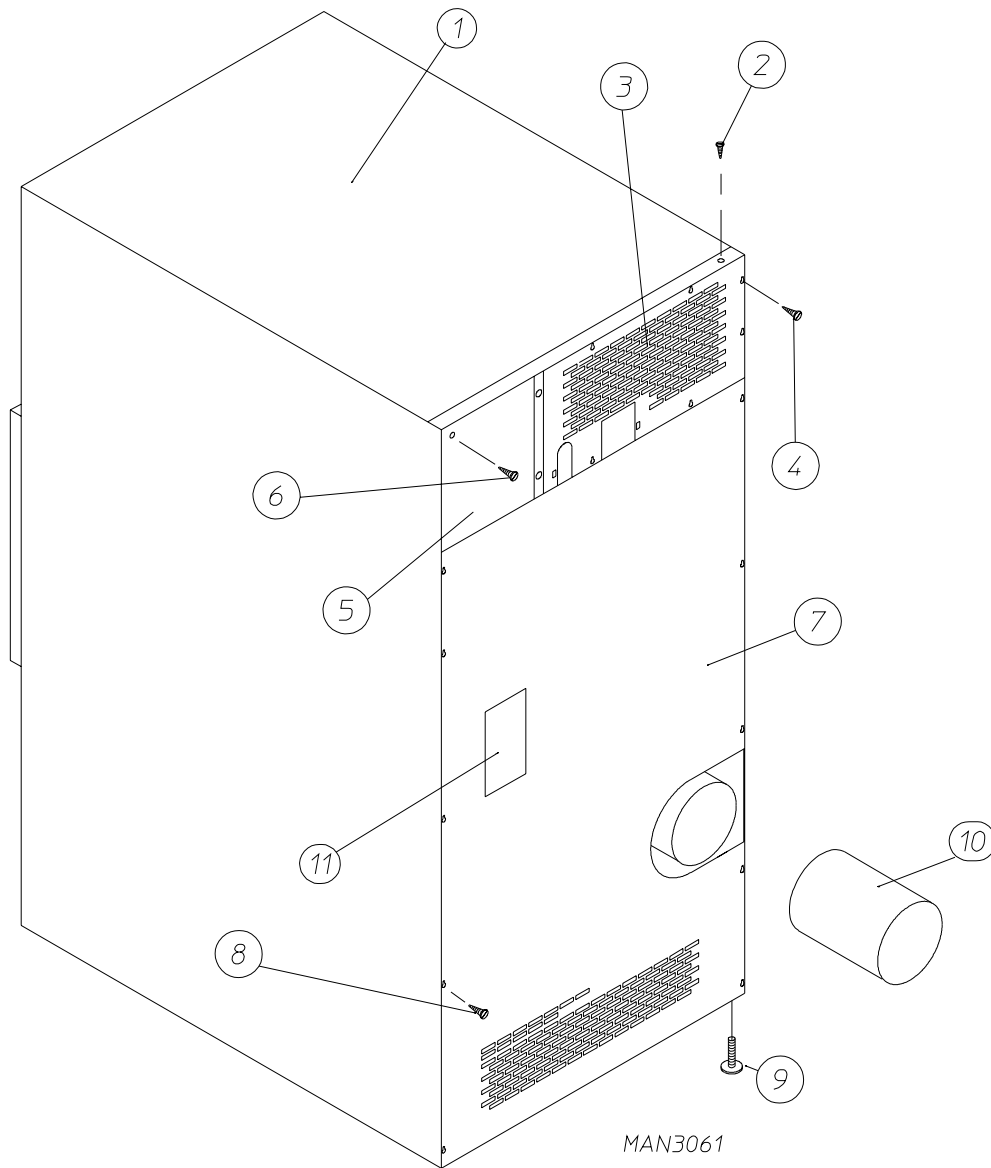
<u>Illus. No.</u>	<u>Part No.</u>	<u>Qty.</u>	<u>Description</u>
1	105500	1	Sail Switch Actuator Rod
2	319202	1	Sail Switch Damper (flat)
3	154002	1	1/8" Push-On Fastener
4	802800	1	Sail Switch Box with Cover and Bracket ONLY
	802801	1	Sail Switch Box Assembly Complete (includes illus. nos. 1 through 4 and 6 through 10)
5	150300	2	#10 x 1/2" Hex Washer TEK Screw
6	150303	2	#4 x 3/4" Pan Head "A" Machine Screw
7	122200	1	Sail Switch ONLY
8	802799	1	Sail Switch Box Cover and Bracket ONLY
9	150309	2	#10-16 x 1/4" Hex Head TEK Crimptite Screw
10	154004	1	Twin Speed Nut

## Microprocessor Reversing Rear Control Box Assembly



<u>Illus. No.</u>	<u>Part No.</u>	<u>Qty.</u>	<u>Description</u>
1	322812	1	Back Electrical Box Component Plate
2	137060	1	Arc Suppressor Board ONLY
3	137013	2	Nylon Standoff
4	132431	1	Reversing Contactor (208/230/240v, 50/60 Hz) – 24 VAC
	132432	1	Reversing Contactor Replacement Coil (208/230/240v, 50/60 Hz) – 24 VAC
5	150103	2	#8-32 x 3/4" Phillips Round Head Machine Screw
6	151001	2	#8-32 Pal Nut
7	153002	1	5/16" Lock Washer
8	152004	1	5/16-18 Hex Nut
9	132445	1	3 hp Contactor ONLY
10	150103	2	#8-32 x 3/4" Phillips Round Head Machine Screw
11	151001	2	#8-32 Pal Nut
12	120701	1	4-Position Terminal Block
13	150008	2	#6-32 x 1-1/4" Slotted Round Head Machine Screw
14	151000	2	#6-32 Pal Nut
15	121300	3	Open and Close Bushing
---	322809	1	Black Electrical Box Cover ... Not Illustrated
---	150301	4	#8-18 x 7/16" Phillips Pan Head TEK Screw ... Not Illustrated

## Top/Back Guard Assemblies



<u>Illus. No.</u>	<u>Part No.</u>	<u>Qty.</u>	<u>Description</u>
1	312527	1	Outer Top Assembly (for Gas Models Only)
2	150301	8	#8-18 x 7/16" Phillips Pan Head TEK Screw
3	314510	1	Top Back Guard
4	150301	8	#8-18 x 7/16" Phillips Pan Head TEK Screw
5	322809	1	Rear Electrical Box Cover
6	150301	8	#8-18 x 7/16" Phillips Pan Head TEK Screw
7	314511	1	Lower Back Guard
8	150301	8	#8-18 x 7/16" Phillips Pan Head TEK Screw
9	103500	4	Adjustable Leveling Leg
10	880939	1	10" Damper Assembly (for Gas Models Only)
	104005	1	12" Damper Assembly (for Steam Models Only)
11	112519	1	"Routine Maintenance Schedule" Label ONLY

<u>Part No.</u>	<u>Description</u>
112039	“Black/White/Green Ground” Label
112280	“Clean Lint Screen” Label
112534	“Phase 5 OPL Program Location Summary” Label
114001	“CAUTION – Exhausted/Lint Screen” Label
114006	“WARNING – Fire Hazards” Label
120802	Red Butt Connector
120902	#74B Wire Nut
120903	Crimp-on Wire Nut
121006	#10 Insulated Ring Terminal
121014	1/4” Insulated (female) Terminal
121026	Tab Receptacle Combination
121499	5-1/2” Harness Tie
121500	8” Harness Tie
121503	Harness Tie Mounting Clip
122804	Manometer (Hydro Gauge) for measuring Gas Pressure
404500	Almond Brush-In-Cap Bottle Touch-Up Paint
404502	White-Brush-In-Cap Bottle Touch-Up
404506	Beige Brush-In-Cap Bottle Touch-Up Paint
404507	Cornflower Blue Brush-In-Cap Bottle Touch-Up Paint
880200	Electrical Terminal (assortment) Kit



