



SL50 / SL75 Parts Manual

American Dryer Corporation
88 Currant Road
Fall River, MA 02720-4781
Telephone: (508) 678-9000 / Fax: (508) 678-9447
E-mail: techsupport@amdry.com

www.amdry.com

Retain This Manual In A Safe Place For Future Reference

This product embodies advanced concepts in engineering, design, and safety. If this product is properly maintained, it will provide many years of safe, efficient, and trouble free operation.

ONLY properly licensed technicians should service this equipment.

OBSERVE ALL SAFETY PRECAUTIONS displayed on the equipment or specified in the installation manual included with the dryer.

The following "FOR YOUR SAFETY" caution must be posted near the dryer in a prominent location.

FOR YOUR SAFETY

Do not store or use gasoline or other flammable vapors and liquids in the vicinity of this or any other appliance.

POUR VOTRE SÉCURITÉ

Ne pas entreposer ni utiliser d'essence ni d'autres vapeurs ou liquides inflammables à proximité de cet appareil ou de tout autre appareil.

We have tried to make this manual as complete as possible and hope you will find it useful. The manufacturer reserves the right to make changes from time to time, without notice or obligation, in prices, specifications, colors, and material, and to change or discontinue models.

Important

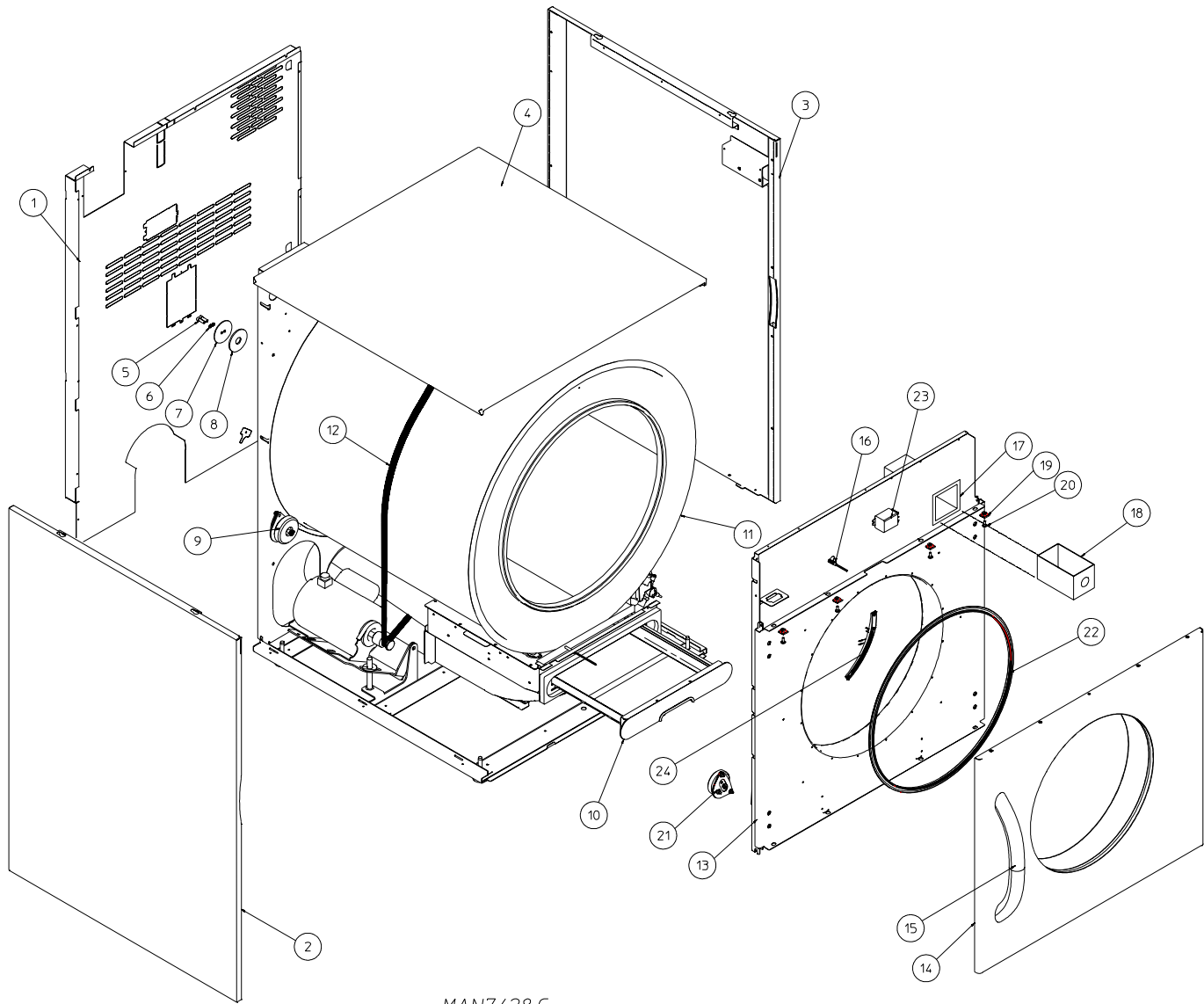
For your convenience, log the following information:

DATE OF PURCHASE _____ MODEL NO. _____

RESELLER'S NAME _____

Serial Number(s) _____

Parts Diagram

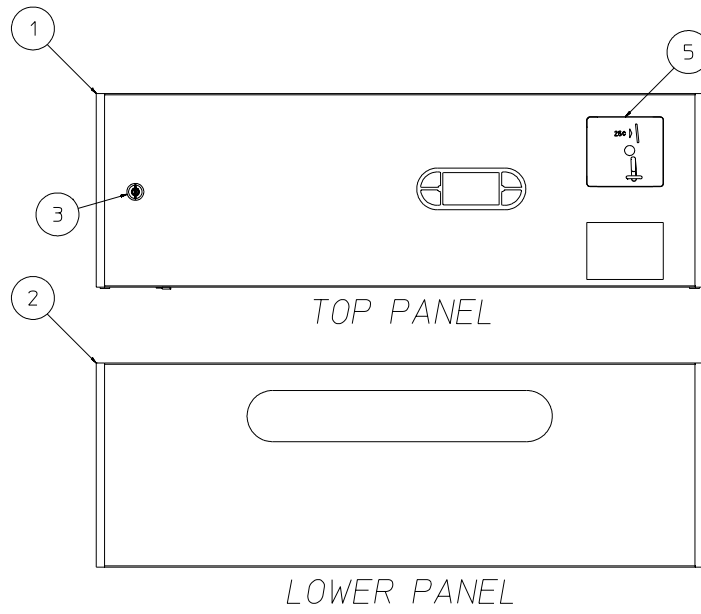


MAN7428.C

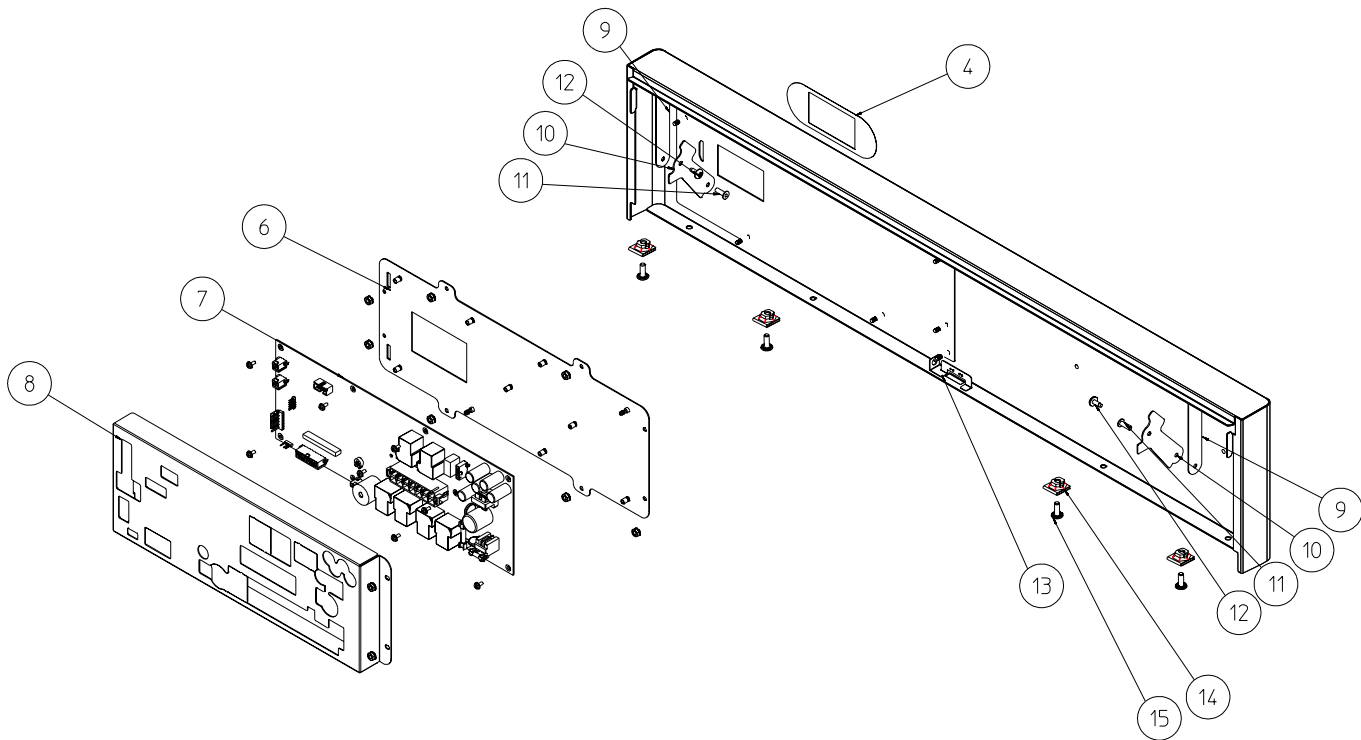
<u>Illus. No.</u>	<u>Part No.</u>	<u>Qty.</u>	<u>Description</u>
1	851399	1	SL50 / SL75 Back Guard Assembly for Gas and Electric (for models mfd. as of July 27, 2005)
	851400		SL50 / SL75 Back Guard Assembly for Steam
2	851253	1	SL50 Left Side Panel Assembly
	851345	1	SL75 Left Side Panel Assembly
3	851255	1	SL50 Right Side Panel Assembly
	851343	1	SL75 Right Side Panel Assembly
4	851268	1	SL50 Top Panel Assembly
	851367	1	SL75 Top Panel Assembly
5	153064	2	1/4-20 x 1/2" Socket Cap Screw
6	153072	2	1/4" High Collar Lock Washer
7	185426	1	Dual Screw Backup Washer
8	153048	2	Inner Friction Pad
	354217	1	3/4" Plate Spacer ... Not Illustrated
	185240	1	Extended Tumbler Shaft ... Not Illustrated
9	851372	2	Rear Wheel Bracket Assembly (for models without banded tumbler)
	851562	2	Rear Wheel Bracket Assembly (for models with banded tumbler)
	180060	1	3-1/2" Wheel ONLY
10	819295*	1	Large Lint Drawer Assembly (painted)
	851380	1	Large Lint Drawer Assembly (stainless steel)
11	851557	1	SL50 Stainless Steel Tumbler with Band
	851555	1	SL75 Stainless Steel Tumbler with Band
	851374	1	SL50 Galvanized Tumbler
	851376	1	SL75 Galvanized Tumbler
12	102410	1	SL50 / SL75 15 Rib Drive Belt (for all SL75 and SL50 models mfd. as of February 3, 2006)
	102409	1	SL50 12 Rib Drive Belt (for SL50 models mfd. prior to February 3, 2006)
13	887190	1	SL50 / SL75 Non-Coin Mid Support Panel with Auto (black)
	887146	1	SL50 / SL75 Non-Coin Mid Support Panel with Auto (white)
	887147	1	SL50 / SL75 Non-Coin Mid Support Panel with Auto (stainless steel)
	887121	1	SL50 / SL75 Coin Mid Support Panel (black)
	887122	1	SL50 / SL75 Coin Mid Support Panel (white)
	887123	1	SL50 / SL75 Coin Mid Support Panel (stainless steel)
14	851274*	1	Main Door Assembly Complete with Handle (painted)
	851272	1	Main Door Assembly Complete with Handle (stainless steel)
	103067	3	Door Hinge ... Not Illustrated
15	170233*	1	Main Door Handle
16	818370	1	Rotation Sensor
17	851384	1	Coin Vault
	122002	1	Coin Vault Switch ... Not Illustrated
18	125916	1	Coin Box with 2 Keys (Note: each lock keyed different)
19	154061	4	Tinnerman U-Nut Retainer
20	183129	4	#10-32 x 1/2" T20 Truss Head
21	851371	2	Front Wheel Bracket Assembly (for models without banded tumbler) (refer to parts breakdown on page 15)
	851530	2	Front Wheel Bracket Assembly (for models with banded tumbler) (refer to parts breakdown on page 15)
22	102397	1	SL50 / SL75 Door Gasket
23	131819	1	DPDT Reversing Relay 120V
	131818	1	DPDT Reversing Relay 208-240V
24	819365	1	Moisture Sensor Assembly

* Specify color when ordering.

Parts Diagram



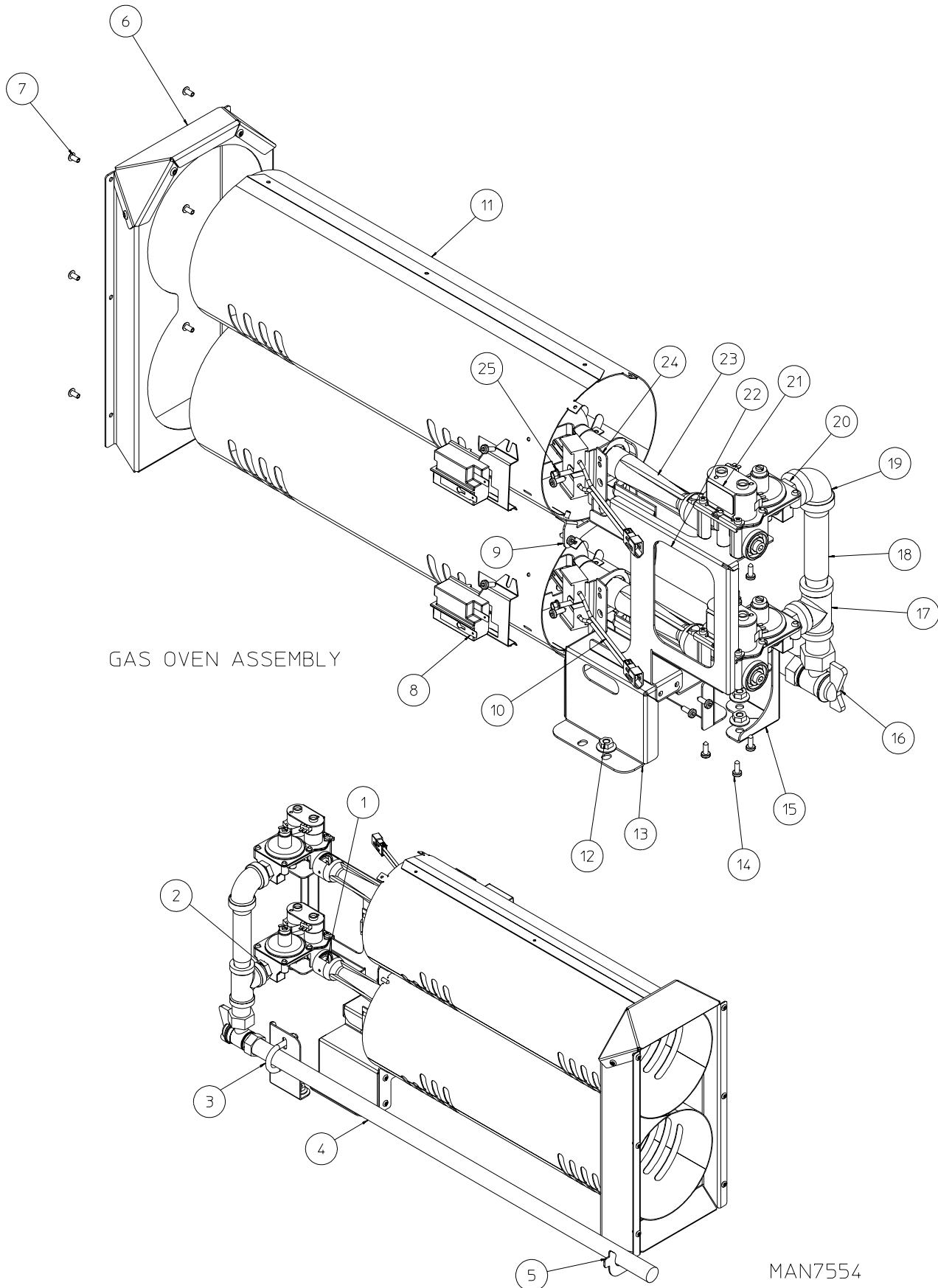
MAN7540



<u>Illus. No.</u>	<u>Part No.</u>	<u>Qty.</u>	<u>Description</u>
1	851522	1	Phase 8 Coin Control Panel Assembly Complete
	814720	1	Phase 8 Non-Coin Control Panel Assembly Complete (for models mfd. as of December 21, 2010)
	851518	1	Phase 8 Non-Coin Control Panel Assembly Complete (for models mfd. prior to December 21, 2010)
	851521	1	Phase 8 Coin Control Panel (panel Only)
	814718	1	Phase 8 Non-Coin Control Panel (panel Only) (for models mfd. as of December 21, 2010)
	851517	1	Phase 8 Non-Coin Control Panel (panel Only) (for models mfd. prior to December 21, 2010)
	2	185121*	1
185122		1	Lower Panel (stainless steel)
3	160071	1	Key Lock Switch (for models mfd. as of December 22, 2010)
	160040	1	XX4451 Lock (for models mfd. prior to December 22, 2010)
	160140	2	XX4451 Key
	122200	1	Microswitch (for models mfd. prior to December 22, 2010)
	160066	1	Offset Cam for Lock (for models mfd. prior to December 22, 2010)
	154004	1	Twin Speed Nut (for models mfd. prior to December 22, 2010)
	4	112587	1
112586		1	Phase 8 Non-Coin Keypad
5	818213	1	25¢ Coin Acceptor Assembly with Optic Switch
	819264	1	Programmable Euro / UK Coin Acceptor
	887041	1	Optic Switch ONLY (for 25¢ coin acceptor)
6	819508	1	Control Mount Assembly (for models mfd. prior to December 21, 2010)
7	887092	1	Phase 8 Microprocessor without Fire Suppression System
	887093	1	Phase 8 Microprocessor with Fire Suppression System
	136116	1	3-amp Fuse
	136056	1	20-amp Fuse
8	333836	1	Computer Board Cover (for models mfd. as of December 21, 2010)
	350250	1	Computer Board Cover (for models mfd. prior to December 21, 2010)
9	333777	2	Door Guide Strip ... Not Illustrated (for models mfd. as of December 21, 2010)
	350203	2	Door Guide Strip (for models mfd. prior to December 21, 2010)
10	350204	2	Cabinet Guide Strip (for models mfd. prior to December 21, 2010)
11	154220	4	Button Head Pop Rivet
12	183008	2	Keyhole Button (for models mfd. as of December 21, 2010)
	150313	2	#10-16 x 5 TORX® Screw (for models mfd. prior to December 21, 2010)
13	819196	1	Main Door Switch Assembly
	813411	1	Door Switch Extension Harness ... Not Illustrated
14	154061	4	Tinnerman U-Nut Retainer
15	183129	4	#10-32 x 1/2" T20 Truss Head

* Specify color when ordering.

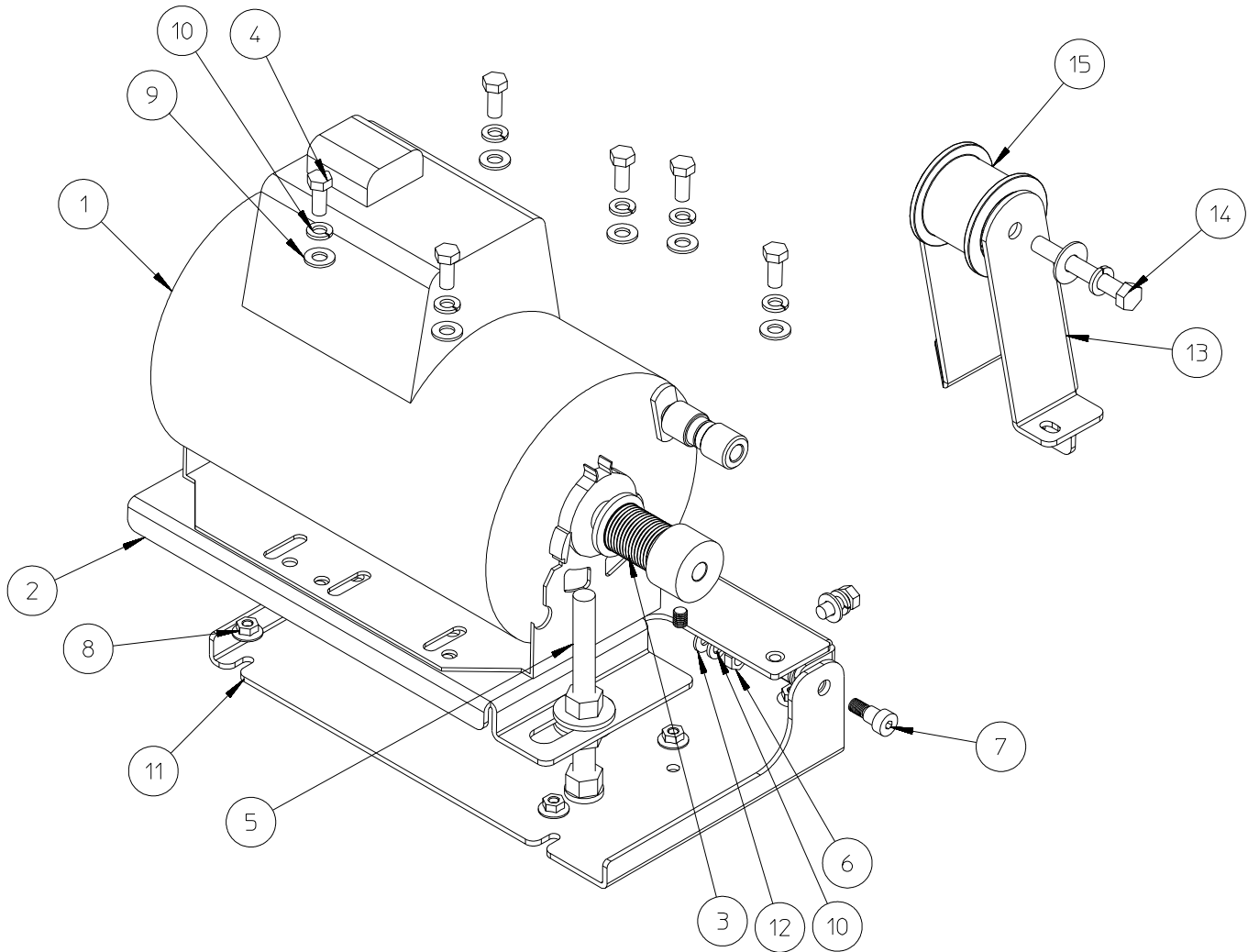
Parts Diagram



<u>Illus. No.</u>	<u>Part No.</u>	<u>Qty.</u>	<u>Description</u>	
1*	140877	2	SL50 #29 Orifice Natural Gas	
	140880	2	SL75 #22 Orifice Natural Gas	
	140881	2	SL50 #47 Orifice Liquid Propane	
	140905	2	SL75 #44 Orifice Liquid Propane	
	884248	1	SL50 Liquid Propane Conversion Kit	
	884249	1	SL75 Liquid Propane Conversion Kit	
	2	183137	2	3/8" Close Nipple Black Iron
	3	154355	1	U-Bolt with Nuts for 1/2" Black Pipe
4	143344	1	SL50 1/2" x 26" Black Pipe	
	142636	1	SL75 1/2" x 36" Black Pipe	
5	350226	1	Rear Gas Pipe Support	
6	851387	1	Burner Funnel Transition Assembly	
7	154200	14	5/32 Pop Rivet	
8	130500	2	Radiant Heat Sensor	
9	350217	1	Burner Funnel Top Lip Bracket	
10	128910	2	Hot Surface Ignitor	
11	851386	1	SL50 60 Hz Natural Gas Dual Burner Assembly	
	851389	1	SL50 50 Hz Natural Gas Dual Burner Assembly	
	851390	1	SL75 60 Hz Natural Gas Dual Burner Assembly	
	851391	1	SL75 60 Hz Natural Gas Dual Burner Assembly	
	350219	2	SL50 Round Gas Burner Funnel	
	350223	2	SL75 Round Gas Burner Funnel	
	12	152014	4	1/4-20 Free Spin Nut
13	350221	1	Dual Round Gas Burner Support Bracket	
14	150331	19	#8-18 x 1/2" Pan Head TORX® Screw	
15	350253	1	Front Gas Pipe Bracket	
16	881367	1	Gas Shutoff Assembly	
17	142820	1	1/2" x 1/2" x 1/2" Black Iron Tee	
18	142703	1	1/2" x 4" Black Iron Pipe	
19	142500	1	1/2 - 90° Elbow	
20	142953	2	3/8" x 1/2" Steel Bushing	
	128944	2	25M Gas Valve 120 VAC 60 Hz	
21	128907	2	25M Gas Valve 120 VAC 50 Hz	
	350220	1	Dual Gas Valve Bracket	
22	183144	2	In-Shot Tube	
23	185063	2	Ignitor Bracket	
24	183145	2	Hot Surface Ignitor Mounting Screw	
25				

* Consult factory for elevation over 2,000 feet for correct burner orifice size.

Parts Diagram

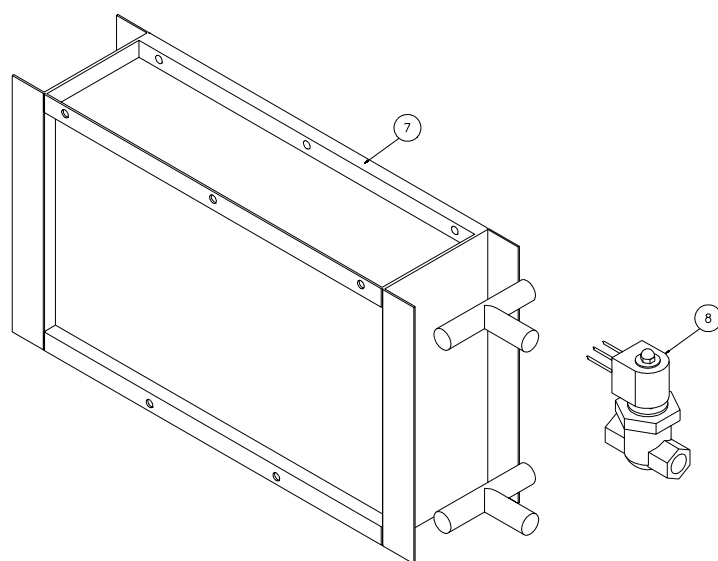


MAN7556

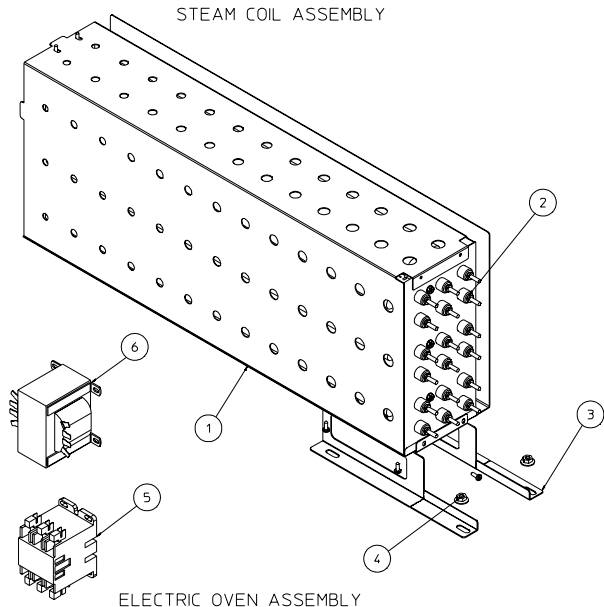
Drive Motor Assembly

<u>Illus. No.</u>	<u>Part No.</u>	<u>Qty.</u>	<u>Description</u>	
1	851570	1	SL75 Motor Assembly with Mount (for all 60 Hz models except 208 volt)	
	851544	1	SL75 Motor Assembly with Mount (for 208 volt 60 Hz)	
	851545	1	SL75 Motor Assembly with Mount (for all 50 Hz models)	
	851570	1	SL50 Motor Assembly with Mount (for 60 Hz models mfd. as of February 3, 2006)	
	851545	1	SL50 Motor Assembly with Mount (for 50 Hz models mfd. as of February 3, 2006)	
	851286	1	SL50 Motor Assembly with Mount (for 60 Hz models mfd. prior to February 3, 2006)	
	851315	1	SL50 Motor Assembly with Mount (for 50 Hz models mfd. prior to February 3, 2006)	
	181122	1	Drive Motor (for all models except SL75 208 volt 60 Hz)	
	181127	1	Drive Motor (for SL75 208 volt 60 Hz)	
	2	851543	1	Motor Mount Plate Assembly (for models mfd. as of August 2, 2006)
851285		1	Motor Mount Clinch Nut Assembly (for models mfd. prior to August 2, 2006)	
3	185420	1	SL50 / SL75 15 Rib 60 Hz Motor Sheave (for all SL75 and SL50 models mfd. as of February 3, 2006)	
	185462	1	SL50 / SL75 15 Rib 50 Hz Motor Sheave (for all SL75 and SL50 models mfd. as of February 3, 2006)	
	350266	1	SL50 12 Rib 60 Hz Motor Sheave (for models mfd. prior to February 3, 2006)	
	350267	1	SL50 12 Rib 50 Hz Motor Sheave (for models mfd. prior to February 3, 2006)	
	154321	1	5/16-24 x 3/8" Setscrew	
	170733	1	Loctite ... Not Illustrated	
	4	150501	7	5/16-18 x 3/4" Hex Head Bolt
5	150609	1	1/2"-13 x 4-1/2" Bolt (for models mfd. as of August 2, 2006)	
	150616	1	1/2"-13 x 5-1/2" Bolt (for models mfd. prior to August 2, 2006)	
	152011	3	1/2"-13 Hex Nut	
	153033	2	1/2" x 1-3/8" Flat Washer	
	6	152004	2	5/16-18 Hex Nut
	7	154266	2	5/16-18 Shoulder Bolt
	8	152014	5	Free Spin Wash Nut
9	153001	7	Flat Washer	
10	153002	9	Split Lock Washer	
11	350301	1	Motor Mount Base Assembly (for models mfd. as of August 2, 2006)	
	851284	1	Motor Mount Base Assembly (for models mfd. prior to August 2, 2006)	
12	153018	2	1/4" Flat Washer	
13	851510	1	Idler Arm (for models mfd. prior to August 2, 2006)	
	150634	1	3/8" x 2-3/4" Hex Cap Screw (for models mfd. prior to August 2, 2006)	
14	153004	1	1" Flat Washer (for models mfd. prior to August 2, 2006)	
	153005	1	3/8" Lock Washer (for models mfd. prior to August 2, 2006)	
	100281	1	Idler Wheel (for models mfd. prior to August 2, 2006)	

Parts Diagram / List



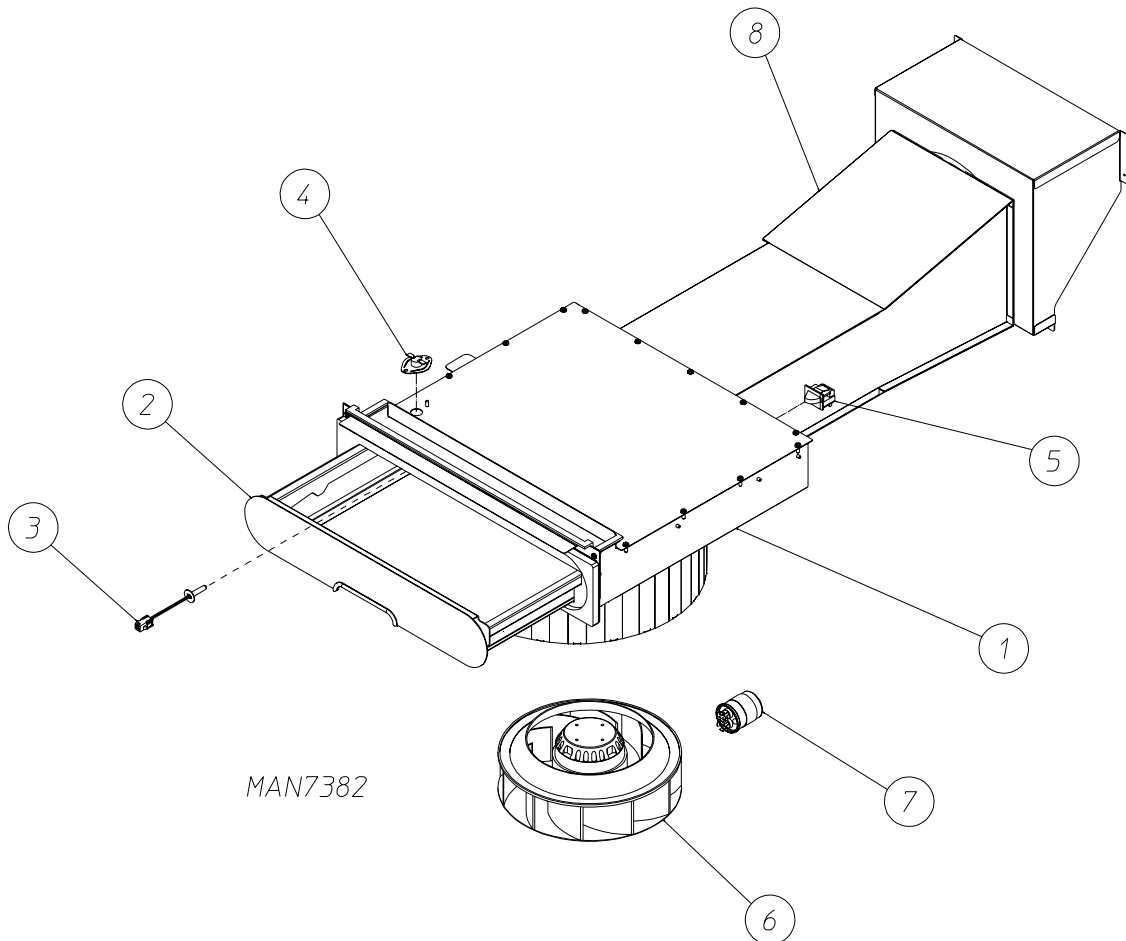
STEAM COIL ASSEMBLY



ELECTRIC OVEN ASSEMBLY

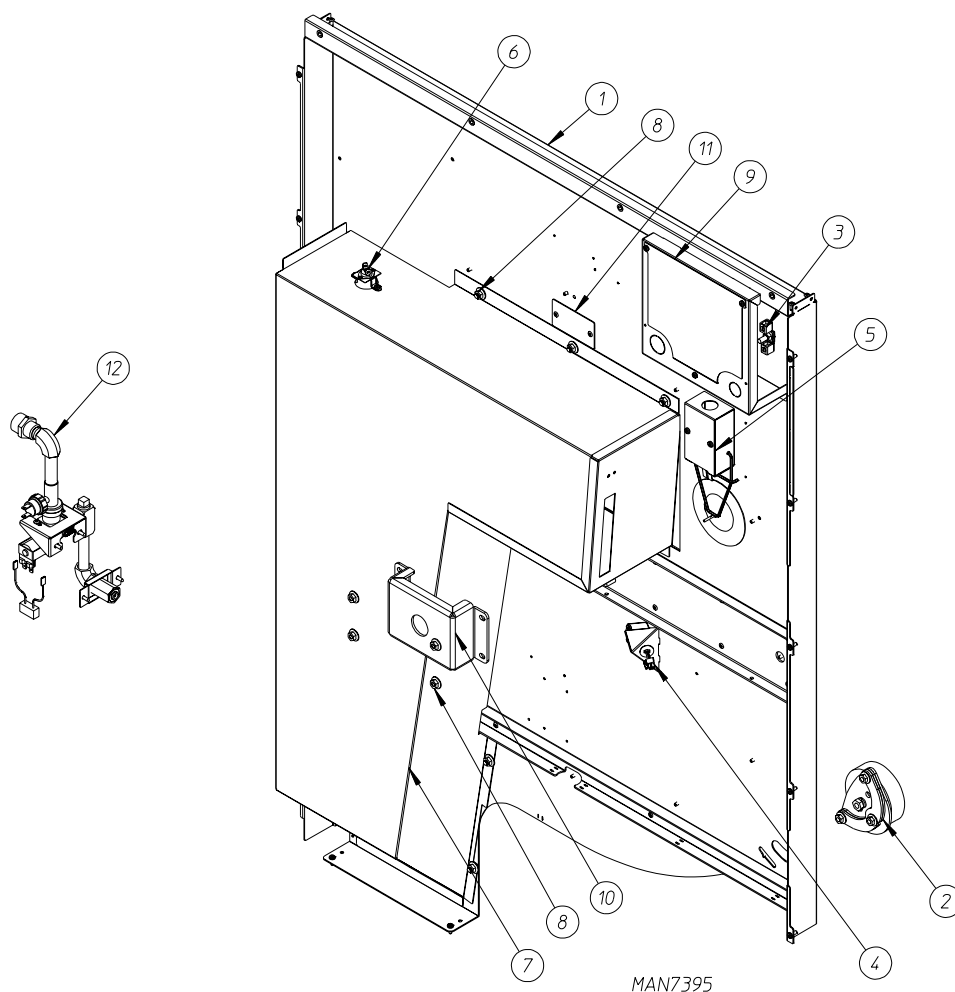
MAN7555

<u>Illus. No.</u>	<u>Part No.</u>	<u>Qty.</u>	<u>Description</u>
1	851395	1	SL50 Electric Oven Assembly 200-415v
	851396	1	SL75 Electric Oven Assembly 200-415v
2	119996	1	SL50 16 kW Element
	119997	1	SL75 22 kW Element
3	350230	1	Electric Oven Support Bracket
4	152014	2	Free Spin Wash Nut
5	131322	1	208/240v 30A Contactor 50/60 Hz
	131323	1	120v 40A Contactor 50/60 Hz
	131324	1	208/240v 40A Contactor 50/60 Hz
	131325	1	120v 50A Contactor 50/60 Hz
	131329	1	120v 75A Contactor 50/60 Hz
	131330	1	208/240v 75A Contactor 50/60 Hz
6	132029	1	Auto Transformer
7	165067	1	Copper Steam Coil
8	813415	1	Steam Solenoid Phase 8 Assembly 120v
	813416	1	Steam Solenoid Phase 8 Assembly 220-240v

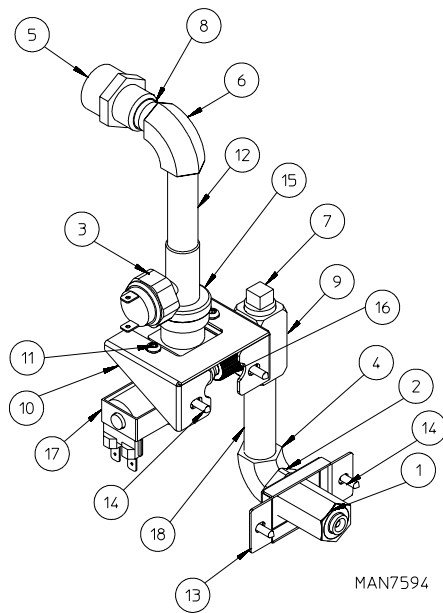


<u>Illus. No.</u>	<u>Part No.</u>	<u>Qty.</u>	<u>Description</u>
1	819299	1	Large Lint Box Assembly (includes illus. nos. 3 through 5)
2	819295	1	Large Cold Rolled Steel Lint Drawer Assembly
3	818369	1	Exhaust Temperature Probe Assembly
4	130119	1	190° Exhaust Hi-Limit Sensor
5	122002	1	Lint Drawer Switch
6	851242	1	115v Impellor and Capacitor Assembly
	851243	1	230v Impellor and Capacitor Assembly
	150691	4	Impellor Mounting Screw ... Not Illustrated
	153007	4	Lock Washer for Impellor Mounting Screw ... Not Illustrated
7	100618	1	Capacitor for 115v Blower Impellor
	100670	1	Capacitor for 230v Blower Impellor
8	851292	1	SL50 Blower Housing Complete Assembly
	851365	1	SL75 Blower Housing Complete Assembly

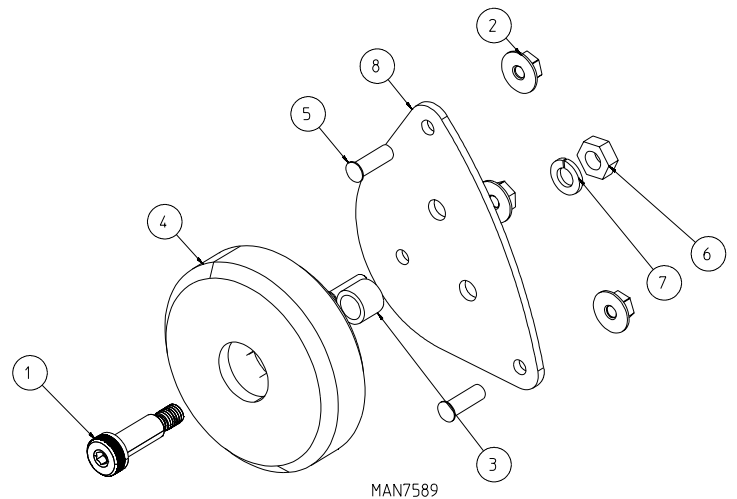
Parts Diagram / List



<u>Illus. No.</u>	<u>Part No.</u>	<u>Qty.</u>	<u>Description</u>
1	851263	1	Gas and Electric Rear Tumbler Support Panel Assembly
	851401	1	Steam Rear Tumbler Support Assembly with Steam Coil
2	851372	2	Rear Wheel Bracket Assembly (for models without banded tumbler) (refer to parts breakdown on page 15)
	851562	2	Rear Wheel Bracket Assembly (for models with banded tumbler) (refer to parts breakdown on page 15)
3	121010	2	Terminal Lug
4	851258	1	Axial Probe Assembly
5	818570	1	Sail Switch Assembly Complete
	122200	1	Sail Switch ONLY
6	183112	1	205° Hi-Limit Sensor
7	851262	1	Heat Duct
8	152014	13	1/4-20 Free Spin Nut
9	350237	1	Rear Electric Box
	350238	1	Rear Electric Box Cover
10	350228	1	Thrust Bearing Box
11	318691	1	Cover Plate (for models without a fire suppression system)
12	851514	1	Fire Suppression System Assembly (for US and Canada) (refer to parts breakdown on page 15)
	851515	1	Fire Suppression System Assembly (for export) (refer to parts breakdown on page 15)
	819855	1	Cold Weather Package for Fire Suppression System ... Not Illustrated



<u>Illus. No.</u>	<u>Part No.</u>	<u>Qty.</u>	<u>Description</u>
1	143581	1	S.A.F.E. 3 GPM 3/8" N.P.T. Spray Nozzle
2	143303	1	3/8" N.P.T. Brass Lock Nut
3	136987	1	Water Jet Pressure Switch
4	143155	1	3/8" Brass Street Elbow
5	143025	1	3/4-11 NH x 3/8" N.P.T. Nylon Hose Adapter (for US and Canada)
	143177	1	3/4" Male B.S.P.T. x 3/8" Female N.P.T. Nylon Pipe Adapter (for Export)
6	143310	1	3/8" Brass 90° Elbow
7	143251	1	3/8" M.P.T. Brass Plug
8	143241	1	3/8" x Close Brass Nipple
9	143220	1	3/8" F.P.T. Brass Tee
10	319231	1	Solaris Dryer S.A.F.E. Valve Bracket
11	154338	2	M4 x 6mm Phillips Head Slotted Machine Screw
12	143242	1	3/8" x 2-1/2" Brass Nipple
13	318422	1	S.A.F.E. Bracket
14	150331	4	#8-18 x 1/2" Pan Head TORX® Screw
15	143182	1	3/4" GHT x 1/8" x 3/8" N.P.T. Brass Tee
16	143183	1	7/16-20 x 3/8" N.P.T. Brass Adapter 2
17	165120	1	S.A.F.E. Water Inlet Valve 24VDC
18	143323	1	3/8" x 3" Brass Nipple
—	114110	1	S.A.F.E. Water Supply Warning Tag



<u>Illus. No.</u>	<u>Part No.</u>	<u>Qty.</u>	<u>Description</u>
1	154264	1	10 M8 x 25mm Shoulder Bolt
2	152014	3	1/4-20 Free Spin Wash Nut
3	154284	1	Tumbler Wheel Spacer
4	180060	1	3-1/2" Tumbler Support Wheel
5	153557	3	1/4-20 x 3/4" Self-Clinching Stud
6	154013	1	M8 Hex Nut
7	153002	1	5/16" Lock Washer
8	350196	1	1/2" Wheel Bracket
—	350198	4	Rear Wheel Bracket Shim ... Not Illustrated

Duplicate all parts for rear wheels.

