



# CG75-85 Parts Manual

---

---

**Continental Girbau, Inc.®**  
2500 State Road 44  
Oshkosh WI 54904  
Telephone: (920) 231-8222 / Fax: (920) 231-4666  
[www.cont-girbau.com](http://www.cont-girbau.com)

# Retain This Manual In A Safe Place For Future Reference

This product embodies advanced concepts in engineering, design, and safety. If this product is properly maintained, it will provide many years of safe, efficient, and trouble-free operation.

*ONLY qualified technicians should service this equipment.*

**OBSERVE ALL SAFETY PRECAUTIONS** displayed on the equipment or specified in the installation manual included with the dryer.

The following “**FOR YOUR SAFETY**” caution **must be** posted near the dryer in a prominent location.

**FOR YOUR SAFETY**

Do not store or use gasoline or other flammable vapors and liquids in the vicinity of this or any other appliance.

**POUR VOTRE SÉCURITÉ**

Ne pas entreposer ni utiliser d'essence ni d'autres vapeurs ou liquides inflammables à proximité de cet appareil ou de tout autre appareil.

We have tried to make this manual as complete as possible and hope you will find it useful. The manufacturer reserves the right to make changes from time to time, without notice or obligation, in prices, specifications, colors, and material, and to change or discontinue models.

## Important

For your convenience, log the following information:

**DATE OF PURCHASE** \_\_\_\_\_ **MODEL NO.** CG75-85

**DISTRIBUTOR'S NAME** \_\_\_\_\_

**Serial Number(s)** \_\_\_\_\_

\_\_\_\_\_  
\_\_\_\_\_

Replacement parts can be obtained from your distributor or **Continental Girbau, Inc.**® When ordering replacement parts from the factory, you can FAX your order to **Continental Girbau, Inc.**® at (920) 231-4666 or telephone your order directly to the **Continental Girbau, Inc.**® Parts Department at (920) 231-8222. Please specify the dryer **model number** and **serial number** in addition to the **description** and **part number**, so that your order is processed accurately and promptly.

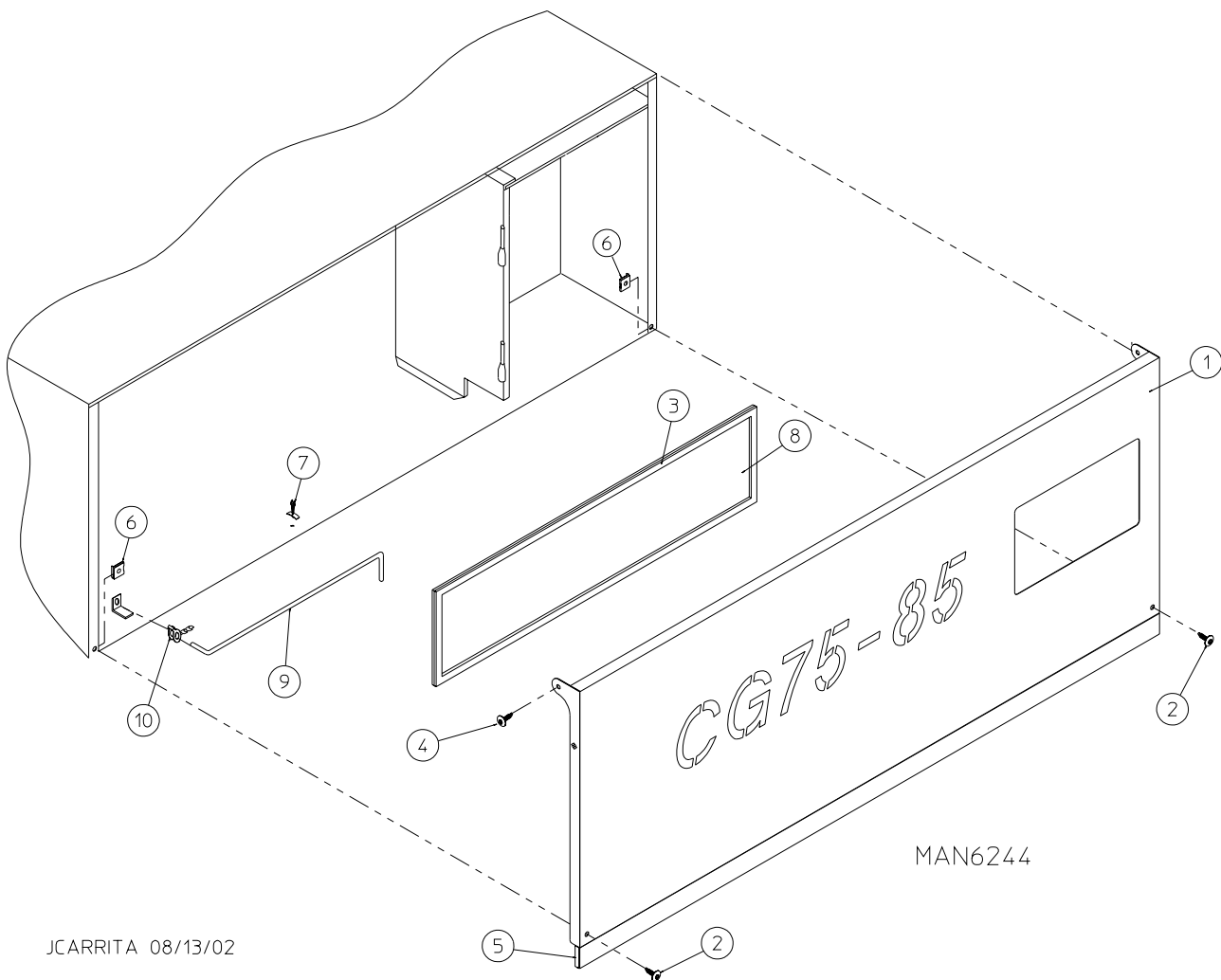
The illustrations on the following pages may not depict your particular dryer exactly. The illustrations are a composite of the various dryer models. Be sure to check the descriptions of the parts thoroughly before ordering.

**“IMPORTANT NOTE TO PURCHASER”**

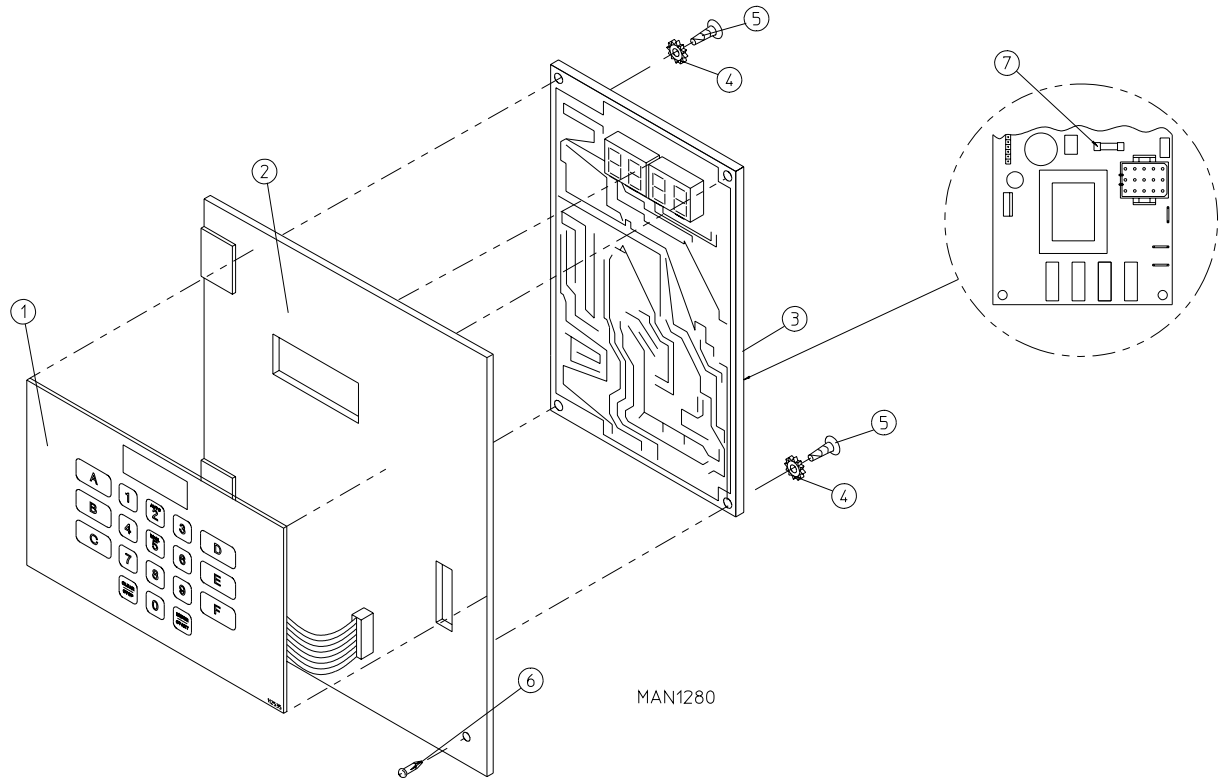
Information **must be** obtained from your local gas supplier on the instructions to be followed if the user smells gas. These instructions **must be** posted in a prominent location near the dryer.

# ***Table of Contents***

Control Door Assembly .....	2
Phase 5 OPL Microprocessor Control Panel Assembly .....	3
Phase 5 Coin Microprocessor Control Panel Assembly .....	4
Dual Timer “Tap Touch” Controls .....	5
Coin and OPL Control Box Assembly .....	6
Coin Vault Assembly .....	7
Front Panel Assembly .....	8
Main Door “Steel” Assembly .....	9
Main Door Switch Assembly .....	10
Basket (Tumbler)/Support Assemblies .....	11
Lint Drawer/Lint Drawer Switch Assembly .....	12
Idler Bearing Assembly .....	13
Basket (Tumbler) Bearing Assembly .....	14, 15
Non-Reversing Motor Mount Assembly .....	16, 17
Reversing T.E.F.C. Motor Mount Assembly .....	18, 19
Sensor Bracket Assemblies .....	20, 21
Direct Spark Ignition (DSI) Burner Assembly .....	22, 23
Air Operated Steam Damper Assembly .....	24, 25
Electric Oven Assembly .....	26, 27
Sail Switch Assembly .....	28
Single-Phase (1 $\phi$ ) Motor, Electric Relay Panel Assembly .....	29
3-Phase (3 $\phi$ ) Motor, Electric Relay Panel Assembly .....	30
460-480 VAC 3-Phase (3 $\phi$ ) Motor, Electric Relay Panel Assembly .....	31
Reversing Electric Relay Panel Assembly .....	32
460-480 VAC Reversing Electric Relay Panel Assembly .....	33
Outer Top/Back Guard Assemblies .....	34
Electric Oven Component Application Chart .....	35
Microprocessor Coin Acceptors Listing .....	36
Additional Parts Available .....	37

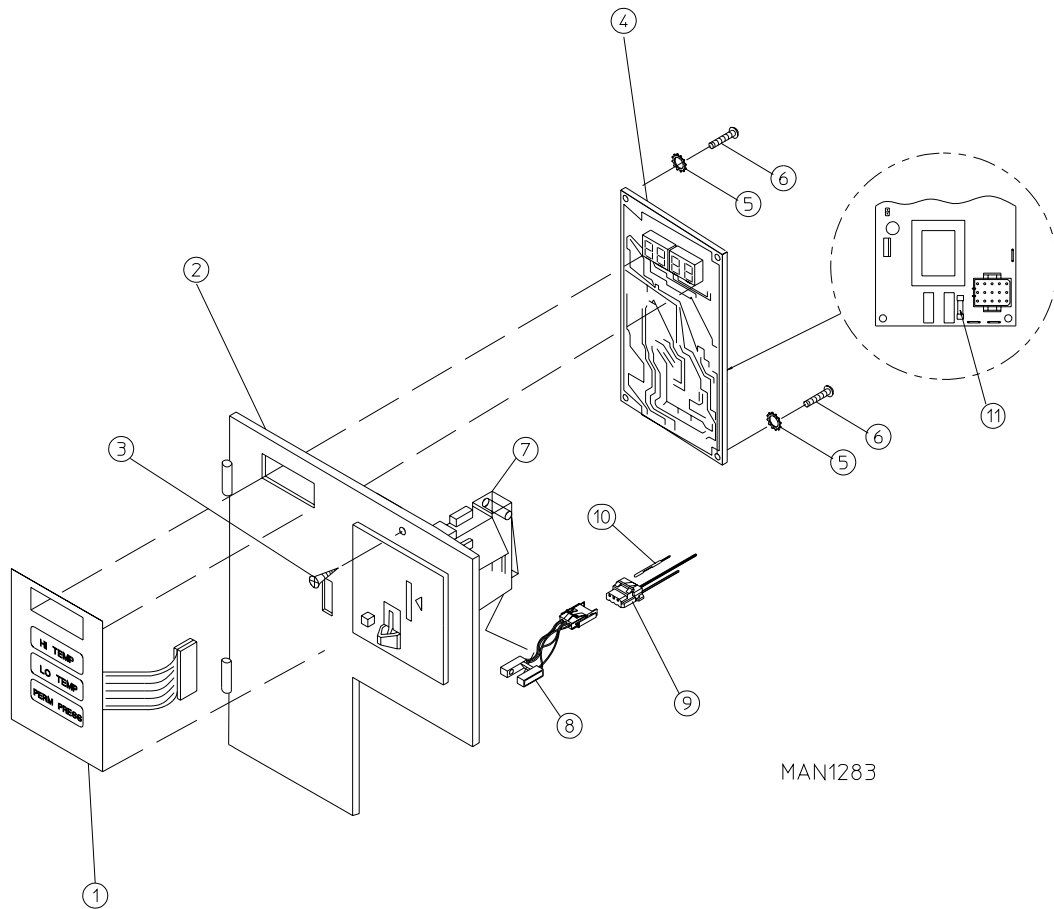


<u>Illus. No.</u>	<u>Part No.</u>	<u>Qty.</u>	<u>Description</u>
1	882942	1	White Control Door Assembly (includes illus. nos. 1, 3, 5, and 8)
2	150217	2	#10-32 x 3/4" Phillips Pan Head Machine Screw
3	117516	36	Double Sided Tape
4	150317	2	#10-16 x 3/4" TORX Plus BTN Type 1
	150318	1	25 IP TORX Plus Bit (for removal of TORX head screw)
5	117604	4	Neoprene Sponge Tape (sold by the foot)
6	154011	2	#10-32 Multi-Thread U-Nut
7	102603	1	Control Door Rod Support Catch
8	322856	1	Control Door Text Back Plate
9	102502	1	Control Door Support Rod
10	102601	1	Control Door Rod Retainer Clip



<u>Illus. No.</u>	<u>Part No.</u>	<u>Qty.</u>	<u>Description</u>
1	112535	1	OPL English Keyboard (touch pad) Label Assembly
	112276	1	OPL Stick-On Labels (English Only)...Not Illustrated
	112275	1	3-Language OPL Stick-On Labels...Not Illustrated (Spanish, Italian, and Hebrew)
	112277	1	3-Language OPL Stick-On Labels...Not Illustrated (English, Spanish, and Hebrew)
	112278	1	5-Language OPL Stick-On Labels...Not Illustrated (Italian, Dutch, French, German, and Chinese)
2	801255	1	Phase 5 Microprocessor Control Panel ONLY
	801256	1	Phase 5 Microprocessor Control Panel ONLY with Battery Bracket
	801206	1	Phase 5 OPL Non-Reversing Microprocessor Control Panel Assembly Complete (includes illus. nos. 1 through 6)
	801207	1	Phase 5 OPL Reversing Microprocessor Control Panel Assembly Complete (includes illus. nos. 1 through 6)
3	137222	1	Phase 5 OPL Non-Reversing Microprocessor Controller (computer) ONLY
	137231	1	Phase 5 OPL Reversing Microprocessor Controller (computer) ONLY
	824998	1	Phase 5 Battery Clip
4	153010	2	#6 Star Washer
5	150005	2	#6-32 x 1/4" Phillips Round Head Machine Screw
6	150313	1	#10-16 x 1/2" TORX Plus BTN Type 1
7	136048	1	1/8-Amp (slo blo) Fuse

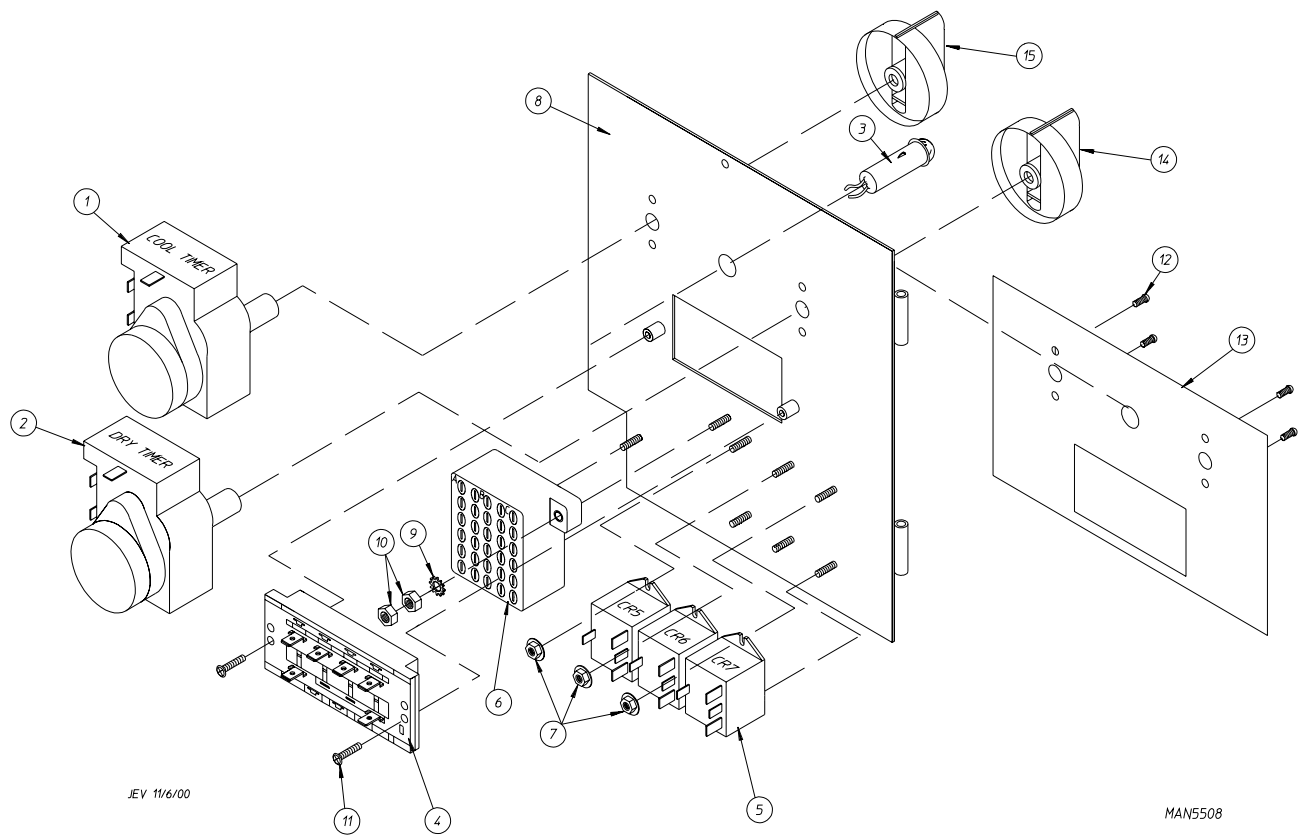
**IMPORTANT:** Check label on computer chip to verify correct part number for controller (computer).



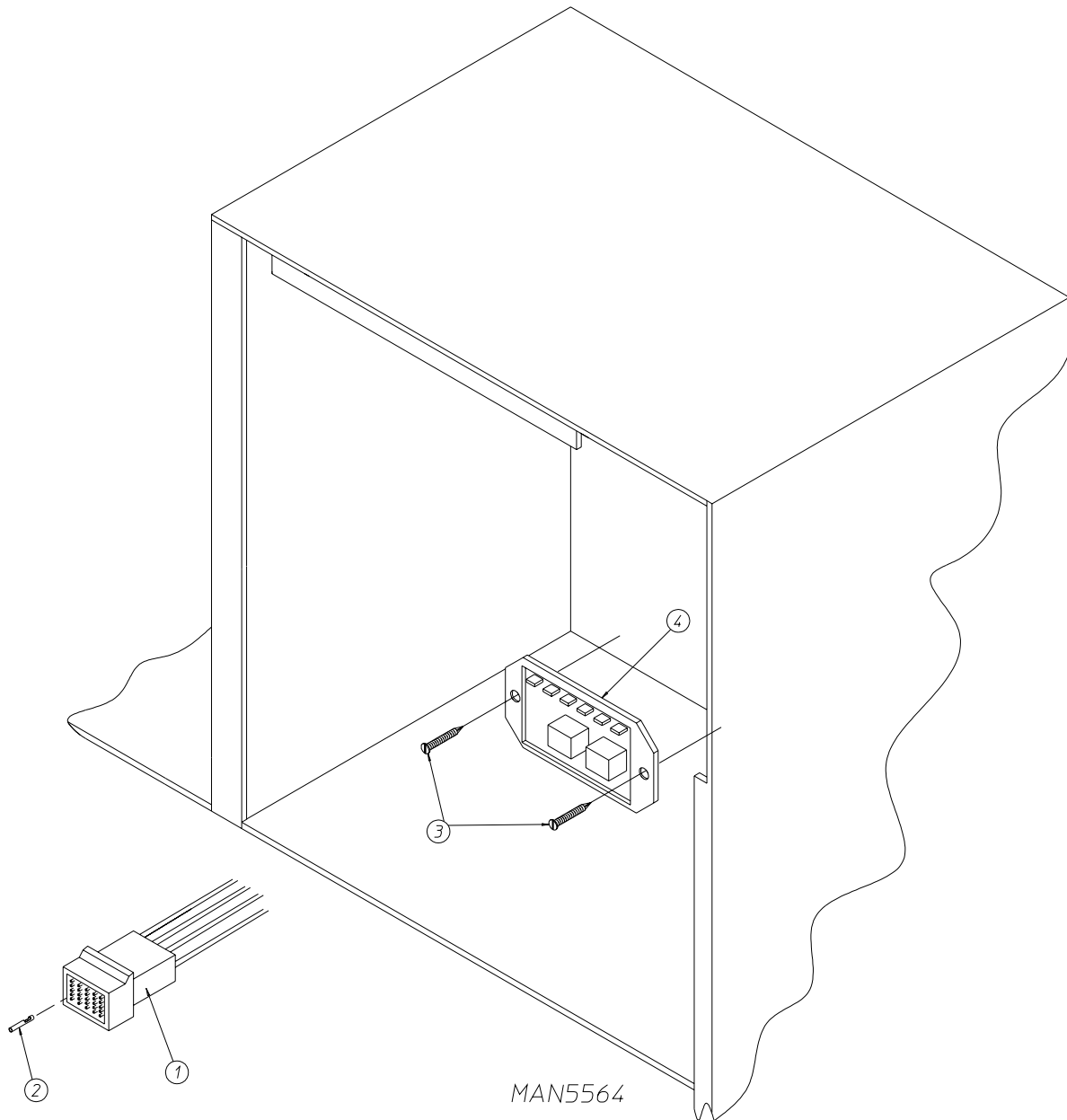
MAN1283

<u>Illus. No.</u>	<u>Part No.</u>	<u>Qty.</u>	<u>Description</u>
1	112526	1	Coin Keyboard (touch pad) Label Assembly
2	801213	1	Phase 5 Coin Control Panel Assembly (includes illus. nos. 1, 2, 4 through 6, and 11)
	801229	1	Phase 5 Coin Control Panel Assembly with Battery Option (includes illus. nos. 1, 2, 4 through 6, and 11)
	801259	1	Coin Control Panel ONLY
	801258	1	Coin Control Panel ONLY with Battery Bracket
3	150313	1	#10-16 x 1/2" TORX Plus BTN Type 1
4	137213	1	Phase 5 Coin Microprocessor Controller (computer) ONLY
	824998	1	Phase 5 Battery Clip
5	153010	2	#6 Star Washer
6	150005	2	#6-32 x 1/4" Phillips Round Head Machine Screw
7	-----	1	Coin Acceptor (refer to <b>Microprocessor Coin Acceptors Listing</b> on <a href="#">page 36</a> )
8	881143	1	Optic Switch ONLY
9	137023	1	Optic Switch Connector ONLY
10	137021	3	Microprocessor Socket ONLY
	880772	1	Single Coin Optical Switch Harness
	122800	1	Microprocessor (female) Pin Extraction Tool
11	136048	1	1/8-Amp (slo blo) Fuse

**IMPORTANT:** Check label on computer chip to verify correct part number of controller (computer).



<u>Illus. No.</u>	<u>Part No.</u>	<u>Qty.</u>	<u>Description</u>
1	124030	1	15 Minute Timer - 24 VAC
2	124025	1	60 Minute Timer - 24 VAC
3	824175	1	Red Pilot Light - 24 VAC
4	122301	1	"Tap Touch" Switch
5	131932	3	Relay Single-Pole Single Throw (SPST) 24v
6	120730	1	30-Position Terminal Block
7	151000	6	#6-32 Pal Nut
8	882903	1	Dual Timer Panel Complete (includes illus. nos. 1 through 15)
	850392	-	Dual Timer Panel ONLY
9	153010	2	#6 Star Washer
10	152000	3	#6-32 Hex Nut
11	150207	2	#10-24 x 1/2" Phillips Pan Head Machine Screw
12	150110	4	#8-32 x 1/4" Phillips Round Head Machine Screw
13	112563	1	Dual Timer Panel Overlay
14	124104	1	Pure Touch Knob with Red Pointer
15	124105	1	Pure Touch Knob with Blue Pointer

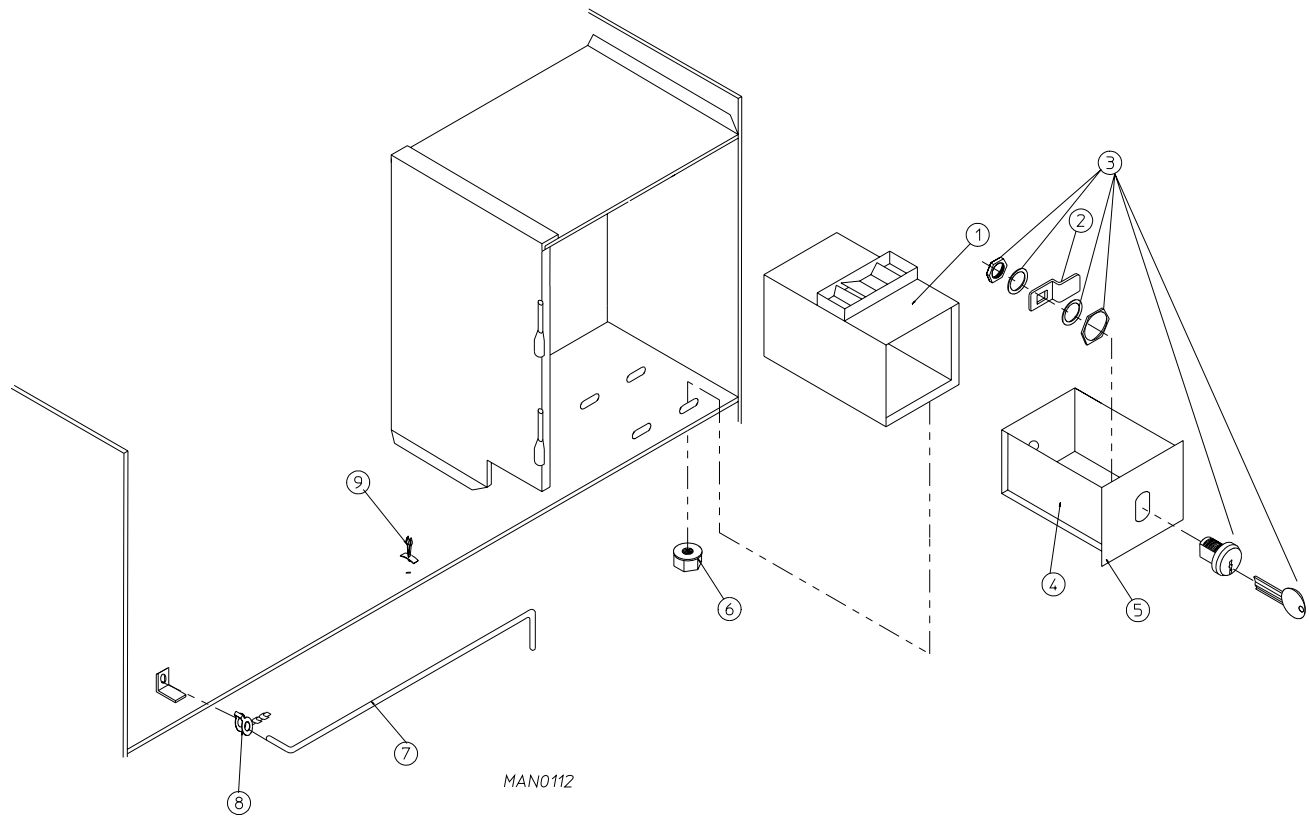


JCARRITA 12/26/00

<u>Illus. No.</u>	<u>Part No.</u>	<u>Qty.</u>	<u>Description</u>
1	122641	1	15-Pin Microprocessor Controller (computer) Connector
2	122706	*	Socket Terminal ONLY
---	122801	1	Pin/Socket Extraction Tool
3	150301	2	#8-18 x 7/16" Phillips Pan Head TEK Screw
4	132198	1	Reversing Timer 24v (for reversing dual timer models Only)

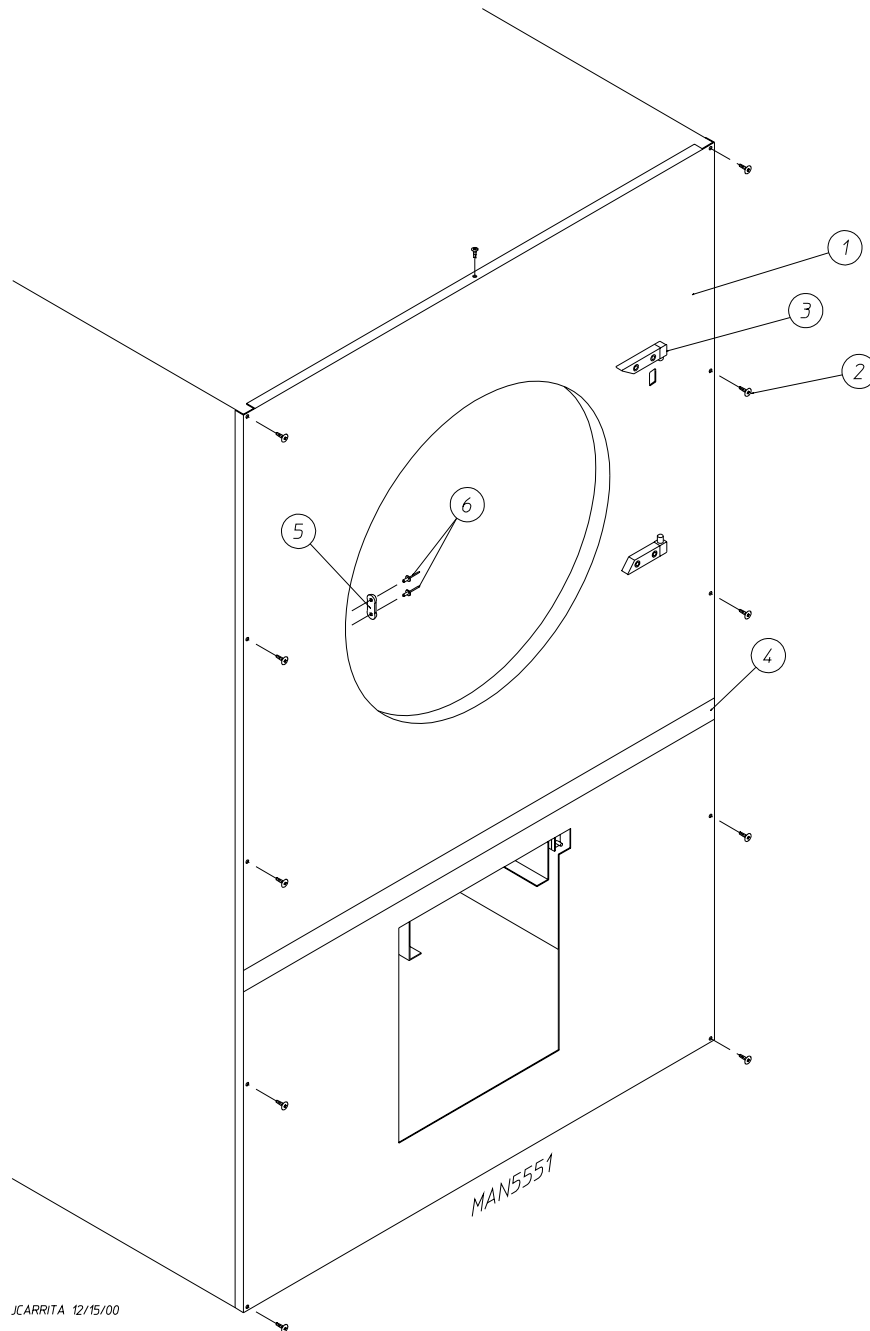
\* As required.



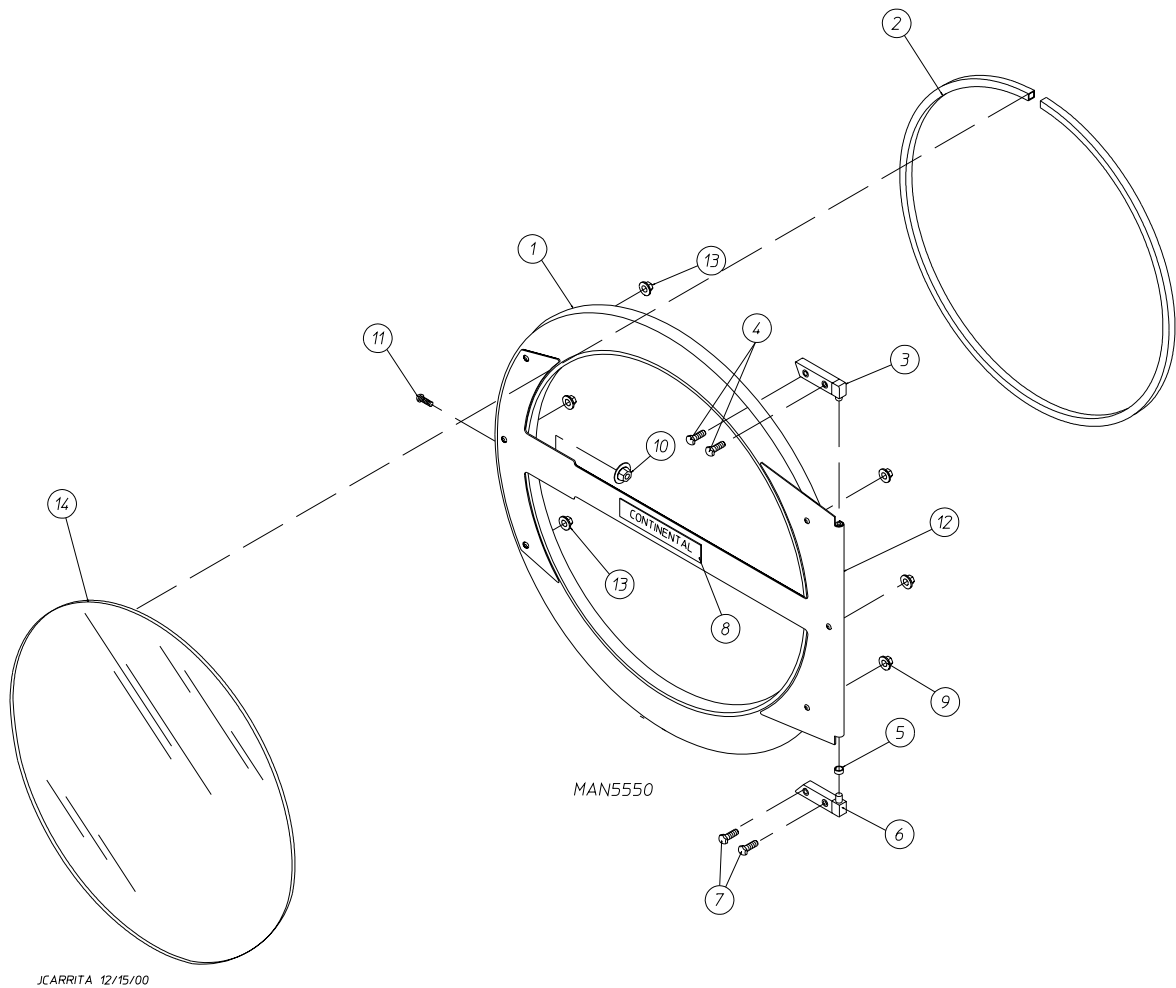


<u>Illus. No.</u>	<u>Part No.</u>	<u>Qty.</u>	<u>Description</u>
1	802112	1	Microprocessor Coin Vault Assembly Complete (includes illus. nos. 1 through 6)
	802117	1	Microprocessor Coin Vault ONLY
2	160028	1	Cam For 1/4 Turn Lock ONLY
3	875061	1	1/4 Turn Lock with Key and Cam
	160105*	1	1/4 Turn Mer-Pel Key ONLY
4	802020	1	1/4 Turn Coin Box Assembly (includes illus. nos. 2 through 5)
	802019	1	1/4 Turn Coin Box ONLY without Faceplate
	125915	1	High Security (Greenwald) Coin Box ONLY with Key
5	802018	1	1/4 Turn Coin Box Faceplate ONLY
6	152014	4	1/4-20 Free Spin Wash Nut
7	102502	1	Control Door Support Rod
8	102601	1	Control Door Rod Retainer Clip
9	102603	1	Control Door Rod Support Catch

\* Specify key number when ordering.

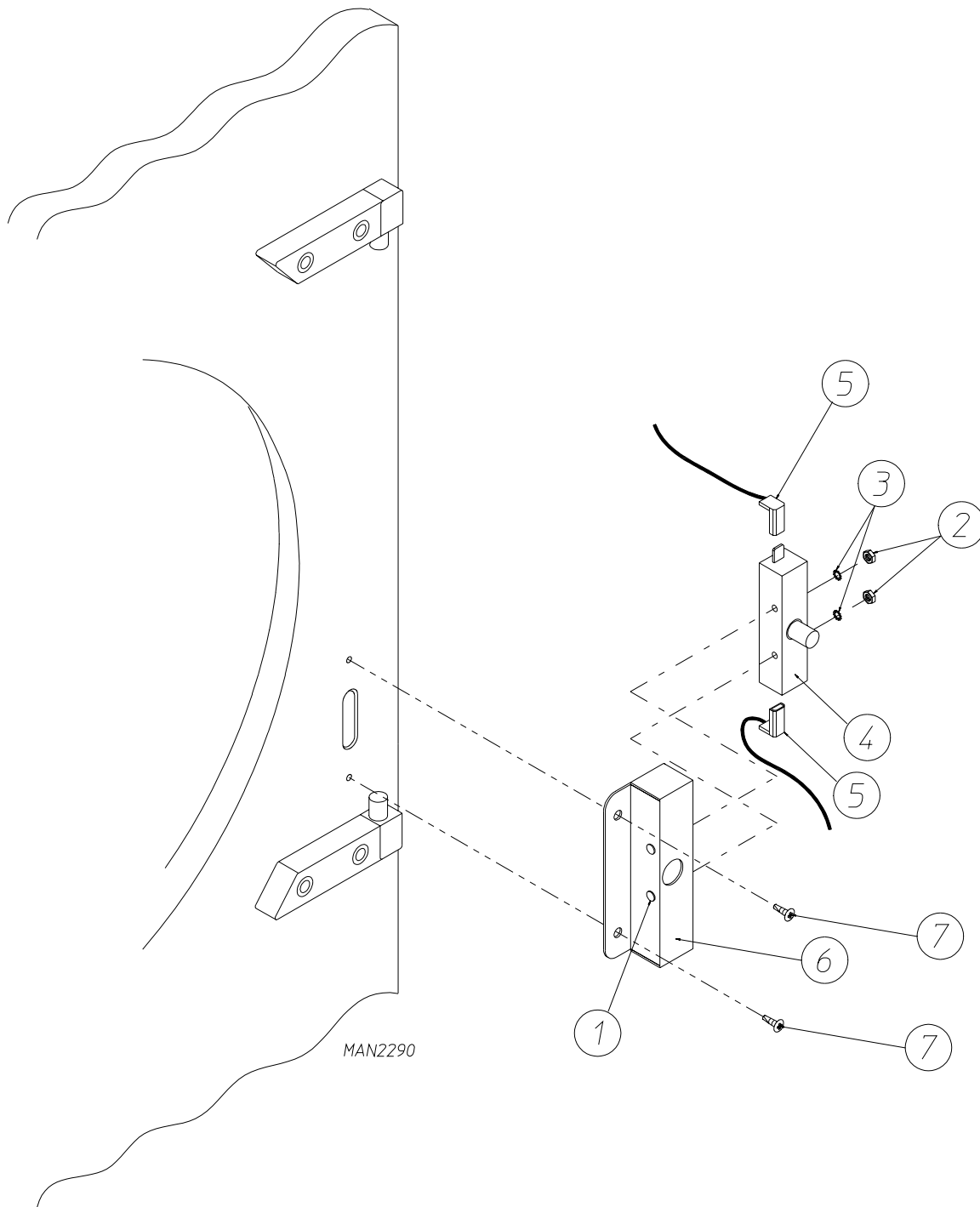


<u>Illus. No.</u>	<u>Part No.</u>	<u>Qty.</u>	<u>Description</u>
1	882943	1	White Front Panel Assembly (includes illus. nos. 1, 4, 5, and 6)
2	150313	11	#10-16 x 1/2" TORX Plus BTN Type 1
	150318	1	25 IP TORX Plus Bit (for removal of TORX head screw)
3	-----	1	Main Door Hinge (refer to <b>Main Door "Steel" Assembly</b> on <b>page 9</b> )
4	882969	1	Front Panel Trim Assembly
5	881987	1	Friction Door Latch (includes illus. nos. 5 and 6)
6	154215	2	5/32" Pop Rivet

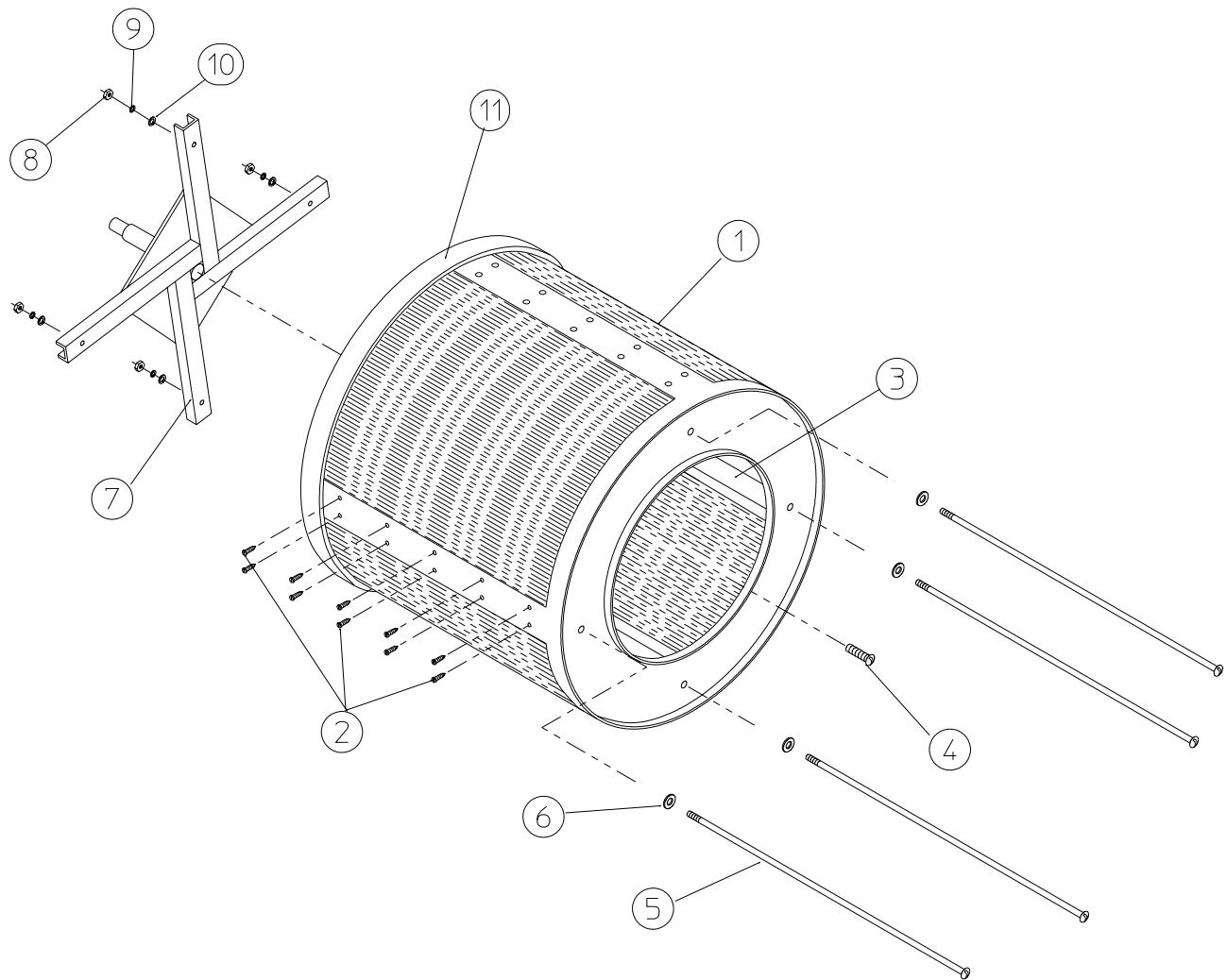


JCARRITA 12/15/00

<u>Illus. No.</u>	<u>Part No.</u>	<u>Qty.</u>	<u>Description</u>
1	882959	1	White Main Door Assembly Complete (includes illus. nos. 1, 2, and 8 through 14)
2	102354	1	Door Gasket
	170730	1	Clear Gasket Adhesive (10.7 oz. cartridge)
	170731	1	Black Gasket Adhesive (10.7 oz. cartridge)
3	881440	1	White Top Hinge Block Assembly (includes illus. nos. 3 and 4)
4	150445	2	1/4-20 x 3/4" Black Cap Head Setscrew
5	153031	1	1/4" Nylon Washer
6	881441	1	White Bottom Hinge Block Assembly (includes illus. nos. 5, 6, and 7)
7	150445	2	1/4-20 x 3/4" Black Cap Head Setscrew
8	112370	1	<b>Continental Girbau, Inc.</b> ® Logo Plate
9	152014	3	1/4-20 Free Spin Wash Nut
10	151010	1	#10-32 Black Hex Acorn Nut
11	150120	1	Door Latch Screw
12	882960	1	White Small Cold Rolled Steel (CRS) Door Handle
13	152014	3	1/4-20 Free Spin Wash Nut
14	102211	1	20-7/16" Door Glass
	170730	1	Clear Glass Adhesive (10.3 oz. cartridge)
	170731	1	Black Glass Adhesive (10.3 oz. cartridge)



<u>Illus. No.</u>	<u>Part No.</u>	<u>Qty.</u>	<u>Description</u>
1	150006	2	#6-32 x 7/8" Phillips Pan Head Machine Screw
2	152013	2	#6-32 Hex Nut
3	153010	2	#6 Star Washer
4	137005	1	Door Switch
5	122636	2	Flag Terminal
6	881213	1	White Main Door Switch Housing ONLY
	881216	1	White Main Door Switch Housing Complete (includes illus. nos. 1, 2, 3, 4, and 6)
7	150301	2	#8-18 x 7/16" Phillips Pan Head TEK Screw

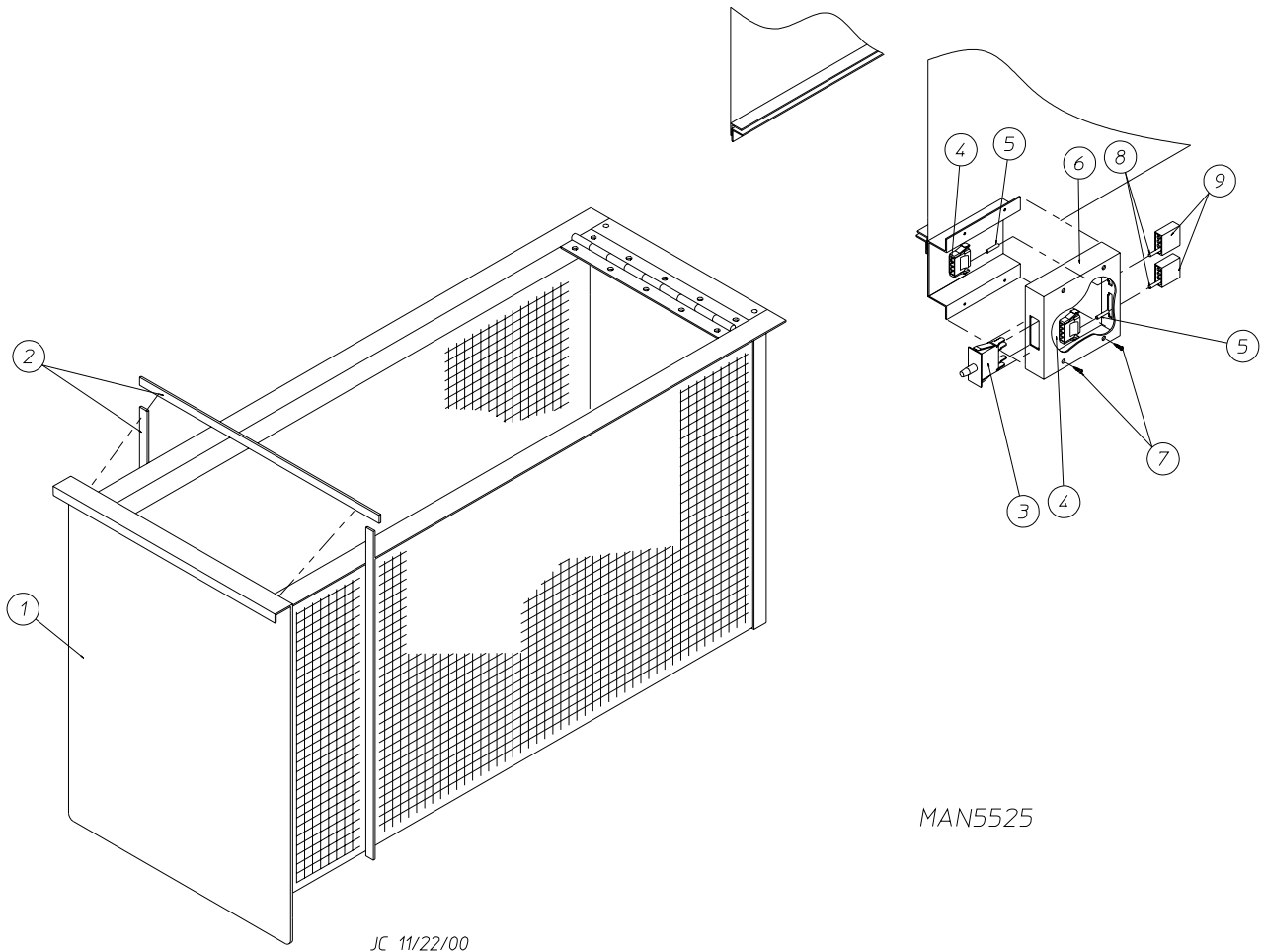


MAN0251

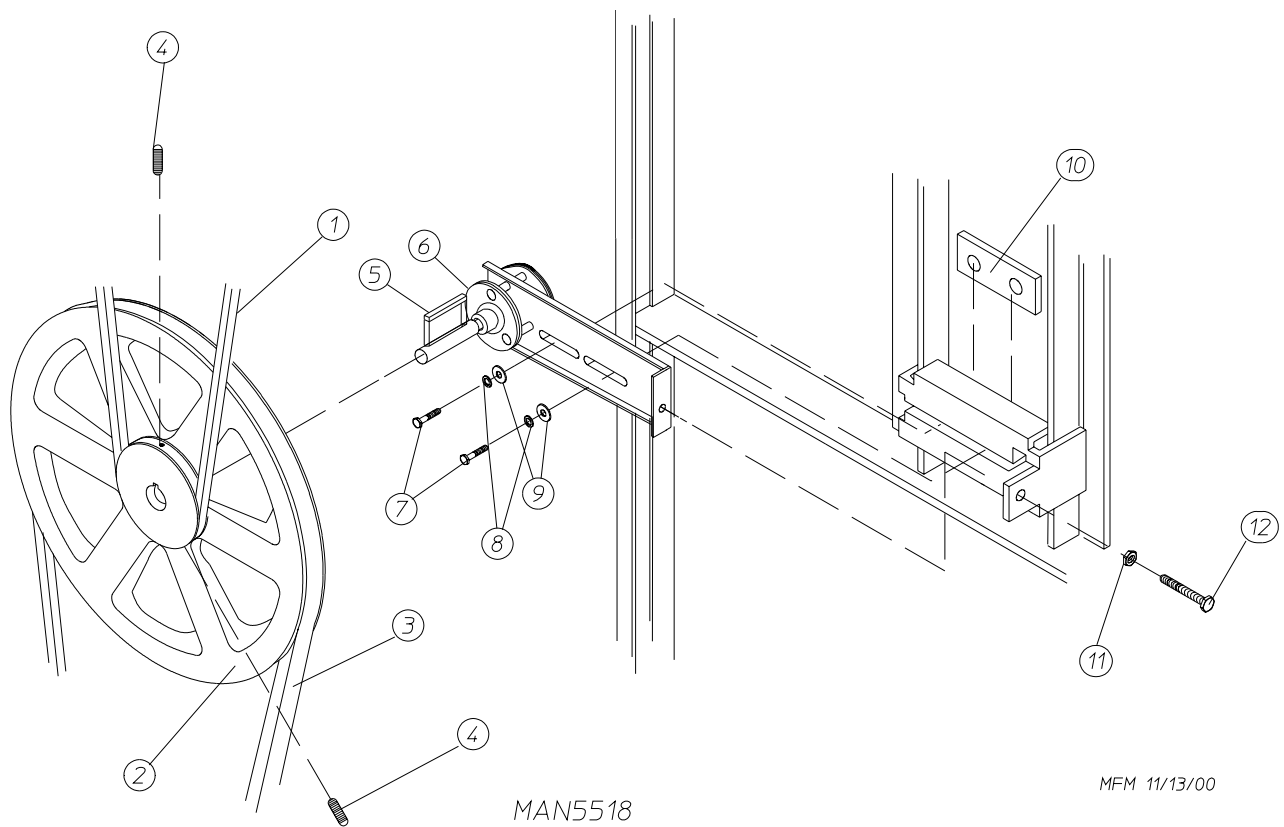
<u>Illus. No.</u>	<u>Part No.</u>	<u>Qty.</u>	<u>Description</u>
1*	816650	1	Basket (tumbler) ONLY without Felt Collar
	816651	1	Basket (tumbler) and Support Assembly Complete (includes illus. nos. 1 through 10)
2	150413	40	#10-16 x 1/2" TORX Head Crimptite Screw
	150429	1	TORX Hand Driver (for removal of TORX head screw)
3	301308	4	Basket (tumbler) Rib ONLY
4	150500	1	5/16-18 x 3/4" Socket Button Head Screw
5	100905	4	3/8-16 x 37" Tie Rod
6	153004	4	3/8" Flat Washer
7**	800613	1	Basket (tumbler) Support ONLY
8	152005	4	3/8-16 Hex Nut
9	153005	4	3/8" Lock Washer
10	153004	4	3/8" Flat Washer
11	116000	1	Felt Collar ONLY
---	401010	1	#847 Adhesive for Felt Collar

\* Felt collar *is not included* and **must be** ordered separately.

\*\* Non-reversing and reversing models use the same basket (tumbler) support.

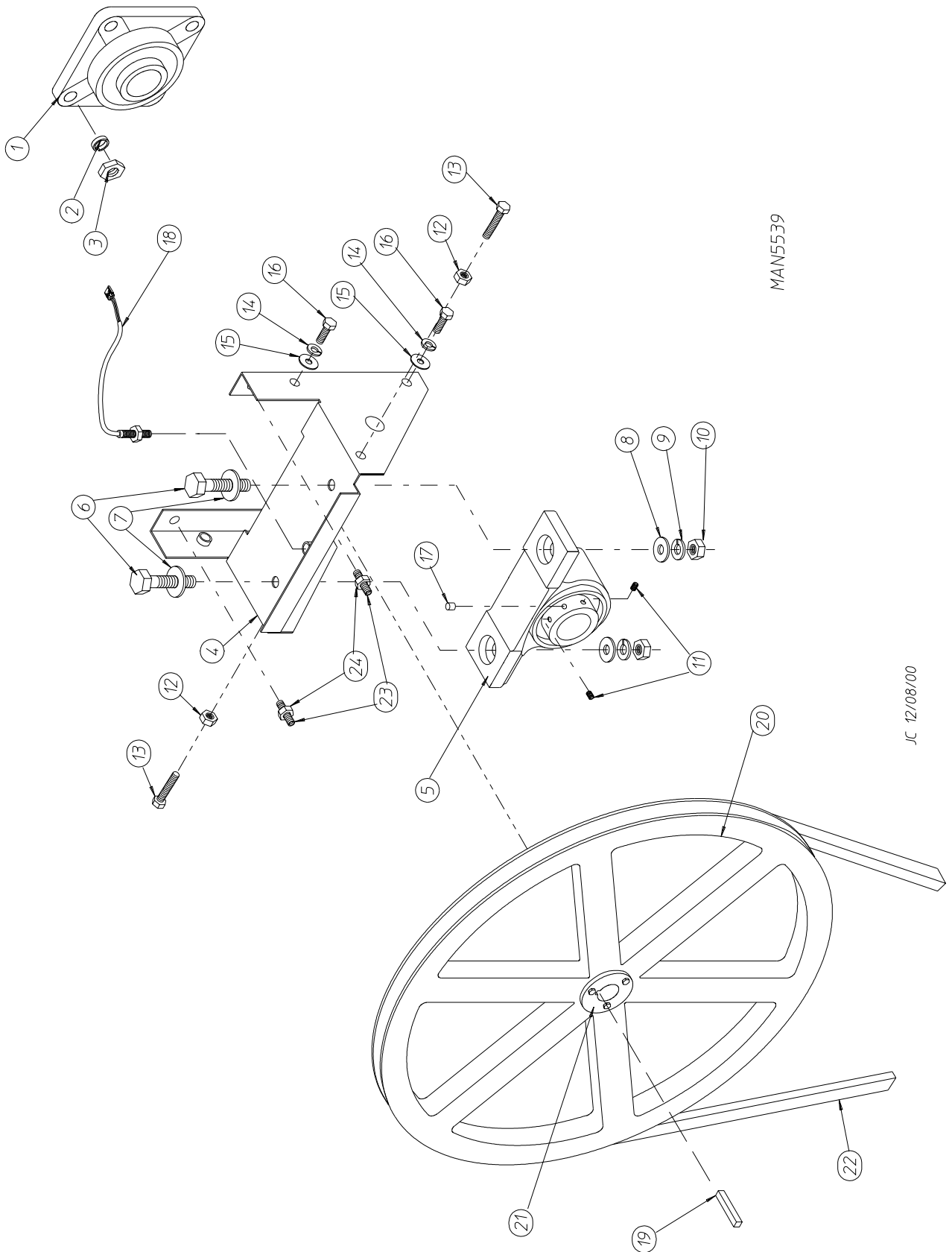


<u>Illus. No.</u>	<u>Part No.</u>	<u>Qty.</u>	<u>Description</u>
1	882871	1	Lint Drawer Assembly (white) (includes illus. nos. 1 and 2)
2	117605	5	Gasket (sold by the foot)
3	122116	1	Lint Drawer Switch
4	122605	2	4-Pin Socket Connector ONLY
5	122701	4	Socket Terminal ONLY
	122801	1	Pin/Socket Extraction Tool
6	818087	1	Lint Drawer Switch Box Assembly (includes illus. nos. 3 through 6)
	304136	1	Lint Drawer Switch Box Cover ONLY
7	150301	2	#8-18 x 7/16" Phillips Pan Head TEK Screw
8	122700	4	Pin Terminal ONLY
9	122604	2	4-Pin Connector ONLY



MFM 11/13/00

<u>Illus. No.</u>	<u>Part No.</u>	<u>Qty.</u>	<u>Description</u>
1	100108	1	5L-680 V-Belt (basket [tumbler] to idler)
2	101140	1	14" x 3" Compound Pulley
3	100194	1	4L-720 V-Belt (idler to motor)
			For Non-Reversing Models ONLY
	100109	1	4L-650 V-Belt (idler to motor)
			For Reversing Models ONLY
4	154301	2	5/16-18 x 1" Allen Setscrew
5	100705	1	3/16" x 3/16" x 1-3/8" Key
6	882576	1	Idler Bearing Assembly Complete (includes illus. nos. 5 through 12)
7	150617	2	3/8-16 x 1" Hex Head Machine Bolt
8	153005	2	3/8" Lock Washer
9	153004	2	3/8" Flat Washer
10	801009	1	Idler Square Washer
11	152004	1	5/16-18 Hex Nut
12	150509	1	5/16-18 x 3" Hex Head Machine Bolt



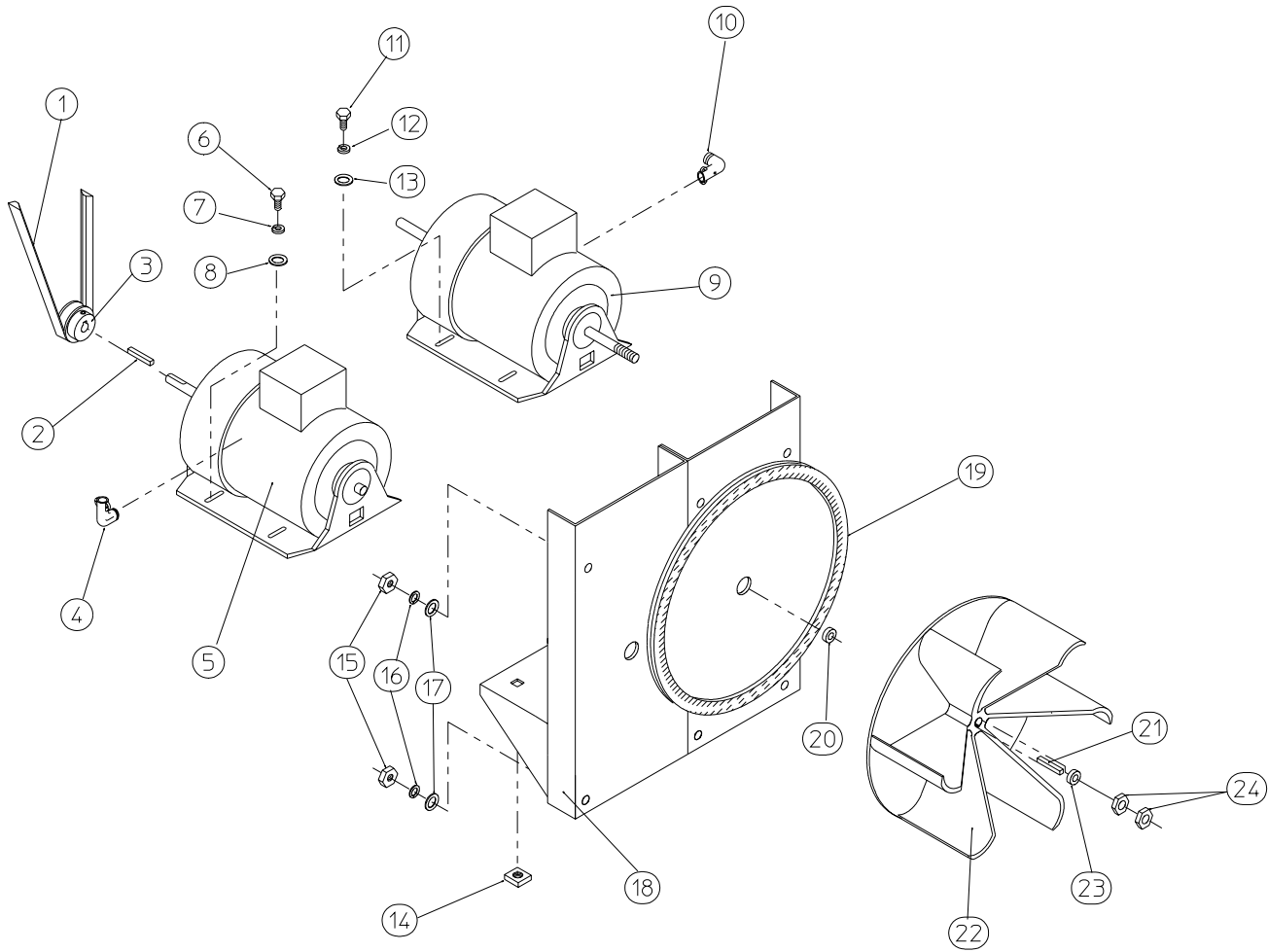


<u>Illus. No.</u>	<u>Part No.</u>	<u>Qty.</u>	<u>Description</u>
1	880220	1	1-3/4" Flange Bearing
2	153025	4	9/16" Lock Washer
3	152050	4	9/16-12 Hex Nut
4	883258	1	Pillow Block Bearing Assembly Complete (includes illus. nos. 4 through 17)
	882545	1	Pillow Block Bearing Assembly Complete (includes illus. nos. 4 through 18) For Microprocessor Models with Optional Rotational Sensor ONLY
	882542	1	Pillow Block Bearing Platform ONLY
	882543	1	Pillow Block Bearing Platform ONLY For Microprocessor Models with Optional Rotational Sensor ONLY
5	880202	1	1-3/8" Pillow Block Bearing
	880779	1	1-3/8" Pillow Block Bearing For Microprocessor Models with Rotational Sensor ONLY
6	150601	2	3/8-16 x 2" Hex Bolt
7	153004	2	3/8" Flat Washer
8	153004	2	3/8" Flat Washer
9	153005	2	3/8" Lock Washer
10	152005	2	3/8-16 Hex Nut
11	154326	2	5/16-24 x 3/8" Setscrew
12	152004	2	5/16-18 Hex Nut
13	150621	2	5/16-18 x 1-1/2" Tap Bolt
14	153002	4	5/16" Lock Washer
15	153004	6	3/8" Flat Washer
16	150501	4	5/16-18 x 3/4" Tap Bolt
17	102120	1	Sintered 8 Magnet (for microprocessor models with optional rotational sensor Only)
18	824807	1	Rotational Sensor Assembly (for microprocessor models with optional rotational sensor Only)
19	100735	1	Shaft Key (for reversing models Only)
20	101100	1	18" Pulley (for non-reversing models Only)
	101118	1	18-3/4" Pulley (for reversing models Only)
21	101110	1	1" Taper Lock Bushing (for reversing models Only)
22	100108	1	5L-680 V-Belt (basket [tumbler] to idler)
23	150610	2	5/16-18 x 1-1/2 Allen Setscrew
24	152004	2	5/16-18 Hex Nut



<u>Illus. No.</u>	<u>Part No.</u>	<u>Qty.</u>	<u>Description</u>
7	100073	1	1 HP 120/208/230v 1 $\phi$ 60 Hz Totally Enclosed, Fan-Cooled (T.E.F.C.) Motor with Plug (56Z frame) (for models mfd. as of September 7, 2002)
	100069	1	3/4 HP 120-240v 1 $\phi$ 60 Hz Totally Enclosed, Fan-Cooled (T.E.F.C.) Motor with Plug (56Z frame) (for models mfd. prior to September 7, 2002)
	181050	1	1 HP 240v 1 $\phi$ 50 Hz Motor with Plug
8	122701	8	Socket Terminal ONLY
	122801	1	Pin/Socket Extraction Tool
9	137030	1	8-Pin Housing Connector
10	152004	4	5/16-18 Hex Nut
11	153002	4	5/16" Lock Washer
12	153001	4	5/16" Flat Washer
13	117604	4	Neoprene Sponge Tape (sold by the foot)
14	154000	4	5/16-18 Tinnerman Nut
15	850018	1	Non-Reversing Motor Mount ONLY (56Z frame)
	803945*	1	1 HP 120/230v 1 $\phi$ 60 Hz Totally Enclosed, Fan-Cooled (T.E.F.C.) Motor Mount Assembly with Plug Complete (includes illus. nos. 2 through 7 and 13 through 20)
	801802*	1	1 HP 208-230v 3 $\phi$ 60 Hz (3/4") Shaft Non-Reversing Motor Mount Assembly Complete (includes illus. nos. 2 through 6 and 13 through 22)
16	153051	1	3/4" S.A.E. Flat Washer
17	100604	1	12-1/2" Impellor (1/2" bore) (for all models mfd. prior to September 7, 2002)
	882670	1	16" Impellor (3/4" bore) (for 1 $\phi$ models mfd. as of September 7, 2002 and for 3 $\phi$ models mfd. as of January 1, 2003)
	802100	1	16" Impellor (1/2" bore) (for 3 $\phi$ models mfd. between September 7, 2002 and January 1, 2003)
18	100702	1	3/16" x 3/16" x 1-7/8" Key
19	153050	2	1/2" S.A.E. Flat Washer
20	152006	2	1/2-20 Left Hand Jam Nut
21	120200	1	3/8" x 90° Connector
22	100075	1	1 HP 200/230/460v 3 $\phi$ 50/60 Hz Motor (for models mfd. as of December 23, 2002)
	181115	1	1 HP 208/230/240/460v 3 $\phi$ 50/60 Hz Motor (for models mfd. prior to December 23, 2002)

\* Specify voltage when ordering.



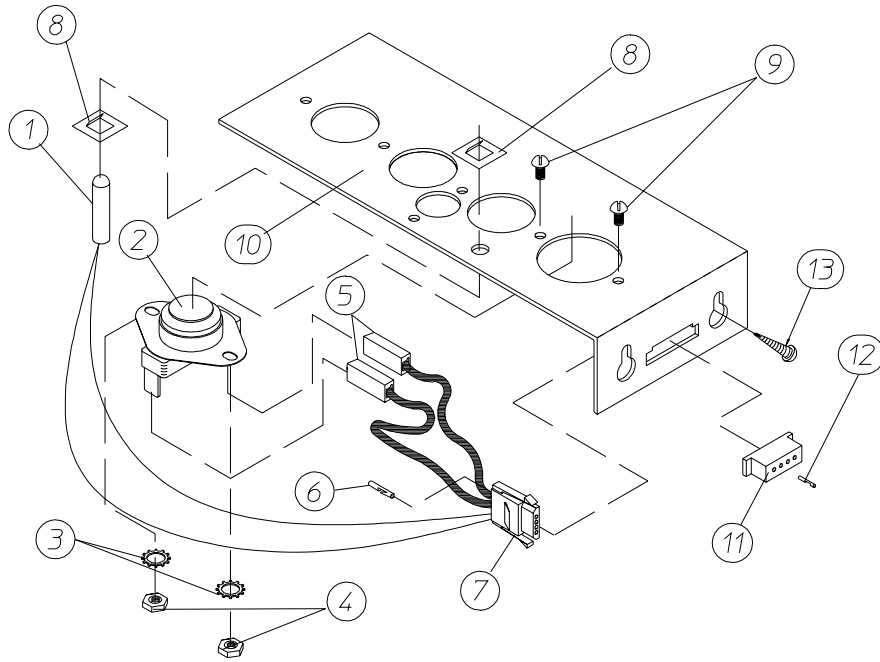
MAN0250

<u>Illus. No.</u>	<u>Part No.</u>	<u>Qty.</u>	<u>Description</u>
1	100109	1	4L-650 V-Belt (to idler assembly)
2	100701	1	3/16" x 3/16" x 1" Key
3	101133	1	5/8" x 2-1/4" Motor Pulley (60 Hz Only)
4	120200	1	3/8" x 90° Connector
5	181003	1	1/2 HP 208/230/380/460v 3ø 50/60 Hz Totally Enclosed, Fan-Cooled (T.E.F.C.) Motor (56Z frame)
6	150501	4	5/16-18 x 3/4" Tap Bolt
7	153002	4	5/16" Lock Washer
8	153001	4	5/16" Flat Washer
9*	100075	1	1 HP 200-230/460 3ø 60 Hz Totally Enclosed, Fan-Cooled Motor (for models mfd. as of February 10, 2003)
	100007	1	1/2 HP 220/230/380/460v 3ø 50/60 Hz Totally Enclosed, Fan-Cooled (T.E.F.C.) Motor with 3/4" Shaft (56Z frame) (for models mfd. prior to February 10, 2003)
10	120200	1	3/8" x 90° Connector
11	150501	4	5/16-18 x 3/4" Tap Bolt
12	153002	4	5/16" Lock Washer
13	153001	4	5/16" Flat Washer
14	154000	8	5/16-18 Tinnerman Nut
15	152004	7	5/16-18 Hex Nut
16	153002	7	5/16" Lock Washer
17	153001	7	5/16" Flat Washer
18	803561	1	Reversing Motor Mount ONLY (56Z frame)
	804029**	1	1 HP 60 Hz Reversing Totally Enclosed, Fan-Cooled Motor Mount Assembly (includes illus. nos. 2 through 14 and 18 through 24)
19	117604	4	Neoprene Sponge Tape (sold by the foot)
20	153051	1	3/4" S.A.E. Flat Washer
21	100714	1	3/16" x 3/16" x 1-7/8" Key
22	802026	1	16" Impellor (3/4" bore) (for models mfd. as of January 20, 2003)
	802100	1	16" Impellor (1/2" bore) (for models mfd. between September 2, 2002 and January 20, 2003)
	100604	1	12-1/2" Impellor (1/2" bore) (for models mfd. prior to September 2, 2002)
23	153050	***	1/2" S.A.E. Flat Washer
24	152006	2	1/2-20 Left Hand Jam Nut

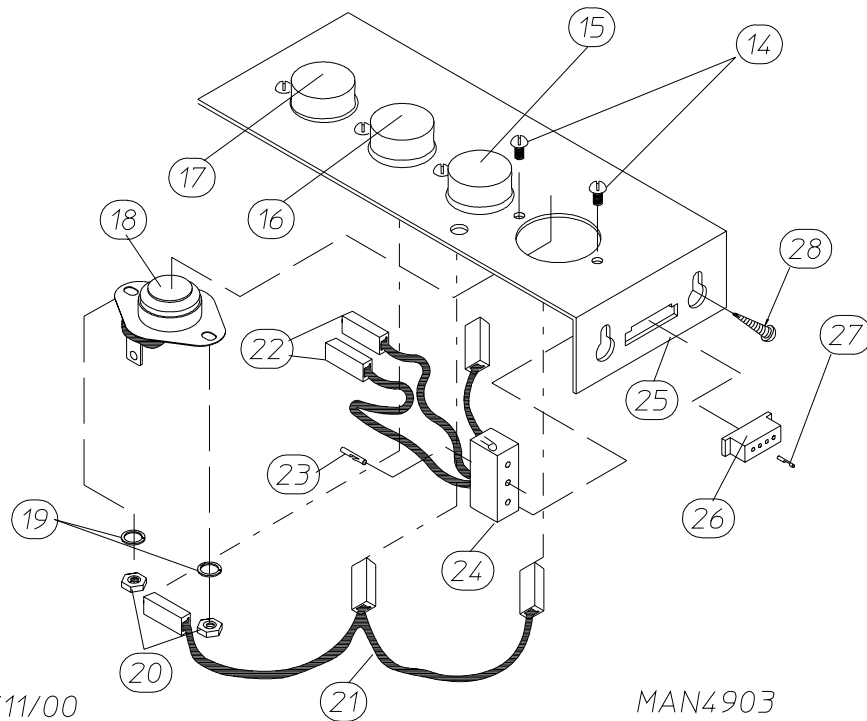
\* Check part number on motor data label to verify correct motor.

\*\* Specify voltage when ordering.

\*\*\* As required.



MICROPROCESSOR SENSOR BRACKET ASSEMBLY

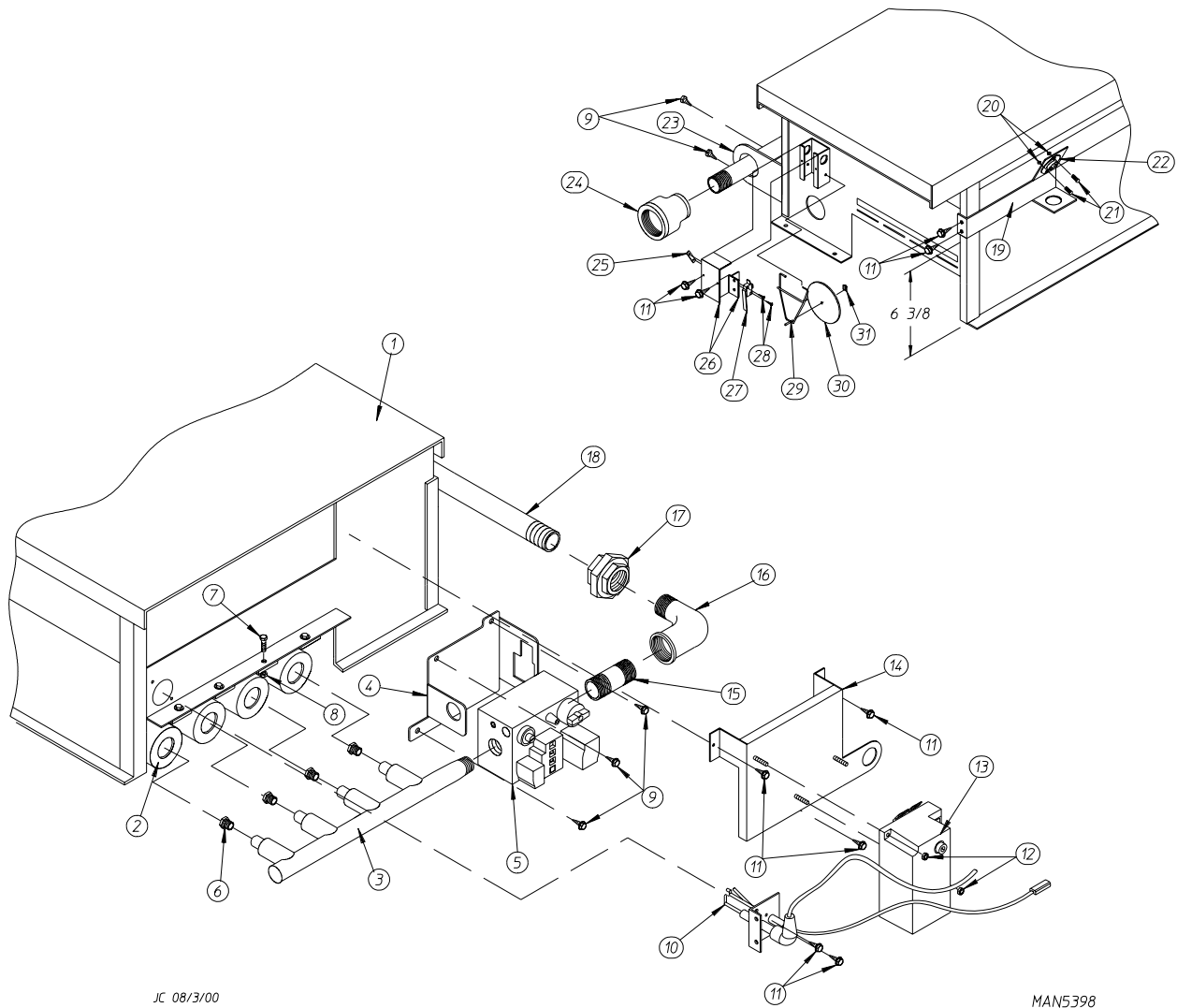


DX 01/11/00

MAN4903

NON-COMPUTER SENSOR BRACKET ASSEMBLY

<u>Illus. No.</u>	<u>Part No.</u>	<u>Qty.</u>	<u>Description</u>
1	880251	1	1/4" Temperature Sensor Probe Assembly (includes illus. nos. 1 and 5 through 8)
2	130301	1	225° Manual Reset Thermostat
3	153010	2	#6 Star Washer
4	152000	2	#6-32 Hex Nut
5	121028	2	Insulated Female Terminal
6	122701	4	Socket Terminal ONLY
	112801	1	Pin/Socket Extraction Tool
7	122605	1	4-Pin Socket Connector ONLY
8	154007	2	1/4" Tinnerman Push On Fastener
9	150005	2	#6-32 x 1/4" Phillips Round Head Machine Screw
10	824051	1	Microprocessor Sensor Bracket Assembly Complete (includes illus. nos. 1 through 10)
	322062	1	Universal Sensor Bracket ONLY
11	122604	1	4-Pin Connector ONLY
12	122700	4	Pin Terminal ONLY
13	150301	2	#8-18 x 7/16" Phillips Pan Head TEK Screw
14	150005	5	#6-32 x 1/4" Phillips Round Head Machine Screw
15	130111	1	130° Large Thermostat
16	130100	1	150° Large Thermostat
17	130301	1	225° Manual Reset Thermostat
18	130101	1	180° Large Thermostat
19	153010	5	#6 Star Washer
20	152000	5	#6-32 Hex Nut
21	882535	1	Sensor Jumper ONLY
22	121028	4	Insulated Female Terminal
23	122701	4	Socket Terminal ONLY
24	122605	1	4-Pin Socket Connector ONLY
	882534	1	Sensor Bracket Harness Assembly (includes illus. nos. 22, 23, and 24)
25	882536	1	Noncomputer Sensor Bracket Assembly Complete-Includes Thermostats (includes illus. nos. 14 through 25)
	322062	1	Universal Sensor Bracket ONLY
26	122604		4-Pin Connector ONLY
27	122700	4	Pin Terminal ONLY
	122801	1	Pin/Socket Extraction Tool
28	150301	2	#8-18 x 7/16" Phillips Pan Head TEK Screw



JC 08/3/00

MAN5398

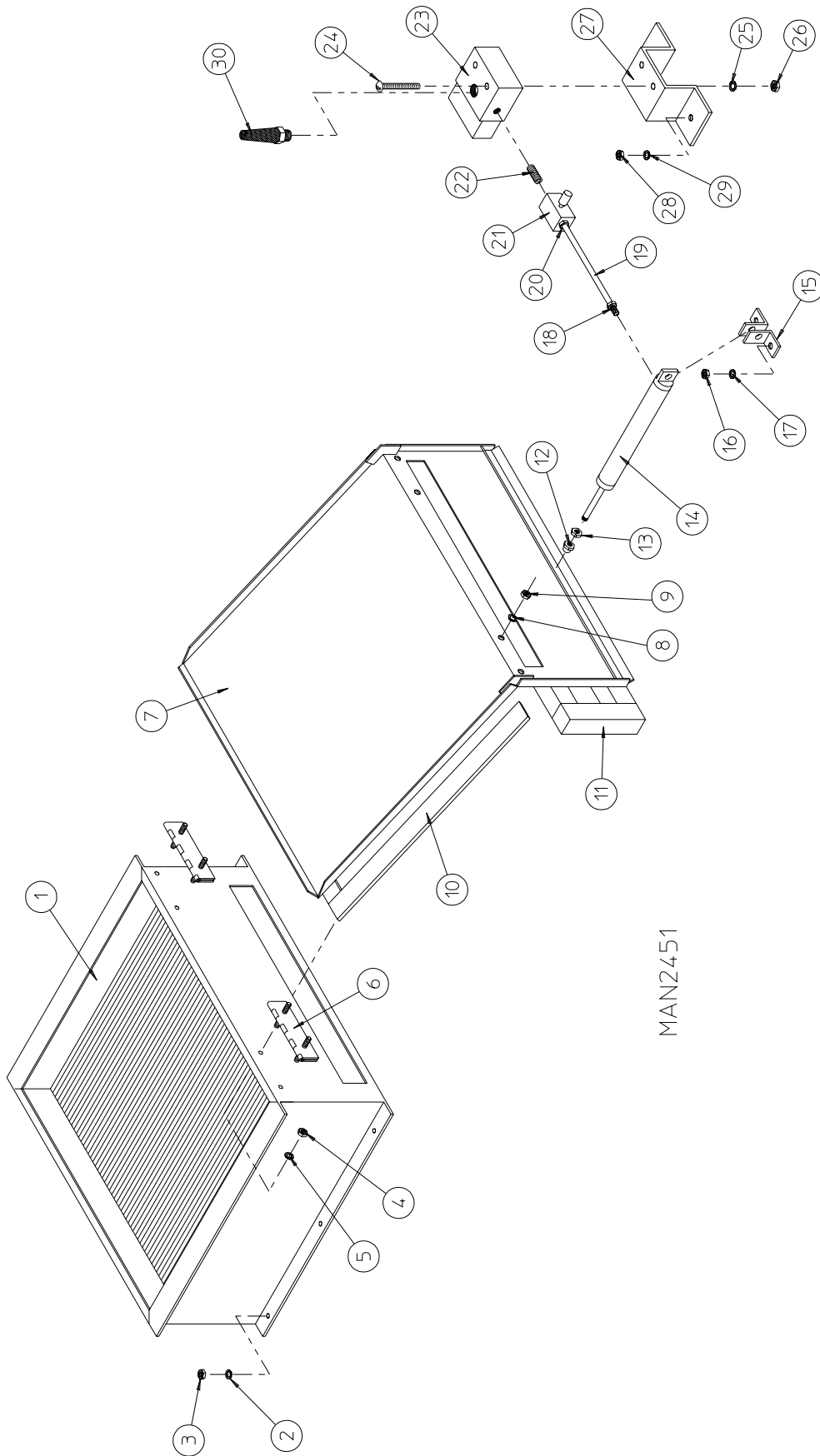
<u>Illus. No.</u>	<u>Part No.</u>	<u>Qty.</u>	<u>Description</u>
1*	882898	1	Natural Gas Burner Assembly Complete (includes illus. nos. 1 through 5 and 7 through 31) For Models Mfd. with Natural Gas ONLY (burner orifice not included and <b>must be</b> ordered separately)
	882899	1	Liquid Propane (L.P.) Gas Burner Assembly Complete (includes illus. nos. 1 through 5 and 7 through 31) For Models Mfd. with Liquid Propane (L.P.) Gas ONLY (burner orifice <i>is not included</i> and <b>must be</b> ordered separately)
	814832	1	Burner Box ONLY
2	141105	4	Large Burner Tube
3	141210	1	3/4" Direct Spark Ignition (DSI) Manifold (4-port)
4	318714	1	Bracket For Horizontal Facing Gas Valve
5	128927	1	1/2" 24 VAC Redundant (natural gas) Gas Valve
	880960	1	1/2" 24 VAC Direct Spark Ignition (DSI) Liquid Propane (L.P.) Gas Valve Assembly
	882935	1	CG75-85 Liquid Propane (L.P.) Conversion Kit
6*	140819	4	#30 Burner Orifice (natural gas) ONLY
	140803	4	#49 Burner Orifice (liquid propane [L.P.] gas) ONLY



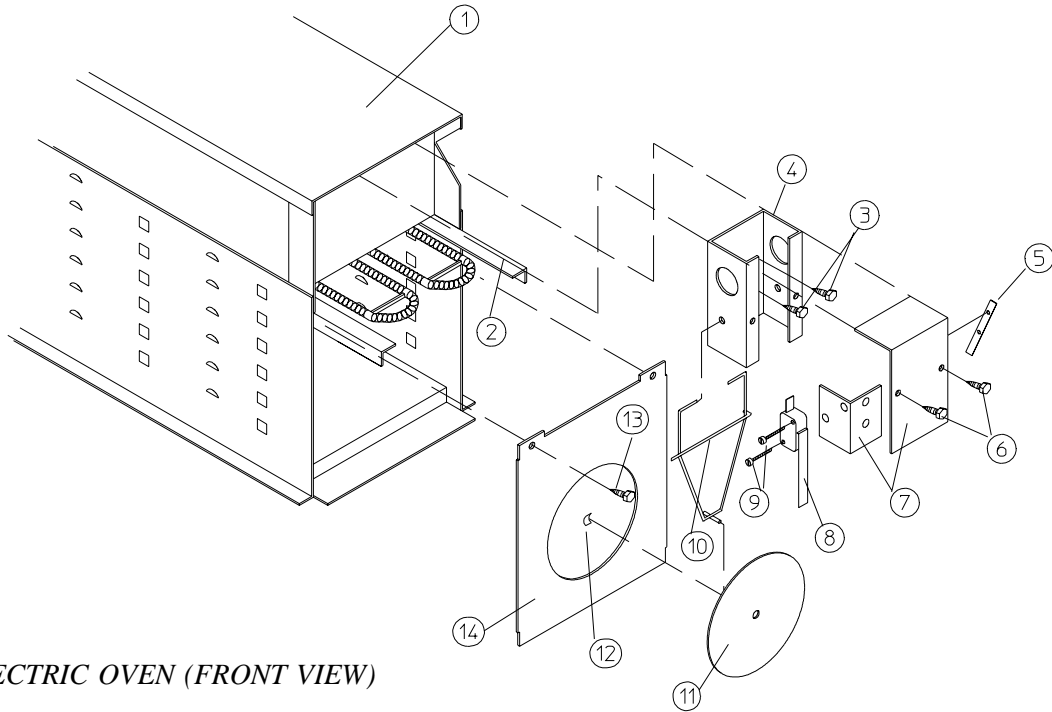
<u>Illus. No.</u>	<u>Part No.</u>	<u>Qty.</u>	<u>Description</u>
7	150103	4	#8-32 x 1/2" Pan Head Machine Screw
8	151001	4	#8-32 Pal Nut
9	150300	5	#10-16 x 1/2" Hex Washer TEK Screw
10	809309	1	Ignitor Probe Assembly with 19" Leads
11	150309	9	#10-16 x 1/2" Hex Head TEK Crimptite Screw
12	152013	2	#6-32 Hex Nut
13	128935	1	Direct Spark Ignition (DSI) Module with Three (3) Tries
14	817027	1	Johnson Controls Direct Spark Ignition (DSI) Module Mounting Bracket
15	142707	4	1/2" x 1-1/2" Long Black Nipple
16	142506	1	1/2" Street Elbow
17	142600	1	1/2" Black Union
18	142809	1	1/2" x 29-1/8" Nipple
19	319704	1	Hi-Limit Mounting Bracket
20	151000	2	#6-32 Pal Nut
21	150001	2	#6-32 x 1/2" Phillips Round Head Machine Screw
22	130201	1	330° Hi-Limit Manual Reset
23	318700	1	Pipe Bracket (bent)
24	143000	1	3/4" to 1/2" Reducing Coupling
25	154004	1	Twin Speed Nut
26	802799	1	Sail Switch Box Cover and Bracket ONLY (refer to <b>Sail Switch Assembly</b> on <b>page 28</b> )
27	122200	1	Sail Switch ONLY
28	150303	2	#4 x 3/4" Pan Head "A" Machine Screw
29	105500	1	Sail Switch Actuator Rod
30	319202	1	Sail Switch Damper (flat)
31	154002	1	1/8" Push On Fastener
**	882772	1	Steam to Gas Interface Plate...Not Illustrated

\* Consult factory for elevations over 2,000 feet.

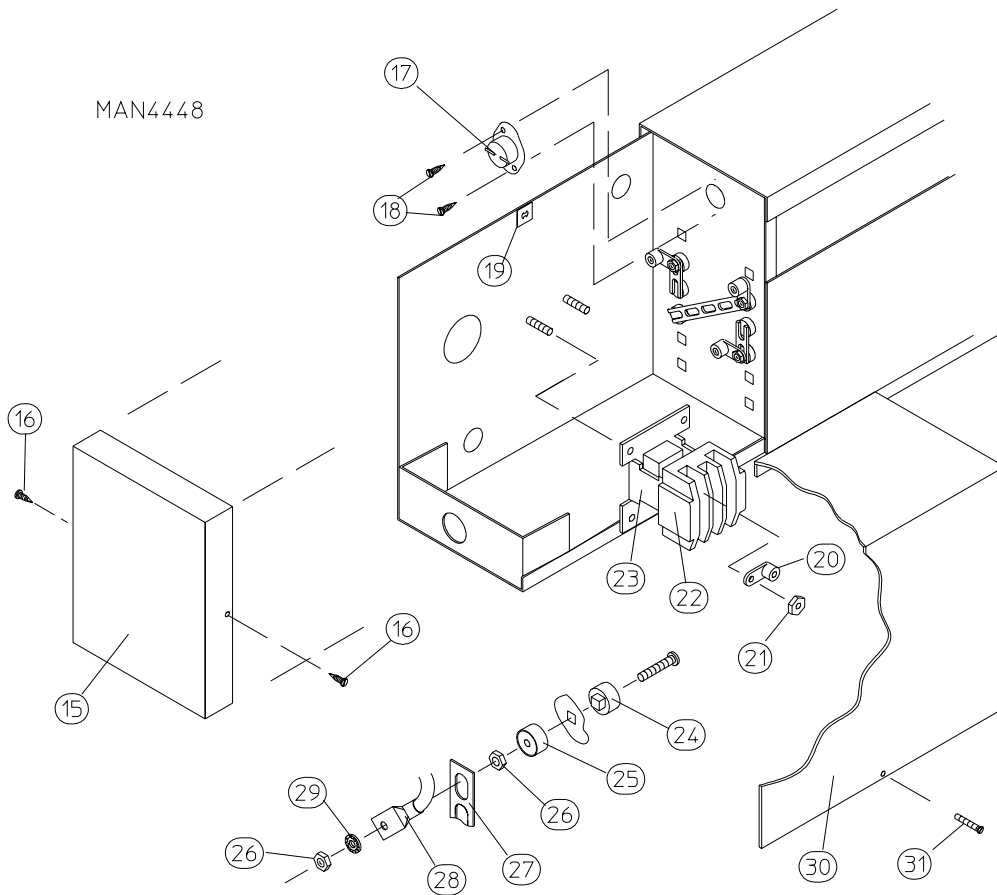
\*\* Needed when converting from steam to gas heat.



<u>Illus. No.</u>	<u>Part No.</u>	<u>Qty.</u>	<u>Description</u>
1	165009	1	Steam Coil Assembly
2	153002	6	5/16" Lock Washer
3	152004	6	5/16-18 Hex Nut
4	152002	4	1/4-20 Hex Nut
5	153007	4	1/4" Lock Washer
6	820321	2	Steam Damper Hinge Assembly
7	803415	1	Steam Damper Assembly (includes illus. nos. 7, 10, and 11)
8	153007	4	1/4" Lock Washer
9	152002	4	1/4-20 Hex Nut
10	115995	108	Steam Damper Gasket (sold by the inch)
11	102350	1	Steam Damper Foam (68-1/2" length)
12	151007	1	7/16-20 Stainless Steel Acorn Nut
13	152007	1	7/16-20 Hex Nut
14	100497	1	1-1/4" Bore x 3" Stroke Piston
15	100492	1	Piston Support Bracket
16	152002	4	1/4-20 Hex Nut
17	153007	4	1/4" Lock Washer
18	100472	1	1/4" x 1/8" Connector
19	143110	1	1/4" Tubing (sold by the foot)
20	100472	1	1/4" x 1/8" Connector
21	100496	1	1/8" Needle Valve
22	143238	1	1/8" Close Nipple
23	100498	1	3-Way Micro Valve-24 VAC
24	150002	2	#6-32 x 1" Phillips Round Head Machine Screw
25	153010	2	#6 Star Washer
26	152000	2	#6-32 Hex Nut
27	330987	1	Micro Valve Support Bracket
28	152002	2	1/4-20 Hex Nut
29	153007	2	1/4" Lock Washer
30	100520	1	1/8" N.P.T. Silencer (muffler)



ELECTRIC OVEN (FRONT VIEW)



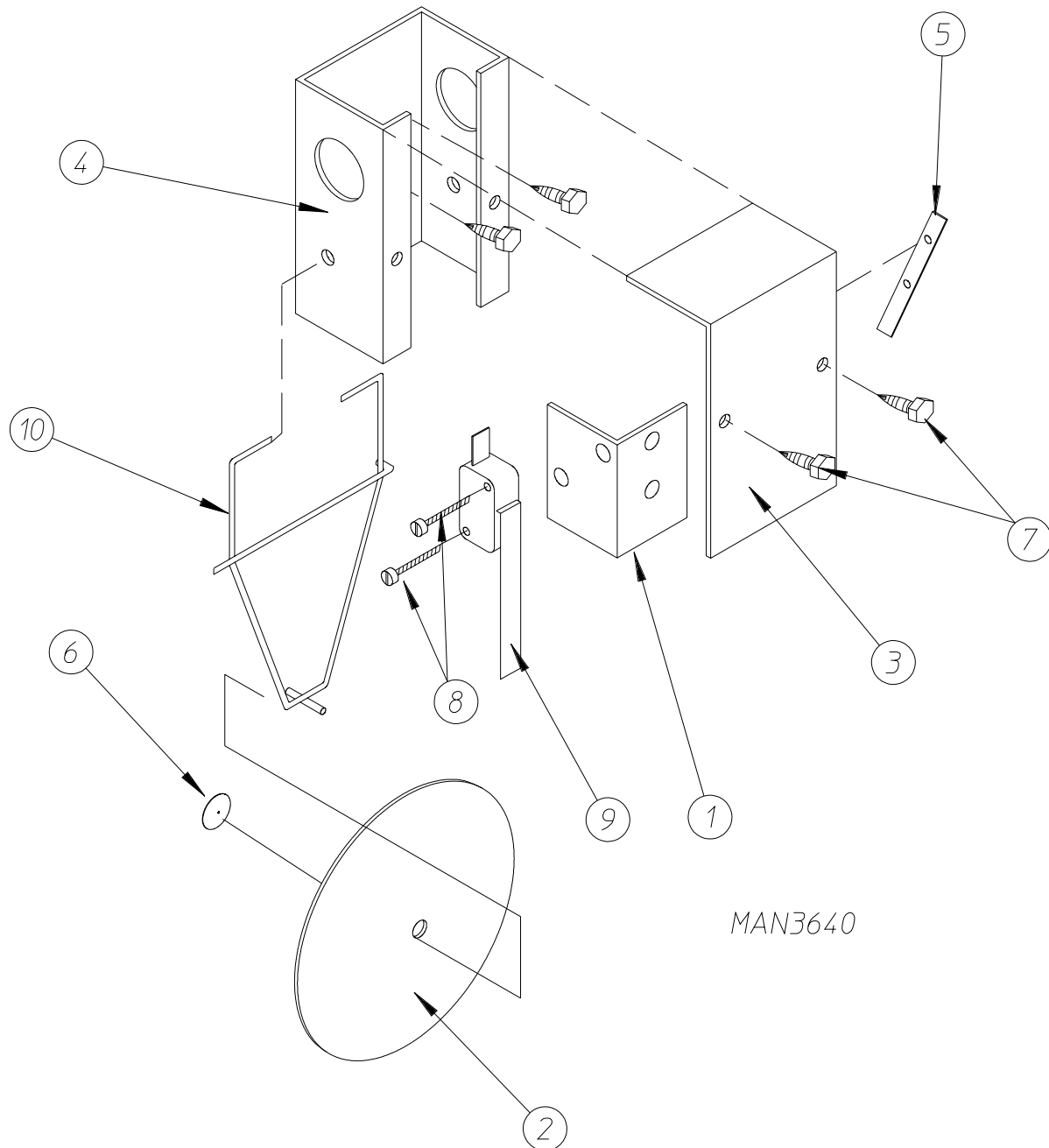
ELECTRIC OVEN (REAR VIEW)

<u>Illus. No.</u>	<u>Part No.</u>	<u>Qty.</u>	<u>Description</u>
1	803005	1	Large Electric Oven Box ONLY
	-----*	1	Electric Oven Assembly Complete
2	-----*	-	Electric Element
3	150300	2	#10-16 x 1/2" Hex Washer TEK Screw
4	802800	1	Sail Switch Box with Bracket and Cover ONLY
	802801	1	Sail Switch Box Assembly Complete (includes illus. nos. 4 through 12)
5	154004	1	Twin Speed Nut
6	150309	2	#10-16 x 1/2" Hex Head TEK Crimptite Screw
7	802799	1	Sail Switch Box Cover and Bracket ONLY
8	122200	1	Sail Switch ONLY
9	150303	2	#4 x 3/4" Pan Head "A" Machine Screw
10	105500	1	Sail Switch Actuator Rod
11	319202	1	Sail Switch Damper (flat)
12	154002	1	1/8" Push On Fastener
13	150300	2	#10-16 x 1/2" Hex Washer TEK Screw
14	803100	1	Electric Oven Front Cover ONLY
15	320611	1	Large Relay Box Cover ONLY
16	150301	2	#8-18 x 7/16" Phillips Pan Head TEK Screw
17	130400	1	290° Hi-Limit
18	150300	2	#10-16 x 1/2" Hex Washer TEK Screw
19	154001	1	#10-24 Speed Nut
20	121012	1	Terminal Lug for 110-8 Wire
21	152014	3	1/4-20 Free Spin Wash Nut
22	-----*	1	Oven Relay
23	-----*	1	Oven Relay Replacement Coil
24	120081	-	Internal Ceramic Insulator (2 per element)
25	120080	-	External Ceramic Insulator (2 per element)
26	152008	-	#10-32 Hex Nut (4 per element)
27	121011*	-	Bus Bar
28	-----**	-	Oven Wire
29	153009	-	#10 Star Washer (2 per element)
30	320607	1	Large Electric Oven Right Side Cover ONLY
31	150402	2	#10-24 x 5/8" Truss Head Machine Screw
***	882772	1	Steam to Electric Interface Plate...Not Illustrated

\* Refer to **Electric Oven Component Application Chart** on **page 35**.

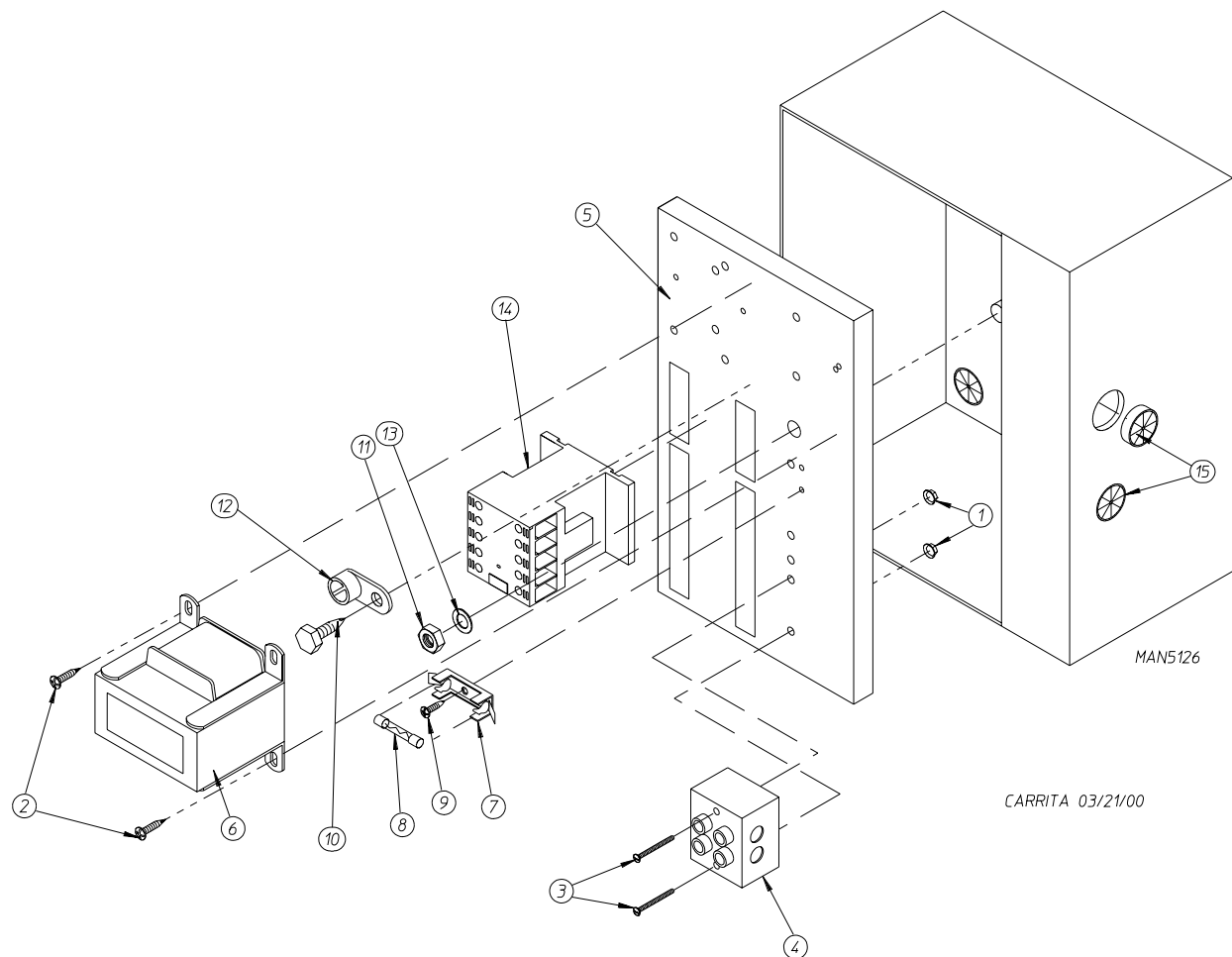
\*\* Consult factory for wiring harness required.

\*\*\* Needed when converting from steam heat to electric heat.

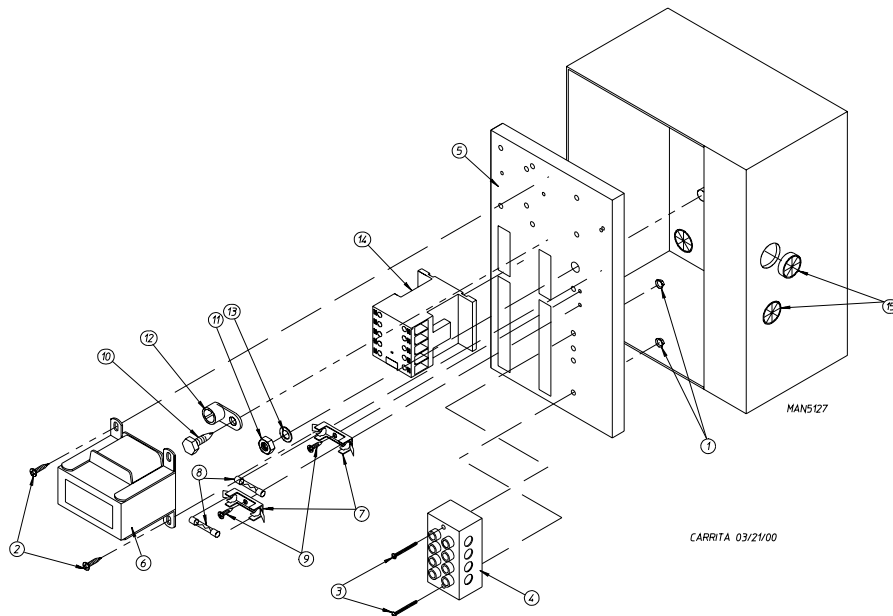


MAN3640

<u>Illus. No.</u>	<u>Part No.</u>	<u>Qty.</u>	<u>Description</u>
1	319203	1	Sail Switch Mounting Bracket
2	319202	1	Sail Switch Damper (flat)
3	319201	1	Sail Switch Box Cover
4	319200	1	Sail Switch Box
5	154004	1	Twin Speed Nut
6	154002	1	1/8" Push On Fastener
7	150309	4	#10-16 x 1/2" Hex Head TEK Crimptite Screw
8	150303	2	#4 x 3/4" Pan Head "A" Machine Screw
9	122200	1	Sail Switch ONLY
	881706	1	Sail Switch Box Assembly Complete (includes illus. nos. 1 through 10)
10	105500	1	Sail Switch Actuator Rod

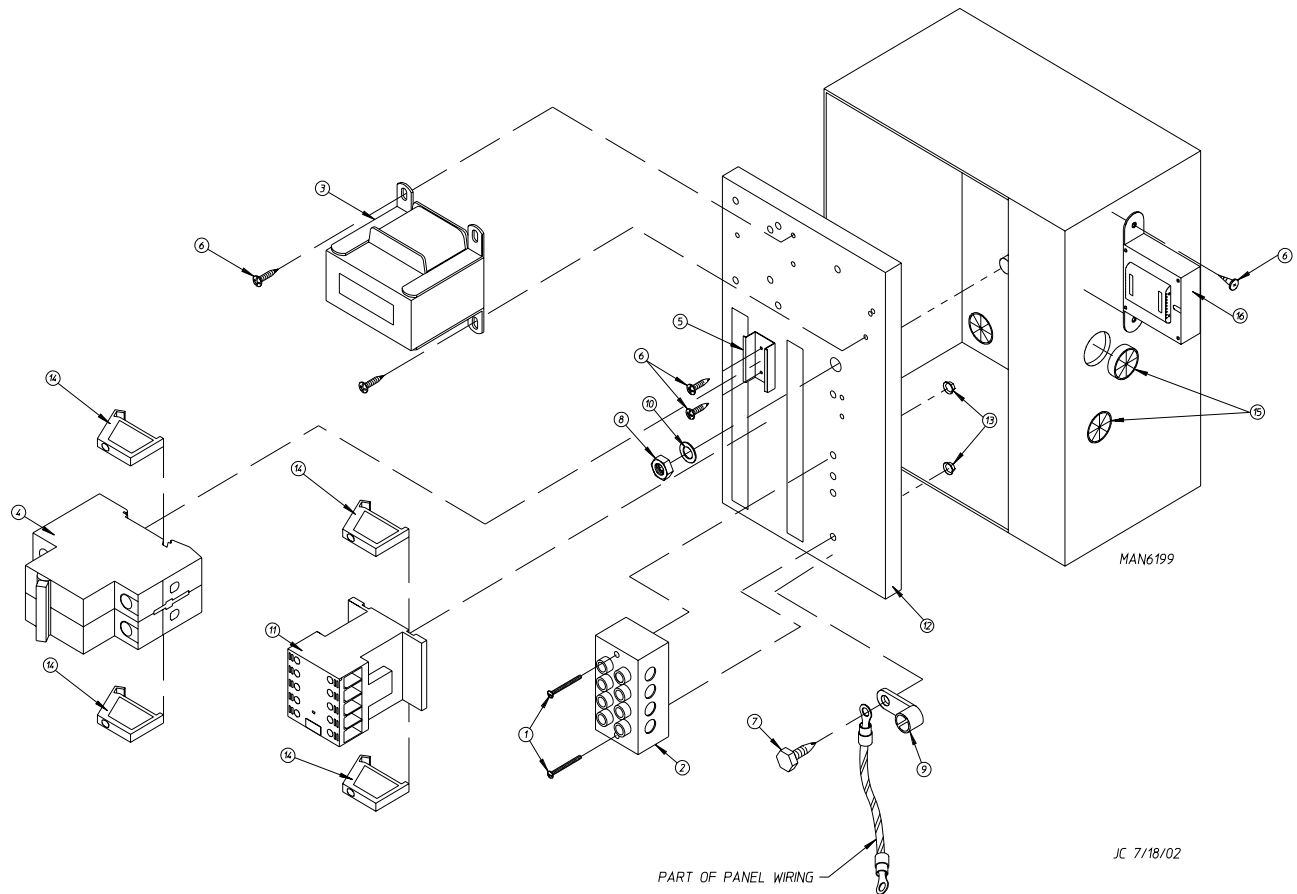


<u>Illus. No.</u>	<u>Part No.</u>	<u>Qty.</u>	<u>Description</u>
1	151000	2	#6-32 Pal Nut
2	150300	2	#10-16 x 1/2" Hex Washer TEK Screw
3	150008	2	#6-32 x 1-1/4" Phillips Pan Head Machine Screw
4	120716	1	2-Position Terminal Block
5	322817	1	Rear Electric Mounting Plate ONLY
	882662	1	Rear Electric Panel Assembly Complete - 120 Volt (includes illus. nos. 1 through 14)
	882663	1	Rear Electric Panel Assembly Complete - 208-240 Volt (includes illus. nos. 1 through 14)
6	882652	1	Transformer Assembly - 120 Volt
	882653	1	Transformer Assembly - 208-240 Volt
7	136008	1 or 2	Fuse Holder ONLY
8	136049	1	3/4-Amp (slo blo) Fuse ONLY - 120 Volt
	136057	2	1/2-Amp (slo blo) Fuse ONLY - 208-240 Volt
9	150301	1	#8-18 x 7/16" Phillips Pan Head TEK Screw
10	150297	1	#10 x 1/2" Hex Washer TEK Screw (green)
11	152004	1	5/16-18 Hex Nut
12	121010	1	L-70 Ground Lug
13	153002	1	5/16" Lock Washer
14	132459	1	3-Pole Contactor
15	121300	3	Open/Closed Bushing

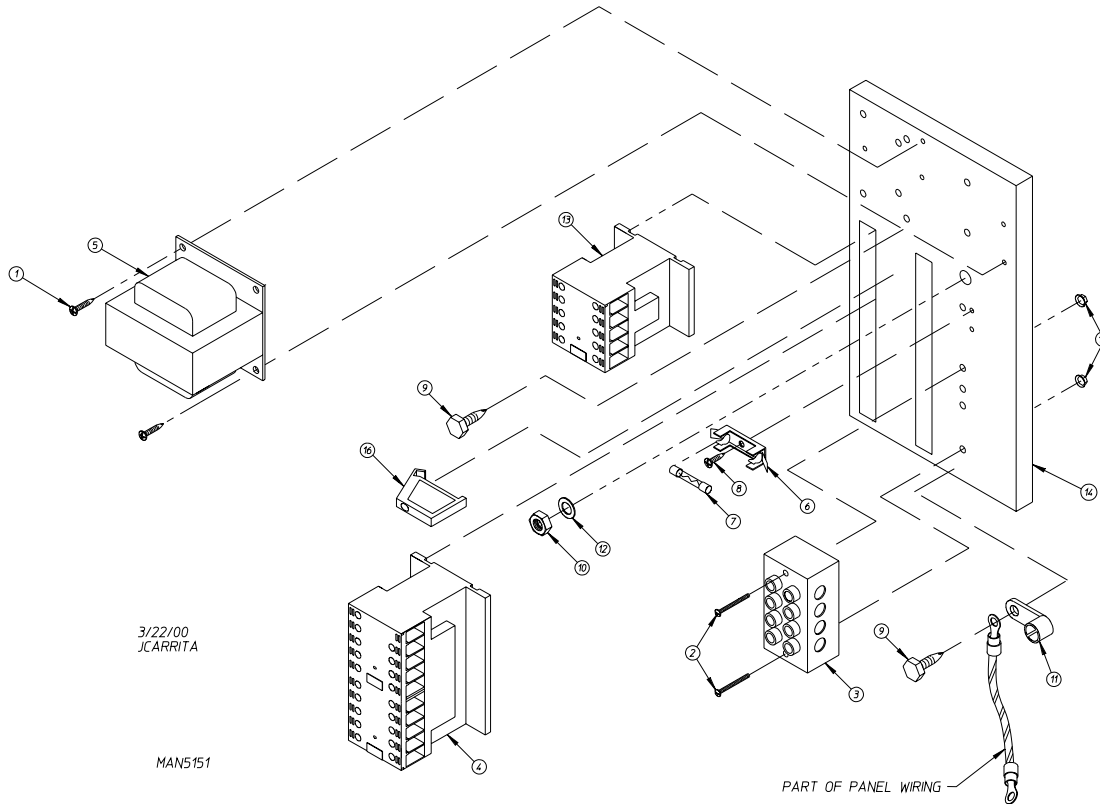


<u>Illus. No.</u>	<u>Part No.</u>	<u>Qty.</u>	<u>Description</u>
1	151000	2	#6-32 Pal Nut
2	150300	2	#10-16 x 1/2" Hex Washer TEK Screw
3	150008	2	#6-32 x 1-1/4" Phillips Pan Head Machine Screw
4	120701	1	4-Position Terminal Block (for models mfd. with 3 $\phi$ motors)
	120716	1	2-Position Terminal Block (for models mfd. with 1 $\phi$ motors)
5	322817	1	Rear Electric Mounting Plate ONLY
	882664	1	Rear Electric Panel Assembly Complete - 208-240 Volt For Gas and Steam Models ONLY (includes illus. nos. 1 through 14)
	818400	1	Rear Electric Panel Assembly - 208-240 Volt For Electric Heated Models ONLY (includes illus. nos. 1 through 14)
	882665	1	Rear Electric Panel Assembly Complete - 380-416 Volt (includes illus. nos. 1 through 14)
	818395	1	Rear Electric Panel Assembly Complete - 208-240 Volt For Electric Heated Models ONLY For Models Mfd. with Single-Phase (1 $\phi$ ) Motor ONLY (includes illus. nos. 1 through 14)
	882667	1	Rear Electric Panel Assembly Complete - 380-416 Volt (includes illus. nos. 1 through 14) For Electric Heated Models ONLY For Models Mfd. with Single-Phase (1 $\phi$ ) Motor ONLY
6	882653	1	Transformer Assembly - 208-240 Volt for Gas and Steam Models ONLY
	818396	1	Transformer Assembly - 208-240 Volt for Electric Heated Models ONLY
	882654	1	Transformer Assembly - 380-416 Volt
7	136008	2	Fuse Holder ONLY
8	136057	2	1/2-Amp (slo blo) Fuse ONLY - 208-240 Volt
9	150301	2	#8-18 x 7/16" Phillips Pan Head TEK Screw
10	150297	1	#10 x 1/2" Hex Washer TEK Screw (green)
11	152004	1	5/16-18 Hex Nut
12	121010	1	L-70 Ground Lug
13	153002	1	5/16" Lock Washer
14	132459	1	3-Pole Contactor
15	121300	3	Open/Closed Bushing

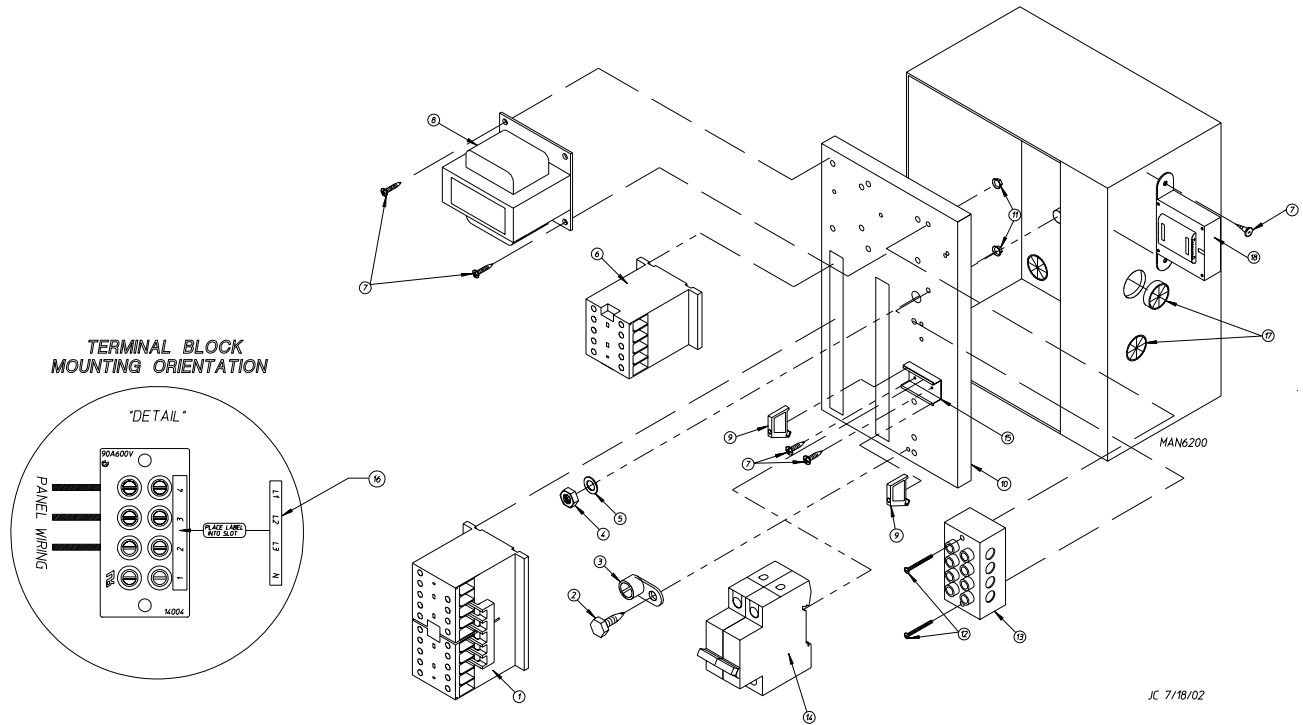




<u>Illus. No.</u>	<u>Part No.</u>	<u>Qty.</u>	<u>Description</u>
1	150009	2	#6-32 x 1-1/2" Phillips Pan Head Machine Screw
2	120701	1	4-Position Terminal Block
3	830208	1	Transformer Assembly (460 VAC) for Micro Models ONLY
	824161	1	Transformer Assembly (460 VAC) for Non-Micro Models ONLY
4	135501	1	1-Amp Double-Pole Circuit Breaker (460 VAC Only)
5	120768	2	35 x 15mm Din Rail
6	150301	4	#8-18 x 7/16" Phillips Pan Head TEK Screw
7	150297	2	#10 x 1/2" Ground Screw
8	152004	1	5/16-18 Hex Nut
9	121010	1	L-70 Ground Lug
10	153002	1	5/16" Lock Washer
11	132459	1	24 VAC 3-Pole Contactor
12	322817	1	Mounting Plate ONLY
	883332	1	Rear Panel Assembly Complete (460 VAC) for Micro Models ONLY (includes illus. nos. 1 through 14)
	830262	1	Rear Panel Assembly Complete (460 VAC) for Non-Micro Models ONLY (includes illus. nos. 1 through 14)
13	151000	2	#6-32 Pal Nut
14	120765	4	End Stop
15	121300	1	Open/Closed Bushing
16	141403	1	Control Voltage Transformer (24V) for Micro Models ONLY

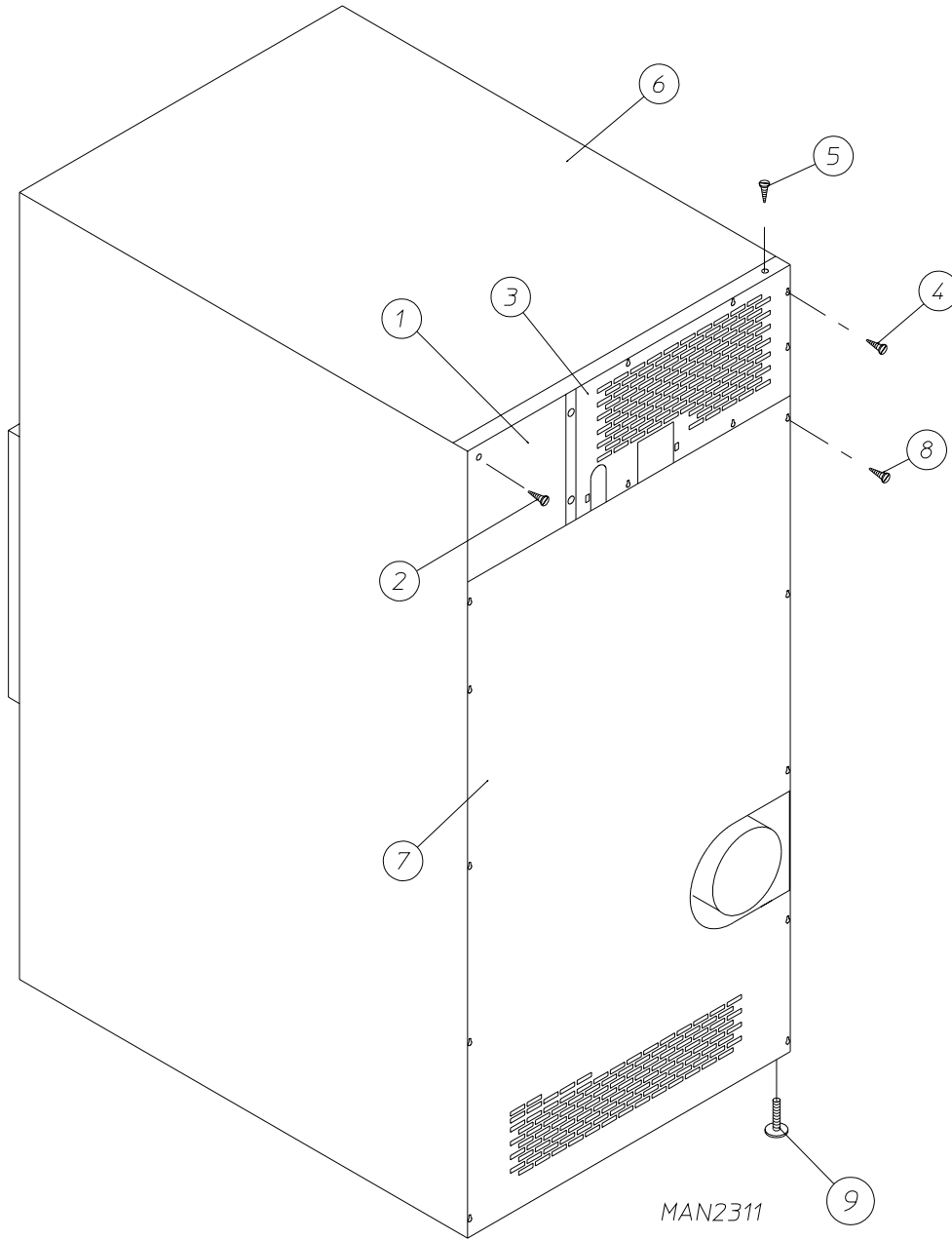


Illus. No.	Part No.	Qty.	Description
1	150300	2	#10-16 x 1/2" Hex Washer TEK Screw
2	150008	2	#6-32 x 1-1/4" Phillips Pan Head Machine Screw
3	120701	1	4-Position Terminal Block
4	132458	1	3-Pole Reversing Contactor
5	882653	1	Transformer Assembly - 208-240 Volt for Gas and Steam Models ONLY
	825428	1	Transformer Assembly - 208-240 Volt for Electric Heated Models ONLY
	882654	1	Transformer Assembly - 380-416 Volt
6	136008	1	Fuse Holder ONLY
7	136057	1	1/2-Amp (slo blo) Fuse ONLY - 208-240 Volt
8	150301	1	#8-18 x 7/16" Phillips Pan Head TEK Screw
9	150297	1	#10 x 1/2" Hex Washer TEK Screw (green)
10	152004	1	5/16-18 Hex Nut
11	121010	1	L-70 Ground Lug
12	153002	1	5/16" Lock Washer
13	132459	1	3-Pole Contactor
14	322812	1	Rear Electric Mounting Plate ONLY
	882673	1	Rear Electric Panel Assembly Complete - 208-240 Volt For Gas and Steam Models ONLY (includes illus. nos. 1 through 16)
	883335	1	Rear Electric Panel Assembly Complete (208-240 volt Only) For Electric Heated Models ONLY (includes illus. nos. 1 through 16)
	882676	1	Rear Electric Panel Assembly Complete - 380-416 Volt (includes illus. nos. 1 through 16)
15	151000	2	#6-32 Pal Nut
16	120765	1	Standard End Bracket



<u>Illus. No.</u>	<u>Part No.</u>	<u>Qty.</u>	<u>Description</u>
1	132458	1	24 VAC Reversing Contactor
2	150297	1	#10 x 1/2" Hex Head TEK Screw (green)
3	121010	1	L-70 Ground Lug
4	152004	1	5/16-18 Hex Nut
5	153002	1	5/16" Lock Washer
6	132459	1	24 VAC 3-Pole Blower Contactor
7	150300	4	#10-16 x 1/2" Hex Washer TEK Screw
8	830208	1	Transformer Assembly (460 VAC) for Micro Models ONLY
	824161	1	Transformer Assembly (460 VAC) for Non-Micro Models ONLY
9	120765	2	End Stop
10	322817	1	Mounting Plate ONLY
	883327	1	460 VAC Reversing Rear Electrical Panel Assembly Complete For Micro Models ONLY (includes illus. nos. 1 through 16)
	-----*	1	460 VAC Reversing Rear Electric Panel Assembly Complete For Non-Micro Models ONLY (includes illus. nos. 1 through 16)
11	151000	2	#6-32 Pal Nut
12	150009	2	#6-32 x 1-1/2" Phillips Pan Head Machine Screw
13	120701	1	4-Position Terminal Block
14	135501	1	1-Amp Double-Pole Circuit Breaker
15	120768	2	35 x 15mm Din Rail (sold by the inch)
16	112068	1	3-Phase (3Ø) Power Input Label
17	121300	1	Open/Closed Bushing
18	141403	1	Control Voltage Transformer (24V) for Micro Models ONLY

\* Not available at time of printing. Contact factory for additional information.



<u>Illus. No.</u>	<u>Part No.</u>	<u>Qty.</u>	<u>Description</u>
1	322809	1	Back Electrical Box Cover
2	150301	4	#8-18 x 7/16" Phillips Pan Head TEK Screw
3*	323738	1	Top Back Guard (for gas models Only)
	314510	1	Top Back Guard (for electric models Only)
4	150301	7	#8-18 x 7/16" Phillips Pan Head TEK Screw
5	150300	10	#10-16 x 1/2" Hex Washer TEK Screw
6*	312527	1	Outer Top
7	314518	1	Bottom Back Guard
8	150301	13	#8-18 x 7/16" Phillips Pan Head TEK Screw
9	103500	4	Leveling Leg

\* There is no outer top or top back guard on steam models.

Kw	Volt	Phase	Wire	Oven Assembly* Part No.	Elements			Oven Wire			Terminal Lug		Bus Bar P/N 121011	Oven Relay	
					Qty.	Size	Part No.	Qty.	Size	Part No.	Qty.	Part No.		Cat. No.	Part No.
30	208	3 $\phi$	3 or 4	824918	6	5	120012	1	#4	830405	1	121010	1	DPA93	131358
30	240	3 $\phi$	3	824972	6	5	120013	1	#4	830405	4	121010	1	DPA73	131376
30	416	3 $\phi$	3 or 4	826391	6	5	120013	1	#8	830401	1	121010	2	DPA43	131357
30	460/480	3 $\phi$	3 or 4	824953	6	5	120013	1	#8	830402	1	121010	2	DPA43	131357
25	380	3 $\phi$	3 or 4	826391	6	5	120013	1	#8	830401	1	121010	2	DPA43	131357
24	208	3 $\phi$	3 or 4	824916	6	4	120010	1	#4	830405	1	121010	1	DPA73	131376
24	240	3 $\phi$	3	883391	6	4	120011	1	#6	830404	1	121010	1	DPA63	131369
24	416	3 $\phi$	3 or 4	883522	6	4	120010	4	#8	133100	6	121010	2	BEAJ	131352
24	460/480	3 $\phi$	3 or 4	883392	6	4	120011	1	#8	830402	1	121010	2	DPA33	131352

\* When ordering oven assembly complete, specify 3 wire or 4 wire when applicable, as well as if dryer has microprocessor or non-microprocessor controls.

N/A = Not available.

**NOTE:** Coin acceptors listed include optical switch (ADC Part No. 881143).

### **Single Coin\***

<u>ADC Part No.</u>	<u>Nation</u>	<u>Description</u>
883363	United States	25¢ Hanke Optic Coin Acceptor with Studs For Models Mfd. as of July 1, 2002
882689	United States	25¢ Hanke Optic Coin Acceptor For Models Mfd. prior to July 1, 2002

### **Dual Coin\***

881508	U.S. and Canada	10¢/25¢ Hanke Dual Optic Coin Acceptor
881842	Canada	25¢/\$1 Hanke Dual Optic Coin Acceptor

\* Consult factory for coin acceptors not listed.

<u>Part No.</u>	<u>Description</u>
112039	“Black/White/Green Ground” Label
112280	“Clean Lint Screen” Label
114001	“CAUTION - Exhaust/Lint Screen” Label
112534	“Phase 5 OPL Program Location Summary” Label
114006	“WARNING - Fire Hazards” Label
114094	“MOP HEAD WARNING” Label
121499	5-1/2” Wire Tie
121500	8” Harness Tie
122804	Manometer (hydro gauge) for Measuring Gas Pressure
404502	White Brush-In-Cap Bottle Touch-Up Paint
410001	1/2” Allen Wrench (for removal of shutoff valve tail piece)
882458	Tumbler Puller Assembly

