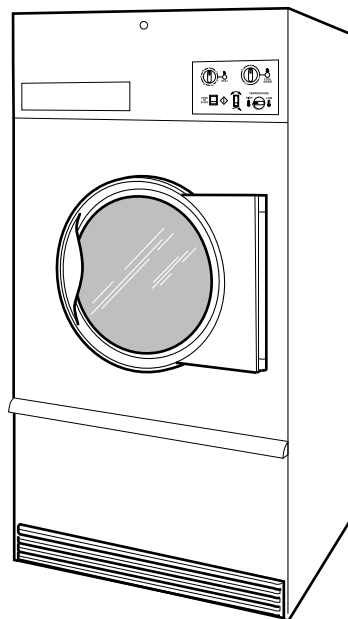


# Drying Tumblers

75 Pound Capacity

Refer to Page 5 for Model Numbers



TMB795C



# Table of Contents

Title	Page
Parts Ordering Information .....	4
Serial Plate Location.....	4
Model Identification.....	5
Control Box .....	6
Electromechanical Coin Drop .....	8
Coin Meter .....	10
Manual Dual Timer Controls.....	12
Manual Dual Timer Controls.....	14
OPL Microprocessor Controls.....	16
Coin Drop (NetMaster Models).....	18
NetMaster Card Reader.....	20
NetMaster Network Connection.....	22
Cabinet Front Components.....	24
Cabinet Front Components.....	26
Lower Cabinet Front Components.....	28
Cabinet Components .....	30
Door and Hinge Components .....	32
Cylinder and Trunnion Assemblies .....	34
Trunnion Housing .....	36
Drive Components For Reversing Models.....	38
Idler Drive Components for Nonreversing Models.....	40
Idler Housing Assembly for Reversing Models .....	42
Idler Housing Assembly For Nonreversing Models.....	44
Fan and Motor Components .....	46
Fan and Motor Components .....	48
Reversing Cylinder Drive Motor and Components .....	50
Gas Heater Components .....	52
Gas Heater Components .....	54
Gas Heater Components .....	56
Non-EU Electric Heater Components .....	58
EU Electric Heater Components .....	60
Airflow Switch Assembly.....	62

(continued)

© Copyright 2002, Alliance Laundry Systems LLC

All rights reserved. No part of the contents of this book may be reproduced or transmitted in any form or by any means without the expressed written consent of the publisher.

Steam Heater and Valve.....	64
EU Emergency Stop Button.....	66
Contactor Box Assemblies	
Gas and Steam.....	68-81
Electric.....	82-93
Electric Accessory Box Assemblies.....	94-99
EU Contactor Box Assemblies	
Gas and Steam.....	100-119
Electric.....	120-135
Motor Usage Tables.....	136
Parts Index.....	137

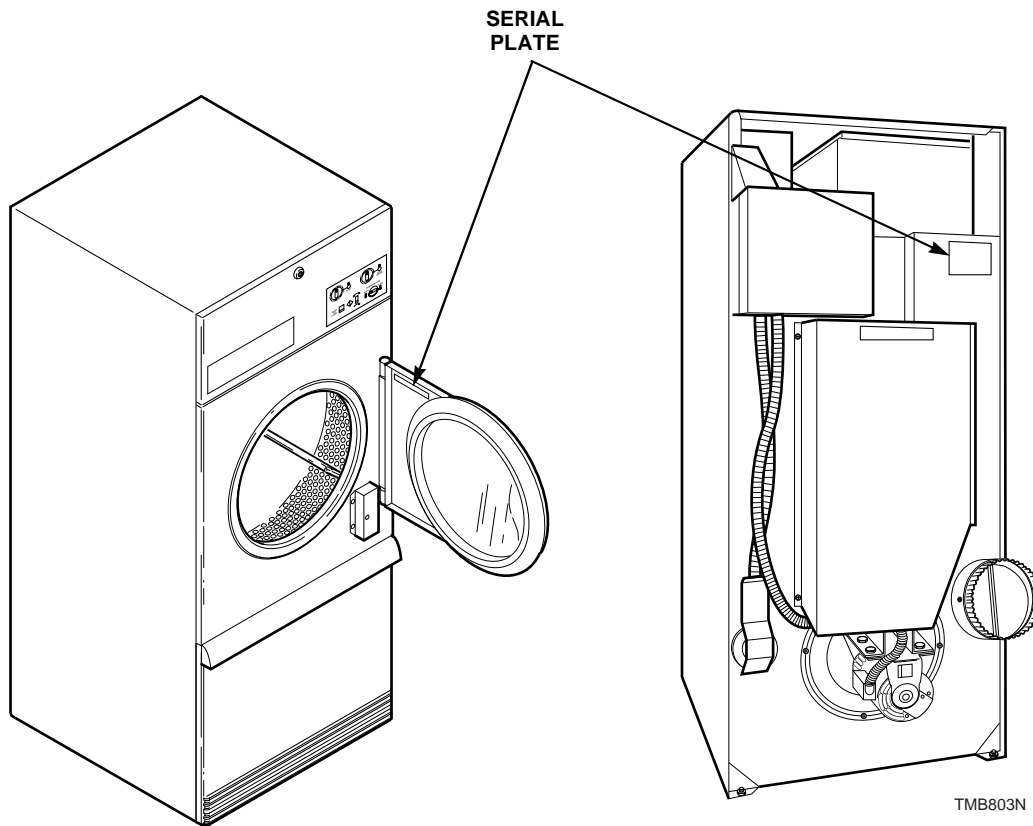
# Parts Ordering Information

If literature or replacement parts are required, contact the source from whom the machine was purchased or contact Alliance Laundry Systems at (920) 748-3950 for the name and address of the nearest authorized parts distributor.

For technical assistance, call (920) 748-3121.

## Serial Plate Location

When calling or writing about your product, be sure to mention model and serial numbers. Model and serial numbers are located on serial plate(s) as shown.





## Model Identification

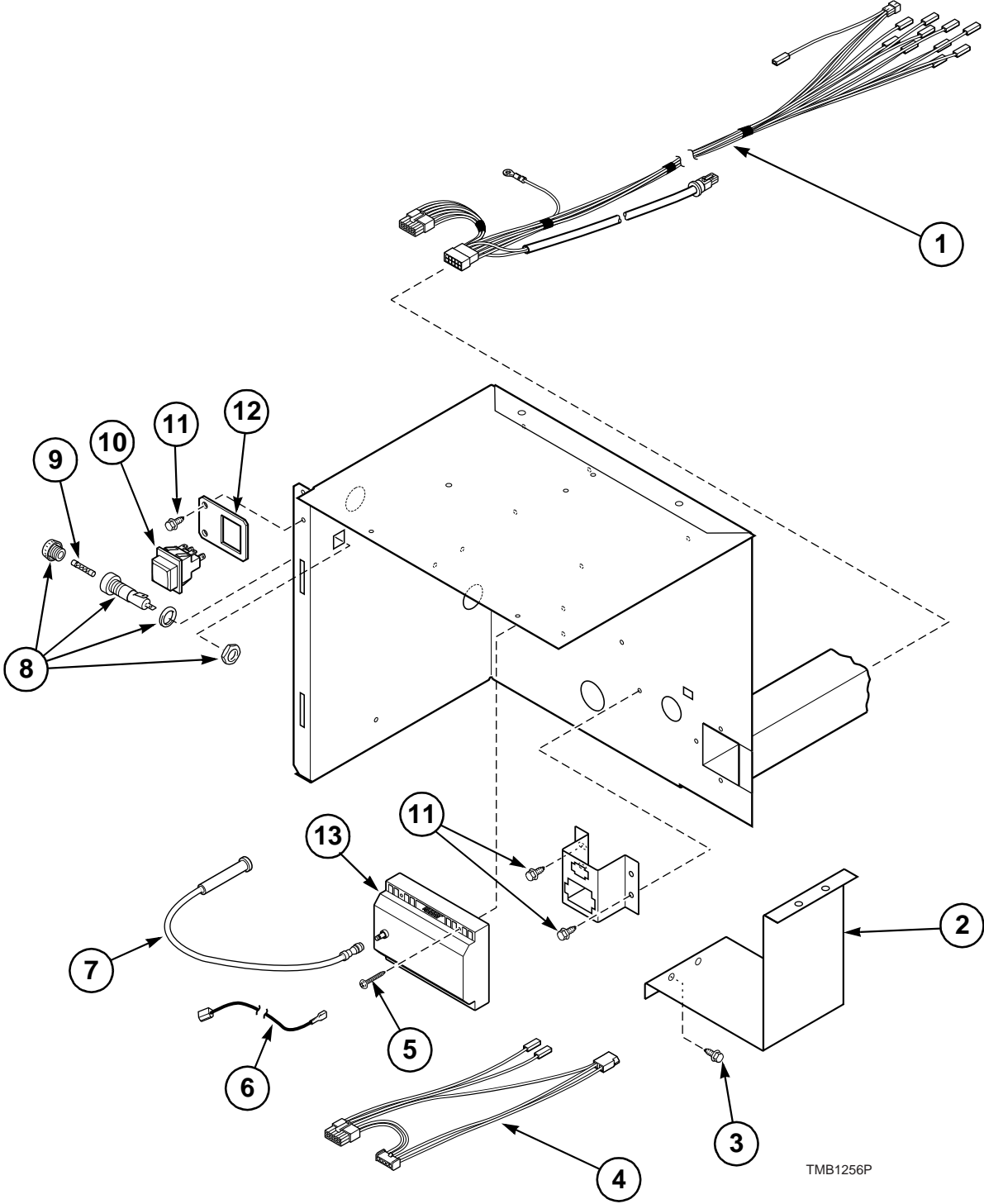
Information in this manual is applicable to the following models†:

Gas				Steam		Electric	
AT075L	PA075L	ST075L	UA075N	AT075S	ST075S	HT075E	ST075E
AT075N	PA075N	ST075N	UT075L	HT075S	SU075S	HU075E	SU075E
HA075L	PT075L	STF75L	UT075N	HU075S	UT075S	PT075E	UT075E
HA075N	PT075N	STF75N	UTF75L	PT075S	UU075S	PU075E	UU075E
HT075L	PU075L	SU075L	UTF75N	PU075S			
HT075N	PU075N	SU075N	UU075L				
HU075L	SA075L	UA075L	UU075N				
HU075N	SA075N						

†Control suffixes: (7th and 8th characters)

CD - rotary coin drop	NR - NetMaster card	RT - reversing manual timer
CX - prep for coin	NX - NetMaster prep for coin	ZC - NetMaster coin network ready
CY - prep for card	NY - NetMaster prep for card	ZR - NetMaster card network ready
MT - manual timer	OM - OPL micro	ZX - NetMaster prep for coin network ready
NC - NetMaster coin	RM - reversing OPL micro	ZY - NetMaster prep for card network ready

# Control Box



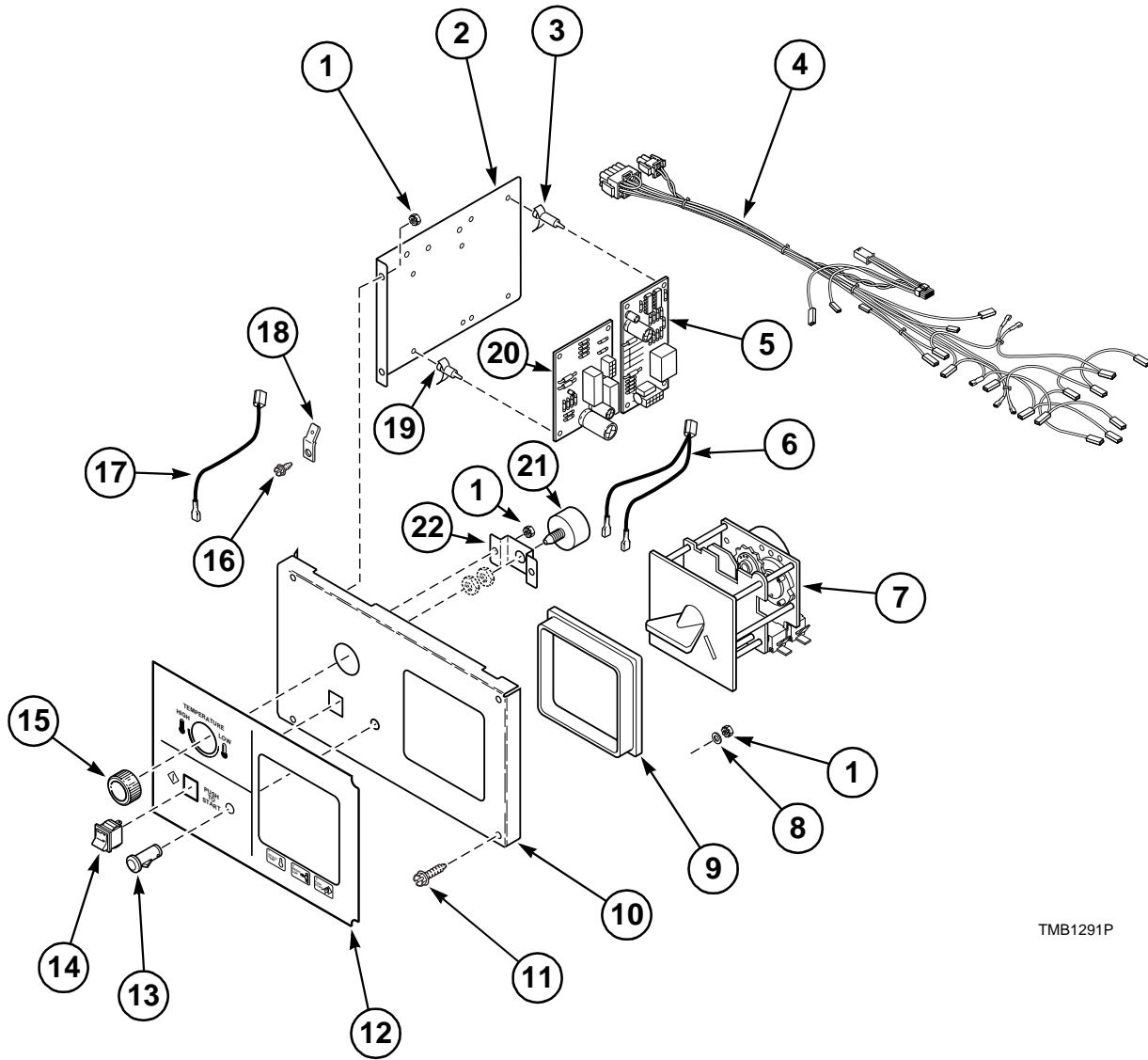


# Control Box

REF	PART #	DESCRIPTION	COMMENTS
1	44006301	Harness	Main; Non-EU models
	44006501	Harness	Main; EU models with control suffixes CD, MT or RT
	M414035	Harness	Main; EU models with control suffixes OM, RM, NC, NR, ZC or ZR
2	M414873	Shield	Models with control suffix NC, NR, ZC or ZR
3	51780	Screw	4 required
4	M413168	Harness	Bypass; Steam; EU models
	M413678	Harness	Control Box; Gas; All models except EU and Australian
	M413679	Harness	Bypass; Steam; All models except EU
	M413680	Harness	Control Box; Electric; All models except EU
	M413824	Harness	Control Box; Gas; Australian models
	M413993	Harness	Control Box; Gas; EU models
	M413994	Harness	Control Box; Electric; EU models
5	70069901	Screw	2 required; Gas models
	M411143	Screw	2 required; Australian gas models
6	M411061	Return Lead	Australian models; Gas
7	44005401	High Voltage Lead	Non-Australian models; Gas
	M410989	High Voltage Lead	Australian models; Gas
8	91024	Fuse Receptacle	Non-EU models
9	M414232	Fuse	Non-EU models
10	M413431	Reset Switch	EU models; Gas
11	430497	Screw	
12	44005101	Switch Bracket	EU models; Gas
13	M410904P	Ignition Control	Australian models; Gas
	M413433P	Ignition Control	EU models; Gas
	M413532P	Ignition Control	Non-EU models, Non-Australian models; Gas

# Electromechanical Coin Drop

Models with Control Suffix CD



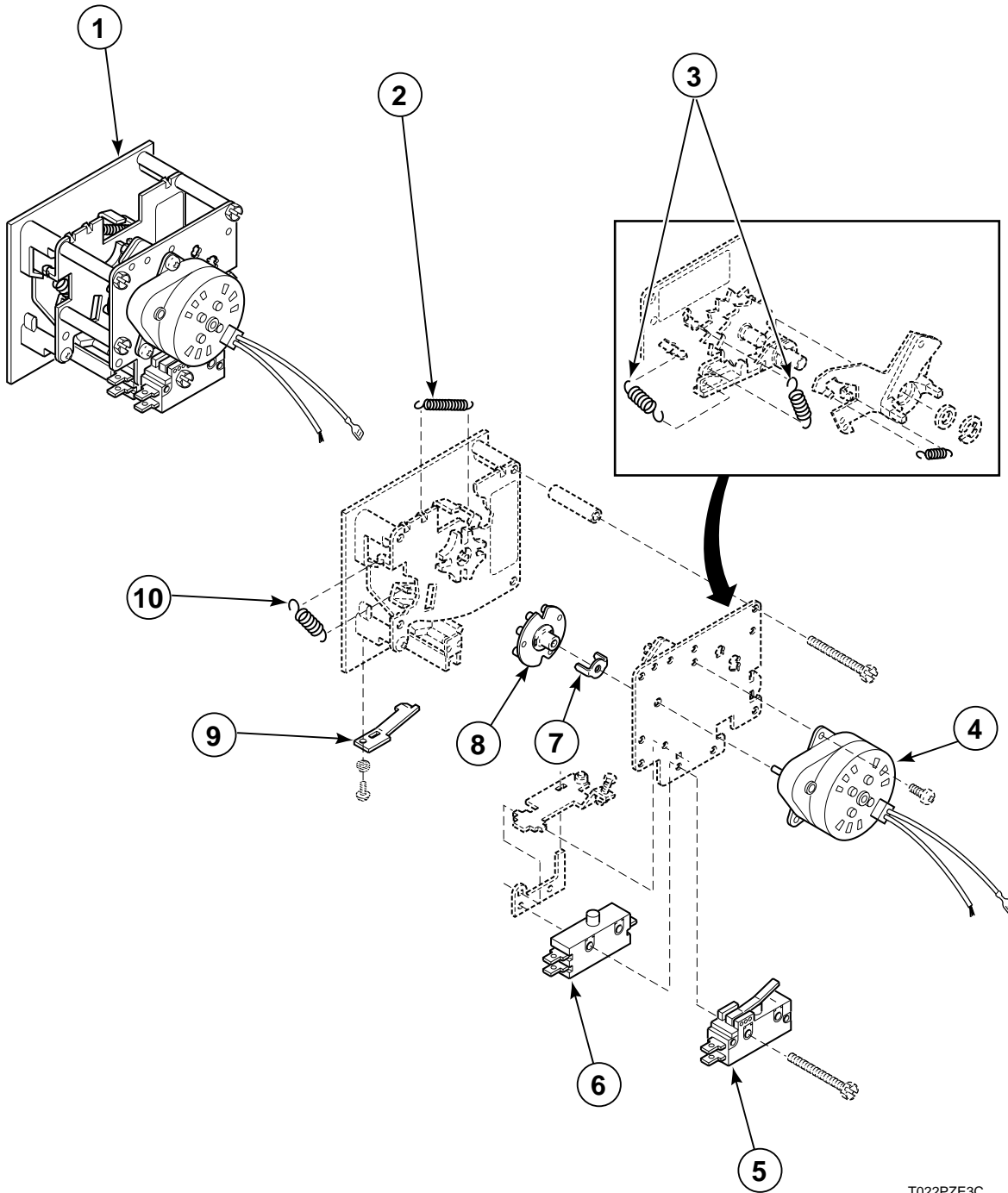
TMB1291P

# Electromechanical Coin Drop

Models with Control Suffix CD

REF	PART #	DESCRIPTION	COMMENTS
	M409532	Cam Package	Timing cams
1	70054	Nut	7 required
2	44018601	Bracket	Temperature control
3	34896	Circuit Board Support	4 required
4	44005501	Control Panel Harness	Non-EU models
	44006601	Control Panel Harness	EU models; Electric
	44025801	Control Panel Harness	EU models; Gas and steam
5	431347P	Temperature Control Board	
6	70084104	Jumper Calibration	
7	70112401	Coin Meter	Australia .20/5
	70112501	Coin Meter	Australia 1/15
	70112701	Coin Meter	US .25/10; 60 Hertz
	70137301	Coin Meter	Standard 118-1; 60 Hertz
	70137401	Coin Meter	Standard 118-5; 60 Hertz
	70138401	Coin Meter	US .25/10; 50 Hertz
	70151301	Coin Meter	South Africa .20/10
	M412542	Coin Meter	England 20 Pence
	M412544	Coin Meter	Denmark 1 Krone
	M412546	Coin Meter	Standard 118-1; 50 Hertz
	M412547	Coin Meter	Standard 118-5/10; 50 Hertz
	70262401	Coin Meter	Euro .20
	70262501	Coin Meter	Euro .50
	8	M405535	Washer
9	70061701	Shroud	Rotary drop
10	70175804	Control Plate Assembly	
11	70069901	Screw	2 required
12	70113501	Overlay	Models beginning with S; Text and icon
	70114301	Overlay	Models beginning with H; Text and icon
	70129101	Overlay	Models beginning with G; Icon only
	70131001	Overlay	Models beginning with S; Icon only
	70134801	Overlay	Models beginning with H; Icon only
	70183501	Overlay	Models beginning with P; Text and icon
13	70082201	Indicator Light	
14	70108501	Start Switch	
15	44020501	Temperature Knob	Models beginning with A, P, S and U
	44020502	Temperature Knob	Models beginning with G and H
16	430497	Screw	
17	M412645	Ground Wire	
18	M406178	Ground Terminal	
19	70178801	Circuit Board Support	4 required
20	70175301P	Control Timer Board	
21	431353P	Temperature Switch	Potentiometer
22	70080701	Bracket	

# Coin Meter



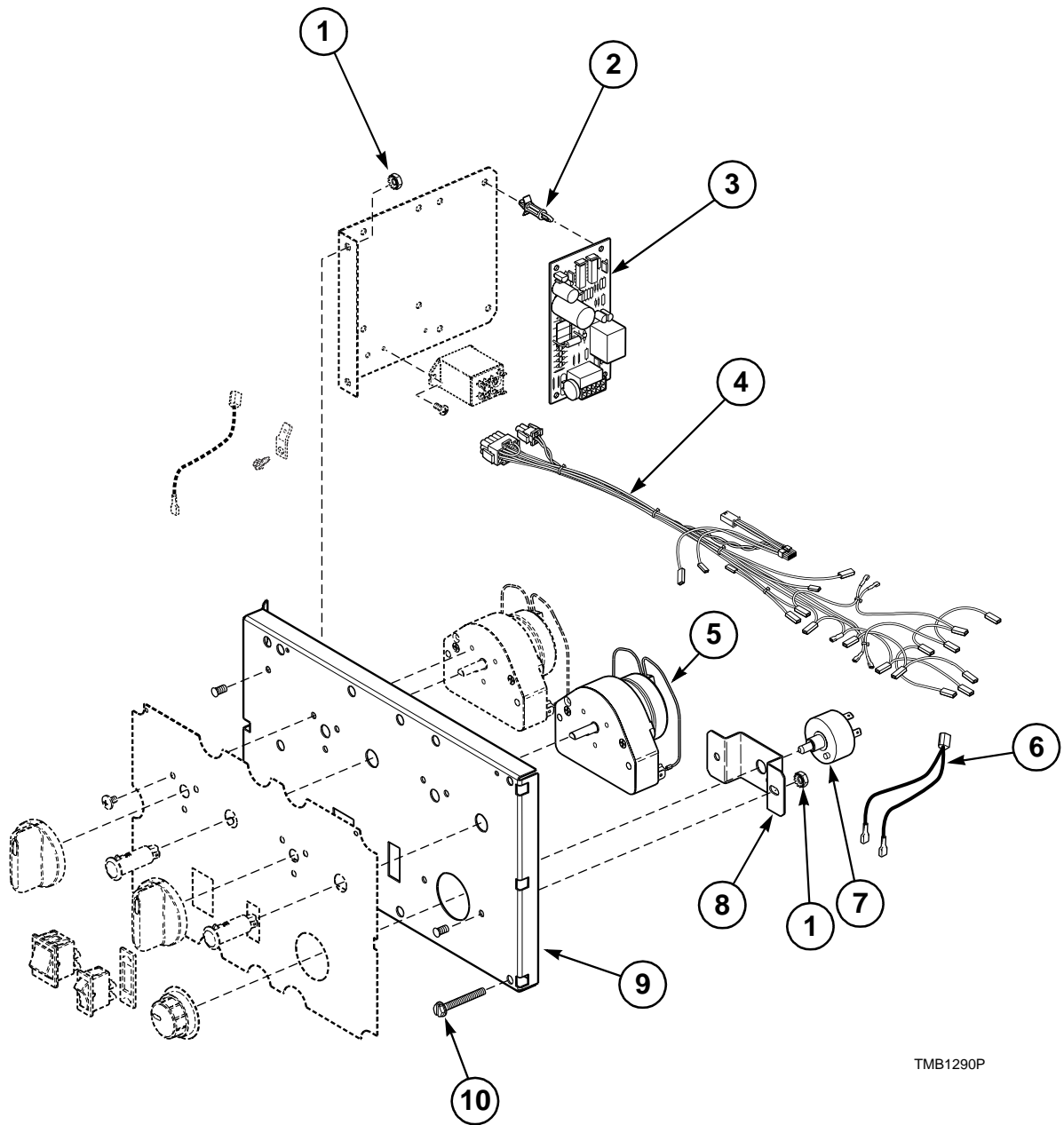
T022PZE3C

# Coin Meter

REF	PART #	DESCRIPTION	COMMENTS
1		Coin Meter	Refer to page 9
2	M405138B	Spring Return	
3	M402455	Coil Spring	
4	70218201	Timer Motor	60 Hertz
	70218301	Timer Motor	50 Hertz
5	M400947	Switch	Heat
6	M400001	Switch	Run
7	M400754	Coin Meter Drive	
8	M400732P	Timing Cam	10-Pin
	M400733P	Timing Cam	12-Pin
	M400734P	Timing Cam	2-Pin
	M400735P	Timing Cam	3-Pin
	M400736P	Timing Cam	4-Pin
	M400737P	Timing Cam	5-Pin
	M400738P	Timing Cam	6-Pin
	M400739P	Timing Cam	7-Pin
	M400740P	Timing Cam	8-Pin
	M400741P	Timing Cam	9-Pin
9	M406297	Coin Retainer Spring	
10	M405138A	Coin Carrier Spring	

# Manual Dual Timer Controls

Page 1 of 2



TMB1290P

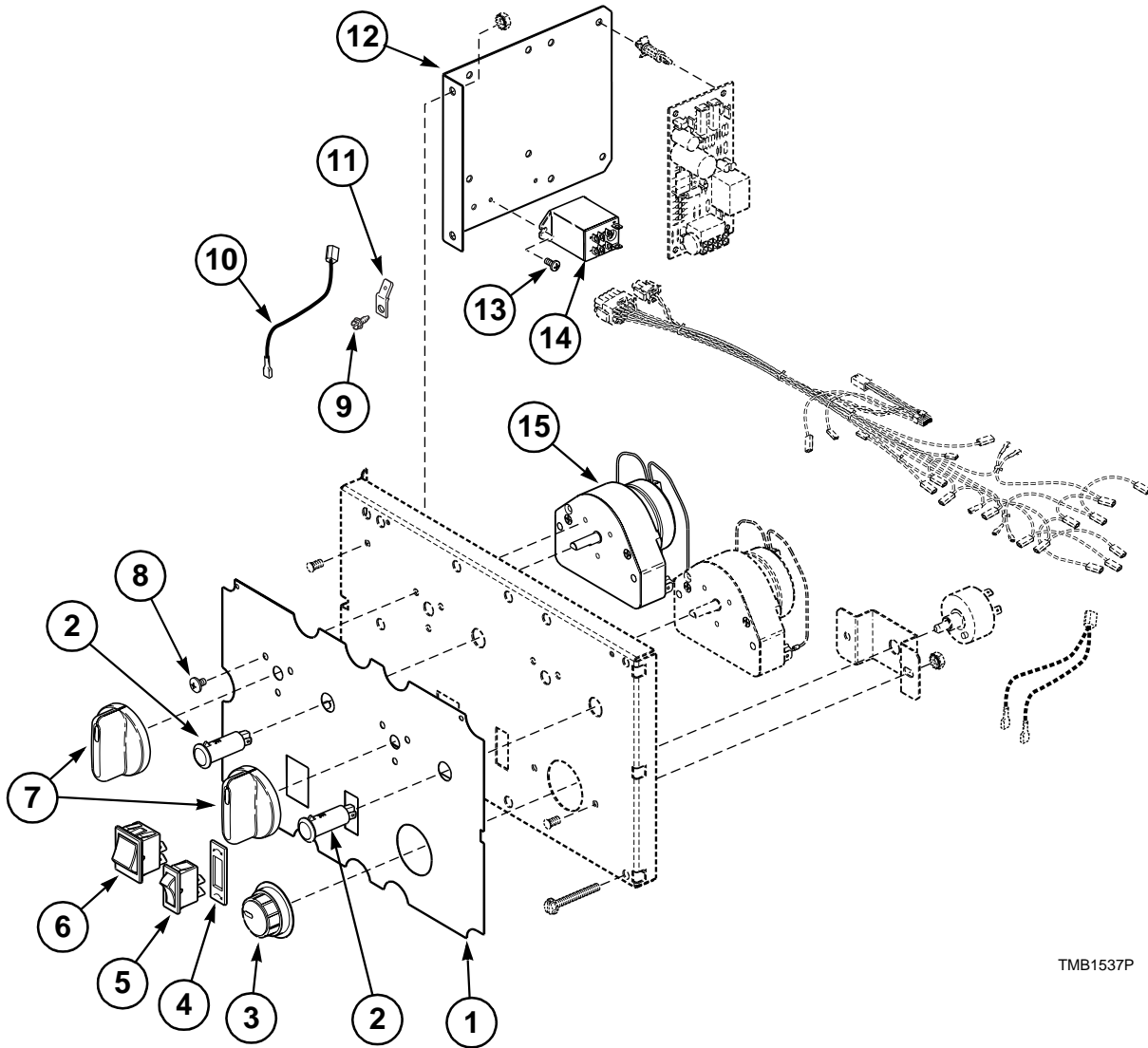
# Manual Dual Timer Controls

Page 1 of 2

REF	PART #	DESCRIPTION	COMMENTS
1	70054	Nut	4 required
2	34896	Circuit Board Support	4 required
3	431347P	Temperature Control Board	
4	44005601	Control Panel Harness	Nonreversing; Non-EU models
	44005701	Control Panel Harness	Reversing; Non-EU models
	44006701	Control Panel Harness	Nonreversing; EU models; Electric
	44006801	Control Panel Harness	Reversing; EU models; Electric
	44025601	Control Panel Harness	Nonreversing; EU models; Gas and steam
	44025701	Control Panel Harness	Reversing; EU models; Gas and steam
5	70131701P	Timer	Heat; 60 Hertz
	M412080P	Timer	Heat; 50 Hertz
6	70084104	Calibration Jumper	
7	431353	Temperature Switch	Potentiometer
8	70080701	Bracket	
9	70175803	Control Plate Assembly	Includes self-clinching studs
10	70069901	Screw	2 required

# Manual Dual Timer Controls

Page 2 of 2



TMB1537P

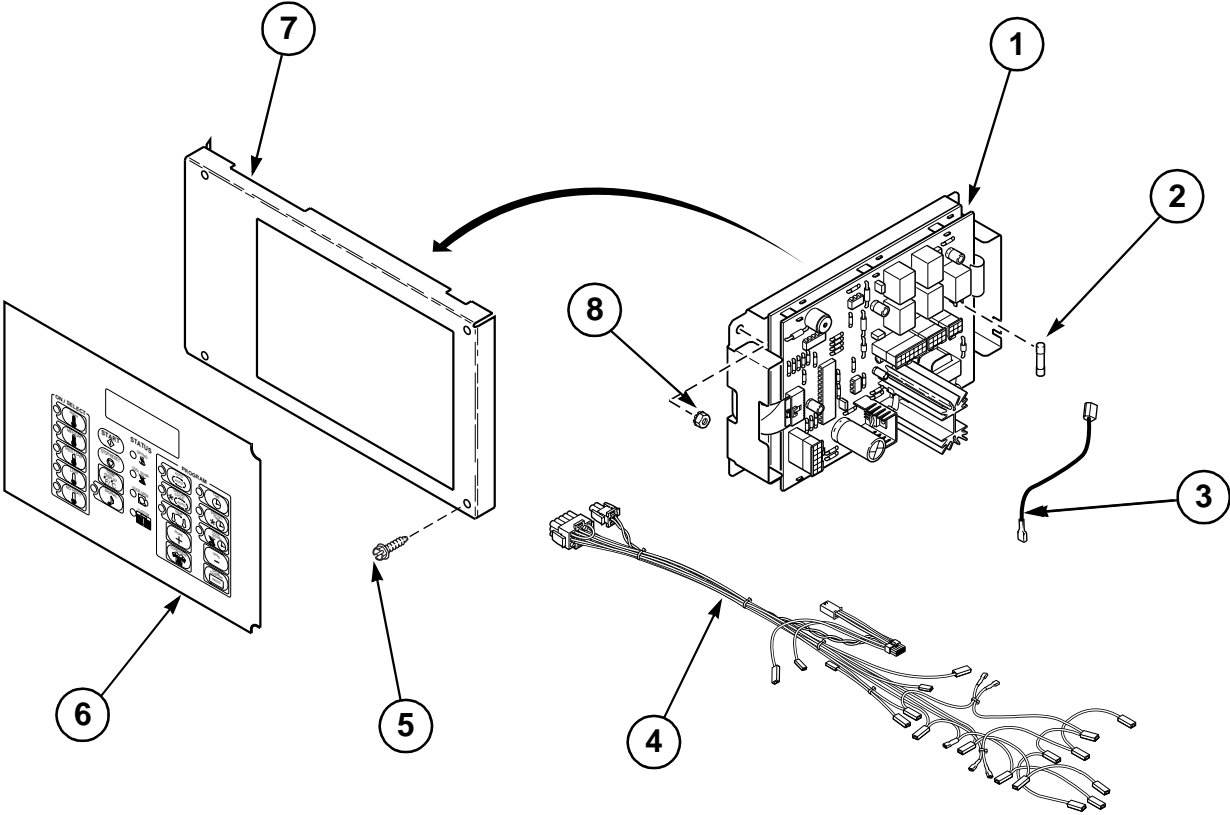


# Manual Dual Timer Controls

Page 2 of 2

REF	PART #	DESCRIPTION	COMMENTS
1	70114501	Control Overlay	Models beginning with A, S or U; Nonreversing
	70114502	Control Overlay	Models beginning with A, S or U; Reversing
	70129201	Control Overlay	Models beginning with G; Nonreversing
	70129202	Control Overlay	Models beginning with G; Reversing
	70245901	Control Overlay	Models beginning with P; Nonreversing
	70245902	Control Overlay	Models beginning with P; Reversing
	70246001	Control Overlay	Models beginning with H; Nonreversing
	70246002	Control Overlay	Models beginning with H; Reversing
	70246101	Control Overlay	Models beginning with H; Nonreversing; Icon only
	70246102	Control Overlay	Models beginning with H; Reversing; Icon only
	70134901	Control Overlay	Models beginning with S or U; Nonreversing; Icon only
	70134902	Control Overlay	Models beginning with S or U; Reversing; Icon only
2	70082201	Indicator Light	
3	44020501	Temperature Knob	Models beginning with A, P, S or U
	44020502	Temperature Knob	Models beginning with G or H
4	M413236	Switch Plate	Reversing
5	M413270	Rocker Switch	Reversing
6	70108501	Rocker Switch	Push to start
7	70082101	Timer Knob	Models beginning with A, P, S or U
	M410927	Timer Knob	Models beginning with G or H
8	M411052	Screw	3 required per timer
9	430497	Screw	
10	M412645	Ground Wire	
11	M406178	Ground Terminal	
12	44018601	Temperature Control Bracket	
13	M402797	Screw	Non-EU models; 2 required
14	M412534	Relay	Non-EU models
15	70131801P	Timer	15 minute; Cooling; 60 Hertz
	M412079P	Timer	15 minute; Cooling; 50 Hertz

# OPL Microprocessor Controls



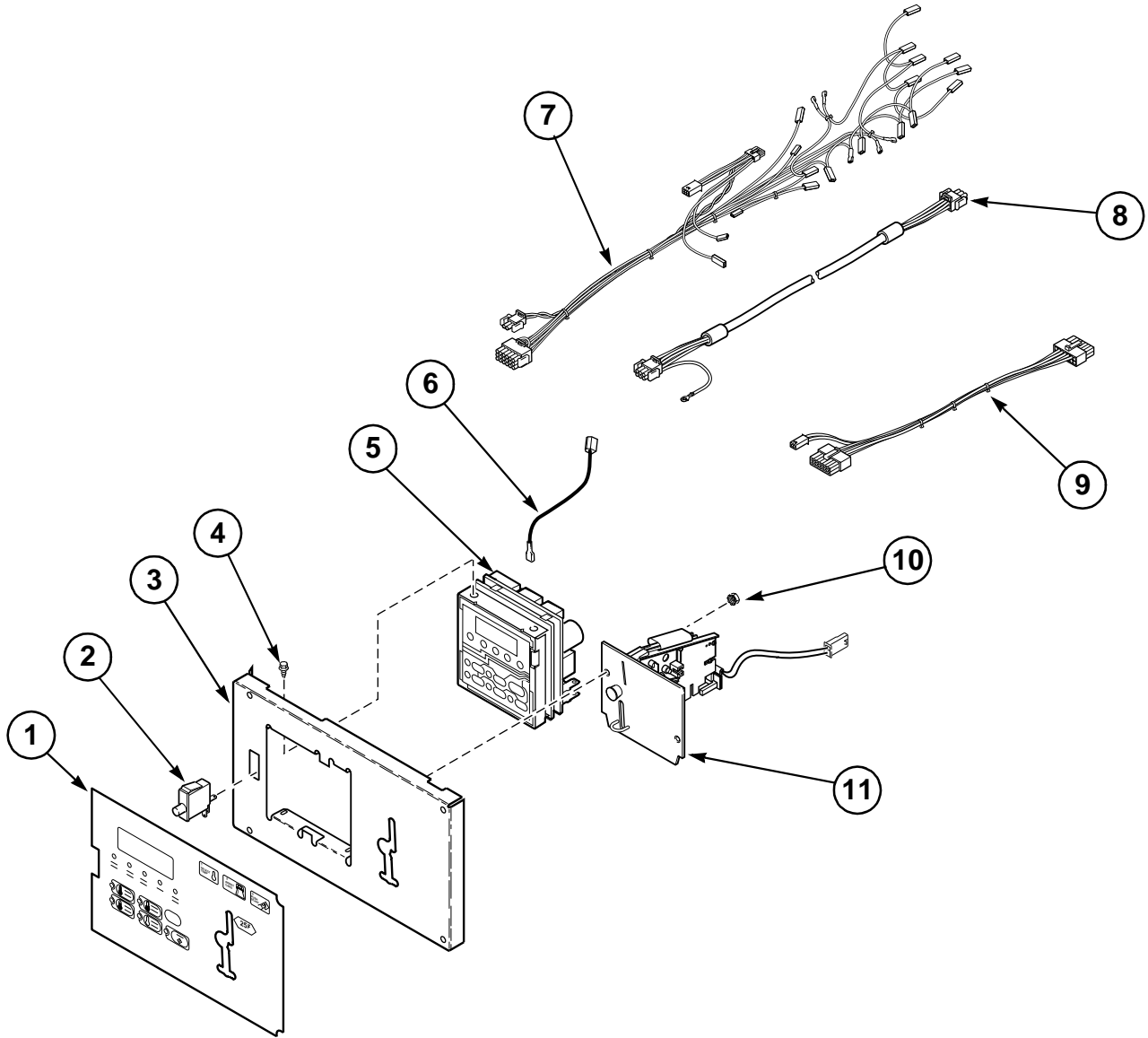
TMB1367P

## OPL Microprocessor Controls

REF	PART #	DESCRIPTION	COMMENTS
	44013601	Control Assembly	No overlay or control panel harness
<b>1</b>	70228401P	Control	With tape
<b>2</b>	M414103	Fuse	
<b>3</b>	M412645	Ground Wire	
<b>4</b>	44016701	Control Panel Harness	Non-EU models; Nonreversing
	44016702	Control Panel Harness	Non-EU models; Reversing
	44017001	Control Panel Harness	EU models; Nonreversing
	44017002	Control Panel Harness	EU models; Reversing
<b>5</b>	70069901	Screw	2 required
<b>6</b>	70115801	Overlay	Models beginning with A, S or U; Nonreversing; Text and icon
	70128401	Overlay	Models beginning with A, S or U; Reversing; Text and icon
	70128601	Overlay	Models beginning with H; Reversing; Text and icon
	70128701	Overlay	Models beginning with H; Nonreversing; Text and icon
	70130301	Overlay	Models beginning with P; Nonreversing; Text and icon
	70130401	Overlay	Models beginning with A, G, S or U; Nonreversing; Icon only
	70130501	Overlay	Models beginning with A, G, S or U; Reversing; Icon only
	70130601	Overlay	Models beginning with H; Nonreversing; Icon only
	70130701	Overlay	Models beginning with H; Reversing; Icon only
	70135301	Overlay	Models beginning with P; Reversing; Text and icon
<b>7</b>	44013701	Mounting Assembly	
<b>8</b>	70054	Nut	4 required

# Coin Drop

(NetMaster Models)



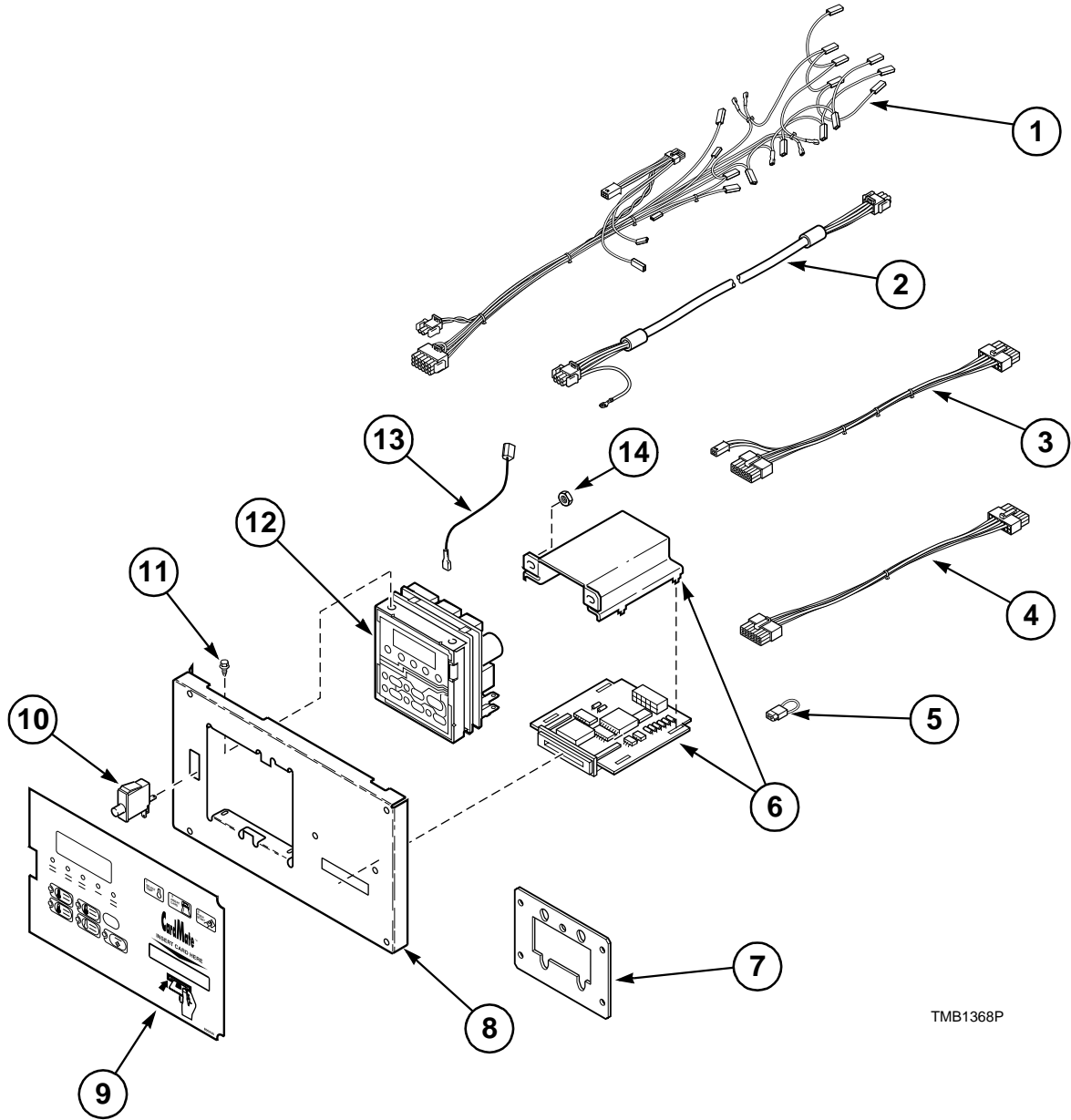
TMB1648P

# Coin Drop

(NetMaster Models)

REF	PART #	DESCRIPTION	COMMENTS
1	70184301	Electronic Control Overlay	Models beginning with S; Single drop
	70184302	Electronic Control Overlay	Models beginning with S; Dual drop
	70239601	Electronic Control Overlay	Models beginning with H; Single drop
	70239602	Electronic Control Overlay	Models beginning with H; Dual drop
2	70107001	Switch	Push button
3	70175807	Control Plate Assembly	Models with control suffix NC
4	501524	Screw	4 required; For mounting control
5	510034	Electronic Control	
6	M412645	Ground Wire	
7	44010801	Control Panel Harness	Non-EU models
	44010901	Control Panel Harness	EU models
8	M414875	Communication Cable	Models with control suffix ZC
9	800217	Network Harness Assembly	Models with control suffix ZC
10	70054	Nut	3 required
11	38479	Coin Drop	US .25/10
	38475	Coin Drop	Japan 100Yen
	38519	Coin Drop	Japan 100/500 Yen
	38467	Coin Drop	Australia .20/1.00
	39748	Coin Drop	Token Jeton; EU models; 50 Hertz
	210195	Coin Drop	Euro .50/1.0
	210196	Coin Drop	Euro .20/1.0
	70256401	Coin Drop	US .25/1.00

# NetMaster Card Reader

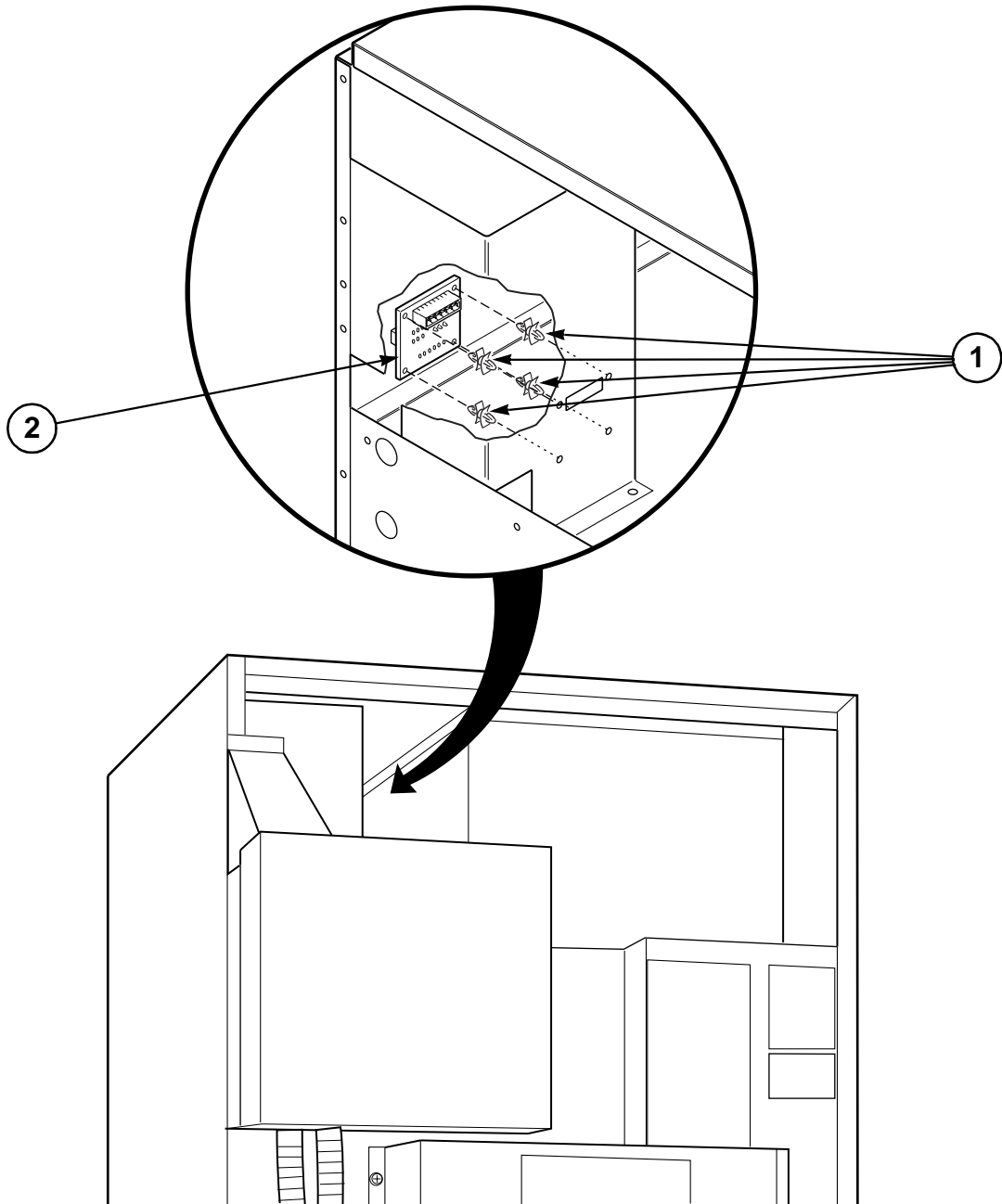


TMB1368P

# NetMaster Card Reader

REF	PART #	DESCRIPTION	COMMENTS
1	44010801	Control Panel Harness	Non-EU models
	44010901	Control Panel Harness	EU models
2	M414875	Communication Cable	Models with control suffix ZR
3	800217	Network Harness Assembly	Models with control suffix ZR
4	70206601	Card Reader/Network Harness	Models with control suffix ZR
	70211801	Card Reader Harness	Models with control suffix NR
5	M414874	Jumper-Bypass Wire	
6	510068	Card Reader and Bracket Assembly	Models with control suffix NR and ZR
7	70208801	Mounting Plate	Models with control suffix NY
8	70175808	Control Plate Assembly	Models with control suffix NR and ZR
	70175809	Control Plate Assembly	Models with control suffix NY
9	70184303	Overlay	Models beginning with S; Models with control suffix NY
	70184401	Overlay	Models beginning with S; Models with control suffix NR or ZR
	70239501	Overlay	Models beginning with H; Models with control suffix NR or ZR
	70239603	Overlay	Models beginning with H; Models with control suffix NY
10	70107001	Switch	
11	501524	Screw	4 required
12	505905P	NetMaster Control Assembly	
13	M412645	Ground Wire	
14	70054	Nut	2 required for models with control suffix NR or ZR; 4 required for models with control suffix NY

# NetMaster Network Connection



TMB1370K

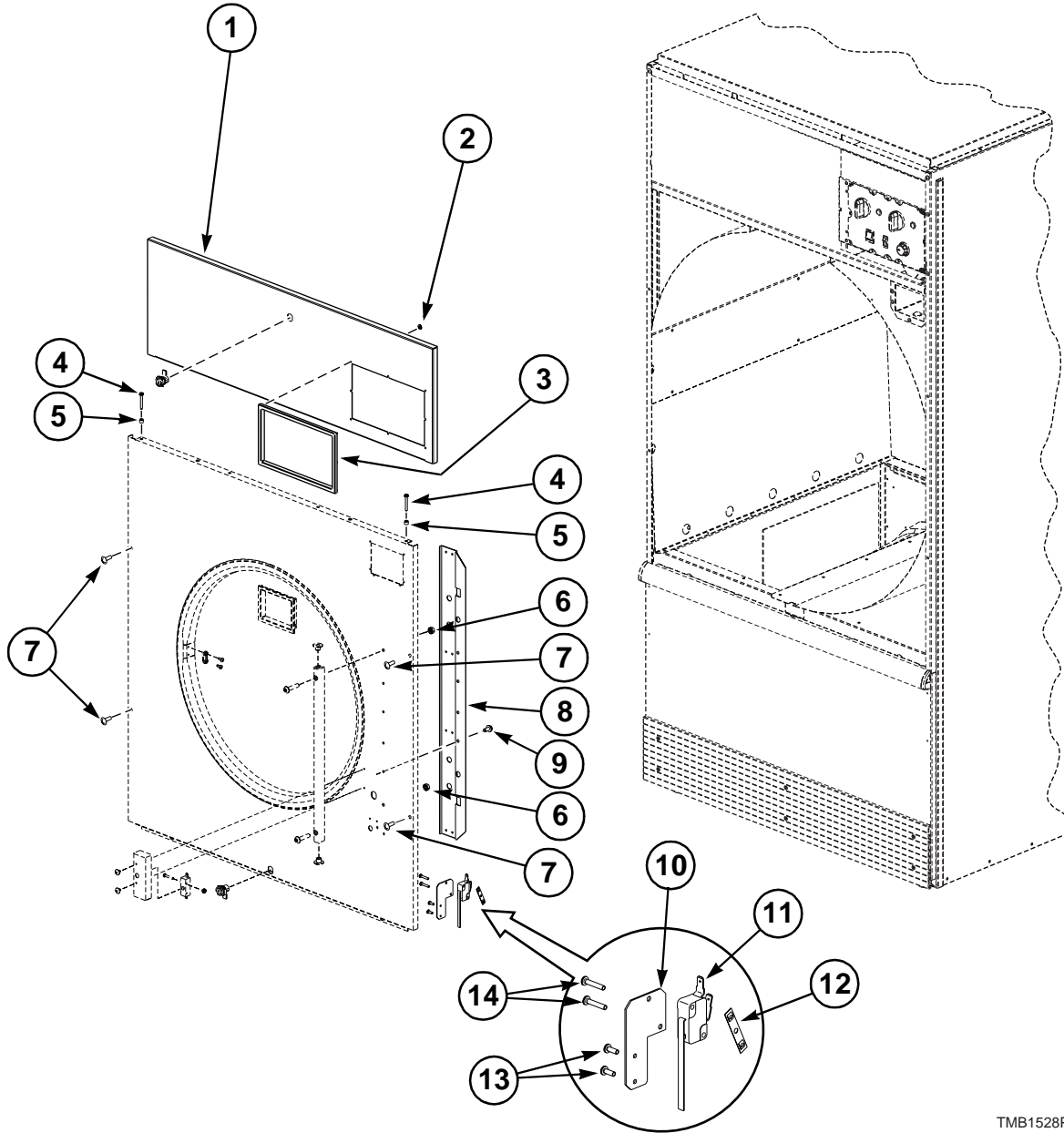


# NetMaster Network Connection

REF	PART #	DESCRIPTION	COMMENTS
1	210098	Standoffs	4 required
2	210095	Interface Board	

# Cabinet Front Components

Page 1 of 2



TMB1528P

# Cabinet Front Components

Page 1 of 2

REF	PART #	DESCRIPTION	COMMENTS
	44006901	Front Panel Harness	All Non-EU models; EU models with control suffix NMC**
	44023701	Front Panel Harness, Coin	EU models; Models with control suffixes CD and CX
	44007001	Front Panel Harness, Non-Coin	EU models; Models with control suffixes MT, OM, RM and RT
	44023001	Coin Vault Switch Harness	Models with control suffixes NC, NX, ZC and ZX
	M400984	Clip	4 required for Item 7 (on page 27) application
	M400972	Shadow Box Clip	6 required for Item 10 (on page 27) application
	M411072	Screw	6 required; Front panel attach
	70030501	Expansion Clip	Upper and lower front panel attachment
<b>1</b>	44000117*	Control Panel	Models beginning with A, H, P, S and U
	44000118	Control Panel	Models beginning with A, H, P, S and U; Stainless steel
	44000119*	Control Panel	Models beginning with G
	44000120	Control Panel	Models beginning with G; Stainless steel
	44000117BLK	Control Panel	Models beginning with L
<b>2</b>	M400977	Nut	8 required
<b>3</b>	44016401	Control Trim	Models beginning with A, G, N, P, S and U
	44016301	Control Trim	Models beginning with H
<b>4</b>	39733	Screw	
<b>5</b>	56079	Panel Locator	
<b>6</b>	29786	Nut	
<b>7</b>	M402585	Screw	
<b>8</b>	44001801	Door Switch Wire Channel	
<b>9</b>	44023301	Screw	
<b>10</b>	44011501	Lint Panel Switch Bracket	
<b>11</b>	44011601	Lint Panel Switch	
<b>12</b>	M400979	Twin Speed Nut	
<b>13</b>	51782	Screw	
<b>14</b>	M401938	Screw	

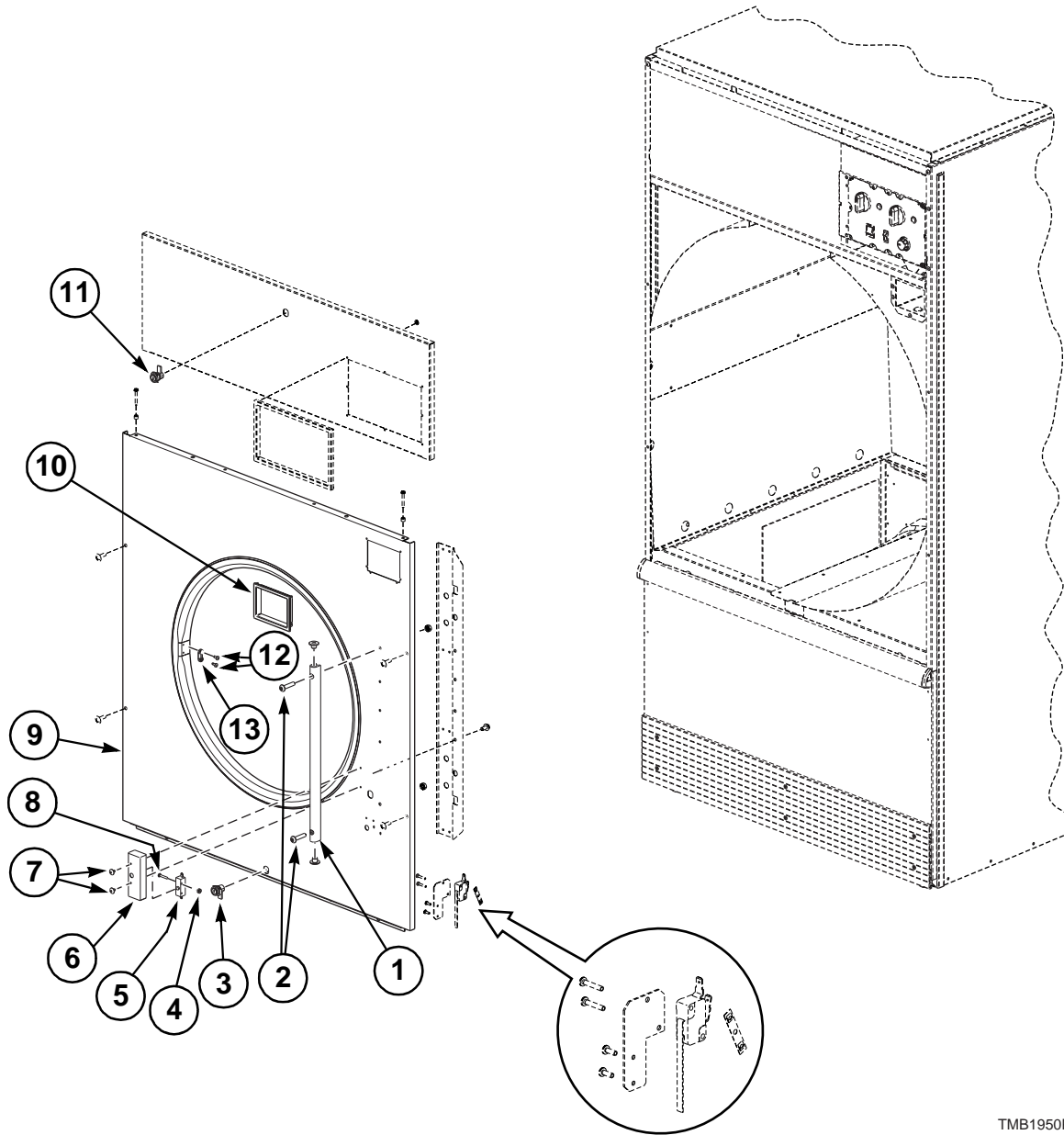
\* Add letter to designate color:

L - Almond      W - White      P - Turquoise

\*\* NMC = NC, NR, NX, NY, ZC, ZR, ZX and ZY

# Cabinet Front Components

Page 2 of 2



TMB1950P

# Cabinet Front Components

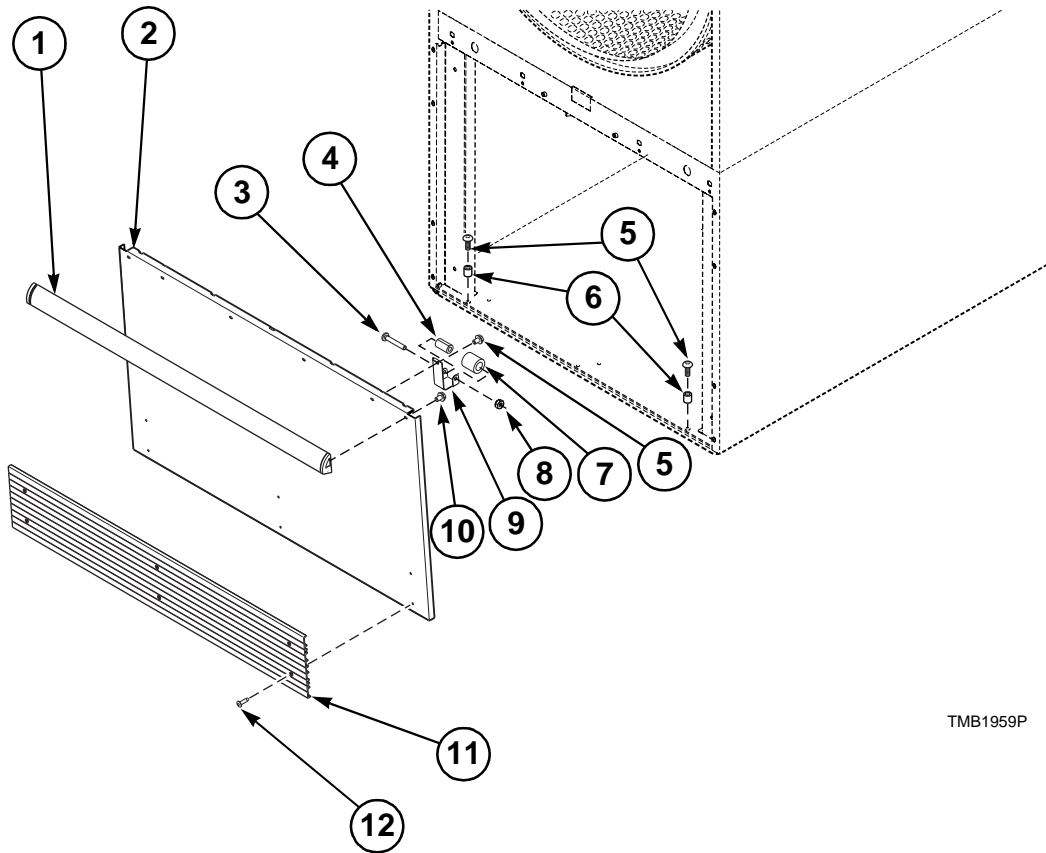
Page 2 of 2

REF	PART #	DESCRIPTION	COMMENTS
1	44035001	Lug Hinge Assembly	Includes flanged bushings part number 70071101
2	70033504	Screw	
3	70155501	Lock, Lint Panel	RL001; Coin and card models; Key part number 70155601
	70155502	Lock, Lint Panel	RL02; Standard coin and card models; Key part number 70155602
4	02788	Nut	
5	44018201	Switch	Door
6	44001301	Door Switch Cover	
7	431287	Screw	
8	M402574	Screw	
9	44000205*	Front Panel, OPL	Non-Coin; Non-EU models; Models with control suffixes MT, OM, RM and RT
	44000206	Front Panel, OPL	Non-Coin; Non-EU models; Models with control suffixes MT, OM, RM and RT; Stainless steel
	44000201*	Front Panel, Coin	Coin/Card; Models with control suffixes CD, CX, NC, NX, ZC and ZX
	44000202	Front Panel, Coin	Coin/Card; Stainless steel; Models with control suffixes CD, CX, NC, NX, ZC and ZX
	44000203*	Front Panel, Card	Card ready; Models with control suffixes CY, NR, NY, ZR and ZY
	44000204	Front Panel, Card	Card ready; Stainless steel; Models with control suffixes CY, NR, NY, ZR and ZY
	44000211*	Front Panel	Non-Coin; EU models; Models with control suffixes MT, OM, RM and RT
	44000212	Front Panel	Non-Coin; EU models; Stainless steel; Models with control suffixes MT, OM, RM and RT
10	70117501	Coin Vault Trim	Models beginning with H
	70117502	Coin Vault Trim	Models beginning with L, P and S
11	70155501	Lock, Control	RL001
12	M400003	Pop-Dome Rivet	
13	M401223	Door Latch	

\* Add letter to designate color:

L - Almond      W - White      P - Turquoise

# Lower Cabinet Front Components



TMB1959P

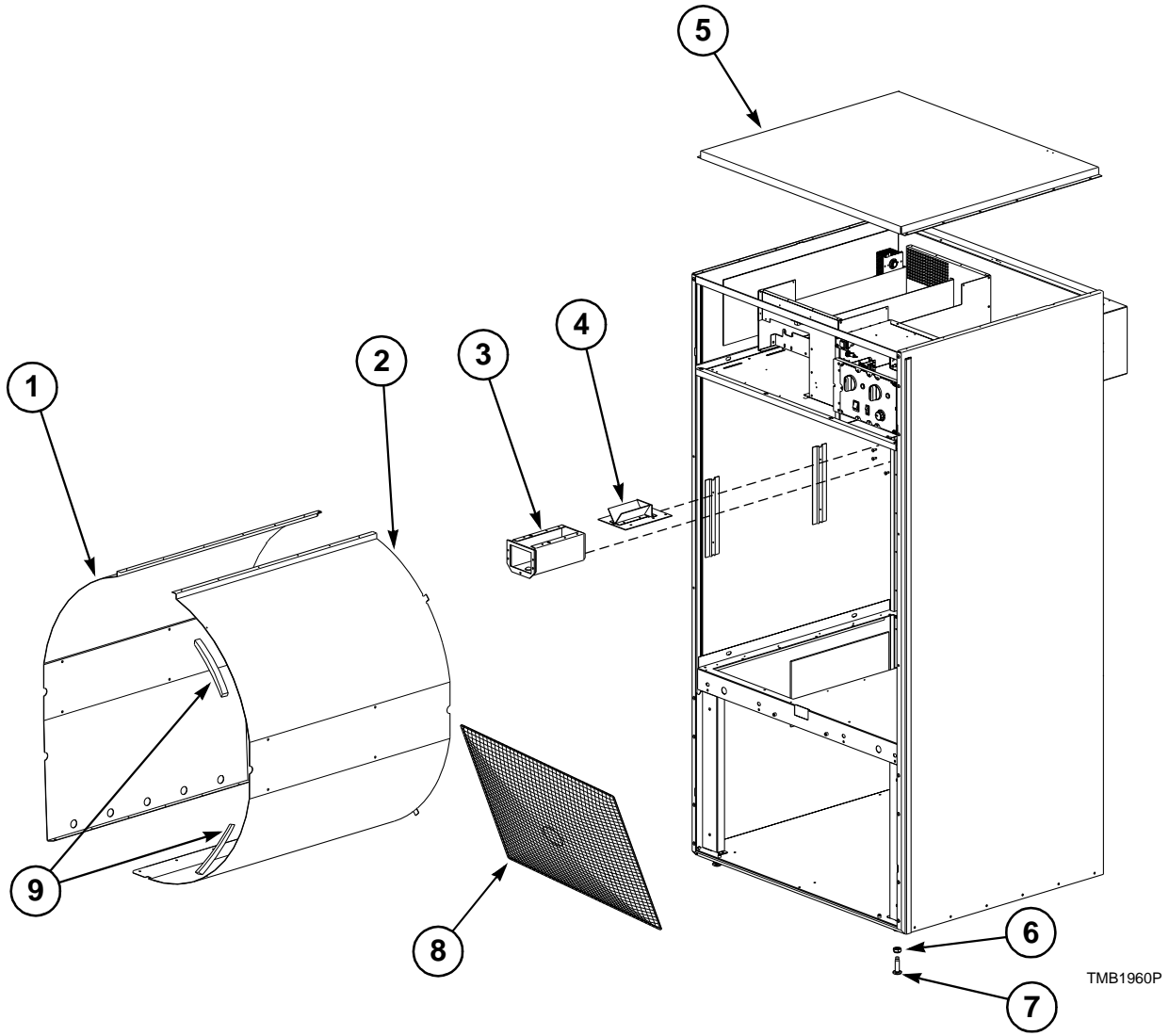
## Lower Cabinet Front Components

REF	PART #	DESCRIPTION	COMMENTS
1	70154405	Bumper Assembly	Black; Includes endcaps; Models beginning with A, L, P, S and U
	70154406	Bumper Assembly	Gray; Includes endcaps; Models beginning with G and H
2	44000001*	Lint Panel	
	44000002	Lint Panel	Stainless steel
3	70072801	Screw	
4	70030201	Spacer	
5	39733	Screw	
6	56079	Panel Locator	
7	70030101	Wheel	
8	23951	Nut	
9	70030301	Arm	
10	70113001	Screw	4 required
11	70117607	Kickplate	Black; Models beginning with A, L, P, S and U
	70117608	Kickplate	Dark gray; Models beginning with G and H
12	70126301	Pop Rivet	6 required; Models beginning with A, L, P, S and U
	70126401	Pop Rivet	6 required; Models beginning with G and H

\* Add letter to designate color:

L - Almond      W - White      P - Turquoise

# Cabinet Components

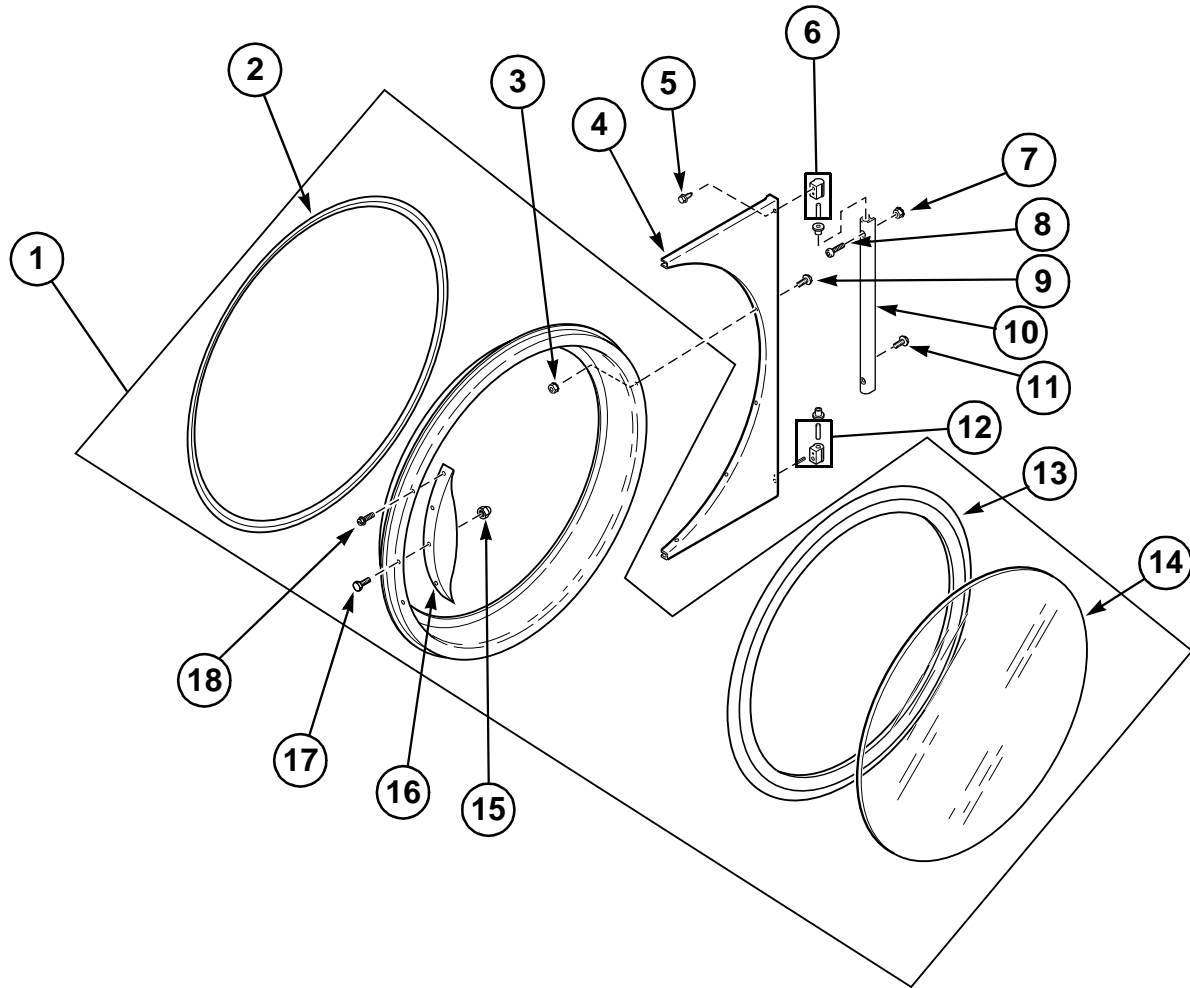




# Cabinet Components

REF	PART #	DESCRIPTION	COMMENTS
1	44005301	Baffle	Left
2	44005001	Baffle	Right
3	70180101	Coin Vault Assembly	
4	70243701	Coin Shute Assembly	
5	M414676	Top Cover	Non-Steam models
	M414760	Top Cover	Steam models
6	21899	Nut	
7	70247701	Screw	Leveling leg
8	44020701	Lint Screen	
9	70015701	Baffle Gasket	

# Door and Hinge Components



TMB1539P

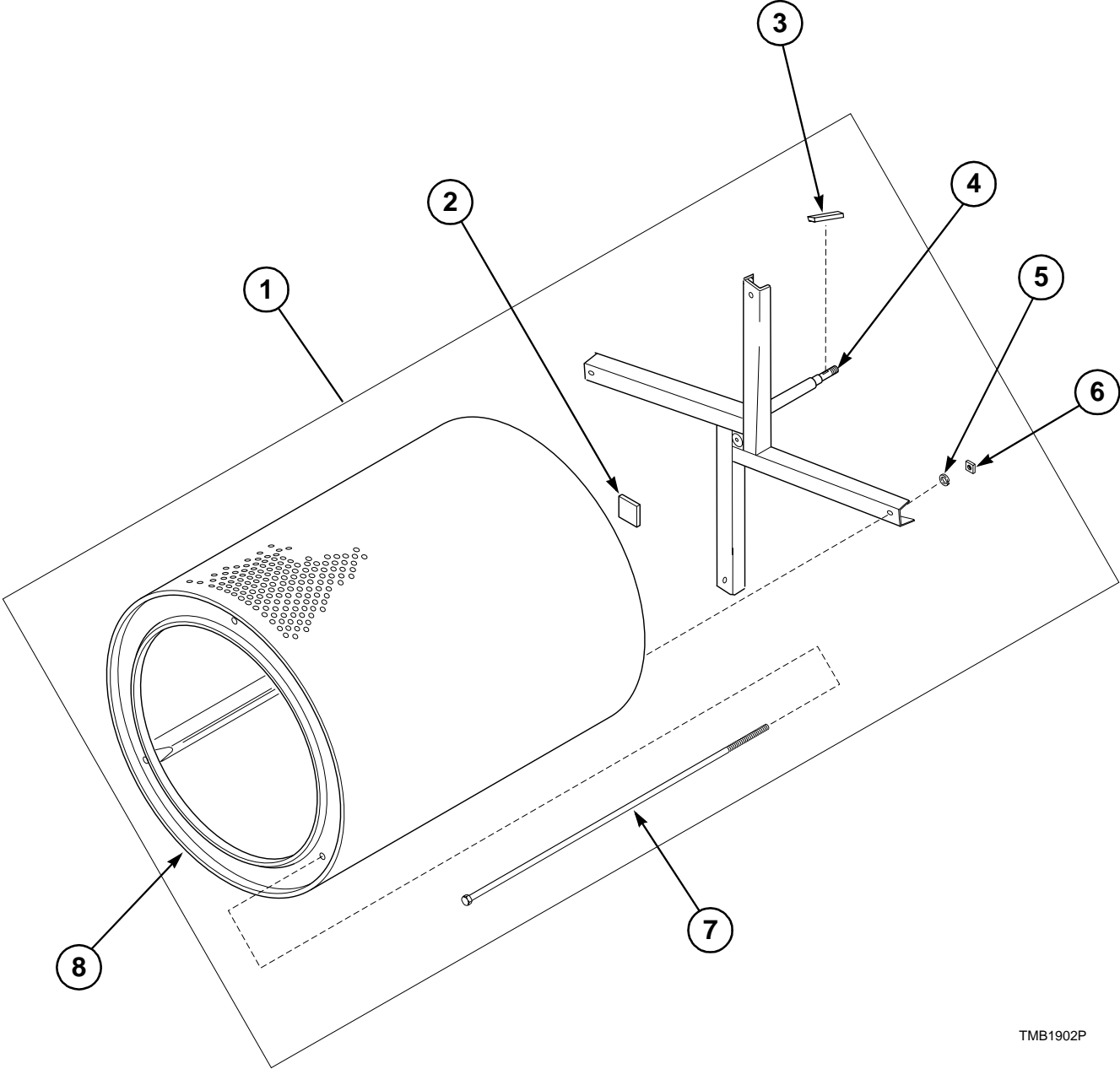
## Door and Hinge Components

REF	PART #	DESCRIPTION	COMMENTS
1	70176501	Door Assembly	Models beginning with S or U; Excludes hinge
	70176502	Door Assembly	Models beginning with H; Excludes hinge
	70176503	Door Assembly	Models beginning with L or U; Excludes hinge
	70176504	Door Assembly	Models beginning with A, G or P; Excludes hinge
2	70211601	Door Ring Gasket	Notched
3	23951	Nut	6 required
4	70115901*	Door Hinge	
	70115902	Door Hinge	Stainless steel
5	61199	Screw	3 required, 2 in top cam and 1 in bottom cam
6	44035101	Door Hinge Cam Assembly	Upper
7	29786	Nut	2 required
8	70033504	Screw	2 required
9	M400044	Screw	6 required
10	44035001	Hinge Lug	Includes bushings
11	44023301	Screw	4 required
12	44035201	Door Hinge Cam Assembly	Lower
13	70211901	Door Glass Seal	
14	70133601	Door Glass	Models beginning with H
	M400784	Door Glass	All models not beginning with H
15	M414215	Acorn Nut	
16	430117	Door Handle	Models beginning with L
	70133501	Door Handle	Models beginning with H
	70024801	Door Handle	Models beginning with S or U
	M400133	Door Handle	Models beginning with A, G or P
17	M400661	Door Strike Screw	
18	430756	Screw	2 required; Models beginning with L
	70113001	Screw	4 required; Models beginning with S or U
	M402585	Screw	1 required; Models beginning with L
	M409385	Screw	2 required: Models beginning with A, G or P; 4 required: Models beginning with H

\* Add letter to designate color:

L - Almond      W - White      P - Turquoise

# Cylinder and Trunnion Assemblies

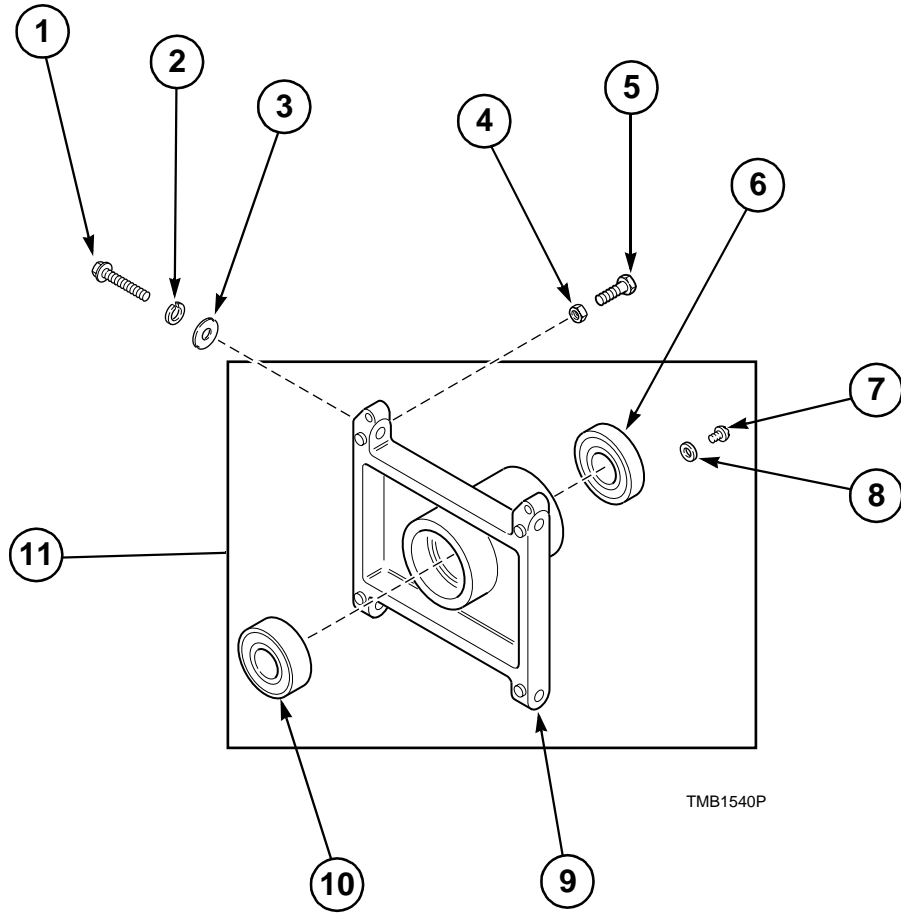


TMB1902P

## Cylinder and Trunnion Assemblies

REF	PART #	DESCRIPTION	COMMENTS
	M401402	Spacer	Adjustment between cylinder and trunnion
1	M406906	Cylinder and Trunnion Assembly	Nonreversing
	M409015	Cylinder and Trunnion Assembly	Nonreversing, Stainless steel
	M409090	Cylinder and Trunnion Assembly	Reversing
	M409091	Cylinder and Trunnion Assembly	Reversing, Stainless steel
2	M402144	Felt Pad	
3	M400008	Key	Half moon; Nonreversing
	M405232	Key	Straight; Reversing
4	M413835P	Trunnion	Nonreversing
	M413836	Trunnion	Reversing
5	M400015	Lockwasher	
6	M404993	Nut	
7	M404992	Rib Rod	
8	M401985	Cylinder Assembly	
	M402517	Cylinder Assembly	Stainless steel

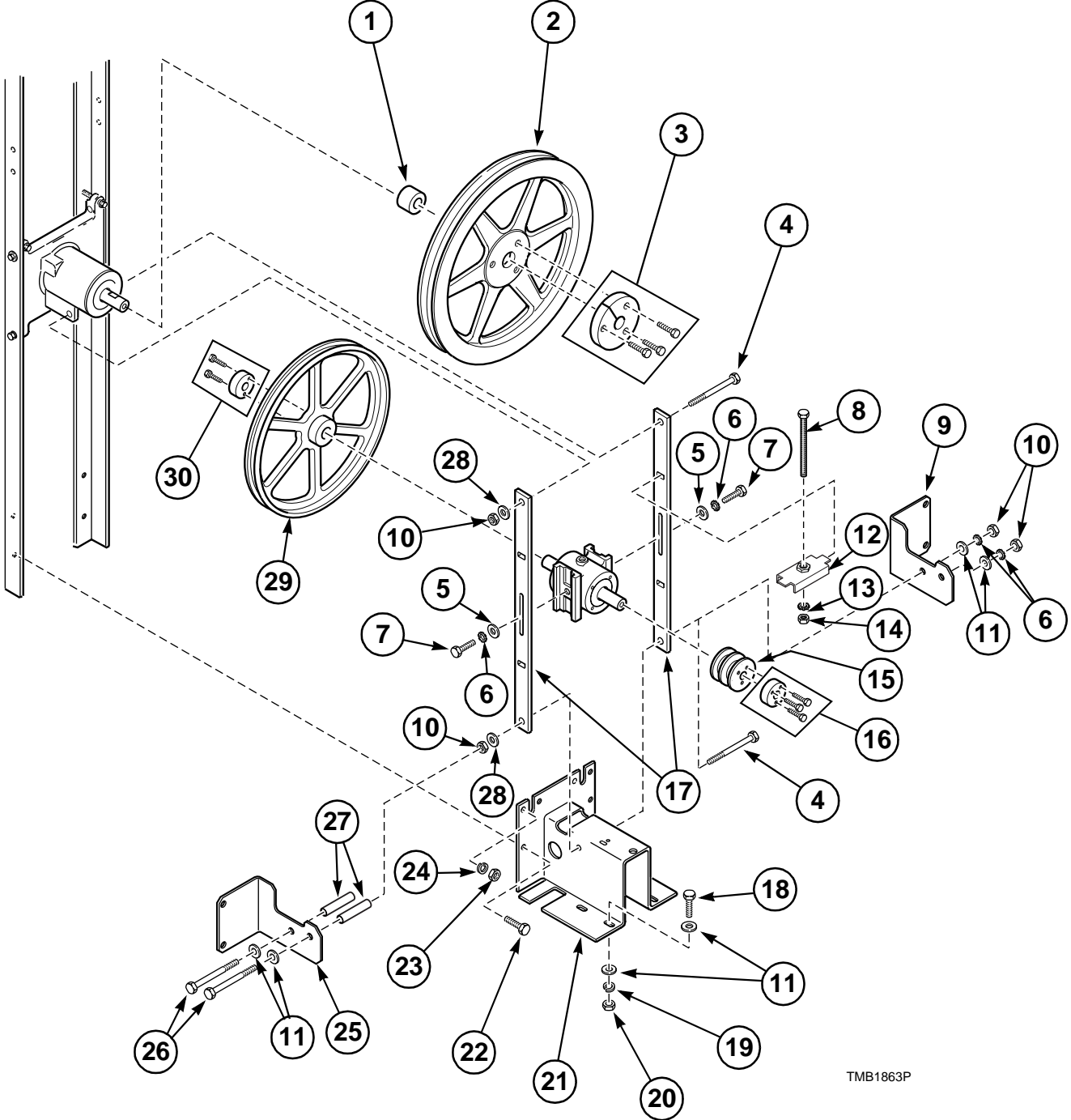
# Trunnion Housing



# Trunnion Housing

REF	PART #	DESCRIPTION	COMMENTS
1	M400063	Screw	4 required
2	M400015	Lockwasher	4 required
3	Q6712	Washer	4 required
4	M400026	Nut	2 required
5	M400650	Bolt	2 required
6	M413923	Ball Bearing	
7	70187201	Screw	4 required
8	20103	Washer	4 required
9	M413826	Trunnion Housing	
10	800466	Ball Bearing	
11	M413832	Trunnion Housing Assembly	

# Drive Components For Reversing Models



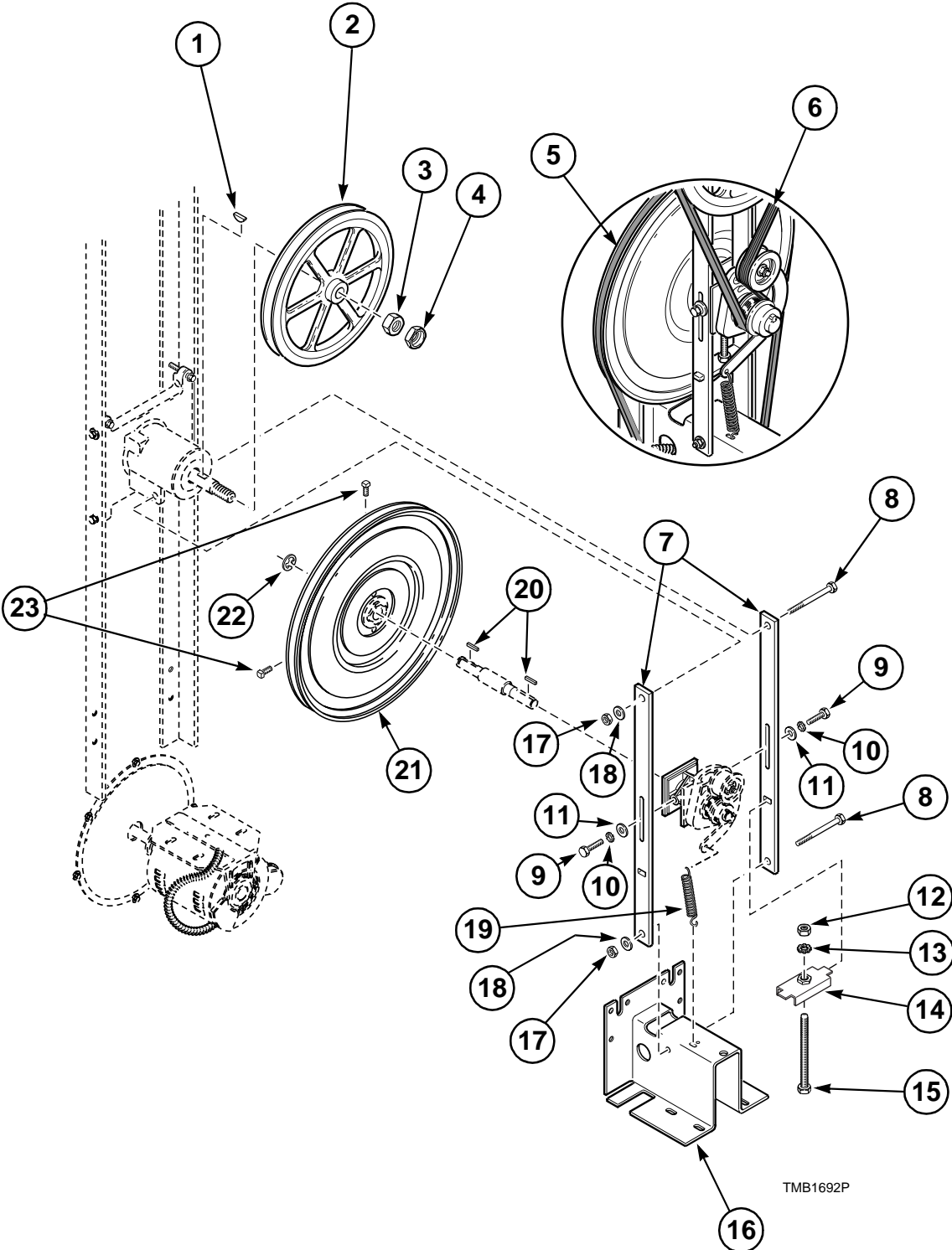
TMB1863P



## Drive Components For Reversing Models

REF	PART #	DESCRIPTION	COMMENTS
	M413617	Motor Mount Assembly	
	M412981	Belt	Drive
	M412090	Belt	2 required; Cylinder
	M413627	Belt Guard Assembly	Main
	M413541	Belt Guard	Upper
	M413008	Belt Guard	Lower
1	44024001	Spacer	
2	M412916	Pulley	Double V cylinder sheave
3	M412086	Bushing	Includes hardware
4	M400061	Screw	
5	M400080	Washer	2 required
6	M403958	Lockwasher	2 required
7	M400043	Screw	
8	M412627	Screw	
9	M413268	Bracket	Right; F75 models
10	M400026	Nut	2 required
11	M400080	Washer	8 required
12	M414405	Tension Plate Assembly	
13	M412188	Lockwasher	
14	H88412101	Nut	
15	M412884	Pulley	
16	M412917	Bushing	Includes hardware
17	M412476	Idler Housing Guide Rail	
18	M400057	Screw	F75 models refer to page 49
19	M400013	Lockwasher	4 required; F75 models refer to page 49
20	02428	Nut	4 required; F75 models refer to page 49
21	M411483	Motor Bracket	075 models; F75 models refer to page 49
22	M401393	Bolt	2 required; F75 models refer to page 49
23	20274	Nut	F75 models refer to page 49
24	M400014	Lockwasher	F75 models refer to page 49
25	M413267	Bracket	Left; F75 models
26	M405525	Screw	F75 models
27	M413269	Spacer	F75 models
28	M400014	Lockwasher	2 required
29	M412931	Pulley	Single V
30	M412885	Bushing	Includes hardware

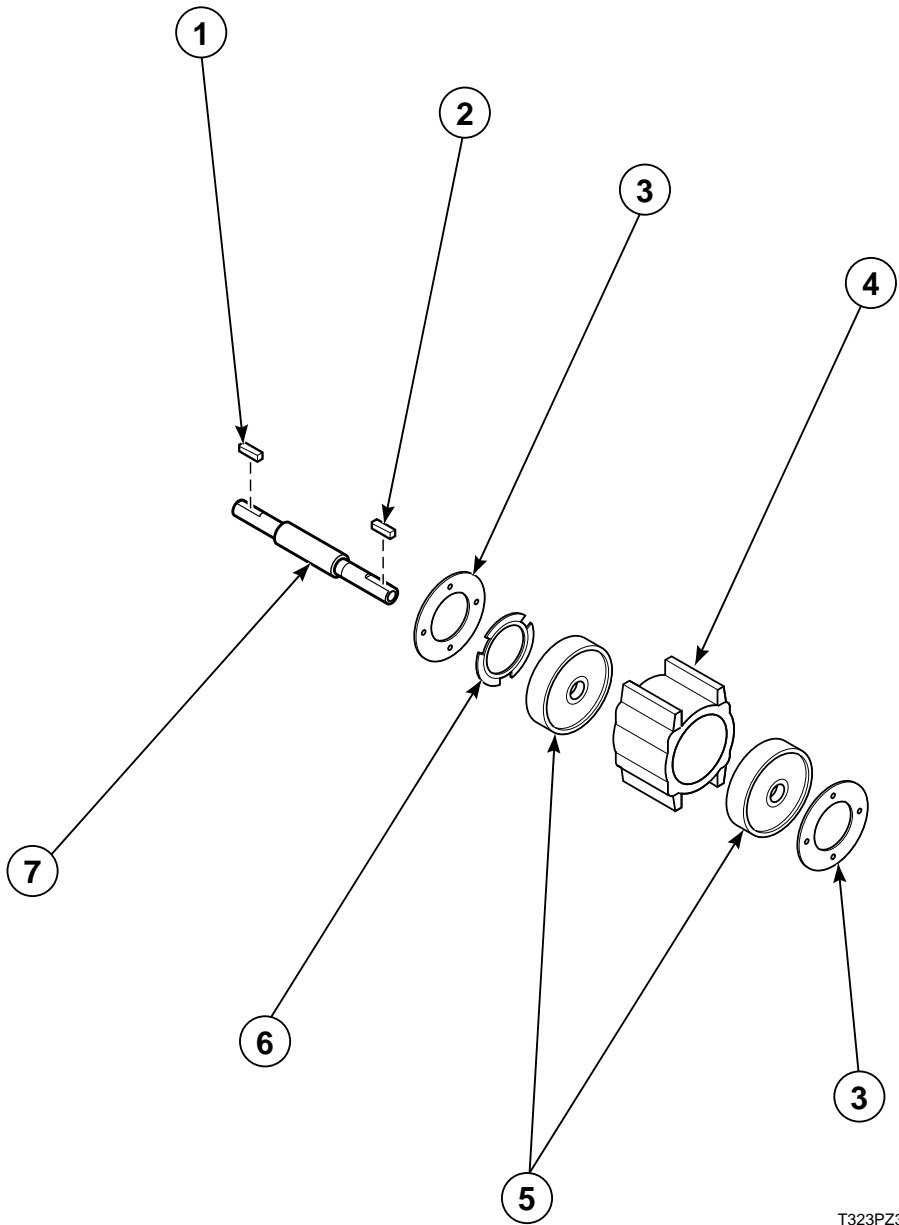
# Idler Drive Components for Nonreversing Models



## Idler Drive Components for Nonreversing Models

REF	PART #	DESCRIPTION	COMMENTS
	M411467	Belt Guard Assembly	Not shown
1	M400008	Key	
2	M412156	Micro V Sheave	
3	M400033	Jam Nut	
4	M400035	Lock Nut	
5	M401182	Belt	
6	M411425	Micro V Belt	
7	M412476	Guide Rail	
8	M400061	Screw	
9	M400043	Screw	
10	M403958	Lockwasher	
11	M400080	Washer	
12	H88412101	Nut	
13	M412188	Lockwasher	
14	M414405	Tension Plate Assembly	
15	M412627	Screw	
16	M411483	Motor Bracket	
17	M400026	Nut	
18	M400014	Lockwasher	
19	M412120	Extension Spring	
20	M401327	Key	
21	M400092P	Sheave	Includes items 20 and (2) of 23
22	M400399	Ring	
23	M400065	Setscrew	

# Idler Housing Assembly for Reversing Models

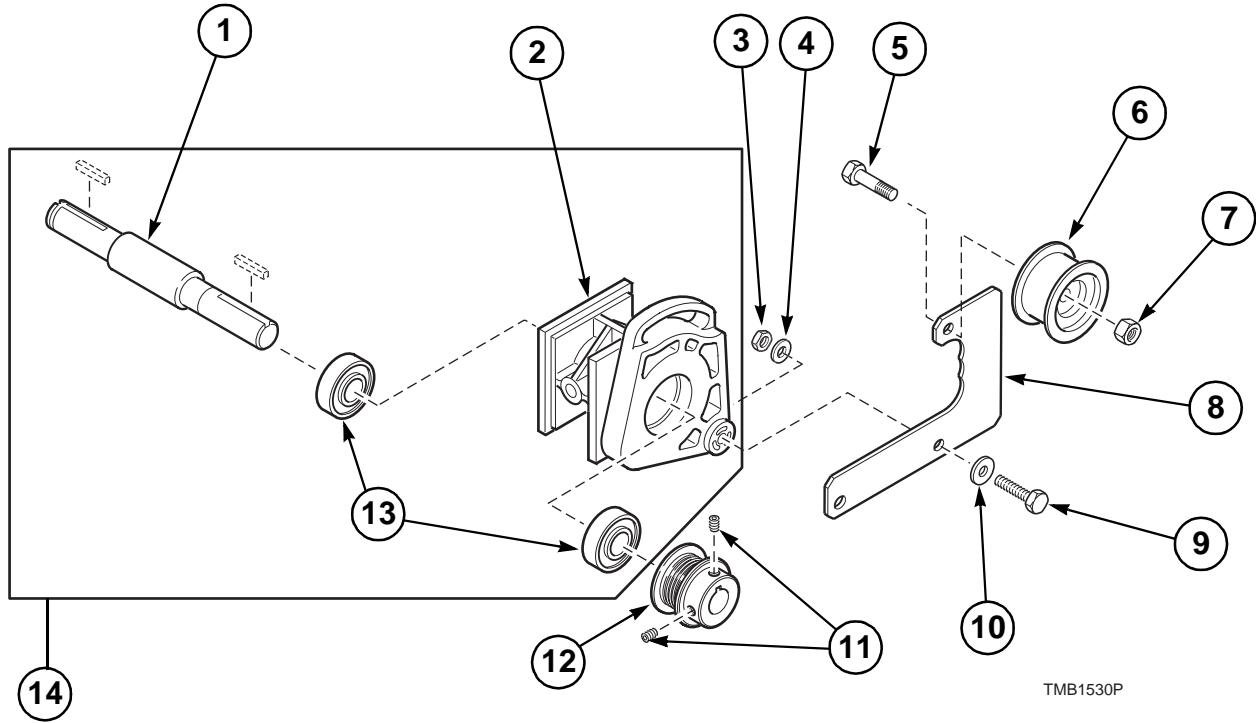


T323PZ3C

## Idler Housing Assembly for Reversing Models

REF	PART #	DESCRIPTION	COMMENTS
	70187201	Screw	Not shown; 8 required; Used on bearing retainer
	M412630P	Idler Housing Kit	
1	M401327	Key	
2	M400993	Key	
3	M401370	Bearing Retainer	
4	M412612	Idler Housing	
5	M401375	Ball Bearing	
6	M400401	Loading Spring	
7	M414241	Idler Shaft	

# Idler Housing Assembly For Nonreversing Models

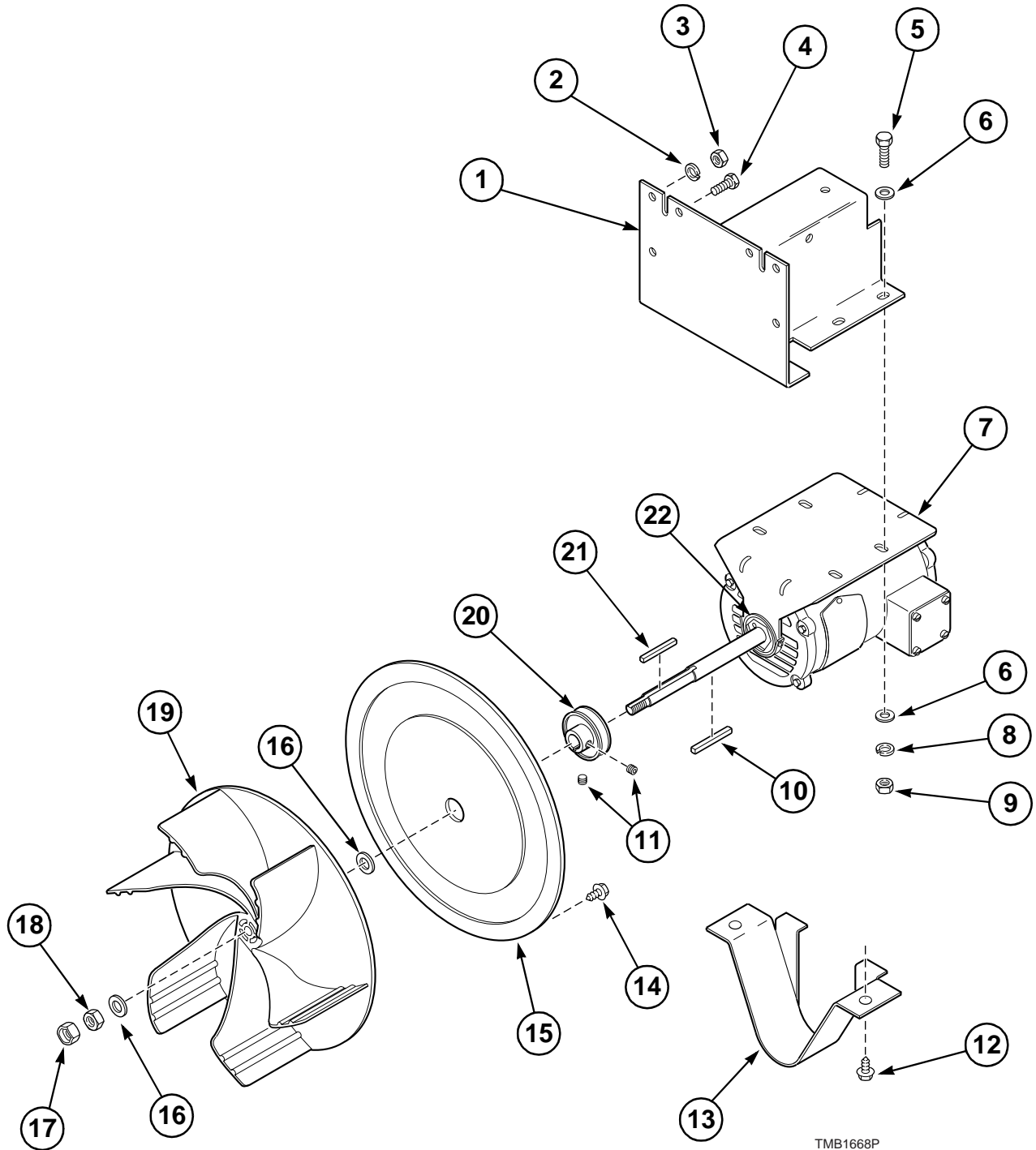


TMB1530P

## Idler Housing Assembly For Nonreversing Models

REF	PART #	DESCRIPTION	COMMENTS
1	M412223	Idler Shaft	
2	M412103	Idler Housing	
3	52566	Nut	
4	M405535	Washer	
5	430648	Screw	
6	430619	Idler Wheel	
7	56156	Nut	
8	M414320	Idler Arm	
9	M412119	Bolt	
10	430782	Washer	
11	M400077	Setscrew	
12	M411466	Micro V Pulley	
13	430038	Bearing	
14	M412228	Idler Housing Assembly	

# Fan and Motor Components



TMB1668P

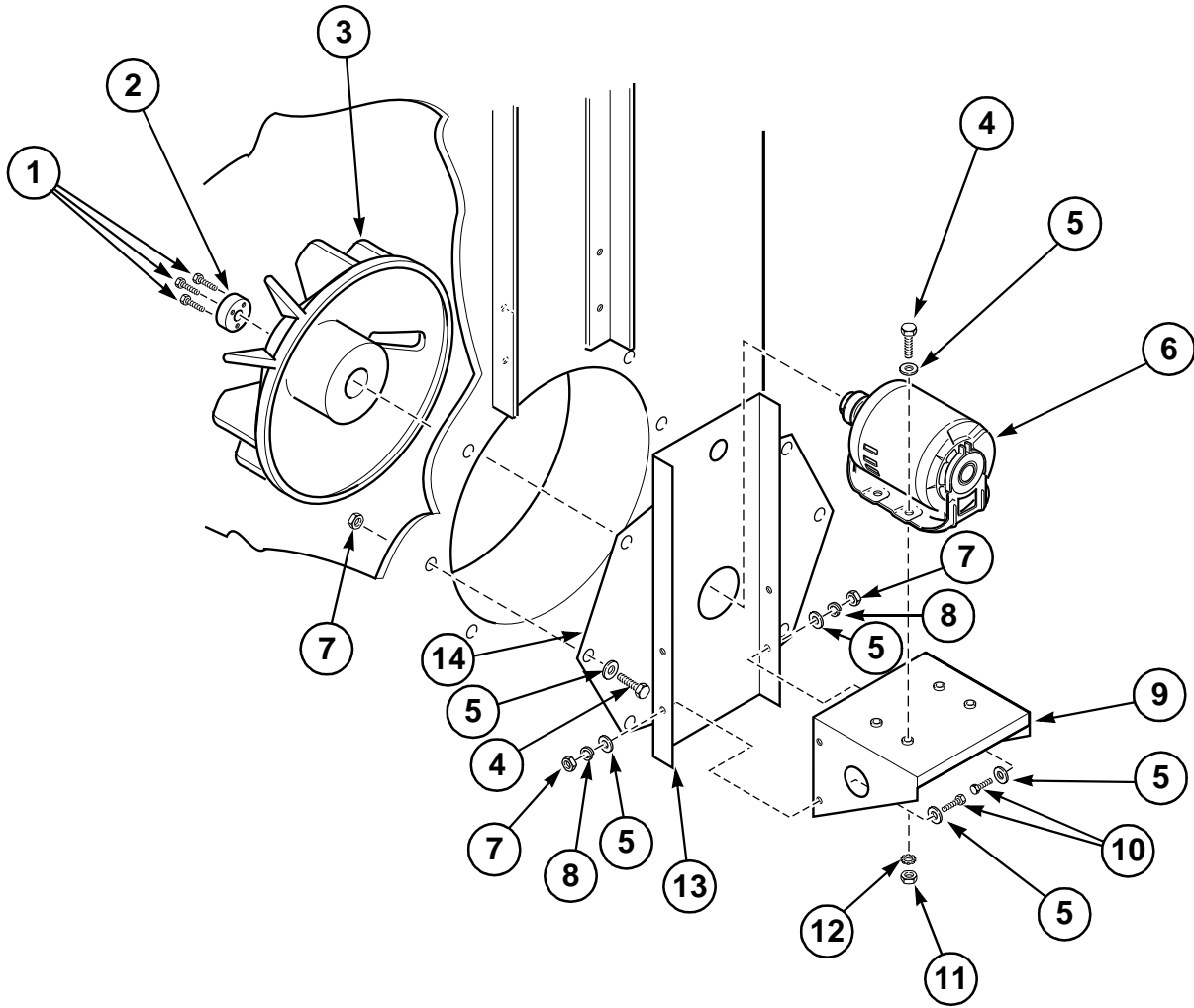


# Fan and Motor Components

REF	PART #	DESCRIPTION	COMMENTS
	M4426P3	Motor Hardware Kit	Includes items 2, 4, 15, 21, 22
	M413281	Fan Motor Harness	EU models; 1 Phase
	M412574	Fan Motor Harness	EU models; 3 Phase
	44006101	Fan Motor Harness	Non-EU models; 2 wire; 120 Volt/60 Hertz/1 Phase and 230-240/240 Volt/50 Hertz/1 Phase
	44006201	Fan Motor Harness	Non-EU models; 3 wire; Gas and steam: 208-240 Volt/60 Hertz/1 Phase; Electric: 200-208 Volt/60 Hertz/3 Phase, 240 Volt/60 Hertz/3 Phase and 240 Volt/50 Hertz/3 Phase
	M413686	Fan Motor Harness	Non-EU models; Gas and steam: 200 Volt/50 Hertz/3 Phase, 380 Volt/50 Hertz/3 Phase Electric: 480 Volt/60 Hertz/3 Phase
<b>1</b>	M411483	Motor Mounting Bracket	
<b>2</b>	M400014	Lockwasher	
<b>3</b>	20274	Nut	
<b>4</b>	M401393	Bolt	2 required
<b>5</b>	M400057	Screw	
<b>6</b>	M400080	Washer	
<b>7</b>		Fan Motor	Refer to Motor Usage Table on page 136
<b>8</b>	M400013	Lockwasher	
<b>9</b>	02428	Nut	
<b>10</b>	M400993	Key	Included in M4426P3 Motor Hardware Kit
<b>11</b>	M413008	Belt Guard	
<b>12</b>	M400077	Screw	Supplied with pulley
<b>13</b>	430497	Screw	
<b>14</b>	M410059	Screw	7 required
<b>15</b>	M401362	Fan Housing Cover	
<b>16</b>	M400991	Washer	Included in M4416P3 Motor Hardware Kit
<b>17</b>	M400034	Nut	Included in M4426P3 Motor Hardware Kit
<b>18</b>	M400022	Nut	Included in M4426P3 Motor Hardware Kit
<b>19</b>	M410088P	Fan	50 Hertz; Gas and steam 60 Hertz; Includes key
	M400086P	Fan	Electric 60 Hertz; Includes key
<b>20</b>	M414564	Motor Pulley	60 Hertz; Nonreversing
	M414566	Motor Pulley	50 Hertz; Nonreversing
<b>21</b>	M400994	Key	Included in M4426P3 Motor Hardware Kit
<b>22</b>	M4525P3	Motor Mounting Ring Kit	2 per package

# Fan and Motor Components

F75 Models



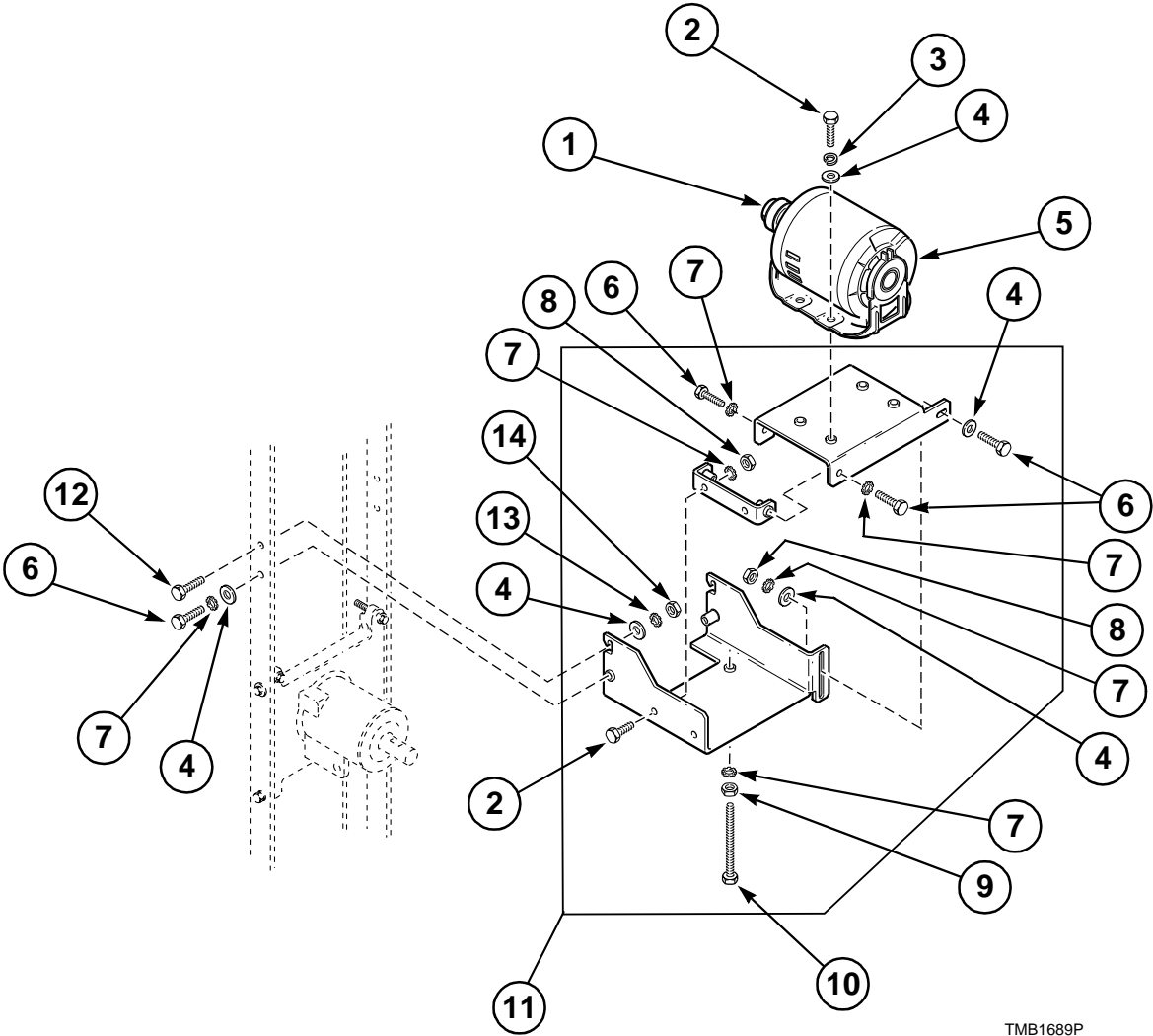
TMB1865P

# Fan and Motor Components

F75 Models

REF	PART #	DESCRIPTION	COMMENTS
	H8652006P	Key	
	M413686	Fan Motor Harness	
1	H8800901H	Screw	
2	H87529111	Bushing	
3	M414546	Assembly, Fan, Bushing and Screws	
4	M400057	Screw	
5	M400080	Washer	
6	M410860	Motor	
7	20274	Nut	
8	M400014	Lockwasher	4 required
9	M413391	Motor Mounting Bracket	
10	22688	Screw	4 required
11	02428	Nut	4 required
12	M400013	Lockwasher	4 required
13	M413392	Motor Base Channel	
14	M413391	Motor Base	

# Reversing Cylinder Drive Motor and Components



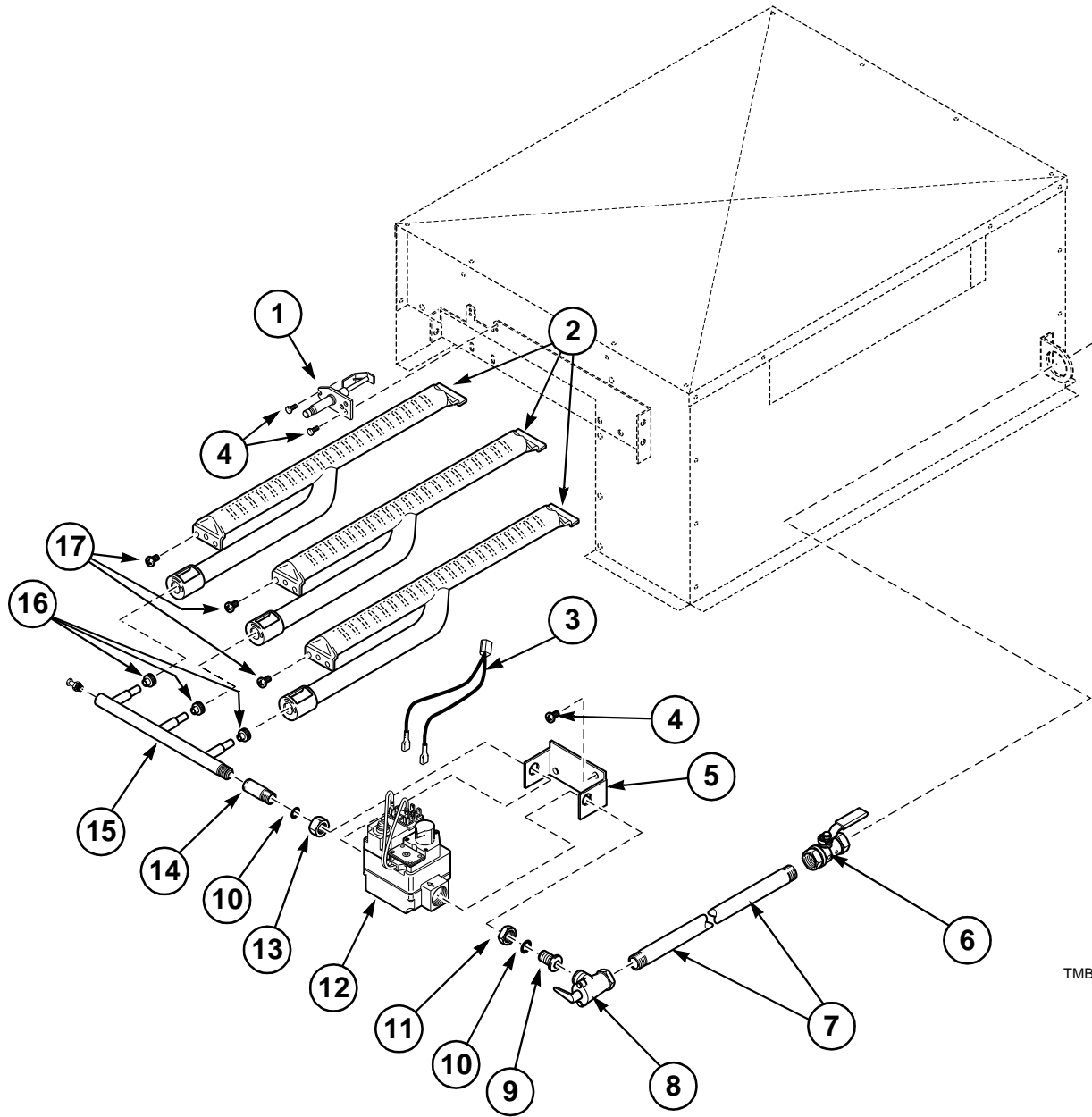
TMB1689P

## Reversing Cylinder Drive Motor and Components

REF	PART #	DESCRIPTION	COMMENTS
	M412745	Cylinder Motor Harness	EU models; 1 Phase
	M412573	Cylinder Motor Harness Assembly	EU models; 3 Phase
	M413687	Cylinder Motor Harness Assembly	Non-EU models; 1 Phase
	M413688	Cylinder Motor Harness Assembly	Non-EU models; 3 Phase
<b>1</b>	M414565	Pulley	60 Hertz
	M414567	Pulley	50 Hertz
<b>2</b>	M400057	Screw	6 required
<b>3</b>	M400013	Lockwasher	4 required
<b>4</b>	M400080	Washer	8 required
<b>5</b>		Cylinder Drive Motor	Refer to Motor Usage Table on page 136
<b>6</b>	M400056	Screw	5 required
<b>7</b>	02834	Lockwasher	8 required
<b>8</b>	70142	Nut	3 required
<b>9</b>	02428	Jam Nut	
<b>10</b>	M413565	Screw	
<b>11</b>	M413617	Motor Mount Assembly	Includes Items 2, 4, 6, 7, 8, 9, 10, 13 and 14
<b>12</b>	22688	Screw	2 required
<b>13</b>	M403958	Lockwasher	2 required
<b>14</b>	20274	Nut	2 required

# Gas Heater Components

075 Models



TMB1904P

# Gas Heater Components

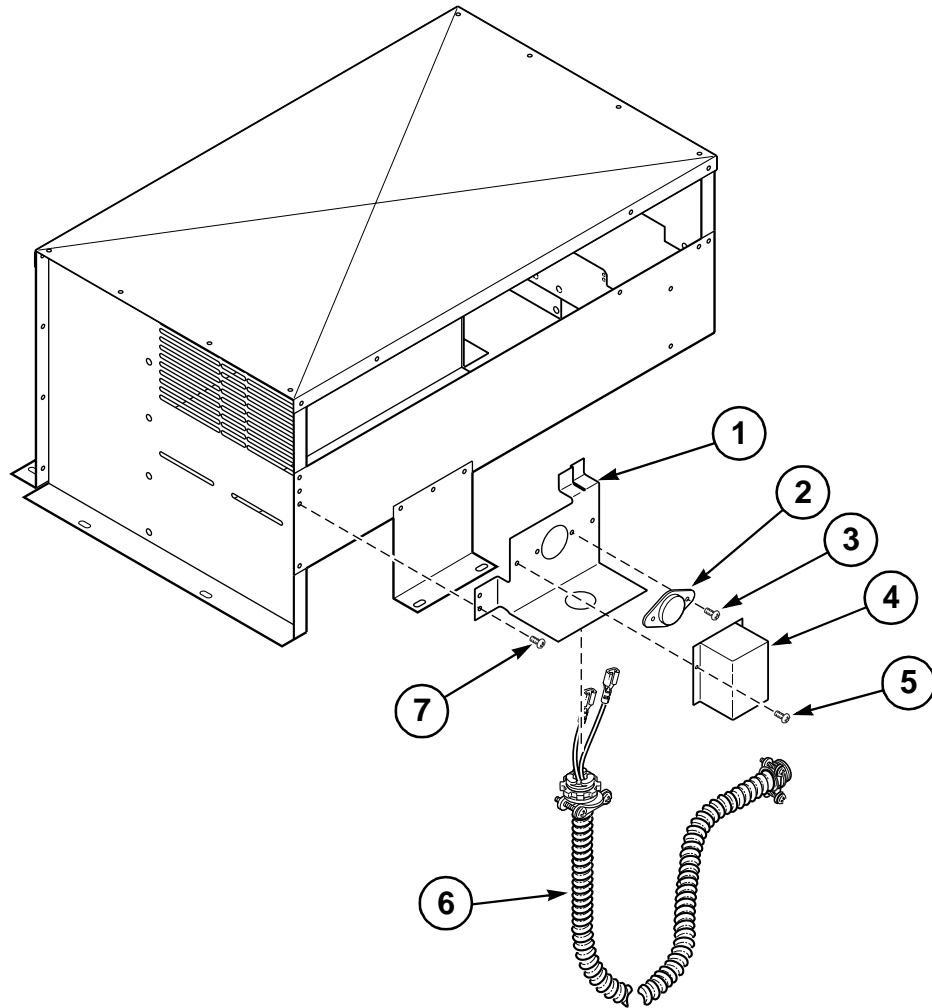
075 Models

REF	PART #	DESCRIPTION	COMMENTS
	44042901	Gas Valve Coil	60 Hertz; 24 Volt; Non-EU models; Non-Australian models
	M4542P3	L.P. Gas Conversion Kit	
1	M406934P	Spark Igniter	Non-Australian models
	M410905	Spark Igniter	Australian models
2	M410541	Burner	3 required
3	M412997	Gas Valve Harness	Non-EU and Non-Australian models
	M413650	Gas Valve Harness	EU and Australian models
4	430497	Screw	2 required
5	M406814	Gas Valve Bracket	
6	M412562	Ball Valve	EU models
7	M400749	Nipple	
8	M406455	Shutoff Valve	Non-EU models
	M413443	Gas Piping Elbow	EU models
9	M410793	Tailpiece	½ Male NPT
	M413349	Tailpiece	EU models
10	M400605	Anti-Torque Ring	Included with Item 8
11	M401549	Nut	Included with Item 8
12	M410907	Gas Valve	Natural Gas; Australia models
	M410908	Gas Valve	L.P. Gas; Australia models
	M413332	Gas Valve	Natural Gas; EU models
	M413333P	Gas Valve	L.P. Gas; EU models
	M413463	Gas Valve	L.P. Gas; Non-EU models; 50 Hertz
	M413464	Gas Valve	L.P. Gas; 60 Hertz
	M413467	Gas Valve	Natural Gas; Non-EU models; 50 Hertz
	M413468P	Gas Valve	Natural Gas; 60 Hertz
13	M401548	Nut	
14	M406681	Manifold Pipe	
	M413395	Manifold Pipe	EU models
15	M406810	Spud Holder	
16	M401011	*Burner Orifice, #44, 2.2 mm	L.P. Gas; 0-2000 feet; Non-EU models; 3 required
	M401027	*Burner Orifice, #45, 2.1 mm	L.P. Gas; 2001-4000 feet; Non-EU models; 3 required
	M401003	*Burner Orifice, #46, 2.1 mm	L.P. Gas; 4001-6000 feet; Non-EU models; 3 required
	M400999	*Burner Orifice, #47, 2.0 mm	L.P. Gas; 6001-8000 feet; Non-EU models; 3 required
	M401001	*Burner Orifice, #48, 1.9 mm	L.P. Gas; 8001-10000 feet; Non-EU models; 3 required
	M401014	*Burner Orifice, #28, 3.6 mm	Natural Gas; 0-2000 feet; Non-EU models; 3 required
	M400997	*Burner Orifice, #29, 3.4 mm	Natural Gas; 2001-4000 feet; Non-EU models; 3 required
	M401021	*Burner Orifice, #30, 3.3 mm	Natural Gas; 4001-6000 feet; Non-EU models; 3 required
	M401021	*Burner Orifice, #30, 3.3 mm	Natural Gas; 6001-8000 feet; Non-EU models; 3 required
	M401017	*Burner Orifice, #31, 3.0 mm	Natural Gas; 8001-10000 feet; Non-EU models; 3 required
17	70240301	Screw	6 required

**\*For EU gas and orifice information, refer to Install Manual, M414905**

# Gas Heater Components

Rear View



TMB1905P



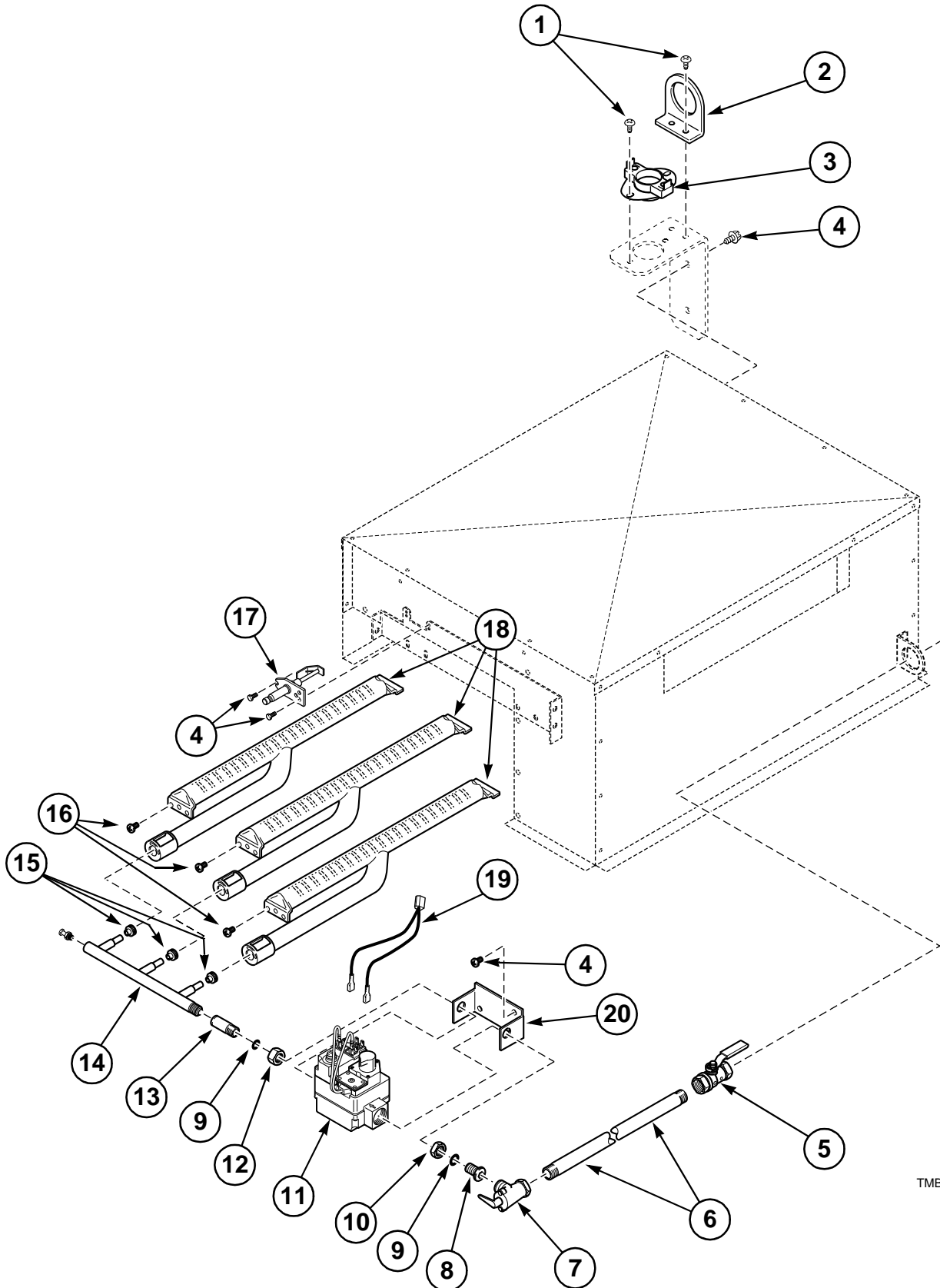
# Gas Heater Components

Rear View

REF	PART #	DESCRIPTION	COMMENTS
1	M406882	Thermostat Bracket	
2	M401404	Thermostat	Non-Australian models
	M411943	Thermostat	Australian models
3	M402797	Screw	2 required
4	M414477	Thermostat Cover	
5	M400664	Screw	2 required
6	M413691	Harness	
7	430497	Screw	

# Gas Heater Components

F75 Models



TMB1871P

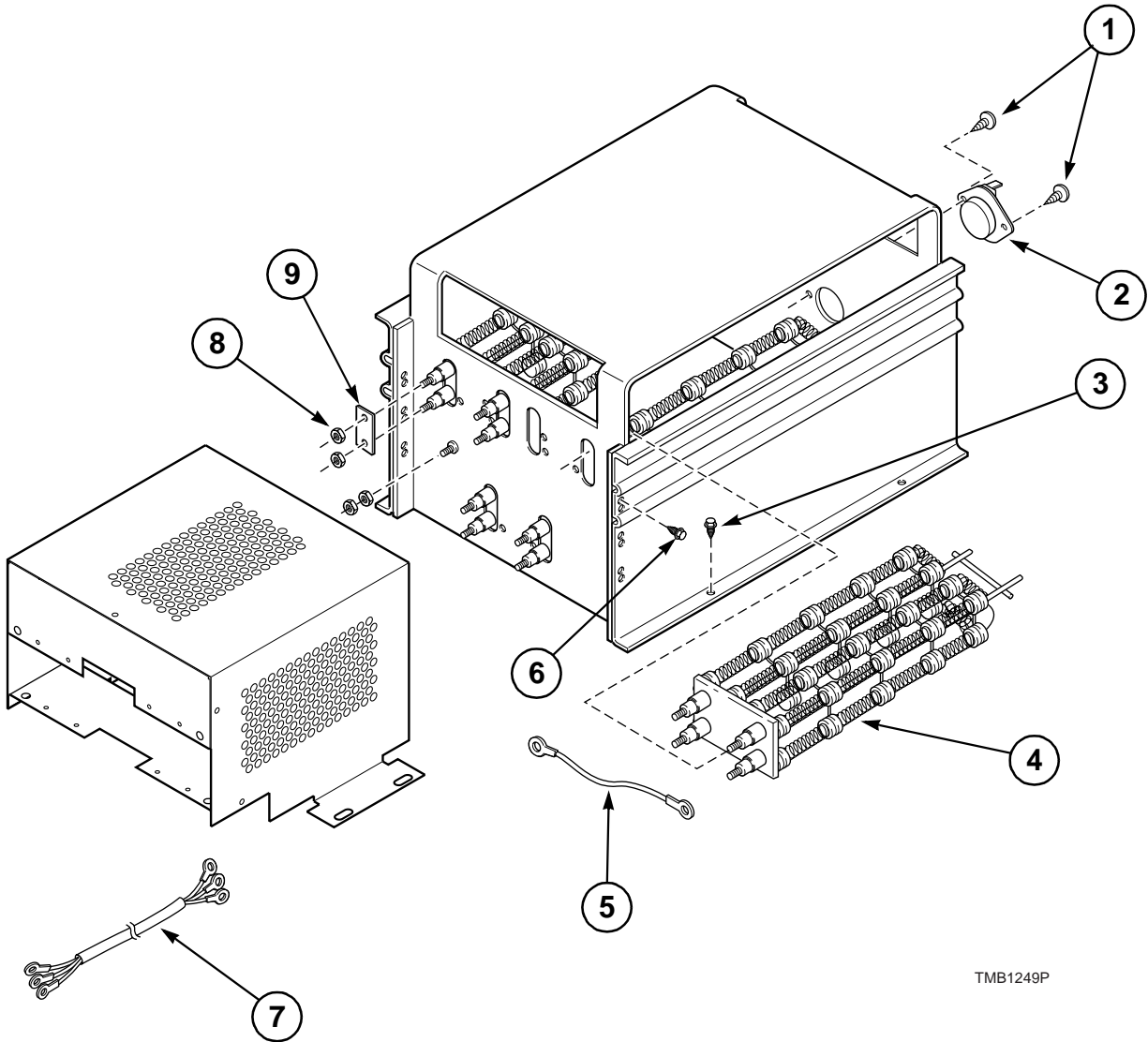
# Gas Heater Components

F75 Models

REF	PART #	DESCRIPTION	COMMENTS
	44042901	Gas Valve Coil	60 Hertz; 24 Volt
	M4542P3	L.P. Gas Conversion Kit	
1	M400664	Screw	4 required
2	M405343	Conduit Retainer	
3	M410220	Thermostat	
4	430497	Screw	2 required
5	M412562	Ball Valve	EU models
6	M400749	Nipple	
7	M406455	Shutoff Valve	
8	M410793	Tailpiece	½ Male NPT
9	M400605	Anti-Torque Ring	Included with Item 8
10	M401549	Nut	Included with Item 8
11	M413464	Gas Valve	L.P. Gas; 60 Hertz
	M413468P	Gas Valve	Natural Gas; 60 Hertz
12	M401548	Nut	
13	M406681	Manifold Pipe	
14	M406810	Spud Holder	
15	M406361	*Burner Orifice, #40, 2.5 mm	L.P. Gas; 0-2000 feet; 3 required
	M403017	*Burner Orifice, #42, 2.4 mm	L.P. Gas; 2001-4000 feet; 3 required
	M406184	*Burner Orifice, #43, 2.3 mm	L.P. Gas; 4001-6000 feet; 3 required
	M401011	*Burner Orifice, #44, 2.2 mm	L.P. Gas; 6001-8000 feet; 3 required
	M401027	*Burner Orifice, #45, 2.1 mm	L.P. Gas; 8001-10000 feet; 3 required
	M401002	*Burner Orifice, #20, 4.1 mm	Natural Gas; 0-2000 feet; 3 required
	M401020	*Burner Orifice, #23, 3.9 mm	Natural Gas; 2001-4000 feet; 3 required
	M402997	*Burner Orifice, #25, 3.8 mm	Natural Gas; 4001-6000 feet; 3 required
	M400998	*Burner Orifice, #27, 3.7 mm	Natural Gas; 6001-8000 feet; 3 required
	M400997	*Burner Orifice, #29, 3.4 mm	Natural Gas; 8001-10000 feet; 3 required
16	70240301	Screw	6 required
17	M406934P	Spark Igniter	
18	M410541	Burner	3 required
19	M412997	Gas Valve Harness	
20	M406814	Gas Valve Bracket	

\*For EU gas and orifice information, refer to Install Manual, M414905

# Non-EU Electric Heater Components

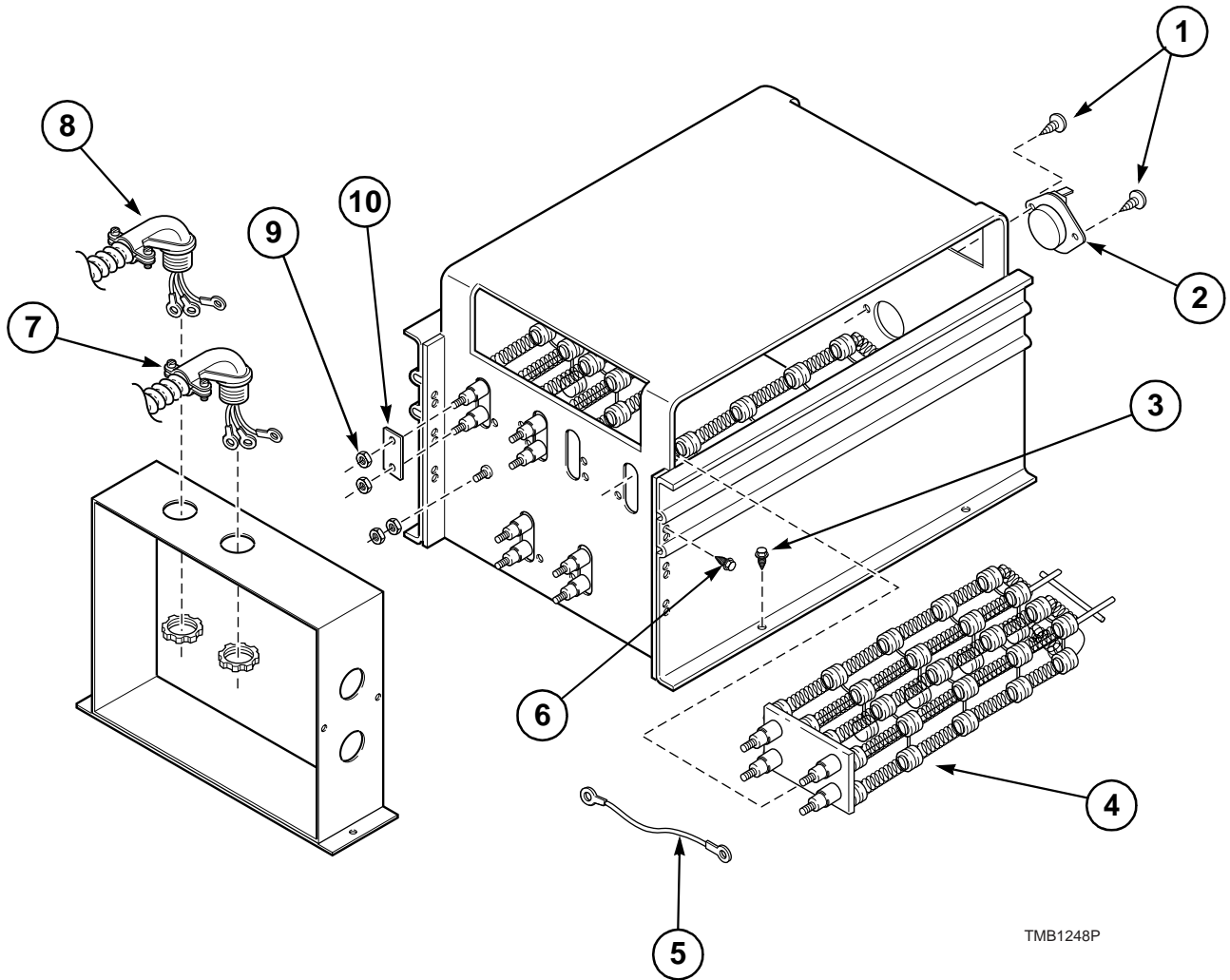


TMB1249P

## Non-EU Electric Heater Components

REF	PART #	DESCRIPTION	COMMENTS
1	33562	Screw	
2	M409433	High Limit Thermostat	
3	430497	Screw	
4	M410939P	Heater Element	10 kW, 240 Volt; 3 required: 240 Volt/60 Hertz/3 Phase, 400-415 Volt/50 Hertz/3 Phase, 480 Volt/60 Hertz/3 Phase
	M410940P	Heater Element	10 kW, 208 Volt; 3 required: 200 Volt/50 Hertz/3 Phase, 200-208 Volt/60 Hertz/3 Phase
	M410941P	Heater Element	10 kW, 220 Volt; 3 required: 380 Volt/50 Hertz/3 Phase
5	M412287	Jumper Wire	1 required: 380 Volt/50 Hertz/3 Phase, 400-415 Volt/50 Hertz/3 Phase; 2 required: 480 Volt/60 Hertz/3 Phase
6	70240301	Screw	
7	M413959	Heater Cable	H1-H3; 200 Volt/50 Hertz/3 Phase, 200-208 Volt/60 Hertz/3 Phase, 240 Volt/60 Hertz/3 Phase, 380 Volt/50 Hertz/3 Phase, 400-415 Volt/50 Hertz/3 Phase, 480 Volt/60 Hertz/3 Phase; 21 kW 240 Volt/50 Hertz/1 Phase
	M413960	Heater Cable	H4-H6; 200 Volt/50 Hertz/3 Phase, 200-208 Volt/60 Hertz/3 Phase, 240 Volt/60 Hertz/3 Phase; 21kW 240 Volt/50 Hertz/1 Phase
8	70054	Nut	
9	M400866	Jumper Bar	380 Volt/50 Hertz/3 Phase, 400-415 Volt/50 Hertz/3 Phase, 480 Volt/60 Hertz/3 Phase
	M400869	Jumper Strip	3 required: 480 Volt/60 Hertz/3 Phase; 6 required: all others

# EU Electric Heater Components

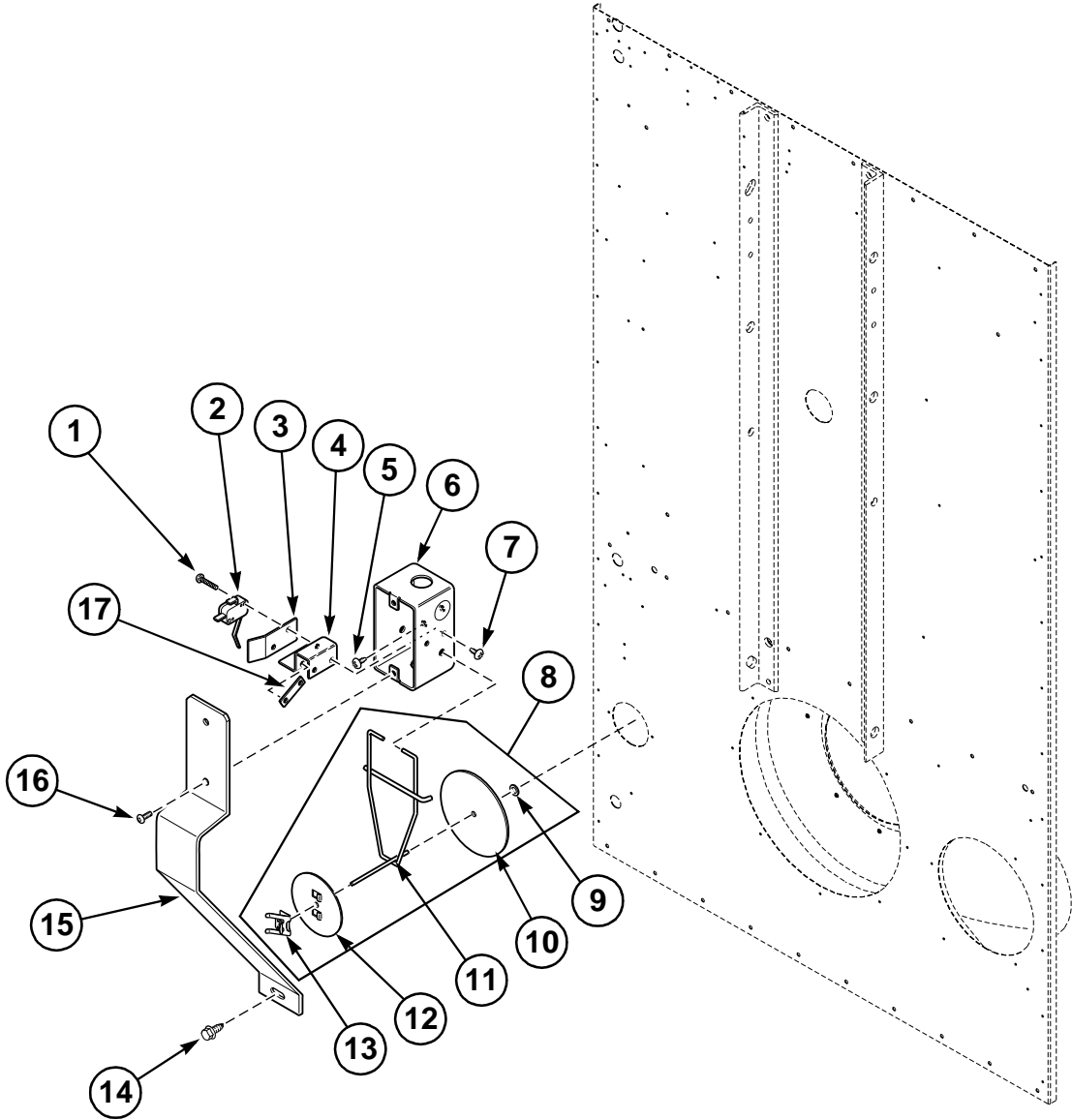


TMB1248P

## EU Electric Heater Components

REF	PART #	DESCRIPTION	COMMENTS
1	33562	Screw	
2	M409433	High Limit Thermostat	
3	430497	Screw	
4	M410939P	Heater Element	10 kW, 240 Volt; 3 required: 230 Volt/50 Hertz/3 Phase, 415 Volt/50 Hertz/3 Phase
	M410941P	Heater Element	10 kW, 220 Volt; 3 required: 380 Volt/50 Hertz/3 Phase
5	M412287	Jumper Wire	380 Volt/50 Hertz/3 Phase, 415 Volt/50 Hertz/3 Phase
6	70240301	Screw	
7	M412802	Heater Cable Harness	240 Volt; 230 Volt/50 Hertz/3 Phase; Includes locknut
8	M412801	Heater Cable Harness	230 Volt/50 Hertz/3 Phase, 380 Volt/50 Hertz/3 Phase, 415 Volt/50 Hertz/3 Phase; Includes locknut
9	70054	Nut	12 required
10	M400869	Jumper Strip	6 required
	M400866	Jumper Bar	380 Volt/50 Hertz/3 Phase, 415 Volt/50 Hertz/3 Phase

# Airflow Switch Assembly



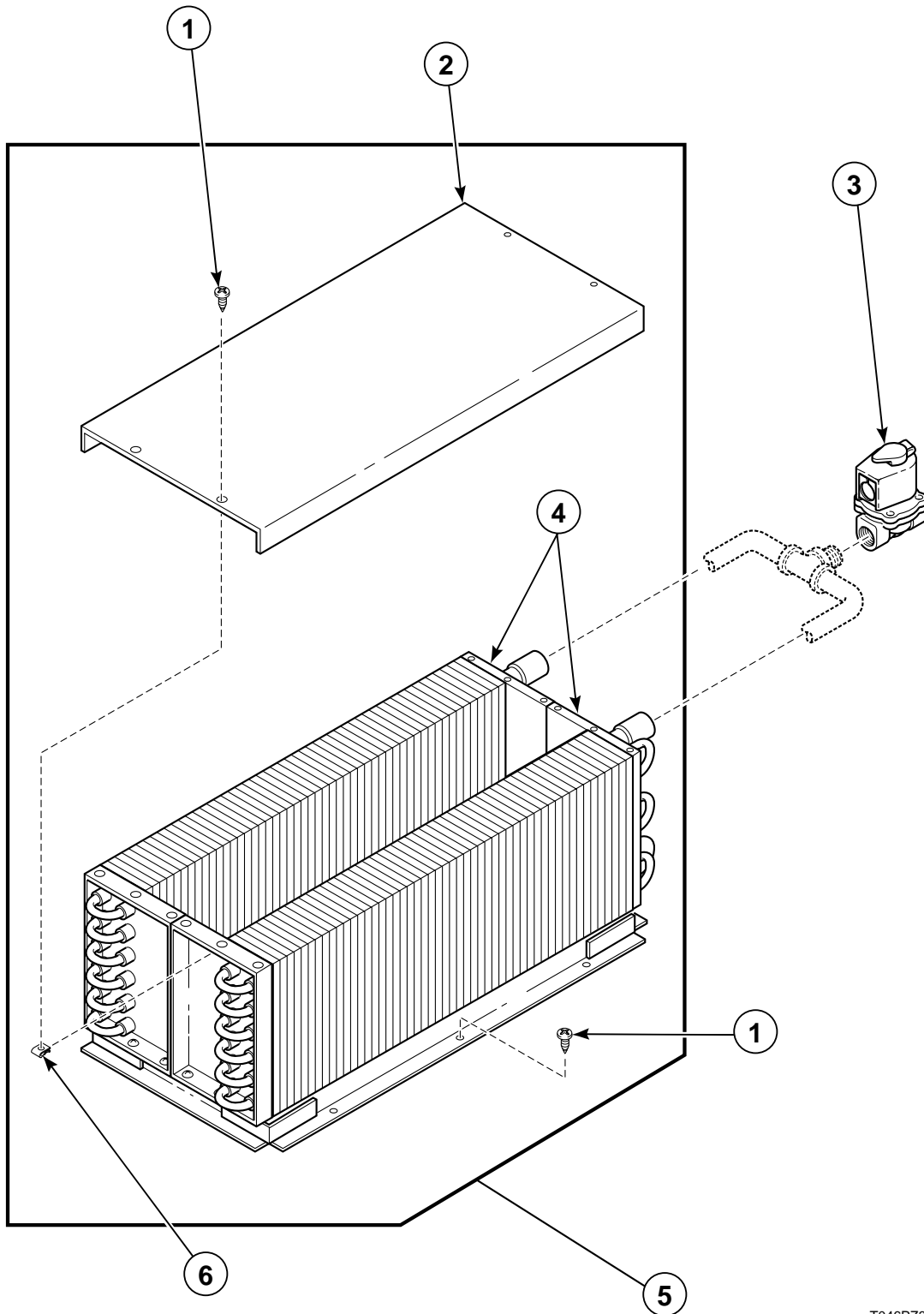
TMB1541P



# Airflow Switch Assembly

REF	PART #	DESCRIPTION	COMMENTS
1	M401938	Screw	
2	M400944	Airflow Switch	Non-EU models
	M412423	Airflow Switch	EU models, 075 models
3	M400712	Barrier	
4	M409202	Bracket	
5	430497	Screw	2 required
6	M403235	Airflow Switch Box	
7	M400664	Screw	
8	M400541	Vane Assembly	075 models
	M413539	Vane Assembly	F75 models
9	M400977	Nut	
10	M400253	Vane	075 models
	M413475	Vane	F75 models
11	M400753	Vane Lever	
12	M400822	Counterweight	
13	M400976	Clip	
14	51780	Screw	
15	M410544	Guard	
16	M400072	Screw	
17	M400979	Twin Speed Nut	

# Steam Heater and Valve

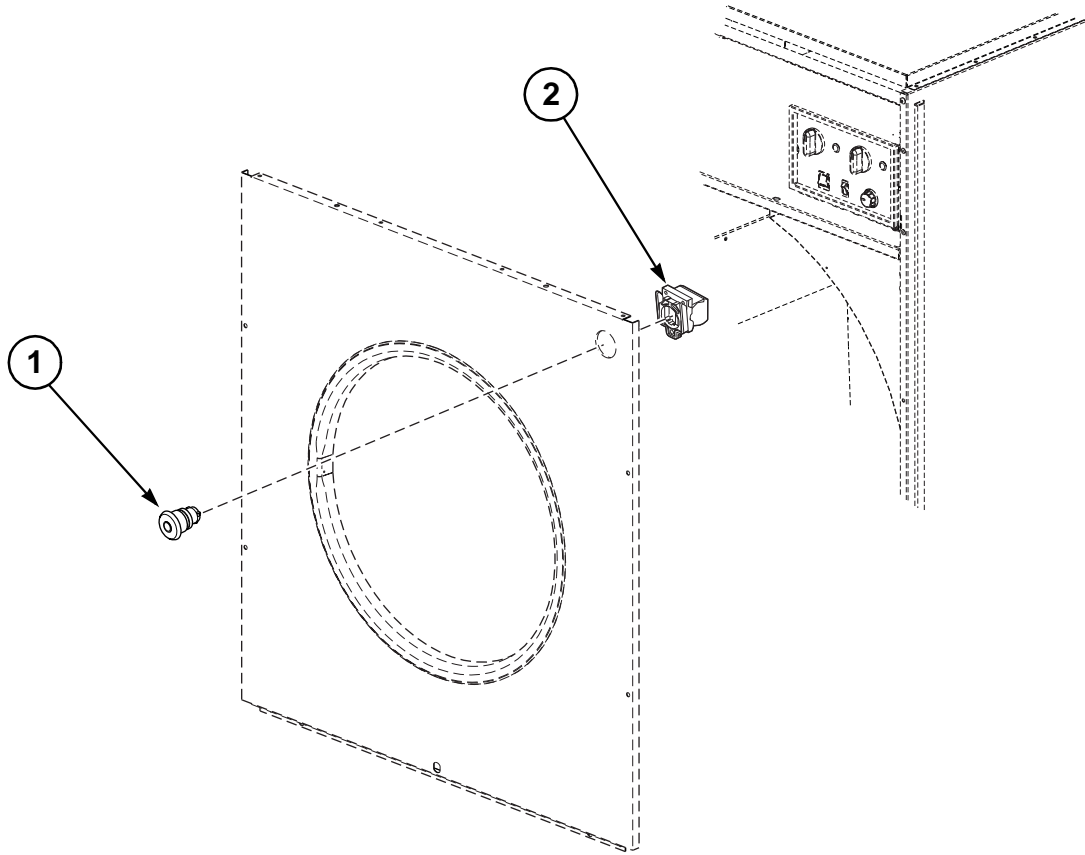


T046PZ3B

## Steam Heater and Valve

REF	PART #	DESCRIPTION	COMMENTS
	M412258	Steam Valve Coil	
	M412259	Repair Kit	
	M413451	Steam Valve Coil	
<b>1</b>	430497	Screw	
<b>2</b>	M400828	Cover	
<b>3</b>	M412241	Steam Valve	EU models
	M413445	Steam Valve	Non-EU models; 50 Hertz
	M413446	Steam Valve	Non-EU models; 60 Hertz
<b>4</b>	M400637	Steam Coil	
<b>5</b>	44020401	Steam Heater Assembly	
<b>6</b>	M400974	Clip	

# EU Emergency Stop Button



TMB1691P

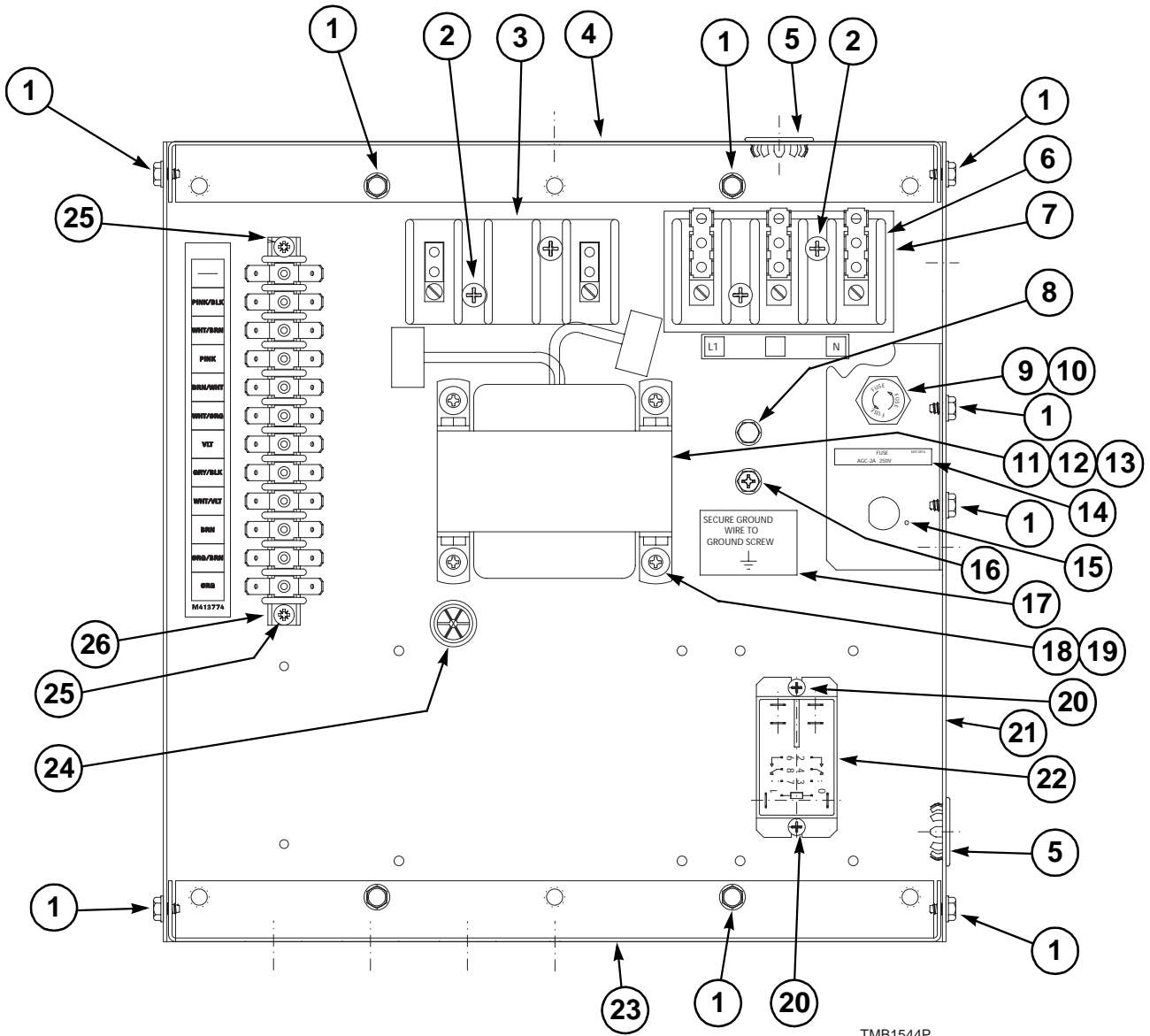
# EU Emergency Stop Button

REF	PART #	DESCRIPTION	COMMENTS
1	44018801	Emergency Stop Button	
2	44018701	Contactora Block	

# Contactor Box Assembly

Gas and Steam Models

120 Volt/ 60 Hertz/ 1 Phase - CD, MT, NMC\*, OM  
 230-240 Volt/ 50 Hertz/ 1 Phase - CD, MT, NMC\*, OM



\* NMC = NC, NR, NX, NY, ZC, ZR, ZX and ZY

# Contactor Box Assembly

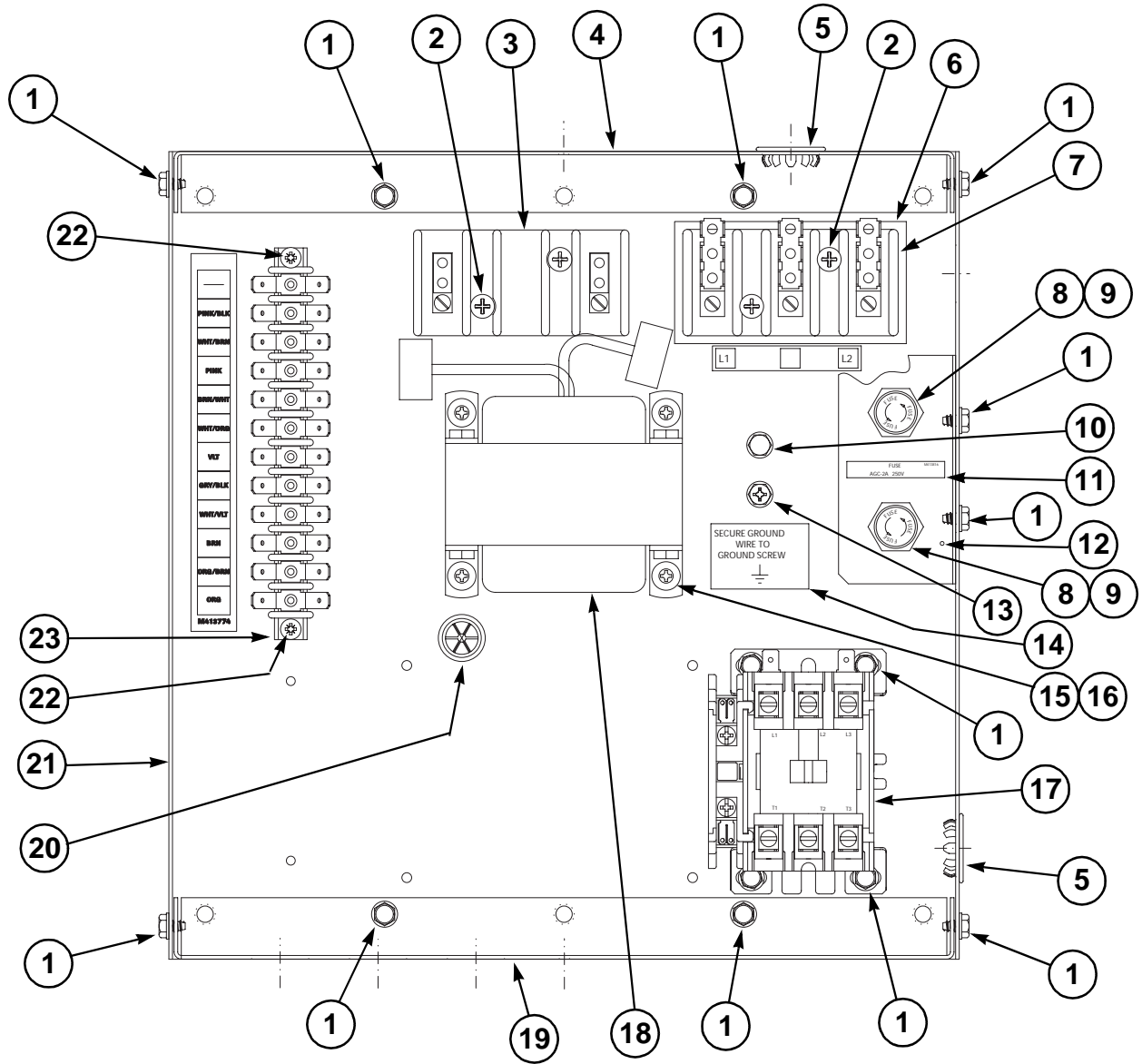
Gas and Steam Models  
 120 Volt/60 Hertz/ 1 Phase - CD, MT, NMC\*, OM  
 230-240 Volt/ 50 Hertz/ 1 Phase - CD, MT, NMC\*, OM

REF	PART #	DESCRIPTION	COMMENTS
	M413507	Jumper Configuration Assembly	240 Volt; Used only on 230-240 Volt/50 Hertz/1 Phase CD, MT, NMC and OM models
	44005801	Harness Assembly	Contactora box; 1 Phase 2 Wire
	M413878	Harness Capacitor Network Assembly	OM models
	M413863	Network Capacitor Assembly	OM models
1	51780	Tap Screw	14 required
2	M405824	Screw	4 required
3	M405364	Terminal Block	2 pole
4	M413757	Contactora Box End	Top
5	M400985	Snap In Plug Button	7/8 inch; 2 required
6	430642	Terminal Block	3 pole
7	M413862	Insulator	
8	430497	Tap Screw	OM models
9	91024	Fuse Holder	250 Volt
10	M413118	Fuse	250 Volt; 2 Amp
11	M414230	Transformer	120 Volt; Single secondary; Used only on 120 Volt/60 Hertz/1 Phase CD and MT models
12	M414312	Transformer	Dual secondary; Used only on 120 Volt/60 Hertz/1 Phase NMC and OM models
13	M414228	Multitap Transformer	100-240 Volt; Used only on 230-240 Volt/50 Hertz/1 Phase CD, MT, NMC and OM models
14	M413816	Fuse Sticker	2 Amp
15	M413575	Fuse Bracket	
16	M402917	Ground Screw	
17	M403047	Ground Marker	Electrical
18	M400044	Screw	4 required
19	23951	Keps Nut	4 required
20	51778	Screw	2 required
21	44028401	Contactora Box Wrapper	
22	502501	Power Relay	24 Volt
23	M413758	Contactora Box End	Bottom
24	M411537	Snap Bushing	5/8 inch
25	51778	Tap Screw	2 required
26	M413542	Terminal Strip	12 circuit

\* NMC = NC, NR, NX, NY, ZC, ZR, ZX and ZY

# Contactor Box Assembly

Gas and Steam Models  
200-208/ 240 Volt/ 60 Hertz/ 1 Phase - CD, MT, NMC\*, OM



TMB1546P

\* NMC = NC, NR, NX, NY, ZC, ZR, ZX and ZY



# Contactor Box Assembly

Gas and Steam Models  
200-208/ 240 Volt/ 60 Hertz/ 1 Phase - CD, MT, NMC\*, OM

REF	PART #	DESCRIPTION	COMMENTS
	M413507	Jumper Configuration Assembly	240 Volt
	44005901	Harness Assembly	Contactorm box; 1 Phase 3 wire
	M413878	Harness Capacitor Network Assembly	OM models
	M413863	Network Capacitor Assembly	OM models
1	51780	Tap Screw	18 required
2	M405824	Screw	4 required
3	M405364	Terminal Block	2 pole
4	M413757	Contactorm Box End	Top
5	M400985	Snap In Plug Button	7/8 inch; 2 required
6	M413862	Insulator	
7	430642	Terminal Block	3 pole
8	91024	Fuse Holder	250 Volt; 2 required
9	M413118	Fuse	250 Volt; 2 Amp; 2 required
10	430497	Tap Screw	OM models
11	M413816	Fuse Sticker	2 Amp
12	M413575	Fuse Bracket	
13	M402917	Ground Screw	
14	M403047	Ground Marker	Electrical
15	M400044	Screw	4 required
16	23951	Keps Nut	4 required
17	M413614	Fan Contactorm	
18	M414228	Multitap Transformer	100-240 Volt
19	M413758	Contactorm Box End	Bottom
20	M411537	Snap Bushing	5/8 inch
21	44028401	Contactorm Box Wrapper	
22	51778	Tap Screw	2 required
23	M413542	Terminal Strip	12 circuit

\* NMC = NC, NR, NX, NY, ZC, ZR, ZX and ZY

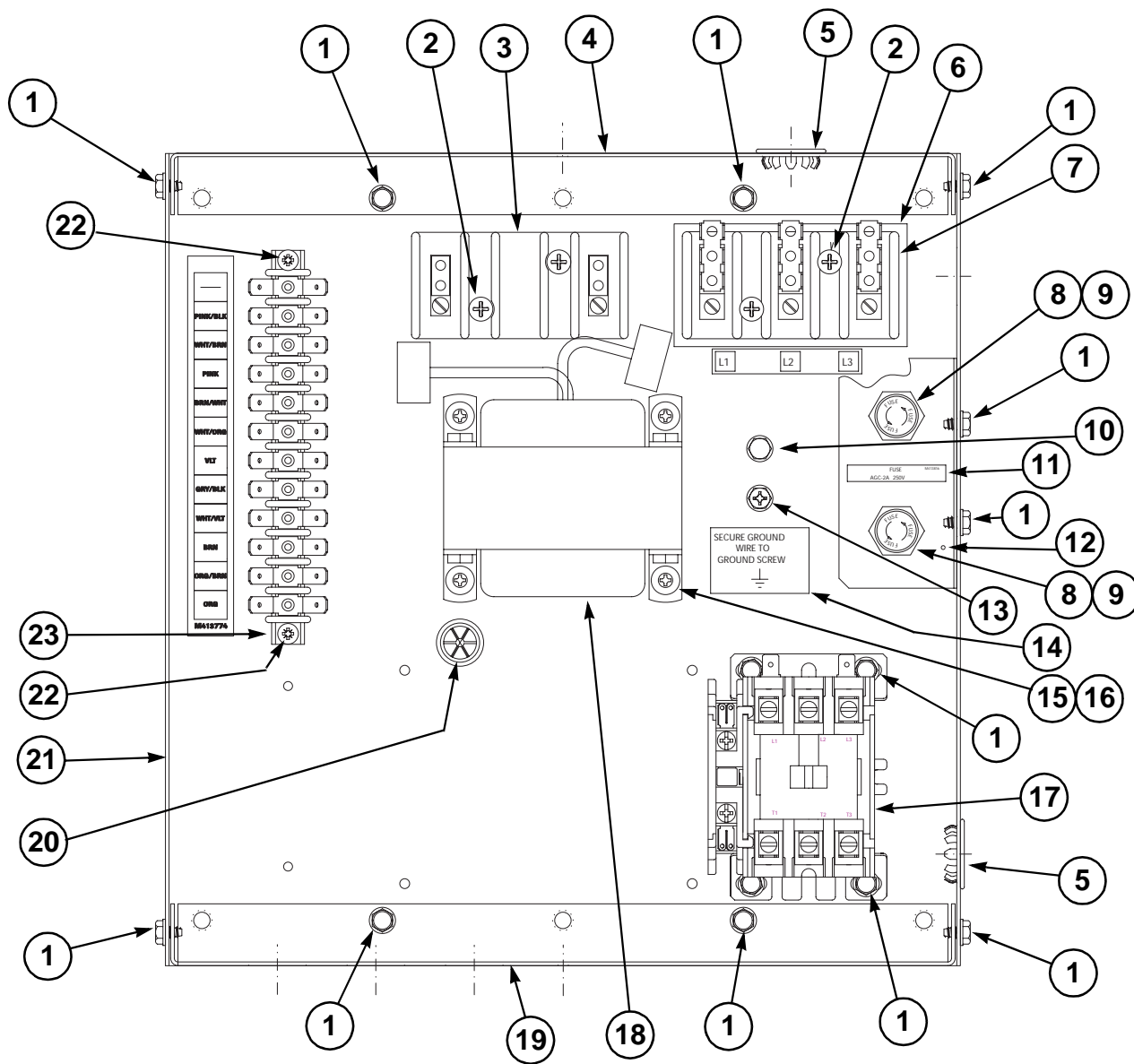
# Contactor Box Assembly

Gas and Steam Models

200 Volt/ 50 Hertz/ 3 Phase - CD, MT, NMC\*, OM

200-208/ 240 Volt/ 60 Hertz/ 3 Phase - CD, MT, NMC\*, OM

230-240 Volt/ 50 Hertz/ 3 Phase - CD, MT, NMC\*, OM



TMB1548P

\* NMC = NC, NR, NX, NY, ZC, ZR, ZX and ZY

# Contactor Box Assembly

Gas and Steam Models

200 Volt/ 50 Hertz/ 3 Phase - CD, MT, NMC\*, OM

200-208/ 240 Volt/ 60 Hertz/ 3 Phase - CD, MT, NMC\*, OM

230-240 Volt/ 50 Hertz/ 3 Phase - CD, MT, NMC\*, OM

REF	PART #	DESCRIPTION	COMMENTS
	M413506	Jumper Configuration Assembly	208 Volt; Used only on 200Volt/50 Hertz/3 Phase; CD, MT, NMC and OM models
	M413507	Jumper Configuration Assembly	240 Volt; Used only on 200-208/240 Volt/60 Hertz/3 Phase and 230-240 Volt/50 Hertz/3 Phase CD, MT, NMC and OM models
	M413683	Harness Assembly	Contactor box; 3 Phase
	M413878	Harness Capacitor Network Assembly	OM models
	M413863	Network Capacitor Assembly	OM models
1	51780	Tap Screw	18 required
2	M405824	Screw	4 required
3	M405364	Terminal Block	2 pole
4	M413757	Contactor Box End	Top
5	M400985	Snap In Plug Button	7/8 inch; 2 required
6	M413862	Insulator	
7	430642	Terminal Block	3 pole
8	91024	Fuse Holder	250 Volt; 2 required
9	M413118	Fuse	250 Volt; 2 Amp; 2 required
10	430497	Tap Screw	OM models
11	M413816	Fuse Sticker	2 Amp
12	M413575	Fuse Bracket	
13	M402917	Ground Screw	
14	M403047	Ground Marker	Electrical
15	M400044	Screw	4 required
16	23951	Keps Nut	4 required
17	M413614	Fan Contactor	
18	M414228	Multitap Transformer	100-240 Volt
19	M413758	Contactor Box End	Bottom
20	M411537	Snap Bushing	5/8 inch
21	44028401	Contactor Box Wrapper	
22	51778	Tap Screw	2 required
23	M413542	Terminal Strip	12 circuit

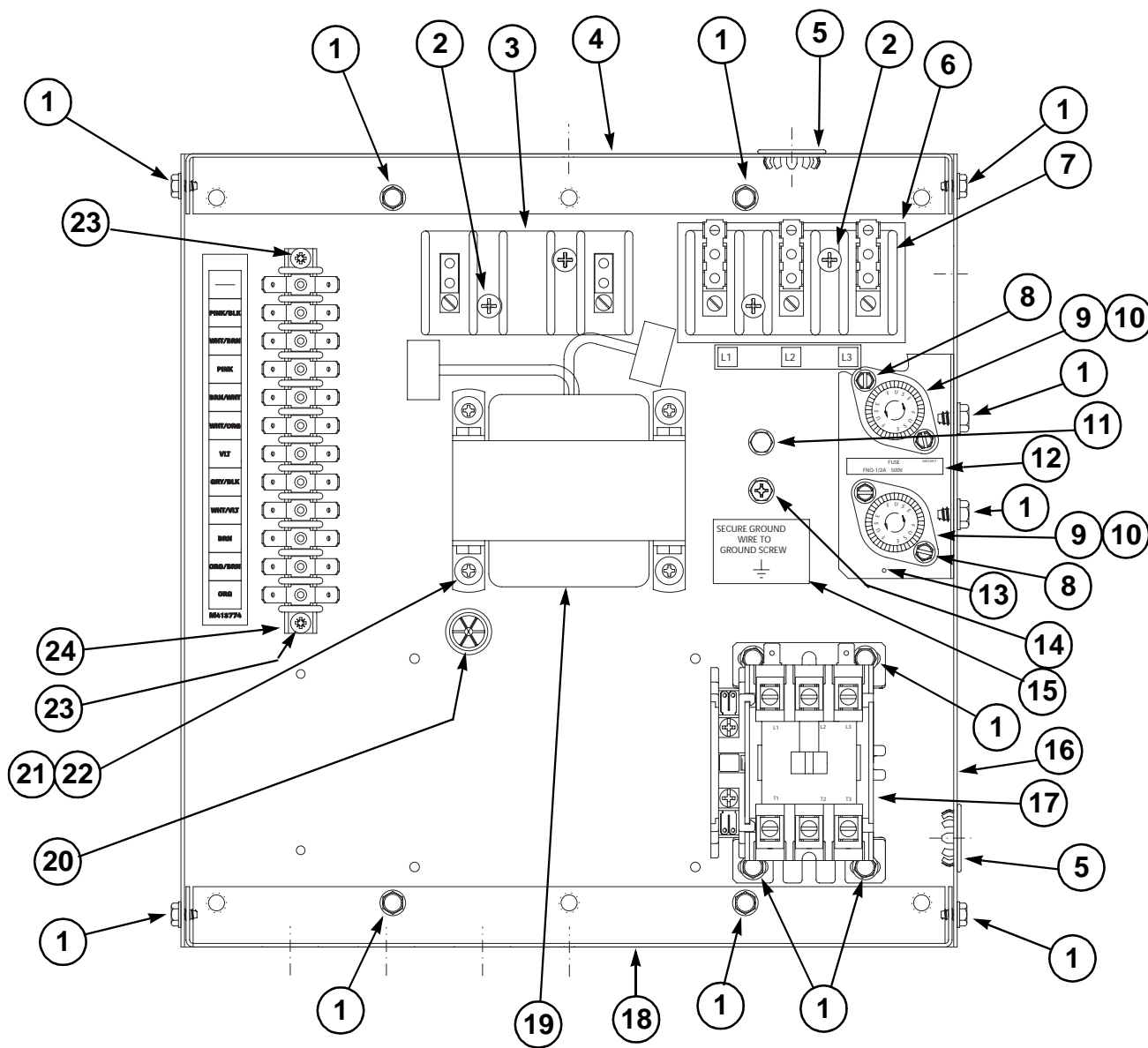
\* NMC = NC, NR, NX, NY, ZC, ZR, ZX and ZY

# Contactor Box Assembly

Gas and Steam Models

380/400-415 Volt/ 50 Hertz/ 3 Phase - CD, MT, NMC\*, OM

460-480 Volt/ 60 Hertz/ 3 Phase - CD, MT, NMC\*, OM



TMB1550P

\* NMC = NC, NR, NX, NY, ZC, ZR, ZX and ZY

# Contactor Box Assembly

Gas and Steam Models

380/400-415 Volt/ 50 Hertz/ 3 Phase - CD, MT, NMC\*, OM

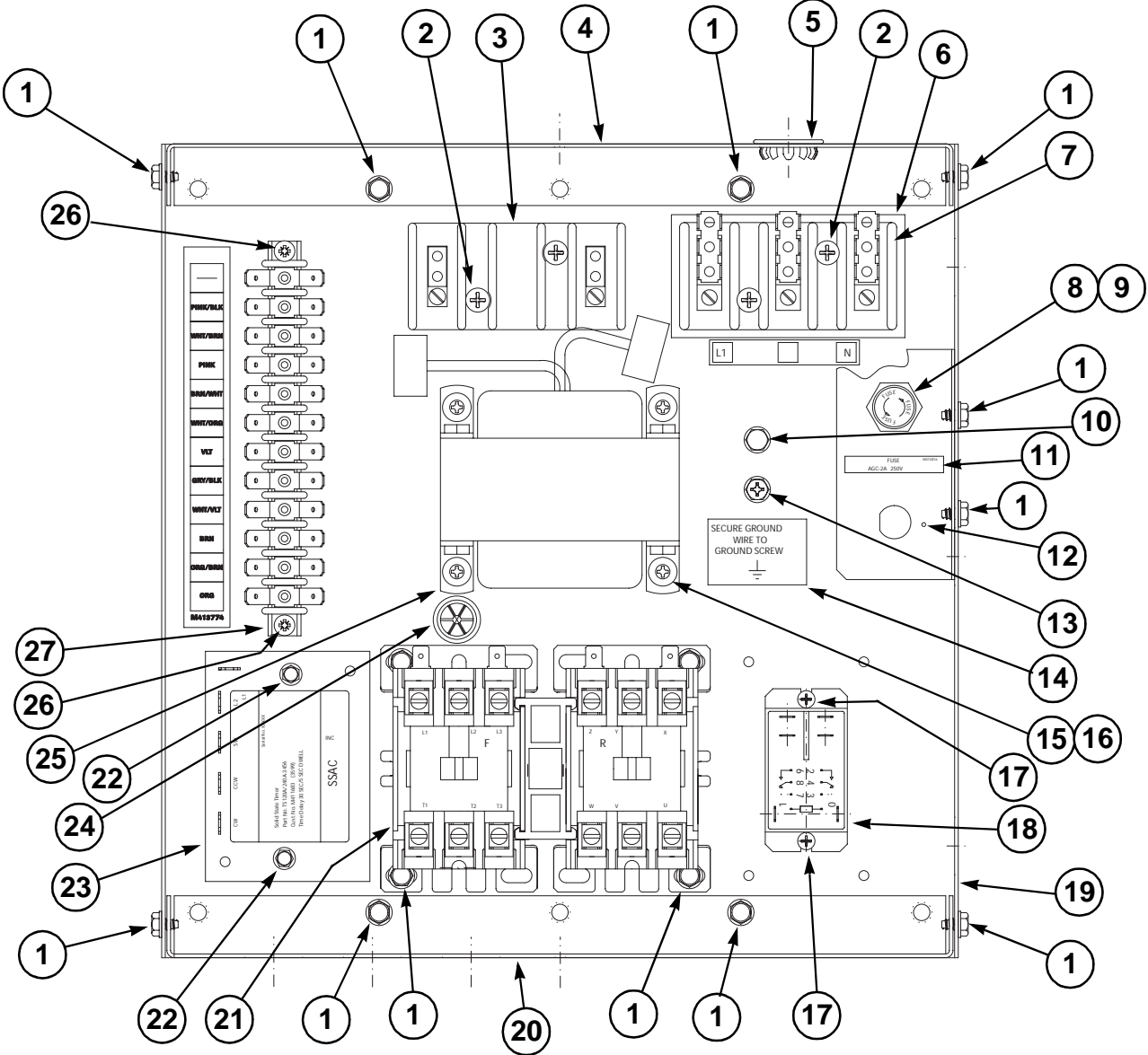
460-480 Volt/ 60 Hertz/ 3 Phase - CD, MT, NMC\*, OM

REF	PART #	DESCRIPTION	COMMENTS
	M413508	Jumper Configuration Assembly	Used only on 380/400-415 Volt/50 Hertz/3 Phase CD, MT, NMC and OM models
	M413510	Jumper Configuration Assembly	480 Volt; Used only on 460-480 Volt/60 Hertz/3 Phase CD, MT, NMC and OM models
	M413683	Harness Assembly	Contactor box; 3 Phase
	M413878	Harness Capacitor Network Assembly	OM models
	M413863	Network Capacitor Assembly	OM models
<b>1</b>	51780	Tap Screw	18 required
<b>2</b>	M405824	Screw	4 required
<b>3</b>	M405364	Terminal Block	2 pole
<b>4</b>	M413757	Contactor Box End	Top
<b>5</b>	M400985	Snap In Plug Button	7/8 inch; 2 required
<b>6</b>	M413862	Insulator	
<b>7</b>	430642	Terminal Block	3 pole
<b>8</b>	501086	Tap Screw	4 required
<b>9</b>	M413544	Fuse Holder	600 Volt; 2 required
<b>10</b>	M413621	Fuse	500 Volt-1/2 Amp; 2 required
<b>11</b>	430497	Tap Screw	OM models
<b>12</b>	M413817	Fuse Sticker	1/2 Amp
<b>13</b>	M413576	Fuse Bracket	
<b>14</b>	M402917	Ground Screw	
<b>15</b>	M403047	Ground Marker	Electrical
<b>16</b>	44028401	Contactor Box Wrapper	
<b>17</b>	M413614	Fan Contactor	
<b>18</b>	M413758	Contactor Box End	Bottom
<b>19</b>	M414229	Multitap Transformer	380-480 Volt
<b>20</b>	M411537	Snap Bushing	5/8 inch
<b>21</b>	M400044	Screw	4 required
<b>22</b>	23951	Keps Nut	4 required
<b>23</b>	51778	Tap Screw	2 required
<b>24</b>	M413542	Terminal Strip	12 circuit

\* NMC = NC, NR, NX, NY, ZC, ZR, ZX and ZY

# Contactor Box Assembly

Gas and Steam Models  
 230-240 Volt/ 50 Hertz/ 1 Phase - RM, RT



TMB1552P

# Contactor Box Assembly

Gas and Steam Models  
230-240 Volt/ 50 Hertz/ 1 Phase - RM, RT

REF	PART #	DESCRIPTION	COMMENTS
	M413507	Jumper Configuration Assembly	240 Volt
	44006001	Harness Assembly	Contactorm box; 1 Phase; Reversing
	M413168	Jumper Assembly	Bypass; RM models
	M413694	Jumper Assembly	Reversing contactor; 1 Phase; Upper
	M413695	Jumper Assembly	Reversing contactor; 1 Phase; Lower
	M413878	Harness Capacitor Network Assembly	RM models
	M413863	Network Capacitor Assembly	RM models
	44008001	Reversing Timer Harness Assembly	RT models
1	51780	Screw	18 required
2	M405824	Screw	4 required
3	M405364	Terminal Block	2 pole
4	M413757	Contactorm Box End	Top
5	M400985	Snap In Plug Button	
6	M413862	Insulator	
7	430642	Terminal Block	3 pole
8	91024	Fuse Holder	250 Volt
9	M413118	Fuse	250 Volt-2 Amp
10	430497	Tap Screw	RM models
11	M413816	Fuse Sticker	2 Amp
12	M413575	Fuse Bracket	
13	M402917	Ground Screw	
14	M403047	Ground Marker	Electrical
15	M400044	Screw	4 required
16	23951	Keps Nut	4 required
17	51778	Screw	2 required
18	502501	Power Relay	24 Volt
19	44028401	Contactorm Box Wrapper	
20	M413758	Contactorm Box End	Bottom
21	M413615	Reversing Contactorm	
22	M412105	Tap Screw	2 required; RT models
23	M412081	Reversing Timer	24 Volt; RT models
24	M411537	Snap Bushing	5/8 inch
25	M414228	Transformer	Multitap 100-240 Volt
26	51778	Tap Screw	2 required
27	M413542	Terminal Strip	12 circuit

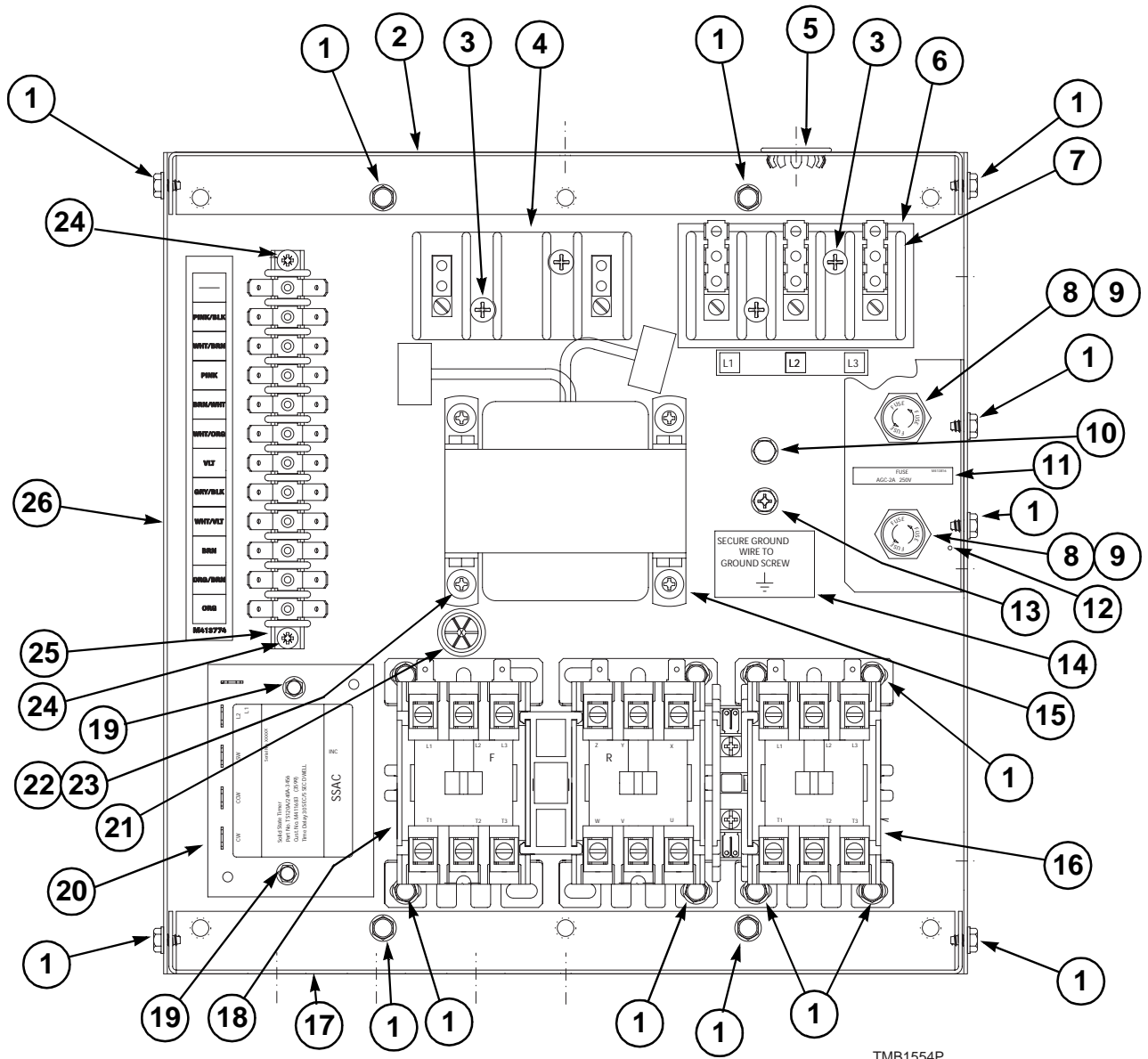
# Contactor Box Assembly

Gas and Steam Models

200 Volt/ 50 Hertz/ 3 Phase - RM, RT

200-208/ 240 Volt/ 60 Hertz/ 3 Phase - RM, RT

230-240 Volt/ 50 Hertz/ 3 Phase - RM, RT





# Contactor Box Assembly

Gas and Steam Models  
 200 Volt/ 50 Hertz/ 3 Phase - RM, RT  
 200-208/ 240 Volt/ 60 Hertz/ 3 Phase - RM, RT  
 230-240 Volt/ 50 Hertz/ 3 Phase - RM, RT

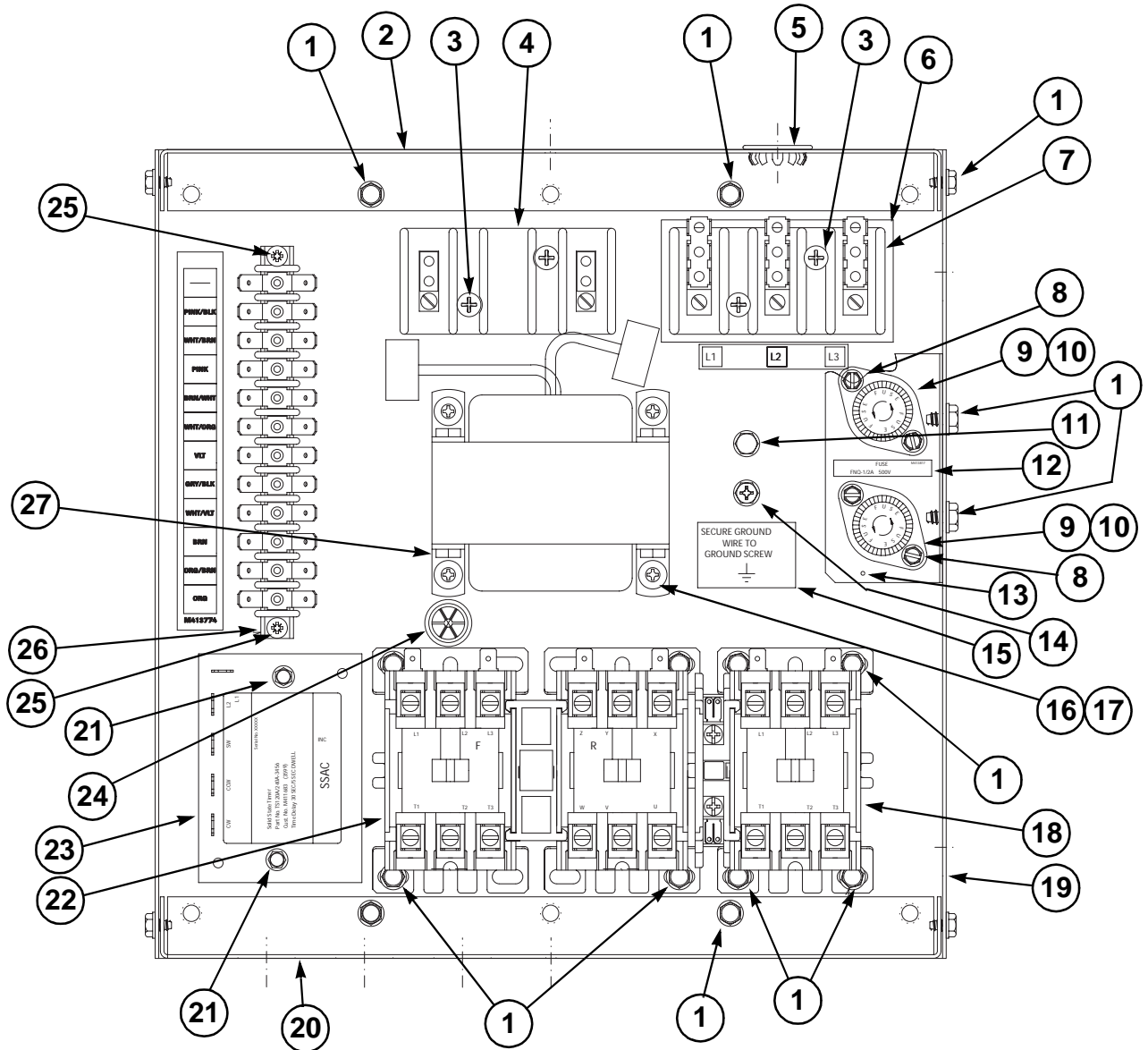
REF	PART #	DESCRIPTION	COMMENTS
	M413506	Jumper Configuration Assembly	208 Volt; Used only on 200Volt/50 Hertz/3 Phase RT and RM models
	M413507	Jumper Configuration Assembly	240 Volt; Used only on 200-208/240 Volt/60 Hertz/3 Phase and 230-240 Volt/50 Hertz/3 Phase RT and RM models
	M413684	Harness Assembly	Contactor box; 3 Phase; Reversing
	M413168	Jumper Assembly	Bypass; RM models
	M413624	Jumper Assembly	Reversing contactor; 3 Phase; Upper
	M413625	Jumper Assembly	Reversing contactor; 3 Phase; Lower
	M413878	Harness Capacitor Network Assembly	RM models
	M413863	Network Capacitor Assembly	RM models
	44008001	Reversing Timer Harness Assembly	RT models
<b>1</b>	51780	Tap Screw	22 required
<b>2</b>	M413757	Contactor Box End	Top
<b>3</b>	M405824	Screw	4 required
<b>4</b>	M405364	Terminal Block	2 pole
<b>5</b>	M400985	Snap In Plug Button	7/8 inch
<b>6</b>	M413862	Insulator	
<b>7</b>	430642	Terminal Block	3 pole
<b>8</b>	91024	Fuse Holder	250 Volt; 2 required
<b>9</b>	M413118	Fuse	250 Volt; 2 Amp; 2 required
<b>10</b>	430497	Tap Screw	RM models
<b>11</b>	M413816	Fuse Sticker	2 Amp
<b>12</b>	M413575	Fuse Bracket	
<b>13</b>	M402917	Ground Screw	
<b>14</b>	M403047	Ground Marker	Electrical
<b>15</b>	M414228	Multitap Transformer	100-240 Volt
<b>16</b>	M413614	Fan Contactor	
<b>17</b>	M413758	Contactor Box End	Bottom
<b>18</b>	M413615	Reversing Contactor	
<b>19</b>	M412105	Tap Screw	2 required; RT models
<b>20</b>	M412081	Reversing Timer	24 Volt; RT models
<b>21</b>	M411537	Snap Bushing	5/8 inch
<b>22</b>	M400044	Screw	4 required
<b>23</b>	23951	Keps Nut	4 required
<b>24</b>	51778	Tap Screw	2 required
<b>25</b>	M413542	Terminal Strip	12 circuit
<b>26</b>	44028401	Contactor Box Wrapper	

# Contactor Box Assembly

Gas and Steam Models

380/400-415 Volt/ 50 Hertz/ 3 Phase - RM, RT

460-480 Volt/ 60 Hertz/ 3 Phase - RM, RT



TMB1556P

# Contactor Box Assembly

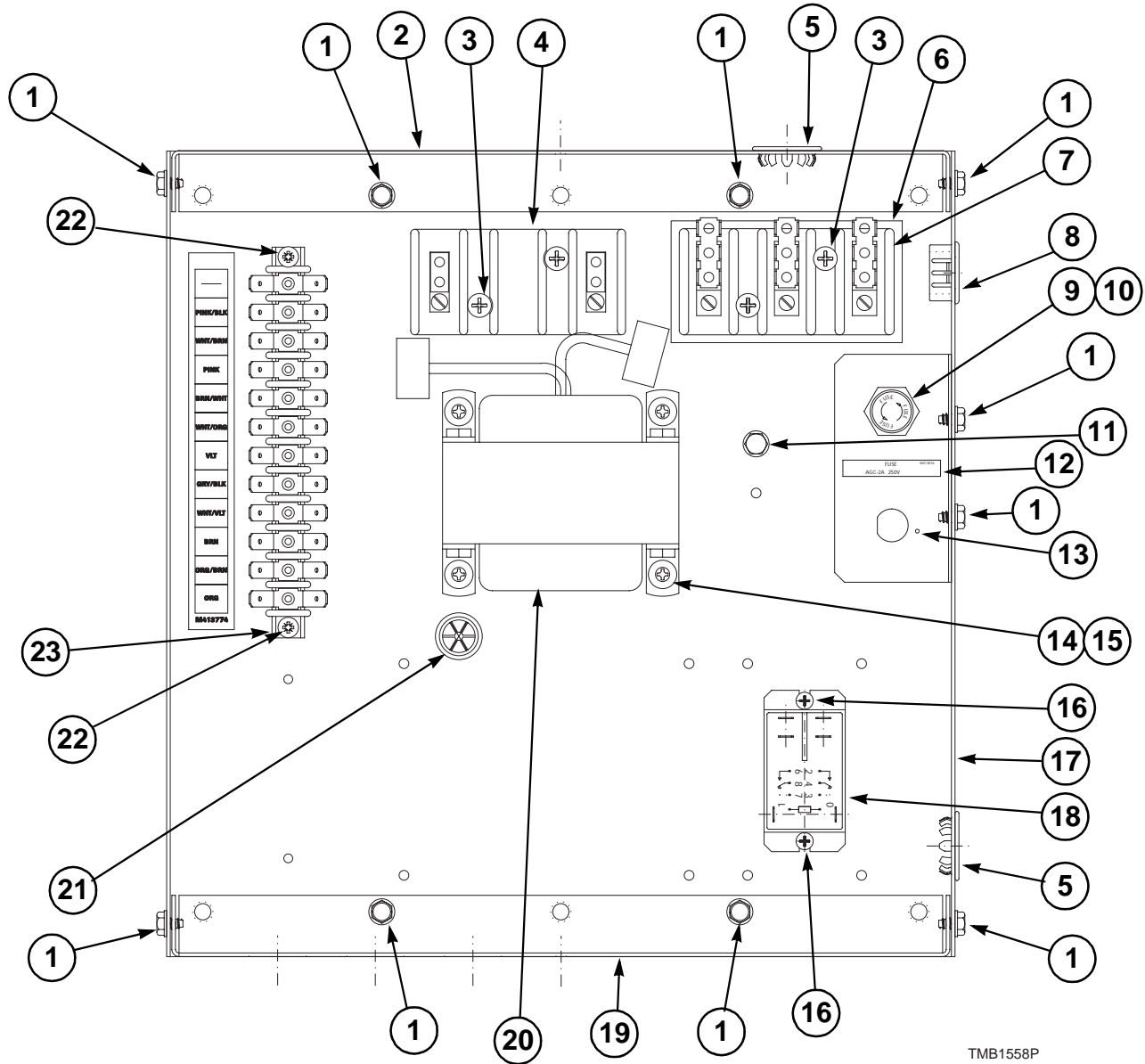
Gas and Steam Models  
 380/400-415 Volt/ 50 Hertz/ 3 Phase - RM, RT  
 460-480 Volt/ 60 Hertz/ 3 Phase - RM, RT

REF	PART #	DESCRIPTION	COMMENTS
	M413508	Jumper Configuration Assembly	380 Volt; Used only on 380/400-415 Volt/50 Hertz/3 Phase RT and RM models
	M413510	Jumper Configuration Assembly	480 Volt; Used only on 460-480 Volt/60 Hertz/3 Phase RT and RM models
	M413684	Harness Assembly	Contactor box; 3 Phase; Reversing
	M413168	Jumper Assembly	Bypass; RM models
	M413624	Jumper Assembly	Reversing contactor; 3 Phase; Upper
	M413625	Jumper Assembly	Reversing contactor; 3 Phase; Lower
	M413878	Harness Capacitor Network Assembly	RM models
	M413863	Network Capacitor Assembly	RM models
	44008001	Harness Assembly	Reverse timer; RT models
1	51780	Tap Screw	22 required
2	M413757	Contactor Box End	Top
3	M405824	Screw	4 required
4	M405364	Terminal Block	2 pole
5	M400985	Snap In Plug Button	7/8 inch
6	M413862	Insulator	
7	430642	Terminal Block	3 pole
8	501086	Tap Screw	4 required
9	M413544	Fuse Holder	600 Volt; 2 required
10	M413621	Fuse	500 Volt-1/2 Amp; 2 required
11	430497	Tap Screw	RM models
12	M413817	Fuse Sticker	1/2 Amp
13	M413576	Fuse Bracket	
14	M402917	Ground Screw	
15	M403047	Ground Marker	Electrical
16	M400044	Screw	4 required
17	23951	Keps Nut	
18	M413614	Fan Contactor	
19	44028401	Contactor Box Wrapper	
20	M413758	Contactor Box End	Bottom
21	M412105	Tap Screw	2 required; RT models
22	M413615	Reversing Contactor	
23	M412081	Reversing Timer	24 Volt; RT models
24	M411537	Snap Bushing	5/8 inch
25	51778	Tap Screw	2 required
26	M413542	Terminal Strip	12 circuit
27	M414229	Multitap Transformer	380-480 Volt

# Contactor Box Assembly

Electric Models

240 Volt/ 50 Hertz/ 1 Phase - CD, MT, NMC\*, OM



TMB1558P

\* NMC = NC, NR, NX, NY, ZC, ZR, ZX and ZY

# Contactor Box Assembly

Electric Models

240 Volt/ 50 Hertz/ 1 Phase - CD, MT, NMC\*, OM

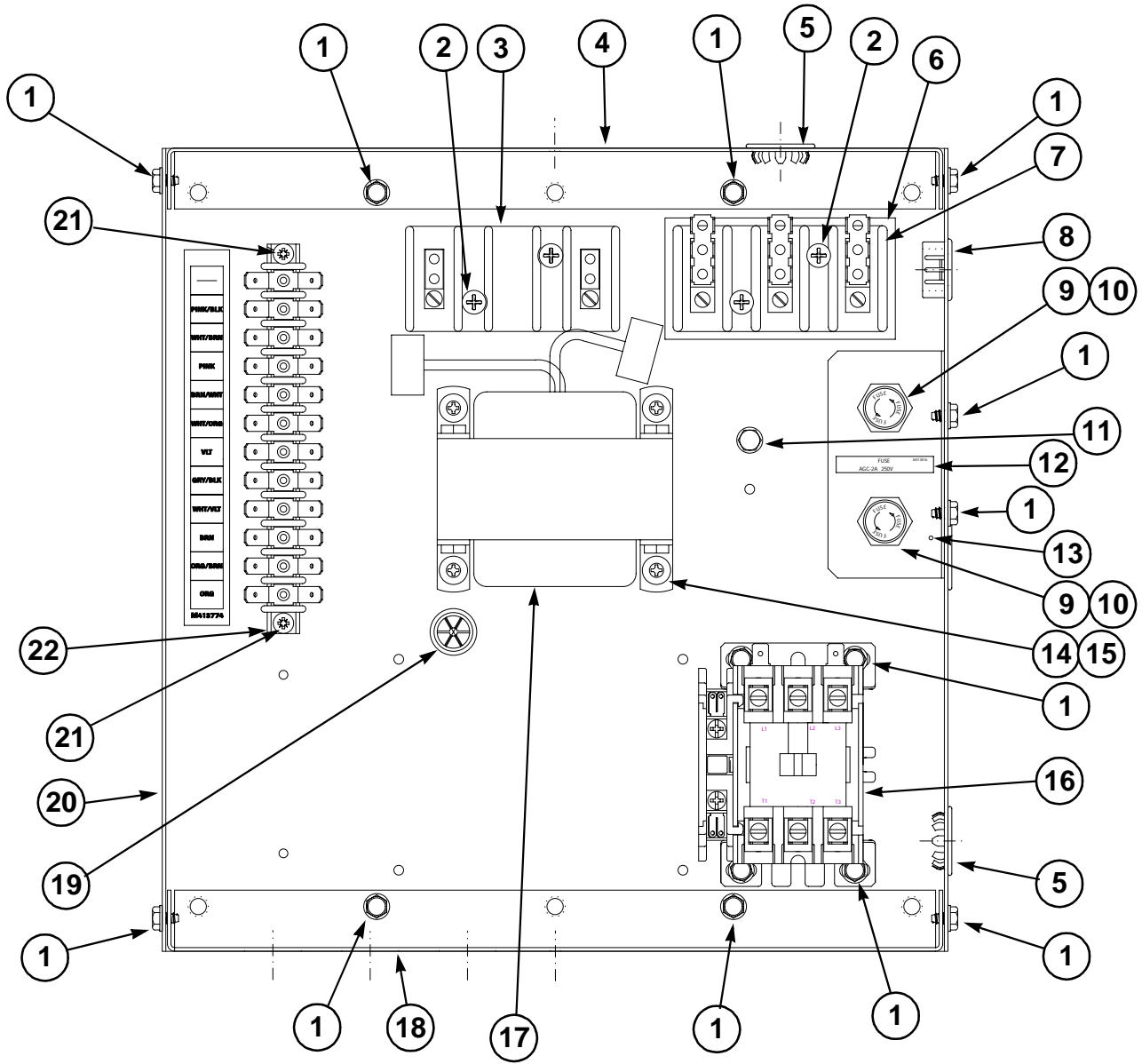
REF	PART #	DESCRIPTION	COMMENTS
	M413507	Jumper Configuration Assembly	240 Volt
	44005801	Harness Assembly	Contactor box; 1 Phase; 2 Wire
	M413878	Harness Capacitor Network Assembly	OM models
	M413863	Network Capacitor Assembly	OM models
1	51780	Tap Screw	14 required
2	M413757	Contactor Box End	Top
3	M405824	Screw	4 required
4	M405364	Terminal Block	2 pole
5	M400985	Snap In Plug Button	7/8 inch; 2 required
6	M413862	Insulator	
7	430642	Terminal Block	3 pole
8	M400770	Snap Bushing	7/8 inch
9	91024	Fuse Holder	250 Volt
10	M413118	Fuse	250 Volt; 2 Amp
11	430497	Tap Screw	OM models
12	M413816	Fuse Sticker	2 Amp
13	M413575	Fuse Bracket	
14	M400044	Screw	4 required
15	23951	Keps Nut	4 required
16	51778	Screw	2 required
17	44028401	Contactor Box Wrapper	
18	502501	Power Relay	24 Volt
19	M413758	Contactor Box End	Bottom
20	M414228	Multitap Transformer	100-240 Volt
21	M411537	Snap Bushing	5/8 inch
22	51778	Tap Screw	2 required
23	M413542	Terminal Strip	12 circuit

\* NMC = NC, NR, NX, NY, ZC, ZR, ZX and ZY

# Contactor Box Assembly

Electric Models

200 Volt/ 50 Hertz/ 3 Phase - CD, MT, NMC\*, OM  
 200-208 Volt/ 60 Hertz/ 3 Phase - CD, MT, NMC\*, OM  
 240 Volt/ 50 Hertz/ 3 Phase - CD, MT, NMC\*, OM  
 240 Volt/ 60 Hertz/ 3 Phase - CD, MT, NMC\*, OM



TMB1560P

\* NMC = NC, NR, NX, NY, ZC, ZR, ZX and ZY

# Contactor Box Assembly

Electric Models

200 Volt/ 50 Hertz/ 3 Phase - CD, MT, NMC\*, OM  
 200-208 Volt/ 60 Hertz/ 3 Phase - CD, MT, NMC\*, OM  
 240 Volt/ 50 Hertz/ 3 Phase - CD, MT, NMC\*, OM  
 240 Volt/ 60 Hertz/ 3 Phase - CD, MT, NMC\*, OM

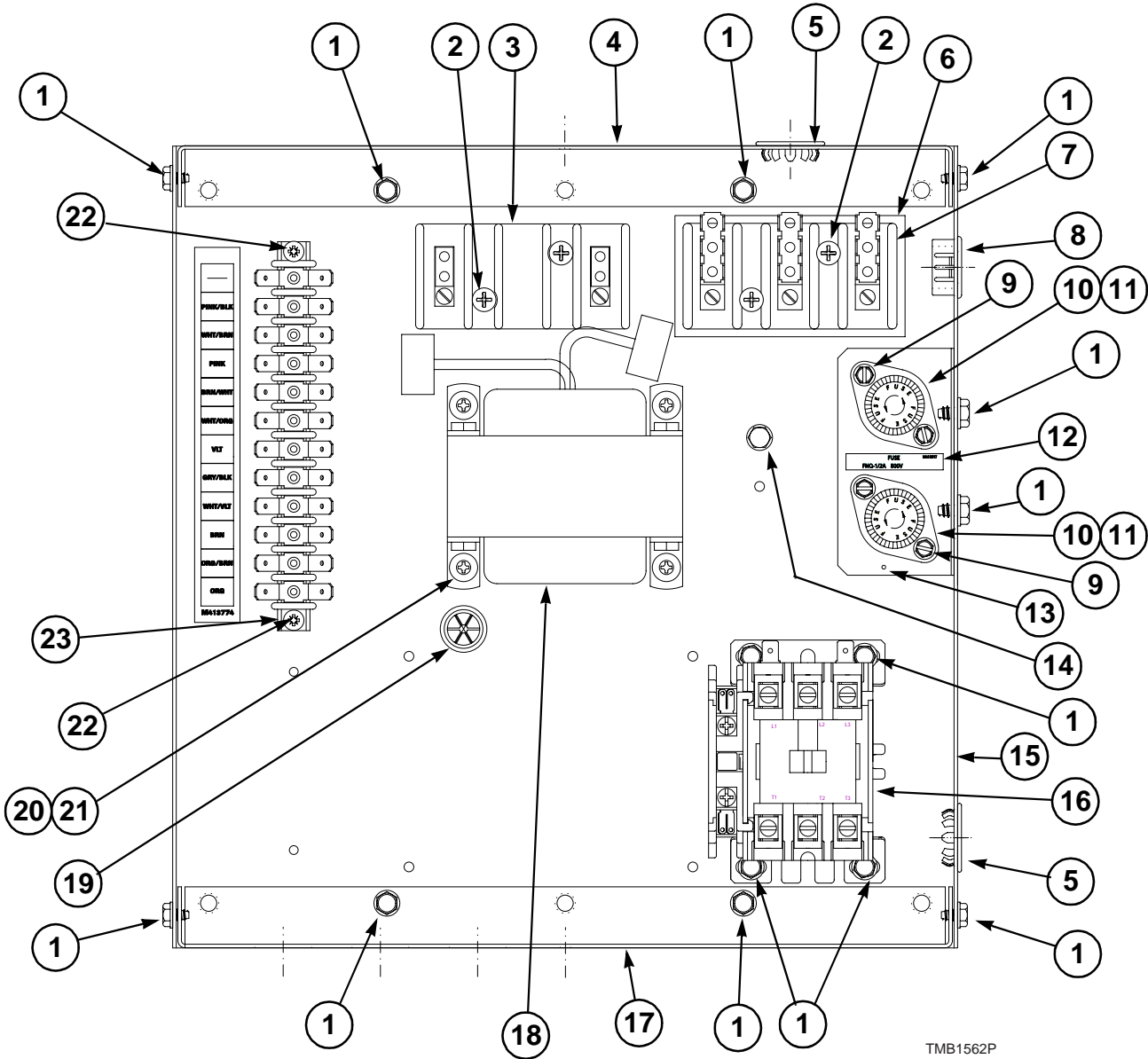
REF	PART #	DESCRIPTION	COMMENTS
	M413506	Jumper Configuration Assembly	208 Volt; Used only on 200-208 Volt/60 Hertz/3 Phase CD, MT, NMC and OM models and 200Volt/50 Hertz/3 Phase CD, NMC and OM models
	M413507	Jumper Configuration Assembly	240 Volt; Used only on 240 Volt/50 Hertz/3 Phase; 240 Volt/60 Hertz/3 Phase CD, MT, NMC and OM models
	M413683	Harness Assembly	Contactor box; 3 Phase
	M413878	Harness Capacitor Network Assembly	OM models
	M413863	Network Capacitor Assembly	OM models
<b>1</b>	51780	Tap Screw	18 required
<b>2</b>	M405824	Screw	4 required
<b>3</b>	M405364	Terminal Block	2 pole
<b>4</b>	M413757	Contactor Box End	Top
<b>5</b>	M400985	Snap In Plug Button	7/8 inch; 2 required
<b>6</b>	M413862	Insulator	
<b>7</b>	430642	Terminal Block	3 pole
<b>8</b>	M400770	Snap Bushing	7/8 inch
<b>9</b>	91024	Fuse Holder	250 Volt; 2 required
<b>10</b>	M413118	Fuse	250 Volt; 2 Amp; 2 required
<b>11</b>	430497	Tap Screw	OM models
<b>12</b>	M413816	Fuse Sticker	2 Amp
<b>13</b>	M413575	Fuse Bracket	
<b>14</b>	M400044	Screw	4 required
<b>15</b>	23951	Keps Nut	4 required
<b>16</b>	M413614	Fan Contactor	
<b>17</b>	M414228	Multitap Transformer	100-240 Volt
<b>18</b>	M413758	Contactor Box End	Bottom
<b>19</b>	M411537	Snap Bushing	5/8 inch
<b>20</b>	44028401	Contactor Box Wrapper	
<b>21</b>	51778	Tap Screw	2 required
<b>22</b>	M413542	Terminal Strip	12 circuit

\* NMC = NC, NR, NX, NY, ZC, ZR, ZX and ZY

# Contactor Box Assembly

Electric Models

380 Volt/ 50 Hertz/ 3 Phase - CD, MT, NMC\*, OM  
 415 Volt/ 50 Hertz/ 3 Phase - CD, MT, NMC\*, OM  
 480 Volt/ 60 Hertz/ 3 Phase - CD, MT, NMC\*, OM



TMB1562P

\* NMC = NC, NR, NX, NY, ZC, ZR, ZX and ZY



# Contactor Box Assembly

Electric Models

380 Volt/ 50 Hertz/ 3 Phase - CD, MT, NMC\*, OM

415 Volt/ 50 Hertz/ 3 Phase - CD, MT, NMC\*, OM

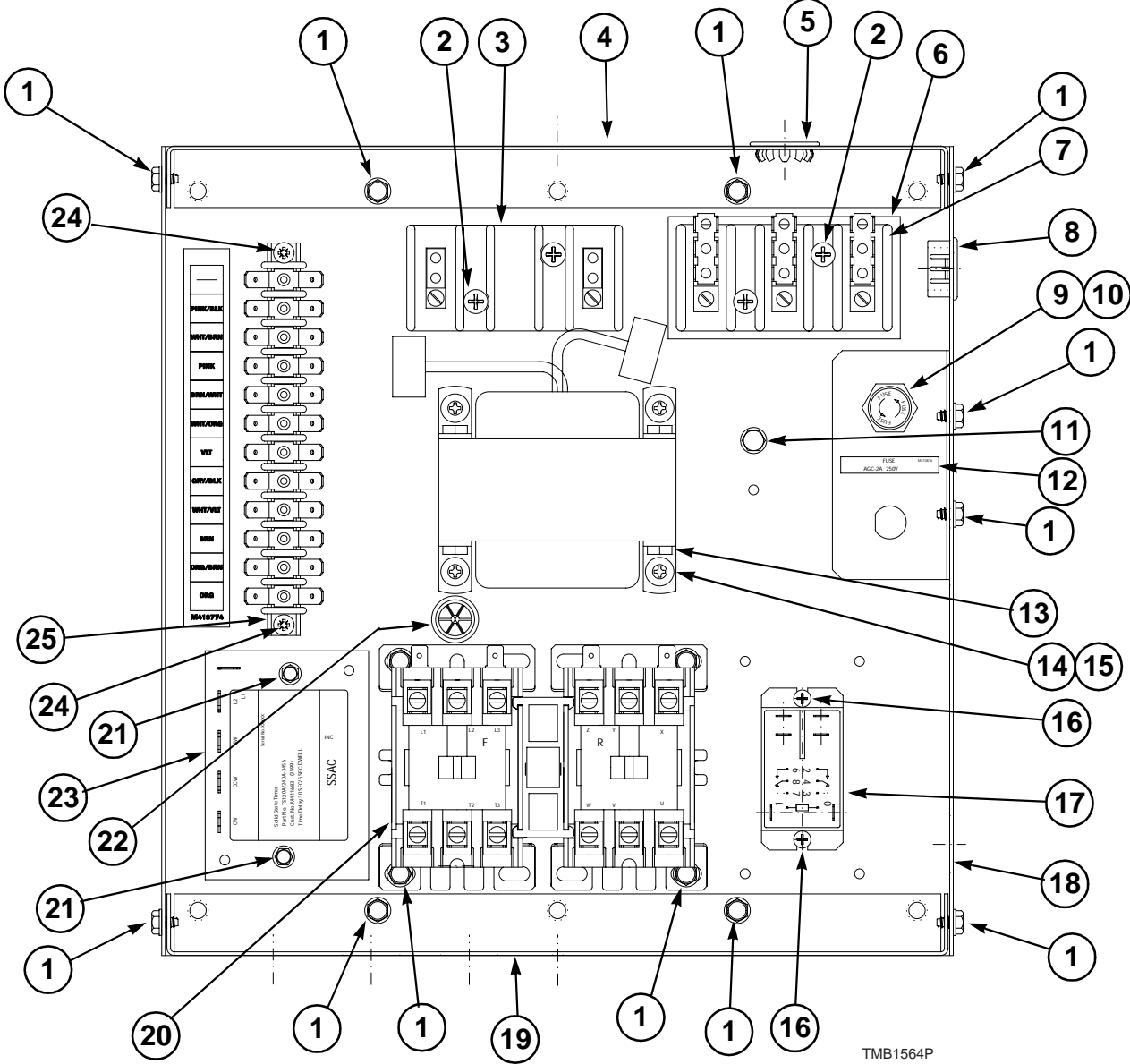
480 Volt/ 60 Hertz/ 3 Phase - CD, MT, NMC\*, OM

REF	PART #	DESCRIPTION	COMMENTS
	M413508	Jumper Configuration Assembly	Used only on 380 Volt/50 Hertz/3 Phase CD, MT, NMC and OM models
	M413509	Jumper Configuration Assembly	Used only on 415 Volt/50 Hertz/3 Phase CD, MT, NMC and OM models
	M413510	Jumper Configuration Assembly	Used only on 480 Volt/60 Hertz/3 Phase CD, MT, NMC and OM models
	M413683	Harness Assembly	Contactor box; 3 Phase
	M413878	Harness Capacitor Network Assembly	OM models
	M413863	Network Capacitor Assembly	OM models
<b>1</b>	51780	Tap Screw	18 required
<b>2</b>	M405824	Screw	4 required
<b>3</b>	M405364	Terminal Block	2 pole
<b>4</b>	M413757	Contactor Box End	Top
<b>5</b>	M400985	Snap In Plug Button	7/8 inch; 2 required
<b>6</b>	M413862	Insulator	
<b>7</b>	430642	Terminal Block	3 pole
<b>8</b>	M400770	Snap Bushing	7/8 inch
<b>9</b>	501086	Tap Screw	4 required
<b>10</b>	M413544	Fuse Holder	600 Volt; 2 required
<b>11</b>	M413621	Fuse	500 Volt-1/2 Amp; 2 required
<b>12</b>	M413817	Fuse Sticker	1/2 Amp
<b>13</b>	M413576	Fuse Bracket	
<b>14</b>	430497	Tap Screw	OM models
<b>15</b>	44028401	Contactor Box Wrapper	
<b>16</b>	M413614	Fan Contactor	
<b>17</b>	M413758	Contactor Box End	Bottom
<b>18</b>	M414229	Multitap Transformer	380-480 Volt
<b>19</b>	M411537	Snap Bushing	5/8 inch
<b>20</b>	M400044	Screw	4 required
<b>21</b>	23951	Keps Nut	4 required
<b>22</b>	51778	Tap Screw	2 required
<b>23</b>	M413542	Terminal Strip	12 circuit

\* NMC = NC, NR, NX, NY, ZC, ZR, ZX and ZY

# Contactor Box Assembly

Electric Models  
 240 Volt/ 50 Hertz/ 1 Phase - RM, RT



TMB1564P

# Contactor Box Assembly

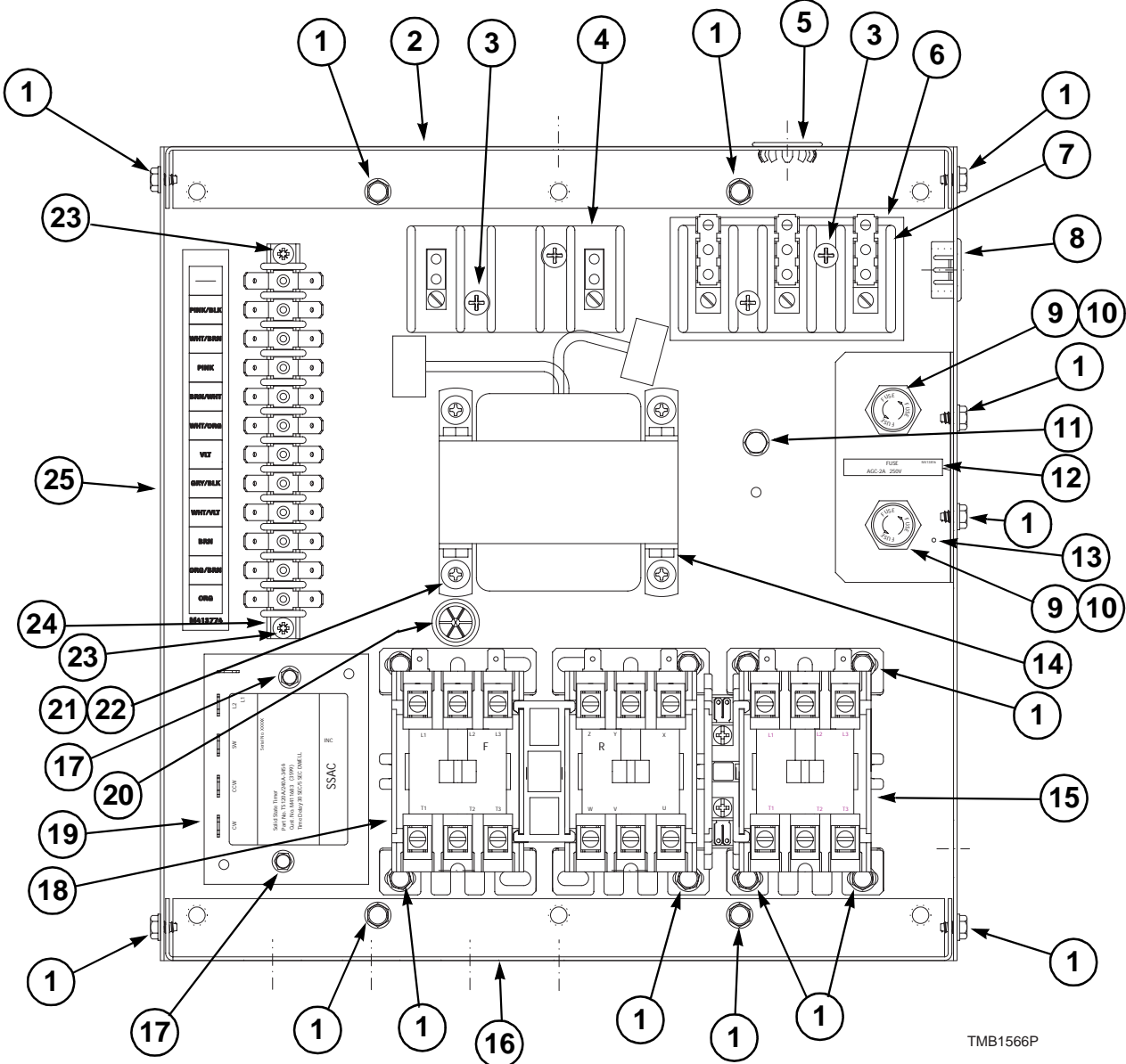
Electric Models  
240 Volt/ 50 Hertz/ 1 Phase - RM, RT

REF	PART #	DESCRIPTION	COMMENTS
	M413507	Jumper Configuration Assembly	240 Volt
	M413575	Fuse Bracket	LV
	44006001	Harness Assembly	Contactor box; 1 Phase; Reversing
	M413168	Jumper Bypass Assembly	RM models
	M413694	Jumper Assembly	Reversing Contactor; 1 Phase; Upper
	M413695	Jumper Assembly	Reversing Contactor; 1 Phase; Lower
	M413878	Harness Capacitor Network Assembly	RM models
	M413863	Network Capacitor Assembly	RM models
	44008001	Reversing Timer Harness Assembly	RT models
1	51780	Tap Screw	18 required
2	M405824	Screw	4 required
3	M405364	Terminal Block	2 pole
4	M413757	Contactor Box End	Top
5	M400985	Snap In Plug Button	7/8 inch
6	M413862	Insulator	
7	430642	Terminal Block	3 pole
8	M400770	Snap Bushing	7/8 inch
9	91024	Fuse Holder	250 Volt
10	M413118	Fuse	250 Volt; 2 Amp
11	430497	Tap Screw	RM models
12	M413816	Fuse Sticker	2 Amp
13	M414228	Multitap Transformer	100-240 Volt
14	M400044	Screw	4 required
15	23951	Keps Nut	4 required
16	51778	Screw	2 required
17	502501	Power Relay	24 Volt
18	44028401	Contactor Box Wrapper	
19	M413758	Contactor Box End	Bottom
20	M413615	Reversing Contactor	
21	M412105	Tap Screw	2 required; RT models
22	M411537	Snap Bushing	5/8 inch
23	M412081	Reversing Timer	24 Volt; RT models
24	51778	Tap Screw	2 required
25	M413542	Terminal Strip	12 circuit

# Contactor Box Assembly

Electric Models

- 200 Volt/ 50 Hertz/ 3 Phase - RM, RT
- 200-208 Volt/ 60 Hertz/ 3 Phase - RM, RT
- 240 Volt/ 50 Hertz/ 3 Phase - RM, RT
- 240 Volt/ 60 Hertz/ 3 Phase - RM, RT



TMB1566P

# Contactor Box Assembly

Electric Models

200 Volt/ 50 Hertz/ 3 Phase - RM, RT  
 200-208 Volt/ 60 Hertz/ 3 Phase - RM, RT  
 240 Volt/ 50 Hertz/ 3 Phase - RM, RT  
 240 Volt/ 60 Hertz/ 3 Phase - RM, RT

REF	PART #	DESCRIPTION	COMMENTS
	M413506	Jumper Configuration Assembly	208 Volt; Used only on 200-208 Volt/60 Hertz/3 Phase and 200Volt/50 Hertz/3 Phase RM and RT models
	M413507	Jumper Configuration Assembly	240 Volt; Used only on 240 Volt/50 Hertz/3 Phase and 240 Volt/60 Hertz/3 Phase RM and RT models
	M413684	Harness Assembly	Contactorm box; 3 Phase; Reversing
	M413168	Jumper Assembly	Bypass; RM models
	M413624	Jumper Assembly	Reversing contactor; 3 Phase; Upper
	M413625	Jumper Assembly	Reversing contactor; 3 Phase; Lower
	M413878	Harness Capacitor Network Assembly	RM models
	M413863	Network Capacitor Assembly	RM models
	44008001	Harness Assembly	RT models
<b>1</b>	51780	Tap Screw	22 required
<b>2</b>	M413757	Contactorm Box End	Top
<b>3</b>	M405824	Screw	4 required
<b>4</b>	M405364	Terminal Block	2 pole
<b>5</b>	M400985	Snap In Plug Button	7/8 inch
<b>6</b>	M413862	Insulator	
<b>7</b>	430642	Terminal Block	3 pole
<b>8</b>	M400770	Snap Bushing	7/8 inch
<b>9</b>	91024	Fuse Holder	250 Volt; 2 required
<b>10</b>	M413118	Fuse	250 Volt; 2 Amp; 2 required
<b>11</b>	430497	Tap Screw	RM models
<b>12</b>	M413816	Fuse Sticker	2 Amp
<b>13</b>	M413575	Fuse Bracket	
<b>14</b>	M414228	Multitap Transformer	100-240 Volt
<b>15</b>	M413614	Fan Contactorm	
<b>16</b>	M413758	Contactorm Box End	Bottom
<b>17</b>	M412105	Tap Screw	2 required; RT models
<b>18</b>	M413615	Reversing Contactorm	
<b>19</b>	M412081	Reversing Timer	24 Volt; RT models
<b>20</b>	M411537	Snap Bushing	5/8 inch
<b>21</b>	M400044	Screw	4 required
<b>22</b>	23951	Keps Nut	4 required
<b>23</b>	51778	Tap Screw	2 required
<b>24</b>	M413542	Terminal Strip	12 circuit
<b>25</b>	44028401	Contactorm Box Wrapper	

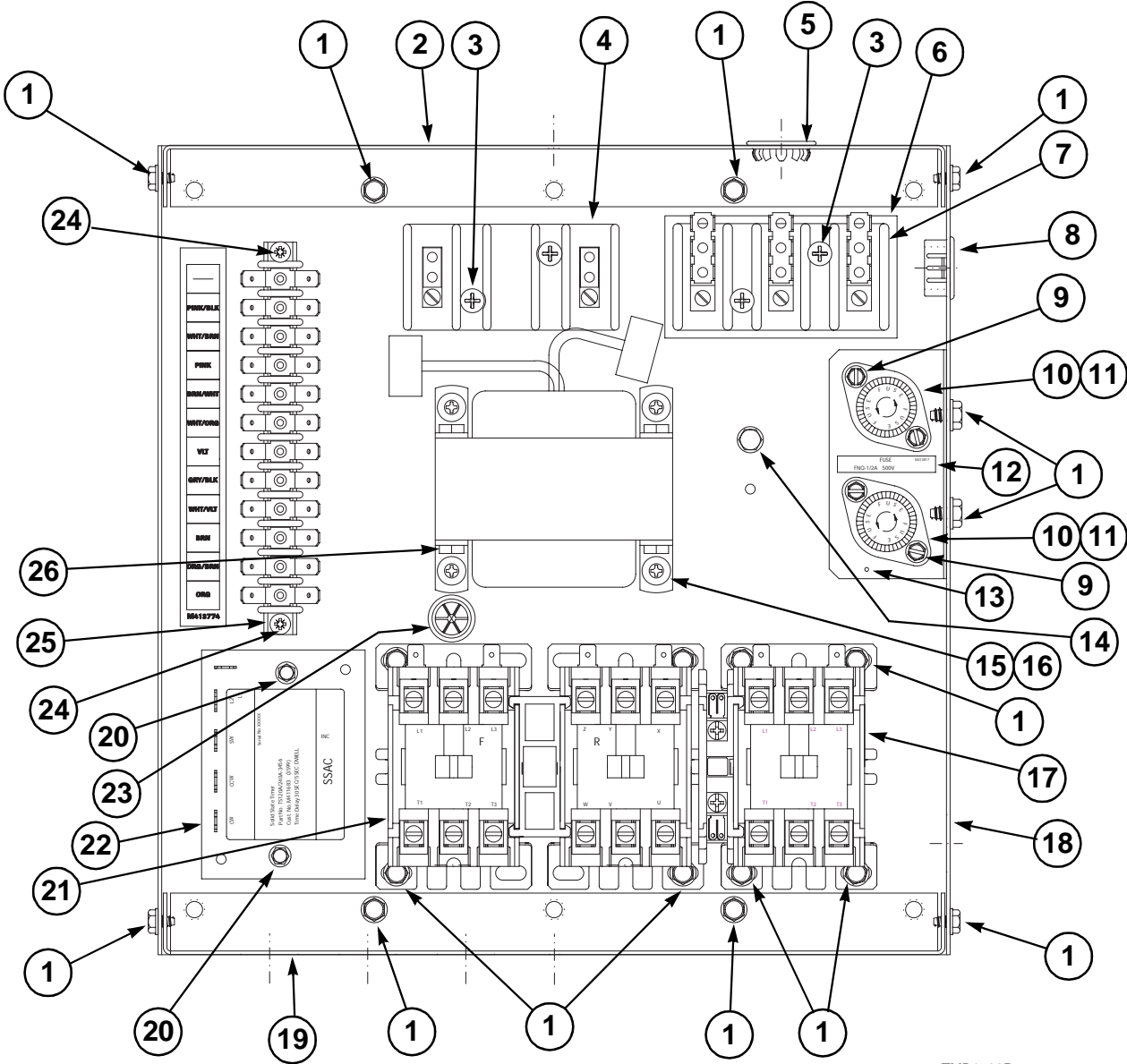
# Contactor Box Assembly

Electric Models

380 Volt/ 50 Hertz/ 3 Phase - RM, RT

415 Volt/ 50 Hertz/ 3 Phase - RM, RT

480 Volt/ 60 Hertz/ 3 Phase - RM, RT



TMB1568P

# Contactor Box Assembly

Electric Models

380 Volt/ 50 Hertz/ 3 Phase - RM, RT

415 Volt/ 50 Hertz/ 3 Phase - RM, RT

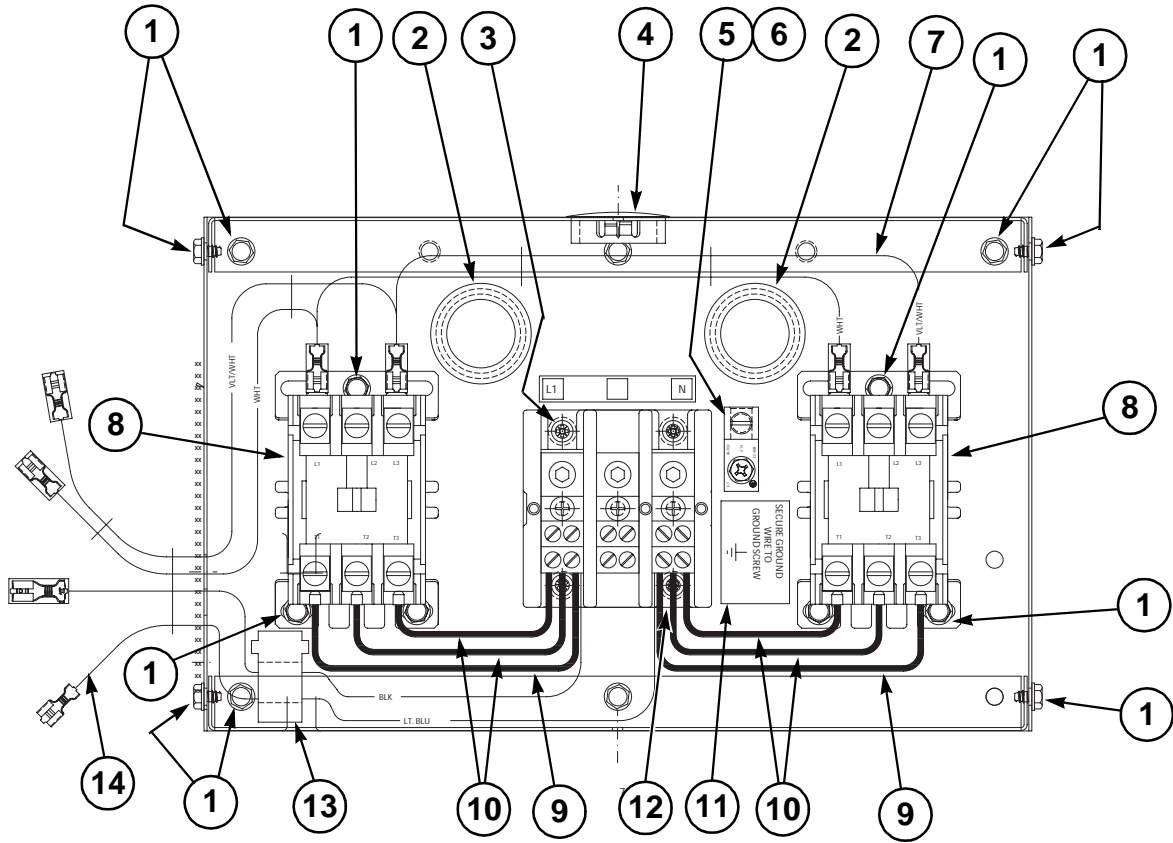
480 Volt/ 60 Hertz/ 3 Phase - RM, RT

REF	PART #	DESCRIPTION	COMMENTS
	M413508	Jumper Configuration Assembly	Used only on 380 Volt/50 Hertz/3 Phase RM and RT models
	M413509	Jumper Configuration Assembly	Used only on 415 Volt/50 Hertz/3 Phase RM and RT models
	M413510	Jumper Configuration Assembly	Used only on 480 Volt/60 Hertz/3 Phase RM and RT models
	M413684	Harness Assembly	Contactor box; 3 Phase; Reversing
	M413168	Jumper Bypass Assembly	RM models
	M413624	Jumper Assembly	Reversing Contactor; 3 Phase; Upper
	M413625	Jumper Assembly	Reversing Contactor; 3 Phase; Lower
	M413878	Harness Capacitor Network Assembly	RM models
	M413863	Network Capacitor Assembly	RM models
	44008001	Reverse Timer Harness Assembly	RT models
1	51780	Tap Screw	22 required
2	M413757	Contactor Box End	Top
3	M405824	Screw	4 required
4	M405364	Terminal Block	2 pole
5	M400985	Snap In Plug Button	7/8 inch
6	M413862	Insulator	
7	430642	Terminal Block	3 pole
8	M400770	Snap Bushing	7/8 inch
9	501086	Tap Screw	4 required
10	M413544	Fuse Holder	600 Volt; 2 required
11	M413621	Fuse	500 Volt-1/2 Amp; 2 required
12	M413817	Fuse Sticker	1/2 Amp
13	M413576	Fuse Bracket	
14	430497	Tap Screw	RM models
15	M400044	Screw	4 required
16	23951	Keps Nut	4 required
17	M413614	Fan Contactor	
18	44028401	Contactor Box Wrapper	
19	M413758	Contactor Box End	Bottom
20	M412105	Tap Screw	2 required; RT models
21	M413615	Reversing Contactor	
22	M412081	Reversing Timer	24 Volt; RT models
23	M411537	Snap Bushing	5/8 inch
24	51778	Tap Screw	2 required
25	M413542	Terminal Strip	12 circuit
26	M414229	Multitap Transformer	380-480 Volt

# Accessory Box Assembly

Electric Models

240 Volt/ 50 Hertz/ 1 Phase - CD, MT, NMC\*, OM, RM, RT



\* NMC = NC, NR, NX, NY, ZC, ZR, ZX and ZY



# Accessory Box Assembly

Electric Models

240 Volt/ 50 Hertz/ 1 Phase - CD, MT, NMC\*, OM, RM, RT

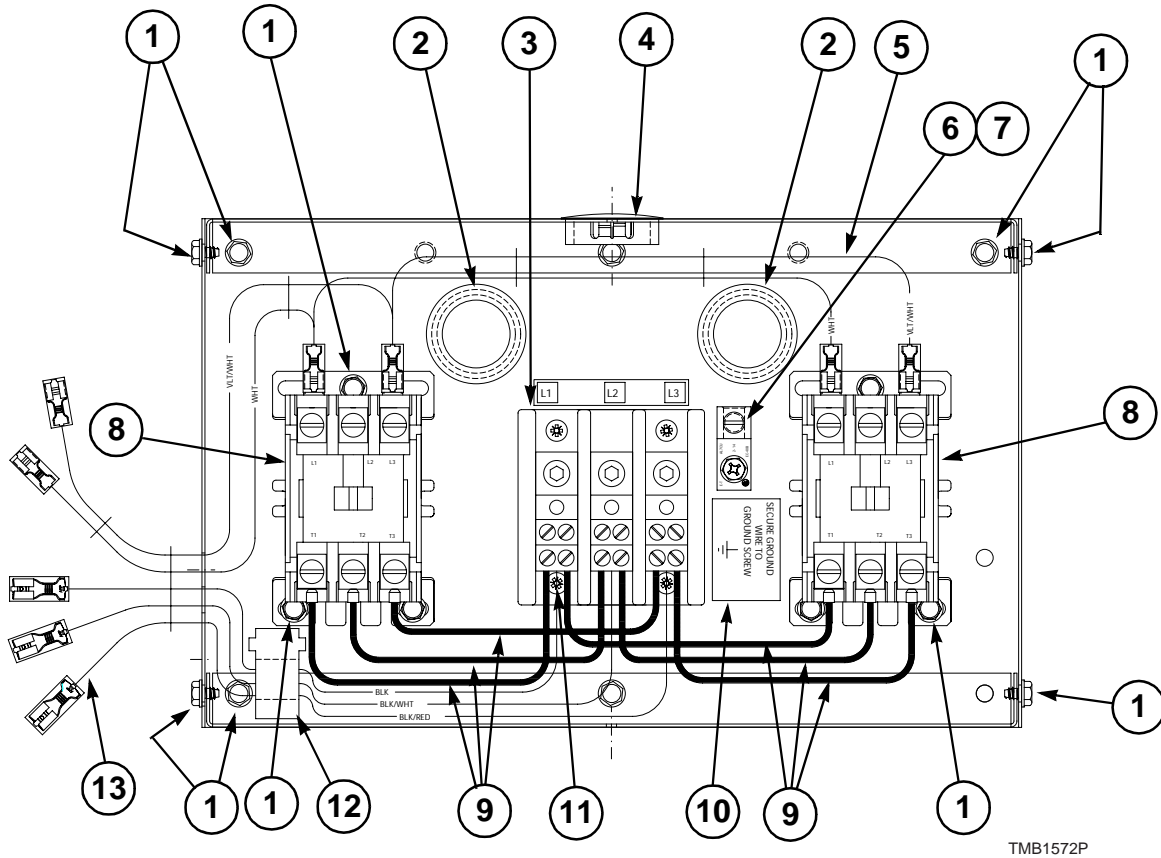
REF	PART #	DESCRIPTION	COMMENTS
1	51780	Tap Screw	18 required
2	M402542	Snap Bushing	1 3/8 inch; 2 required
3	32671	Tap Screw	4 required
4	M413968	Hole Plug	1 3/8 inch
5	M402917	Ground Screw	
6	M411283	Ground Lug Connector	
7	M413883	Harness Jumper Set Assembly	
8	M413616	Contactora	2 required
9	M413934	Jumper Cable Assembly	2 required
10	M413933	Jumper Cable Assembly	4 required
11	M403047	Ground Marker	Electrical
12	M413865	Power Distribution Block	3 pole
13	M413930	Core Ferrite Assembly	OM and RM models
14	M413932	Harness Accessory Box Assembly	1 Phase

\* NMC = NC, NR, NX, NY, ZC, ZR, ZX and ZY

# Accessory Box Assembly

Electric Models

200 Volt/ 50 Hertz/ 3 Phase - CD, MT, NMC\*, OM, RM, RT  
 200-208Volt/ 60 Hertz/ 3 Phase - CD, MT, NMC\*, OM, RM, RT  
 240 Volt/ 50 Hertz/ 3 Phase - CD, MT, NMC\*, OM, RM, RT  
 240 Volt/ 60 Hertz/ 3 Phase - CD, MT, NMC\*, OM, RM, RT



\* NMC = NC, NR, NX, NY, ZC, ZR, ZX and ZY

# Accessory Box Assembly

Electric Models

200 Volt/ 50 Hertz/ 3 Phase - CD, MT, NMC\*, OM, RM, RT  
 200-208Volt/ 60 Hertz/ 3 Phase - CD, MT, NMC\*, OM, RM, RT  
 240 Volt/ 50 Hertz/ 3 Phase - CD, MT, NMC\*, OM, RM, RT  
 240 Volt/ 60 Hertz/ 3 Phase - CD, MT, NMC\*, OM, RM, RT

REF	PART #	DESCRIPTION	COMMENTS
1	51780	Tap Screw	18 required
2	M402542	Snap Bushing	1 3/8 inch; 2 required
3	M413865	Power Distribution Block	3 pole
4	M413968	Hole Plug	1 3/8 inch
5	M413883	Harness Jumper Set Assembly	
6	M402917	Ground Screw	
7	M411283	Ground Lug Connector	
8	M413616	Contactora	2 required
9	M413933	Jumper Cable Assembly	6 required
10	M403047	Ground Marker	Electrical
11	32671	Tap Screw	4 required
12	M413930	Core Ferrite Assembly	OM and RM models
13	M413696	Harness Accessory Box Assembly	3 Phase

\* NMC = NC, NR, NX, NY, ZC, ZR, ZX and ZY

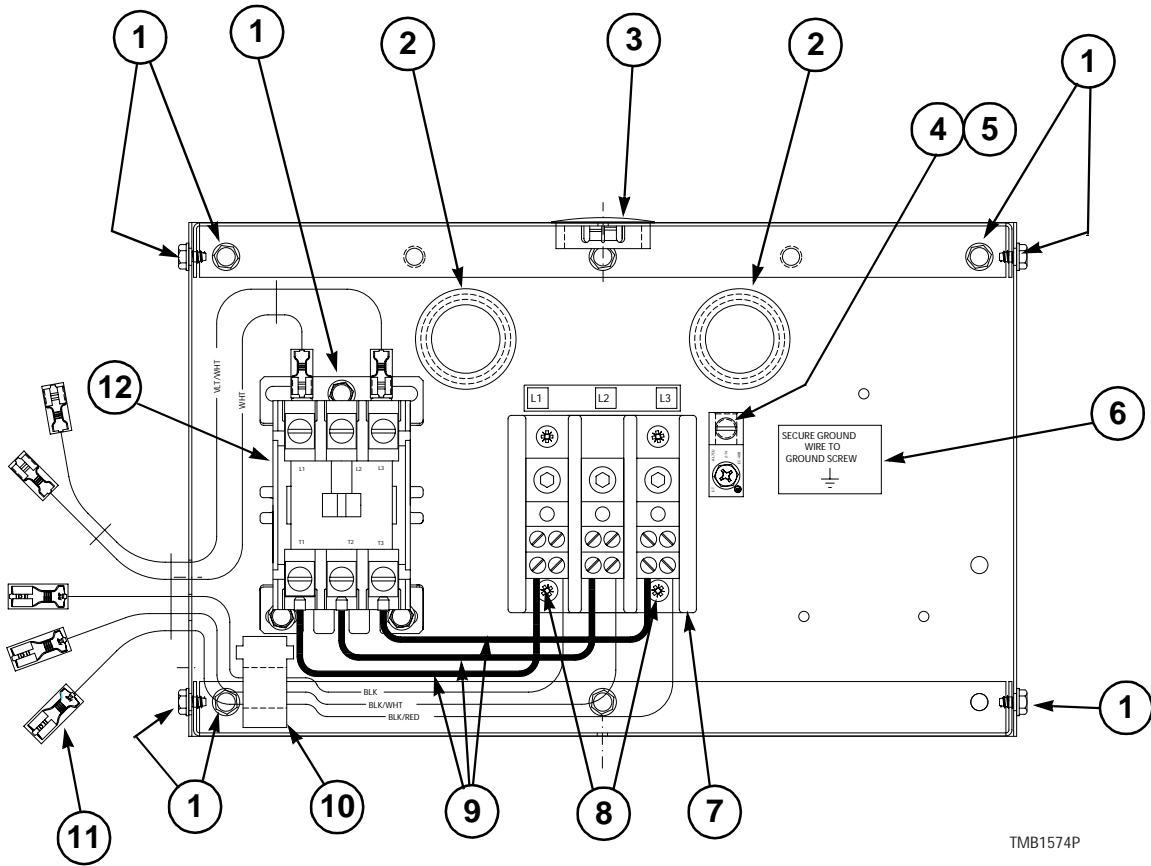
# Accessory Box Assembly

Electric Models

380 Volt/ 50 Hertz/ 3 Phase - CD, MT, NMC\*, OM, RM, RT

415 Volt/ 50 Hertz/ 3 Phase - CD, MT, NMC\*, OM, RM, RT

480 Volt/ 60 Hertz/ 3 Phase - CD, MT, NMC\*, OM, RM, RT



\* NMC = NC, NR, NX, NY, ZC, ZR, ZX and ZY

# Accessory Box Assembly

Electric Models

380 Volt/ 50 Hertz/ 3 Phase - CD, MT, NMC\*, OM, RM, RT

415 Volt/ 50 Hertz/ 3 Phase - CD, MT, NMC\*, OM, RM, RT

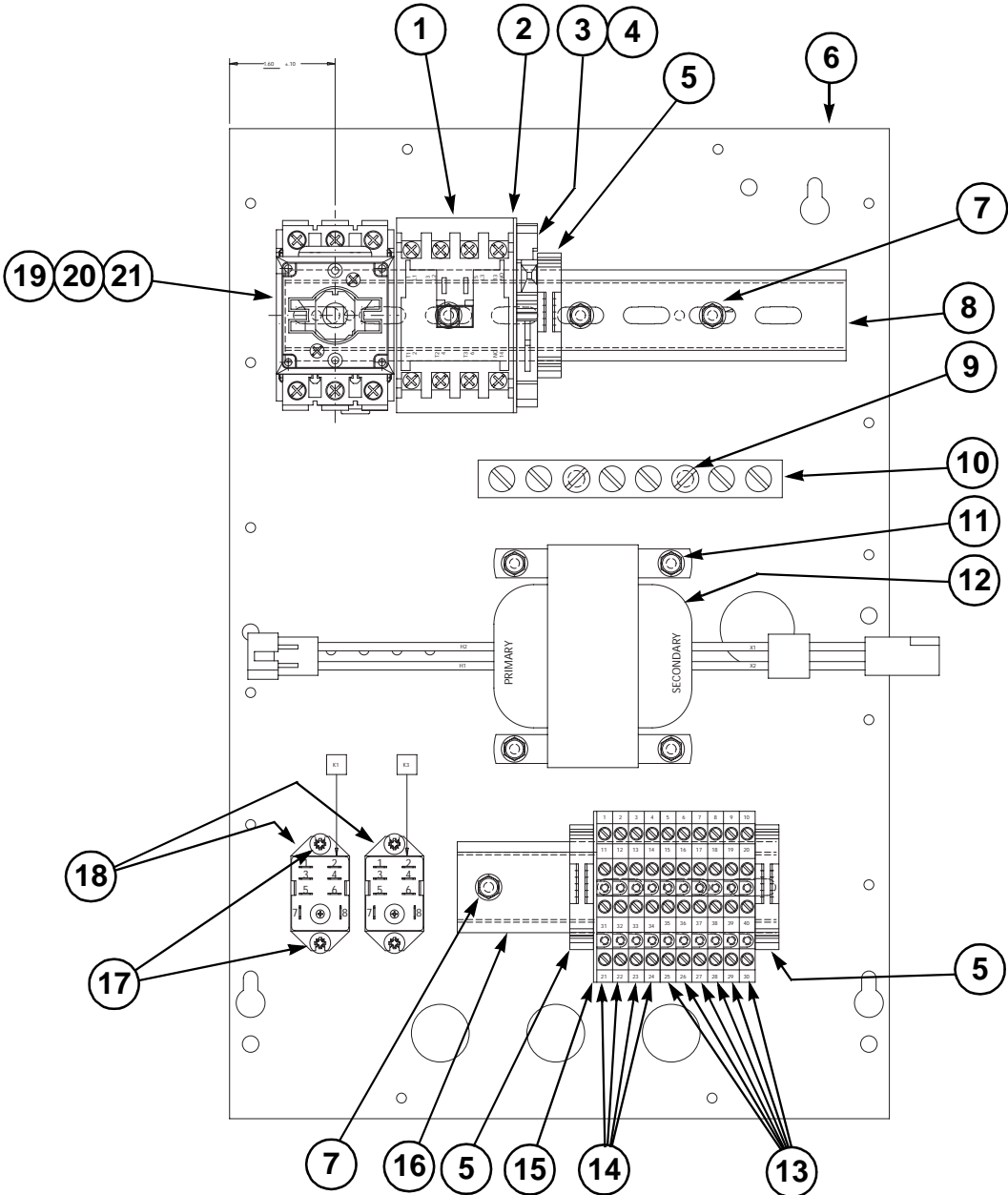
480 Volt/ 60 Hertz/ 3 Phase - CD, MT, NMC\*, OM, RM, RT

REF	PART #	DESCRIPTION	COMMENTS
1	51780	Tap Screw	15 required
2	M402542	Snap Bushing	1 3/8 inch; 2 required
3	M413968	Hole Plug	1 3/8 inch
4	M402917	Ground Screw	
5	M411283	Ground Lug Connector	
6	M403047	Ground Marker	Electrical
7	M413865	Power Distribution Block	3 pole
8	32671	Tap Screw	4 required
9	M413933	Jumper Cable Assembly	3 required
10	M413930	Core Ferrite Assembly	OM and RM models
11	M413696	Harness Accessory Box Assembly	3 Phase
12	M413616	Contactor	

\* NMC = NC, NR, NX, NY, ZC, ZR, ZX and ZY

# Contactor Box Assembly

EU Gas Models  
230 Volt/ 50 Hertz/ 1 Phase - MT



TMB1576P

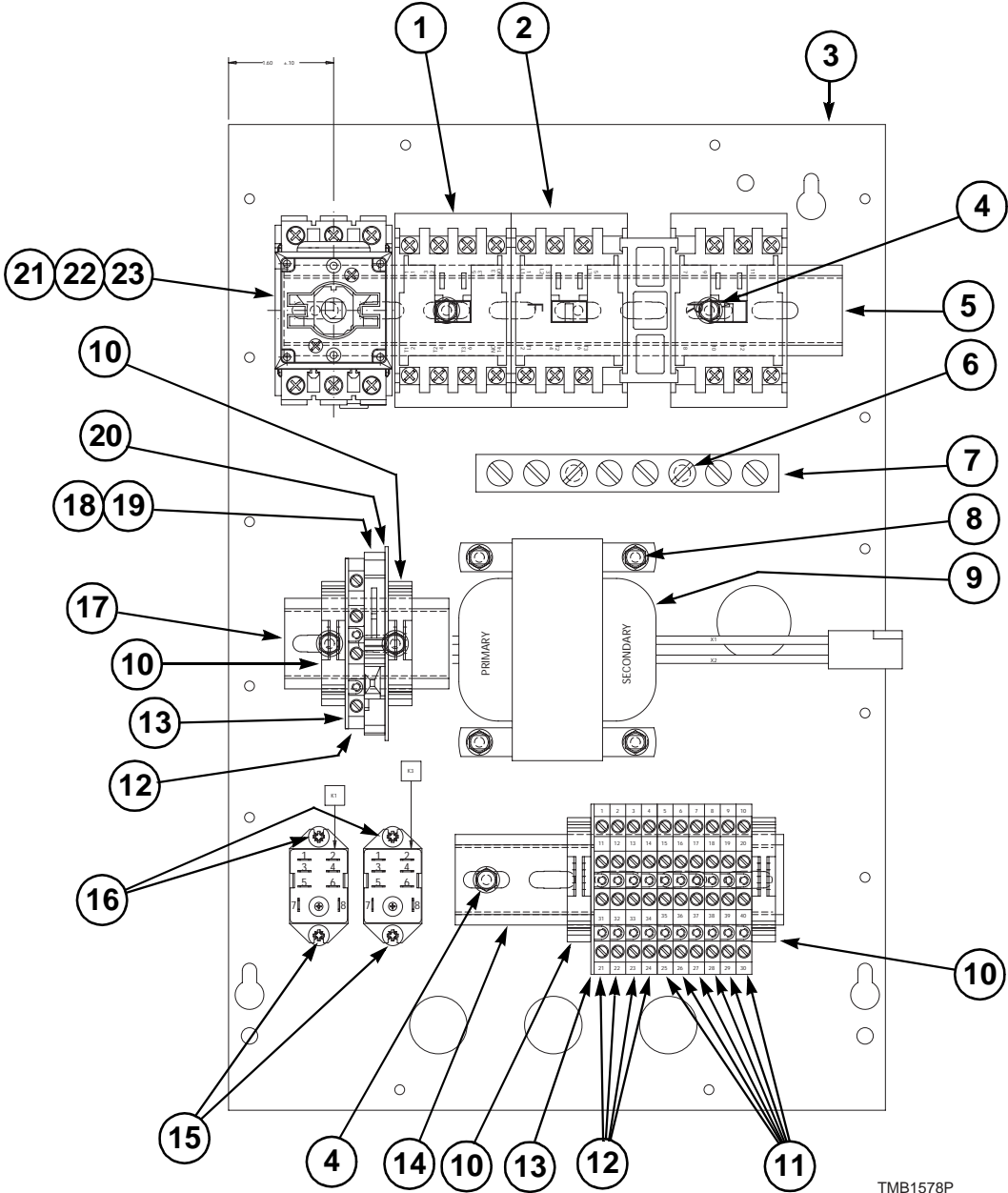
# Contactor Box Assembly

EU Gas Models  
230 Volt/ 50 Hertz/ 1 Phase - MT

REF	PART #	DESCRIPTION	COMMENTS
	M412636	Relay Harness	K1, K2, K3
	M412641	Transformer Harness	Secondary
	M412642	Transformer Harness	Primary; 240 Volt
	M412644	Harness Jumper Assembly	240 Volt; Junction box
1	M412404	Motor Contactor	9 Amp
2	M412540	End Section	
3	M412537	Fuse Holder	230 Volt primary
4	502593	Fuse	
5	70121001	End Stop	230 Volt; 3 required
6	M412648	Junction Box	Bottom
7	51780	Screw	5 required
8	M412689	Din Rail	
9	M412688	Hex Nut	2 required
10	M412656	Ground Buss	
11	33562	Screw	4 required
12	M412477	Transformer	230 Volt
13	M412631	Terminal Block	2 circuit; 6 required
14	M412632	Terminal Block	1 circuit; 4 required
15	M412633	End Barrier	
16	M412772	Din Rail	
17	501086	Screw	4 required
18	M412534	Relay	2 required
19	M412187	Base Mounting Switch	20 Amp
20	M412366	Finger Guard	20 Amp
21	M412370	Extension Handle	20 Amp; With screws

# Contactor Box Assembly

EU Gas and Steam Models  
230 Volt/ 50 Hertz/ 1 Phase - RT



TMB1578P



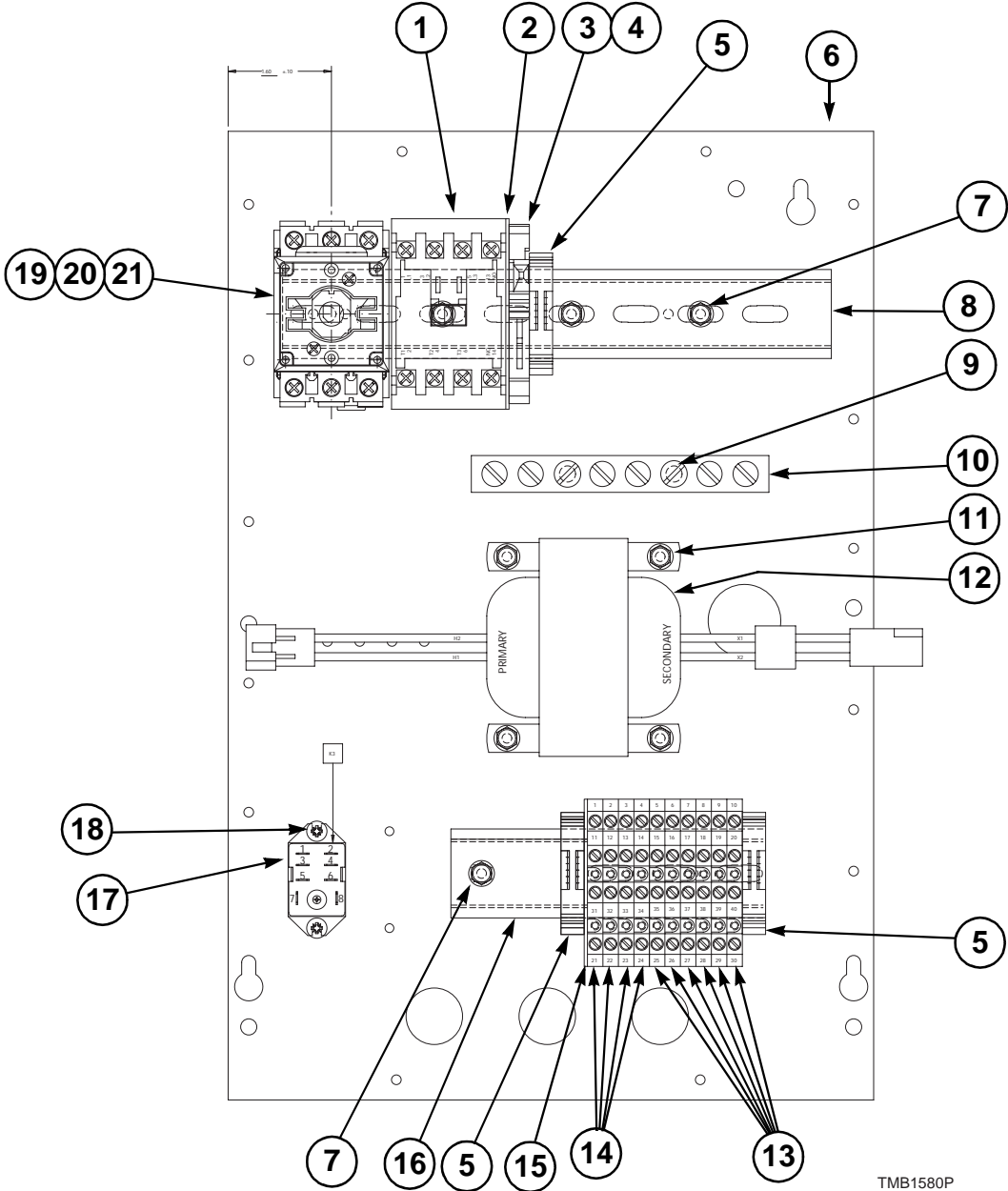
# Contactor Box Assembly

EU Gas and Steam Models  
230 Volt/ 50 Hertz/ 1 Phase - RT

REF	PART #	DESCRIPTION	COMMENTS
	M412636	Relay Harness	Gas models
	M412641	Transformer Harness	Secondary
	M412642	Transformer Harness	Primary; 240 Volt
	M412644	Jumper Harness	240 Volt/1 Phase; Junction box
	M412707	Relay Harness	Steam models
	M412926	Reversing Contactor Jumper	1 Phase; Upper
	M412927	Reversing Contactor Jumper	1 Phase; Lower
	M412930	Reversing Timer Harness	Junction box
<b>1</b>	M412404	Contactor Motor	9 Amp
<b>2</b>	M412405	Reversing Contactor	
<b>3</b>	M412648	Junction Box	Bottom
<b>4</b>	51780	Screw	6 required
<b>5</b>	M412689	Din Rail	
<b>6</b>	M412688	Hex Nut	2 required
<b>7</b>	M412656	Ground Buss	
<b>8</b>	33562	Screw	4 required
<b>9</b>	M412477	Transformer	230 Volt
<b>10</b>	70121001	End Stop	230 Volt; 4 required
<b>11</b>	M412631	Terminal Block	2 circuit; 6 required
<b>12</b>	M412632	Terminal Block	1 circuit; 5 required
<b>13</b>	M412633	End Barrier	2 required
<b>14</b>	M412772	Din Rail	
<b>15</b>	501086	Screw	2 required for steam models 4 required for gas models
<b>16</b>	M412534	Relay	1 required for steam models; 2 required for gas models
<b>17</b>	M412771	Din Rail	
<b>18</b>	M412537	Fuse Holder	230 Volt primary
<b>19</b>	502593	Fuse	250 Volt
<b>20</b>	M412540	End Section	
<b>21</b>	M412187	Base Mounting Switch	20 Amp
<b>22</b>	M412366	Finger Guard	20 Amp
<b>23</b>	M412370	Extension Handle	20 Amp

# Contactor Box Assembly

EU Gas Models  
230 Volt/ 50 Hertz/ 1 Phase - CD



TMB1580P

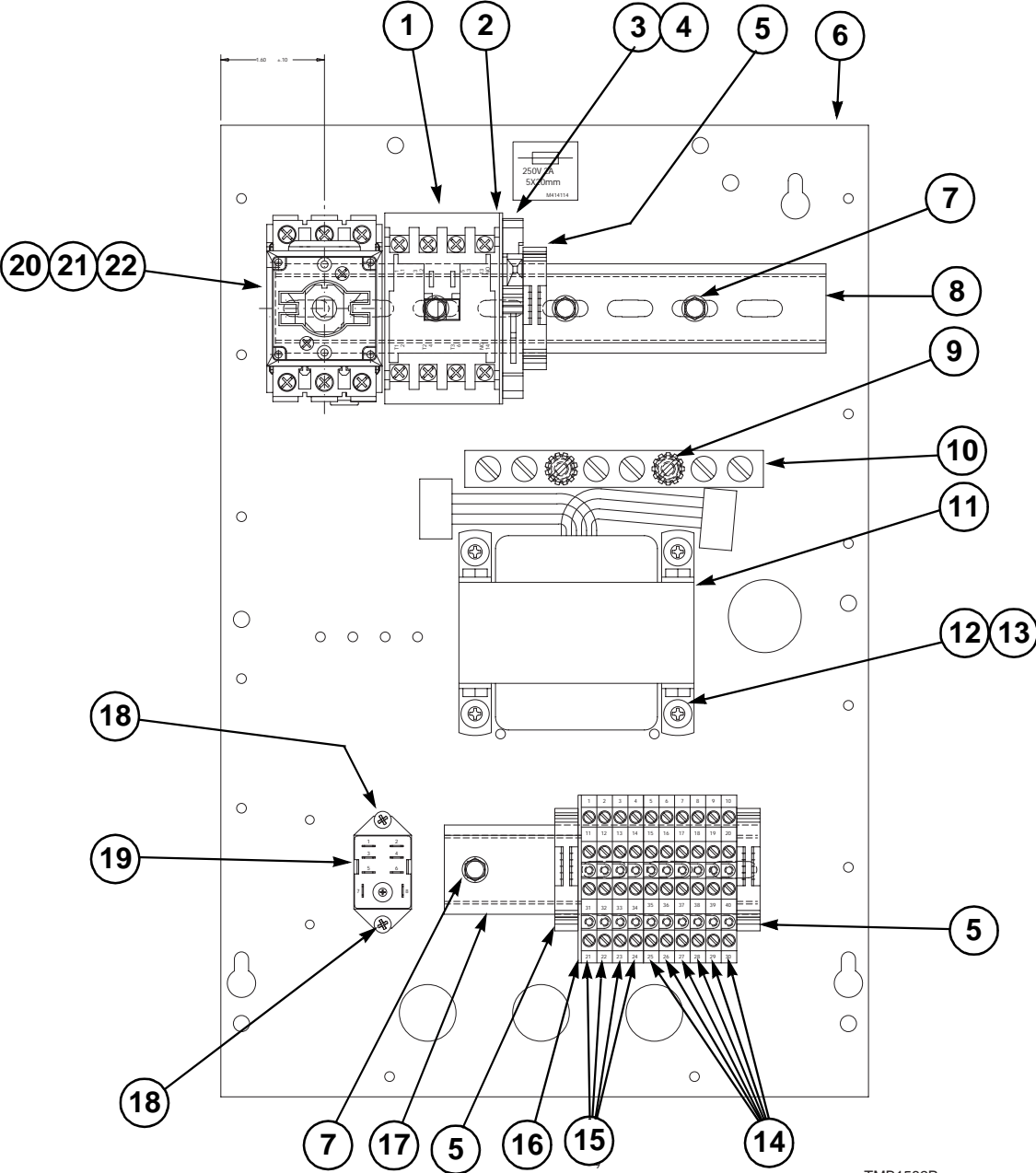
# Contactor Box Assembly

EU Gas Models  
230 Volt/ 50 Hertz/ 1 Phase - CD

REF	PART #	DESCRIPTION	COMMENTS
	M412639	Relay Harness	K2, K3; 4 required
	M412641	Transformer Harness	Secondary
	M412642	Transformer Harness	Primary; 240 Volt
	M412644	Harness Jumper Assembly	240 Volt; Junction box
1	M412404	Motor Contactor	9 Amp
2	M412540	End Section	
3	M412537	Fuse Holder	230 Volt; Primary
4	502593	Fuse	
5	70121001	End Stop	230 Volt; 3 required
6	M412648	Junction Box	Bottom
7	51780	Screw	5 required
8	M412689	Din Rail	
9	M412688	Hex Nut	2 required
10	M412656	Ground Buss	
11	33562	Screw	
12	M412477	Transformer	230 Volt
13	M412631	Terminal Block	2 circuit; 6 required
14	M412632	Terminal Block	1 circuit; 4 required
15	M412633	End Barrier	
16	M412772	Din Rail	
17	M412534	Relay	
18	501086	Screw	2 required
19	M412187	Base Mounting Switch	20 Amp
20	M412366	Finger Guard	20 Amp
21	M412370	Extension Handle	20 Amp

# Contactor Box Assembly

EU Gas and Steam Models  
 230 Volt/ 50 Hertz/ 1 Phase - NMC\*, OM



TMB1582P

\* NMC = NC, NR, NX, NY, ZC, ZR, ZX and ZY

# Contactor Box Assembly

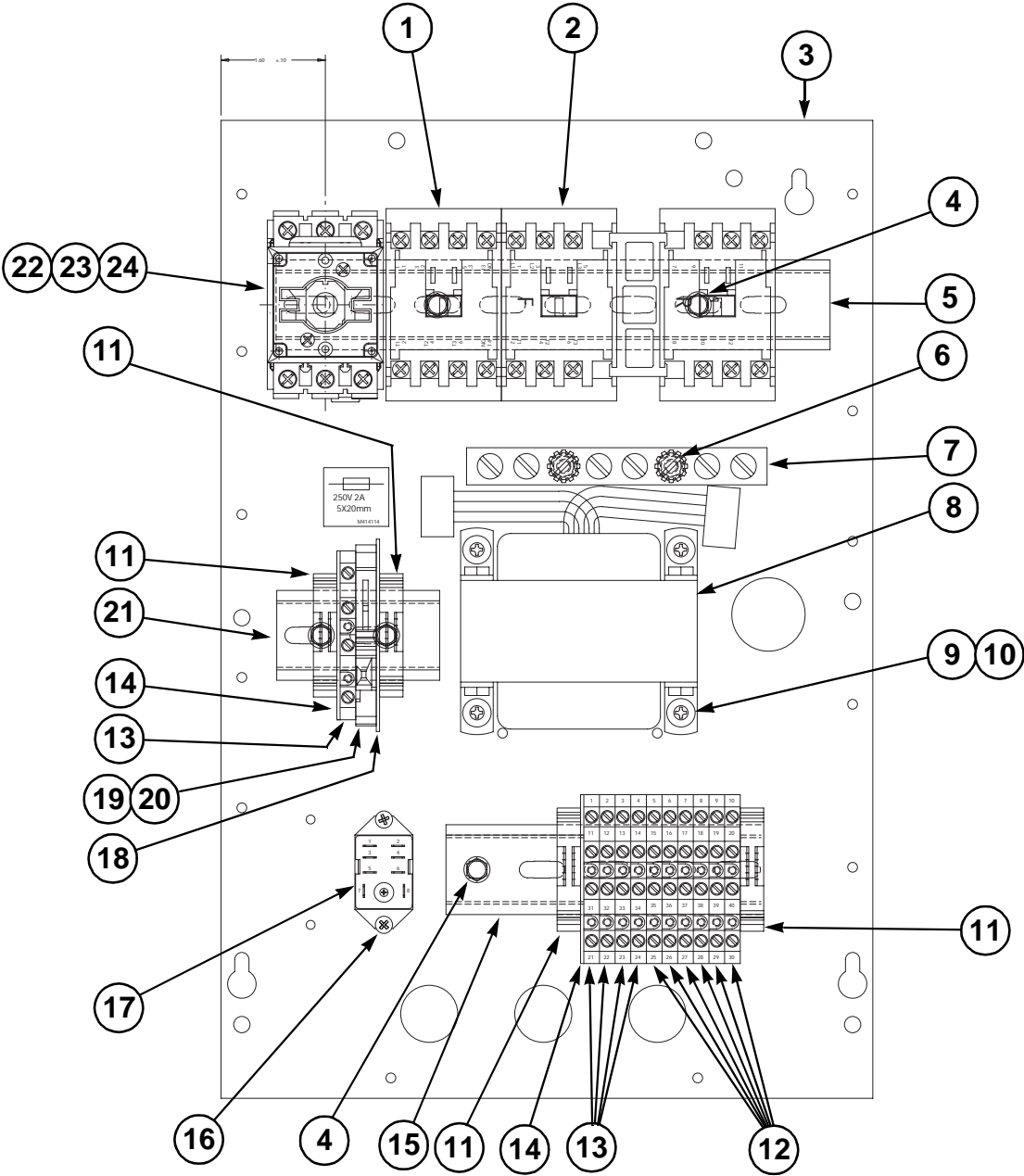
EU Gas and Steam Models  
230 Volt/ 50 Hertz/ 1 Phase - NMC\*, OM

REF	PART #	DESCRIPTION	COMMENTS
	M413507	Jumper Configuration Assembly	240 Volt; Gas OM models; Steam NMC and OM models
	M413863	Capacitor Network Assembly	Gas OM models; Steam NMC and OM models
	M414224	Harness Relay Assembly	Gas OM models
	M414032	Harness Relay Assembly	Steam NMC and OM models
	M414076	Harness Transformer Assembly	Primary; 1 Phase; OM models
	M414029	Harness Transformer Assembly	Secondary; OM models
	M412644	Harness Jumper Assembly	Junction box
	44010701	Harness Relay Assembly	Gas NMC models
	M412644	Harness Jumper Assembly	Junction box; Gas NMC models
<b>1</b>	M412404	Motor Contactor	9 Amp
<b>2</b>	M412540	End Section	
<b>3</b>	M412537	Fuse Holder	230 Volt; Primary
<b>4</b>	M413867	Fuse	2 Amp/250 Volt
<b>5</b>	70121001	End Stop	230 Volt; 3 required
<b>6</b>	M412648	Junction Box	Bottom
<b>7</b>	51780	Screw	5 required
<b>8</b>	M412689	Din Rail	
<b>9</b>	M412688	Hex Nut	2 required
<b>10</b>	M412656	Ground Buss	
<b>11</b>	M414228	Multitap Transformer	100-240
<b>12</b>	M400044	Screw	4 required
<b>13</b>	23951	Keps Nut	4 required
<b>14</b>	M412631	Terminal Block	2 circuit; 6 required
<b>15</b>	M412632	Terminal Block	1 circuit; 4 required
<b>16</b>	M412633	End Barrier	
<b>17</b>	M412772	Din Rail	
<b>18</b>	M400071	Screw	2 required; Gas OM models
<b>19</b>	M412534	Relay	24 Volt; Gas OM models
<b>20</b>	M412187	Base Mounting Switch	20 Amp
<b>21</b>	M412366	Finger Guard	20 Amp
<b>22</b>	M412370	Extension Handle	20 Amp

\* NMC = NC, NR, NX, NY, ZC, ZR, ZX and ZY

# Contactor Box Assembly

EU Gas and Steam Models  
230 Volt/ 50 Hertz/ 1 Phase - RM



TMB1584P

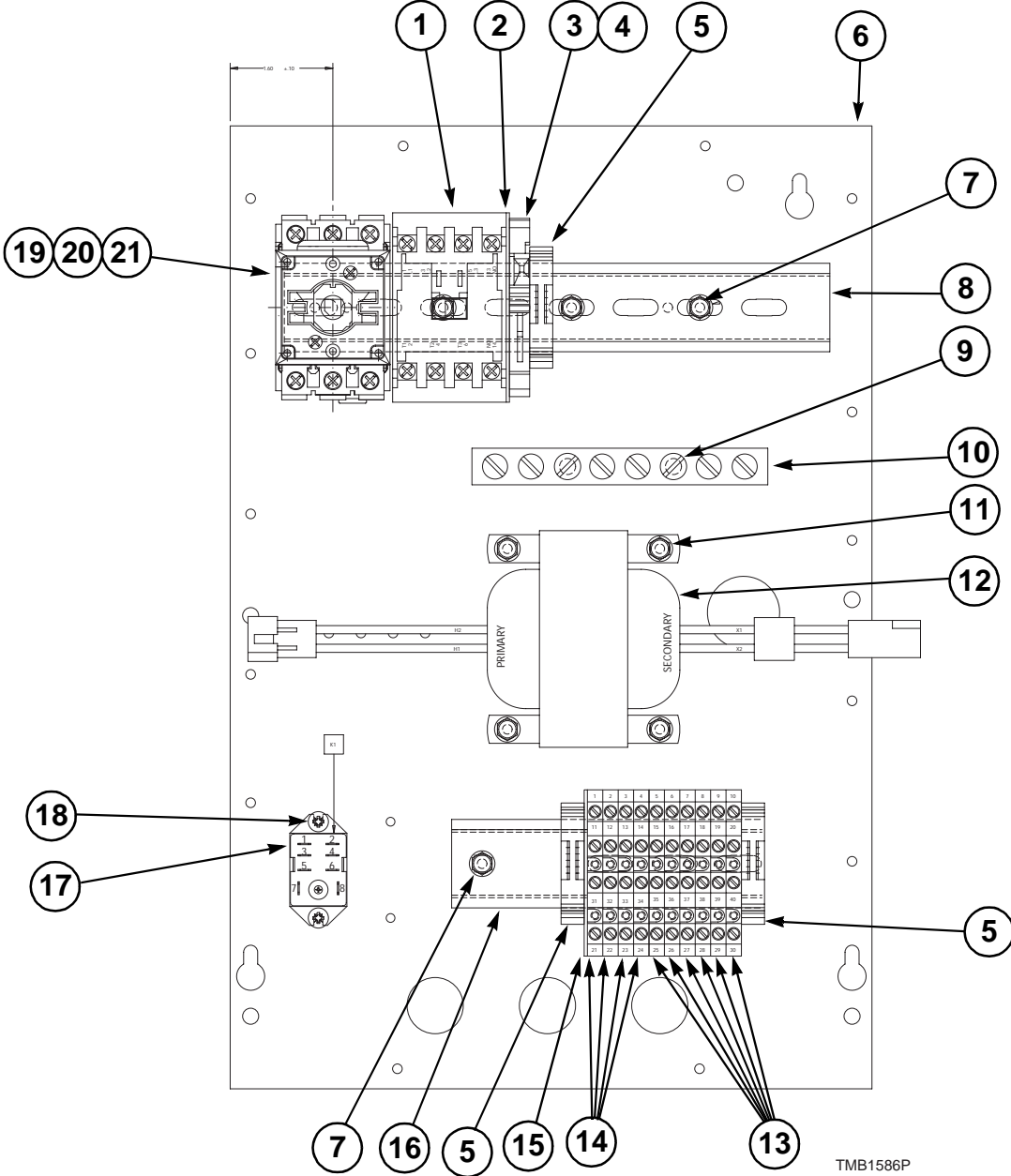
# Contactor Box Assembly

EU Gas and Steam Models  
230 Volt/ 50 Hertz/ 1 Phase - RM

REF	PART #	DESCRIPTION	COMMENTS
	M414224	Harness Relay Assembly	Gas models
	M414032	Harness Relay Assembly	Steam models
	M414076	Harness Transformer Assembly	Primary; 1 Phase;
	M414029	Harness Transformer Assembly	Secondary
	M412644	Jumper Harness	240 Volt/1 Phase; Junction box
	M413507	Jumper Configuration Assembly	240 Volt
	M412926	Reversing Contactor Jumper	1 Phase; Upper
	M412927	Reversing Contactor Jumper	1 Phase; Lower
	M413863	Capacitor Network Assembly	
	M414034	Harness Assembly	
1	M412404	Contactor Motor	9 Amp
2	M412405	Reversing Contactor	
3	M412648	Junction Box	Bottom
4	51780	Screw	6 required
5	M412689	Din Rail	
6	M412688	Hex Nut	2 required
7	M412656	Ground Buss	
8	M414228	Multitap Transformer	100-240
9	M400044	Screw	4 required
10	23951	Keps Nut	4 required
11	70121001	End Stop	230 Volt; 4 required
12	M412631	Terminal Block	2 circuit; 6 required
13	M412632	Terminal Block	1 circuit; 5 required
14	M412633	End Barrier	2 required
15	M412772	Din Rail	
16	M400071	Screw	2 required; Gas models
17	M412534	Relay	24 Volt; Gas models
18	M412540	End Section	
19	M412537	Fuse Holder	230 Volt; Primary
20	M413867	Fuse	2 Amp; 250 Volt
21	M412771	Din Rail	
22	M412187	Base Mounting Switch	20 Amp
23	M412366	Finger Guard	20 Amp
24	M412370	Extension Handle	20 Amp

# Contactor Box Assembly

Steam Models  
230 Volt/ 50 Hertz/ 1 Phase - MT





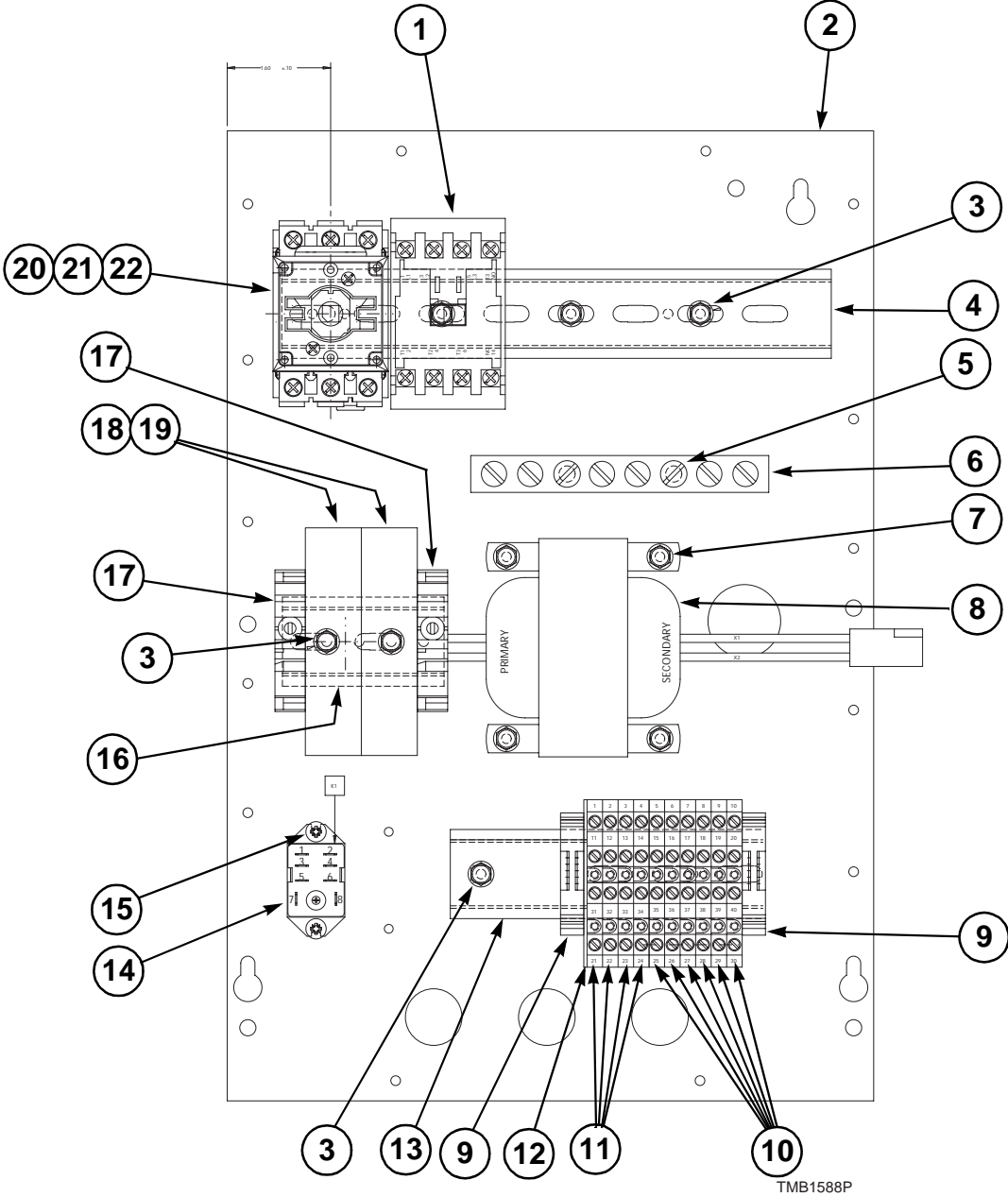
# Contactor Box Assembly

Steam Models  
230 Volt/ 50 Hertz/ 1 Phase - MT

REF	PART #	DESCRIPTION	COMMENTS
	M412707	Relay Harness	K1, K2
	M412641	Transformer Harness	Secondary
	M412642	Harness Assembly	Primary; 240 Volt
	M412644	Harness Jumper Assembly	240 Volt; Junction box
1	M412404	Motor Contactor	9 Amp
2	M412540	End Section	
3	M412537	Fuse Holder	230 Volt; Primary
4	502593	Fuse	
5	70121001	End Stop	230 Volt; 3 required
6	M412648	Junction Box	Bottom
7	51780	Screw	5 required
8	M412689	Din Rail	
9	M412688	Hex Nut	2 required
10	M412656	Ground Buss	
11	33562	Screw	4 required
12	M412477	Transformer	230 Volt
13	M412631	Terminal Block	2 circuit; 6 required
14	M412632	Terminal Block	1 circuit; 4 required
15	M412633	End Barrier	
16	M412772	Din Rail	
17	M412534	Relay	24 Volt
18	501086	Screw	2 required
19	M412187	Base Mounting Switch	20 Amp
20	M412366	Finger Guard	20 Amp
21	M412370	Extension Handle	20 Amp

# Contactor Box Assembly

Steam Models  
 380/400-415 Volt/ 50 Hertz/ 3 Phase - MT



# Contactor Box Assembly

Steam Models

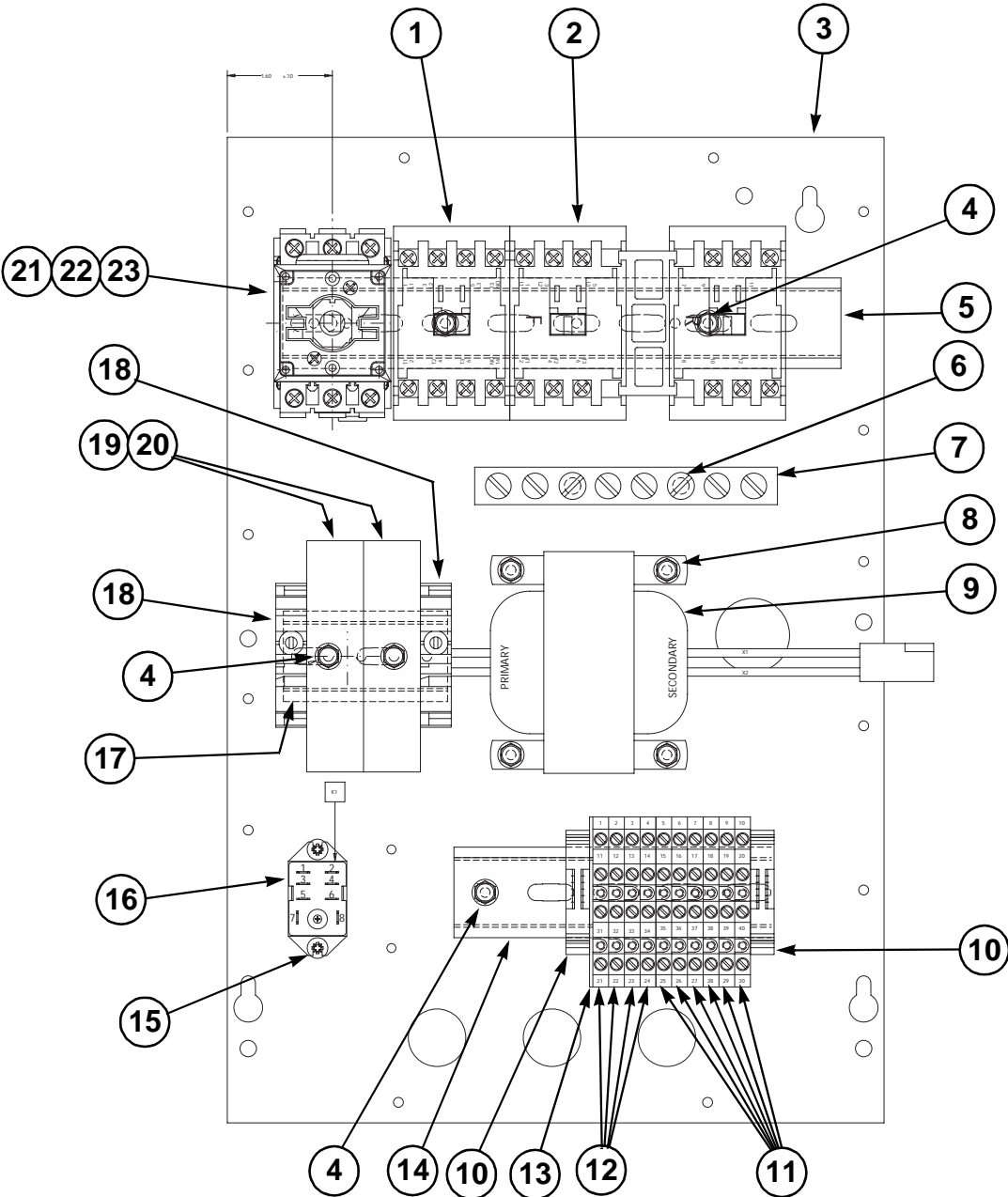
380/400-415 Volt/ 50 Hertz/ 3 Phase - MT

REF	PART #	DESCRIPTION	COMMENTS
	M412641	Transformer Harness	Secondary
	M412778	Harness Jumper Assembly	Junction box
	M412707	Relay Harness	K1,K2
1	M412404	Motor Contactor	9 Amp
2	M412648	Junction Box	Bottom
3	51780	Screw	7 required
4	M412689	Din Rail	
5	M412688	Hex Nut	2 required
6	M412656	Ground Buss	
7	33562	Screw	4 required
8	M412412	Transformer	400 Volt
9	70121001	End Stop	230 Volt; 2 required
10	M412631	Terminal Block	2 circuit; 6 required
11	M412632	Terminal Block	1 circuit; 4 required
12	M412633	End Barrier	
13	M412772	Din Rail	
14	M412534	Relay	24 Volt
15	501086	Screw	2 required
16	M412771	Din Rail	
17	M412615	End Stop	2 required
18	M412538	Fuse Holder	400 Volt; Primary; 2 required
19	M412996	Fuse	2 required
20	M412187	Base Mounting Switch	20 Amp
21	M412366	Finger Guard	20 Amp
22	M412370	Extension Handle	20 Amp

# Contactor Box Assembly

Steam Models

380/400-415 Volt/ 50 Hertz/ 3 Phase - RT



TMB1590P

# Contactor Box Assembly

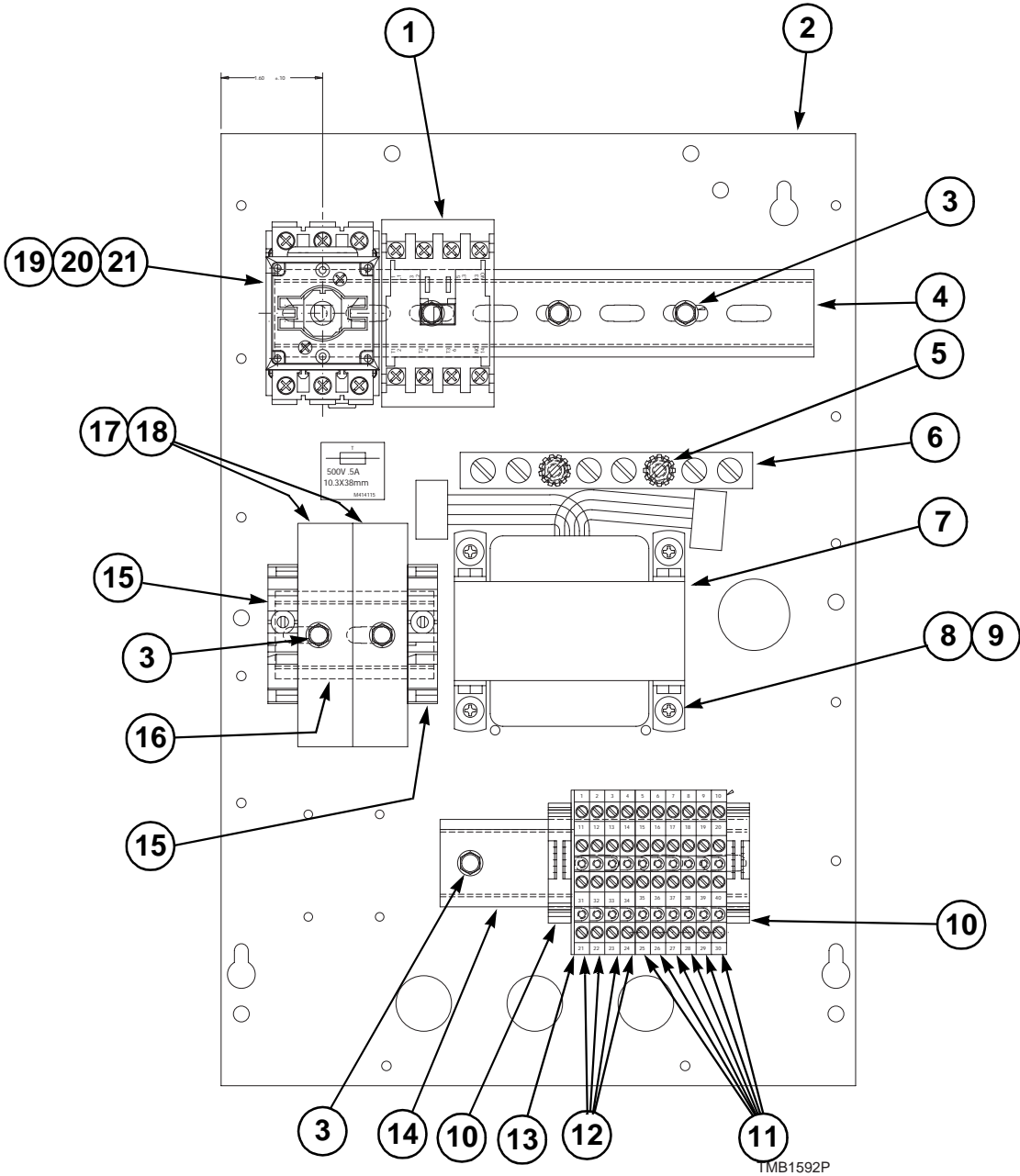
Steam Models

380/400-415 Volt/ 50 Hertz/ 3 Phase - RT

REF	PART #	DESCRIPTION	COMMENTS
	M412641	Transformer Harness	Secondary
	M412707	Relay Harness	K1, K2
	M412778	Harness Jumper Assembly	Junction box
	M412928	Reversing Contactor Jumper	3 Phase; Upper; 2 required
	M412929	Reversing Contactor Jumper	3 Phase; Lower
	M412930	Reversing Timer Harness	Junction box
1	M412404	Contactor Motor	9 Amp
2	M412405	Reversing Contactor	
3	M412648	Junction Box	Bottom
4	51780	Screw	6 required
5	M412689	Din Rail	
6	M412688	Hex Nut	2 required
7	M412656	Ground Buss	
8	33562	Screw	4 required
9	M412412	Transformer	400 Volt
10	70121001	End Stop	230 Volt; 2 required
11	M412631	Terminal Block	2 circuit; 6 required
12	M412632	Terminal Block	1 circuit; 4 required
13	M412633	End Barrier	
14	M412772	Din Rail	
15	501086	Screw	2 required
16	M412534	Relay	24 Volt
17	M412771	Din Rail	
18	M412615	End Stop	2 required
19	M412538	Terminal Fuse Holder Block	2 required
20	M412996	Fuse	2 required
21	M412187	Base Mounting Switch	20 Amp
22	M412366	Finger Guard	20 Amp
23	M412370	Extension Handle	20 Amp

# Contactor Box Assembly

Steam Models  
 380/400-415 Volt/ 50 Hertz/ 3 Phase - OM



# Contactor Box Assembly

Steam Models

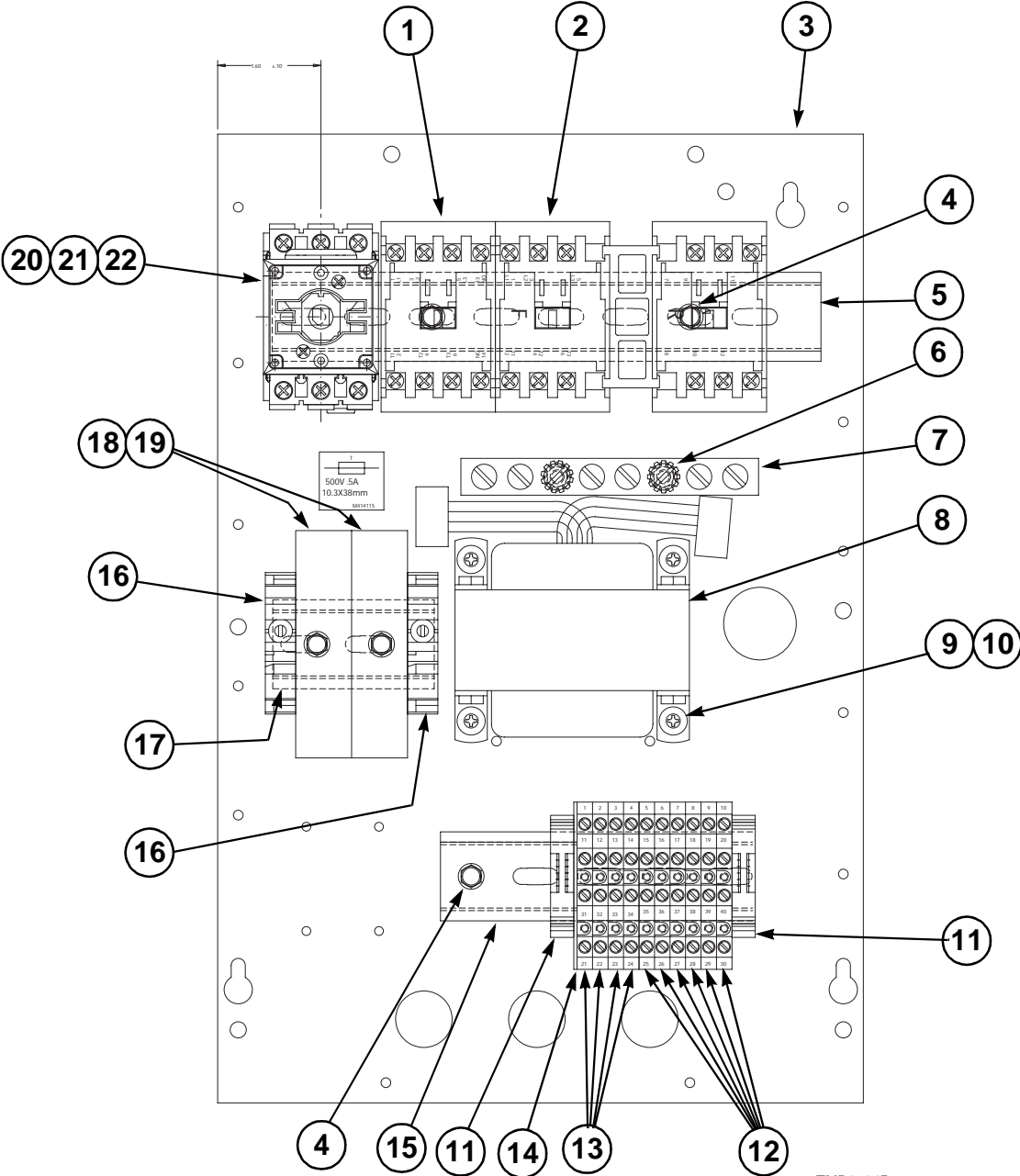
380/400-415 Volt/ 50 Hertz/ 3 Phase - OM

REF	PART #	DESCRIPTION	COMMENTS
	M413863	Capacitor Network Assembly	
	M413508	Jumper Configuration Assembly	380 Volt
	M414032	Harness Relay Assembly	
	M414028	Harness Transformer Assembly	Primary
	M414029	Harness Transformer Assembly	Secondary
	M414077	Harness Jump Assembly	Junction box
1	M412404	Motor Contactor	9 Amp
2	M412648	Junction Box	Bottom
3	51780	Screw	7 required
4	M412689	Din Rail	
5	M412688	Hex Nut	2 required
6	M412656	Ground Buss	
7	M414229	Multitap Transformer	
8	M400044	Screw	4 required
9	23951	Keps Nut	4 required
10	70121001	End Stop	230 Volt; 2 required
11	M412631	Terminal Block	2 circuit; 6 required
12	M412632	Terminal Block	1 circuit; 4 required
13	M412633	End Barrier	
14	M412772	Din Rail	
15	M412615	End Stop	2 required
16	M412771	Din Rail	
17	M412538	Fuse Holder	400 Volt; Primary; 2 required
18	M413621	Fuse	600 Volt; 2 required; .5 Amp
19	M412187	Base Mounting Switch	20 Amp
20	M412366	Finger Guard	20 Amp
21	M412370	Extension Handle	20 Amp

# Contactor Box Assembly

Steam Models

380/400-415 Volt/ 50 Hertz/ 3 Phase - RM



TMB1594P



# Contactor Box Assembly

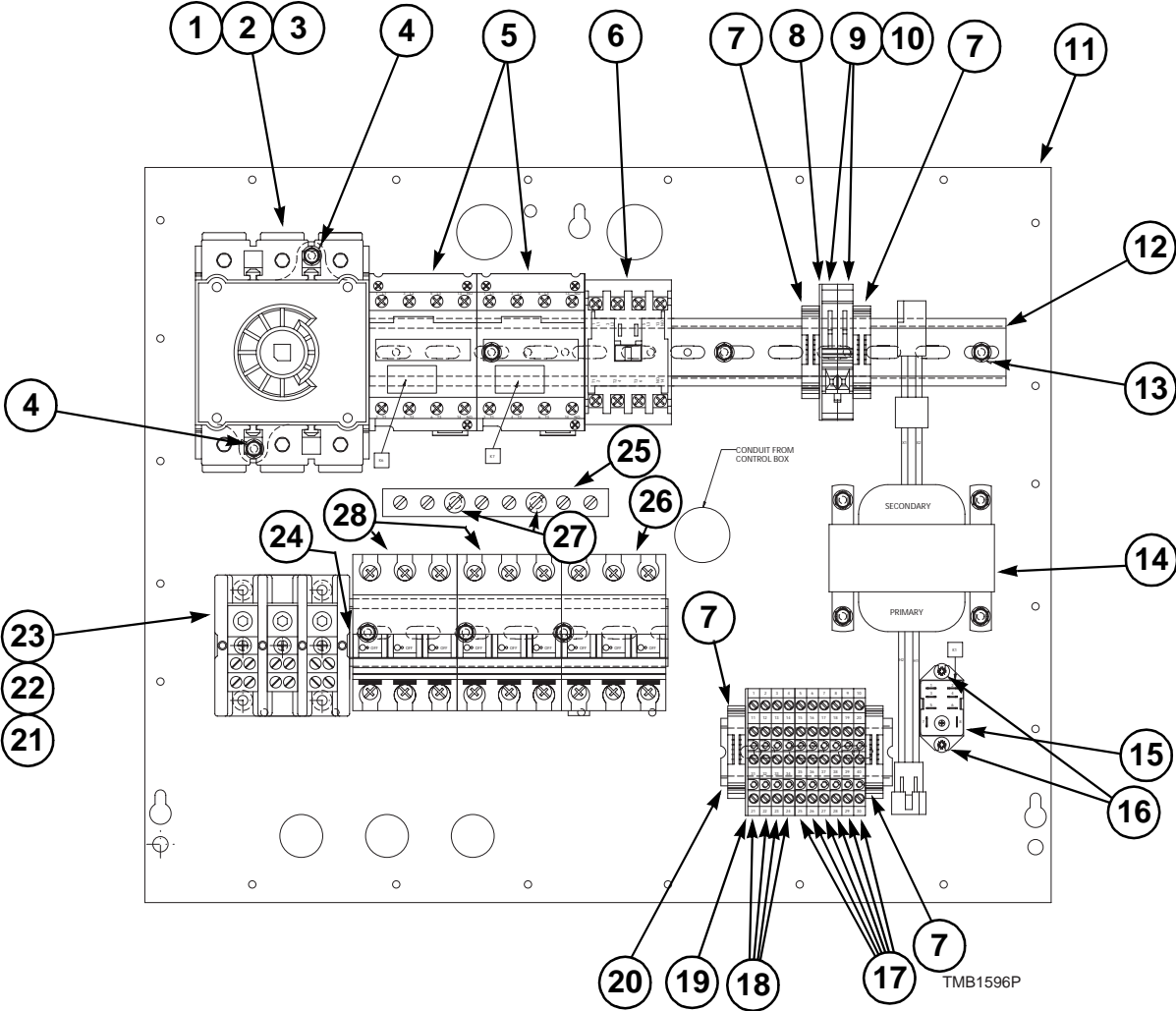
Steam Models

380/400-415 Volt/ 50 Hertz/ 3 Phase - RM

REF	PART #	DESCRIPTION	COMMENTS
	M414032	Harness Relay Assembly	
	M414028	Harness Transformer Assembly	Primary
	M414029	Harness Transformer Assembly	Secondary
	M414077	Harness Jump Assembly	Junction box
	M412928	Reversing Contactor Jumper	Upper; 2 required
	M412929	Reversing Contactor Jumper	Lower
	M414034	Harness Assembly	Reversing contactor
	M413508	Jumper Configuration Assembly	380 Volt
	M413863	Capacitor Network Assembly	
1	M412404	Contactor Motor	9 Amp
2	M412405	Reversing Contactor	
3	M412648	Junction Box	Bottom
4	51780	Screw	6 required
5	M412689	Din Rail	
6	M412688	Hex Nut	2 required
7	M412656	Ground Buss	
8	M414229	Multitap Transformer	
9	M400044	Screw	4 required
10	23951	Keps Nut	4 required
11	70121001	End Stop	230 Volt; 2 required
12	M412631	Terminal Block	2 circuit; 6 required
13	M412632	Terminal Block	1 circuit; 4 required
14	M412633	End Barrier	
15	M412772	Din Rail	
16	M412615	End Stop	2 required
17	M412771	Din Rail	
18	M412538	Terminal Fuse Holder Block	2 required
19	M413621	Fuse	600 Volt; .5 Amp; 2 required
20	M412187	Base Mounting Switch	20 Amp
21	M412366	Finger Guard	20 Amp
22	M412370	Extension Handle	20 Amp

# Contactor Box Assembly

Electric Models  
 230 Volt/ 50 Hertz/ 3 Phase - CD, MT



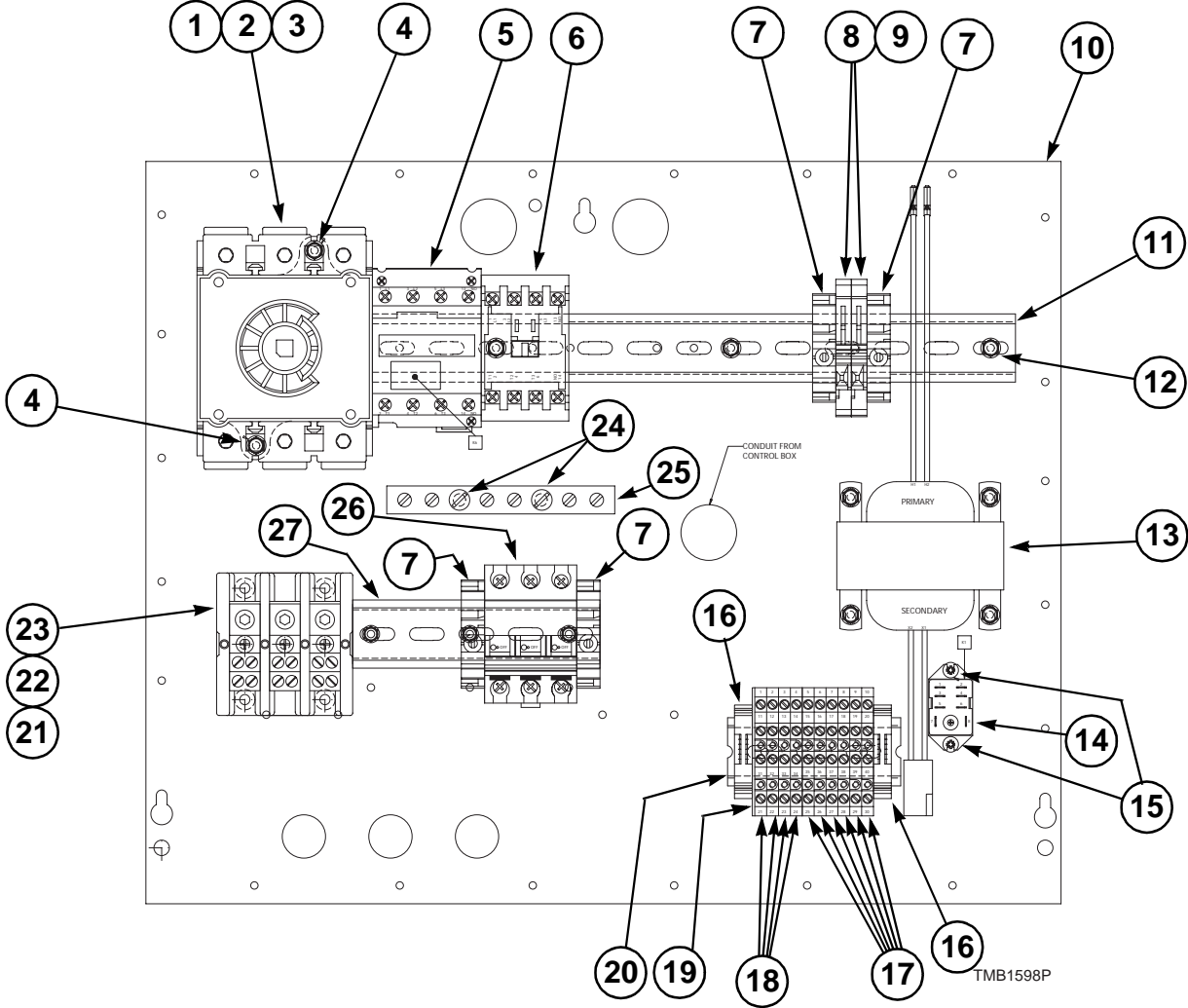
# Contactor Box Assembly

Electric Models  
230 Volt/ 50 Hertz/ 3 Phase - CD, MT

REF	PART #	DESCRIPTION	COMMENTS
	M412776	Relay Harness	MT models
	M412777	Relay Harness	CD models
	M412641	Transformer Harness	Secondary
	M412642	Transformer Harness	Primary
	M412871	Jumper Wire	240 Volt; 3 Phase; Contactor box
	M412740	Jumper Cable	6 required
	44014501	Wire	3 required
	44014601	Wire	3 required
	44014701	Wire	3 required
	M413934	Wire	3 required
1	M412186	Base Mounting Switch	100 Amp
2	M412367	Finger Guard	100 Amp
3	M412371	Extension Handle	100 Amp
4	33562	Screw	6 required
5	M412403	Electric Contactor	50 Amp; 2 required
6	M412404	Motor Contactor	9 Amp
7	70121001	End Stop	230 Volt; 4 required
8	M412540	End Section	230 Volt
9	M412537	Fuseholder	230 Volt; Primary; 2 required
10	502593	Fuse	250 Volt; 2 required
11	M412267	Contactor Box	Bottom
12	M412691	Din Rail	13.0 inch
13	51780	Screw	9 required
14	M412477	Transformer	240 Volt
15	M412534	Relay	MT models
16	501086	Screw	2 required; MT models
17	M412631	Terminal Block	2 circuit; 6 required
18	M412632	Terminal Block	1 circuit; 4 required
19	M412633	End Barrier	
20	M412692	Din Rail	3.5 inch
21	32671	Screw	4 required
22	M413865	Power Distribution Block	3 pole
23	44014901	Power Distribution Block Cover	
24	M412693	Din Rail	6.5 inch
25	M412656	Ground Buss	
26	M412407	Circuit Breaker	3 pole 8 Amp
27	M412688	Hex Nut	2 required
28	M412408	Circuit Breaker	3 pole; 50 Amp; 2 required

# Contactor Box Assembly

Electric Models  
380 Volt/ 50 Hertz/ 3 Phase - CD, MT



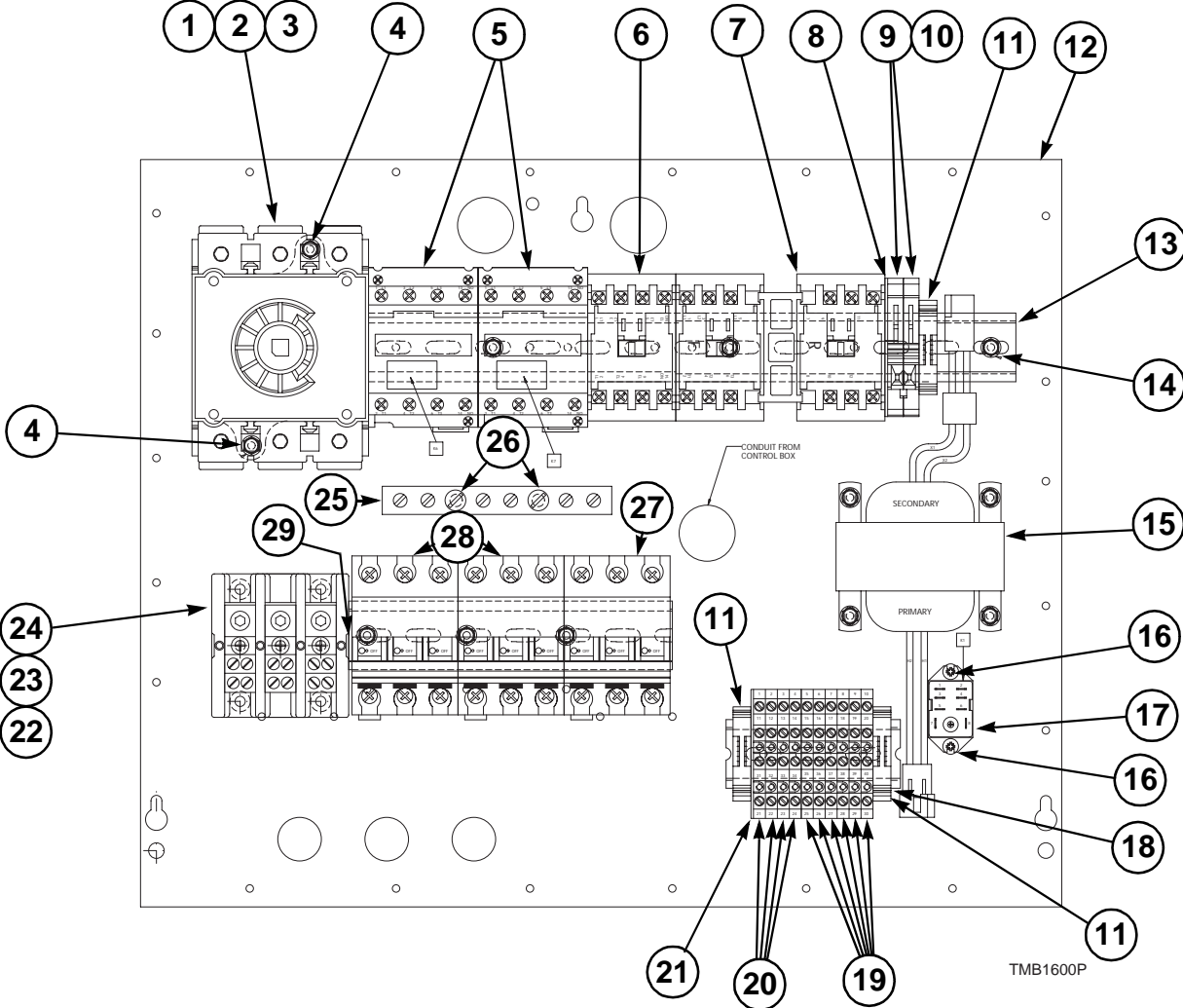
# Contactor Box Assembly

Electric Models  
380 Volt/ 50 Hertz/ 3 Phase - CD, MT

REF	PART #	DESCRIPTION	COMMENTS
	M412766	Relay Harness	MT models
	M412775	Relay Harness	CD models
	M412641	Transformer Harness	Secondary
	M412803	Jumper Wire	400 Volt; 3 Phase; Contactor box
	M414121	Jumper Cable	3 required
	44014501	Wire	3 required
	44014801	Wire	3 required
	M413934	Wire	3 required
1	M412186	Base Mounting Switch	100 Amp
2	M412367	Finger Guard	100 Amp
3	M412371	Extension Handle	100 Amp
4	33562	Screw	6 required
5	M412403	Electric Contactor	50 Amp
6	M412404	Motor Contactor	9 Amp
7	M412615	End Stop	400 Volt; 6 required
8	M412538	Fuseholder	400 Volt; Primary; 2 required
9	M412996	Fuse	2 required
10	M412267	Contactor Box	Bottom
11	M412691	Din Rail	13.0 inch
12	51780	Screw	9 required
13	M412412	Transformer	400 Volt
14	M412534	Relay	MT models
15	501086	Screw	2 required; MT models
16	70121001	End Stop	230 Volt; 2 required
17	M412631	Terminal Block	2 circuit; 6 required
18	M412632	Terminal Block	1 circuit; 4 required
19	M412633	End Barrier	
20	M412692	Din Rail	3.5 inch
21	32671	Screw	4 required
22	44014901	Power Distribution Block Cover	
23	M413865	Power Distribution Block	3 pole
24	M412688	Hex Nut	2 required
25	M412656	Ground Buss	
26	M412407	Circuit Breaker	3 pole; 8 Amp
27	M412690	Din Rail	5.0 inch

# Contactor Box Assembly

Electric Models  
 230 Volt/ 50 Hertz/ 3 Phase - RT



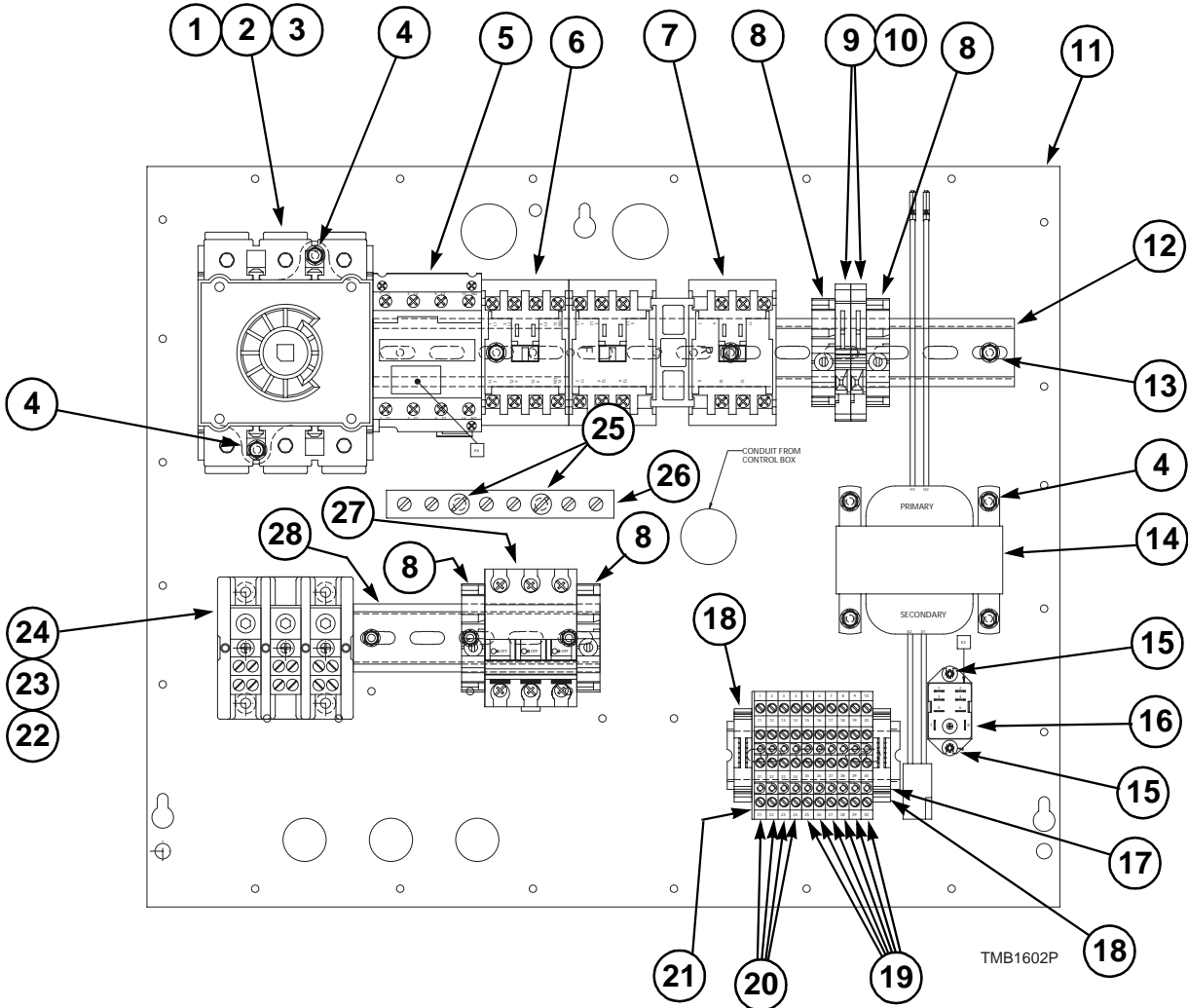
# Contactor Box Assembly

Electric Models  
230 Volt/ 50 Hertz/ 3 Phase - RT

REF	PART #	DESCRIPTION	COMMENTS
	M412776	Relay Harness	
	M412641	Transformer Harness	Secondary
	M412642	Transformer Harness	Primary
	M412871	Jumper Wire	240 Volt; 3 Phase; Contactor box
	M412740	Jumper Cable	8 gauge; 6 required
	M412932	Reversing Timer Harness	Contactor box
	M412928	Reversing Contactor Jumper	3 Phase; Upper; 2 required
	M412929	Reversing Contactor Jumper	3 Phase; Lower
	44014501	Wire	3 required
	44014601	Wire	3 required
	44014701	Wire	3 required
	M413934	Wire	3 required
1	M412186	Base Mounting Switch	100 Amp
2	M412367	Finger Guard	100 Amp
3	M412371	Extension Handle	100 Amp
4	33562	Screw	6 required
5	M412403	Electric Contactor	50 Amp; 2 required
6	M412404	Motor Contactor	9 Amp
7	M412405	Reversing Contactor	
8	M412540	End Section	230 Volt
9	M412537	Fuseholder	230 Volt; Primary; 2 required
10	502593	Fuse	250 Volt; 2 required
11	70121001	End Stop	230 Volt; 3 required
12	M412267	Contactor Box	Bottom
13	M412691	Din Rail	13.0 inch
14	51780	Screw	12 required
15	M412477	Transformer	240 Volt
16	501086	Screw	2 required
17	M412534	Relay	24 Volt
18	M412692	Din Rail	3.5 inch
19	M412631	Terminal Block	2 circuit; 6 required
20	M412632	Terminal Block	1 circuit; 4 required
21	M412633	End Barrier	
22	32671	Screw	4 required
23	44014901	Power Distribution Block Cover	
24	M413865	Power Distribution Block	3 pole
25	M412656	Ground Buss	
26	M412688	Hex Nut	2 required
27	M412407	Circuit Breaker	3 pole; 8 Amp
28	M412408	Circuit Breaker	3 pole; 50 Amp; 2 required
29	M412690	Din Rail	6.5 inch

# Contactor Box Assembly

Electric Models  
380 Volt/ 50 Hertz/ 3 Phase - RT





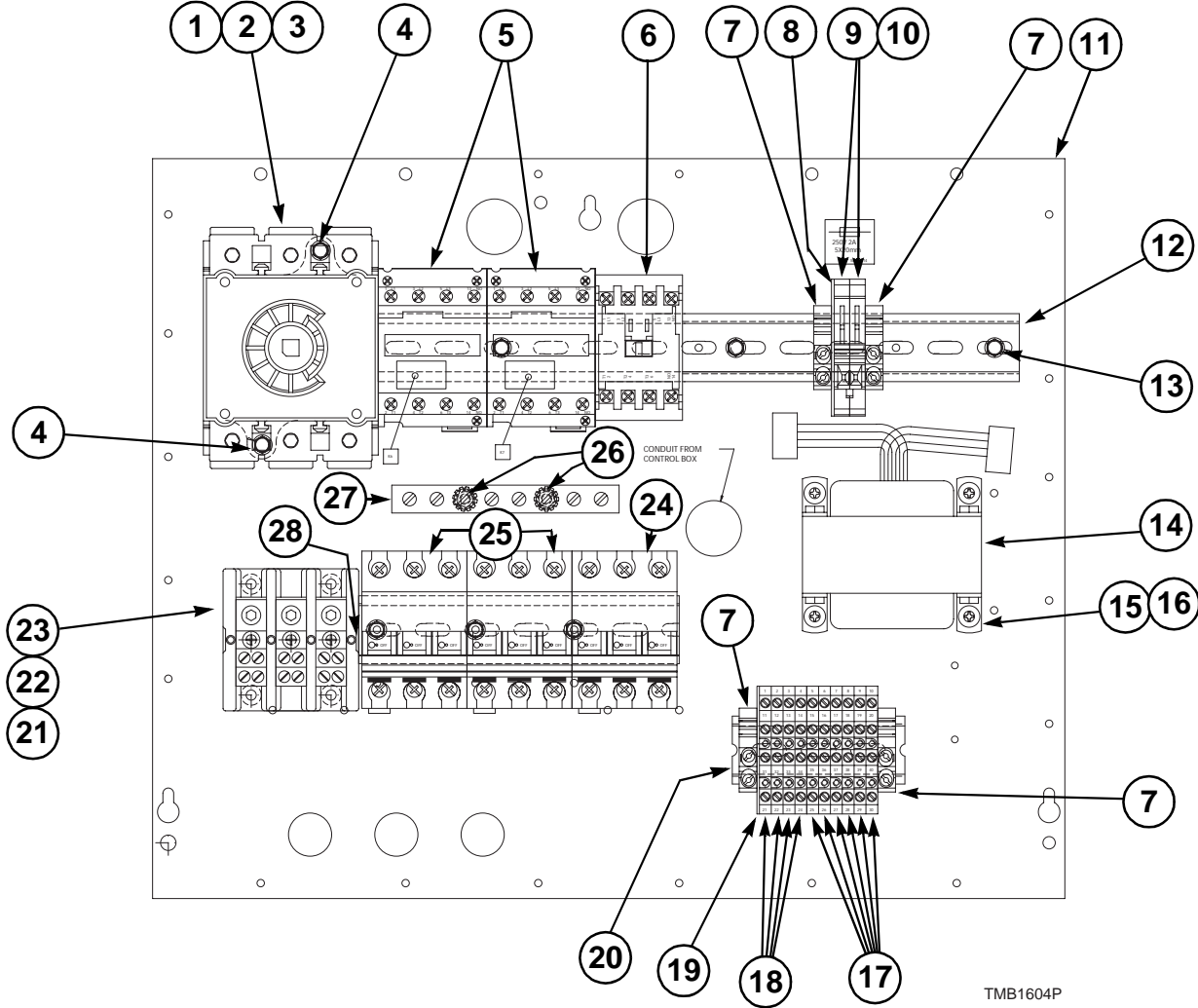
# Contactor Box Assembly

Electric Models  
380 Volt/ 50 Hertz/ 3 Phase - RT

REF	PART #	DESCRIPTION	COMMENTS
	M412766	Relay Harness	
	M412641	Transformer Harness	Secondary
	M412803	Jumper Wire	400 Volt; 3 Phase; Contactor box
	M414121	Jumper Cable	8 gauge; 3 required
	M412932	Reversing Timer Harness	Contactor box
	M412928	Reversing Contactor Jumper	3 Phase; Upper; 2 required
	M412929	Reversing Contactor Jumper	3 Phase; Lower
	44014501	Wire	3 required
	44014801	Wire	3 required
	M413934	Wire	3 required
1	M412186	Base Mounting Switch	100 Amp
2	M412367	Finger Guard	100 Amp
3	M412371	Extension Handle	100 Amp
4	33562	Screw	6 required
5	M412403	Electric Contactor	50 Amp
6	M412404	Motor Contactor	9 Amp
7	M412405	Reversing Contactor	
8	M412615	End Stop	400 Volt; 4 required
9	M412538	Fuseholder	400 Volt; Primary; 2 required
10	M412996	Fuse	2 required
11	M412267	Contactor Box	Bottom
12	M412691	Din Rail	13.0 inch
13	51780	Screw	10 required
14	M412412	Transformer	400 Volt
15	501086	Screw	2 required
16	M412534	Relay	
17	M412756	Din Rail	3.5 inch
18	70121001	End Stop	230 Volt; 2 required
19	M412631	Terminal Block	2 circuit; 6 required
20	M412632	Terminal Block	1 circuit; 4 required
21	M412633	End Barrier	
22	32671	Screw	4 required
23	44014901	Power Distribution Block Cover	
24	M413865	Power Distribution Block	3 pole
25	M412688	Hex Nut	2 required
26	M412656	Ground Buss	
27	M412407	Circuit Breaker	3 pole; 8 Amp
28	M412690	Din Rail	5.0 inch

# Contactor Box Assembly

EU Electric Models  
 230 Volt/ 50 Hertz/ 3 Phase - NMC\*, OM



\* NMC = NC, NR, NX, NY, ZC, ZR, ZX and ZY

# Contactor Box Assembly

EU Electric Models  
230 Volt/ 50 Hertz/ 3 Phase - NMC\*, OM

REF	PART #	DESCRIPTION	COMMENTS
	M413930	Ferrite Core Assembly	
	M413863	Capacitor Network Assembly	
	M413507	Jumper Configuration Assembly	240 Volt; OM models
	M414149	Harness Relay Assembly	OM models
	M414028	Harness Transformer Assembly	Primary; 3 Phase; OM models
	M414029	Harness Transformer Assembly	Secondary; OM models
	M414078	Harness Jumper Assembly	3 Phase; OM models; Contactor box
	M412740	Jumper Cable	8 gauge; 6 required
	M412871	Harness Jumper Assembly	400 Volt; NMC models; Contactor box
	44014501	Wire	3 required
	44014701	Wire	3 required
	M413934	Wire	3 required
	44014601	Wire	3 required
1	M412186	Base Mounting Switch	100 Amp
2	M412367	Finger Guard	100 Amp
3	M412371	Extension Handle	100 Amp
4	33562	Screw	2 required
5	M412403	Electric Contactor	50 Amp; 2 required
6	M412404	Motor Contactor	9 Amp
7	70121001	End Stop	230 Volt; 4 required
8	M412540	End Section	230 Volt
9	M412537	Fuseholder	230 Volt; Primary; 2 required
10	M413867	Fuse	2 Amp; 250 Volt; 2 required
11	M412267	Contactor Box	Bottom
12	M412691	Din Rail	13.0 inches
13	51780	Screw	10 required
14	M414228	Multitap Transformer	100-240
15	M400044	Screw	4 required
16	23951	Keps Nut	10-24; 4 required
17	M412631	Terminal Block	2 circuit; 6 required
18	M412632	Terminal Block	1 circuit; 4 required
19	M412633	End Barrier	
20	M412692	Din Rail	3.5 inches
21	32671	Screw	4 required
22	44014901	Power Distribution Block Cover	
23	M413865	Power Distribution Block	3 pole
24	M412407	Circuit Breaker	3 pole; 8 Amp
25	M412408	Circuit Breaker	3 pole; 50 Amp; 2 required
26	M412688	Hex Nut	2 required
27	M412656	Ground Buss	
28	M412693	Din Rail	6.5 inches

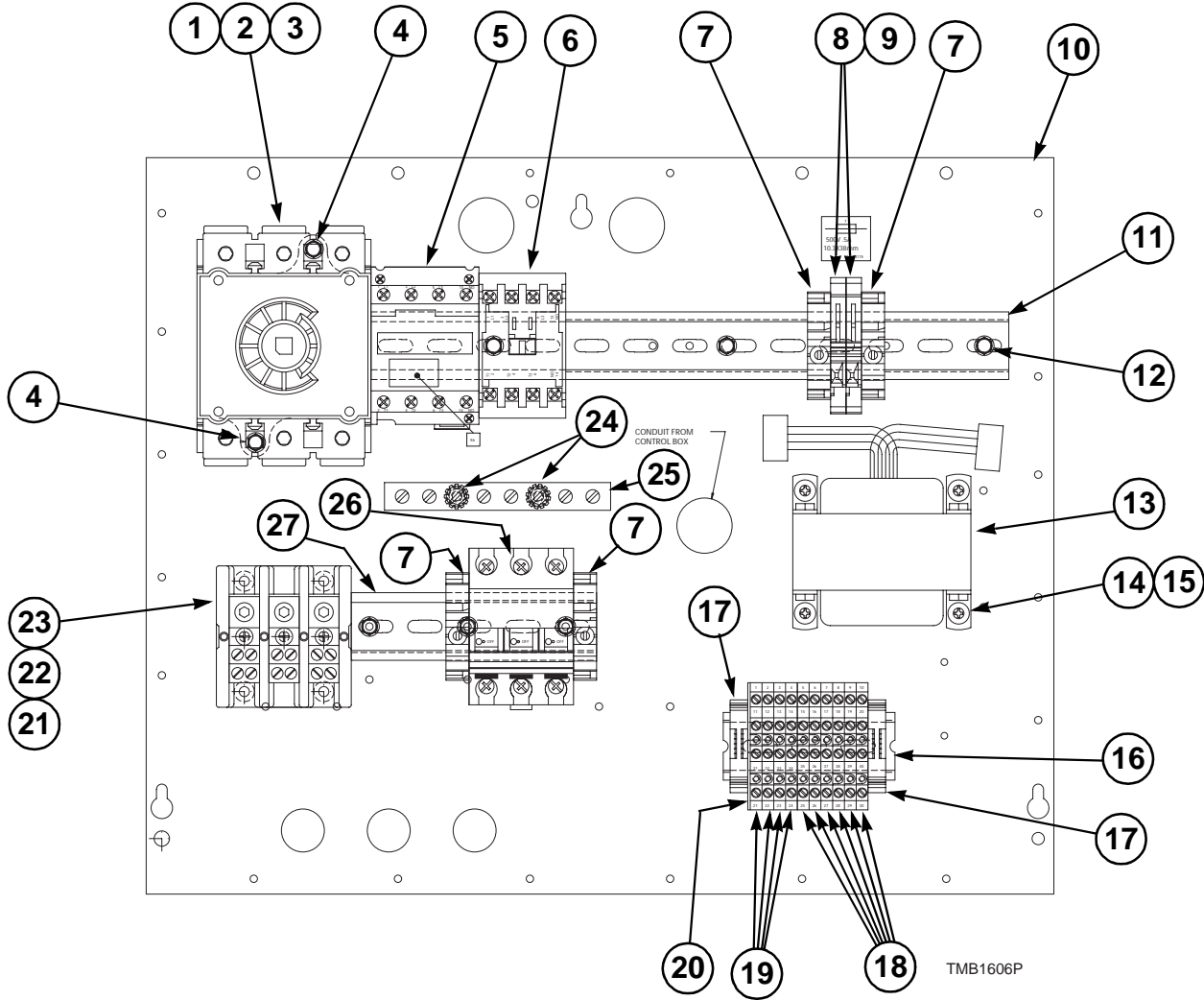
\* NMC = NC, NR, NX, NY, ZC, ZR, ZX and ZY

# Contactor Box Assembly

EU Electric Models

380 Volt/ 50 Hertz/ 3 Phase - NMC\*, OM

415 Volt/ 50 Hertz/ 3 Phase - NMC\*, OM



\* NMC = NC, NR, NX, NY, ZC, ZR, ZX and ZY

# Contactor Box Assembly

EU Electric Models

380 Volt/ 50 Hertz/ 3 Phase - NMC\*, OM

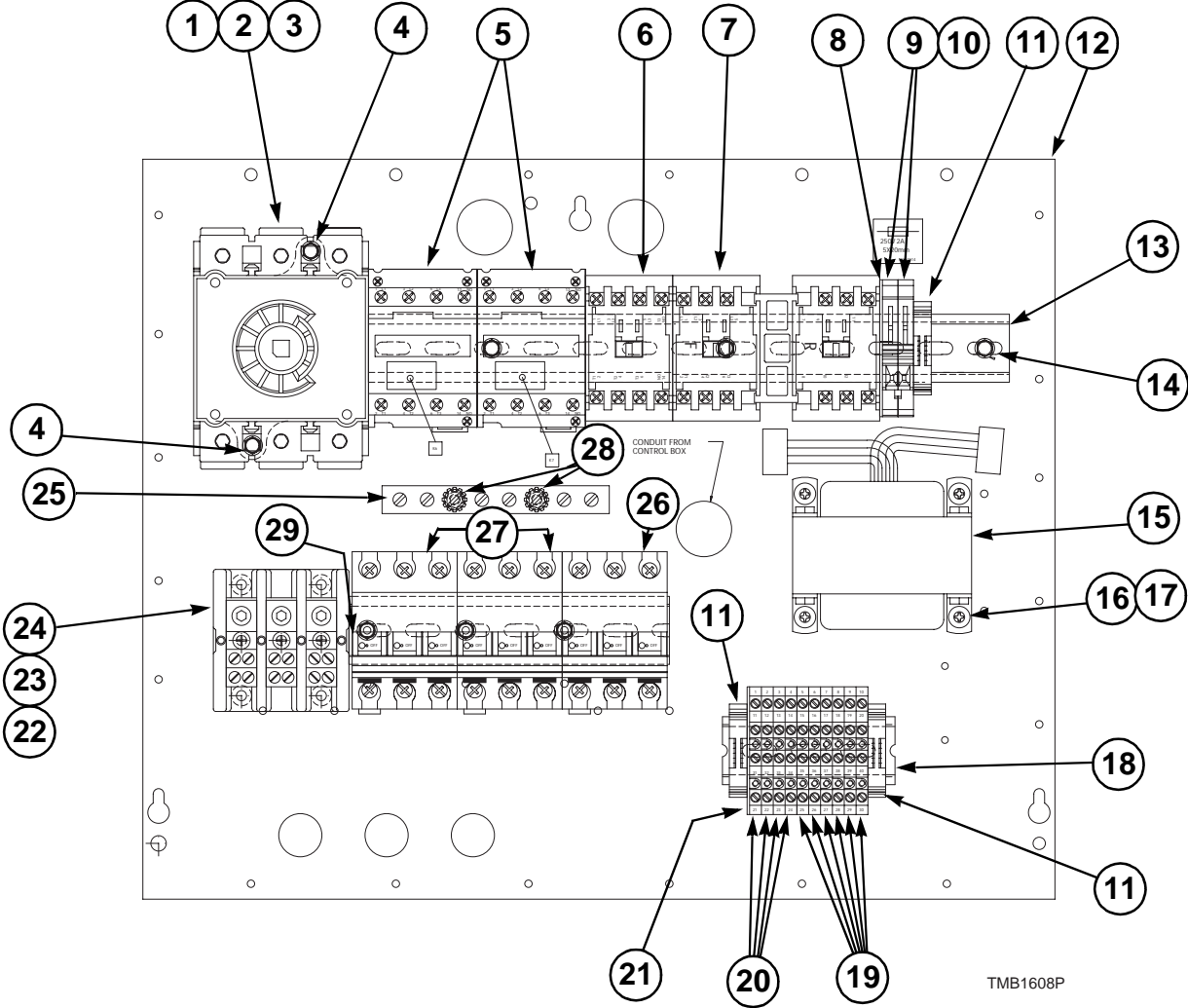
415 Volt/ 50 Hertz/ 3 Phase - NMC\*, OM

REF	PART #	DESCRIPTION	COMMENTS
	M414150	Harness Relay Assembly	OM models
	M414028	Transformer Assembly	Primary; 3 Phase; OM models
	M414029	Harness Transformer Assembly	Secondary; OM models
	M414079	Harness Jumper Assembly	3 Phase; OM models
	M413863	Capacitor Network Assembly	OM models
	M413508	Jumper Configuration Assembly	Used only on 380 Volt/50 Hertz/3 Phase NMC and OM models
	M413509	Jumper Configuration Assembly	Used only on 415 Volt/50 Hertz/3 Phase NMC and OM models
	M414121	Jumper Cable	8 gauge; 3 required
	M413930	Ferrite Core	
	M412803	Harness Jumper Assembly	400 Volt; NMC models; Contactor box
	44014501	Wire	3 required
	44014801	Wire	3 required
	M413934	Wire	3 required
1	M412186	Base Mounting Switch	100 Amp
2	M412367	Finger Guard	100 Amp
3	M412371	Extension Handle	100 Amp
4	33562	Screw	2 required
5	M412403	Electric Contactor	50 Amp
6	M412404	Motor Contactor	9 Amp
7	M412615	End Stop	400 Volt; 4 required
8	M412538	Fuseholder	400 Volt; Primary; 2 required
9	M413621	Fuse	600 Volt; 2 required; .5 Amp
10	M412267	Contactor Box	Bottom
11	M412691	Din Rail	13.0 inches
12	51780	Screw	9 required
13	M414229	Multitap Transformer	380-480 Volt
14	M400044	Screw	4 required
15	23951	Keps Nut	4 required
16	M412692	Din Rail	3.5 inches
17	70121001	End Stop	230 Volt; 2 required
18	M412631	Terminal Block	2 circuit; 6 required
19	M412632	Terminal Block	1 circuit; 2 required
20	M412633	End Barrier	
21	32671	Screw	4 required
22	44014901	Power Distribution Block Cover	
23	M413865	Power Distribution Block	3 pole
24	M412688	Hex Nut	2 required
25	M412656	Ground Buss	
26	M412407	Circuit Breaker	3 pole; 8 Amp
27	M412690	Din Rail	5.0 inches

\* NMC = NC, NR, NX, NY, ZC, ZR, ZX and ZY

# Contactor Box Assembly

Electric Models  
230 Volt/ 50 Hertz/ 3 Phase - OM



# Contactor Box Assembly

Electric Models  
230 Volt/ 50 Hertz/ 3 Phase - OM

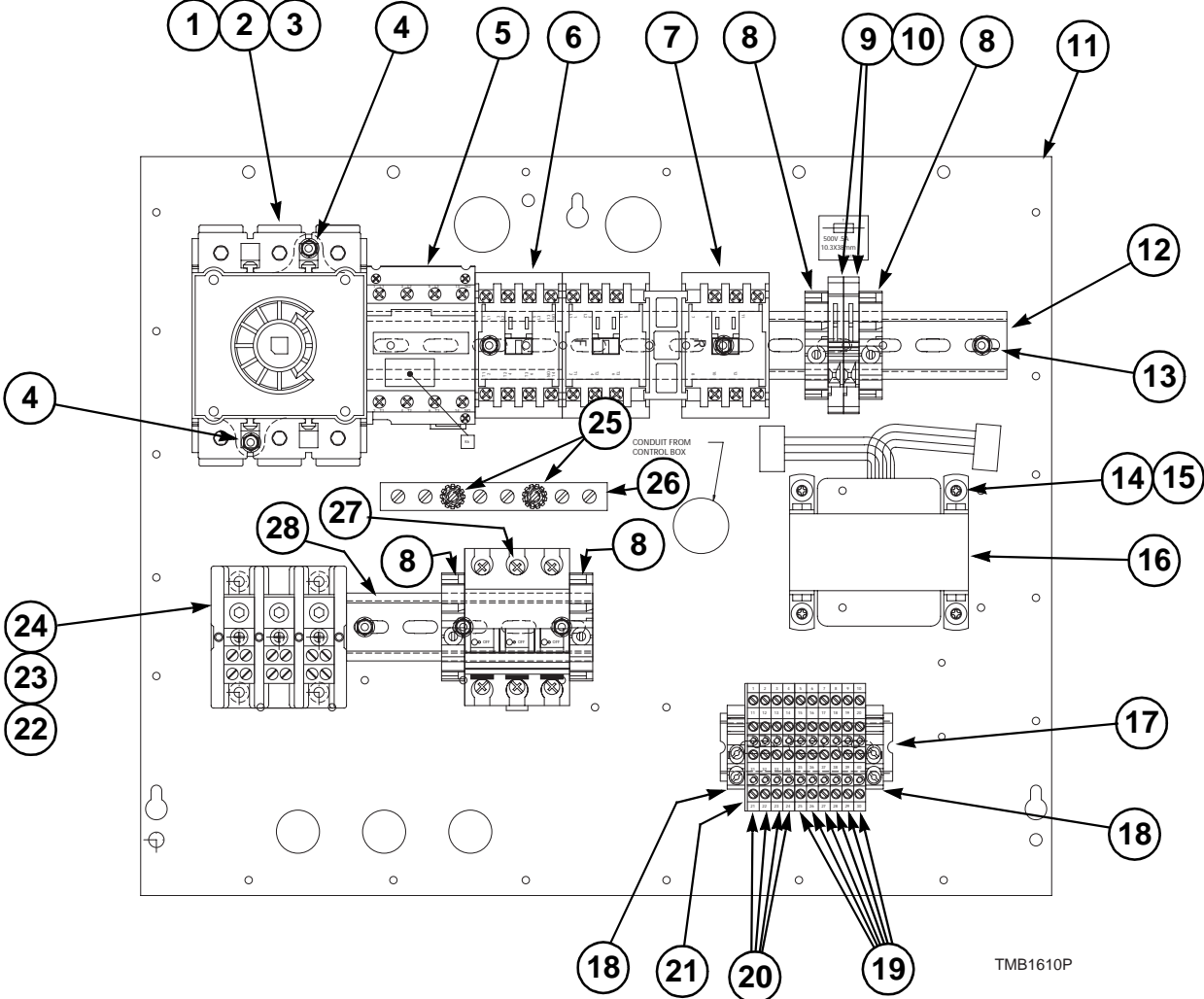
REF	PART #	DESCRIPTION	COMMENTS
	M413930	Ferrite Core	
	M413863	Capacitor Network Assembly	
	M413507	Jumper Configuration Assembly	240 Volt
	M414028	Harness Transformer Assembly	Primary; 3 Phase
	M414029	Harness Transformer Assembly	Secondary
	M412740	Jumper Cable	8 gauge; 6 required
	M414034	Reversing Contactor Harness Assembly	
	M412928	Reversing Contactor Jumper	3 Phase; Upper; 2 required
	M412929	Reversing Contactor Jumper	3 Phase; Lower
	M414149	Harness Relay Assembly	
	M414078	Harness Jumper Assembly	3 Phase; Contactor box
	44014501	Wire	3 required
	44014601	Wire	3 required
	44014701	Wire	3 required
	M413934	Wire	3 required
1	M412186	Base Mounting Switch	100 Amp
2	M412367	Finger Guard	100 Amp
3	M412371	Extension Handle	100 Amp
4	33562	Screw	2 required
5	M412403	Electric Contactor	50 Amp; 2 required
6	M412404	Motor Contactor	9 Amp
7	M412405	Reversing Contactor	
8	M412540	End Section	230 Volt
9	M412537	Fuseholder	230 Volt; Primary; 2 required
10	M413867	Fuse	2 Amp; 250 Volt; 2 required
11	70121001	End Stop	230 Volt; 3 required
12	M412267	Contactor Box	Bottom
13	M412691	Din Rail	13.0 inches
14	51780	Screw	12 required
15	M414228	Multitap Transformer	100-240
16	M400044	Screw	4 required
17	23951	Keps Nut	4 required
18	M412692	Din Rail	3.5 inches
19	M412631	Terminal Block	2 circuit; 6 required
20	M412632	Terminal Block	1 circuit; 4 required
21	M412633	End Barrier	
22	32671	Screw	4 required
23	44014901	Power Distribution Block Cover	
24	M413865	Power Distribution Block	3 pole
25	M412656	Ground Buss	
26	M412407	Circuit Breaker	3 pole; 8 Amp
27	M412408	Circuit Breaker	3 pole; 50 Amp; 2 required
28	M412688	Hex Nut	2 required
29	M412690	Din Rail	6.5 inches

# Contactor Box Assembly

Electric Models

380 Volt/ 50 Hertz/ 3 Phase - RM

415 Volt/ 50 Hertz/ 3 Phase - RM





# Contactor Box Assembly

Electric Models

380 Volt/ 50 Hertz/ 3 Phase - RM

415 Volt/ 50 Hertz/ 3 Phase - RM

REF	PART #	DESCRIPTION	COMMENTS
	M413930	Ferrite Core	
	M413863	Capacitor Network Assembly	
	M413508	Jumper Configuration Assembly	Used only on 380 Volt/50 Hertz/3 Phase models
	M413509	Jumper Configuration Assembly	Used only on 415 Volt/50 Hertz/3 Phase models
	M414121	Jumper Cable	8 gauge; 3 required
	M414150	Harness Relay Assembly	
	M414034	Reversing Contactor Harness Assembly	
	M414028	Harness Transformer Assembly	Primary; 3 Phase
	M414029	Harness Transformer Assembly	Secondary
	M414079	Harness Jumper Assembly	3 Phase; Contactor box
	M412928	Reversing Contactor Jumper	3 Phase; Upper; 2 required
	M412929	Reversing Contactor Jumper	3 Phase; Lower
	44014501	Wire	3 required
	44014801	Wire	3 required
	M413934	Wire	3 required
1	M412186	Base Mounting Switch	100 Amp
2	M412367	Finger Guard	100 Amp
3	M412371	Extension Handle	100 Amp
4	33562	Screw	2 required
5	M412403	Electric Contactor	50 Amp
6	M412404	Motor Contactor	9 Amp
7	M412405	Reversing Contactor	
8	M412615	End Stop	400 Volt; 2 required
9	M412538	Fuseholder	400 Volt; Primary; 2 required
10	M413621	Fuse	600 Volt; .5 Amp; 2 required
11	M412267	Contactor Box	Bottom
12	M412691	Din Rail	13.0 inch
13	51780	Screw	9 required
14	M400044	Screw	4 required
15	23951	Keps Nut	4 required
16	M414229	Multitap Transformer	380-480 Volt
17	M412692	Din Rail	3.5 inch
18	70121001	End Stop	2 required
19	M412631	Terminal Block	2 circuit; 6 required
20	M412632	Terminal Block	1 circuit; 4 required
21	M412633	End Barrier	
22	M413865	Power Distribution Block	3 pole
23	44014901	Power Distribution Block Cover	
24	32671	Screw	4 required
25	M412688	Hex Nut	2 required
26	M412656	Ground Buss	
27	M412407	Circuit Breaker	3 pole; 8 Amp
28	M412690	Din Rail	5.0 inch

# Motor Usage Tables

## Nonreversing Tumblers

MODEL	ELECTRIC SERVICE	FAN MOTOR	
		PART NO.	HP
<b>Gas and Steam</b>	120 Volt/ 60 Hertz/ 1 Phase	44007301	3/4
	200-208/240 Volt/ 60 Hertz/ 1 Phase	44007301	3/4
	200-208-240 Volt/ 60 Hertz/ 3 Phase	M412518	3/4
	460-480 Volt/ 60 Hertz/ 3 Phase	M412518	3/4
	230-240 Volt/ 50 Hertz/ 1 Phase	M412515	3/4
	200 Volt/ 50 Hertz/ 3 Phase	M412518	3/4
	230-240 Volt/ 50 Hertz/ 3 Phase	M412518	3/4
	380/400-415 Volt/ 50 Hertz/ 3 Phase	M412518	3/4
<b>Electric</b>	200-208 Volt/ 60 Hertz/ 3 Phase	44007301	3/4
	240 Volt/ 60 Hertz/ 3 Phase	44007301	3/4
	480 Volt/ 60 Hertz/ 3 Phase	M412518	3/4
	200 Volt/ 50 Hertz/ 3 Phase	M412518	3/4
	240 Volt/ 50 Hertz/ 3 Phase	M412515	3/4
	380 Volt/ 50 Hertz/ 3 Phase	M412518	3/4
	400-415 Volt/ 50 Hertz/ 3 Phase	M412518	3/4

## Reversing Tumblers

MODEL	ELECTRIC SERVICE	FAN MOTOR			DRIVE MOTOR	
		PART NO.	HP	PART NO.	HP	
<b>Gas and Steam</b>	200-208-240 Volt/ 60 Hertz/ 3 Phase	075	M412518	3/4	M412519P	1/3
		F75	M410860	1		
	460-480 Volt/ 60 Hertz/ 3 Phase	075	M412518	3/4	M412519P	1/3
		F75	M410860	1		
	230-240 Volt/ 50 Hertz/ 1 Phase	M412513P		1/3	M412520P	1/3
	200 Volt/ 50 Hertz/ 3 Phase	M412516P		1/3	M412519P	1/3
	230-240 Volt/ 50 Hertz/ 3 Phase	M412516P		1/3	M412519P	1/3
	380/400-415 Volt/ 50 Hertz/ 3 Phase	M412516P		1/3	M412519P	1/3
<b>Electric</b>	200-208 Volt/ 60 Hertz/ 3 Phase	44007101		1/3	M412519P	1/3
	240 Volt/ 60 Hertz/ 3 Phase	44007101		1/3	M412519P	1/3
	480 Volt/ 60 Hertz/ 3 Phase	M412516P		1/3	M412519P	1/3
	200 Volt/ 50 Hertz/ 3 Phase	M412513P		1/3	M412519P	1/3
	240 Volt/ 50 Hertz/ 3 Phase	M412513P		1/3	M412519P	1/3
	380 Volt/ 50 Hertz/ 3 Phase	M412516P		1/3	M412519P	1/3
	400-415 Volt/ 50 Hertz/ 3 Phase	M412516P		1/3	M412519P	1/3

# Parts Index

## A

Acorn Nut	
M414215 .....	33
Airflow Switch	
M400944 .....	63
M412423 .....	63
Airflow Switch Box	
M403235 .....	63
Anti-Torque Ring	
M400605 .....	53, 57
Arm	
70030301 .....	29
Assembly, Fan, Bushing and Screws	
M414546 .....	49

## B

Baffle	
44005001 .....	31
44005301 .....	31
Baffle Gasket	
70015701 .....	31
Ball Bearing	
M401375 .....	43
M413923 .....	37
800466 .....	37
Ball Valve	
M412562 .....	53, 57
Barrier	
M400712 .....	63
Base Mounting Switch	
M412186 .....	121, 123, 125, 127, 129, 131, 133, 135
M412187 .....	101, 103, 105, 107, 109, 111, 113, 115, 117, 119
Bearing	
430038 .....	45
Bearing Retainer	
M401370 .....	43
Belt	
M401182 .....	41
M412090 .....	39
M412981 .....	39
Belt Guard	
M413008 .....	39, 47
M413541 .....	39
Belt Guard Assembly	
M411467 .....	41
M413627 .....	39
Bolt	
M400650 .....	37
M401393 .....	39, 47
M412119 .....	45
Bracket	
M409202 .....	63
M413267 .....	39
M413268 .....	39
44018601 .....	9
70080701 .....	9, 13

Bumper Assembly	
70154405 .....	29
70154406 .....	29
Burner	
M410541 .....	53, 57
Burner Orifice	
M400997 .....	53, 57
M400998 .....	57
M400999 .....	53
M401001 .....	53
M401002 .....	57
M401003 .....	53
M401011 .....	53, 57
M401014 .....	53
M401017 .....	53
M401020 .....	57
M401021 .....	53
M401027 .....	53, 57
M402997 .....	57
M403017 .....	57
M406184 .....	57
M406361 .....	57
Bushing	
H87529111 .....	49
M412086 .....	39
M412885 .....	39
M412917 .....	39

## C

Calibration Jumper	
70084104 .....	13
Cam Package	
M409532 .....	9
Capacitor Network Assembly	
M413863 .....	107, 109, 117, 119, 129, 131, 133, 135
Card Reader and Bracket Assembly	
510068 .....	21
Card Reader Harness	
70211801 .....	21
Card Reader/Network Harness	
70206601 .....	21
Circuit Board Support	
34896 .....	9, 13
70178801 .....	9
Circuit Breaker	
M412407 .....	121, 123, 125, 127, 129, 131, 133, 135
M412408 .....	121, 125, 129, 133
Clip	
M400974 .....	65
M400976 .....	63
M400984 .....	25
Coil Spring	
M402455 .....	11
Coin Carrier Spring	
M405138A .....	11
Coin Drop	
210195 .....	19
210196 .....	19
38467 .....	19
38475 .....	19
38479 .....	19

38519 .....	19
39748 .....	19
70256401 .....	19
Coin Meter	
M412542 .....	9
M412544 .....	9
M412546 .....	9
M412547 .....	9
70112401 .....	9
70112501 .....	9
70112701 .....	9
70137301 .....	9
70137401 .....	9
70138401 .....	9
70151301 .....	9
70262401 .....	9
70262501 .....	9
Coin Meter Drive	
M400754 .....	11
Coin Retainer Spring	
M406297 .....	11
Coin Shute Assembly	
70243701 .....	31
Coin Vault Assembly	
70180101 .....	31
Coin Vault Switch Harness	
44023001 .....	25
Coin Vault Trim	
70117501 .....	27
70117502 .....	27
Communication Cable	
M414875 .....	19, 21
Conduit Retainer	
M405343 .....	57
Contacto	
M413616 .....	95, 97, 99
Contacto Block	
44018701 .....	67
Contacto Box	
M412267 .....	121, 123, 125, 127, 129, 131, 133, 135
Contacto Box End	
M413757 .....	69, 71, 73, 75, 77, 79, 81, 83, 85, 87, 89, 91, 93
M413758 .....	69, 71, 73, 75, 77, 79, 81, 83, 85, 87, 89, 91, 93
Contacto Box Wrapper	
44028401 .....	69, 71, 73, 75, 77, 79, 81, 83, 85, 87, 89, 91, 93
Contacto Motor	
M412404 .....	103, 109, 115, 119
Control	
70228401P .....	17
Control Assembly	
44013601 .....	17
Control Overlay	
70114501 .....	15
70114502 .....	15
70129201 .....	15
70129202 .....	15
70134901 .....	15
70134902 .....	15
70245901 .....	15
70245902 .....	15
70246001 .....	15
70246002 .....	15
70246101 .....	15

70246102 .....	15
Control Panel	
44000117BLK .....	25
44000117* .....	25
44000118 .....	25
44000119* .....	25
44000120 .....	25
Control Panel Harness	
44005501 .....	9
44005601 .....	13
44005701 .....	13
44006601 .....	9
44006701 .....	13
44006801 .....	13
44010801 .....	19, 21
44010901 .....	19, 21
44016701 .....	17
44016702 .....	17
44017001 .....	17
44017002 .....	17
44025601 .....	13
44025701 .....	13
44025801 .....	9
Control Plate Assembly	
70175803 .....	13
70175804 .....	9
70175807 .....	19
70175808 .....	21
70175809 .....	21
Control Timer Board	
70175301P .....	9
Control Trim	
44016301 .....	25
44016401 .....	25
Core Ferrite Assembly	
M413930 .....	95, 97, 99
Counterweight	
M400822 .....	63
Cover	
M400828 .....	65
Cylinder and Trunnion Assembly	
M406906 .....	35
M409015 .....	35
M409090 .....	35
M409091 .....	35
Cylinder Assembly	
M401985 .....	35
M402517 .....	35
Cylinder Motor Harness	
M412745 .....	51
Cylinder Motor Harness Assembly	
M412573 .....	51
M413687 .....	51
M413688 .....	51

## D

Din Rail	
M412689 .....	101, 103, 105, 107, 109, 111, 113, 115, 117, 119
M412690 .....	123, 125, 127, 131, 133, 135
M412691 .....	121, 123, 125, 127, 129, 131, 133, 135
M412692 .....	121, 123, 125, 129, 131, 133, 135
M412693 .....	121, 129
M412756 .....	127
M412771 .....	103, 109, 113, 115, 117, 119

M412772 .....	101, 103, 105, 107, 109, 111, 113, 115, 117, 119
Door Assembly	
70176501 .....	33
70176502 .....	33
70176503 .....	33
70176504 .....	33
Door Glass	
M400784 .....	33
70133601 .....	33
Door Glass Seal	
70211901 .....	33
Door Handle	
M400133 .....	33
430117 .....	33
70024801 .....	33
70133501 .....	33
Door Hinge	
70115901* .....	33
70115902 .....	33
Door Hinge Cam Assembly	
44035101 .....	33
44035201 .....	33
Door Latch	
M401223 .....	27
Door Ring Gasket	
70211601 .....	33
Door Strike Screw	
M400661 .....	33
Door Switch Cover	
44001301 .....	27
Door Switch Wire Channel	
44001801 .....	25
Drive Motor	
M412519P .....	136
M412520P .....	136

## E

Electric Contactor	
M412403 .....	121, 123, 125, 127, 129, 131, 133, 135
Electronic Control	
510034 .....	19
Electronic Control Overlay	
70184301 .....	19
70184302 .....	19
70239601 .....	19
70239602 .....	19
Emergency Stop Button	
44018801 .....	67
End Barrier	
M412633 .....	101, 103, 105, 107, 109, 111, 113, 115, 117, 119, 121, 123, 125, 127, 129, 131, 133, 135
End Section	
M412540 .....	101, 103, 105, 107, 109, 111, 121, 125, 129, 133
End Stop	
M412615 .....	113, 115, 117, 119, 123, 127, 131, 135
70121001 .....	101, 103, 105, 107, 109, 111, 113, 115, 117, 119, 121, 123, 125, 127, 129, 131, 133, 135
Expansion Clip	
70030501 .....	25

Extension Handle	
M412370 .....	101, 103, 105, 107, 109, 111, 113, 115, 117, 119
M412371 .....	121, 123, 125, 127, 129, 131, 133, 135
Extension Spring	
M412120 .....	41

## F

Fan	
M400086P .....	47
M410088P .....	47
Fan Contactor	
M413614 .....	71, 73, 75, 79, 81, 85, 87, 91, 93
Fan Housing Cover	
M401362 .....	47
Fan Motor	
M410860 .....	136
M412513P .....	136
M412515 .....	136
M412516P .....	136
M412518 .....	136
44007101 .....	136
44007301 .....	136
Fan Motor Harness	
M412574 .....	47
M413281 .....	47
M413686 .....	47, 49
44006101 .....	47
44006201 .....	47
Felt Pad	
M402144 .....	35
Ferrite Core	
M413930 .....	131, 133, 135
Ferrite Core Assembly	
M413930 .....	129
Finger Guard	
M412366 .....	101, 103, 105, 107, 109, 111, 113, 115, 117, 119
M412367 .....	121, 123, 125, 127, 129, 131, 133, 135
Front Panel	
44000211* .....	27
44000212* .....	27
Front Panel Harness	
44006901 .....	25
44007001 .....	25
44023701 .....	25
Front Panel, Card	
44000203* .....	27
44000204 .....	27
Front Panel, Coin	
44000201* .....	27
44000202 .....	27
Front Panel, OPL	
44000205* .....	27
44000206 .....	27
Fuse	
M412996 .....	113, 115, 123, 127
M413118 .....	69, 71, 73, 77, 79, 83, 85, 89, 91
M413621 .....	75, 81, 87, 93, 117, 119, 131, 135
M413867 .....	107, 109, 129, 133
M414103 .....	17
M414232 .....	7
502593 .....	101, 103, 105, 111, 121, 125

Fuse Bracket	
M413575 .....	69, 71, 73, 77, 79, 83, 85, 89, 91
M413576 .....	75, 81, 87, 93
Fuse Holder	
M412537 .....	101, 103, 105, 107, 109, 111
M412538 .....	113, 117
M413544 .....	75, 81, 87, 93
91024 .....	69, 71, 73, 77, 79, 83, 85, 89, 91
Fuse Receptacle	
91024 .....	7
Fuse Sticker	
M413816 .....	69, 71, 73, 77, 79, 83, 85, 89, 91
M413817 .....	75, 81, 87, 93
Fuseholder	
M412537 .....	121, 125, 129, 133
M412538 .....	123, 127, 131, 135

## G

Gas Piping Elbow	
M413443 .....	53
Gas Valve	
M410907 .....	53
M410908 .....	53
M413332 .....	53
M413333P .....	53
M413463 .....	53
M413464 .....	53, 57
M413467 .....	53
M413468P .....	53, 57
Gas Valve Bracket	
M406814 .....	53, 57
Gas Valve Coil	
44042901 .....	53, 57
Gas Valve Harness	
M412997 .....	53, 57
M413650 .....	53
Ground Buss	
M412656 .....	101, 103, 105, 107, 109, 111, 113, 115, 117, 119, 121, 123, 125, 127, 129, 131, 133, 135
Ground Lug Connector	
M411283 .....	95, 97, 99
Ground Marker	
M403047 .....	69, 71, 73, 75, 77, 79, 81, 95, 97, 99
Ground Screw	
M402917 .....	69, 71, 73, 75, 77, 79, 81, 95, 97, 99
Ground Terminal	
M406178 .....	9, 15
Ground Wire	
M412645 .....	9, 15, 17, 19, 21
Guard	
M410544 .....	63
Guide Rail	
M412476 .....	41

## H

Harness	
M413168 .....	7
M413678 .....	7
M413679 .....	7
M413680 .....	7

M413691 .....	55
M413824 .....	7
M413993 .....	7
M413994 .....	7
M414035 .....	7
44006301 .....	7
44006501 .....	7
Harness Accessory Box Assembly	
M413696 .....	97, 99
M413932 .....	95
Harness Assembly	
M412642 .....	111
M413683 .....	73, 75, 85, 87
M413684 .....	79, 81, 91, 93
M414034 .....	109, 119
44005801 .....	69, 83
44005901 .....	71
44006001 .....	77, 89
44008001 .....	81, 91
Harness Capacitor Network Assembly	
M413878 .....	69, 71, 73, 75, 77, 79, 81, 83, 85, 87, 89, 91, 93
Harness Jump Assembly	
M414077 .....	117, 119
Harness Jumper Assembly	
M412644 .....	101, 105, 107, 111
M412778 .....	113, 115
M412803 .....	131
M412871 .....	129
M414078 .....	129, 133
M414079 .....	131, 135
Harness Jumper Set Assembly	
M413883 .....	95, 97
Harness Relay Assembly	
M414032 .....	107, 109, 117, 119
M414149 .....	129, 133
M414150 .....	131, 135
M414224 .....	107, 109
44010701 .....	107
Harness Transformer Assembly	
M414028 .....	117, 119, 129, 133, 135
M414029 .....	107, 109, 117, 119, 129, 131, 133, 135
M414076 .....	107, 109
Heater Cable	
M413959 .....	59
M413960 .....	59
Heater Cable Harness	
M412801 .....	61
M412802 .....	61
Heater Element	
M410939P .....	59, 61
M410940P .....	59
M410941P .....	59, 61
Hex Nut	
M412688 .....	101, 103, 105, 107, 109, 111, 113, 115, 117, 119, 121, 123, 125, 127, 129, 131, 133, 135
High Limit Thermostat	
M409433 .....	59, 61
High Voltage Lead	
M410989 .....	7
44005401 .....	7
Hinge Lug	
44035001 .....	33
Hole Plug	
M413968 .....	95, 97, 99

---

**I**

Idler Arm	
M414320 .....	45
Idler Housing	
M412103 .....	45
M412612 .....	43
Idler Housing Assembly	
M412228 .....	45
Idler Housing Guide Rail	
M412476 .....	39
Idler Housing Kit	
M412630P .....	43
Idler Shaft	
M412223 .....	45
M414241 .....	43
Idler Wheel	
430619 .....	45
Ignition Control	
M410904P .....	7
M413433P .....	7
M413532P .....	7
Indicator Light	
70082201 .....	9, 15
Insulator	
M413862 .....	69, 71, 73, 75, 77, 79, 81, 83, 85, 87, 89, 91, 93
Interface Board	
210095 .....	23

---

**J**

Jam Nut	
M400033 .....	41
02428 .....	51
Jumper Assembly	
M413168 .....	77, 79, 81, 91
M413624 .....	79, 81, 91, 93
M413625 .....	79, 81, 91, 93
M413694 .....	77, 89
M413695 .....	77, 89
Jumper Bar	
M400866 .....	59, 61
Jumper Bypass Assembly	
M413168 .....	89, 93
Jumper Cable	
M412740 .....	121, 125, 129, 133
M414121 .....	123, 127, 131, 135
Jumper Cable Assembly	
M413933 .....	95, 97, 99
M413934 .....	95
Jumper Calibration	
70084104 .....	9
Jumper Configuration Assembly	
M413506 .....	73, 79, 85, 91
M413507 .....	69, 71, 73, 77, 79, 83, 85, 89, 91, 107, 109, 129, 133
M413508 .....	75, 81, 87, 93, 117, 119, 131, 135
M413509 .....	87, 93, 131, 135
M413510 .....	75, 81, 87, 93
Jumper Harness	
M412644 .....	103, 109

Jumper Strip	
M400869 .....	59, 61
Jumper Wire	
M412287 .....	59, 61
M412803 .....	123, 127
M412871 .....	121, 125
Jumper-Bypass Wire	
M414874 .....	21
Junction Box	
M412648 .....	101, 103, 105, 107, 109, 111, 113, 115, 117, 119

---

**K**

Keps Nut	
23951 .....	69, 71, 73, 75, 77, 79, 81, 83, 85, 87, 89, 91, 93, 107, 109, 117, 119, 129, 131, 133, 135
Key	
H8652006P .....	49
M400008 .....	35, 41
M400993 .....	43, 47
M400994 .....	47
M401327 .....	41, 43
M405232 .....	35
Kickplate	
70117607 .....	29
70117608 .....	29

---

**L**

Lint Panel	
44000001* .....	29
44000002 .....	29
Lint Panel Switch	
44011601 .....	25
Lint Panel Switch Bracket	
44011501 .....	25
Lint Screen	
44020701 .....	31
Loading Spring	
M400401 .....	43
Lock	
70155501 .....	27
Lock Nut	
M400035 .....	41
Lockwasher	
M400013 .....	39, 47, 49, 51
M400014 .....	39, 41, 47, 49
M400015 .....	35, 37
M403958 .....	39, 41, 51
M412188 .....	39, 41
02834 .....	51
Lock, Lint Panel	
70155501 .....	27
70155502 .....	27
Lug Hinge Assembly	
44035001 .....	27
L.P. Gas Conversion Kit	
M4542P3 .....	53, 57

---

**M**

Manifold Pipe	
M406681 .....	53, 57
M413395 .....	53
Micro V Belt	
M411425 .....	41
Micro V Pulley	
M411466 .....	45
Micro V Sheave	
M412156 .....	41
Motor	
M410860 .....	49
Motor Base	
M413391 .....	49
Motor Base Channel	
M413392 .....	49
Motor Bracket	
M411483 .....	39, 41
Motor Contactor	
M412404 .....	101, 105, 107, 111, 113, 117, 121, 123, 125, 127, 129, 131, 133, 135
Motor Hardware Kit	
M4426P3 .....	47
Motor Mount Assembly	
M413617 .....	39, 51
Motor Mounting Bracket	
M411483 .....	47
M413391 .....	49
Motor Mounting Ring Kit	
M4525P3 .....	47
Motor Pulley	
M414564 .....	47
M414566 .....	47
Mounting Assembly	
44013701 .....	17
Mounting Plate	
70208801 .....	21
Multitap Transformer	
M414228 .....	69, 71, 73, 79, 83, 85, 89, 91, 107, 109, 129, 133
M414229 .....	75, 81, 87, 93, 117, 119, 131, 135

---

**N**

NetMaster Control Assembly	
505905P .....	21
Network Capacitor Assembly	
M413863 .....	69, 71, 73, 75, 77, 79, 81, 83, 85, 87, 89, 91, 93
Network Harness Assembly	
800217 .....	19, 21
Nipple	
M400749 .....	53, 57
Nut	
H88412101 .....	39, 41
M400022 .....	47
M400026 .....	37, 39, 41
M400034 .....	47
M400977 .....	25, 63
M401548 .....	53, 57
M401549 .....	53, 57
M404993 .....	35

02428 .....	39, 47, 49
02788 .....	27
20274 .....	39, 47, 49, 51
21899 .....	31
23951 .....	29, 33
29786 .....	25, 33
52566 .....	45
56156 .....	45
70054 .....	9, 13, 17, 19, 21, 59, 61
70142 .....	51

---

**O**

Overlay	
70113501 .....	9
70114301 .....	9
70115801 .....	17
70128401 .....	17
70128601 .....	17
70128701 .....	17
70129101 .....	9
70130301 .....	17
70130401 .....	17
70130501 .....	17
70130601 .....	17
70130701 .....	17
70131001 .....	9
70134801 .....	9
70135301 .....	17
70183501 .....	9
70184303 .....	21
70184401 .....	21
70239501 .....	21
70239603 .....	21

---

**P**

Panel Locator	
56079 .....	25, 29
Pop Rivet	
70126301 .....	29
70126401 .....	29
Pop-Dome Rivet	
M400003 .....	27
Power Distribution Block	
M413865 .....	95, 97, 99, 121, 123, 125, 127, 129, 131, 133, 135
Power Distribution Block Cover	
44014901 .....	121, 123, 125, 127, 129, 131, 133, 135
Power Relay	
502501 .....	69, 77, 83, 89
Pulley	
M412884 .....	39
M412916 .....	39
M412931 .....	39
M414565 .....	51
M414567 .....	51

---

**R**

Relay	
M412534 .....	15, 101, 103, 105, 107, 109, 111, 113, 115, 121, 123, 125, 127



Relay Harness	
M412636	101, 103
M412639	105
M412707	103, 111, 113, 115
M412766	123, 127
M412775	123
M412776	121, 125
M412777	121
Repair Kit	
M412259	65
Reset Switch	
M413431	7
Return Lead	
M411061	7
Rev Timer Harness Assembly	
44008001	93
Reversing Contactor	
M412405	103, 109, 115, 119, 125, 127, 133, 135
M413615	77, 79, 81, 89, 91, 93
Reversing Contactor Harness Assembly	
M414034	133, 135
Reversing Contactor Jumper	
M412926	103, 109
M412927	103, 109
M412928	115, 119, 125, 127, 133, 135
M412929	115, 119, 125, 127, 133, 135
Reversing Timer	
M412081	77, 79, 81, 89, 91, 93
Reversing Timer Harness	
M412930	103, 115
M412932	125, 127
Reversing Timer Harness Assembly	
44008001	77, 79, 89
Rib Rod	
M404992	35
Ring	
M400399	41
Rocker Switch	
M413270	15
70108501	15

## S

Screw	
H8800901H	49
M400043	39, 41
M400044	33, 69, 71, 73, 75, 77, 79, 81, 83, 85, 87, 89, 91, 93, 107, 109, 117, 119, 129, 131, 133, 135
M400056	51
M400057	39, 47, 49, 51
M400061	39, 41
M400063	37
M400071	107, 109
M400072	63
M400077	47
M400664	55, 57, 63
M401938	25, 63
M402574	27
M402585	25, 33
M402797	15, 55
M405525	39
M405824	69, 71, 73, 75, 77, 79, 81, 83, 85, 87, 89, 91, 93
M409385	33
M410059	47

M411052	15
M411072	25
M411143	7
M412627	39, 41
M413565	51
22688	49, 51
32671	121, 123, 125, 127, 129, 131, 133, 135
33562	59, 61, 101, 103, 105, 111, 113, 115, 121, 123, 125, 127, 129, 131, 133, 135
39733	25, 29
430497	7, 9, 15, 47, 53, 55, 57, 59, 61, 63, 65
430648	45
430756	33
431287	27
44023301	25, 33
501086	101, 103, 105, 111, 113, 115, 121, 123, 125, 127
501524	19, 21
51778	69, 77, 83, 89
51780	7, 63, 77, 101, 103, 105, 107, 109, 111, 113, 115, 117, 119, 121, 123, 125, 127, 129, 131, 133, 135
51782	25
61199	33
70033504	27, 33
70069901	7, 9, 13, 17
70072801	29
70113001	29, 33
70187201	37, 43
70240301	53, 57, 59, 61
70247701	31
Setscrew	
M400065	41
M400077	45
Shadow Box Clip	
M400972	25
Sheave	
M400092P	41
Shield	
M414873	7
Shroud	
70061701	9
Shutoff Valve	
M406455	53, 57
Snap Bushing	
M400770	83, 85, 87, 89, 91, 93
M402542	95, 97, 99
M411537	69, 71, 73, 75, 77, 79, 81, 83, 85, 87, 89, 91, 93
Snap In Plug Button	
M400985	69, 71, 73, 75, 77, 79, 81, 83, 85, 87, 89, 91, 93
Spacer	
M401402	35
M413269	39
44024001	39
70030201	29
Spark Igniter	
M406934P	53, 57
M410905	53
Spring Return	
M405138B	11
Spud Holder	
M406810	53, 57
Standoffs	
210098	23

Start Switch	
70108501 .....	9
Steam Coil	
M400637 .....	65
Steam Heater Assembly	
44020401 .....	65
Steam Valve	
M412241 .....	65
M413445 .....	65
M413446 .....	65
Steam Valve Coil	
M412258 .....	65
M413451 .....	65
Switch	
M400001 .....	11
M400947 .....	11
44018201 .....	27
70107001 .....	19, 21
Switch Bracket	
44005101 .....	7
Switch Plate	
M413236 .....	15

## T

Tailpiece	
M410793 .....	53, 57
M413349 .....	53
Tap Screw	
M412105 .....	77, 79, 81, 89, 91, 93
32671 .....	95, 97, 99
430497 .....	69, 71, 73, 75, 77, 79, 81, 83, 85, 87, 89, 91, 93
501086 .....	75, 81, 87, 93
51778 .....	69, 71, 73, 75, 77, 79, 81, 83, 85, 87, 89, 91, 93
51780 .....	69, 71, 73, 75, 79, 81, 83, 85, 87, 89, 91, 93, 95, 97, 99
Temperature Control Board	
431347P .....	9, 13
Temperature Control Bracket	
44018601 .....	15
Temperature Knob	
44020501 .....	9, 15
44020502 .....	9, 15
Temperature Switch	
431353 .....	13
431353P .....	9
Tension Plate Assembly	
M414405 .....	39, 41
Terminal Block	
M405364 .....	69, 71, 73, 75, 77, 79, 81, 83, 85, 87, 89, 91, 93
M412631 .....	101, 103, 105, 107, 109, 111, 113, 115, 117, 119, 121, 123, 125, 127, 129, 131, 133, 135
M412632 .....	101, 103, 105, 107, 109, 111, 113, 115, 117, 119, 121, 123, 125, 127, 129, 131, 133, 135
430642 .....	69, 71, 73, 75, 77, 79, 81, 83, 85, 87, 89, 91, 93
Terminal Fuse Holder Block	
M412538 .....	115, 119

Terminal Strip	
M413542 .....	69, 71, 73, 75, 77, 79, 81, 83, 85, 87, 89, 91, 93
Thermostat	
M401404 .....	55
M410220 .....	57
M411943 .....	55
Thermostat Bracket	
M406882 .....	55
M413660 .....	57
Thermostat Cover	
M414477 .....	55
Timer	
M412079P .....	15
M412080P .....	13
70131701P .....	13
70131801P .....	15
Timer Knob	
M410927 .....	15
70082101 .....	15
Timer Motor	
70218201 .....	11
70218301 .....	11
Timing Cam	
M400732P .....	11
M400733P .....	11
M400734P .....	11
M400735P .....	11
M400736P .....	11
M400737P .....	11
M400738P .....	11
M400739P .....	11
M400740P .....	11
M400741P .....	11
Top Cover	
M414676 .....	31
M414760 .....	31
Transformer	
M412412 .....	113, 115, 123, 127
M412477 .....	101, 103, 105, 111, 121, 125
M414228 .....	77
M414230 .....	69
M414312 .....	69
Transformer Assembly	
M414028 .....	131
Transformer Harness	
M412641 .....	101, 103, 105, 111, 113, 115, 121, 123, 125, 127
M412642 .....	101, 103, 105, 121, 125
Trunnion	
M413835P .....	35
M413836 .....	35
Trunnion Housing	
M413826 .....	37
Trunnion Housing Assembly	
M413832 .....	37
Twin Speed Nut	
M400979 .....	25, 63

## V

Vane	
M400253 .....	63
M413475 .....	63

Vane Assembly	
M400541 .....	63
M413539 .....	63
Vane Lever	
M400753 .....	63

---

## **W**

Washer	
M400080 .....	39, 41, 47, 49, 51
M400991 .....	47
M405535 .....	9, 45
Q6712 .....	37
20103 .....	37
430782 .....	45
Wheel	
70030101 .....	29
Wire	
M413934 .....	121, 123, 125, 127, 129, 131, 133, 135
44014501 .....	121, 123, 125, 127, 129, 131, 133, 135
44014601 .....	121, 125, 129, 133
44014701 .....	121, 125, 129, 133
44014801 .....	123, 127, 131, 135