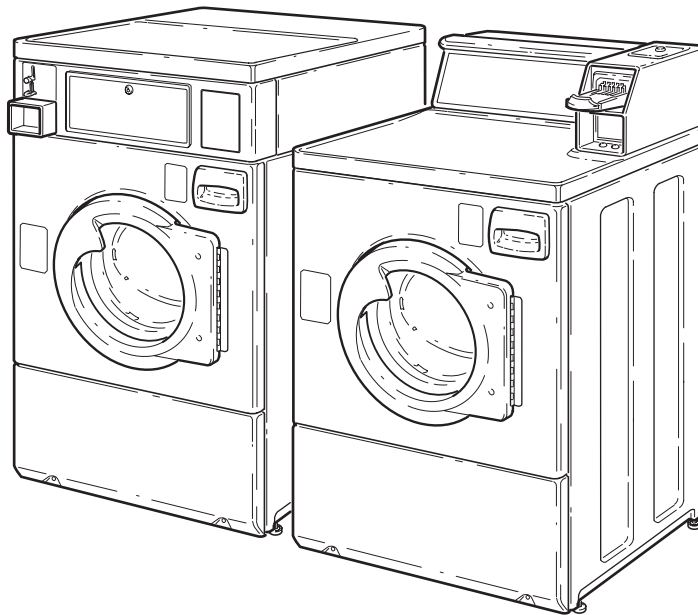


Commercial Frontload Washers

Refer to Page 3 for Model Numbers



FLW1514C

Table of Contents

Title	Page
Parts Ordering Information	2
Nameplate Location	2
Model Identification	3
Control Panel and Controls	4
Control Cabinet Controls	6
Control Cabinet and Coin Drop	8
Control Cabinet and Card Reader	10
Meter Case, Service Door and Cabinet Top	12
Coin Drop, Meter Case, Service Door and Cabinet Top	14
Control Panel, Control Hood and Controls	16
Control Panel, Control Hood and Controls	18
Control Panel, Control Hood and Controls	20
Front Panel, Door Assembly and Door Seal	22
Dispenser Assembly and Supply Injection Hoses	24
Dispenser Assembly	26
Mixing Valve, Inlet Hose and Dispenser Hose	28
Outer Tub, Front, Clamp Ring and Inner Basket	30
Bearing Housing Assembly and Pulley	32
Motor and Belt	34
Drain Hoses	36
Hoses and Pump	38
Base, Side Panels and Rear Panel	40
Junction Box	42
Shipping Materials	44
Wire Ties, Harness Clips and Power Cord	46
Special Tools	48
Labels	50
Wire Harnesses and Wires	52
Parts Index	53

© Copyright 2003, Alliance Laundry Systems LLC

All rights reserved. No part of the contents of this book may be reproduced or transmitted in any form or by any means without the expressed written consent of the publisher.

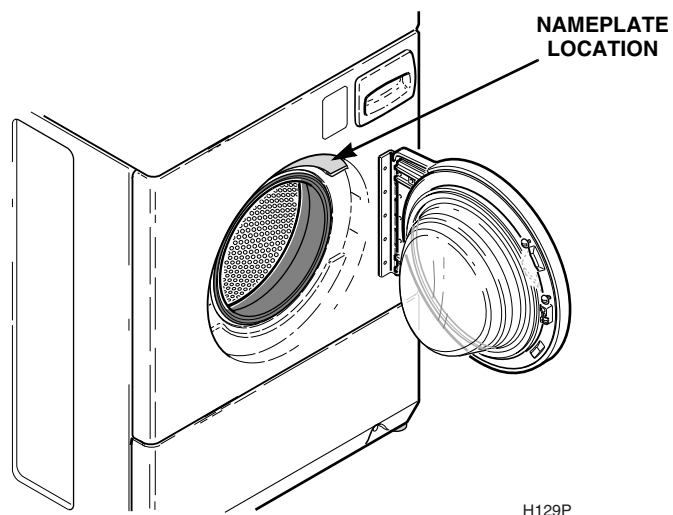
Parts Ordering Information

If literature or replacement parts are required, contact the source from whom the machine was purchased or contact Alliance Laundry Systems at (920) 748-3950 for the name and address of the nearest authorized parts distributor.

For technical assistance, call (920) 748-3121.

Nameplate Location

When calling or writing about your product, be sure to mention model and serial numbers. Model and serial numbers are located on nameplate(s) as shown.



H129P

Model Identification

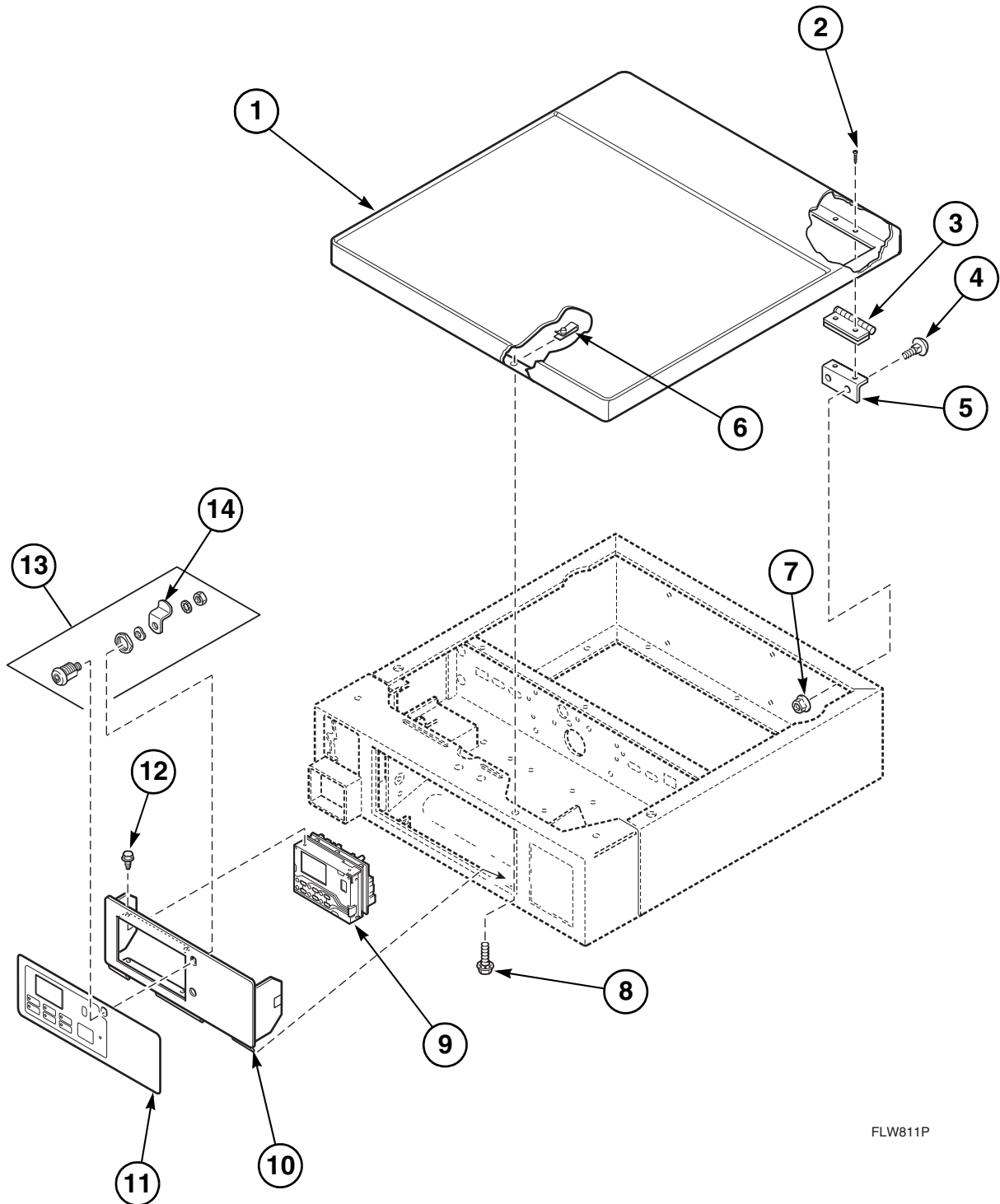
Information in this manual is applicable to these washers.

HWFT61*N	HWRT61*N	SWFBE1*N	SWFF61*N	SWFX61*N	SWRBE1*N	SWRY61*N
HWFT63*N	HWR961*N	SWFB61*N	SWFJ61*N	SWFY61*N	SWRB61*N	SWR961*N
HWFZ61*N	HWR963*N	SWFB62*N	SWFT61*N	SWFZ61*N	SWRF61*N	SWR963*N
HWFZ63*N	SWFA61*N	SWFB63*N	SWFT63*N	SWFZ63*N	SWRT61*N	

* Add Letter To Designate Color. W – White Q – Bisque

Control Panel and Controls

Front Control Models



FLW811P

Control Panel and Controls

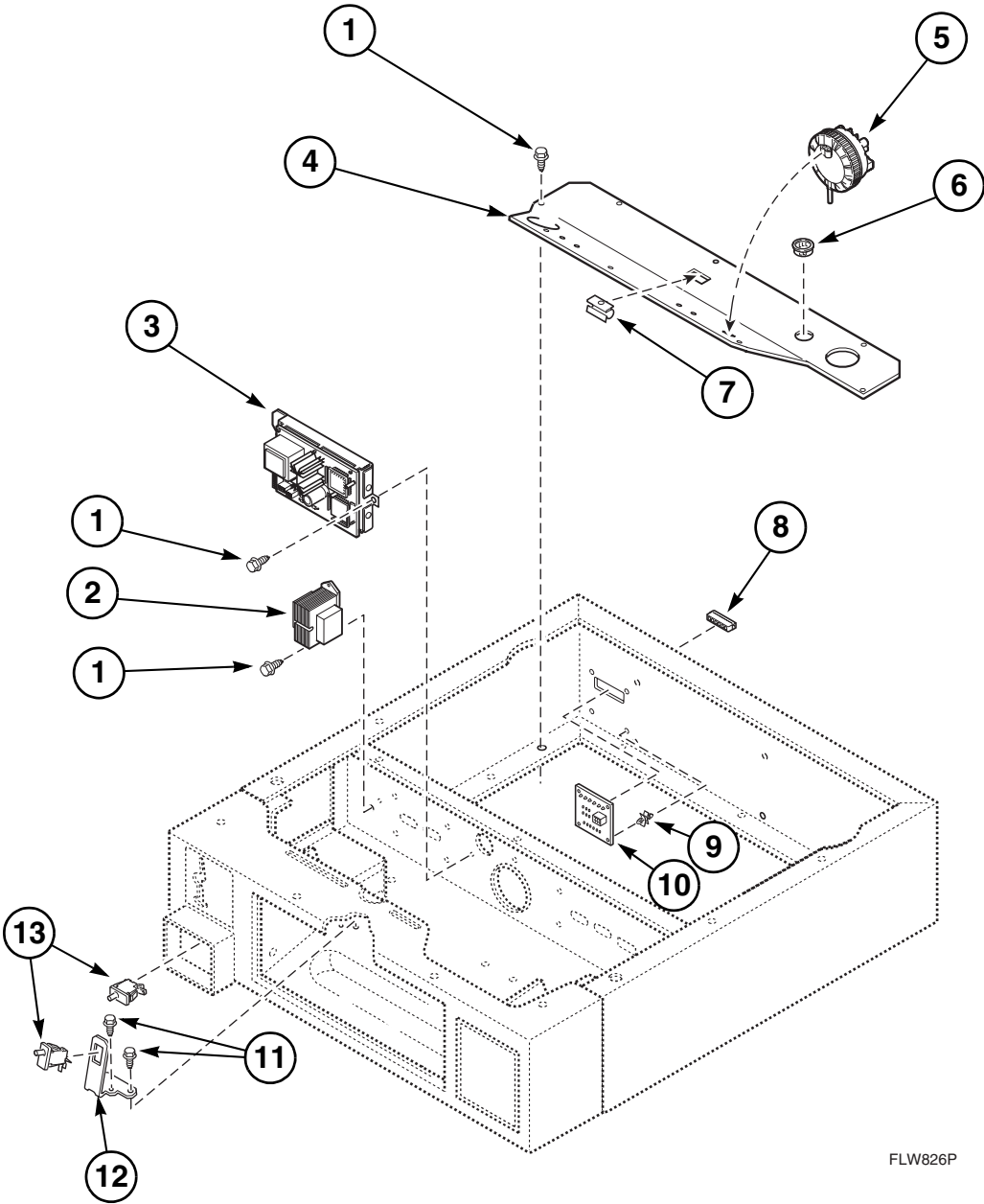
Front Control Models

REF	PART #	DESCRIPTION	COMMENTS
1	511529*P	Cabinet Top Kit	Includes 511529* Cabinet Top, 10-02788 Nuts, 10-34337 Screws, 2-510146 "L" Brackets and 2 each items 2 and 4
2	685847	Rivet	
3	511036	Hinge	
4	29651	Bolt	
5	504228	Hinge Bracket	
6	36020	Nut	
7	29796	Nut	
8	23008	Screw	
9	800671	Electronic Control	Models SWFA61*N, SWFBE1*N, SWFB61*N, SWFB62*N, SWFB63*N, SWFF61*N and SWFJ61*N
	801449	Electronic Control	Models HWFT61*N, HWFT63*N, HWFZ61*N, HWFZ63*N, SWFT61*N, SWFT63*N, SWFX61*N, SWFY61*N, SWFZ61*N and SWFZ63*N
10	800035*	Control Panel Assembly	
11	800033	Control Panel Overlay	Models SWFF61*N and SWFJ61*N
	800413	Control Panel Overlay	Models SWFA61*N, SWFBE1*N, SWFB61*N, SWFB62*N and SWFB63*N
	800416	Control Panel Overlay	Model HWFB63*N
	801050	Control Panel Overlay	Models SWFT61*N, SWFT63*N, SWFX61*N, SWFY61*N, SWFZ61*N and SWFZ63*N
	801053	Control Panel Overlay	Models HWFT61*N, HWFT63*N, HWFZ61*N and HWFZ63*N
12	501524	Screw	
13	27260	Lock Assembly	
14	27261	Cam	

* Add Letter To Designate Color. W – White Q – Bisque

Control Cabinet Controls

Front Control Models



FLW826P

Control Cabinet Controls

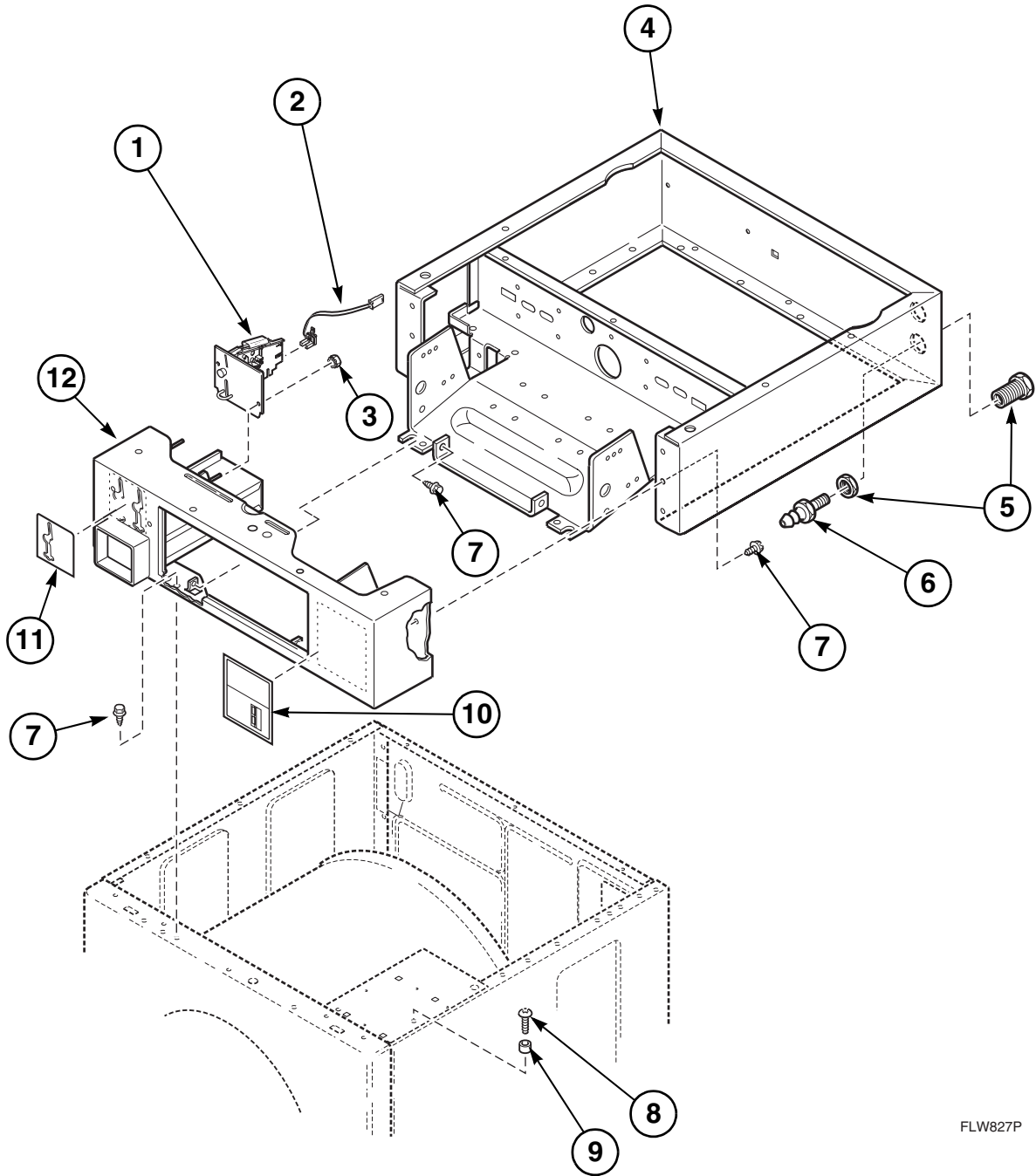
Front Control Models

REF	PART #	DESCRIPTION	COMMENTS
1	503661	Screw	
2	210019	Transformer	Models SWFA61*N, SWFX61*N and SWFY61*N
	210018	Transformer	All other models
3	210016	Network Board	Model SWFJ61*N
4	801371	Control Shield	
5	801610	Pressure Switch	Model SWFBE1*N
	800468	Pressure Switch	All other models
6	M402542	Bushing	
7	36985	Clip	
8	210099	Connector	Model SWFJ61*N
9	210098	Standoff	Model SWFJ61*N
10	210095	Communication Board	Model SWFJ61*N
11	503688	Screw	
12	800379	Bracket	
13	504570	Switch	

* Add Letter To Designate Color. W – White Q – Bisque

Control Cabinet and Coin Drop

Models HWFT61*N, HWFT63*N, HWFZ61*N, HWFZ63*N, SWFA61*N, SWFBE1*N, SWFB61*N, SWFB62*N, SWFB63*N, SWFT61*N, SWFT63*N, SWFX61*N, SWFZ61*N and SWFZ63*N



FLW827P

* Add Letter To Designate Color. W – White Q – Bisque

Control Cabinet and Coin Drop

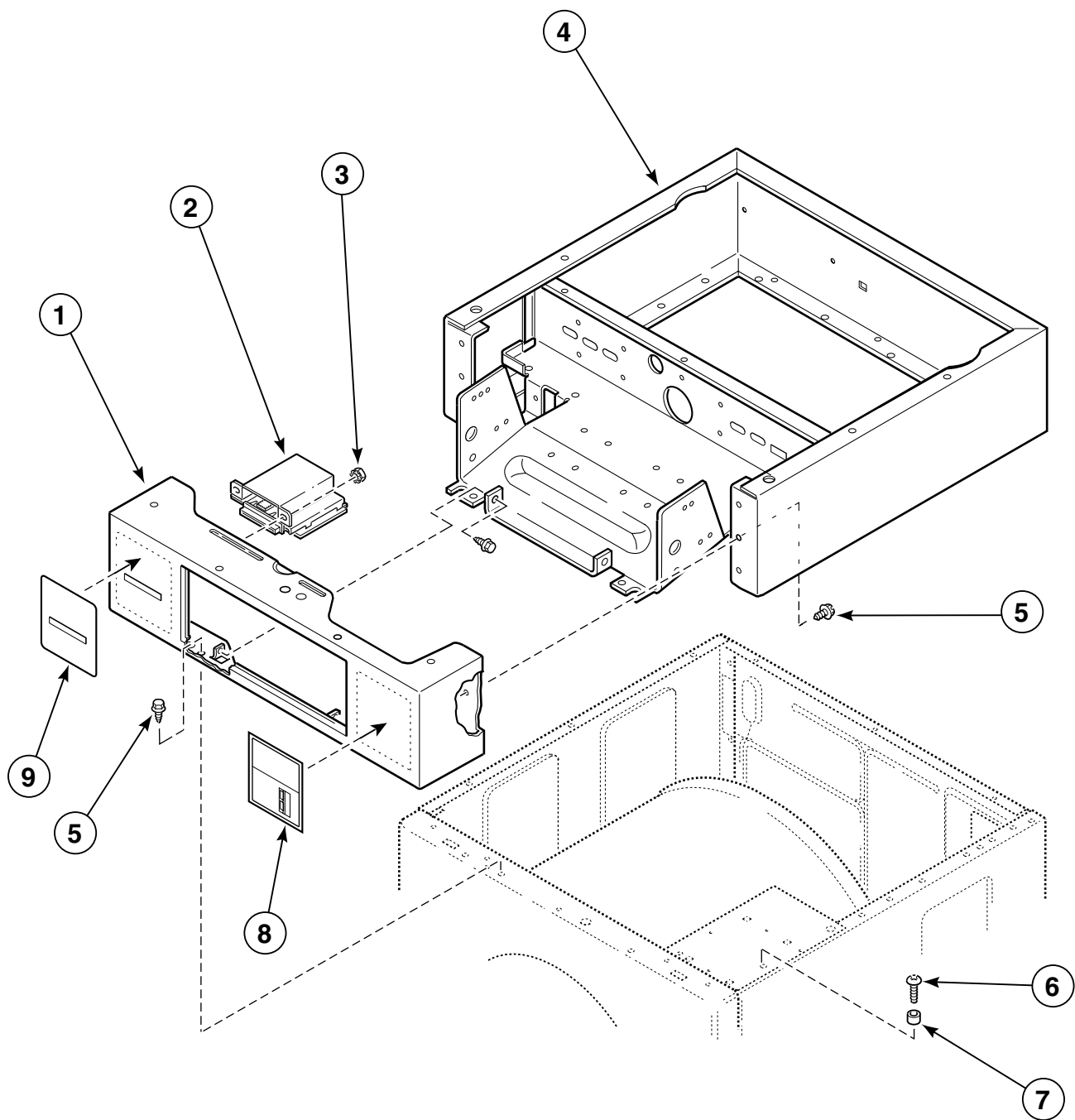
Models HWFT61*N, HWFT63*N, HWFZ61*N, HWFZ63*N, SWFA61*N, SWFBE1*N, SWFB61*N,
SWFB62*N, SWFB63*N, SWFT61*N, SWFT63*N, SWFX61*N, SWFZ61*N and SWFZ63*N

REF	PART #	DESCRIPTION	COMMENTS
1	38479	Coin Drop	
2	200674	Optic Switch	
3	29786	Nut	
4	801642*	Control Cabinet Wrapper	Model SWFB62*N
	505753*	Control Cabinet Wrapper	All other models
5	801638	Union	Model SWFB62*N
6	801639	Connector	Model SWFB62*N
7	503688	Screw	
8	39733	Screw	
9	56079	Panel Locator	
10	685942	Instruction Label	
11	38717	Overlay	
12	511633*	Control Cabinet Front	

* Add Letter To Designate Color. W – White Q – Bisque

Control Cabinet and Card Reader

Models SWFF61*N, SWFJ61*N and SWFY61*N



H133PZ3A

* Add Letter To Designate Color. W – White Q – Bisque

Control Cabinet and Card Reader

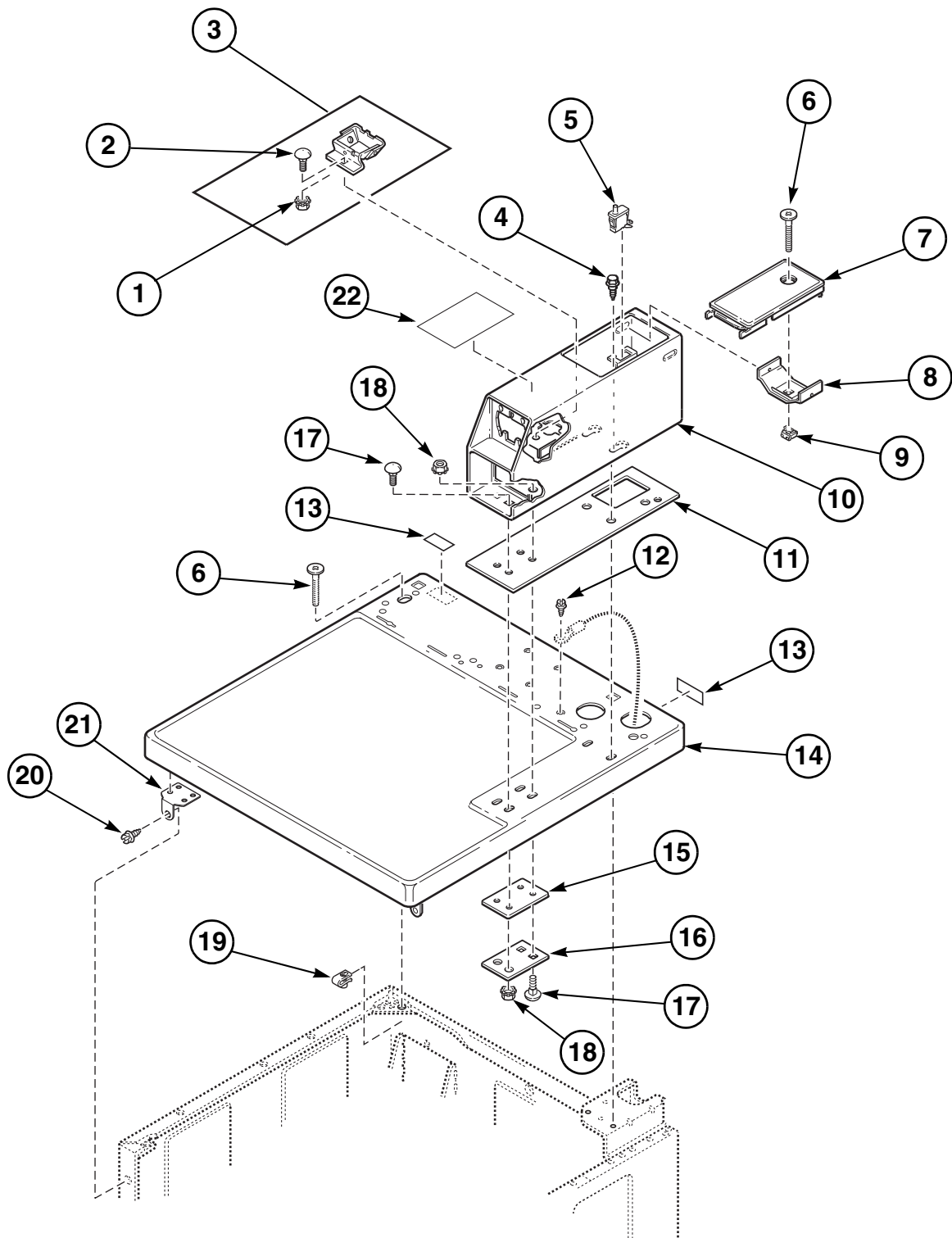
Models SWFF61*N, SWFJ61*N and SWFY61*N

REF	PART #	DESCRIPTION	COMMENTS
1	511209*	Control Cabinet Front	
2	510068	Card Reader Assembly	
3	70054	Nut	
4	505753*	Control Cabinet Wrapper	
5	503688	Screw	
6	39733	Screw	
7	56079	Panel Locator	
8	685942	Instruction Label	
9	511544	Overlay	Model SWFY61*N
	800230	Overlay	All other models

* Add Letter To Designate Color. W – White Q – Bisque

Meter Case, Service Door and Cabinet Top

Models HWR961*N, HWR963*N, SWR961*N and SWR963*N



FLW812P

* Add Letter To Designate Color. W – White Q – Bisque

Meter Case, Service Door and Cabinet Top

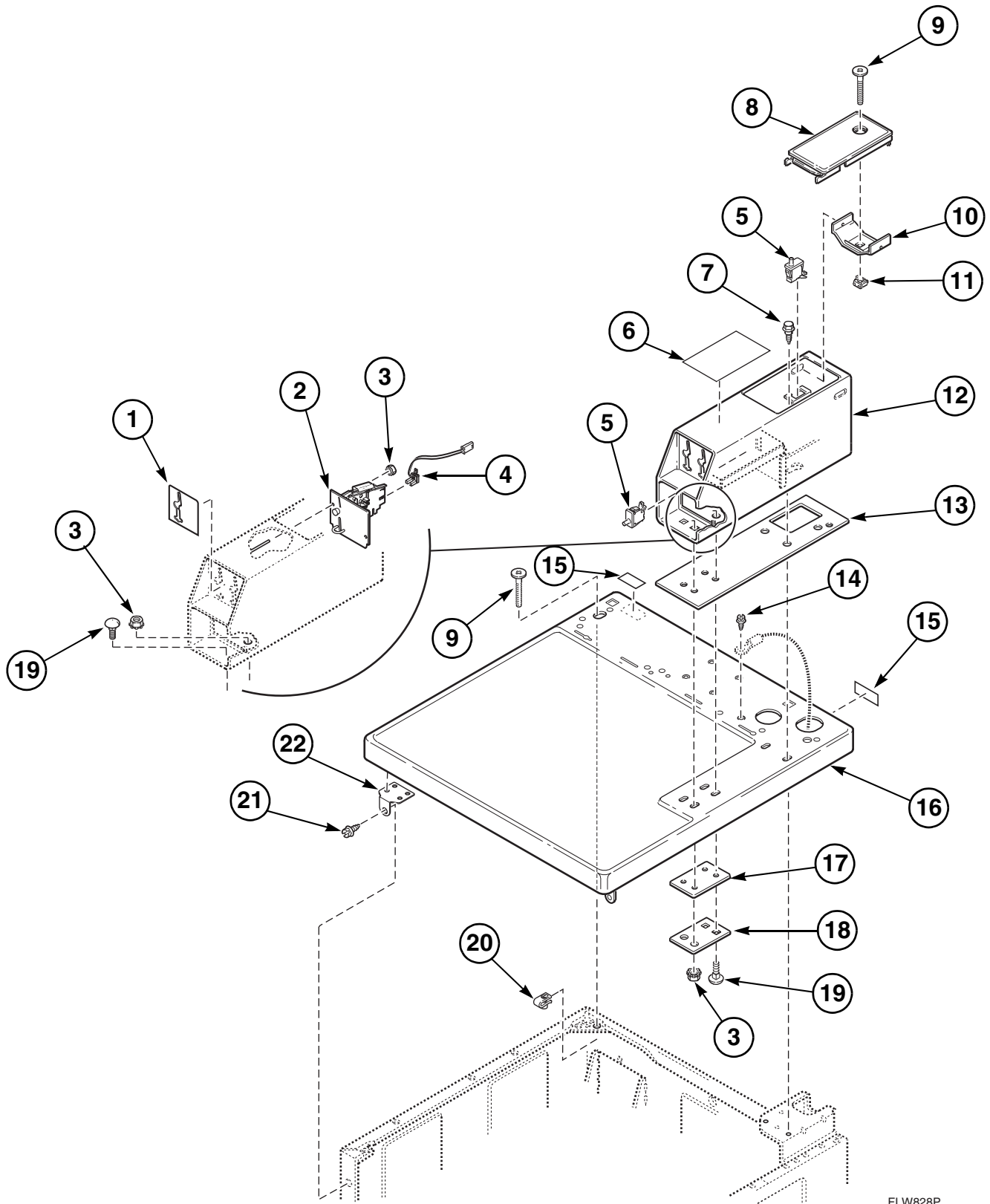
Models HWR961*N, HWR963*N, SWR961*N and SWR963*N

REF	PART #	DESCRIPTION	COMMENTS
1	M412986	Nut	
2	29651	Bolt	
3	523P3	Coin Funnel Kit	
4	36048	Screw	
5	504570	Switch	
6	503673	Screw	
7	39874*	Service Door	
8	30642	Bracket	
9	30647	Retainer Nut	
10	801330*	Meter Case	
11	26354	Meter Case Gasket	
12	52909	Screw	
13	505281	Warning Label	
14	511527*P	Cabinet Top	
15	35526	Gasket	
16	35525	Bracket	
17	02505	Carriage Bolt	
18	29786	Nut	
19	27222	Retainer Nut	Use for added security
20	503661	Screw	
21	510146	Bracket	Included with item 14
22	800137	Instruction Label	

* Add Letter To Designate Color. W – White Q – Bisque

Coin Drop, Meter Case, Service Door and Cabinet Top

Models HWRT61*N, SWRBE1*N, SWRB61*N and SWRT61*N



FLW828P

* Add Letter To Designate Color. W – White Q – Bisque

Coin Drop, Meter Case, Service Door and Cabinet Top

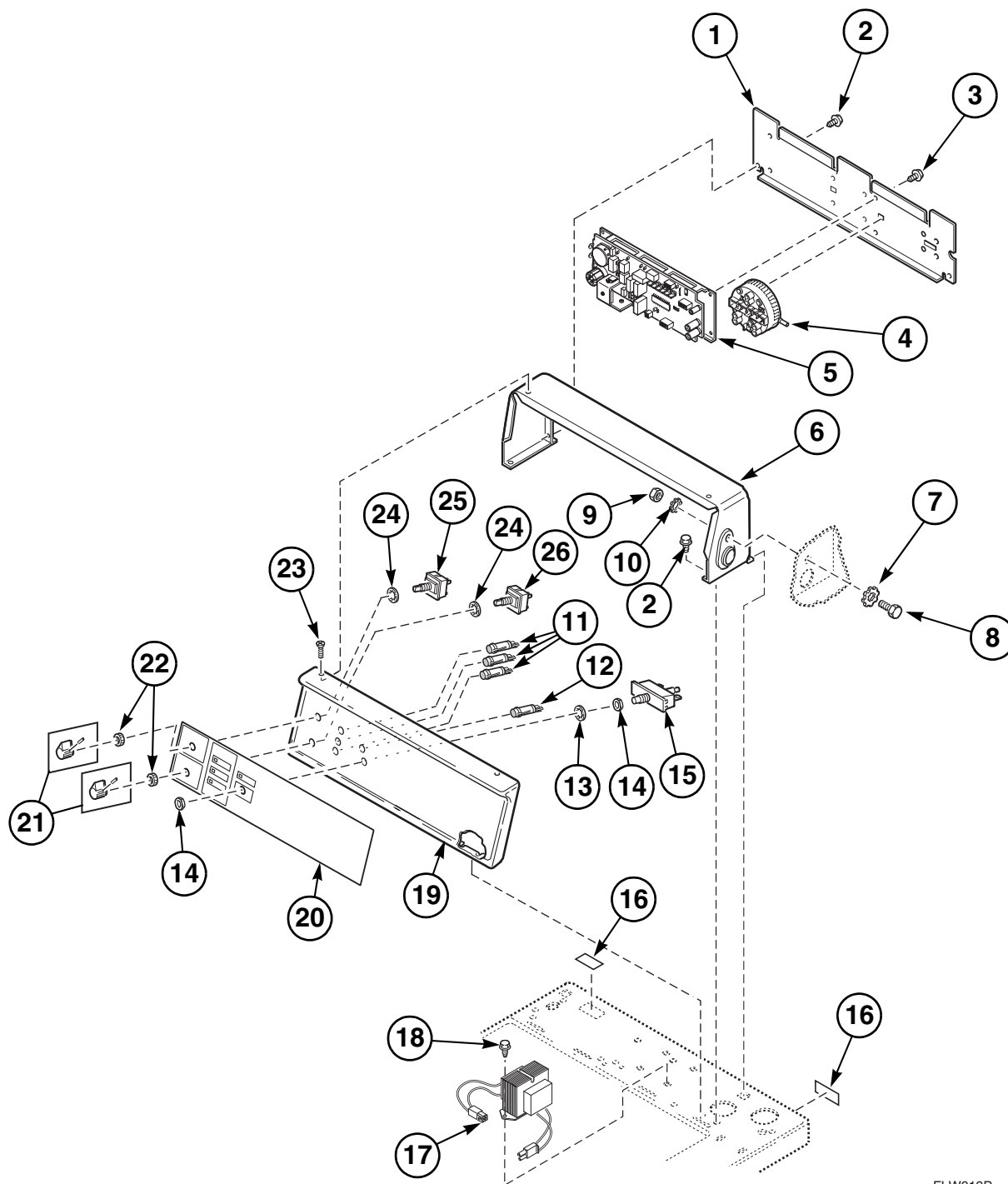
Models HWRT61*N, SWRBE1*N, SWRB61*N and SWRT61*N

REF	PART #	DESCRIPTION	COMMENTS
1	38717	Overlay	
2	38479	Coin Drop	
3	29786	Locknut	
4	200674	Optic Switch	
5	504570	Switch	
6	800137	Instruction Sticker	
7	36048	Screw	
8	39874*	Service Door	
9	503673	Screw	
10	30642	Bracket	
11	30647	Retainer Nut	
12	38724*	Meter Case	
13	26354	Gasket	
14	20530	Screw	
15	505281	Label	
16	511527*P	Cabinet Top	
17	35526	Gasket	
18	35525	Bracket	
19	02505	Carriage Bolt	
20	27222	Retainer Nut	
21	503661	Screw	
22	510146	Bracket	

* Add Letter To Designate Color. W – White Q – Bisque

Control Panel, Control Hood and Controls

Models HWR961*N, HWR963*N, SWR961*N and SWR963*N



FLW813P

* Add Letter To Designate Color. W – White Q – Bisque

Control Panel, Control Hood and Controls

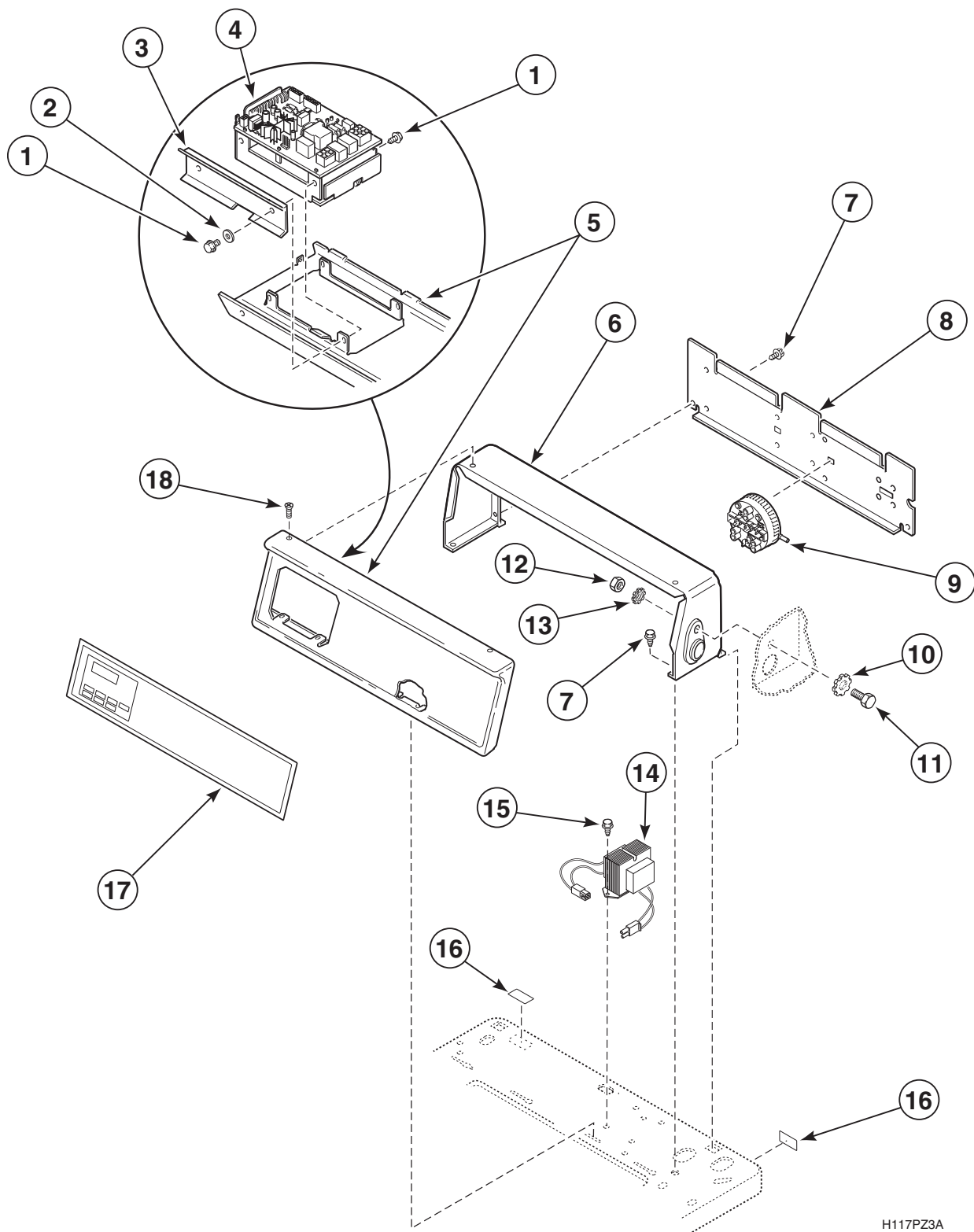
Models HWR961*N, HWR963*N, SWR961*N and SWR963*N

REF	PART #	DESCRIPTION	COMMENTS
1	505798	Control Hood Rear Panel	
2	501086	Screw	
3	501524	Screw	
4	800468	Pressure Switch	
5	801253	Control	
6	502567*	Control Hood	
7	M400017	Lockwasher	
8	02916	Screw	
9	52566	Nut	
10	02431	Lockwasher	
11	801431	Indicator Light	Green
12	801432	Indicator Light	Red
13	25820	Lockwasher	
14	52947	Nut	
15	55899	Start Switch	
16	505281	Warning Label	
17	210018	Transformer	
18	503661	Screw	
19	800142*	Control Panel Frame	
20	800135	Control Panel Overlay	Models SWR961*N and SWR963*N
	800423	Control Panel Overlay	Models HWR961*N and HWR963*N
21	39897	Control Knob Assembly	
22	24205	Knurled Nut	
23	52864	Screw	
24	91176	Lockwasher	
25	685595	Temperature Switch	
26	800404	Speed Switch	

* Add Letter To Designate Color. W – White Q – Bisque

Control Panel, Control Hood and Controls

Models HWRT61*N, SWRBE1*N, SWRB61*N and SWRT61*N



H117PZ3A

* Add Letter To Designate Color. W – White Q – Bisque

Control Panel, Control Hood and Controls

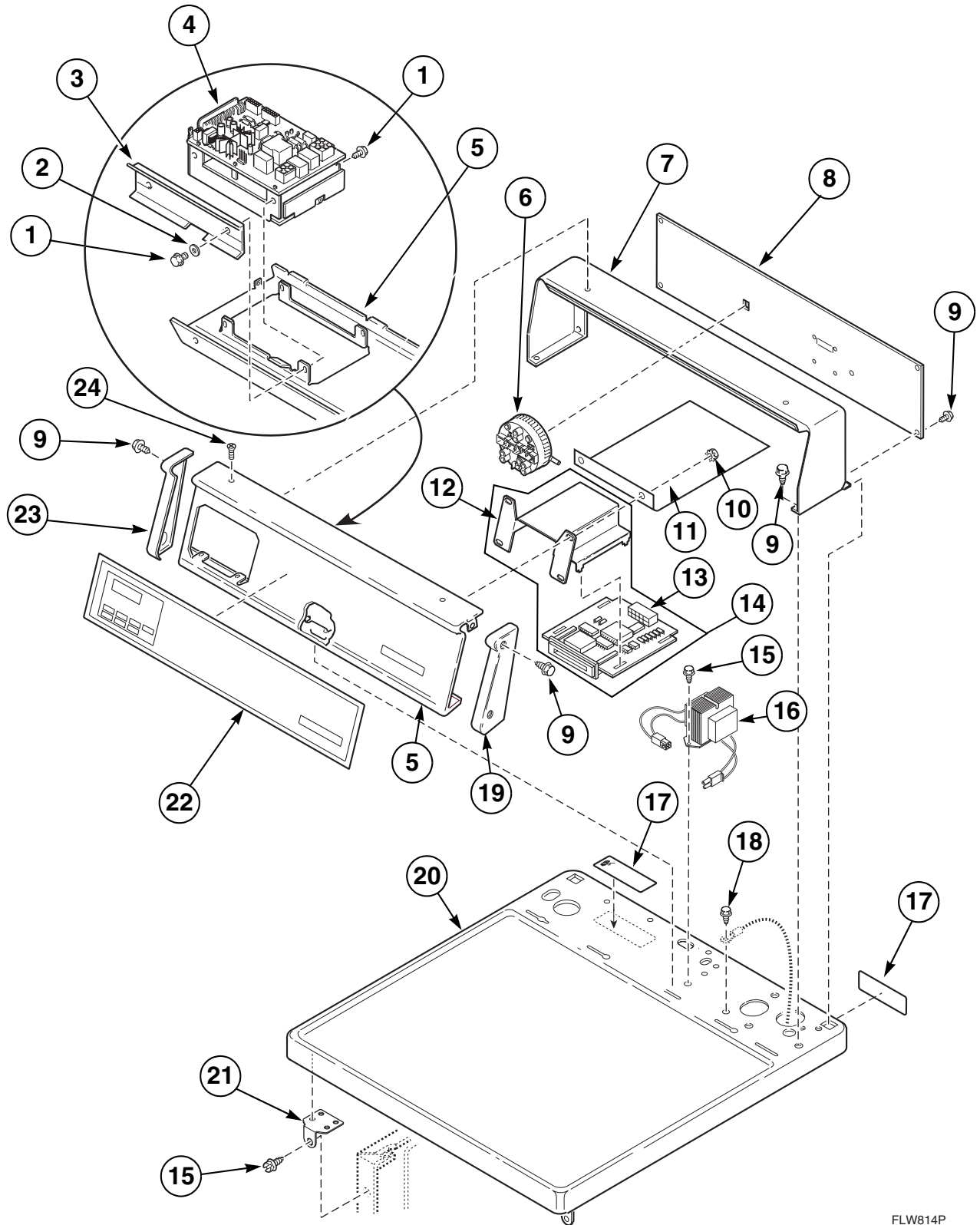
Models HWRT61*N, SWRBE1*N, SWRB61*N and SWRT61*N

REF	PART #	DESCRIPTION	COMMENTS
1	501524	Screw	
2	200608	Sealing Washer	
3	210053	Control Shield	
4	800671	Electronic Control	Models SWRBE1*N and SWRB61*N
	801449	Electronic Control	Models HWRT61*N and SWRT61*N
5	800149*	Control Panel Frame	
6	502567*	Control Hood	
7	501086	Screw	
8	505798	Control Hood Rear Panel	
9	801610	Pressure Switch	Model SWRBE1*N
	800468	Pressure Switch	All other models
10	M400017	Lockwasher	
11	02916	Screw	
12	52566	Nut	
13	02431	Lockwasher	
14	210018	Transformer	
15	503661	Screw	
16	505281	Warning Label	
17	801052	Control Panel Overlay	Model SWRT61*N
	801055	Control Panel Overlay	Model HWRT61*N
	800414	Control Panel Overlay	Models SWRBE1*N and SWRB61*N
18	52864	Screw	

* Add Letter To Designate Color. W – White Q – Bisque

Control Panel, Control Hood and Controls

Models SWRF61*N and SWRY61*N



FLW814P

* Add Letter To Designate Color. W – White Q – Bisque

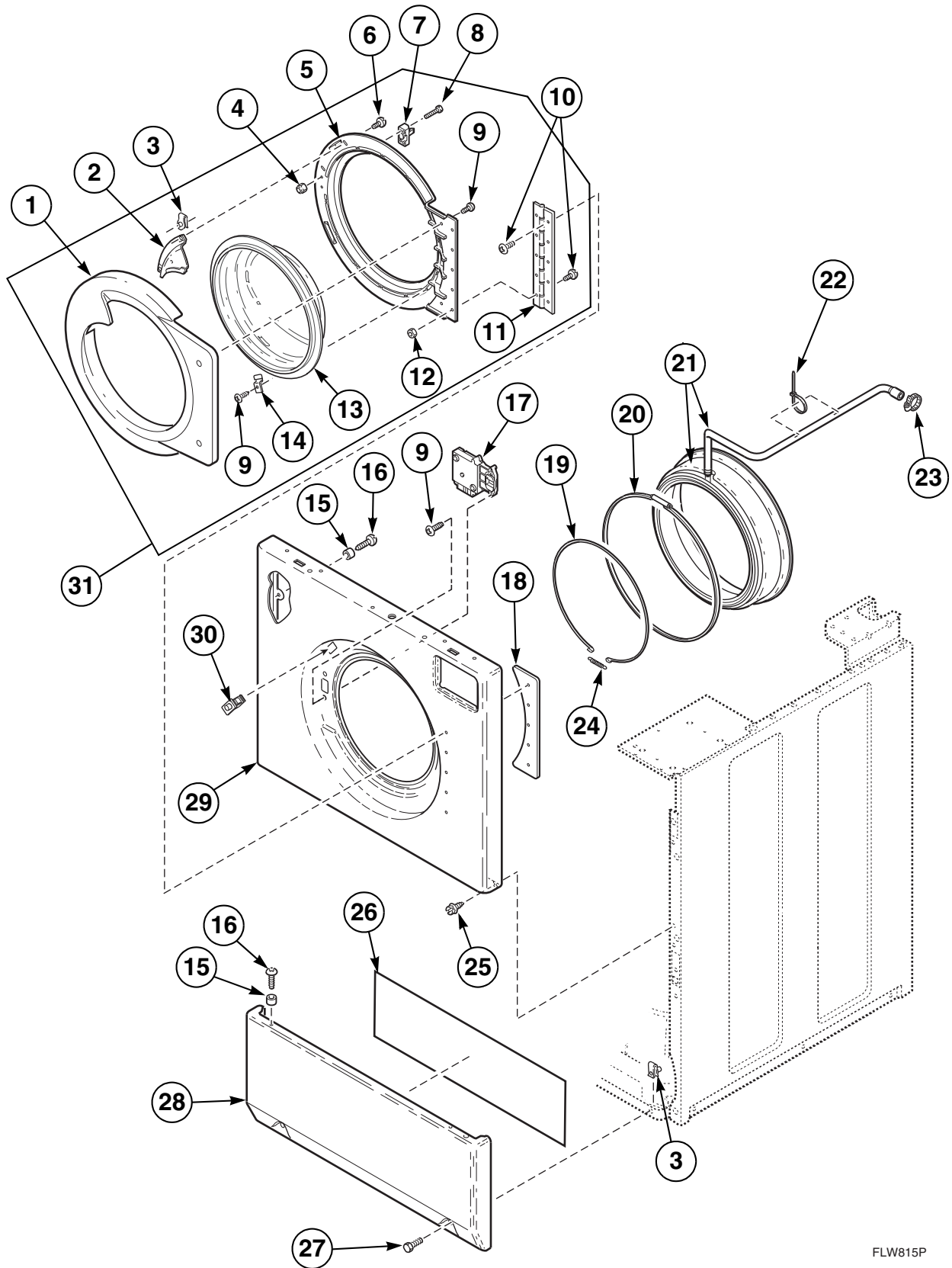
Control Panel, Control Hood and Controls

Models SWRF61*N and SWRY61*N

REF	PART #	DESCRIPTION	COMMENTS
1	501524	Screw	
2	200608	Sealing Washer	
3	210053	Control Shield	
4	800671	Electronic Control	Model SWRF61*N
	801449	Electronic Control	Model SWRY61*N
5	800710*	Control Panel Frame	
6	800468	Pressure Switch	
7	511253*	Control Hood	
8	801165	Control Hood Rear Panel	
9	501086	Screw	
10	70054	Nut	
11	801101	Shield	
12	210023	Bracket	
13	210181	Card Reader	
14	210045	Card Reader Assembly	
15	503661	Screw	
16	210018	Transformer	Model SWRF61*N
	210019	Transformer	Model SWRY61*N
17	505281	Warning Label	
18	20530	Screw	
19	210108*	End Cap	Right
20	511530*P	Cabinet Top	
21	510146	Bracket	
22	800228	Control Panel Overlay	Model SWRF61*N
	801190	Control Panel Overlay	Model SWRY61*N
23	210109*	End Cap	Left
24	52864	Screw	

* Add Letter To Designate Color. W – White Q – Bisque

Front Panel, Door Assembly and Door Seal



FLW815P

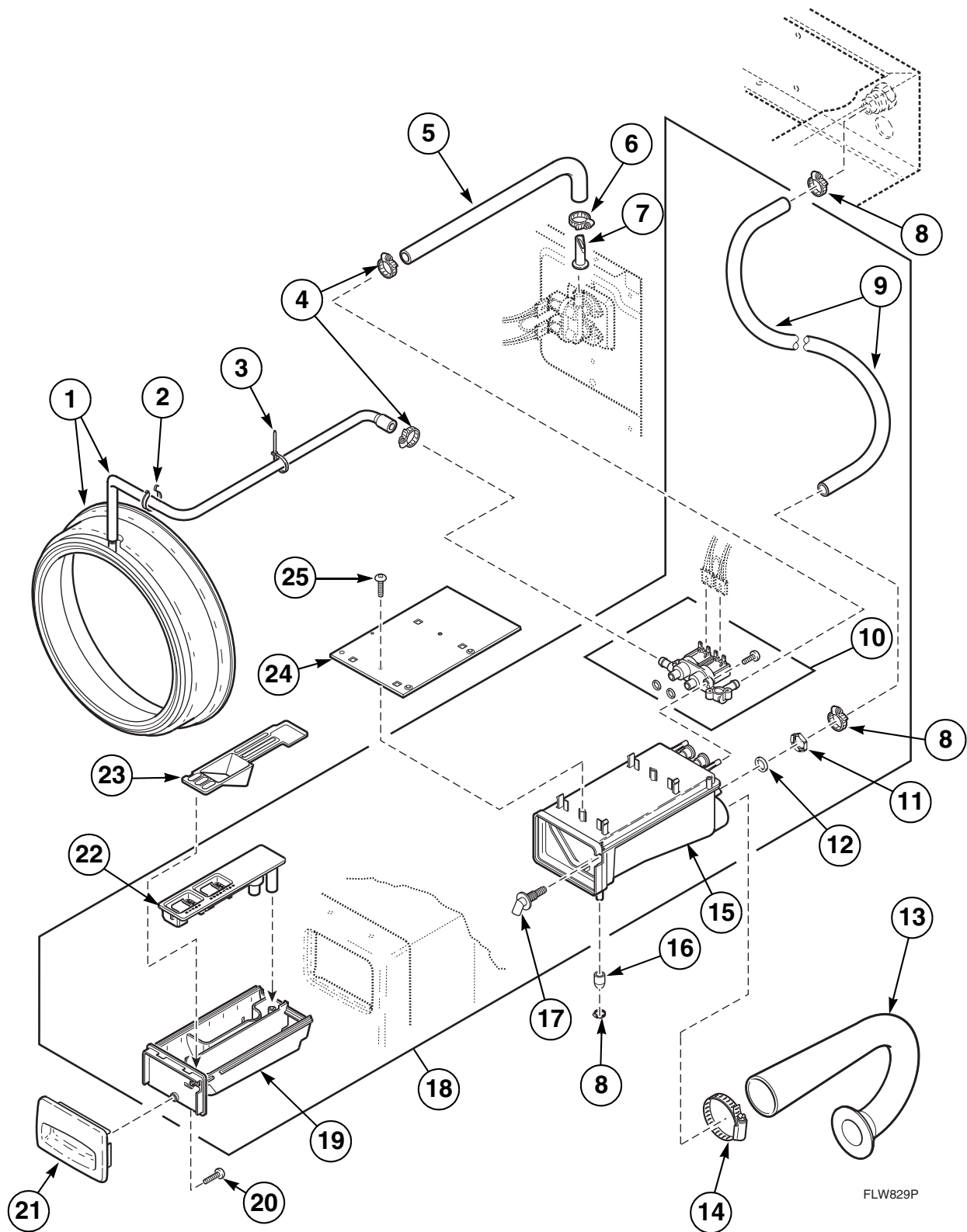
Front Panel, Door Assembly and Door Seal

REF	PART #	DESCRIPTION	COMMENTS
1	800341*	Outer Door Bezel	
2	800342	Door Handle	
3	36020	Speed Nut	
4	685846	Locknut	
5	800340	Inner Door Bezel	
6	800528	Screw	
7	685430	Catch	
8	685836	Screw	
9	800548	Screw	
10	801019	Screw	
11	800339	Door Hinge Assembly	
12	23951	Nut	
13	800343	Door Glass	
14	800906	Hold-Down Clip	
15	56079	Panel Locator	
16	39733	Screw	
17	685429	Door Latch/Switch Assembly	
18	800437	Hinge Plate	
19	800438	Wire Clamp Ring	
20	685743	Door Seal Clamp	
21	800232	Door Seal Assembly	
22	55881	Wire Tie	
23	36801	Hose Clamp	
24	800346	Spring	
25	503661	Screw	
26	685368	Pad	1 inch by 26 inches
27	801045	Screw	
28	510069*	Lower Access Panel	
29	800336*	Front Panel	
30	800211	Door Switch	
31	800436*	Door Assembly	Includes items 1 through 14

* Add Letter To Designate Color. W – White Q – Bisque

Dispenser Assembly and Supply Injection Hoses

Model SWFB62*N



* Add Letter To Designate Color. W – White Q – Bisque

Dispenser Assembly and Supply Injection Hoses

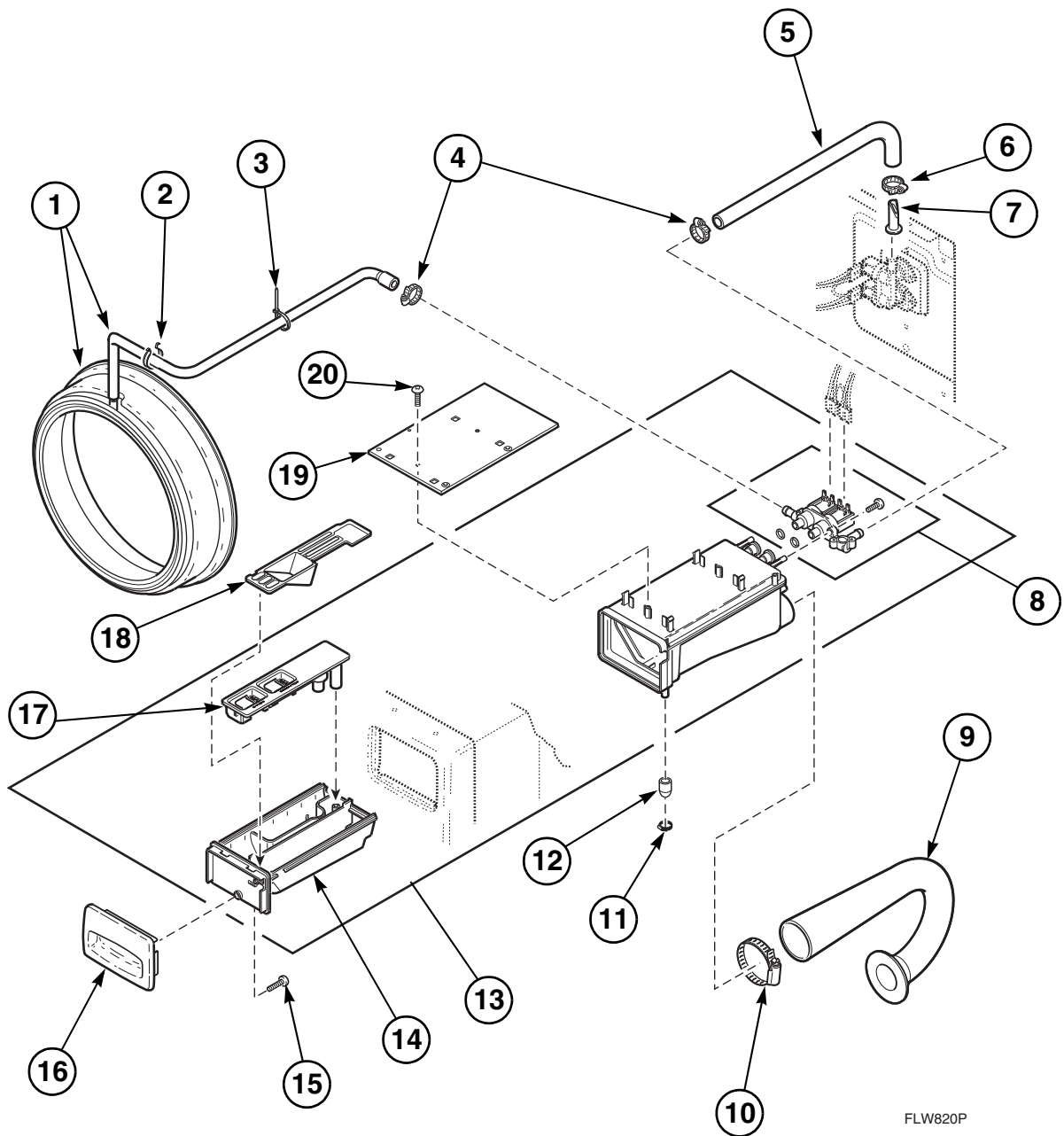
Model SWFB62*N

REF	PART #	DESCRIPTION	COMMENTS
1	800232	Door Seal Assembly	
2	687500	Wire Clip	
3	55881	Wire Tie	
4	36801	Hose Clamp	
5	801464	Dispenser Inlet Hose	
6	800803	Hose Clamp	
7	34500	Backflow Preventer	
8	F200206	Hose Clamp	
9	801635	Supply Injection Hose	
10	685766P	Valve Kit	
11	F430224	Nut	
12	F170208	O-ring	
13	800331	Dispenser Hose	
14	685725	Hose Clamp	
15	801630	Dispenser Assembly	
16	801112	Cap	
17	F380300	Nozzle	
18	801662	Dispenser and Valve Housing Assembly	
19	801476	Drawer	
20	800548	Screw	
21	685715*	Dispenser Drawer Front	
22	685716	Insert	
23	800899	Detergent Cover	
24	801024	Dispenser Mounting Plate	
25	801001	Screw	

* Add Letter To Designate Color. W – White Q – Bisque

Dispenser Assembly

All models except SWFB62*N



FLW820P

* Add Letter To Designate Color. W – White Q – Bisque

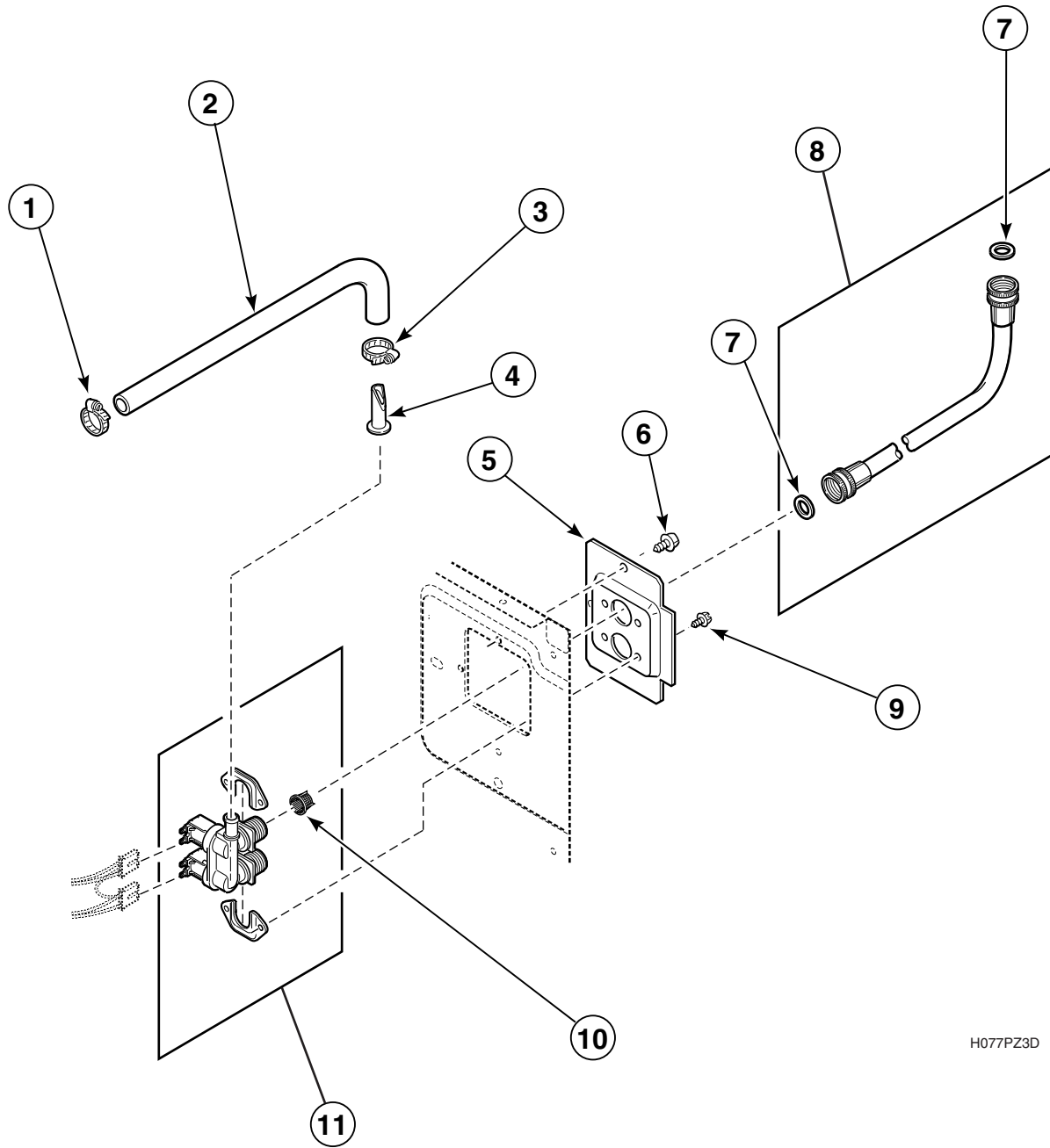
Dispenser Assembly

All models except SWFB62*N

REF	PART #	DESCRIPTION	COMMENTS
1	800232	Door Seal Assembly	
2	687500	Wire Clip	
3	55881	Wire Tie	
4	36801	Hose Clamp	
5	801464	Dispenser Inlet Hose	
6	800803	Hose Clamp	
7	34500	Backflow Preventer	
8	685766P	Valve Kit	
9	800331	Dispenser Hose	
10	685725	Hose Clamp	
11	F200206	Hose Clamp	
12	801112	Cap	
13	685756	Dispenser and Valve Housing Assembly	
14	801476	Drawer	
15	800548	Screw	
16	685715*	Dispenser Drawer Front	
17	685716	Insert	
18	800899	Detergent Cover	
19	801024	Dispenser Mounting Plate	
20	801001	Screw	

* Add Letter To Designate Color. W – White Q – Bisque

Mixing Valve, Inlet Hose and Dispenser Hose

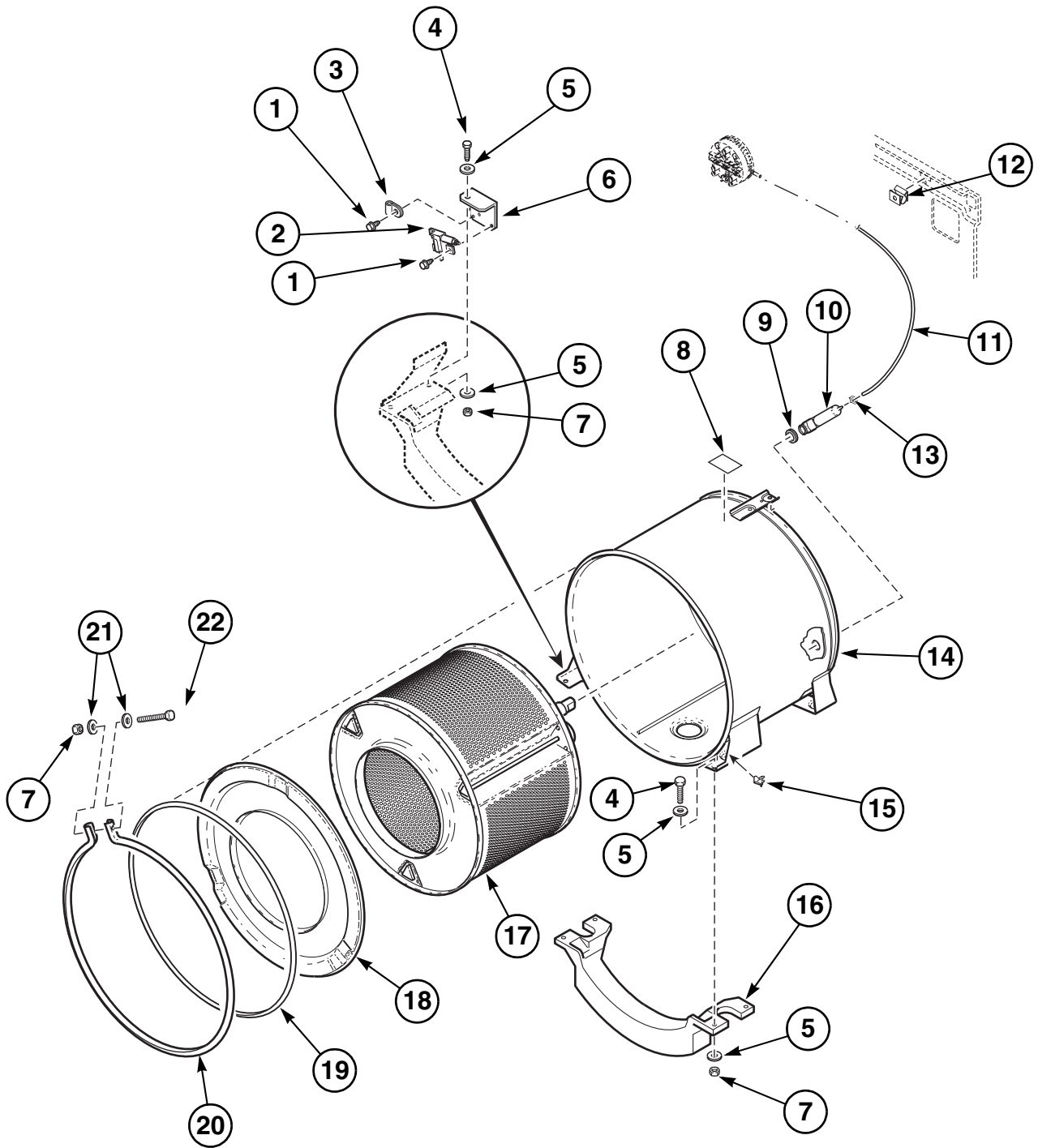


H077PZ3D

Mixing Valve, Inlet Hose and Dispenser Hose

REF	PART #	DESCRIPTION	COMMENTS
1	36801	Hose Clamp	
2	801464	Dispenser Hose	
3	800803	Hose Clamp	
4	34500	Backflow Preventer	
5	800323	Mixing Valve Plate	
6	503661	Screw	
7	20290	Hose Washer	
8	28330P	Inlet Hose Assembly	Includes (2) 20290 Hose Washers
9	501086	Screw	
10	F270200	Inlet Screen	
11	800434	Mixing Valve	

Outer Tub, Front, Clamp Ring and Inner Basket

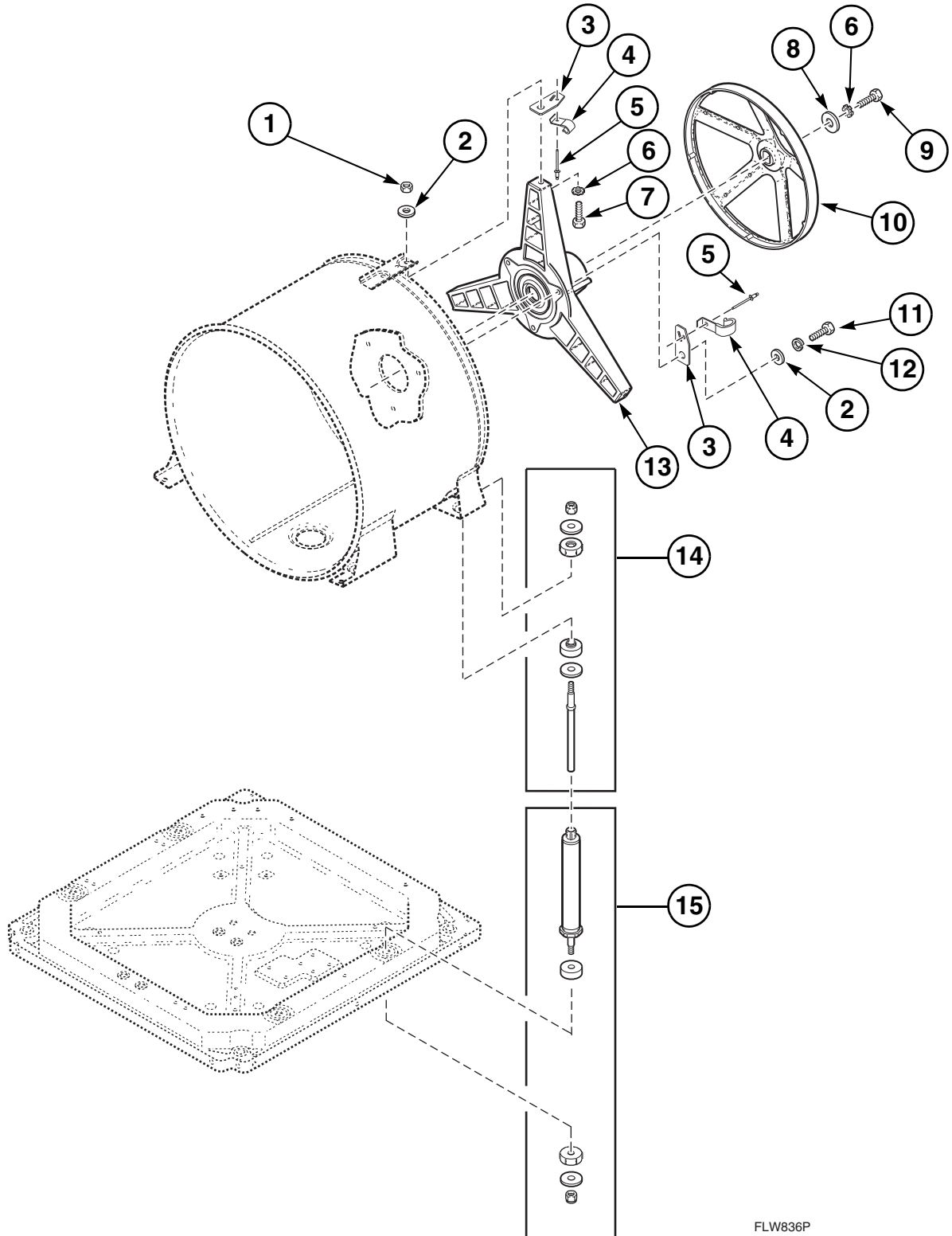


FLW816P

Outer Tub, Front, Clamp Ring and Inner Basket

REF	PART #	DESCRIPTION	COMMENTS
1	503661	Screw	
2	801006	Out-of-Balance Switch	
3	800811	Wire Clamp	
4	800461	Screw	
5	M400081	Flat Washer	
6	800663	Mounting Bracket	
7	800452	Nut	
8	500049	Warning Label	
9	29175	Grommet	
10	30907	Pressure Bulb	
11	800648	Pressure Hose	
12	36985	Clip	Positioned here on rear control models
13	39282	Hose Clamp	
14	801081	Outer Tub	
15	00161	Ground Clip	
16	800205	Weight	
17	800429	Inner Basket	
18	800430	Outer Tub Front	
19	800432	Seal	
20	800312	Clamp Ring	
21	800457	Flat Washer	
22	800462	Screw	

Bearing Housing Assembly and Pulley

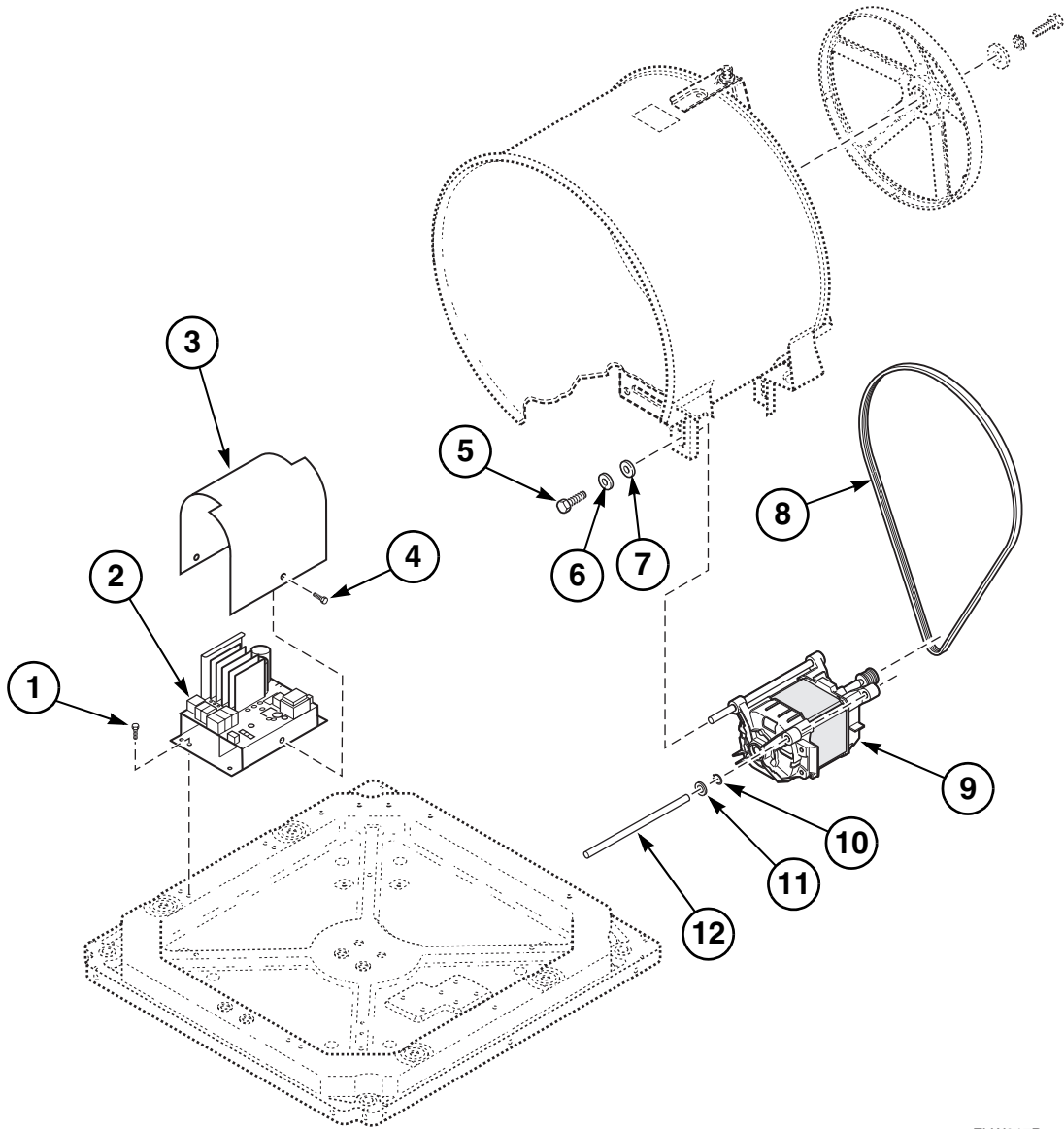


FLW836P

Bearing Housing Assembly and Pulley

REF	PART #	DESCRIPTION	COMMENTS
	27604P	Anti-Seize Lubricant	Pulley to inner basket shaft
1	800452	Nut	
2	800457	Washer	
3	800552	Mounting Plate	
4	800553	Clip	
5	685847	Rivet	
6	M403958	Lockwasher	
7	800461	Screw	
8	800464	Flatwasher	
9	685831	Screw	Left Hand Thread
10	800866	Pulley	
11	M400043	Screw	
12	M400014	Lockwasher	
13	800428	Bearing Housing Assembly	
14	800622P	Shock Absorber Assembly	Upper
15	800623P	Shock Absorber Assembly	Lower

Motor and Belt



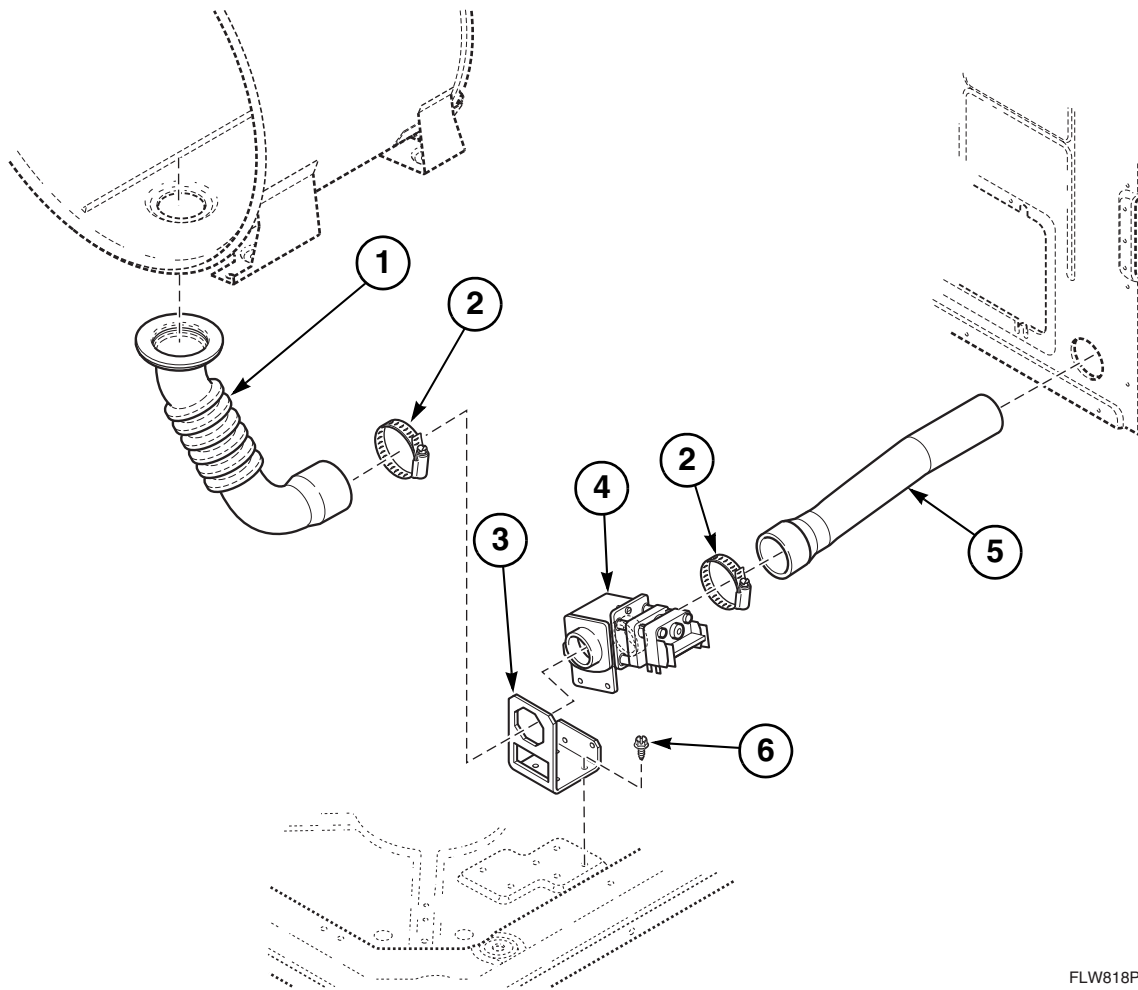
FLW817P

Motor and Belt

REF	PART #	DESCRIPTION	COMMENTS
1	503661	Screw	
2	800925	Inverter Control Assembly	
3	801061	Shield	
4	501524	Screw	
5	M400057	Screw	
6	02834	Lockwasher	
7	M400080	Flat Washer	
8	800319	Belt	
9	801684	Motor Assembly	Includes (2) each items 10, 11 and 12
10	23748	Retainer Ring	
11	52549	Washer	
12	801062	Motor Rod	

Drain Hoses

Models HWFT63*N, HWFZ63*N, HWR963*N, SWFB63*N, SWFT63*N, SWFZ63*N and SWR963*N



FLW818P

* Add Letter To Designate Color. W – White Q – Bisque

Drain Hoses

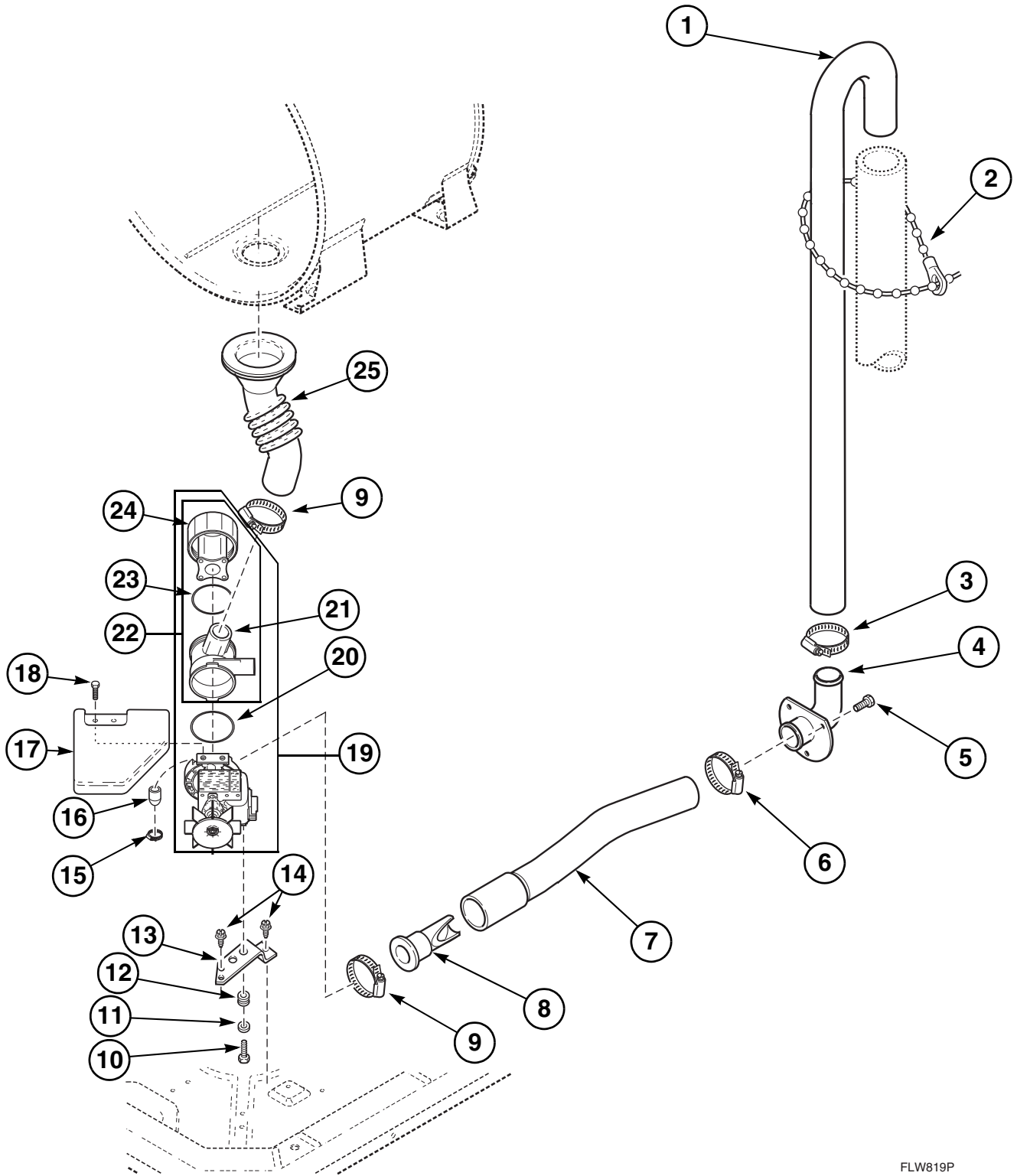
Models HWFT63*N, HWFZ63*N, HWR963*N, SWFB63*N, SWFT63*N, SWFZ63*N and SWR963*N

REF	PART #	DESCRIPTION	COMMENTS
1	800902	Tub-to-Drain Hose	
2	685725	Hose Clamp	
3	801215	Bracket	
4	F380618	Valve	
5	800903	Drain-to-Cabinet Hose	
6	503661	Screw	

* Add Letter To Designate Color. W – White Q – Bisque

Hoses and Pump

All models except HWFT63*N, HWFZ63*N, HWF963*N, SWFB63*N, SWFT63*N, SWFZ63*N and SWR963*N



FLW819P

* Add Letter To Designate Color. W – White Q – Bisque

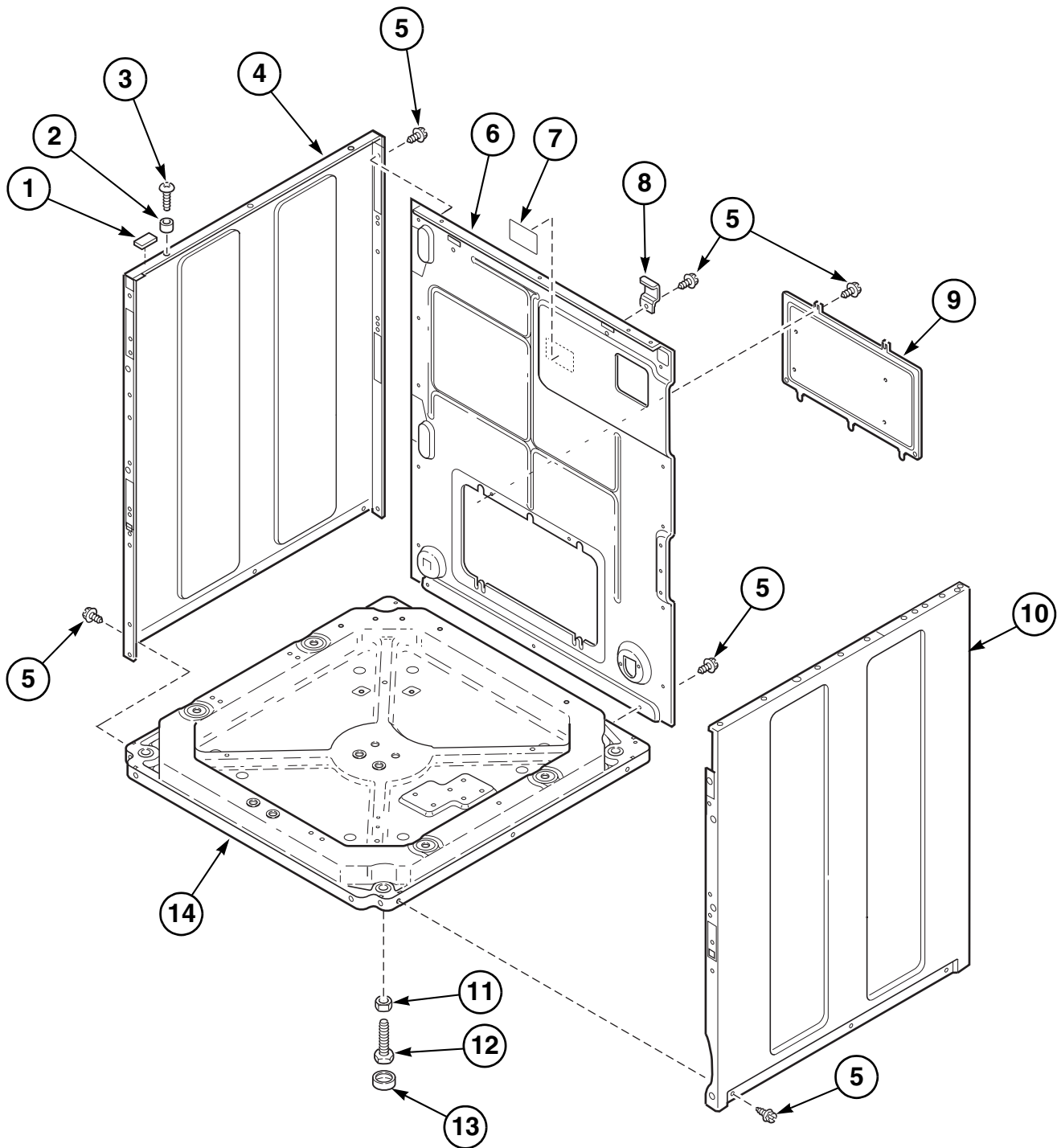
Hoses and Pump

All models except HWFT63*N, HWFZ63*N, HWF963*N, SWFB63*N, SWFT63*N, SWFZ63*N and SWR963*N

REF	PART #	DESCRIPTION	COMMENTS
	27615P	Sealant	Tub-to-Pump Hose to Outer Tub
1	27154	Drain Hose	
2	33489	Beaded Strap	
3	20211	Hose Clamp	
4	35766	Elbow	
5	52909	Screw	
6	20391	Hose Clamp	
7	685737	Pump-to-Elbow Hose	
8	800310	Backflow Preventer	
9	36802	Hose Clamp	
10	38096	Screw	
11	800465	Washer	
12	685834	Grommet	
13	800308	Mounting Bracket	
14	503661	Screw	
15	F200206	Hose Clamp	
16	801112	Cap	
17	38067	Shield	
18	38096	Screw	
19	685703	Drain Pump	
20	37392	O-Ring	
21	801208	Pump Housing	
22	801209	Pump Housing Assembly	Includes items 22, 24 and 25
23	801207	O-Ring	
24	801206	Lid	Includes filter
25	800317	Outer Tub-to-Pump Hose	

* Add Letter To Designate Color. W – White Q – Bisque

Base, Side Panels and Rear Panel



FLW821P

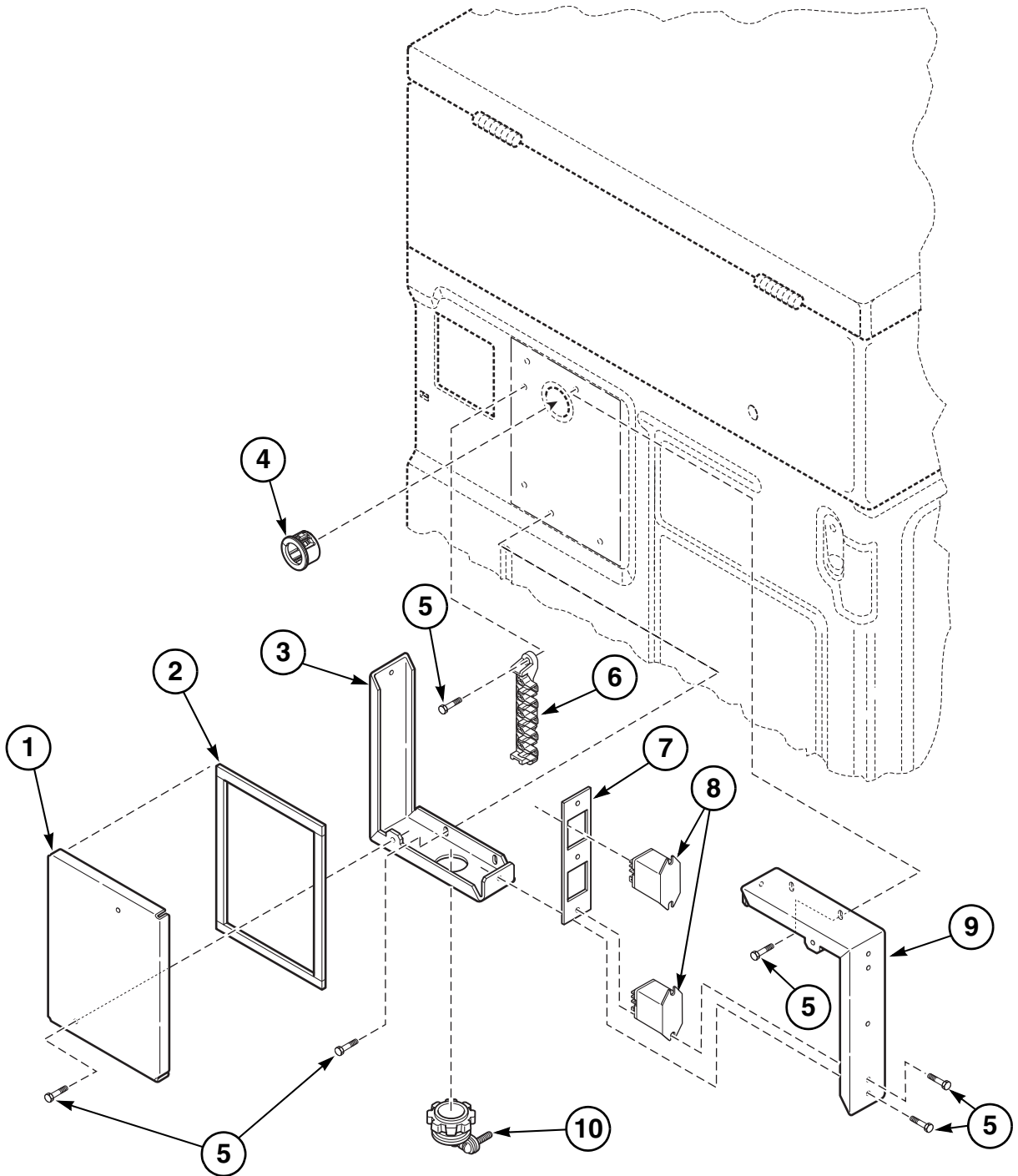
Base, Side Panels and Rear Panel

REF	PART #	DESCRIPTION	COMMENTS
1	56128	Bumper	
2	56079	Panel Locator	
3	39733	Screw	
4	800004*P	Side Panel	Left; Includes corner gusset with hardware
5	503661	Screw	
6	801216	Rear Panel	Models NWFT63*N, HWFZ63*N, HWF963*N, SWFB63*N, SWFT63*N, SWFZ63*N and SWR963*N
	801629	Rear Panel	Model SWFB62*N
	800010	Rear Panel	All other models
7	685928	Label	Left hand thread
8	510136	Hinge	Rear Control models
9	801012	Rear Access Panel	
10	800005*P	Side Panel	Right; Includes 801024 dispenser plate with hardware and 547P3 meter case mounting bracket with hardware
11	21899	Nut	
12	34319	Leveling Leg	
13	34318	Rubber Foot	
14	801222	Base	

* Add Letter To Designate Color. W – White Q – Bisque

Junction Box

Model SWFB62*N



FLW830P

* Add Letter To Designate Color. W – White Q – Bisque

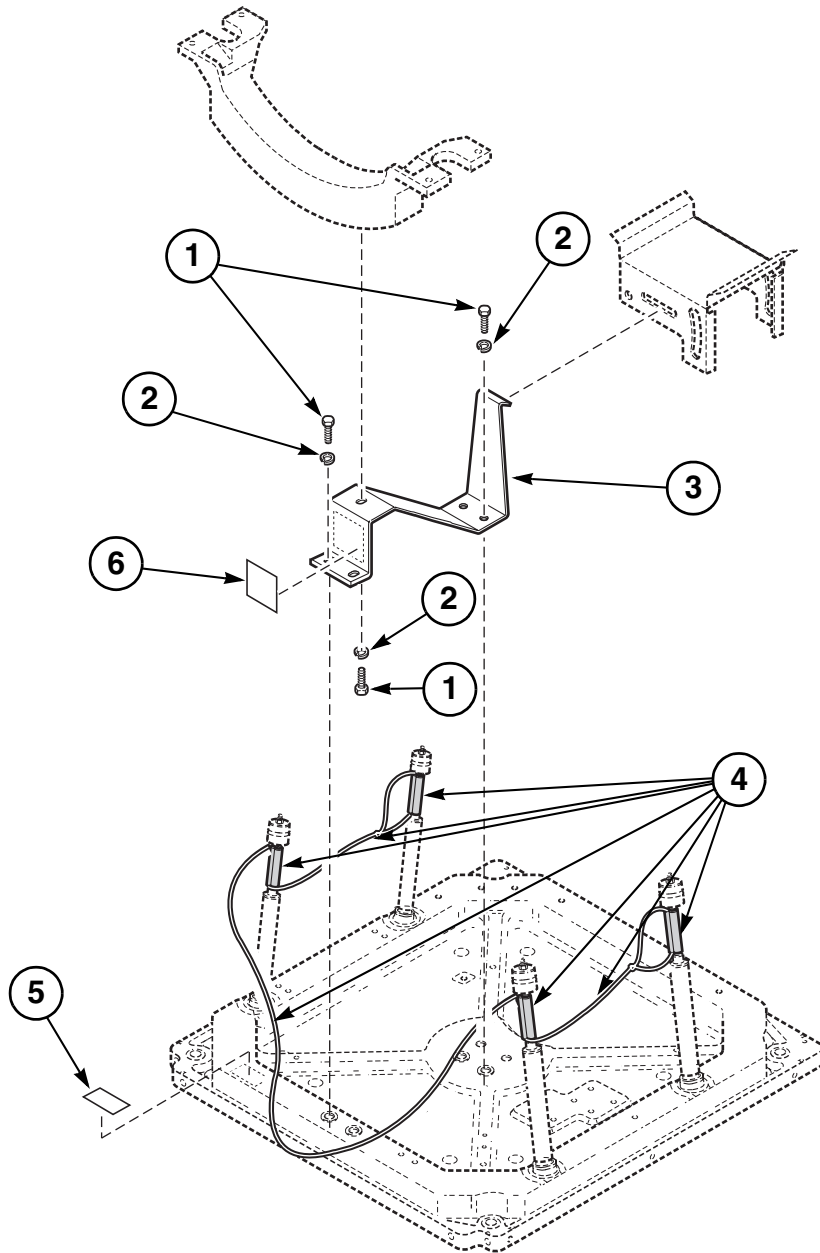
Junction Box

Model SWFB62*N

REF	PART #	DESCRIPTION	COMMENTS
1	801498	Junction Box Cover	
2	801425	Seal	4 required
3	801499	Lower Junction Box	
4	M402542	Bushing	
5	503661	Screw	
6	505876	Terminal Block	
7	801501	Bracket	
8	431349	Relay	
9	801497	Upper Junction Box	
10	511628	Strain Relief	

* Add Letter To Designate Color. W – White Q – Bisque

Shipping Materials

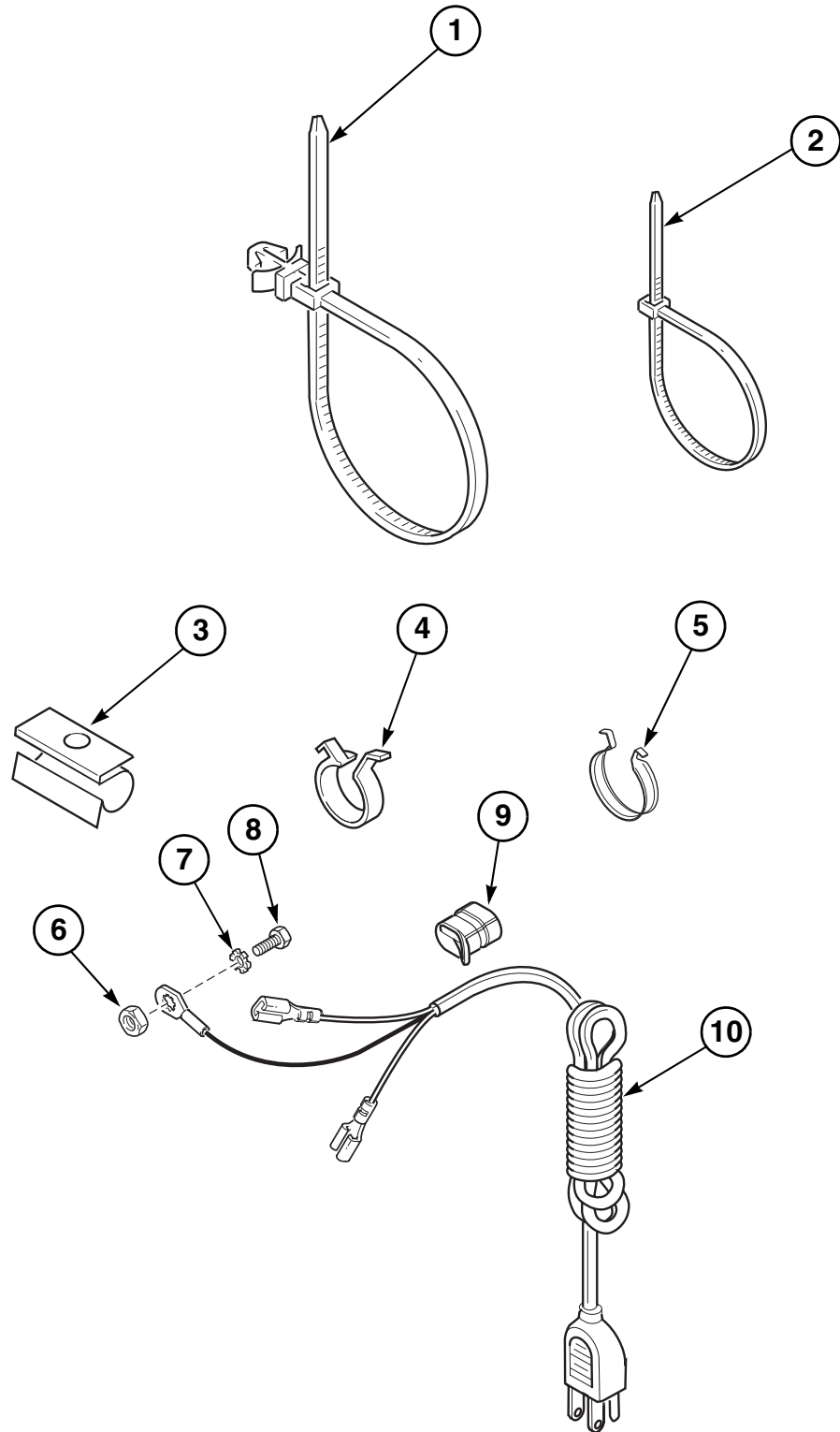


FLW822P

Shipping Materials

REF	PART #	DESCRIPTION	COMMENTS
	728P3	Shipping Brace Kit	Includes all items 1 through 5
1	M400043	Screw	
2	M400014	Lockwashers	
3	685911	Shipping Bracket	
4	800364	Shipping Cord and Brace Assembly	
5	500049	Warning Label	
6	686901	Shipping Bracket Label	

Wire Ties, Harness Clips and Power Cord

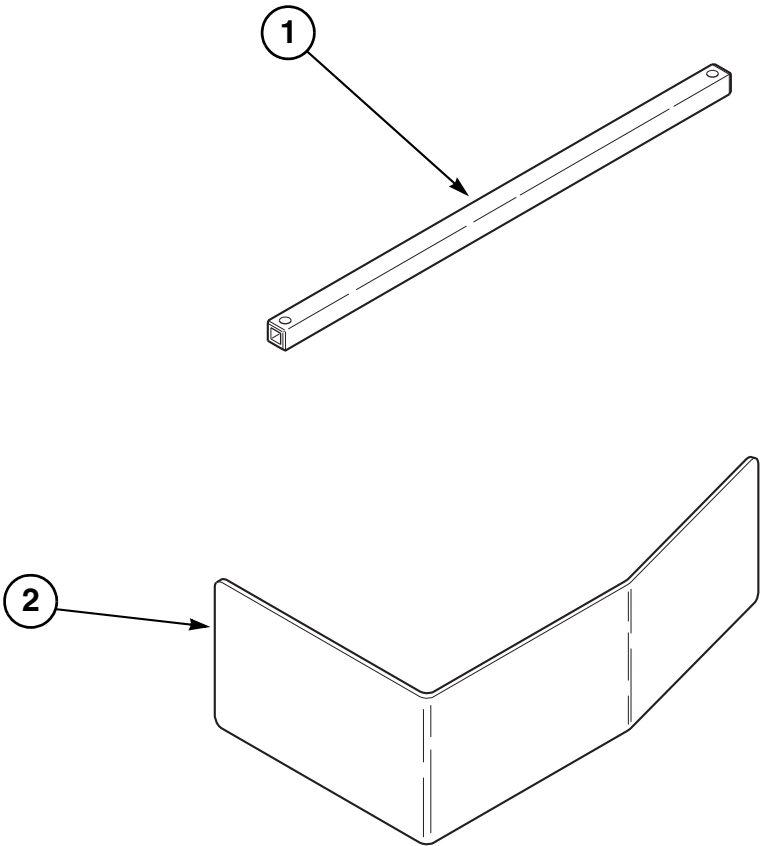


FLW823P

Wire Ties, Harness Clips and Power Cord

REF	PART #	DESCRIPTION	COMMENTS
1	38663	Wire Tie	
2	55881	Wire Tie	
3	36985	Clip	
4	504034	Wire Clip	Small
5	687500	Wire Clip	Large
6	03673	Nut	
7	03815	Lockwasher	
8	685837	Screw	
9	38384	Strain Relief	
10	34458	Power Cord	

Special Tools

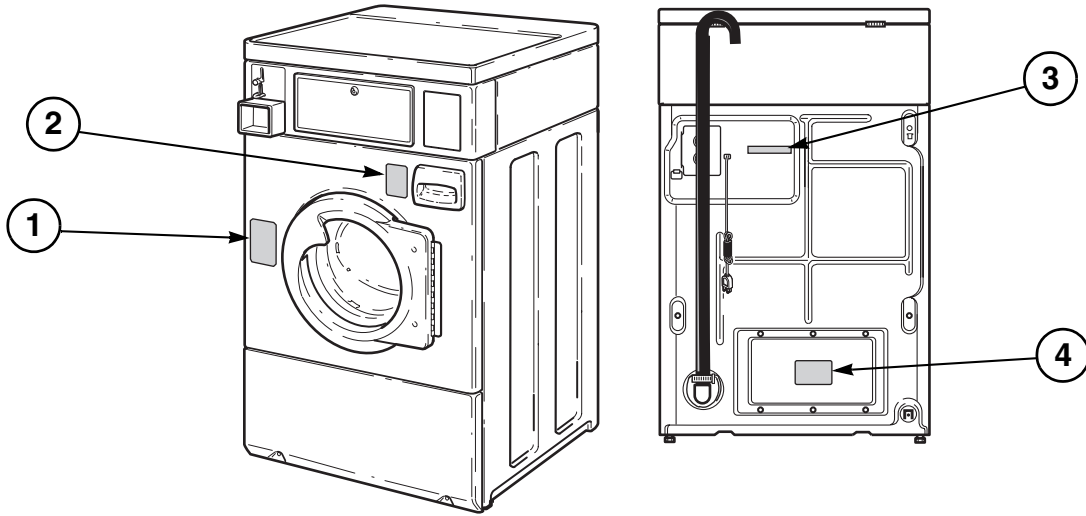


FLW825P

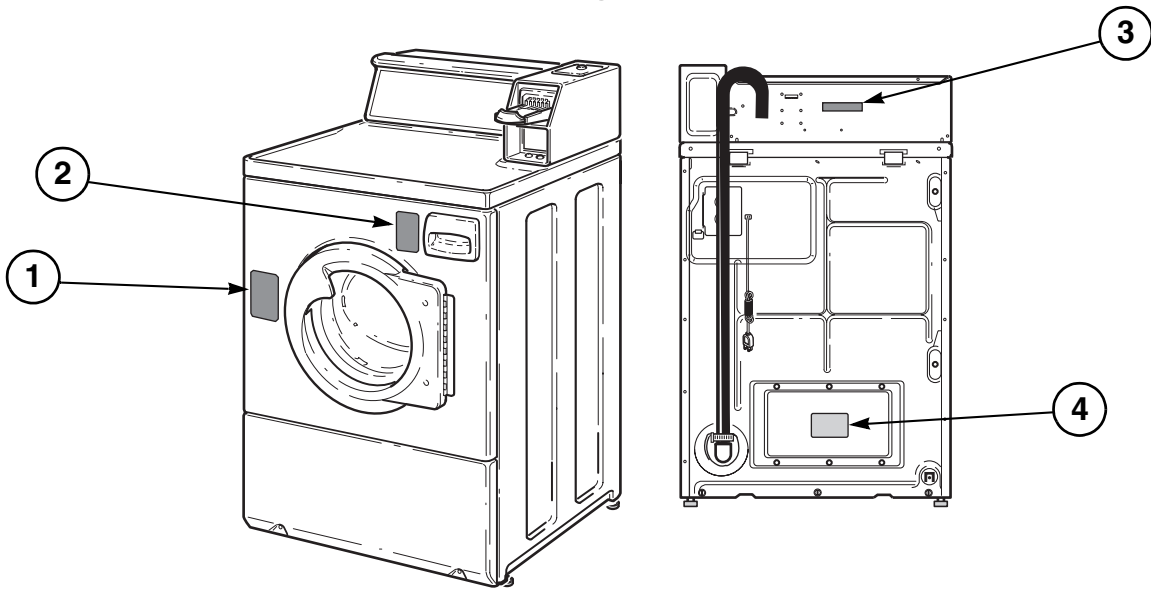
Special Tools

REF	PART #	DESCRIPTION	COMMENTS
1	310P4	Ratchet Extension Tool	1/4 inch; Use to install and remove coin drop
2	318P4	Dispenser Removal Tool	Use to remove dispenser drawer

Labels



Front Control Washers



Rear Control Washers

FLW824P

Labels

REF	PART #	DESCRIPTION	COMMENTS
1	685947	Door Locked Label	
2	800420	Oversudsing Label	English
	800621	Oversudsing Label	Spanish
3	505281	Warning Label	English
4	500049	Warning Label	English

Wire Harnesses and Wires

Individual wires are not available separately. Order complete wire harness, or order wire by the foot. See chart.

Models	Base Harness	Control Harness	Motor Harness	Card Reader Harness	Diagnostic Harness	Coin Drop/ Panel Harness	Network Harness	Network Cable Harness	Supply Injection Harness
HWFT61*N	800590	801064	801063			800212			
HWTF63*N	800590	801064	801063			800212			
HWFZ61*N	800590	801064	801063			800212			
HWFZ63*N	800590	801064	801063			800212			
HWRT61*N	800590	801281	801063			800212			
HWR961*N	800590	801324	801063			801300			
HWR963*N	800590	801324	801063			801300			
SWFA61*N	800590	801064	801063			800213			
SWFBE1*N	800590	801064	801063			800212			
SWFB61*N	800590	801064	801063			800212			
SWFB62*N	800590	801064	801063			800212			801518
SWFB63*N	800590	801064	801063			800212			
SWFF61*N	800590	801064	801063	800125	800374				
SWFJ61*N	800590	801064	801063	800215	800374		800217	800216	
SWFT61*N	800590	801064	801063			800212			
SWFT63*N	800590	801064	801063			800212			
SWFX61*N	800590	801064	801063			800213			
SWFY61*N	800590	801064	801063		800374				
SWFZ61*N	800590	801064	801063			800212			
SWFZ63*N	800590	801064	801063			800212			
SWRBE1*N	800590	801281	801063			800212			
SWRB61*N	800590	801281	801063			800212			
SWRF61*N	800590	801281	801063	800125	800680				
SWRT61*N	800590	801281	801063			800212			
SWRY61*N	800590	801281	801063		800680				
SWR961*N	800590	801324	801063			801300			
SWR963*N	800590	801324	801063			801300			

* Add Letter To Designate Color. W – White Q – Bisque

Order the individual wire color and gauge by the part number listed below. Order wire by the foot.

IMPORTANT: Always replace wires with proper gauge.

PART NUMBER	WIRE GAUGE	WIRE COLOR
45001	18 Gauge Wire	Black
45380	12 Gauge Wire	Orange

* Add Letter To Designate Color. W – White Q – Bisque

Parts Index

A

Anti-Seize Lubricant
27604P 33

B

Backflow Preventer
34500 25, 27, 29
800310 39

Base
801222 41

Base Harness
687500 52

Beaded Strap
33489 39

Bearing Housing Assembly
800428 33

Belt
800319 35

Bolt
29651 5, 13

Bracket
210023 21
30642 13, 15
35525 15
510146 13, 15, 21
800379 7
801215 37
801501 43
†35525 13

Bumper
56128 41

Bushing
M402542 7, 43

C

Cabinet Top
511527*P 13, 15
511530*P 21

Cabinet Top Kit
511529*P 5

Cam
27261 5

Cap
801112 25, 27, 39

Card Reader
210181 21

Card Reader Assembly
210045 21
510068 11

Carriage Bolt
02505 15
†02505 13

Catch
685430 23

Clamp Ring
800312 31

Clip
36985 7, 31, 47
800553 33

Coin Drop
38479 9, 15

Coin Funnel Kit
523P3 13

Communication Board
210095 7

Connector
210099 7
801639 9

Control
801253 17

Control Cabinet Front
511209* 11
511633* 9

Control Cabinet Wrapper
505753* 9, 11
801642* 9

Control Hood
502567* 17, 19
511253* 21

Control Hood Rear Panel
505798 17, 19
801165 21

Control Knob Assembly
39897 17

Control Panel Assembly
800035* 5

Control Panel Frame
800142* 17
800149* 19
800710* 21

Control Panel Overlay
800033 5
800135 17
800228 21
800413 5
800414 19
800416 5
800423 17
801050 5
801052 19
801053 5
801055 19
801190 21

Control Shield
210053 19, 21
801371 7

D

Detergent Cover
800899 25, 27

Dispenser and Valve Housing Assembly
685756 27
801662 25

Dispenser Assembly
801630 25

Dispenser Drawer Front
685715* 25, 27

Dispenser Hose	
800331	25, 27
801464	29
Dispenser Inlet Hose	
801464	25, 27
Dispenser Mounting Plate	
801024	25, 27
Door Assembly	
800436*	23
Door Glass	
800343	23
Door Handle	
800342	23
Door Hinge Assembly	
800339	23
Door Latch/Switch Assembly	
685429	23
Door Locked Label	
685947	51
Door Seal Assembly	
800232	23, 25, 27
Door Seal Clamp	
685743	23
Door Switch	
800211	23
Drain Hose	
27154	39
Drain Pump	
685703	39
Drain-to-Cabinet Hose	
800903	37
Drawer	
801476	25, 27

E

18 Gauge Wire	
45001	52
Elbow	
35766	39
Electronic Control	
800671	5, 19, 21
801449	5, 19, 21
End Cap	
210108*	21
210109*	21

F

Flat Washer	
M400080	35
M400081	31
800457	31
Flatwasher	
800464	33
Front Panel	
800336*	23

G

Gasket	
26354	15
35526	15
†35526	13
Grommet	
29175	31
685834	39
Ground Clip	
00161	31

H

Hinge	
510136	41
511036	5
Hinge Bracket	
504228	5
Hinge Plate	
800437	23
Hold-Down Clip	
800906	23
Hose Clamp	
F200206	25, 27, 39
20211	39
20391	39
36801	23, 25, 27, 29
36802	39
39282	31
685725	25, 27, 37
800803	25, 27, 29
Hose Washer	
20290	29

I

Indicator Light	
801431	17
801432	17
Inlet Hose Assembly	
28330P	29
Inlet Screen	
F270200	29
Inner Basket	
800429	31
Inner Door Bezel	
800340	23
Insert	
685716	25, 27
Instruction Label	
685942	9, 11
800137	13
Instruction Sticker	
800137	15
Inverter Control Assembly	
800925	35

J

Junction Box Cover	
801498	43

K

Knurled Nut	
24205	17

L

Label	
505281	15
685928	41
Leveling Leg	
34319	41
Lid	
801206	39
Lock Assembly	
27260	5
Locknut	
29786	15
685846	23
Lockwasher	
M400014	33
M400017	17, 19
M403958	33
02431	17, 19
02834	35
03815	47
25820	17
91176	17
Lockwashers	
M400014	45
Lower Access Panel	
510069*	23
Lower Junction Box	
801499	43

M

Meter Case	
38724*	15
801330*	13
Meter Case Gasket	
26354	13
Mixing Valve	
800434	29
Mixing Valve Plate	
800323	29
Motor Assembly	
801684	35
Motor Rod	
801062	35
Mounting Bracket	
800308	39
800663	31
Mounting Plate	
800552	33

N

Network Board	
210016	7
Nozzle	
F380300	25
Nut	
F430224	25
M412986	13
03673	47
21899	41
23951	23
29786	9
29796	5
36020	5
52566	17, 19
52947	17
70054	11, 21
800452	31, 33
†29786	13

O

Optic Switch	
200674	9, 15
O-Ring	
37392	39
801207	39
O-ring	
F170208	25
Outer Door Bezel	
800341*	23
Outer Tub	
801081	31
Outer Tub Front	
800430	31
Outer Tub-to-Pump Hose	
800317	39
Out-of-Balance Switch	
801006	31
Overlay	
38717	9, 15
511544	11
800230	11
Oversudsing Label	
800420	51
800621	51

P

Pad	
685368	23
Panel Locator	
56079	9, 11, 23, 41
Power Cord	
34458	47
Pressure Bulb	
30907	31
Pressure Hose	
800648	31

Pressure Switch	
800468	7, 17, 19, 21
801610	7, 19
Pulley	
800866	33
Pump Housing	
801208	39
Pump Housing Assembly	
801209	39
Pump-to-Elbow Hose	
685737	39

R

Rear Access Panel	
801012	41
Rear Panel	
800010	41
801216	41
801629	41
Relay	
431349	43
Retainer Nut	
27222	13, 15
30647	13, 15
Retainer Ring	
23748	35
Rivet	
685847	5, 33
Rubber Foot	
34318	41

S

Screw	
M400043	33, 45
M400057	35
02916	17, 19
20530	15, 21
23008	5
36048	13, 15
38096	39
39733	9, 11, 23, 41
501086	17, 19, 21, 29
501524	5, 17, 19, 21, 35
503661	7, 13, 15, 17, 19, 21, 23, 29, 31, 35, 37, 39, 41, 43
503673	13, 15
503688	7, 9, 11
52864	17, 19, 21
52909	13, 39
685831	33
685836	23
685837	47
800461	31, 33
800462	31
800528	23
800548	23, 25, 27
801001	25, 27
801019	23
801045	23

Seal	
800432	31
801425	43
Sealant	
27615P	39
Sealing Washer	
200608	19, 21
Service Door	
39874*	13, 15
Shield	
38067	39
801061	35
801101	21
Shipping Brace Kit	
728P3	45
Shipping Bracket	
685911	45
Shipping Bracket Label	
686901	45
Shipping Cord and Brace Assembly	
800364	45
Shock Absorber Assembly	
800622P	33
800623P	33
Side Panel	
800004*P	41
800005*P	41
Speed Nut	
36020	23
Speed Switch	
800404	17
Spring	
800346	23
Standoff	
210098	7
Start Switch	
55899	17
Strain Relief	
38384	47
511628	43
Supply Injection Hose	
801635	25
Switch	
504570	7, 13, 15

T

Temperature Switch	
685595	17
Terminal Block	
505876	43
Transformer	
210018	7, 17, 19, 21
210019	7, 21
Tub-to-Drain Hose	
800902	37
12 Gauge Wire	
45380	52

U

Union	801638	9
Upper Junction Box	801497	43

V

Valve	F380618	37
Valve Kit	685766P	25, 27

W

Warning Label	500049	31, 45, 51
	505281	13, 17, 19, 21, 51
Washer	52549	35
	800457	33
	800465	39
Weight	800205	31
Wire Clamp	800811	31
Wire Clamp Ring	800438	23
Wire Clip	504034	47
	687500	25, 27, 47
Wire Harness	800125	52
	800212	52
	800213	52
	800215	52
	800216	52
	800217	52
	800374	52
	800590	52
	800680	52
	801063	52
	801064	52
	801281	52
	801300	52
	801324	52
	801518	52
Wire Tie	38663	47
	55881	23, 25, 27, 47