

Washer-Extractors

Cabinet Hardmount

SC125VNV
UC125VNV

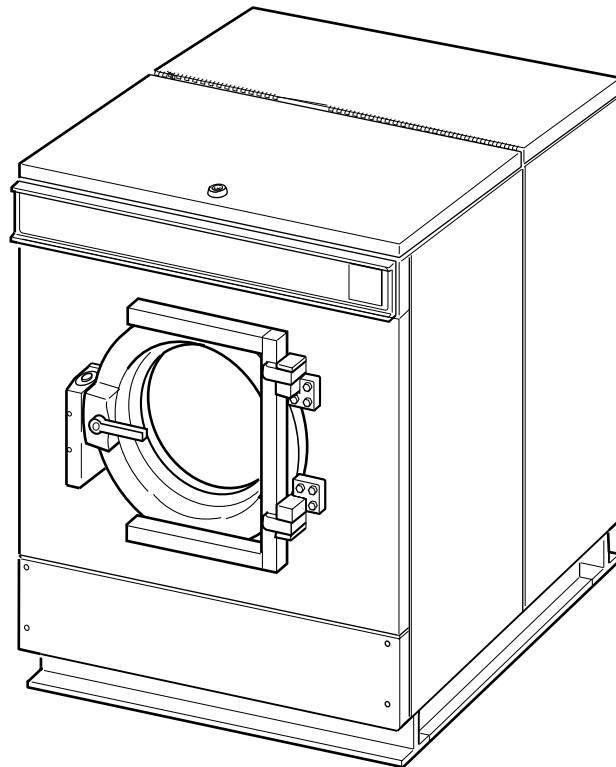


Table of Contents

Title	Page
Parts Ordering Information	2
Nameplate Location	2
Model Identification	3
Decals	4
Control Module	6
AC Drive	8
Valve Panel.....	10
Covers, Panels and Frame	12
Basket and Shell.....	14
Door	16
Door Lock	18
Supply Dispenser.....	20
Water Supply Valve and Hoses to Supply Dispenser.....	22
Water Supply Hoses	24
Water Inlet Valves and Hoses	26
Drain	28
Vacuum Breaker Weldment and Hoses.....	30
Vent Assembly	32
Balance Switch and Temperature Probe	34
Motor and Pulley	36
Steam Heat Assembly	38
Parts Index.....	41

© Copyright 2002, Alliance Laundry Systems LLC

All rights reserved. No part of the contents of this book may be reproduced or transmitted in any form or by any means without the expressed written consent of the publisher.

Parts Ordering Information

Alliance Laundry Systems is not responsible for personal injury or property damage resulting from improper service. Review all service information before beginning repairs.

If literature or replacement parts are required, contact the source from whom the machine was purchased or contact Alliance Laundry Systems at (920) 748-3950 for the name of the nearest authorized parts distributor.

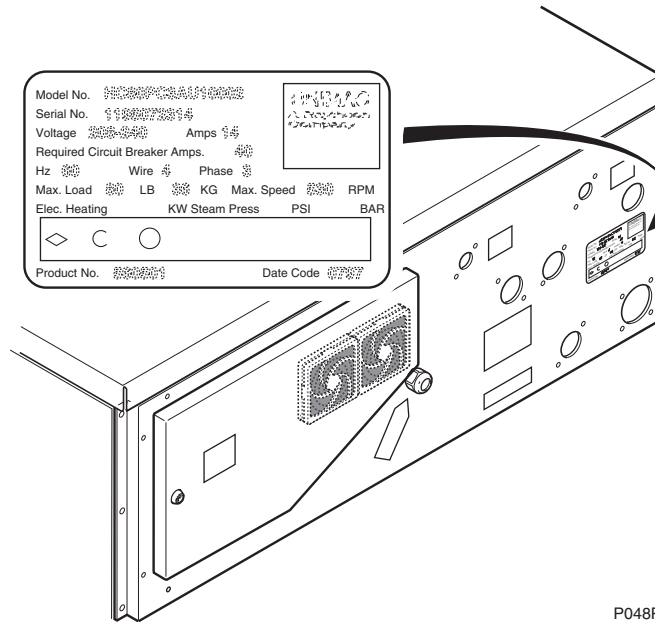
For technical assistance, call either of the following numbers:

(850) 718-1026
Marianna, Florida

(920) 748-3121
Ripon, Wisconsin

Nameplate Location

When calling or writing about your product, be sure to mention model and serial numbers. Model and serial numbers are located on nameplate(s) as shown.



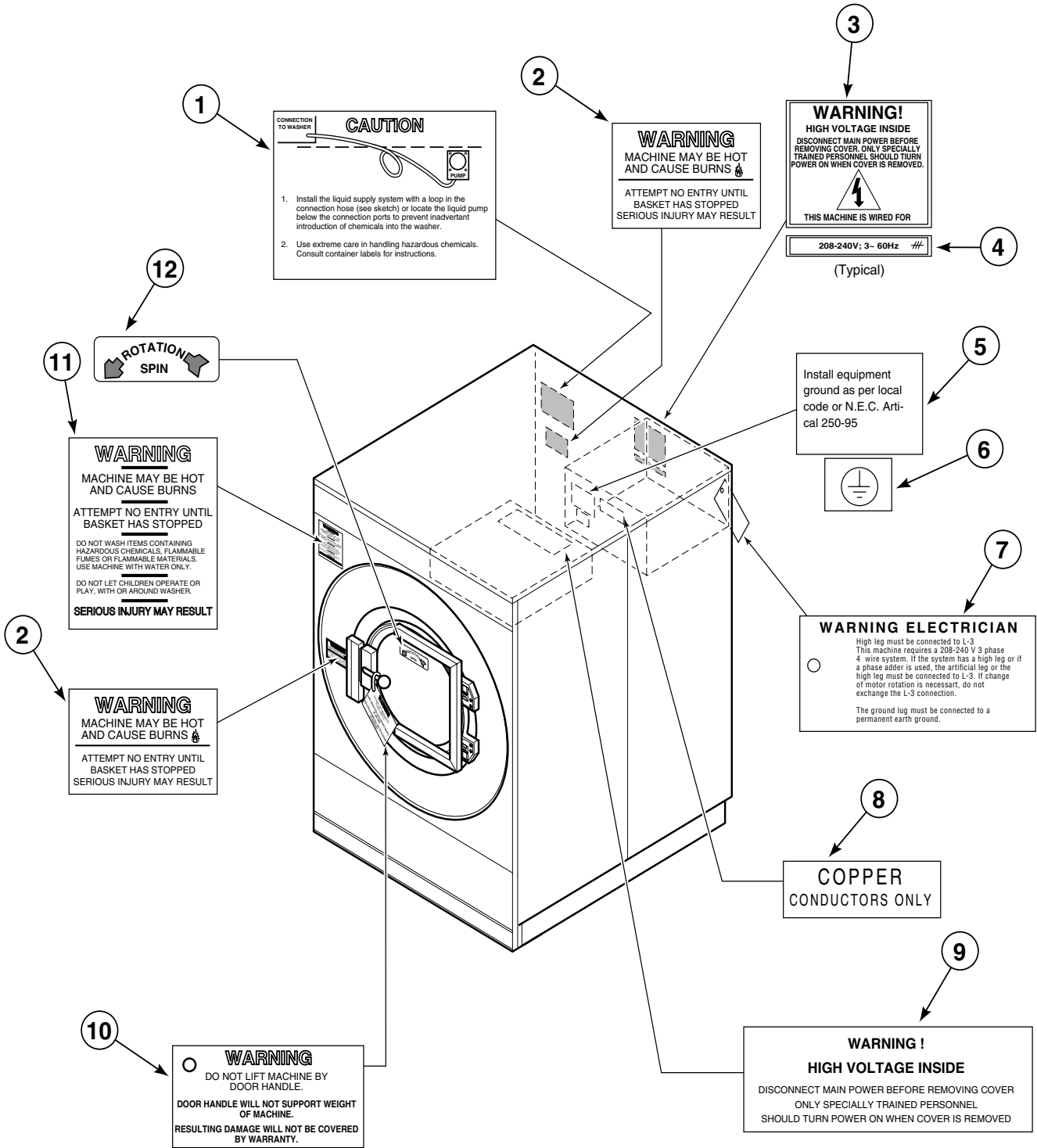
P048P

Model Identification

SC125VNV

UC125VNV

Decals

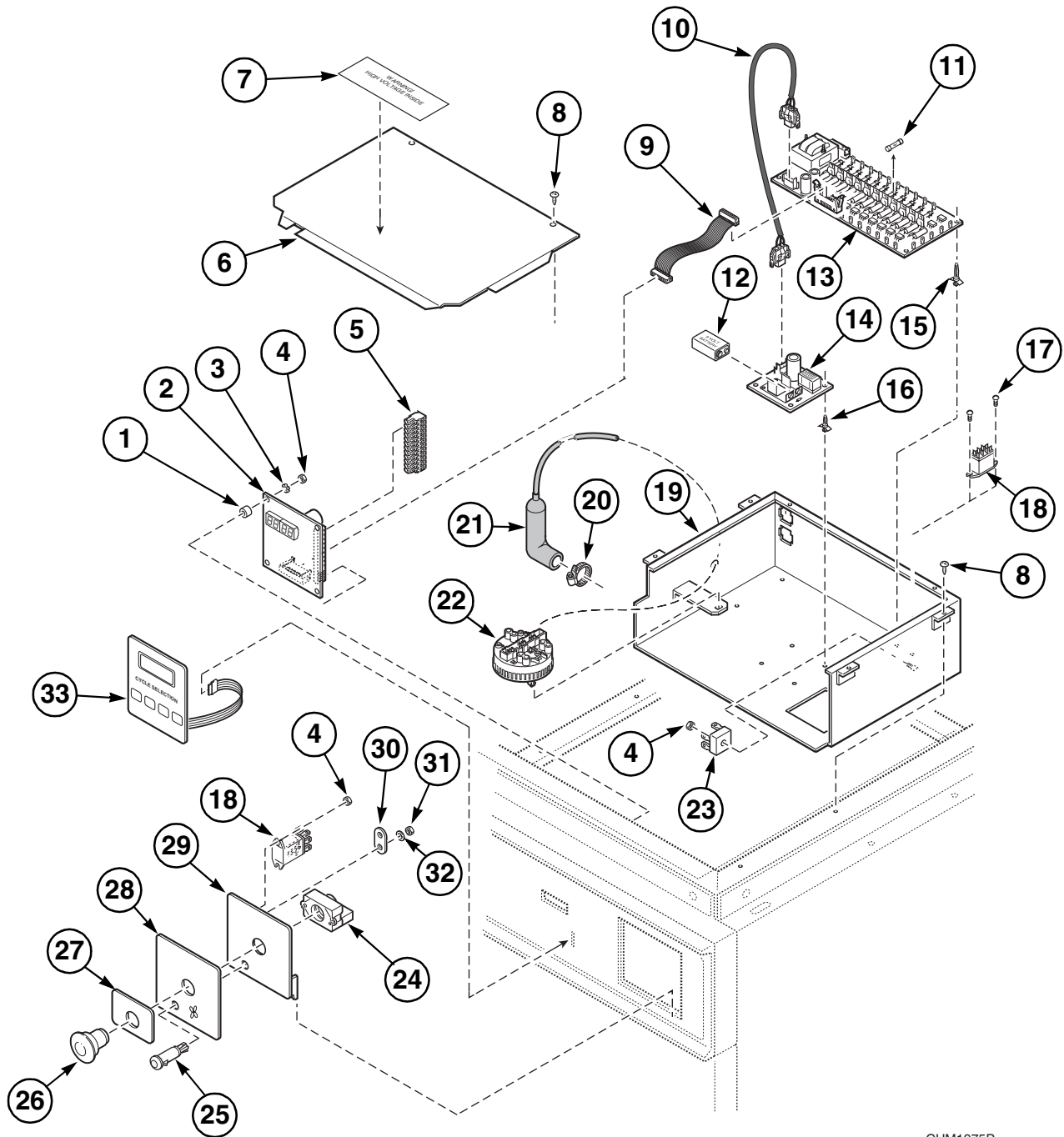


B099PE3A

Decals

REF	PART #	DESCRIPTION	COMMENTS
1	F230877	Decal	
2	F230757	Decal	
3	F230206	Decal	
4	F230208	Decal	
5	F230630	Decal	
6	F230739	Decal	
7	F230215-1	Decal	
8	F231146	Decal	
9	F230202	Decal	
10	F230216	Decal	
11	F231065	Decal	
12	F230693	Decal	

Control Module

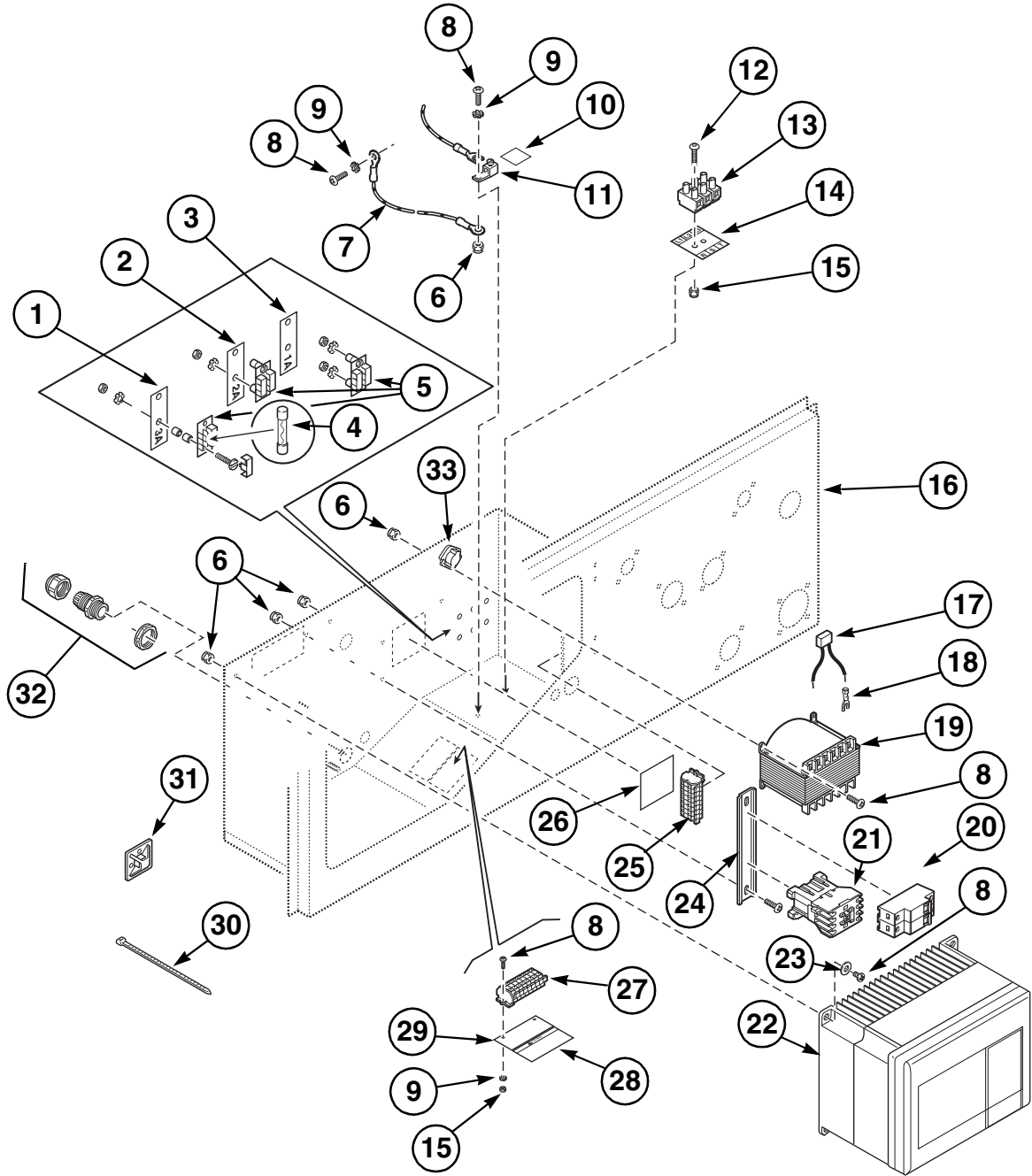


CHM1975P

Control Module

REF	PART #	DESCRIPTION	COMMENTS
1	F401206	Spacer	
2	F370313-13	Microcomputer	
3	F431113	Lockwasher	
4	F430231	Locknut	
5	F140768	Terminal	10 pole
6	F633795	Control Module Cover	
7	F230206	Decal	Warning: High voltage
8	F430174	Screw	
9	F140219	Ribbon Cable	26 pin; 15 inches
10	F140249	Wiring Harness	Battery backup; Used until 5/15/00
11	F350108	Fuse	1/8 Amp
	F350109	Fuse	1/2 Amp
	F350110	Fuse	1 Amp
12	F191101	Battery	9 Volt; Used until 5/15/00
13	F370447	Output Board	
14	F370529P	Battery Adapter Board	Used until 5/15/00
15	F180501	Standoff	
16	F432001	Circuit Board Support	
17	F430482	Screw	
18	F330227	Flange Relay	
19	F631579	Control Module Box	
20	F200215	Clamp	#28
21	F200163	Air Trap Hose	
22	F340318	Water Pressure Switch	
23	F370310	Bridge Rectifier	
24	F340444	Contact Block and Mounting Switch	For models made before 9/2/99; Items 24 and 26 must be replaced together
25	F350411	Light	Amber
26	F340718	Emergency Stop Pushbutton	For models made before 9/2/99; Items 24 and 26 must be replaced together
27	F231083	Decal	Emergency stop
28	F231391	Decal	Emergency stop
29	F633750	Emergency Stop Weldment	
30	F601515	Clip	
31	F430232	Nut	
32	F430311	Washer	
33	F340608	Membrane Switch	SC models
	F370576	Membrane Switch	UC models

AC Drive

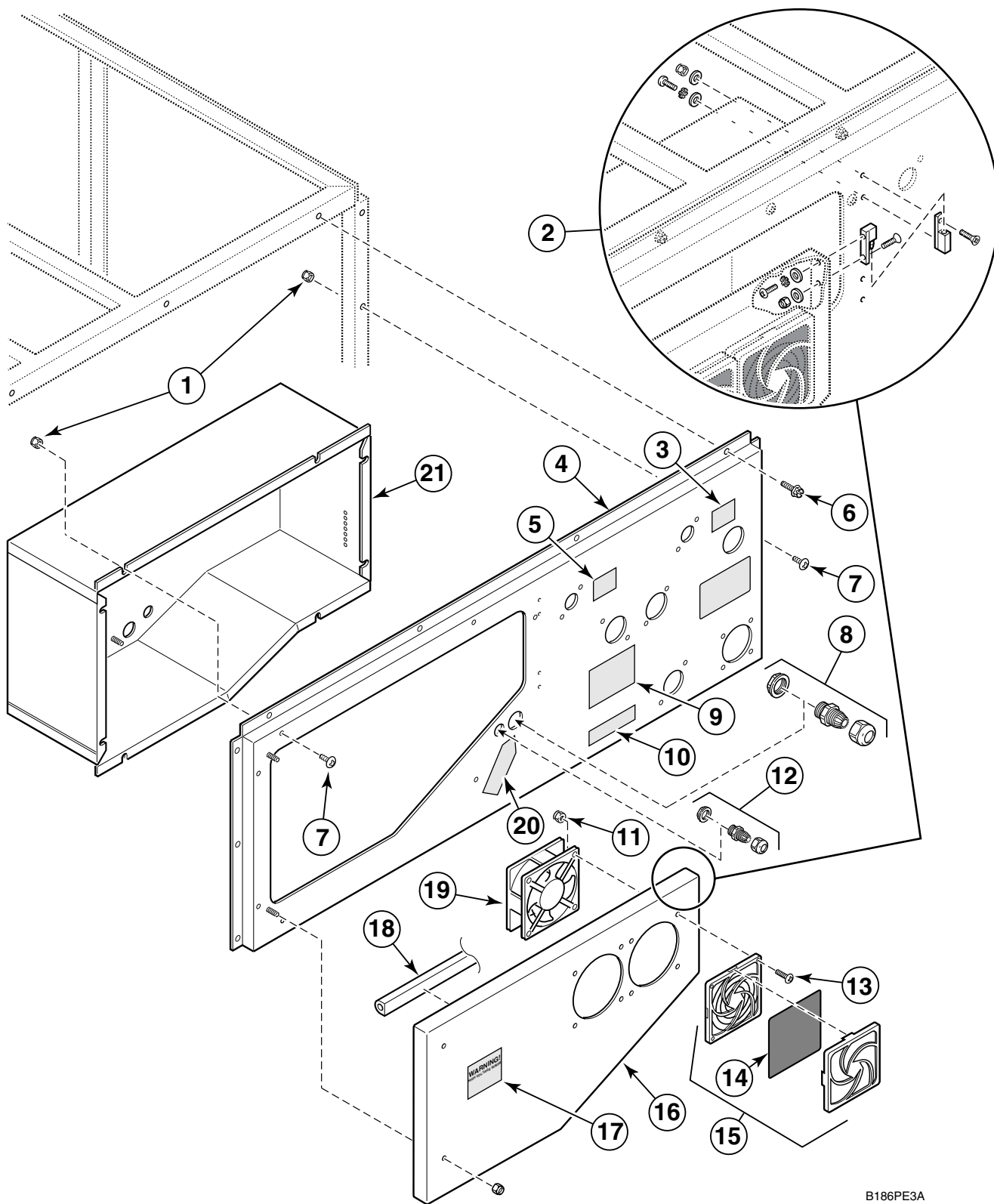


CHM1976P

AC Drive

REF	PART #	DESCRIPTION	COMMENTS
1	F231271	Decal	External supply fuse; 3 Amp
2	F231394	Decal	Fuse; 2 Amp
3	F231393	Decal	Fuse; 1 Amp; Q-voltage models only
4	F350110	Fuse	1 Amp; Q-voltage models only
	F350117	Fuse	2 Amp
	F350115	Fuse	3 Amp
5	F0350312-10	Dual Fuseholder	
6	F430231	Locknut	
7	F140161	Wire	Ground
8	F430928	Screw	
9	F431113	Lockwasher	
10	F230630	Decal	Ground
11	F140734	Ground Terminal Lug	
12	F430916	Screw	
13	F140747	Input Power Block	
14	F230677	Decal	Input power connector
15	F431022	Nut	
16	F633581	Valve Panel	
17	F330217	RC Network Filter	
18	F140598	Connector	
19	F360124	Transformer	120 Volt
20	F350217	Circuit Breaker	P and N-voltage models only
21	F330180	Contactora	120 Volt
22	F370838	AC Drive	200 Volt; 7.5 Horsepower
	F370818	AC Drive	400 Volt; 7.5 Horsepower
23	F430137	Screw	
24	F602595-4	Contactora Mounting Rail	
25	F140768	Neutral Bus Bar Connector	
26	F231299	Decal	Control transformer
27	F140766	Terminal Strip	
28	F231345-5	Decal	Caution: External Supply; N and P-voltage models
	F231345-4	Decal	Caution: External Supply; Q-voltage models
29	F231376-6	Decal	External supply; N and P-voltage models
	F231376-5	Decal	External supply; Q-voltage models only
30	F140605	Cable Tie	
31	F140602	Tie Wrap Mounting Clamp	
32	F140331	Strain Relief Connector	PG21
33	F290115	Thermostat	

Valve Panel

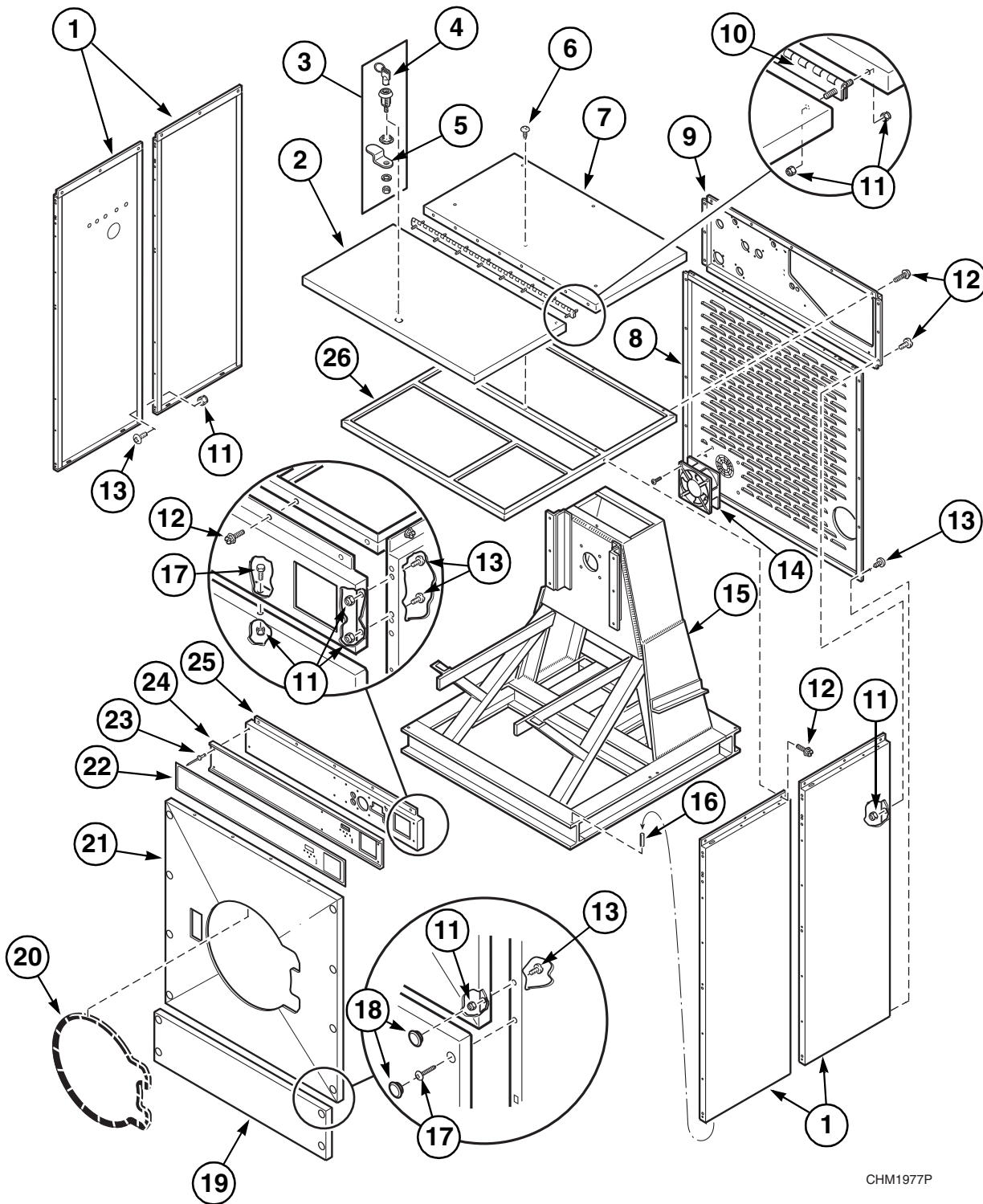


B186PE3A

Valve Panel

REF	PART #	DESCRIPTION	COMMENTS
1	F431024	Locknut	
2	F190209	Hinge	
3	F230856	Decal	Hot water
4	F633581	Valve Panel	
5	F230857	Decal	Cold water
6	F430179	Screw	
7	F430929	Screw	
8	F140331	Strain Relief Connector	PG21
9	F230877	Decal	Liquid supply connection
10	F230745	Decal	Lubrication instruction
11	F430231	Locknut	
12	F140329	Strain Relief Connector	PG13.6
13	F430910	Screw	
14	F0270321-00	Filter	
15	F220900	Filter Retainer Guard	
16	F633588	AC Drive Box Cover	Includes item 17
17	F230206	Decal	Warning: High voltage
18	F170176	Gasket	Order 6 feet
19	F110106	Muffin Fan	
20	F230917-1	Decal	External supply connection point
21	F633632-1	AC Drive Box Assembly	Q Voltage
	F633632-2	AC Drive Box Assembly	P and N Voltage

Covers, Panels and Frame

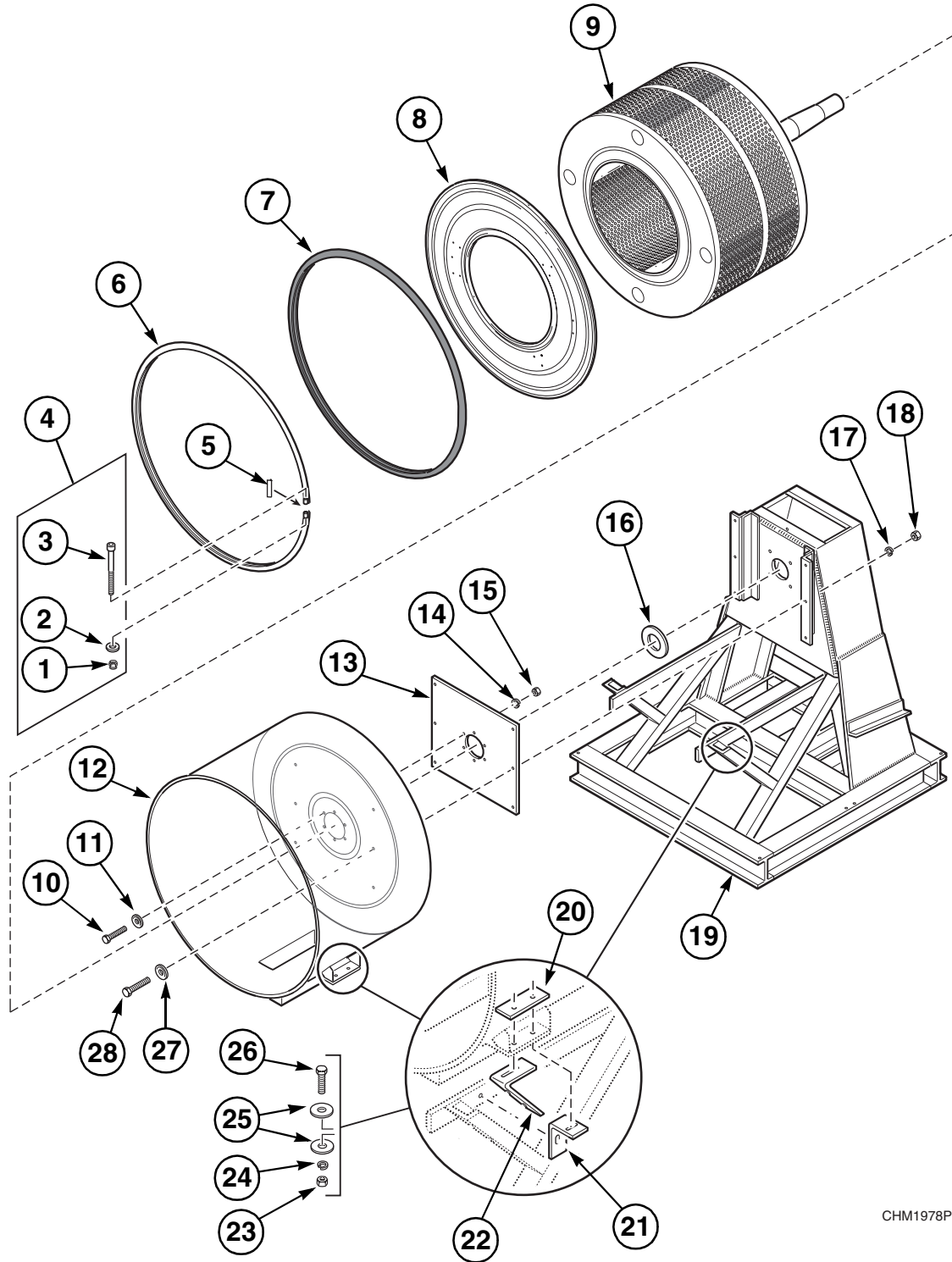


CHM1977P

Covers, Panels and Frame

REF	PART #	DESCRIPTION	COMMENTS
1	F633566	Side Panel	Reversible
	F634190	Side Panel	Side mount soap dispenser
2	F633602	Front Top Cover	
3	F190802	Lid Lock	GR3800; Includes items 4 and 5
4	F160562	Key	GR3800
5	F633713	Latch	
6	F430986	Screw	
7	F633592	Rear Top Cover	
8	F633611	Rear Panel	
9	F633581	Valve Panel	
10	F633958	Top Cover Hinge Weldment	
11	F430232	Locknut	
12	F430179	Screw	
13	F430929	Screw	
14	F110100	Fan	
15	F633272	Frame Weldment	
16	F430939	Screw	
17	F430174	Screw	
18	F140563	Plug	
19	F633565	Bottom Front Panel	
20	F170400	Trim	Order 6 feet
21	F633564	Middle Front Panel	
22	F0231584-01	Control Panel Decal	SC models; Used after 1/1/02
	F0231584-00	Control Panel Decal	UC models; Used after 1/1/02
	F0231390-01	Control Panel Decal	SC models; Used from 3/6/01 until 1/1/02
	F0231413-01	Control Panel Decal	UC models; Used from 3/6/01 until 1/1/02
	F0231390-00	Control Panel Decal	SC models; Used until 3/6/01
	F0231413-00	Control Panel Decal	UC models; Used until 3/6/01
23	F430418	Rivet	
24	F150479	Control Panel Extrusion	
25	F633563	Top Front Panel	
26	F633562	Top Frame Weldment	

Basket and Shell

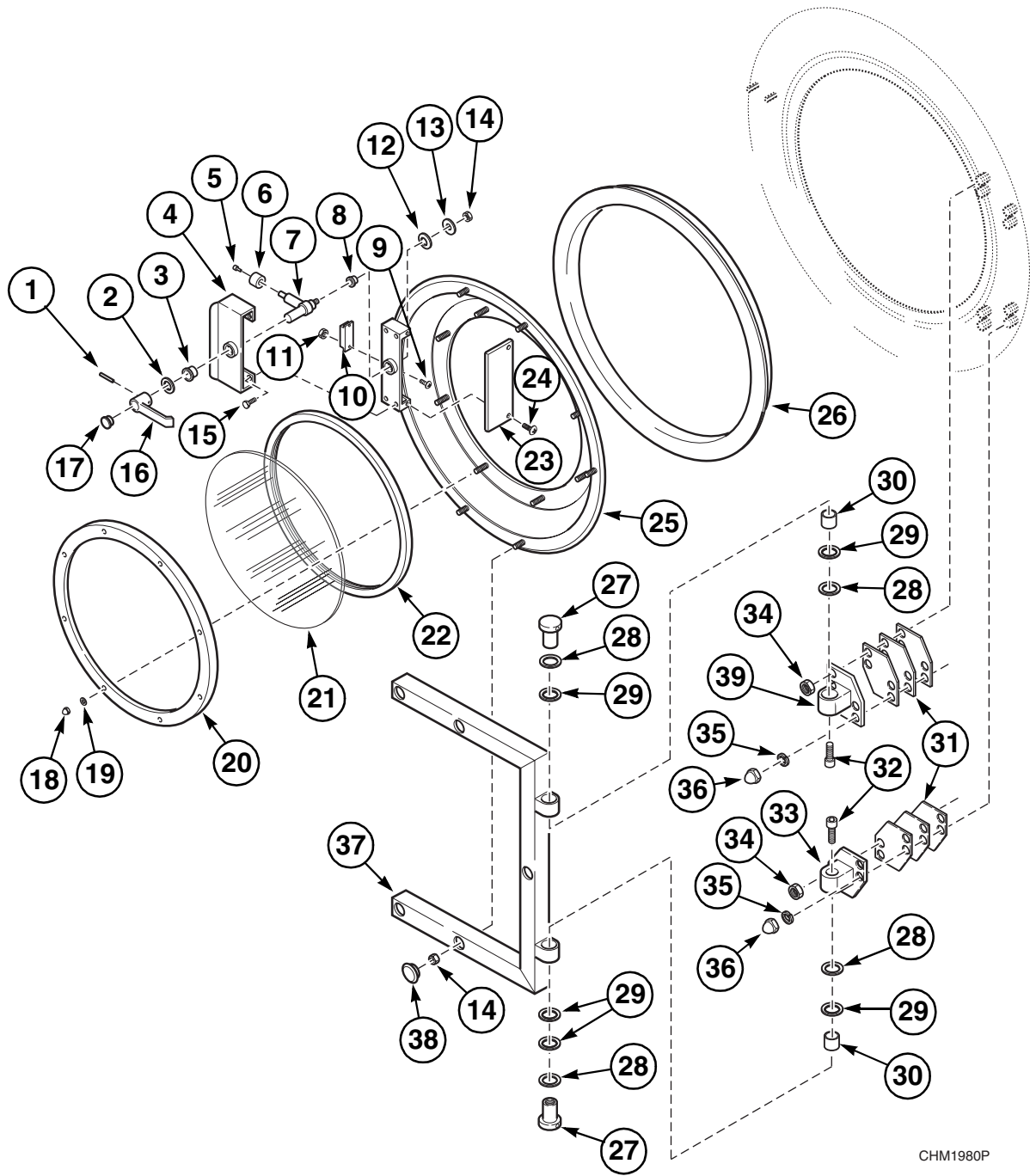


CHM1978P

Basket and Shell

REF	PART #	DESCRIPTION	COMMENTS
	F798833-00	Shaft Seal Kit	
1	F430215	Locknut	
2	F430317	Washer	
3	F430500	Screw	
4	F791001	Shell Band Fastener Kit	Includes items 1, 2 and 3
5	F601216	Shell Gasket Shield	
6	F603630	Shell Band Assembly	
7	F170120	Shell Band Gasket	Order 12 feet
8	F633952	Shell Front Weldment	
9	F633619	Basket Assembly	
10	F430913	Screw	
11	F431112	Washer	
12	F634647	Shell Weldment	
13	F601718	Shell Reinforcement Plate	
14	F431100	Lockwasher	
15	F431005	Nut	
16	F100205	Slinger	
17	F430321	Lockwasher	
18	F430212	Nut	
19	F633272	Frame Weldment	
20	F601950	Shell Mounting Washer	
21	F601951	Shell Bracket Support	
22	F603592	Shell Adjusting Bracket Assembly	Left
	F603615	Shell Adjusting Bracket Assembly	Right
23	F430205	Nut	
24	F430305	Lockwasher	
25	F430301	Washer	
26	F430109	Screw	
27	F431116	Washer	
28	F430924	Screw	

Door



CHM1980P

Door

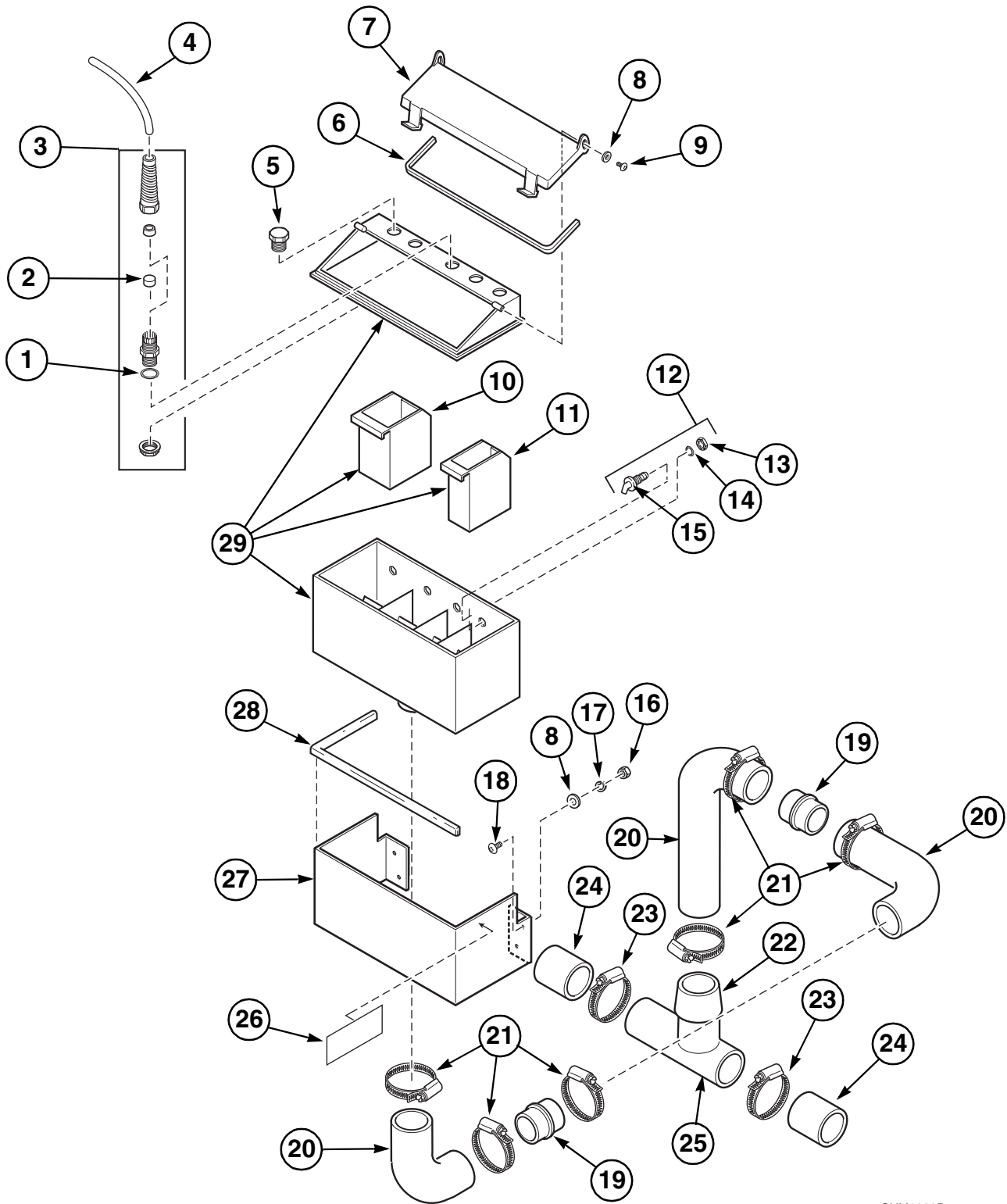
REF	PART #	DESCRIPTION	COMMENTS
1	F431222	Pin	
2	F431907	Washer	
3	F280253	Bushing	
4	F633640	Door Support	
5	F340502	Magnet	
6	F100145	Follower Cam	
7	F608536	Pivot Lock Weldment	
8	F280252	Bushing	
9	F430928	Screw	
10	F340703	Magnet	
11	F430231	Locknut	
12	F431143	Washer	
13	F431142	Washer	
14	F431024	Locknut	
15	F430923	Screw	
16	F150225	Door Handle	
17	F140563	Plug	
18	F431026	Nut	
19	F431100	Lockwasher	
20	F320102	Door Retainer Spinning	
21	F290210P	Glass	
22	F170115	Door Glass Gasket	
23	F633792	Door Support Cover	
24	F430986	Screw	
25	F633650	Door Weldment	
26	F170162	Door Gasket	
27	F432306	Hinge Pin	
28	F431934	Washer	Nylon
29	F431933	Washer	Neoprene
30	F280293	Bearing Sleeve	
31	F633666	Plate	
32	F432285	Screw	
33	F633753	Base Weldment	
34	F431036	Locknut	
35	F431139	Lockwasher	
36	F431047	Nut	
37	F633663	Hinge Weldment	
38	F190309	Plug	
39	F633751	Base Weldment	

Door Lock

REF	PART #	DESCRIPTION	COMMENTS
1	F430929	Screw	
2	F606529	Door Lock Cover Weldment	
3	F230816	Decal	Door unlock
4	F170404	Trim	Order 3 feet
5	F430215	Locknut	
6	F340712	Pushbutton	
7	F340503	Hall Effect Sensor Switch	
8	F430231	Locknut	
9	F430928	Screw	
10	F140766	Terminal	8 pole
11	F607602	Shim	
12	F340702	Magnetic Position Switch	
13	F430928	Screw	
14	F340502	Magnet	
15	F0150518-00	Door Lock Cam	
16	F430921	Screw	
17	F310107	Spring	
18	F310133	Spring	
19	F300122	Solenoid	
20	F330217	RC Network Filter	
21	F606540	Door Lock Bracket Weldment	
22	F340444	Contact Block and Mounting Switch	
23	F431106	Lockwasher	

Supply Dispenser

Optional



CHM1982P

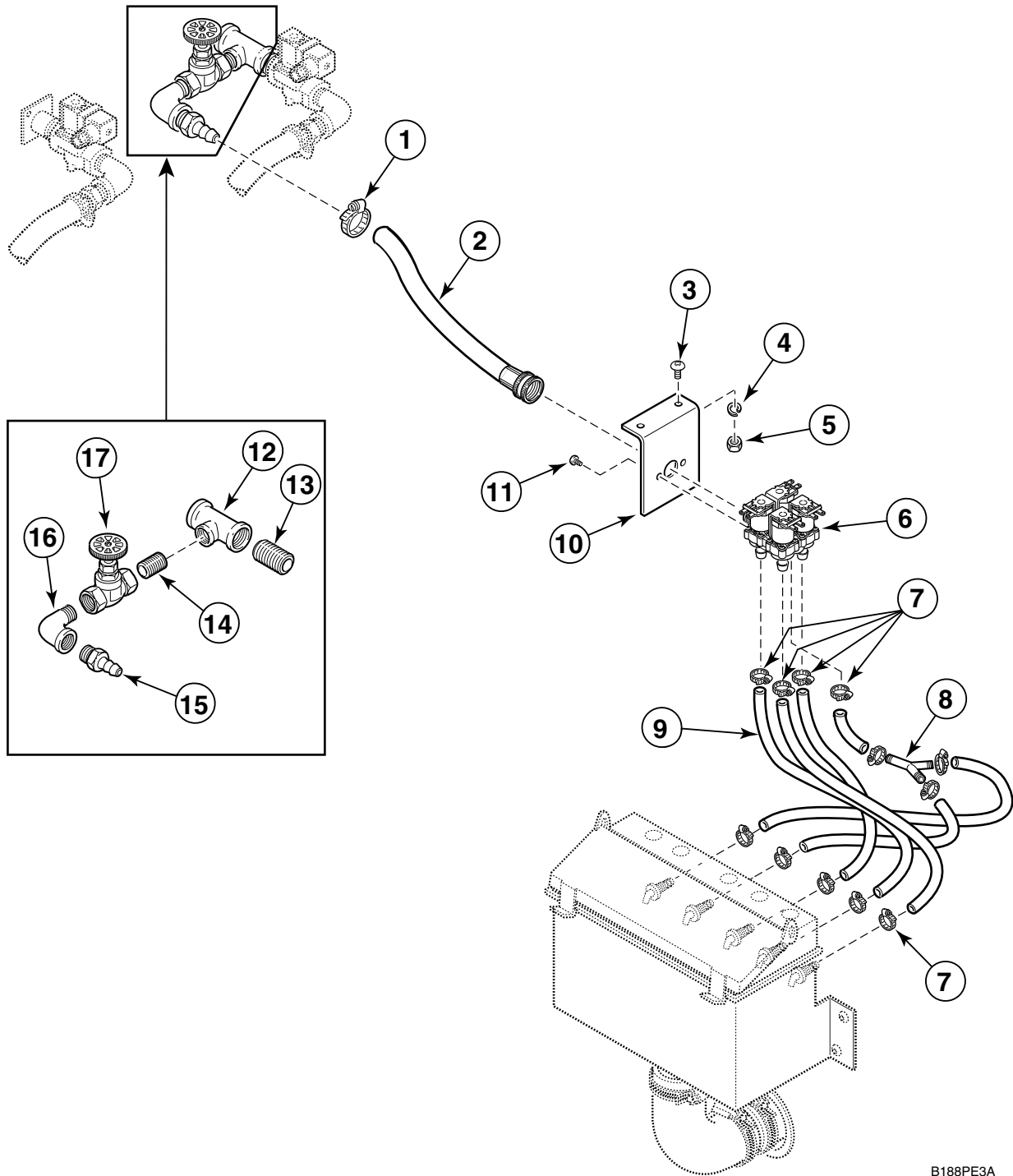
Supply Dispenser

Optional

REF	PART #	DESCRIPTION	COMMENTS
1	F170215	O-Ring	
2	F170165	Plug	
3	F749802	Strain Relief Adapter Kit	
4	F150390	Tubing	
5	F190304	Plug Cap	
6	F170158	Supply Dispenser Lid Gasket	
7	F150384	Dispenser Lid	
8	F431147	Washer	
9	F430956	Screw	
10	F150386	Chemical Supply Cup	32 ounce
11	F150385	Chemical Supply Cup	20 ounce
12	F730168	Soap Injection Nozzle Kit	
13	F430224	Nut	
14	F170208	O-Ring	
15	F380300	Injection Nozzle	
16	F430215	Locknut	
17	F431100	Lockwasher	
18	F430925	Screw	
19	F150412	Union	
20	F150391	Hose	
21	F200213	Clamp	#40
22	F610799	Pipe	
23	F200219	Clamp	#48
24	F610154	Pipe	
25	F422803	Tee	
26	F231020	Decal	Polypropylene dispenser
27	F634189	Soap Dispenser Bracket	
28	F170401	Inner Front Panel Gasket	Order 2 feet
29	F150500	Dispenser Assembly	

Water Supply Valve and Hoses to Supply Dispenser

Optional



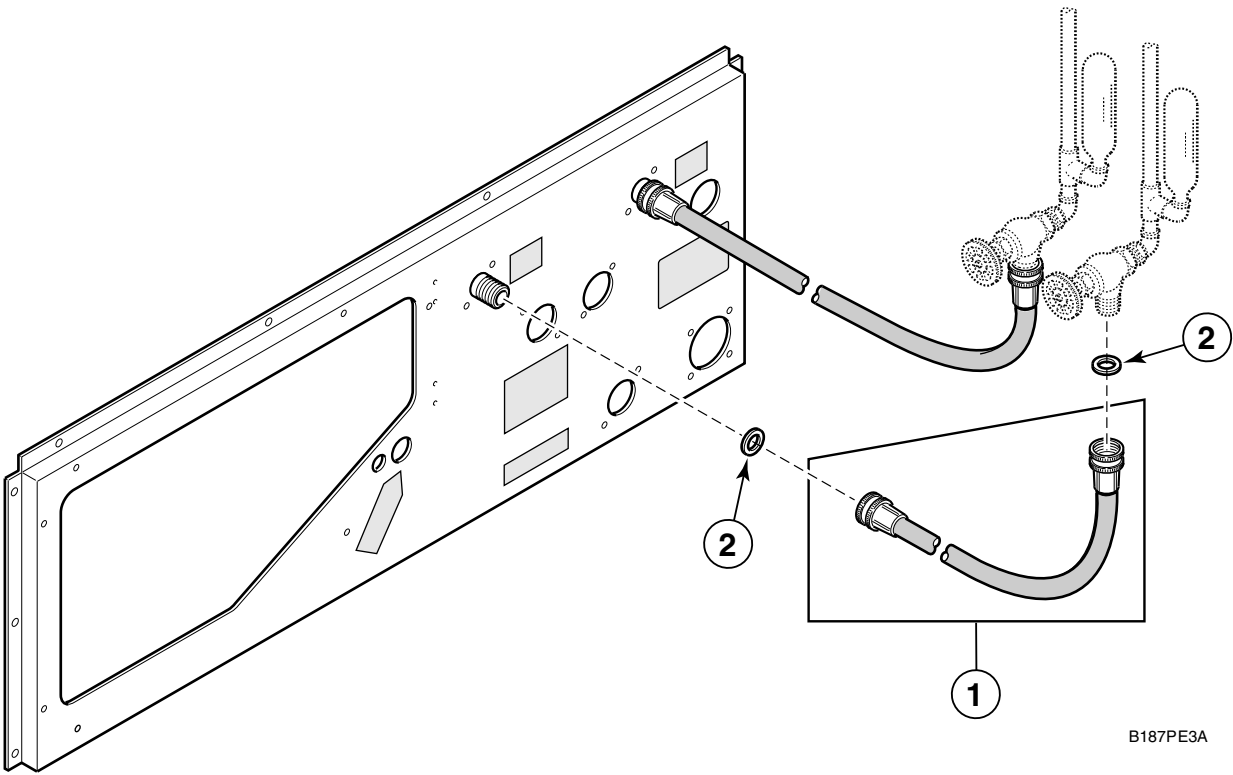
B188PE3A

Water Supply Valve and Hoses to Supply Dispenser

Optional

REF	PART #	DESCRIPTION	COMMENTS
1	F200207	Clamp	#8
2	F150493	Supply Dispenser Hose	
3	F430939	Screw	
4	F431147	Washer	
5	F431024	Locknut	
6	F381724	4-Way Valve	
7	38601	Clamp	#6
8	F422808	Y-Connector	
9	F200110	Hose	Order 6 feet
10	F634261	Bracket	
11	F430948	Screw	
12	F420419	Tee	
13	F420118	Nipple	
14	F420101	Nipple	
15	F421930	Hose Barb	
16	F420500	Elbow	
17	F380500	Gate Valve	

Water Supply Hoses

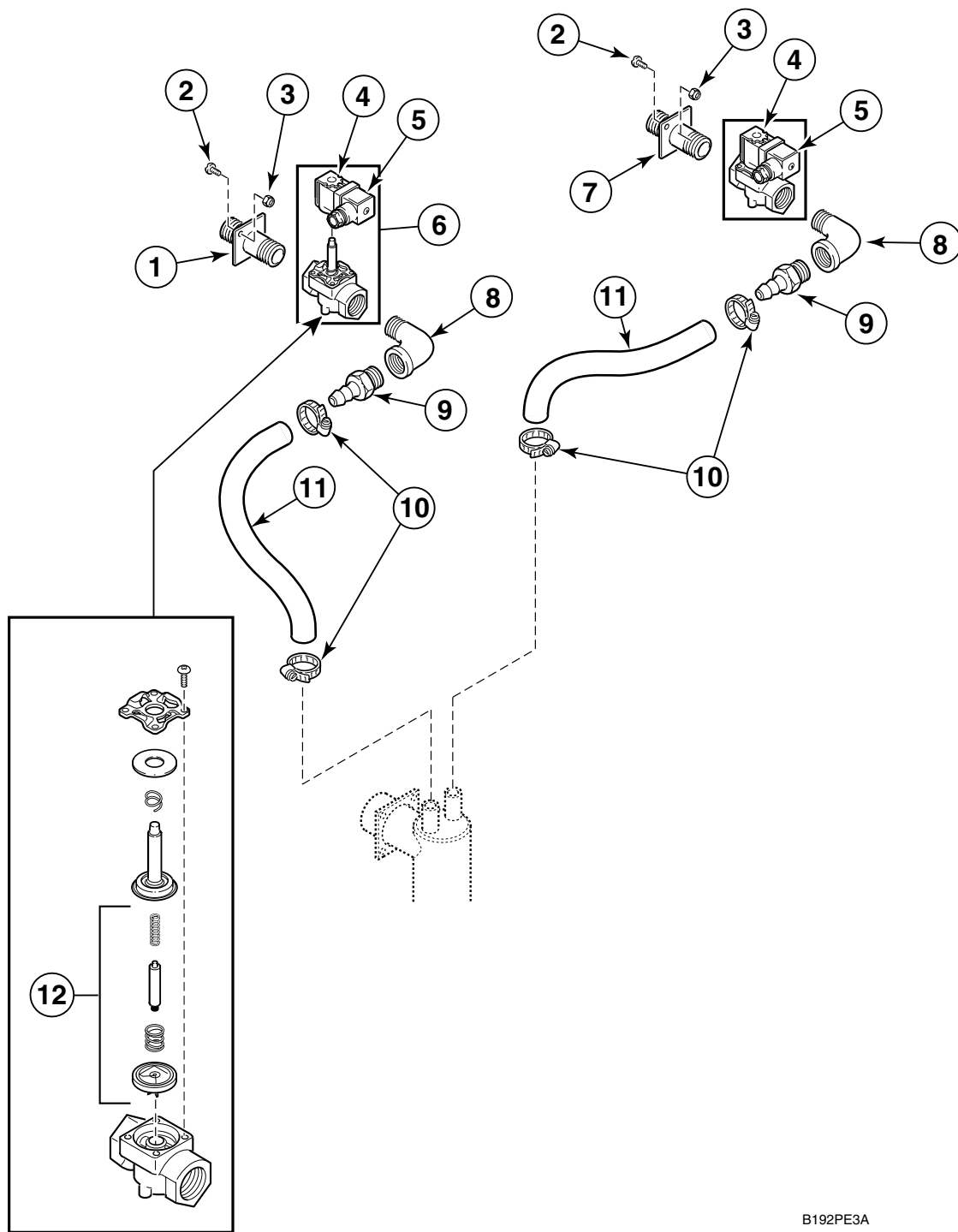


B187PE3A

Water Supply Hoses

REF	PART #	DESCRIPTION	COMMENTS
1	F200185	Hose	
2	F200503	Hose Washer	

Water Inlet Valves and Hoses

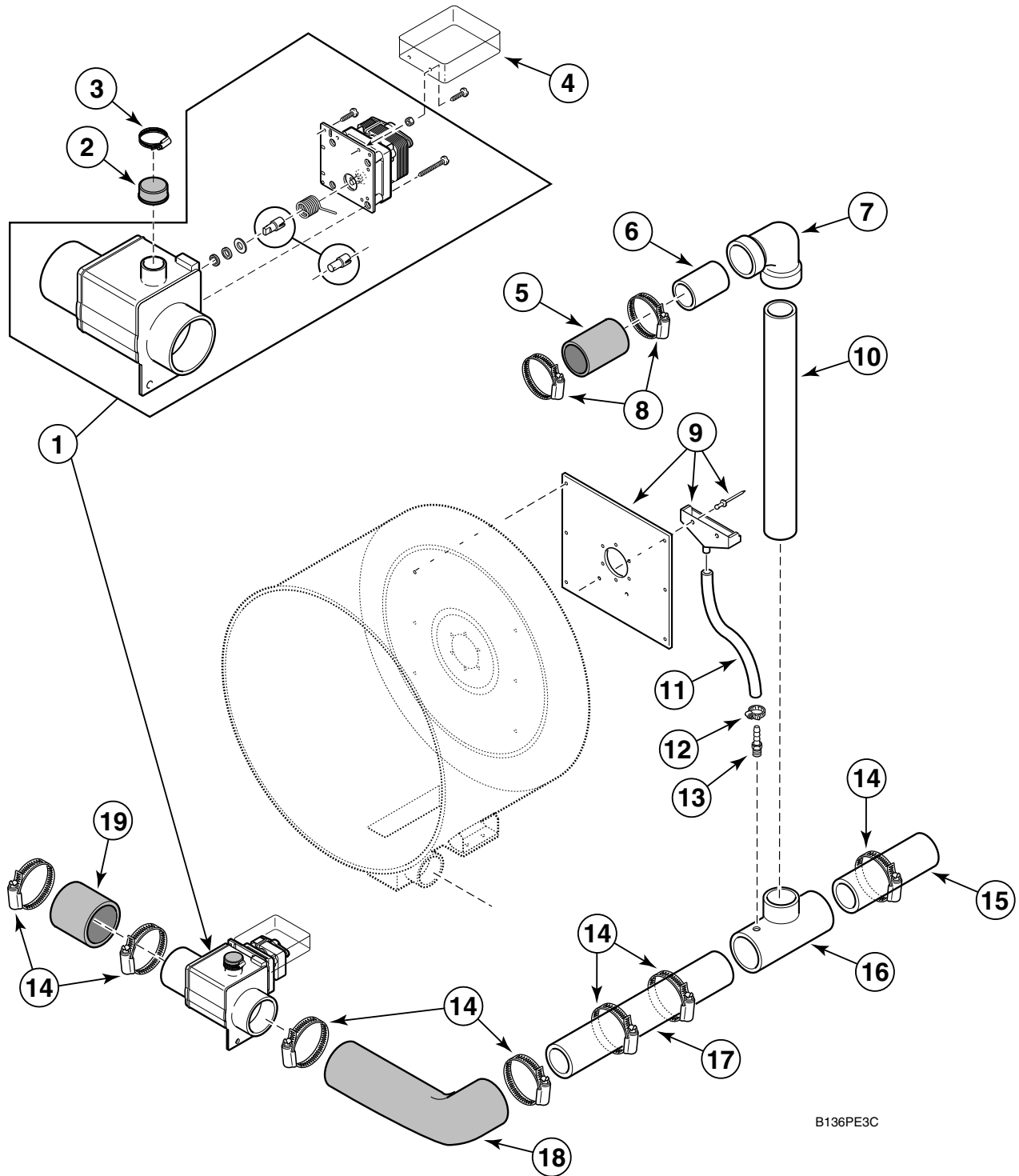


B192PE3A

Water Inlet Valves and Hoses

REF	PART #	DESCRIPTION	COMMENTS
1	F607515	Nipple Inlet Weldment	4 inch; Standard thread; For models with side mount soap dispenser
	F0637212-00	Nipple Inlet Weldment	4 inch; Metric thread; For models with side mount soap dispenser
2	F430928	Screw	
3	F430231	Locknut	
4	F300127	Solenoid	
5	F140609	Din Connector	
6	F381727	Valve	
7	F607532	Nipple Inlet Weldment	7 inch; Standard thread; For models without side mount soap dispenser
	F609279	Nipple Inlet Weldment	7 inch; Metric thread; For models without side mount soap dispenser
8	F421706	Elbow	
9	F421952	Hose Barb	
10	F200222	Clamp	#12
11	F200155	Hose	Order 3 feet
12	F0381007	Valve Repair Kit	

Drain

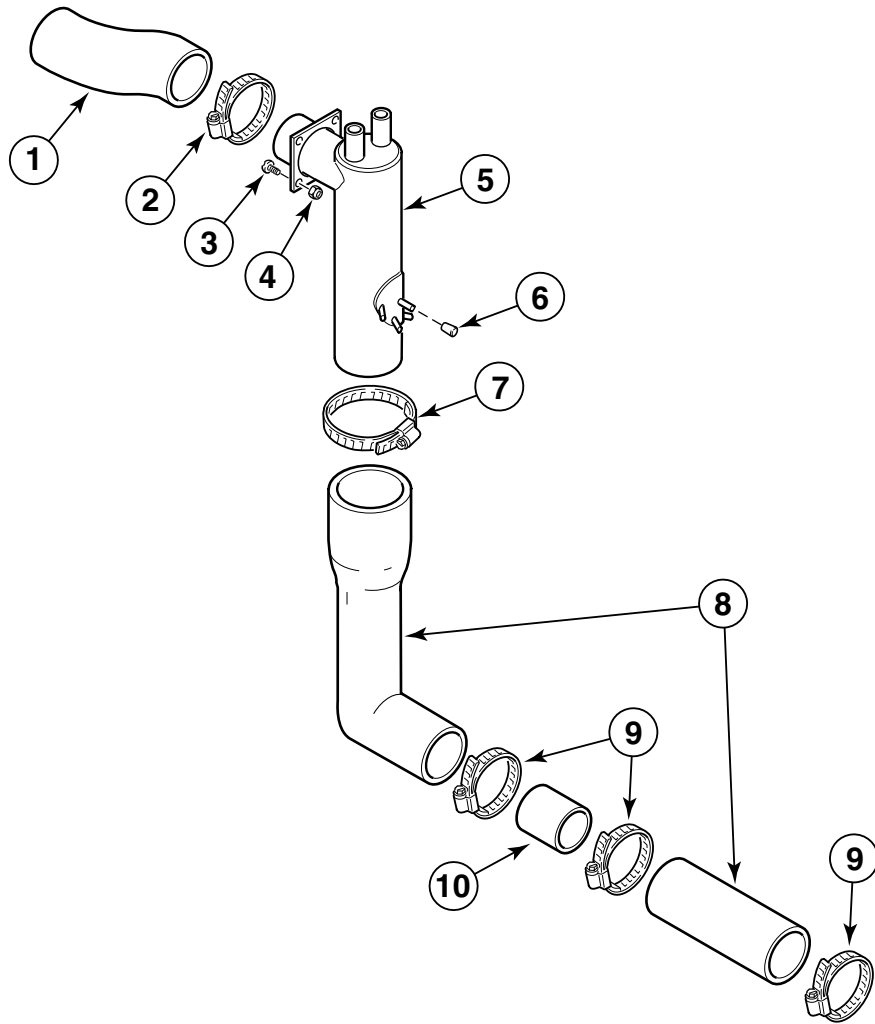


B136PE3C

Drain

REF	PART #	DESCRIPTION	COMMENTS
1	F381727	Drain Valve	
	F380628	Drain Valve	120 Volt
	F380629	Drain Valve	240 Volt
2	F150352	Overflow Plug	
3	F200215	Clamp	#28
4	F602761	Drain Valve Motor Cover	
5	F609401	Tubing	
6	F610822	Pipe	
7	F422900	Elbow	
8	F200213	Clamp	#40
9	F604051	Shell Reinforcement Plate Assembly	Includes scupper
10	F610824	Pipe	
11	F200107	Hose	Order 4 feet
12	F200207	Clamp	#8
13	F421929	Hose Barb	
14	F200201	Clamp	#56
15	F610036	Pipe	
16	F422803	Tee	
17	F610037	Pipe	
18	F150411	Drain Hose	
19	F150442	Drain Hose	

Vacuum Breaker Weldment and Hoses



B191PE3A

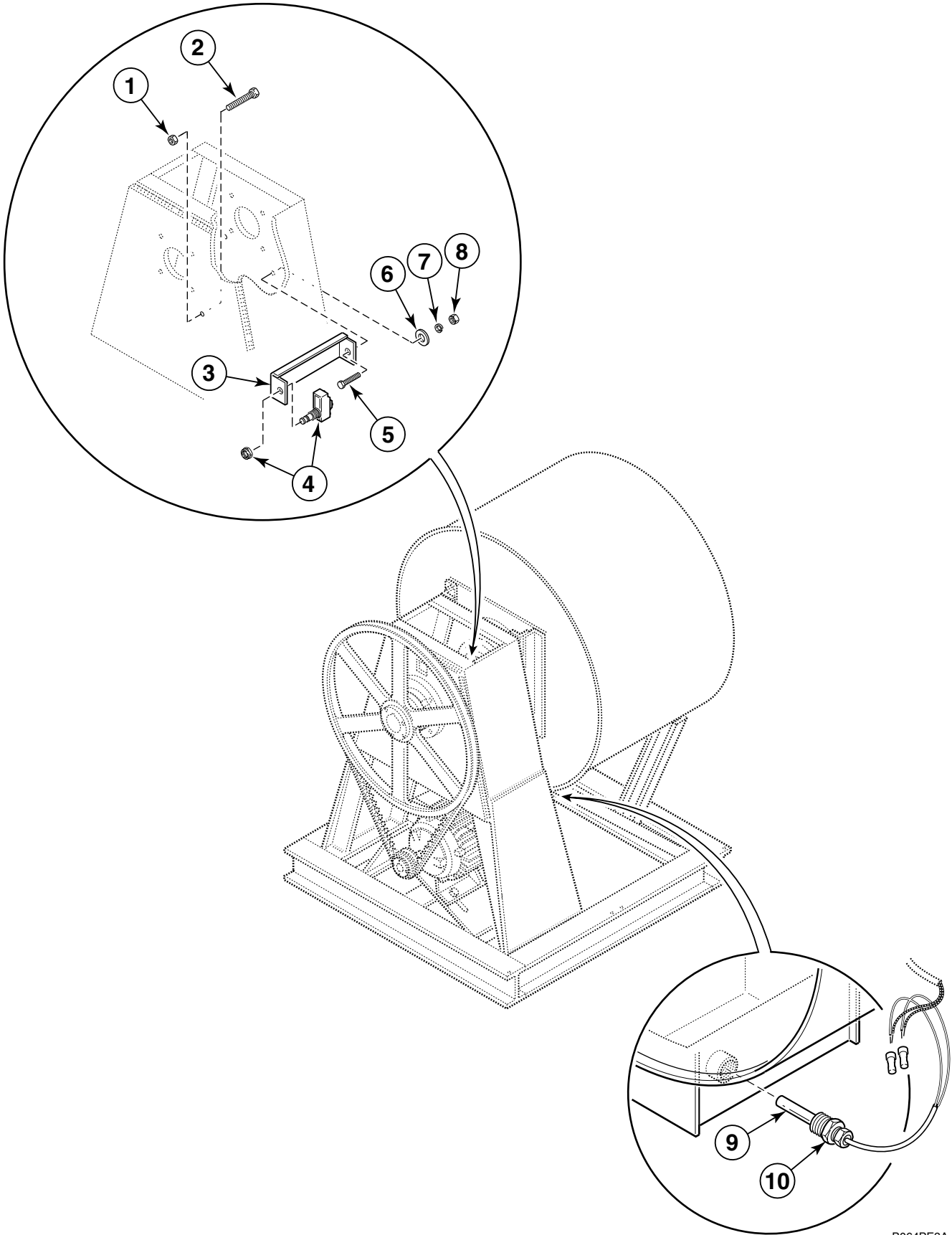
Vacuum Breaker Weldment and Hoses

REF	PART #	DESCRIPTION	COMMENTS
1	F150309	Hose	
2	F200213	Clamp	#40
3	F430928	Screw	
4	F430231	Locknut	
5	F633606	Vacuum Breaker Weldment	
6	F190303	Cap	
7	F200219	Clamp	#48
8	F150399	Hose	
9	F200415	Clamp	#36
10	F602365-7	Pipe	

Vent Assembly

REF	PART #	DESCRIPTION	COMMENTS
1	F200204	Clamp	#20
2	F200170	Vent Flex Hose	
3	F430215	Locknut	
4	F430925	Screw	
5	F422517	Vent Nipple	
6	F634256	Vent Assembly	

Balance Switch and Temperature Probe

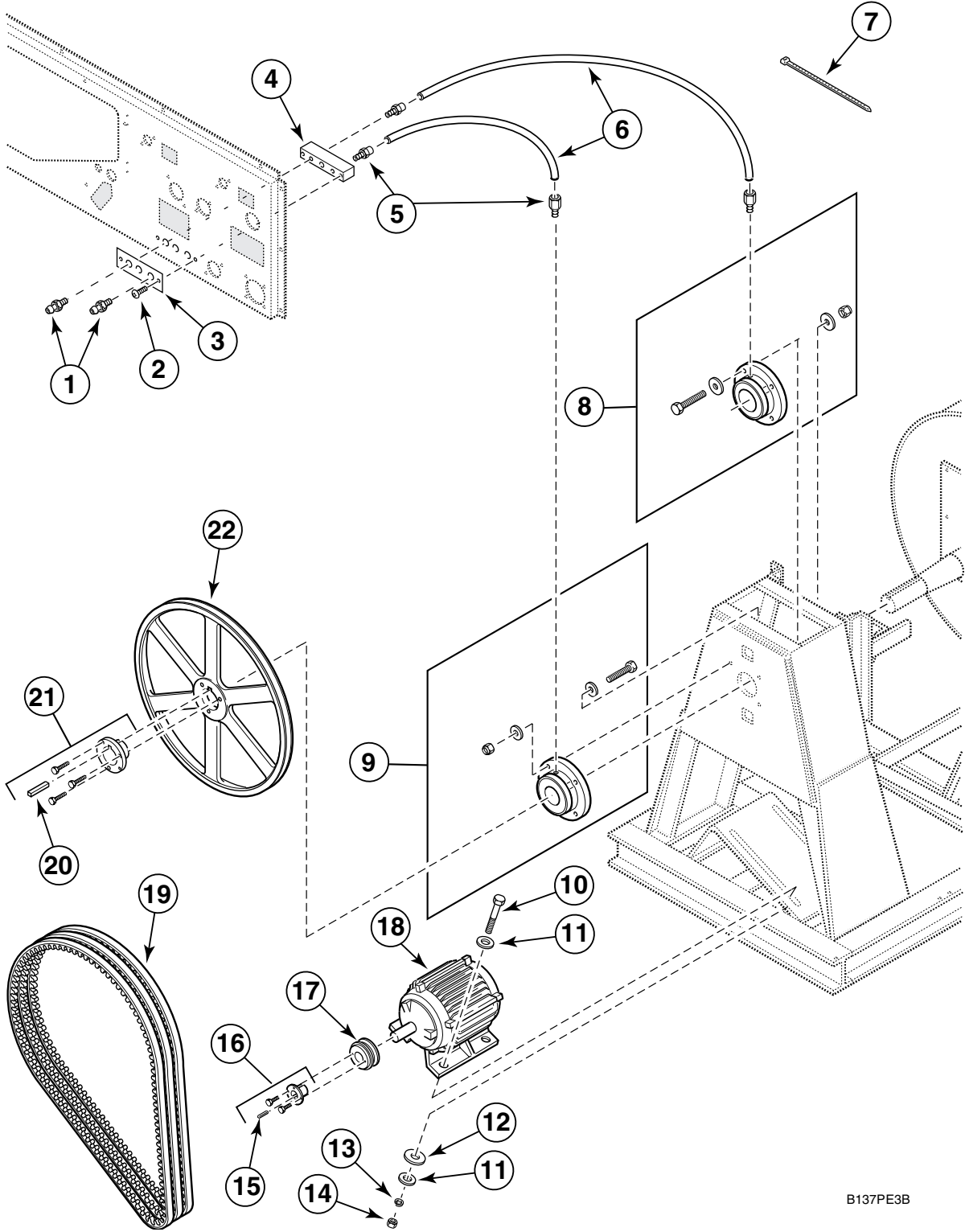


B064PE3A

Balance Switch and Temperature Probe

REF	PART #	DESCRIPTION	COMMENTS
1	F430206	Nut	
2	F430124	Screw	
3	F601750	Balance Switch Bracket	
4	F340900	Switch	
5	F430109	Screw	
6	F430301	Washer	
7	F430305	Lockwasher	
8	F430205	Nut	
9	F370606	Temperature Probe	
10	F421936	Reducer Bushing	

Motor and Pulley



B137PE3B

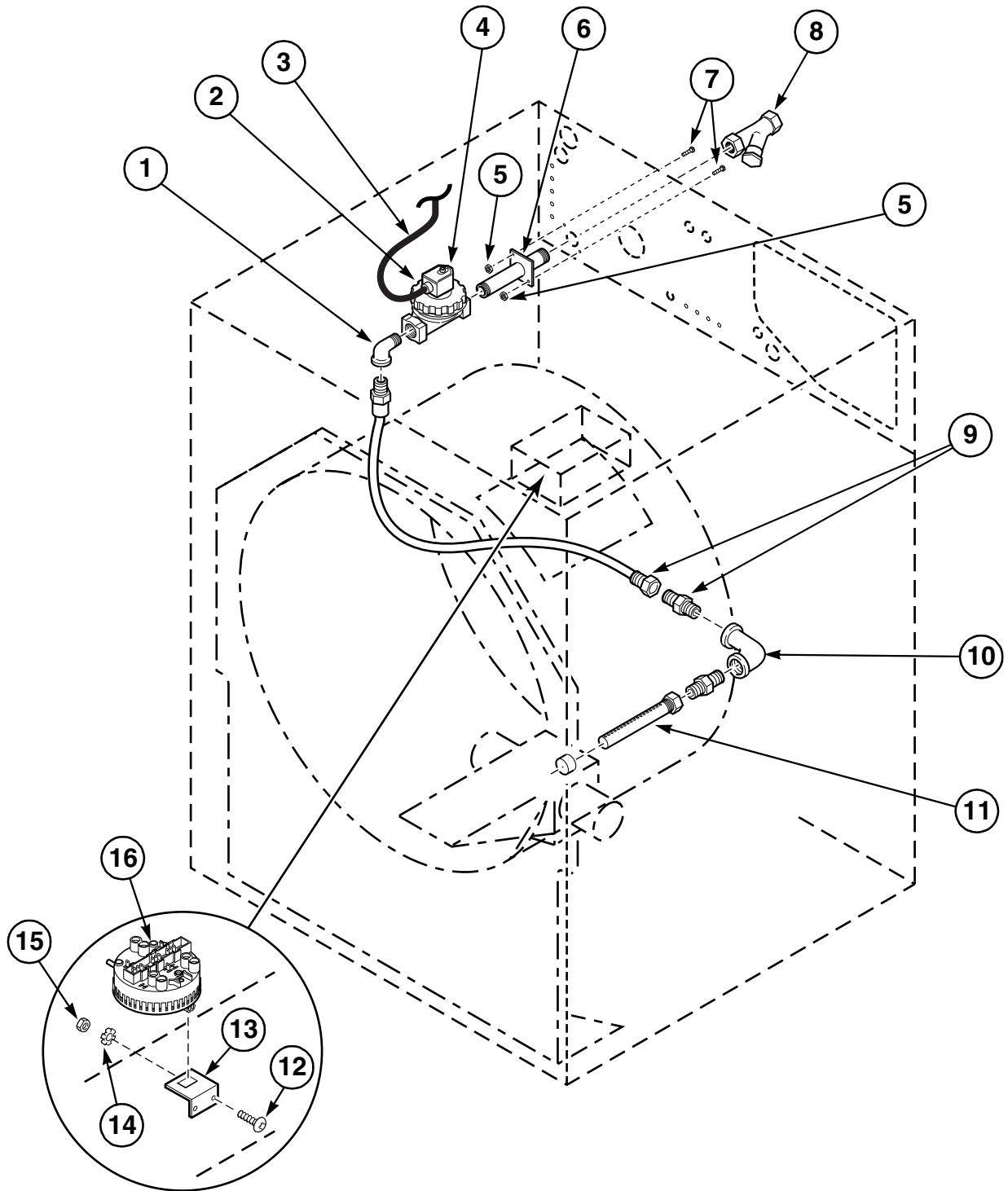
Motor and Pulley

REF	PART #	DESCRIPTION	COMMENTS
1	F190701	Grease Fitting	
2	F430916	Screw	
3	F230745	Decal	Lubrication instructions
4	F320326	Grease Manifold	
5	F422101	Coupling	
6	F200190	Tubing	Order 6 feet
7	F140605	Cable Tie	
8	F798835-00	Front Bearing Kit	Includes seal and attaching hardware
	F0100309-00	Seal	
9	F745010	Rear Bearing Kit	Includes seal and attaching hardware
10	F430993	Screw	
11	F430301	Washer	
12	F430300	Washer	
13	F430305	Lockwasher	
14	F430205	Nut	
15	F430802	Key	
16	F280242	Motor Bushing	Includes screws and item 21
17	F280289	Motor Pulley	
18	F220237*	Motor	Magnetek; Current production; Replaces all previous motors but may need new AC drive parameter sets
19	F280371	Belt	3VX1180
20	F608824-1	Key	
21	F280294	Basket Pulley Bushing	Includes screws and item 26
22	F150268	Basket Pulley	

***This motor replaces all previous motors. However, when using F220237 as a replacement for a previous motor, please contact Alliance Laundry Systems to see if the machine's AC drive parameters have to be changed.**

Steam Heat Assembly

Optional



CHM1983P

Steam Heat Assembly

Optional

REF	PART #	DESCRIPTION	COMMENTS
	F640242	Direct Steam Heat Kit	
1	F421106	Elbow	
2	F380788	Steam Valve	120 Volt; 3/4 inch
3	F140887	Harness Assembly	
4	F380986	Coil	120 Volt
5	F430215	Locknut	
6	F607660	Steam Inlet Flange Weldment	
7	F430925	Screw	
8	F270308	Steam Filter	
9	F200183	Steam Hose	Includes fitting
10	F421106	Elbow	
11	F603132	Steam Tube Assembly	
12	F430928	Screw	
13	F630242	Water Level Switch Bracket	
14	F431113	Lockwasher	
15	F431022	Nut	
16	F340443	Water Pressure Switch	

Parts Index

A

AC Drive	
F370818	9
F370838	9
AC Drive Box Assembly	
F633632-1	11
F633632-2	11
AC Drive Box Cover	
F633588	11
Air Trap Hose	
F200163	7

B

Balance Switch Bracket	
F601750	35
Base Weldment	
F633751	17
F633753	17
Basket Assembly	
F633619	15
Basket Pulley	
F150268	37
Basket Pulley Bushing	
F280294	37
Battery	
F191101	7
Battery Adapter Board	
F370529P	7
Bearing Sleeve	
F280293	17
Belt	
F280371	37
Bottom Front Panel	
F633565	13
Bracket	
F634261	23
Bridge Rectifier	
F370310	7
Bushing	
F280252	17
F280253	17

C

Cable Tie	
F140605	9, 37
Cap	
F190303	31
Chemical Supply Cup	
F150385	21
F150386	21
Circuit Board Support	
F432001	7
Circuit Breaker	
F350217	9

Clamp

F200201	29
F200204	33
F200207	29
F200213	21, 29, 31
F200215	7, 29
F200219	21, 31
F200222	27
F200415	31
38601	23

Clip

F601515	7
---------------	---

Coil

F380986	39
---------------	----

Connector

F140598	9
---------------	---

Contact Block and Mounting Switch

F340444	7, 19
---------------	-------

Contactorm

F330180	9
---------------	---

Contactorm Mounting Rail

F602595-4	9
-----------------	---

Control Module Box

F631579	7
---------------	---

Control Module Cover

F633795	7
---------------	---

Control Panel Decal

F0231390-00	13
F0231390-01	13
F0231413-00	13
F0231413-01	13
F0231584-00	13
F0231584-01	13

Control Panel Extrusion

F150479	13
---------------	----

Coupling

F422101	37
---------------	----

D

Decal

F230206	7, 11
F230630	9
F230677	9
F230739	5
F230745	11, 37
F230816	19
F230856	11
F230857	11
F230877	11
F230917-1	11
F231020	21
F231083	7
F231271	9
F231299	9
F231345-4	9
F231345-5	9
F231376-5	9
F231376-6	9
F231391	7
F231393	9
F231394	9

Din Connector F140609	27
Direct Steam Heat Kit F640242	39
Dispenser Assembly F150500	21
Dispenser Lid F150384	21
Door Gasket F170162	17
Door Glass Gasket F170115	17
Door Handle F150225	17
Door Lock Bracket Weldment F606540	19
Door Lock Cam F0150518-00.....	19
Door Lock Cover Weldment F606529	19
Door Retainer Spinning F320102	17
Door Support F633640	17
Door Support Cover F633792	17
Door Weldment F633650	17
Drain Hose F150411	29
F150442	29
Drain Valve F380628	29
F380629	29
F381727	29
Drain Valve Motor Cover F602761	29
Dual Fuseholder F0350312-10.....	9

E

Elbow F420500	23
F421106	39
F421706	27
F422900	29
Emergency Stop Pushbutton F340718	7
Emergency Stop Weldment F633750	7

F

Fan F110100	13
Filter F0270321-00.....	11
Filter Retainer Guard F220900	11
Flange Relay F330227	7

Follower Cam F100145	17
4-Way Valve F381724	23
Frame Weldment F633272	13, 15
Front Bearing Kit F798835-00	37
Front Top Cover F633602	13
Fuse F350108	7
F350109	7
F350110	7, 9
F350115	9
F350117	9

G

Gasket F170176	11
Gate Valve F380500	23
Glass F290210P	17
Grease Fitting F190701	37
Grease Manifold F320326	37
Ground Terminal Lug F140734	9

H

Hall Effect Sensor Switch F340503	19
Harness Assembly F140887	39
Hinge F190209	11
Hinge Pin F432306	17
Hinge Weldment F633663	17
Hose F150309	31
F150391	21
F150399	31
F200107	29
F200110	23
F200155	27
200185	25
Hose Barb F421929	29
F421930	23
F421952	27
Hose Clamp F200207	23
Hose Washer F200503	25

I

Injection Nozzle	
F380300	21
Inner Front Panel Gasket	
F170401	21
Input Power Block	
F140747	9

K

Key	
F160562	13
F430802	37
F608824-1	37

L

Latch	
F633713	13
Lid Lock	
F190802	13
Light	
F350411	7
Locknut	
F430215	15, 19, 21, 33, 39
F430231	7, 9, 11, 17, 19, 27, 31
F430232	13
F431024	11, 17, 23
F431036	17
Lockwasher	
F430305	15, 35, 37
F430321	15
F431100	15, 17, 21
F431106	19
F431113	7, 9, 39
F431139	17

M

Magnet	
F340502	17, 19
F340703	17
Magnetic Position Switch	
F340702	19
Membrane Switch	
F340608	7
F370576	7
Microcomputer	
F370313-13	7
Middle Front Panel	
F633564	13
Motor	
F220436	37
Motor Bushing	
F280242	37
Motor Pulley	
F280289	37
Muffin Fan	
F110106	11

N

Neutral Bus Bar Connector	
F140768	9
Nipple	
F420101	23
F420118	23
Nipple Inlet Weldment	
F0637212-00	27
F607515	27
F607532	27
F609279	27
Nut	
F430205	15, 35, 37
F430206	35
F430212	15
F430224	21
F430232	7
F431005	15
F431022	9, 39
F431026	17
F431047	17

O

O-Ring	
F170208	21
F170215	21
Output Board	
F370447	7
Overflow Plug	
F150352	29

P

Pin	
F431222	17
Pipe	
F602365-7	31
F610036	29
F610037	29
F610154	21
F610799	21
F610822	29
F610824	29
Pivot Lock Weldment	
F608536	17
Plate	
F633666	17
Plug	
F140563	13, 17
F170165	21
F190309	17
Plug Cap	
F190304	21
Pushbutton	
F340712	19

R

RC Network Filter	
F330217	9, 19
Rear Bearing Kit	
F745010	37
Rear Panel	
F633611	13
Rear Top Cover	
F633592	13
Reducer Bushing	
F421936	35
Ribbon Cable	
F140219	7
Rivet	
F430418	13

S

Screw	
F430109	15, 35
F430124	35
F430137	9
F430174	7, 13
F430179	11, 13
F430482	7
F430500	15
F430910	11
F430913	15
F430916	9, 37
F430921	19
F430923	17
F430924	15
F430925	11, 21, 33, 39
F430928	9, 17, 19, 27, 31, 39
F430929	13, 19
F430939	13, 23
F430948	23
F430956	21
F430986	13, 17
F430993	37
F432285	17
Seal	
F0100309-00	37
Shaft Seal Kit	
F798833-00	15
Shell Adjusting Bracket Assembly	
F603592	15
F603615	15
Shell Band Assembly	
F603630	15
Shell Band Fastener Kit	
F791001	15
Shell Band Gasket	
F170120	15
Shell Bracket Support	
F601951	15
Shell Front Weldment	
F633952	15
Shell Gasket Shield	
F601216	15
Shell Mounting Washer	
F601950	15

Shell Reinforcement Plate	
F601718	15
Shell Reinforcement Plate Assembly	
F604051	29
Shell Weldment	
F634647	15
Shim	
F607602	19
Side Panel	
F633566	13
F634190	13
Slinger	
F100205	15
Soap Dispenser Bracket	
F634189	21
Soap Injection Nozzle Kit	
F730168	21
Solenoid	
F300122	19
Solenoidl	
F300127	27
Spacer	
F401206	7
Spring	
F310107	19
F310133	19
Standoff	
F180501	7
Steam Filter	
F270308	39
Steam Hose	
F200183	39
Steam Inlet Flange Weldment	
F607660	39
Steam Tube Assembly	
F603132	39
Strain Relief Adapter Kit	
F749802	21
Strain Relief Connector	
F140329	11
F140331	9, 11
Supply Dispenser Hose	
F150493	23
Supply Dispenser Lid Gasket	
F170158	21
Switch	
F340900	35

T

Tee	
F420419	23
F422803	21, 29
Temperature Probe	
F370606	35
Terminal	
F140766	19
F140768	7
Terminal Strip	
F140766	9
Thermostat	
F290115	9

Tie Wrap Mounting Clamp	
F140602	9
Top Cover Hinge Weldment	
F633958	13
Top Frame Weldment	
F633562	13
Top Front Panel	
F633563	13
Transformer	
F360124	9
Trim	
F170400	13
F230816	19
Tubing	
F150390	21
F200190	37
F609401	29

U

Union	
F150412	21

V

Vacuum Breaker Weldment	
F633606	31
Valve	
F380788	39
F381727	27
Valve Panel	
F633581	9, 11, 13
Valve Repair Kit	
F0381007	27
Vent Assembly	
F634256	33
Vent Flex Hose	
F200170	33
Vent Nipple	
F422517	33

W

Washer	
F430300	37
F430301	15, 35, 37
F430311	7
F430317	15
F431112	15
F431116	15
F431142	17
F431143	17
F431147	21, 23
F431907	17
F431933	17
F431934	17
Water Level Switch Bracket	
F630242	39
Water Pressure Switch	
F340318	7
F340443	39

Wire	
F140161	9
Wiring Harness	
F140249	7

Y

Y-Connector	
F422808	23

