

# Drying Tumblers

110 Pound Capacity

Refer to Page 3 for Model Numbers

Parts





# Table of Contents

Title	Page
Parts Ordering Information .....	2
Nameplate Location .....	2
Model Identification .....	3
Single Timer Control .....	4
Dual Timer Controls .....	6
Temperature Controls .....	8
Access and Lint Panels .....	10
Front Panel .....	12
Door Assembly .....	14
Lint Screen and Drive Guard .....	16
Drive Sheave, Step Pulley, and Belts .....	18
Trunnion Bearings .....	20
Cylinder Drive Motor .....	22
60 Hertz Fan and Motor Assembly .....	24
50 Hertz Fan and Motor Assembly .....	26
Cylinder and Trunnion Shaft .....	28
Gas Valve and Piping .....	30
Gas Burner and Igniter .....	32
Steam Heating Unit.....	34
Reversing Controls .....	36
Airflow Switch Assembly.....	38
Parts Index.....	41

© Copyright 2001, Alliance Laundry Systems LLC

All rights reserved. No part of the contents of this book may be reproduced or transmitted in any form or by any means without the expressed written consent of the publisher.

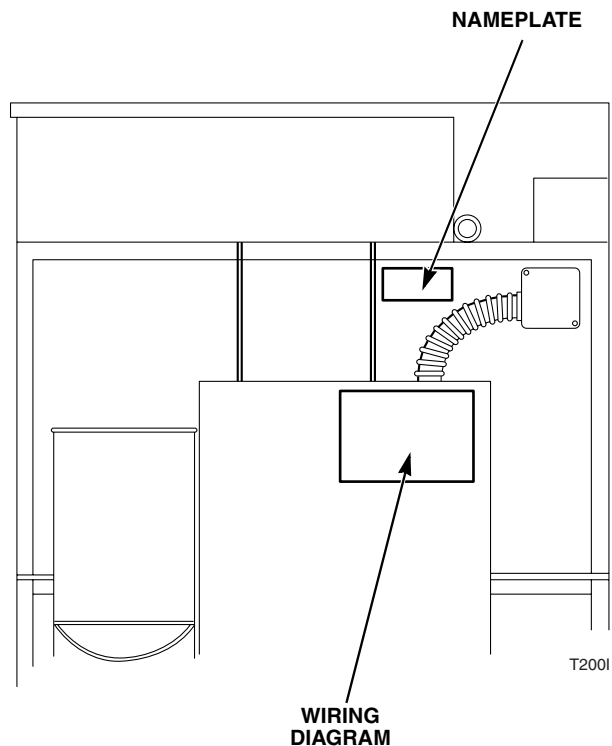
## Parts Ordering Information

If literature or replacement parts are required, contact the source from whom the machine was purchased or contact Alliance Laundry Systems LLC at (920) 748-3950 for the name and address of the nearest authorized parts distributor.

For technical assistance, call (920) 748-3121.

## Nameplate Location

When calling or writing about your product, be sure to mention model and serial numbers. Model and serial numbers are located on nameplate(s) as shown.

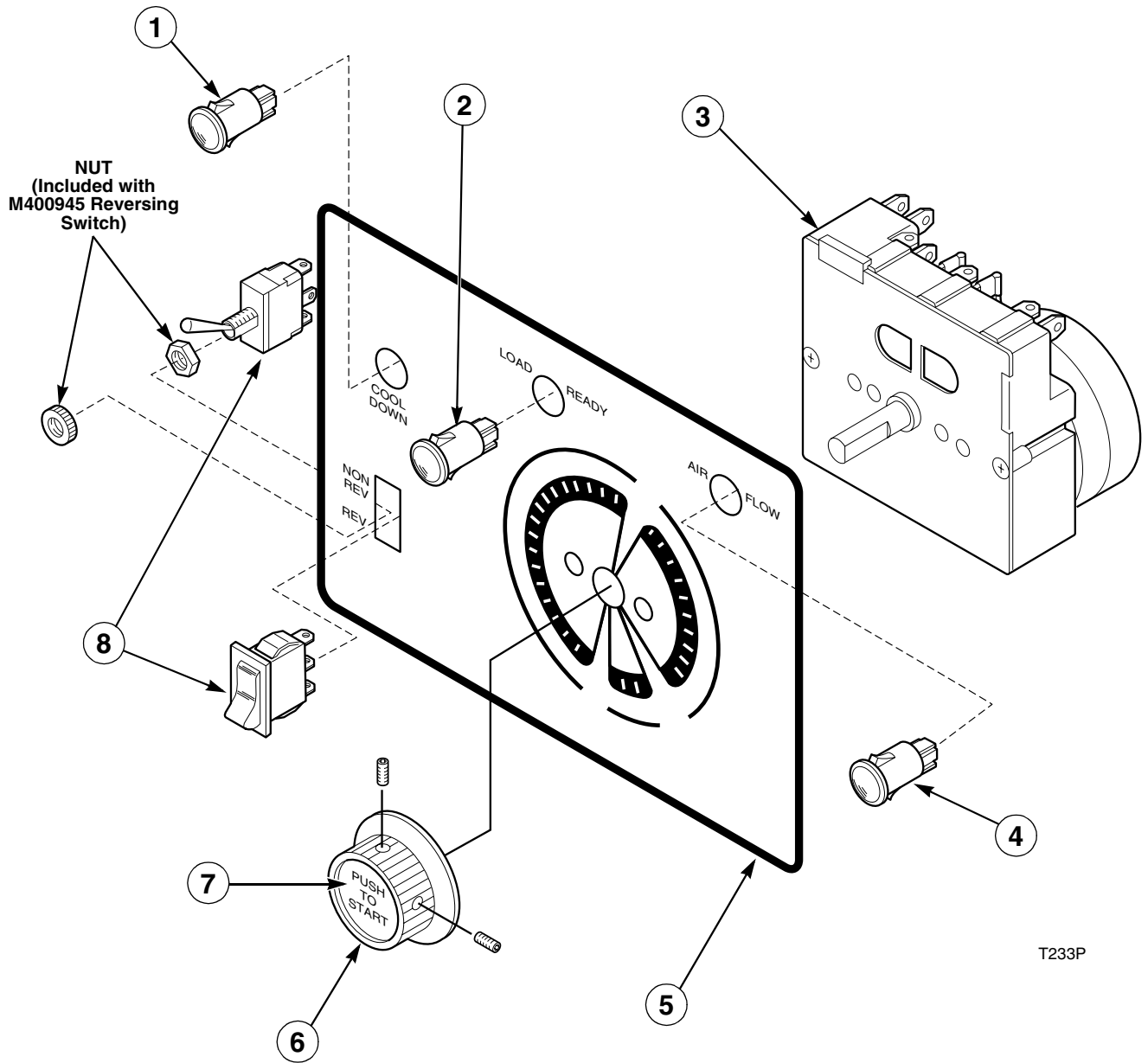


## Model Identification

Information in this manual is applicable to these tumblers:

JT110CG	JTD110CG	ST110CG	STD110CG
JT110CSH	JTD110CSH	ST110CSH	STD110CSH
JT110GH4	JTS110CG	ST110GH4	STS110CG
JT110SH5	JTS110CSH	ST110SH5	STS110CSH

# Single Timer Control



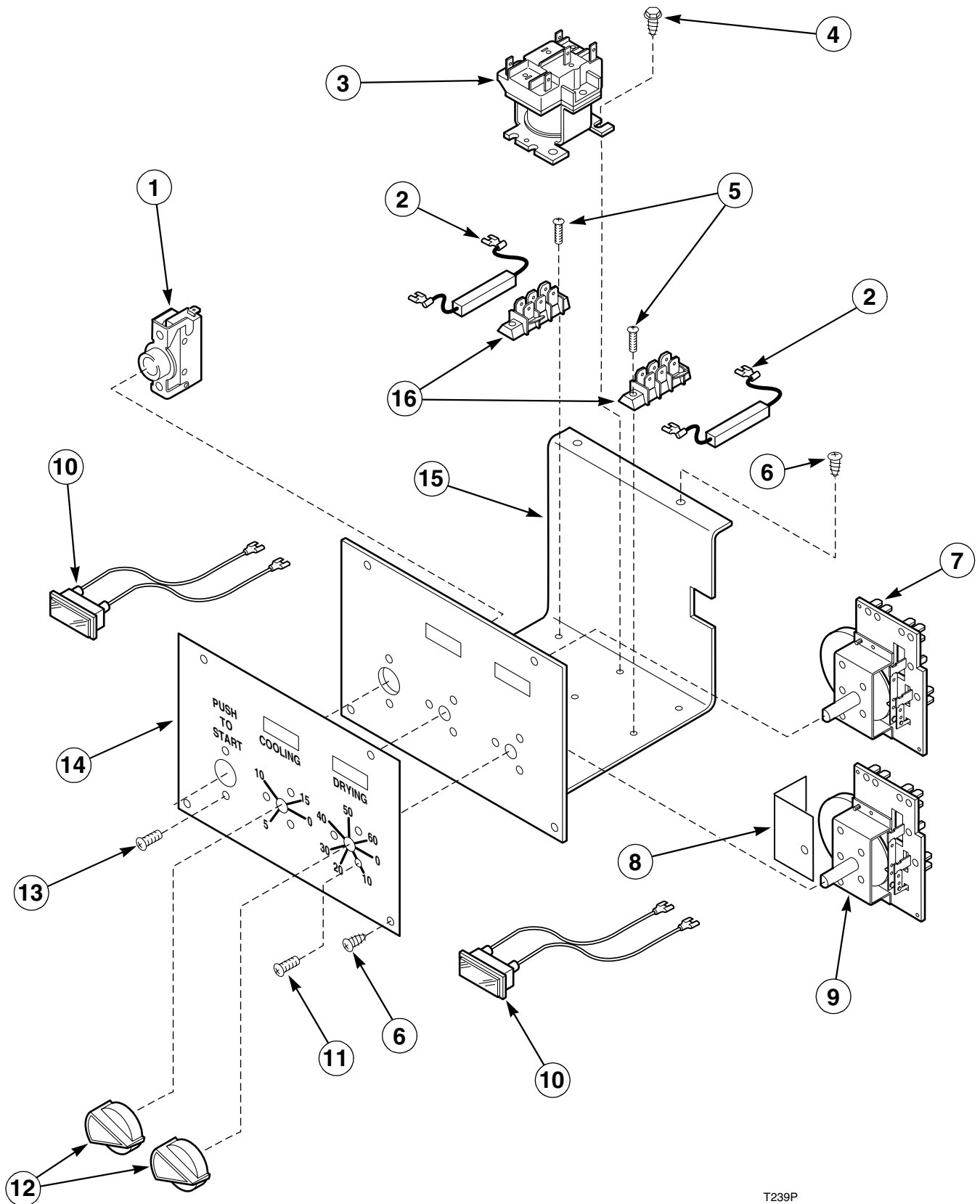
T233P

# Single Timer Control

REF	PART NO.	DESCRIPTION	COMMENTS
1	N/A	Light	Cool Down
2	N/A	Light	Ready
3	N/A	Timer	Three Cycle; 50 Hertz
	H96402318	Timer	Three Cycle; 60 Hertz
4	N/A	Light	Air Flow
5	N/A	Label	Timer
6	H83901157	Timer Knob	
7	N/A	Label	Push-to-Start
8	M400945	Reversing Switch	Toggle
	M413270	Reversing Switch	Rocker

**N/A = Part no longer available**

# Dual Timer Controls



T239P

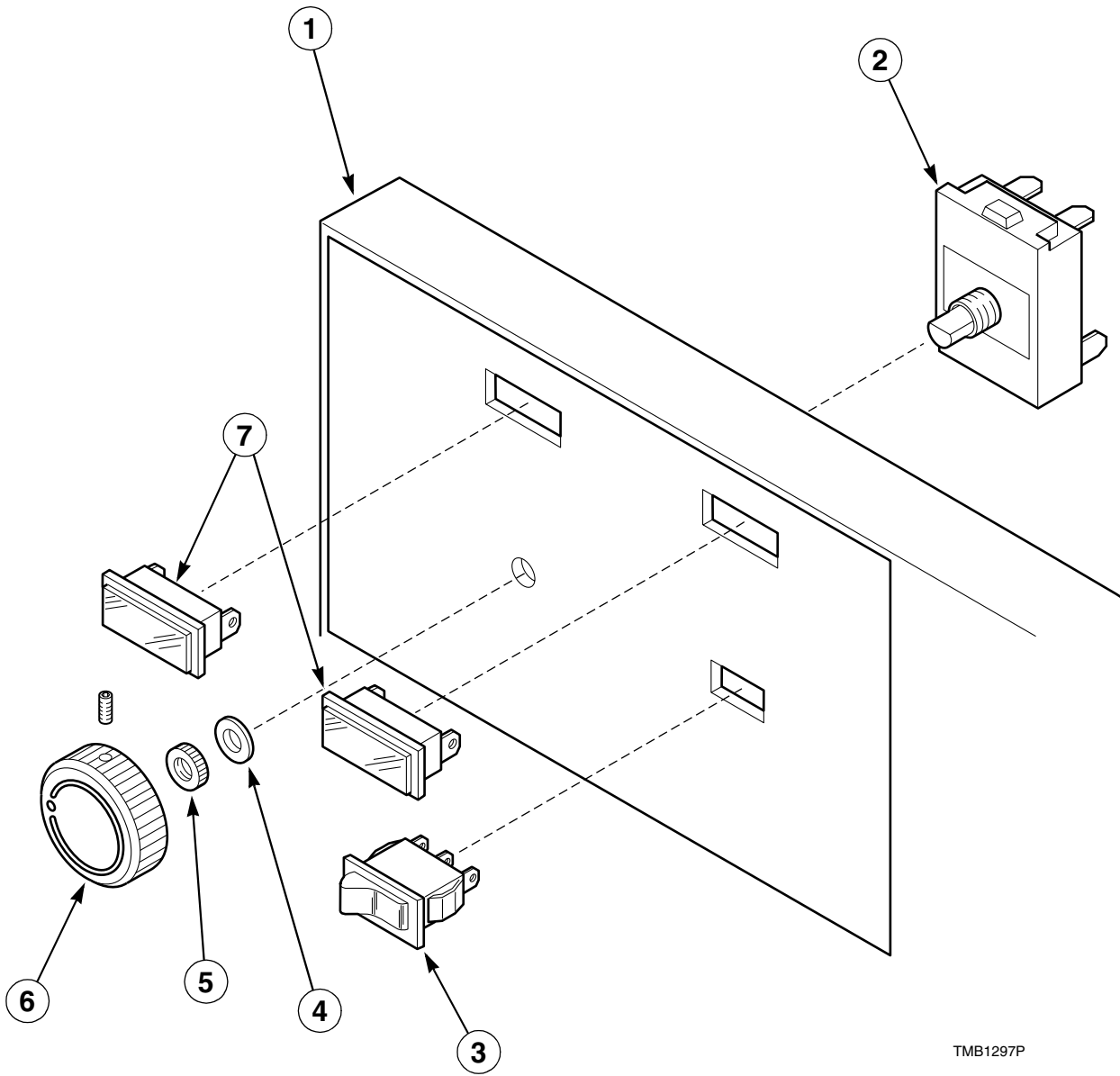


## Dual Timer Controls

REF	PART NO.	DESCRIPTION	COMMENTS
1	M400954	Switch	Push-to-Start
2	M410992	Resistor	
3	M400908	Relay	
4	51780	Screw	
5	M400071	Screw	
6	M400664	Screw	
7	M410903P	Cooling Timer	60 minute; 50 Hertz
	M410901P	Cooling Timer	60 minute; 60 Hertz
8	M406144	Insulator	
9	M410902P	Drying Timer	15 minute; 50 Hertz
	M410900P	Drying Timer	15 minute; 60 Hertz
10	M400704	Light	
11	M411052	Screw	
12	M400773	Timer Knob	Black with silver arrow
	M410927	Timer Knob	Black with silver dot
13	M400072	Screw	
14	M410266	Timer Graphic Plate	Silver; All models
	M410264	Timer Graphic Plate	Black; Use on models beginning with ST
	M410869	Timer Graphic Plate	Cocoa; Use on models beginning with JT
15	M410274	Timer Panel Box	
16	N/A	Terminal Bracket	

**N/A = Part no longer available**

# Temperature Controls



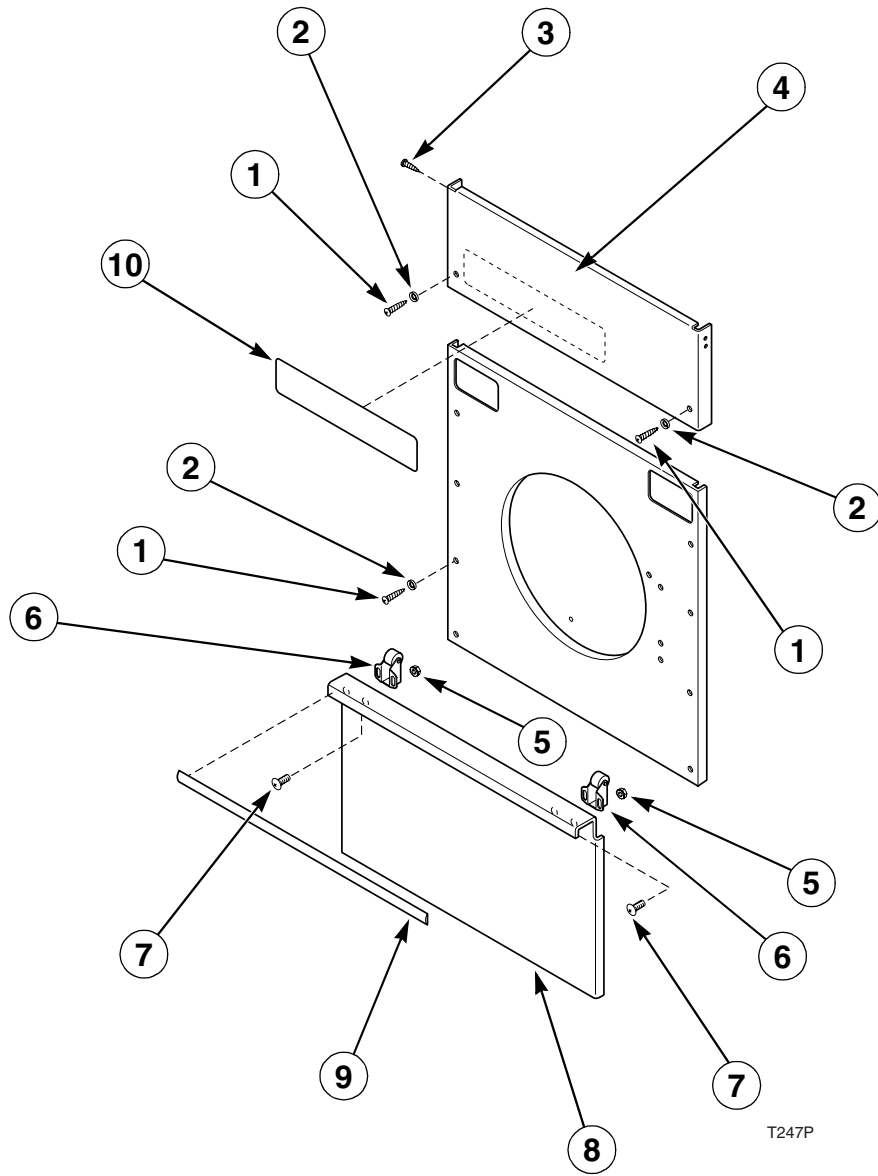
TMB1297P

# Temperature Controls

REF	PART NO.	DESCRIPTION	COMMENTS
1	N/A	Graphic Panel	Nonreversing models; Silver; Use on models beginning with JT
	M410267	Graphic Plate	Reversing; Silver; Use on models beginning with JT
	M410869	Graphic Plate	Reversing; Cocoa; Use on models beginning with JT
	M410265	Graphic Plate	Reversing; Black; Use on models beginning with ST
	M410329	Graphic Plate	Nonreversing; Black; Use on models beginning with ST
2	27762	Temperature Switch	
3	M413270	Reversing/Nonreversing Switch	
4	91176	Lockwasher	
5	24205	Knurled Nut	
6	M400777	Temperature Knob	Black with silver arrow
	M410929	Temperature Knob	Black with white dot
7	M400704	Light	

**N/A = Part no longer available**

# Access and Lint Panels



## Access and Lint Panels

REF	PART NO.	DESCRIPTION	COMMENTS
1	H88213707	Screw	
2	H88569108	Nylon Washer	
3	M401902	Screw	
4	N/A	Top Access Panel	Gas models; Painted
	N/A	Top Access Panel	Gas models; Stainless Steel
	N/A	Top Access Panel	Steam models; Painted
	N/A	Top Access Panel	Steam models; Stainless Steel
5	23951	Nut	
6	H87020202	Roller Catch	
7	M400044	Screw	
8	H96428511L	Lint Panel	Painted; Only available in Almond
	N/A	Lint Panel	Stainless Steel
9	H81224511P	Rubber Trim	
10	M410355	Nameplate	Black; Use on models beginning with ST and JT
	N/A	Nameplate	Silver; Use on models beginning with ST
	N/A	Nameplate	Silver; Use on models beginning with JT

**N/A = Part no longer available**



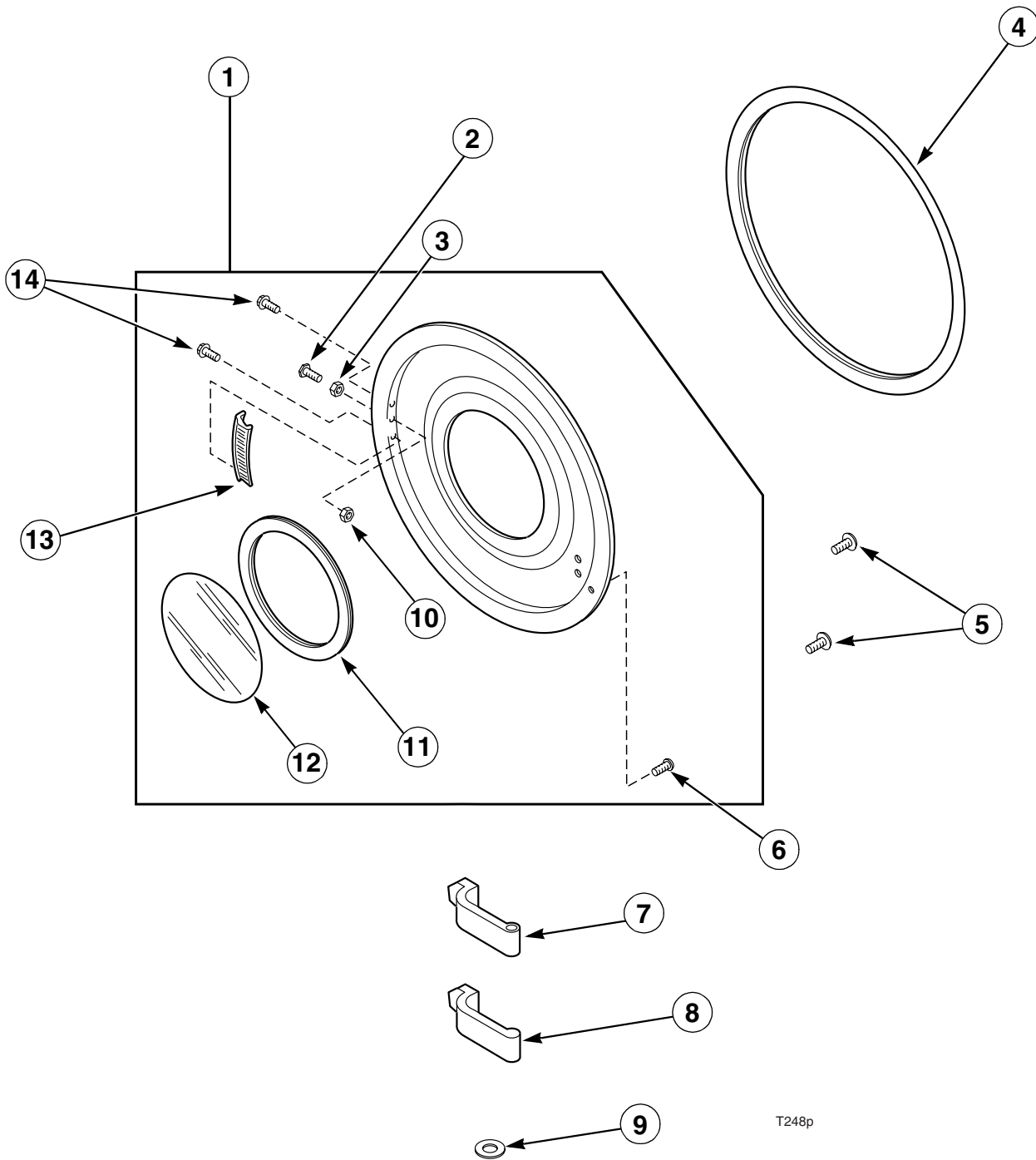
# Front Panel

REF	PART NO.	DESCRIPTION	COMMENTS
	N/A	Wire Set	For door switch; Not shown
1	M410268*	Front Panel	Use on models ending in CG and CSH; Painted; Available in Almond, White, Battina Green, Harvest Gold and Electric Blue only
	N/A	Front Panel	Use on models ending in CG and CSH; Stainless Steel
	N/A	Front Panel	Use on models ending in GH4 and SH4; Painted
2	M410291	Control Trim	
3	M410892	Warning Label	
4	N/A	Insulation	
5	H96418728	Insulator	
6	H96422241	Door Switch	
7	51345	Lockwasher	
8	70072901	Nut	
9	M410029	Hinge Pin	
10	M410041	Upper Panel Hinge	
11	H88129788	Screw	
12	M410042	Lower Panel Hinge	
13	M409312	Warning Label	
14	M409976	Actuator	
15	M400072	Screw	
16	M401223	Door Catch	
17	H88110267	Screw	
18	H88213707	Screw	
19	H88569108	Nylon Washer	

\* Add letter to designate color:    **L - Almond**        **W - White**        **V - Orange**        **K - Red**  
    **B - Battina Green**    **H - Harvest Gold**    **X - Electric Blue**    **P - Turquoise**

N/A = Part no longer available

# Door Assembly



T248p

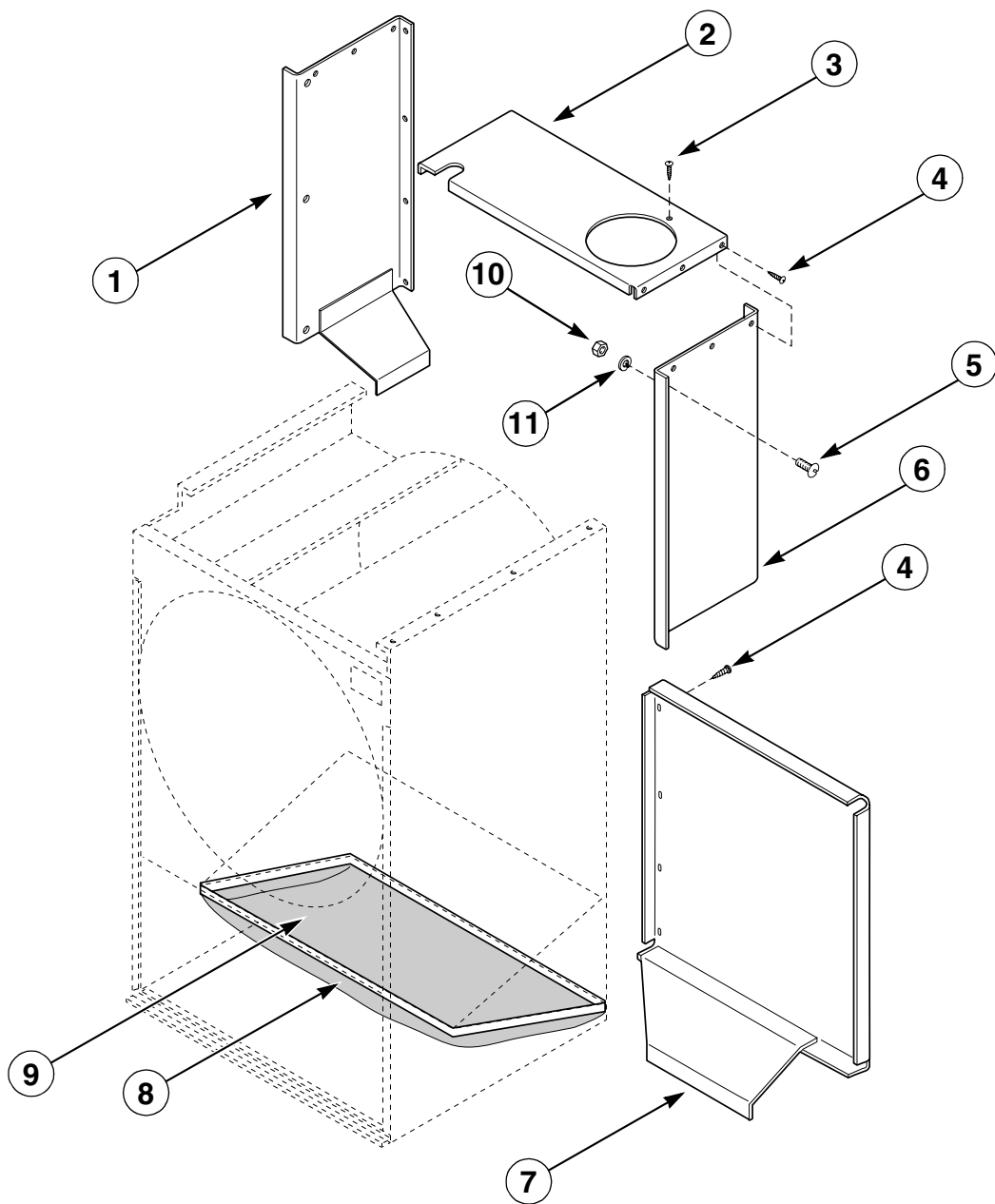


# Door Assembly

REF	PART NO.	DESCRIPTION	COMMENTS
1	M410289*	Door Assembly	Painted; Includes items 1, 2, 10, 11, 12, 13 and 14
	M410290	Door Assembly	Stainless Steel
2	M400661	Door Strike Screw	
3	Q6163	Nut	
4	H96409156	Door Gasket	Not included with door assembly
5	H88129648	Hinge Mounting Screw	Not included with door assembly
6	M400044	Hinge Mounting Screw	Not included with door assembly
7	M410031	Upper Door Hinge	Not included with door assembly; Use on models beginning with JT only
	M410701	Upper Door Hinge	
8	M410030	Lower Door Hinge	Not included with door assembly
	M410702	Lower Door Hinge	
9	M400671	Washer	Not included with door assembly
10	70054	Nut	
11	M409900	Door Glass Seal	
12	M409899	Door Glass	
13	M400133	Door Handle	
14	M409385	Screw	

\* Add letter to designate color:    L - Almond            W - White            V - Orange            K - Red  
     B - Battina Green    H - Harvest Gold    X - Electric Blue    P - Turquoise

# Lint Screen and Drive Guard



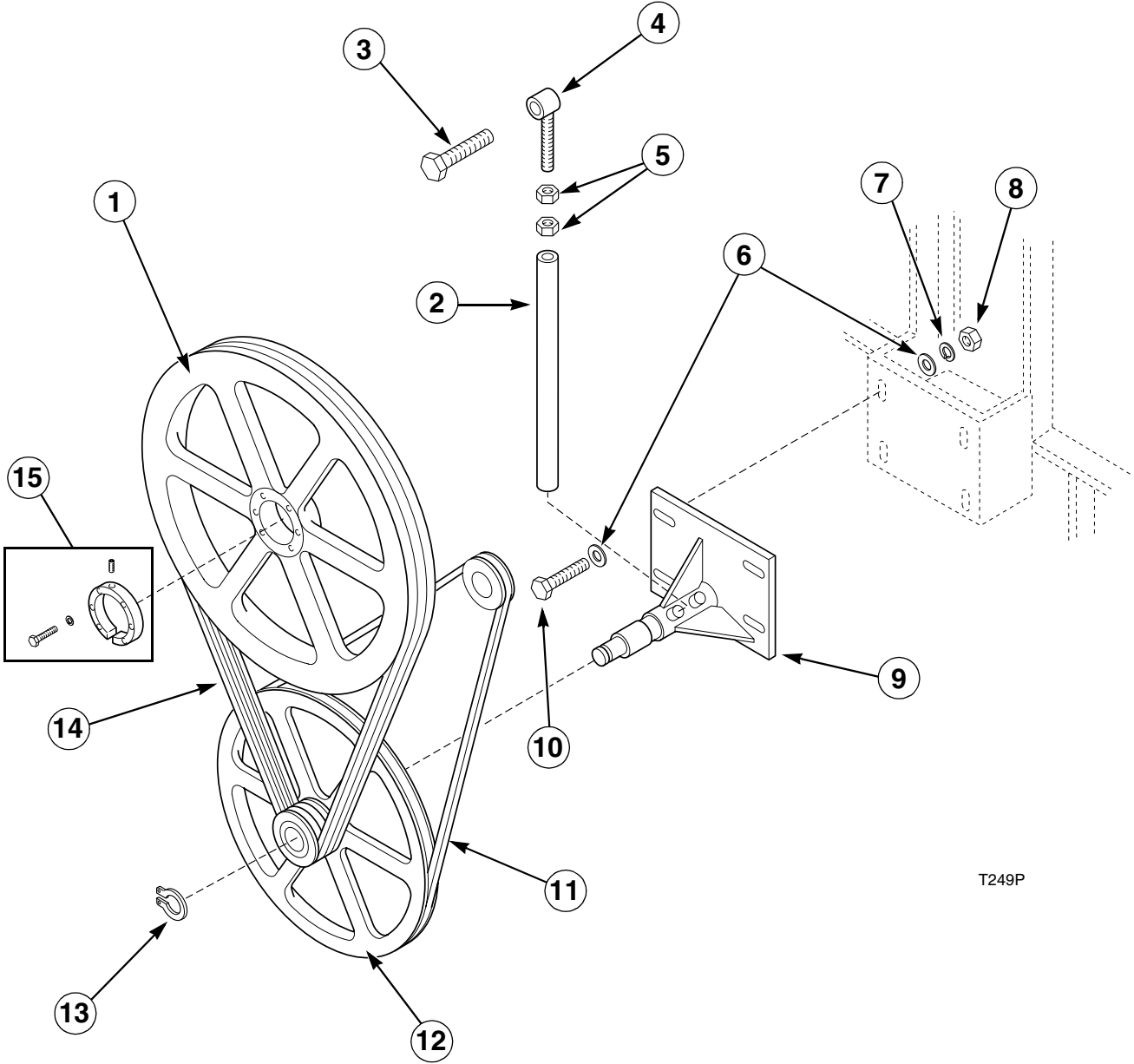
T245P

## Lint Screen and Drive Guard

REF	PART NO.	DESCRIPTION	COMMENTS
1	N/A	Drive Guard Side	Left
2	N/A	Drive Guard Top	
3	M405188	Screw	
4	M401902	Screw	
5	H88111703	Screw	
6	N/A	Drive Guard Side	Right
7	N/A	Drive Guard Cover	
8	H96362025	Lint Screen Frame	Use on models ending in CG and CSH
	N/A	Lint Screen Frame	Use on models ending in GH4 and SH4
9	H96367016	Lint Screen	Use on models ending in CG and CSH
	N/A	Lint Screen	Use on models ending in GH4 and SH4
10	20274	Nut	
11	M400014	Washer	

**N/A = Part no longer available**

# Drive Sheave, Step Pulley, and Belts

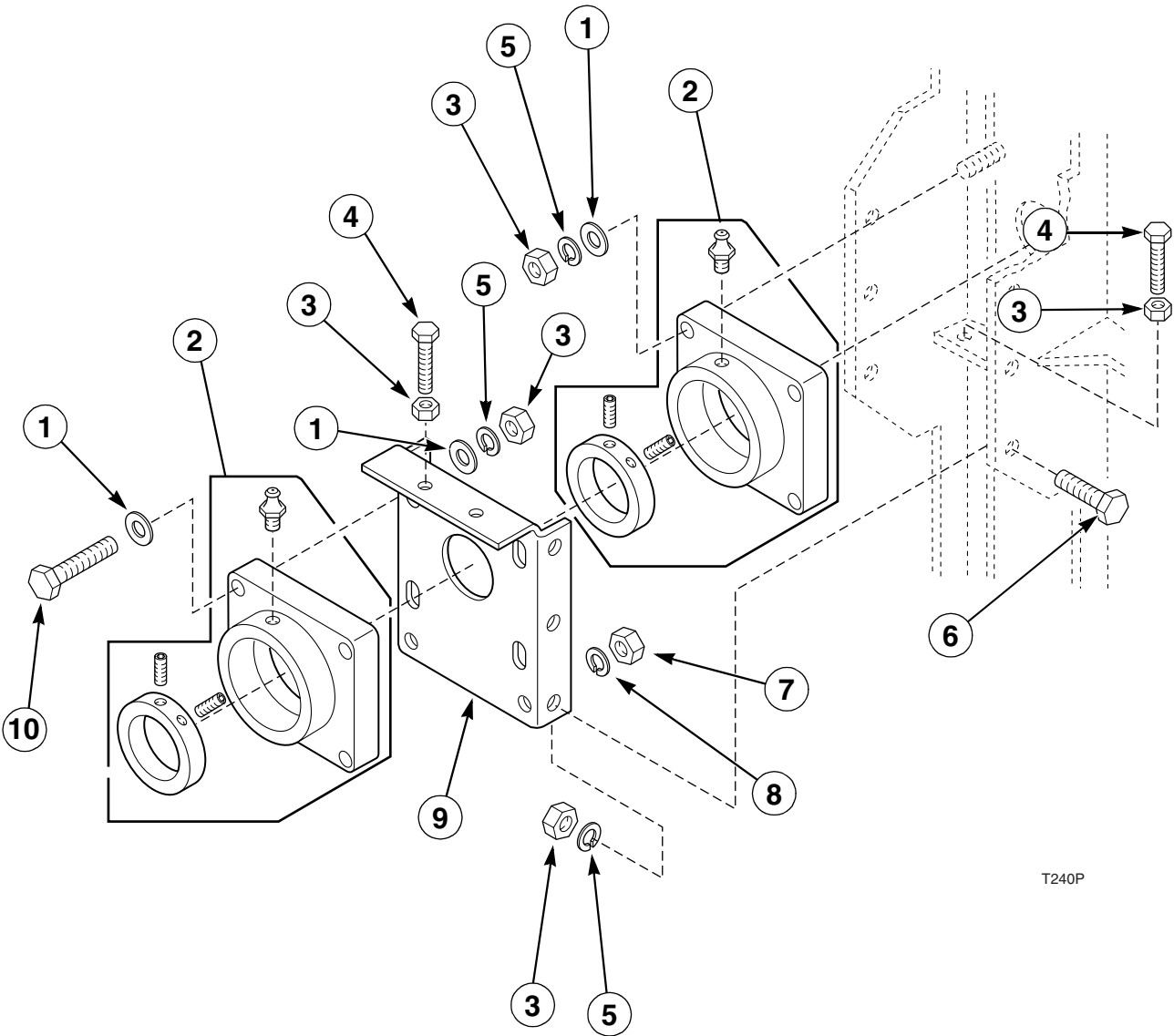


T249P

## Drive Sheave, Step Pulley, and Belts

REF	PART NO.	DESCRIPTION	COMMENTS
	M4718P3	Step Pulley Bearings	Outer; Not shown; Used on center circle of step pulley
	H87672374	Step Pulley Bearings	Inner; Not shown; Used on center circle of step pulley
	H88603477	Retainer Ring	2 Required
<b>1</b>	H8752251H	Sheave	
<b>2</b>	H96428479	Tube	
<b>3</b>	H88001565	Bolt	
<b>4</b>	M411337	Eye Bolt	
<b>5</b>	M404993	Nut	
<b>6</b>	M400080	Washer	
<b>7</b>	M400014	Lockwasher	
<b>8</b>	20274	Nut	
<b>9</b>	H96357751	Jackshaft Assembly	
<b>10</b>	M400043	Screw	
<b>11</b>	H87533014	Belt	
<b>12</b>	H96428024	Step Pulley	
<b>13</b>	H88602263	Retainer Ring	
<b>14</b>	H87533816P	Belt	Set of 3
<b>15</b>	H8752985H	Bushing	

# Trunnion Bearings

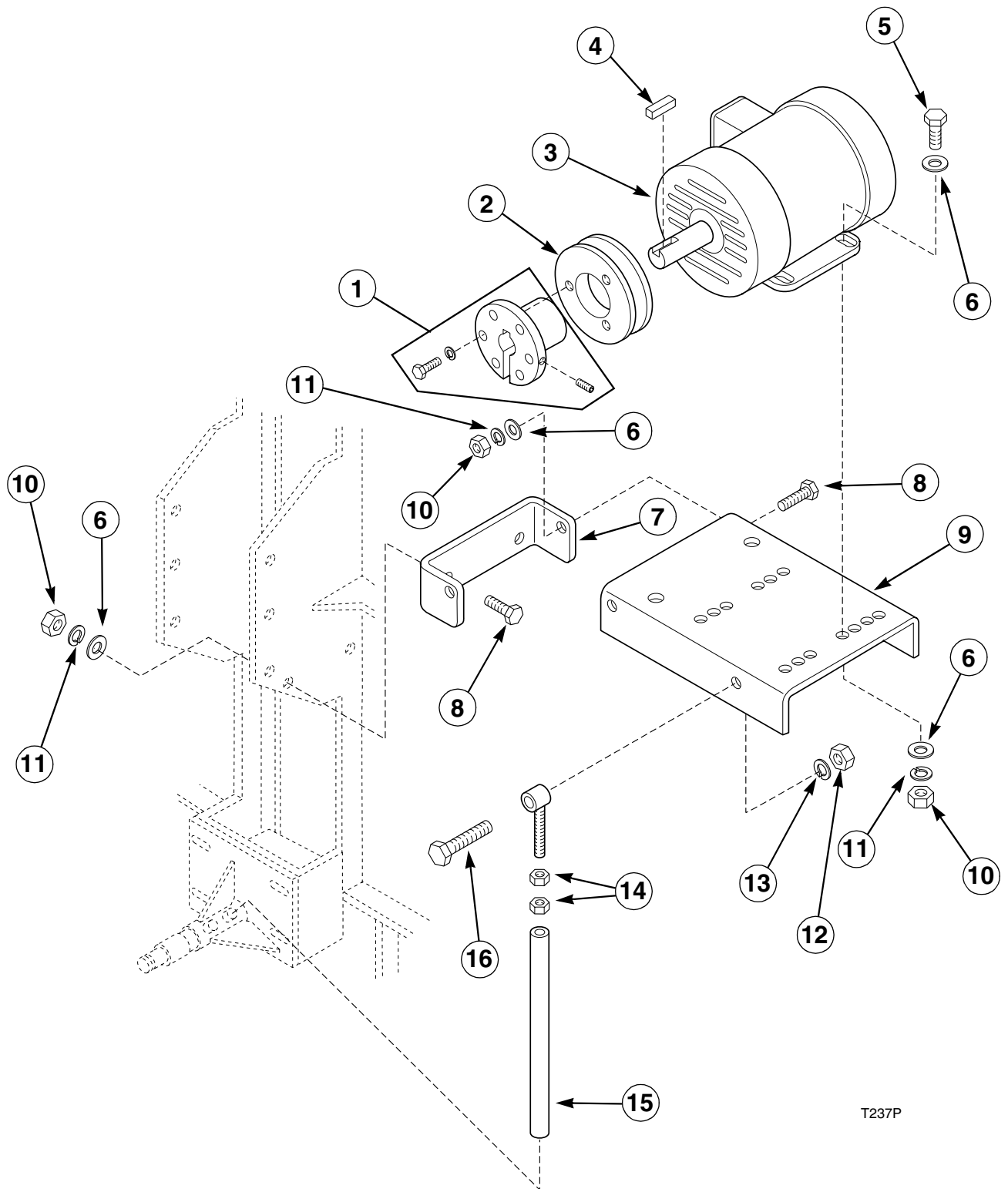


T240P

# Trunnion Bearings

REF	PART NO.	DESCRIPTION	COMMENTS
1	M400081	Washer	
2	H87625430	Trunnion Bearing	
3	20274	Nut	
4	H88213996	Screw	
5	M400014	Lockwasher	
6	H88111703	Screw	
7	H88412093	Nut	
8	H88511118	Lockwasher	
9	H96428008	Mounting Bracket	
10	22688	Screw	

# Cylinder Drive Motor



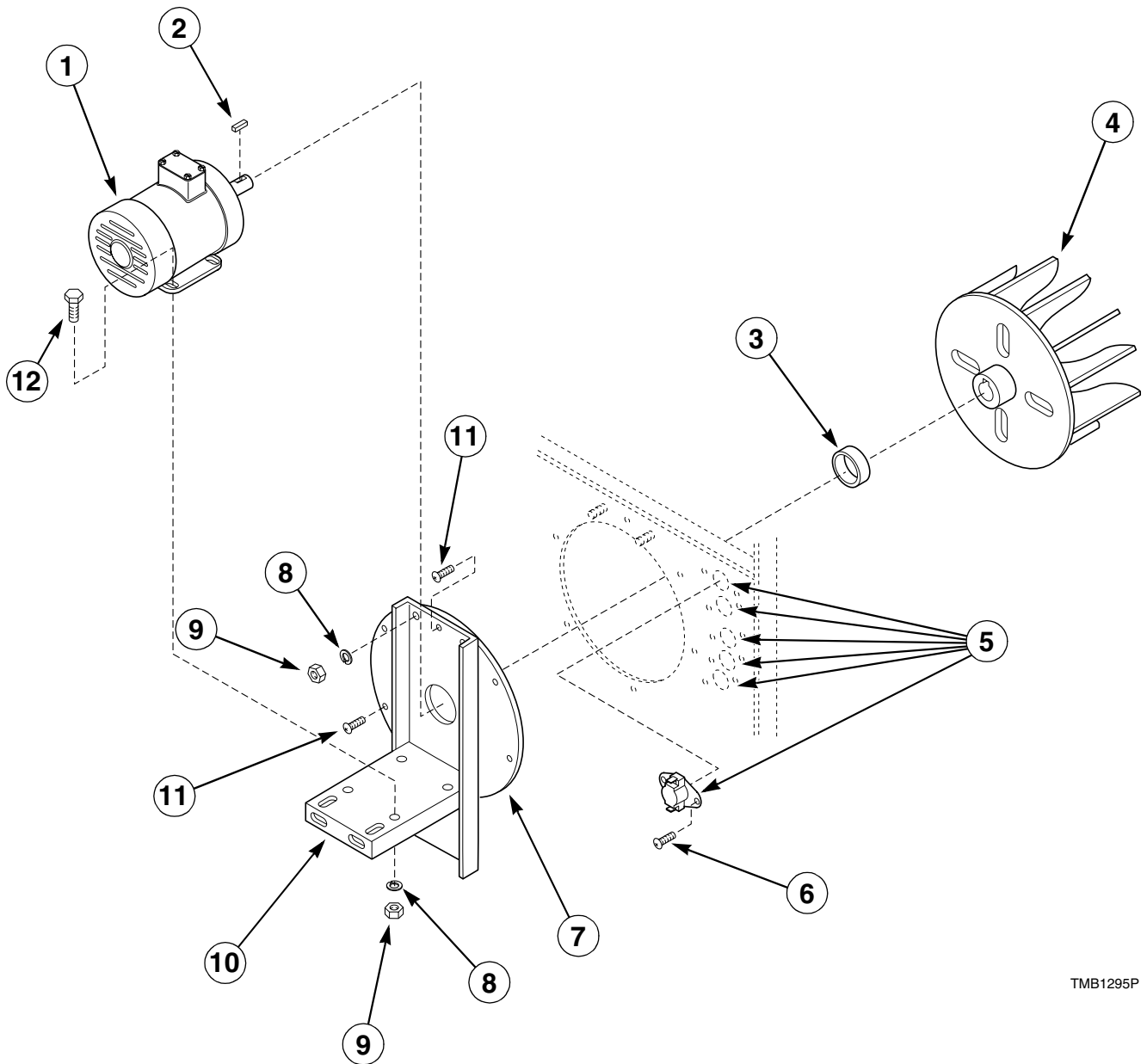
T237P



# Cylinder Drive Motor

REF	PART NO.	DESCRIPTION	COMMENTS
1	H87529129	Taper Bushing	60 Hertz
	H87529111	Taper Bushing	50 Hertz
2	H87520466	Drive Sheave	60 Hertz
	H87520334	Drive Sheave	50 Hertz
3	H8371044H	Cylinder Drive Motor	208-240/480 Volt; 60 Hertz; 3 Phase
	H8371047HP	Cylinder Drive Motor	220-380/415 Volt; 50 Hertz; 3 Phase
4	H8752006H	Key	
5	M400043	Screw	
6	M400080	Washer	
7	H96428693	Bracket	
8	22688	Screw	
9	M413171	Motor Base	
10	20274	Nut	
11	M400014	Lockwasher	
12	H88412093	Nut	
13	H88511118	Lockwasher	
14	M404993	Nut	
15	H96428479	Tube	
16	H88001565	Screw	

# 60 Hertz Fan and Motor Assembly



TMB1295P

## 60 Hertz Fan and Motor Assembly

REF	PART NO.	DESCRIPTION	COMMENTS
	H87520284	Motor Sheave	Nonreversing only
	H87529111	Hub for Motor Sheave	Nonreversing only
<b>1</b>	N/A	Motor	208-230/460 Volt; 60 Hertz; 3 Phase; Nonreversing; 2 Horsepower
	M410860P	Motor	208-230/460 Volt; 60 Hertz; 3 Phase; Reversing; 1 Horsepower
<b>2</b>	H8752006H	Key	
<b>3</b>	H87529160	Bushing	For fan; Nonreversing
	H87529111	Bushing	For fan; Reversing
<b>4</b>	M414546	Fan	
<b>5</b>	H8900531H	Thermostats	High
	H89005227	Thermostats	High limit
	H89005235	Thermostats	Medium
	H89005243	Thermostats	Low
	H8900530H	Thermostats	Load ready
<b>6</b>	H88214515	Screw	
<b>7</b>	H96358007	Fan Cover	
<b>8</b>	M400013	Lockwasher	
<b>9</b>	70142	Nut	
<b>10</b>	H608P3	Motor Bracket	
<b>11</b>	M400056	Screw	
<b>12</b>	27202	Screw	

**N/A = Part no longer available**

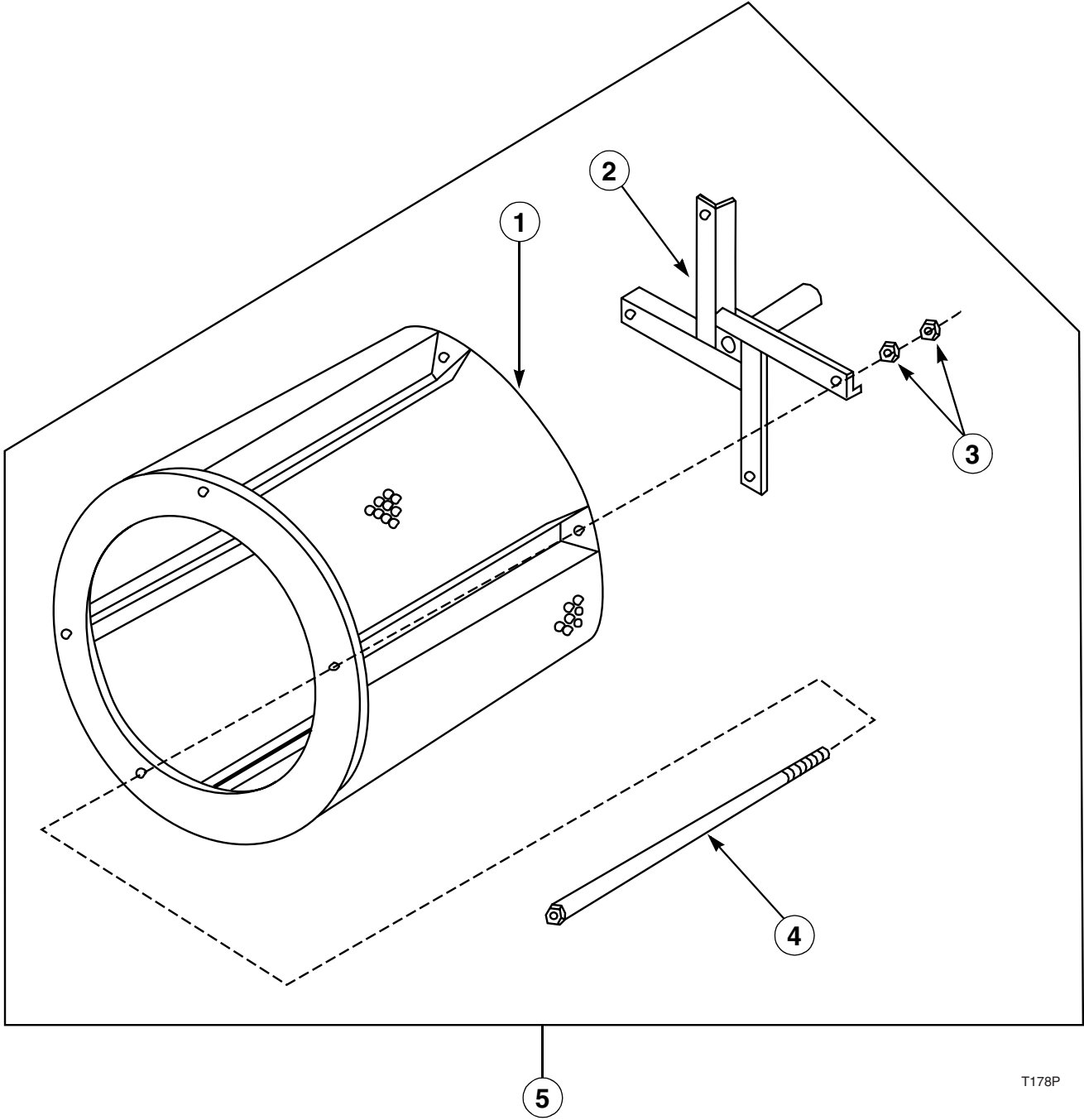


## 50 Hertz Fan and Motor Assembly

REF	PART NO.	DESCRIPTION	COMMENTS
1	H87520334	Sheave	
2	N/A	Fan Motor	220-380/415 Volt; 50 Hertz; 3 Phase
3	M413171	Motor Base	
4	H96428693	Bracket	
5	M412917	Bushing	
6	M409967	Damper and Hinge	
7	M414546	Fan	
8	H8900531H	Thermostat	High
	H89005227	Thermostat	High limit
	H89005235	Thermostat	Medium
	H89005243	Thermostat	Low
	H8900530H	Thermostat	Load ready
9	H96358007	Cover	
10	H8768302H	Flangette	Not shown; 2 required
11	H8768212H	Bearing Insert	
12	H608P3	Blower Base	
13	H8762002H	Pillow Block Bearing	
14	H96428479	Tube	
15	H8752006H	Key	
16	H87520284	Sheave	
17	M412000	Fan Shaft	
18	H8753170H	Belt	
19	M411337	Eye Bolt	
20	H87529111	Bushing	

**N/A = Part no longer available**

# Cylinder and Trunnion Shaft

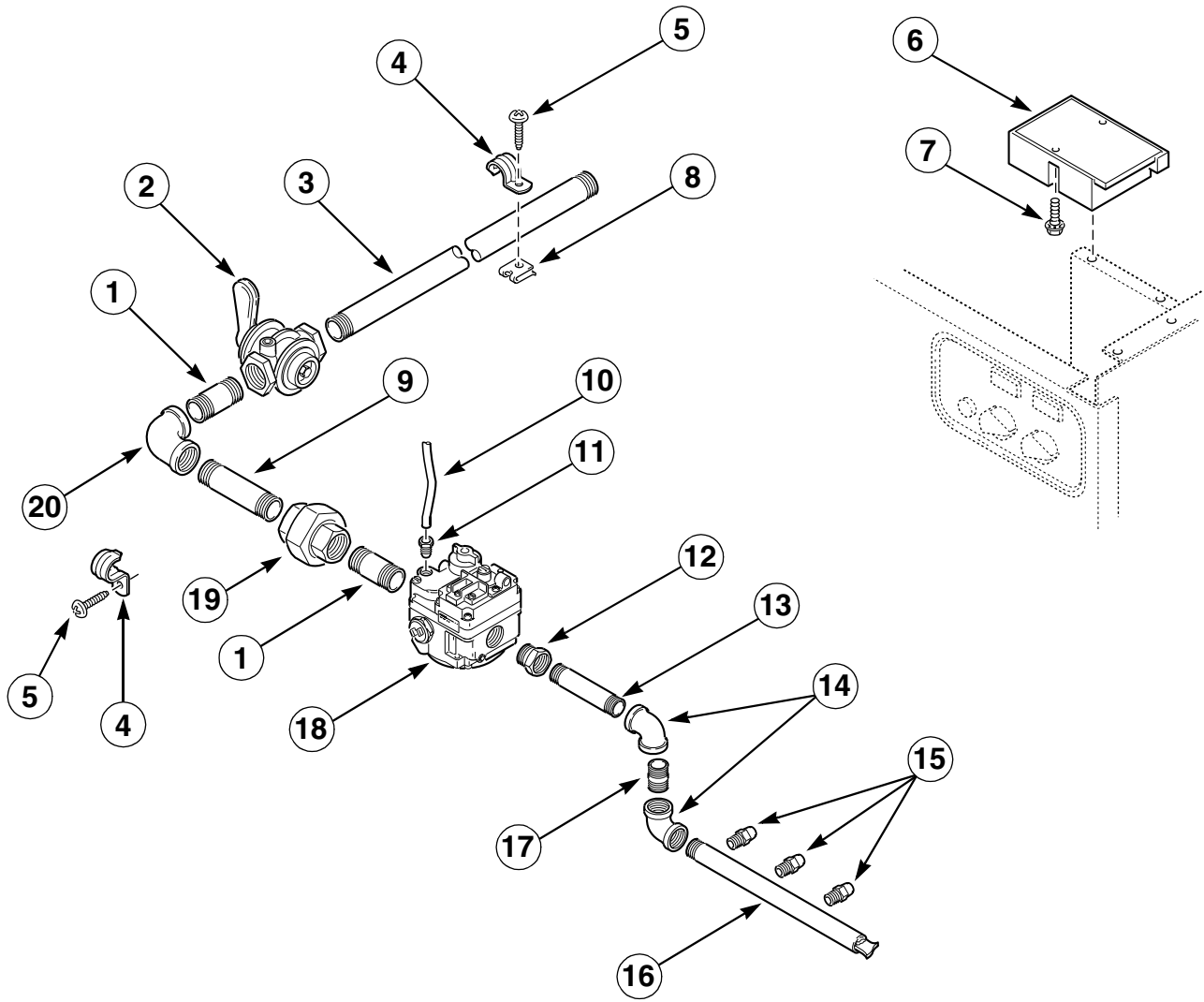


T178P

## Cylinder and Trunnion Shaft

REF	PART NO.	DESCRIPTION	COMMENTS
1	H96427513	Cylinder	Galvanized
	M409788	Cylinder	Stainless Steel
	M409659	Cylinder	Poly coated
2	H96357744	Trunnion Assembly	
3	M404993	Nut	
4	H88301411	Rib Rod	
5	H96420013	Cylinder and Shaft Assembly	Galvanized
	M409789	Cylinder and Shaft Assembly	Stainless Steel
	M409708	Cylinder and Shaft Assembly	Poly coated

# Gas Valve and Piping



T250P

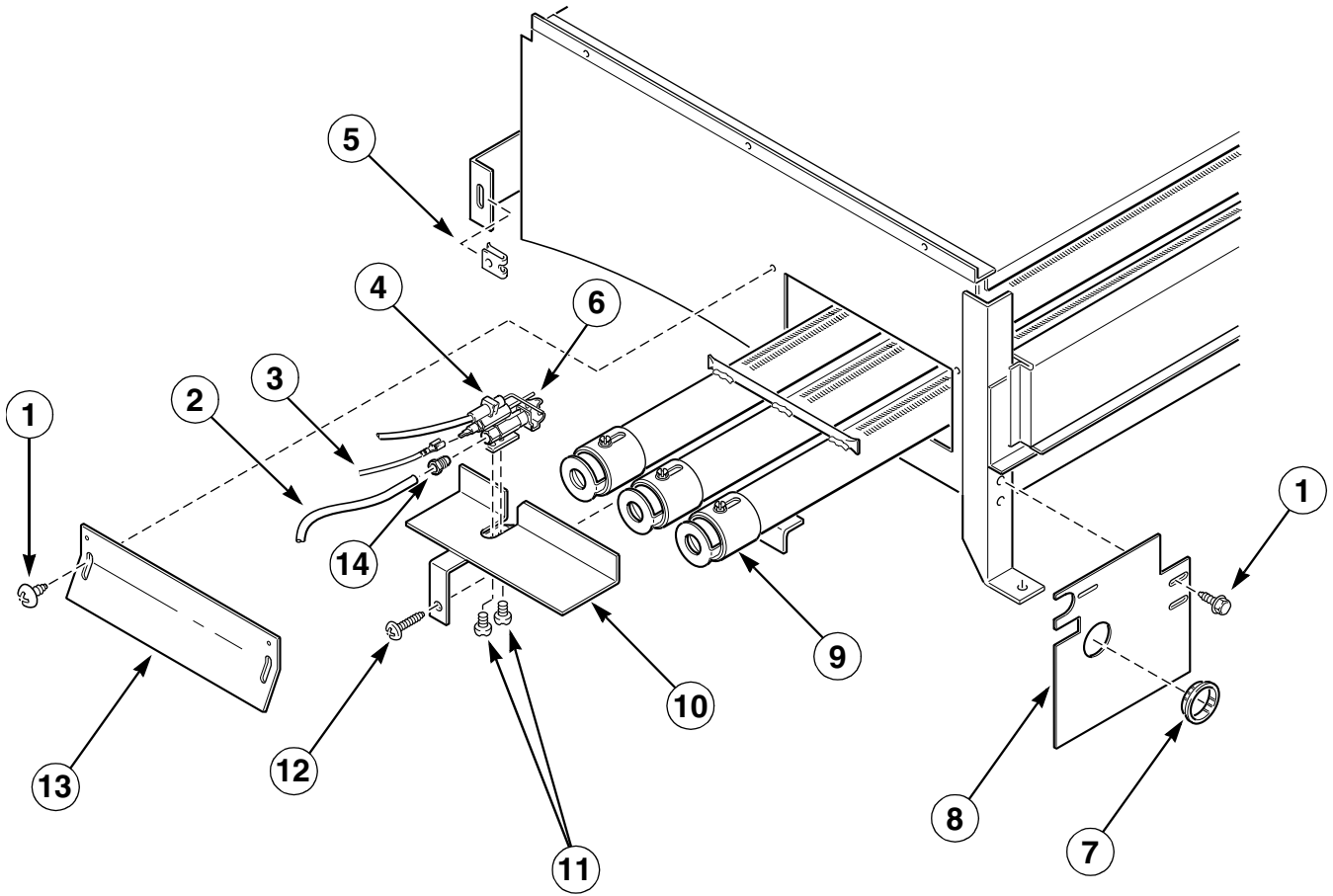


## Gas Valve and Piping

REF	PART NO.	DESCRIPTION	COMMENTS
1	M411418	Nipple	
2	M413016	Shut-off Valve	
3	M411265	Inlet Pipe	
4	M411614	Clamp	
5	N/A	Screw	
6	H8900657H	Ignition Control	Natural Gas
	M414316	Ignition Control	L.P. (Liquefied Petroleum) Gas
7	51778	Screw	
8	H8841927H	Speed Nut	
9	N/A	Nipple	
10	N/A	Pilot Tube	
11	JT-149-3	Tubing Nut	
12	N/A	Bushing	
13	N/A	Nipple	
14	N/A	Elbow	
15	H8900083H	Burner Orifice	Natural Gas; (0 – 2000 feet) No. 7
	N/A	Burner Orifice	Natural Gas; (2001 – 4000 feet) No. 10
	N/A	Burner Orifice	Natural Gas; (4001 – 6000 feet) No. 12
	M410999	Burner Orifice	Natural Gas; (6001 – 8000 feet) No. 15
	N/A	Burner Orifice	L.P. Gas; (0 – 1999 feet) No. 31
16	N/A	Manifold Pipe	
17	N/A	Nipple	
18	H8526918H	Gas Valve	
19	M411419	Union	
20	N/A	Elbow	

**N/A = Part no longer available**

# Gas Burner and Igniter



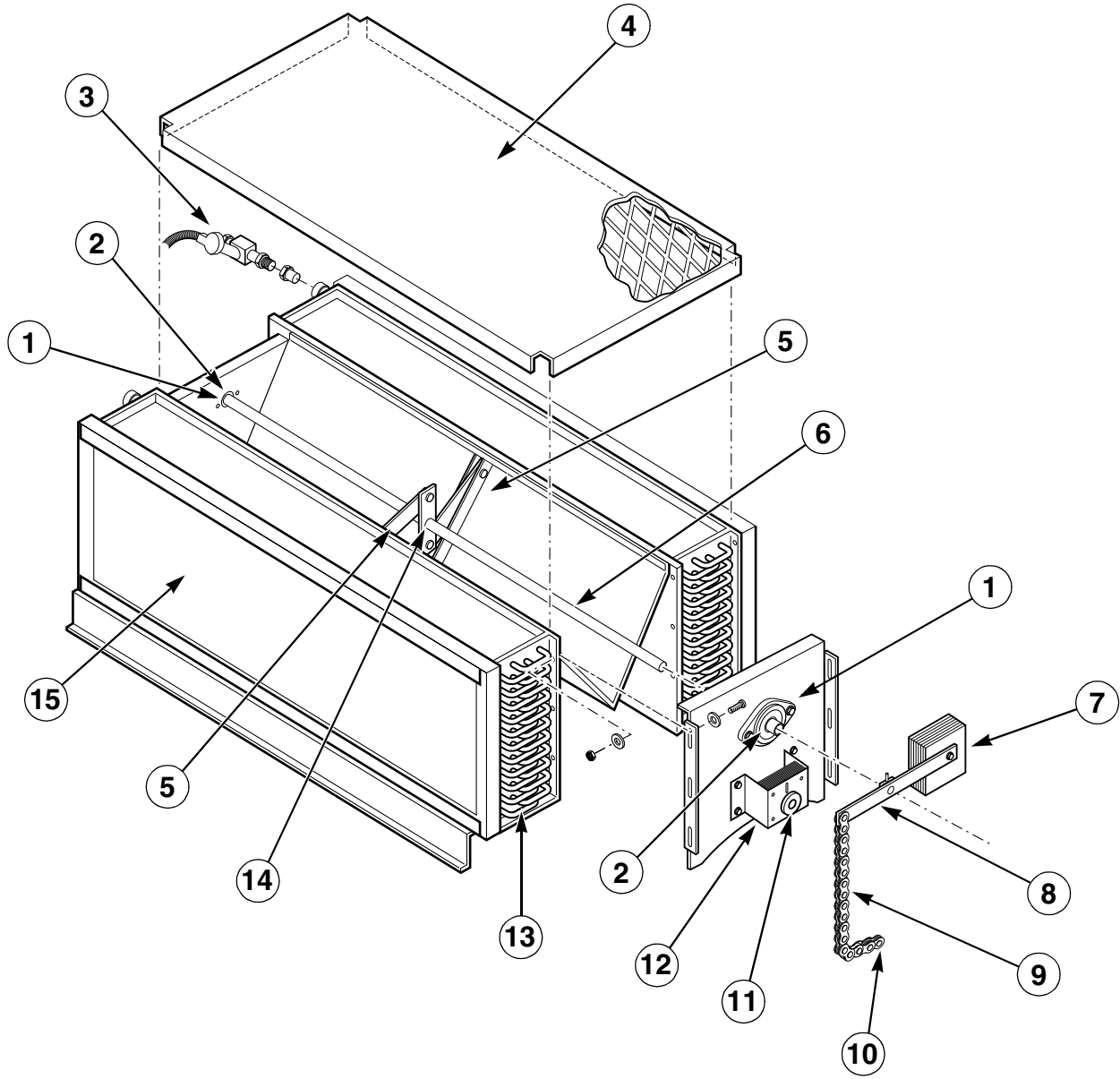
T241P

## Gas Burner and Igniter

REF	PART NO.	DESCRIPTION	COMMENTS
	H8900079H	Pilot Orifice	Natural Gas
	Q8152	Pilot Orifice	L.P. (Liquefied Petroleum) Gas
	N/A	Burner Wire Set	
	H89005169	Thermostat Stove High Limit	
1	M400664	Screw	
2	N/A	Pilot Tube	
3	H85289114	Sensor Wire	
4	H89000921	Pilot and Electrode Assembly	With spark plug terminal
	M410183	Pilot and Electrode Assembly	With quick connect terminal
5	H8841927H	Speed Nut	
6	M401209	Sensor	
7	M405340	Snap Bushing	
8	N/A	Bracket	
9	H96372008	Main Burner Assembly	
10	N/A	Pilot Shield	
11	Q6695	Screw	
12	F430976	Screw	
13	N/A	Flash Shield	
14	JT-149-3	Tubing Nut	

**N/A = Part no longer available**

# Steam Heating Unit



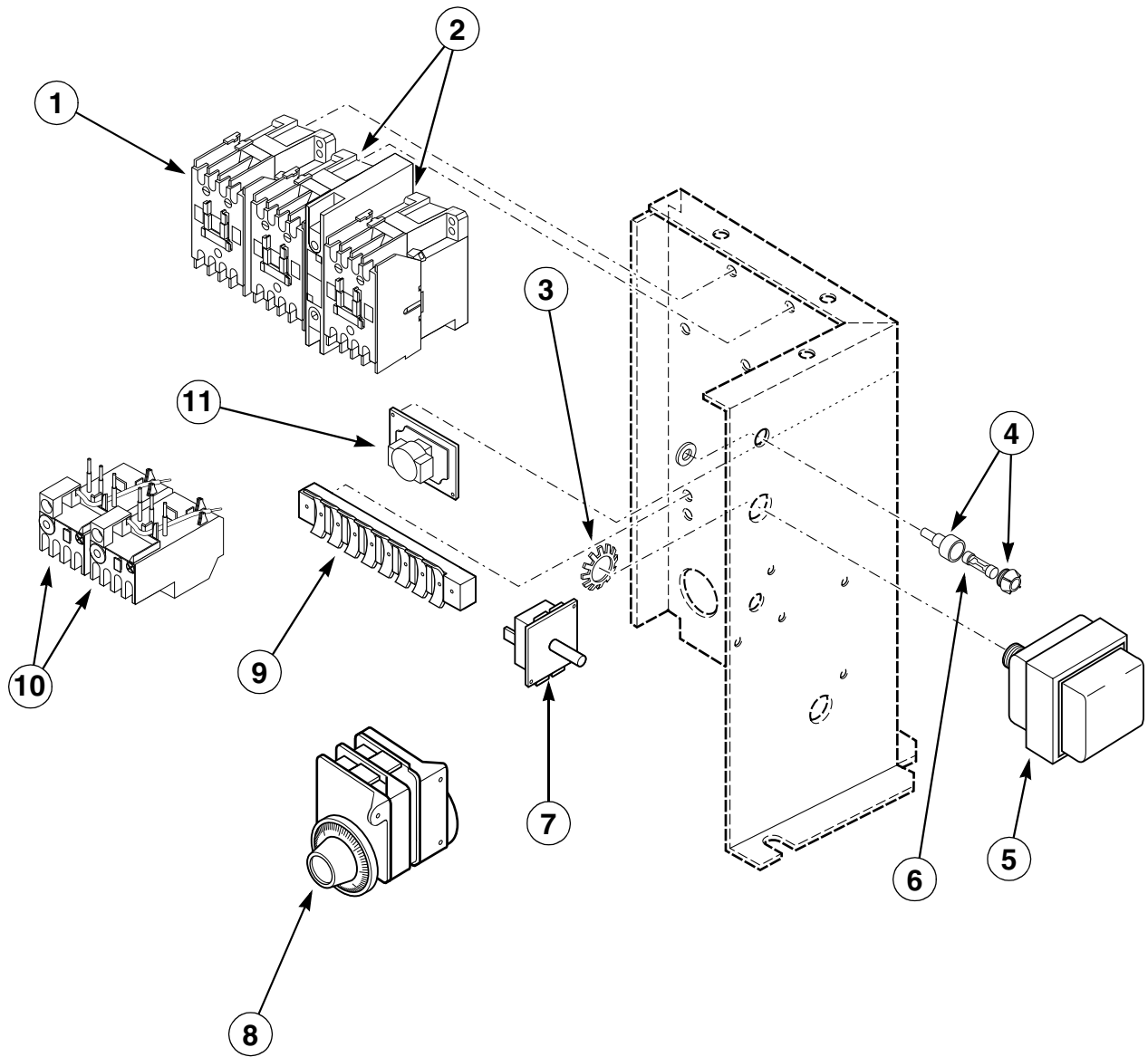
T244P

# Steam Heating Unit

REF	PART NO.	DESCRIPTION	COMMENTS
1	H96382080	Bearing Flangette	4 required
2	H96382098	Bearing Insert	
3	M411689	Steam Solenoid Valve	
4	H96388004	Housing Cover	
5	H96388012	Damper Link	
6	N/A	Damper Shaft	
7	M413331	Counterweight	4 required
8	H96387501	Actuator Arm	
9	H96388186	Chain	
10	H96382072	Connecting Link	
11	H96388178	Damper Drive Wheel	
12	H96388145	Bracket	
13	H96382023	Steam Coil	2 required
14	H96388061	Actuator	
15	H96382106	Filter	2 required

**N/A = Part no longer available**

# Reversing Controls



TMB1296P

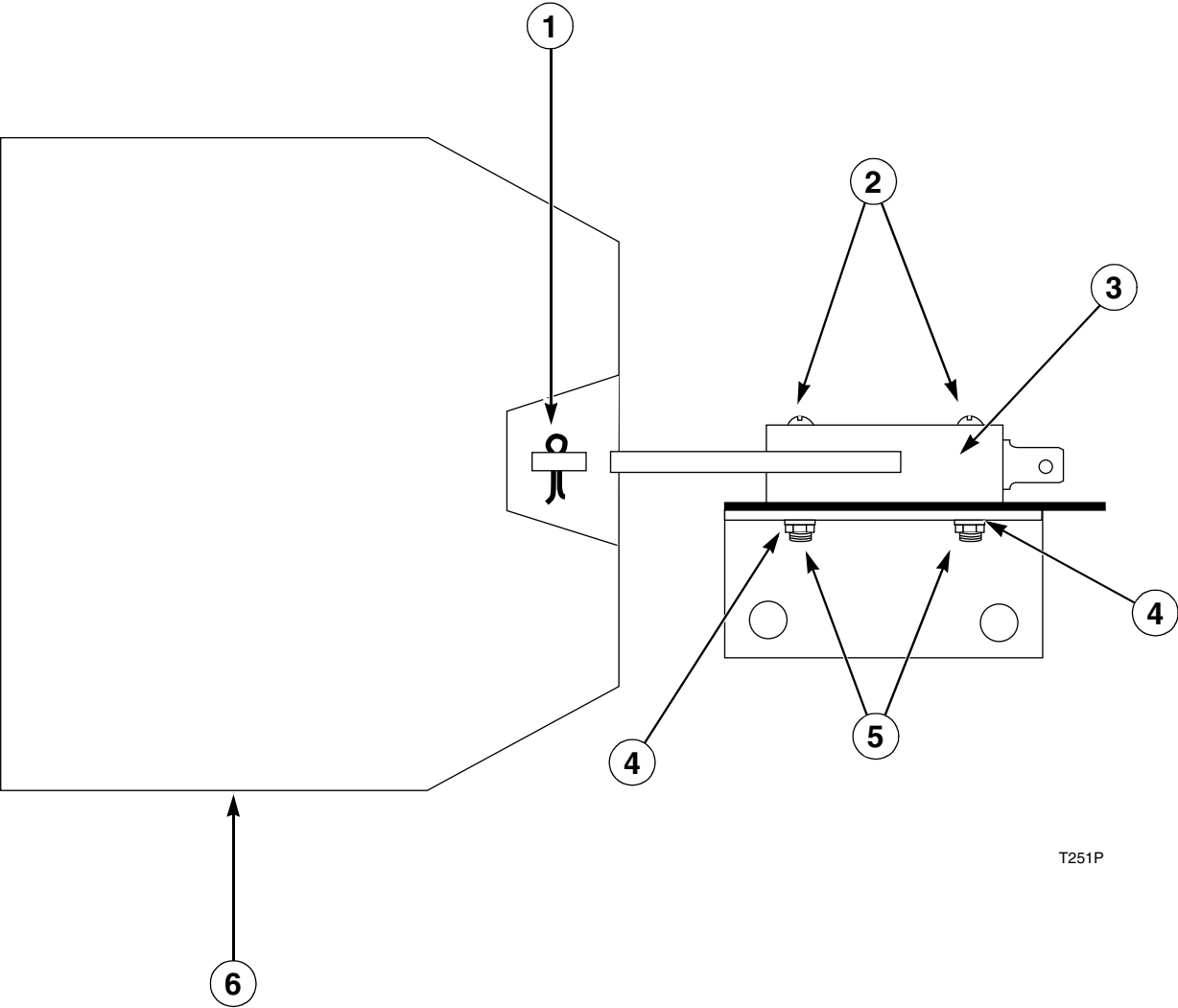
## Reversing Controls

REF	PART NO.	DESCRIPTION	COMMENTS
	H83904615	Control Transformer	480 Volt models only
1	N/A	Fan Contactor	Use on models ending with CG and CSH
	H96422233	Fan Contactor	Use on models ending with GH4 and SH4
2	H8300831H	Reversing Contactor	
3	M409368	Locknut	
4	H83900050	Fuse Holder	
5	H83904664	Ignition Transformer	
6	G137653	Fuse	1 Amp, 250 VAC
7	N/A	Buzzer	
8	H96422399	Reversing Timer	
9	H83103416	Terminal Strip	
10	H8300105H	Overload Relay	Use on models ending with CG and CSH; 208-240 Volt
	N/A	Overload Relay	Use on models ending with CG and CSH; 380-415/480 Volt
	H96422605	Overload Relay	Use on models ending with GH4 and SH4; All voltages
11	H83005314	Time Delay Relay	

**N/A = Part no longer available**

# Airflow Switch Assembly

(Mounted on Upper Right Cabinet Back)



T251P



# Airflow Switch Assembly

(Mounted on Upper Right Cabinet Back)

REF	PART NO.	DESCRIPTION	COMMENTS
1	02470	Cotter Pin	
2	M401938	Screw	
3	H83055111	Switch with Lever	
4	51345	Lockwasher	
5	H88410030	Nut	
6	430372P	Vane	Air switch



# Parts Index

## A

Actuator	
H96388061 .....	35
M409976 .....	13
Actuator Arm	
H96387501 .....	35

## B

Bearing Flangette	
H96382080 .....	35
Bearing Insert	
H8768212H .....	27
H96382098 .....	35
Belt	
H8753170H .....	27
H87533014 .....	19
H87533816P .....	19
Blower Base	
H608P3 .....	27
Bolt	
H88001565 .....	19
Bracket	
H96388145 .....	35
H96428693 .....	23, 27
N/A .....	33
Burner Orifice	
H8900083H .....	31
M410999 .....	31
N/A .....	31
Burner Wire Set	
N/A .....	33
Bushing	
H87529111 .....	25, 27
H87529160 .....	25
H8752985H .....	19
M412917 .....	27
N/A .....	31
Buzzer	
N/A .....	37

## C

Chain	
H96388186 .....	35
Clamp	
M411614 .....	31
Connecting Link	
H96382072 .....	35
Control Transformer	
H83904615 .....	37
Control Trim	
M410291 .....	13
Cooling Timer	
M410901P .....	7
M410903P .....	7
Cotter Pin	
02470 .....	39

Counterweight	
M413331 .....	35
Cover	
H96358007 .....	27
Cylinder	
H96427513 .....	29
M409659 .....	29
M409788 .....	29
Cylinder and Shaft Assembly	
H96420013 .....	29
M409708 .....	29
M409789 .....	29
Cylinder Drive Motor	
H8371044H .....	23
H8371047HP .....	23

## D

Damper and Hinge	
M409967 .....	27
Damper Drive Wheel	
H96388178 .....	35
Damper Link	
H96388012 .....	35
Damper Shaft	
N/A .....	35
Door Assembly	
M410289 .....	15
M410290 .....	15
Door Catch	
M401223 .....	13
Door Gasket	
H96409156 .....	15
Door Glass	
M409899 .....	15
Door Glass Seal	
M409900 .....	15
Door Handle	
M400133 .....	15
Door Strike Screw	
M400661 .....	15
Door Switch	
H96422241 .....	13
Drive Guard Cover	
N/A .....	17
Drive Guard Side	
N/A .....	17
Drive Guard Top	
N/A .....	17
Drive Sheave	
H87520334 .....	23
H87520466 .....	23
Drying Timer	
M410900P .....	7
M410902P .....	7

---

## E

Elbow	N/A	31
Eye Bolt	M411337	19, 27

---

## F

Fan	M414546	25, 27
Fan Contactor	H96422233	37
	N/A	37
Fan Cover	H96358007	25
Fan Motor	N/A	27
Fan Shaft	M412000	27
Filter	H96382106	35
Flangette	H8768302H	27
Flash Shield	N/A	33
Front Panel	M410268	13
	N/A	13
Fuse	G137653	37
Fuse Holder	H83900050	37

---

## G

Gas Valve	H8526918H	31
Graphic Panel	N/A	9
Graphic Plate	M410265	9
	M410267	9
	M410329	9
	M410869	9

---

## H

Hinge Mounting Screw	H88129648	15
	M400044	15
Hinge Pin	M410029	13
Housing Cover	H96388004	35
Hub for Motor Sheave	H87529111	25

---

---

## I

Ignition Control	H8900657H	31
	M414316	31
Ignition Transformer	H83904664	37
Inlet Pipe	M411265	31
Insulation	N/A	13
Insulator	H96418728	13
	M406144	7

---

## J

Jackshaft Assembly	H96357751	19
--------------------	-----------	----

---

## K

Key	H8752006H	23, 25, 27
Knurled Nut	24205	9

---

## L

Label	N/A	5
Light	M400704	7, 9
	N/A	5
Lint Panel	H96428511L	11
	N/A	11
Lint Screen	H96367016	17
	N/A	17
Lint Screen Frame	H96362025	17
	H96422191	17
Locknut	M409368	37
Lockwasher	H88511118	21, 23
	M400013	25
	M400014	19, 21, 23
	51345	13, 39
	91176	9
Lower Door Hinge	M410030	15
	M410702	15
Lower Panel Hinge	M410042	13

---

---

**M**

Main Burner Assembly	
H96372008 .....	33
Manifold Pipe	
N/A .....	31
Motor	
M410860P .....	25
N/A .....	25
Motor Base	
M413171 .....	23, 27
Motor Bracket	
H608P3 .....	25
Motor Sheave	
H87520284 .....	25
Mounting Bracket	
H96428008 .....	21

---

**N**

Nameplate	
M410355 .....	11
N/A .....	11
Nipple	
M411418 .....	31
N/A .....	31
Nut	
H88410030 .....	39
H88412093 .....	21, 23
M404993 .....	19, 23, 29
Q6163 .....	15
20274 .....	17, 19, 21, 23
23951 .....	11
70054 .....	15
70072901 .....	13
70142 .....	25
Nylon Washer	
H88569108 .....	11, 13

---

**O**

Overload Relay	
H8300105H .....	37
H96422605 .....	37
N/A .....	37

---

**P**

Pillow Block Bearing	
H8762002H .....	27
Pilot and Electrode Assembly	
H89000921 .....	33
M410183 .....	33
Pilot Orifice	
H8900079H .....	33
Q8152 .....	33
Pilot Shield	
N/A .....	33
Pilot Tube	
N/A .....	31, 33

---

---

**R**

Relay	
M400908 .....	7
Resistor	
M410992 .....	7
Retainer Ring	
H88602263 .....	19
H88603477 .....	19
Reversing Contactor	
H8300831H .....	37
Reversing Switch	
M400945 .....	5
M413270 .....	5
Reversing Timer	
H96422399 .....	37
Reversing/Nonreversing Switch	
M413270 .....	9
Rib Rod	
H88301411 .....	29
Roller Catch	
H87020202 .....	11
Rubber Trim	
H81224511P .....	11

---

**S**

Screw	
F430976 .....	33
H88001565 .....	23
H88110267 .....	13
H88111703 .....	17, 21
H88129788 .....	13
H88213707 .....	11, 13
H88213996 .....	21
H88214515 .....	25
M400043 .....	19, 23
M400044 .....	11
M400056 .....	25
M400071 .....	7
M400072 .....	7, 13
M400664 .....	7, 33
M401902 .....	11, 17
M401938 .....	39
M405188 .....	17
M409385 .....	15
M411052 .....	7
N/A .....	31
Q6695 .....	33
22688 .....	21, 23
27202 .....	25
51778 .....	31
51780 .....	7
Sensor	
M401209 .....	33
Sensor Wire	
H85289114 .....	33
Sheave	
H87520284 .....	27
H87520334 .....	27
H8752251H .....	19
Shut-off Valve	
M413016 .....	31

---

Snap Bushing M405340 .....	33
Speed Nut H8841927H .....	31, 33
Steam Coil H96382023 .....	35
Steam Solenoid Valve M411689 .....	35
Step Pulley H96428024 .....	19
Step Pulley Bearings H87672374 .....	19
M4718P3 .....	19
Switch M400954 .....	7
Switch with Lever H83055111 .....	39

## T

Taper Bushing H87529111 .....	23
H87529129 .....	23
Temperature Knob M400777 .....	9
M410929 .....	9
Temperature Switch 27762 .....	9
Terminal Bracket N/A .....	7
Terminal Strip H83103416 .....	37
Thermostat H89005227 .....	27
H89005235 .....	27
H89005243 .....	27
H8900530H .....	27
H8900531H .....	27
Thermostat Stove High Limit H89005169 .....	33
Thermostats H89005227 .....	25
H89005235 .....	25
H89005243 .....	25
H8900530H .....	25
H8900531H .....	25
Time Delay Relay H83005314 .....	37
Timer H96402318 .....	5
N/A .....	5
Timer Graphic Plate M410264 .....	7
M410266 .....	7
M410869 .....	7
Timer Knob H83901157 .....	5
M400773 .....	7
M410927 .....	7
Timer Panel Box M410274 .....	7
Top Access Panel N/A .....	11

Trunnion Assembly H96357744 .....	29
Trunnion Bearing H87625430 .....	21
Tube H96428479 .....	19, 23, 27
Tubing Nut JT-149-3 .....	31, 33

## U

Union M411419 .....	31
Upper Door Hinge M410031 .....	15
M410701 .....	15
Upper Panel Hinge M410041 .....	13

## V

Vane 430372P .....	39
-----------------------	----

## W

Warning Label M409312 .....	13
M410892 .....	13
Washer M400014 .....	17
M400080 .....	19, 23
M400081 .....	21
M400671 .....	15
Wire Set N/A .....	13