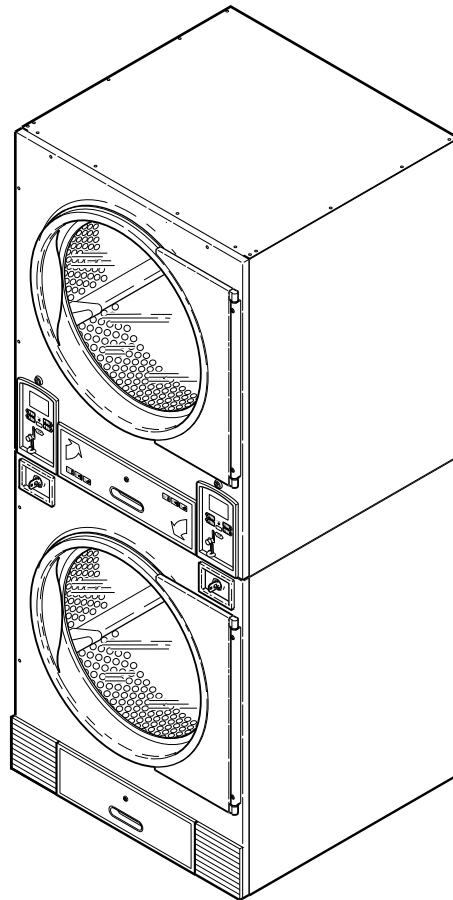


Drying Tumblers

Stack 30 Pound (300 Liter) Capacity

Refer to Page 3 for Model Numbers



T464P_70185001

Parts

Table of Contents

Title	Page
Parts Ordering Information.....	2
Serial Plate Location	2
Model Identification	3
Electronic Coin Drop Components.....	4
Coin Drop Assemblies	6
Card Reader Control Components	8
Electromechanical Coin Drop Components	10
Coin Meters and Components	12
Manual Dual Timer Control	14
NetMaster Card Reader	16
NetMaster Coin Drop	18
NetMaster Network Interface Board.....	20
NetMaster Network Board.....	22
Upper Front Panel Components	24
Lower Front Panel Components	26
Emergency Stop Button for CE Models	28
Upper Cylinder Support Components	30
Lower Cylinder Support Components	32
Lint Drawer Components	34
Door and Hinge Components	36
Cylinder Components	38
Drive Motor Components	40
Drive Motors.....	42
Blower and Exhaust Components.....	44
Blower Motors	46
Airflow Switch Components	48
Gas Burner Housing	50
Gas Burner Components	52
Gas Valve and Piping	54
Gas Valve Assembly.....	56
Burner Orifices	58
Electric Heater Components.....	60
Steam Heater Components	62
Rear Control Box - Gas Non-CE Models (Drawing 1 of 2).....	64
Rear Control Box - Gas Non-CE Models (Drawing 2 of 2).....	66
Rear Control Box - Steam Non-CE Models.....	68
Rear Control Box - Electric Non-CE Models	70
Rear Control Box - Gas CE Models	72
Rear Control Box - Steam CE Models	74
Rear Control Box - Electric CE Models Through Serial No. 112006347.....	76
Rear Control Box - Electric CE Models Starting Serial No. 112006348.....	78
Parts Index.....	81

© Copyright 2015, Alliance Laundry Systems LLC

All rights reserved. No part of the contents of this book may be reproduced or transmitted in any form or by any means without the expressed written consent of the publisher.

Parts Ordering Information

If literature or replacement parts are required, contact the source from whom the machine was purchased or contact Alliance Laundry Systems at (920) 748-3950 for the name and address of the nearest authorized parts distributor.

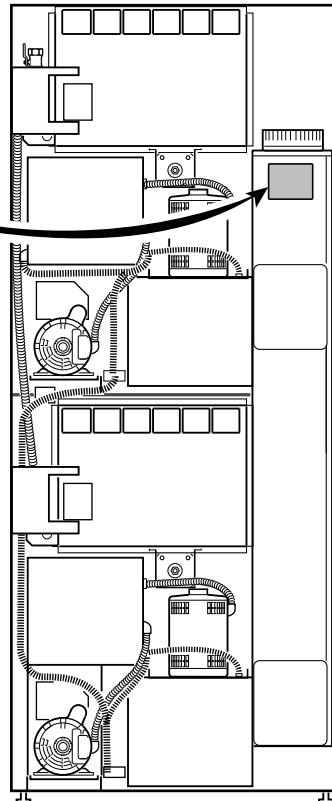
For technical assistance, call either of the numbers listed below:

(920) 748-3121 Ripon, Wisconsin
 +32 56 41 20 54 Wevelgem, Belgium

Serial Plate Location

When calling or writing about your product, be sure to mention model and serial numbers. Model and serial numbers are located on serial plate(s) as shown.

MODEL NO:		ANS Z2152 CLOTHES DRYER VOL-1	
SERIAL NO:		TESTED FOR NATURAL & LIQUID PETROLEUM GASES	
V-/	HERTZ/	PHASE	CGA 72
AMPS,	WIRES + GROUND	TOTAL kW,	MOTOR kW
REQ'D CIRCUIT BREAKER:		AMPS	
FAN OUTPUT:			
@MAX	*WC STATIC PRESSURE		
EQUIPPED FOR:		GAS@ *WC MANIFOLD PRESS.	
MIN SUPPLY PRESSURE:	*WC.	MAX SUPPLY PRESSURE:	*WC.
INPUT:	BTU/hr @	BTU/cu.ft.	
MADE IN U.S.A./FABRIQUE AU ETATS UNIS/FABRICADO EN LOS ESTADOS UNIDOS 70551001			



TMB1961P_70185001

Model Identification

Information in this manual is applicable to these tumbler models:

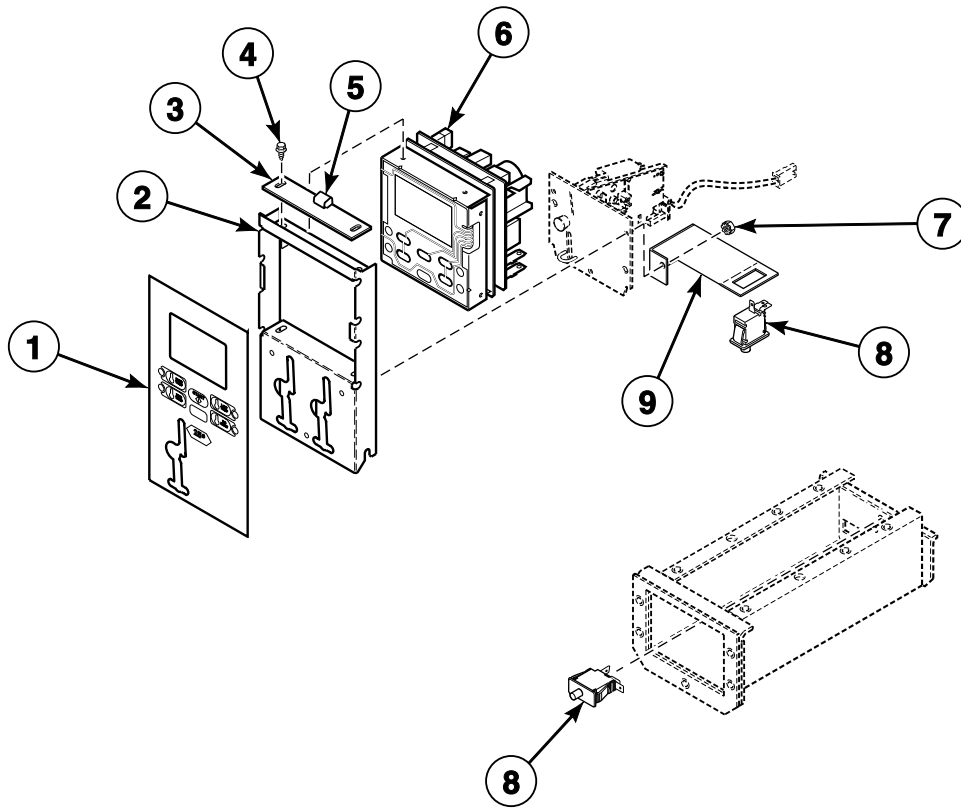
DC0300DEL	JA0300DRG	LT0300DRG	SA0300DRG
DC0300DFG	JC0300DEL	NT0300DRG	SC0300DEL
DC0300DRG	JC0300DFG	PC0300DEL	SC0300DFG
DC0300DSL	JC0300DRG	PC0300DFG	SC0300DRG
DT0300DEL	JC0300DSH	PC0300DRG	SC0300DSH
DT0300DFG	JC0300DSL	PC0300DSL	SC0300DSL
DT0300DRG	JT0300DEL	PT0300DEL	ST0300DEL
DT0300DSH	JT0300DFG	PT0300DFG	ST0300DFG
DT0300DSL	JT0300DRG	PT0300DRG	ST0300DRG
	JT0300DSH		ST0300DSH
	JT0300DSL		ST0300DSL

Control Suffixes (10th and 11th characters):

CD - rotary coin drop	MT - manual timer	ZC - NetMaster coin - network ready
EC - electronic coin	NC - NetMaster coin	ZR - NetMaster card - network ready
EP - electronic card reader	NR - NetMaster card	ZX - NetMaster prep for coin - network ready
EX - electronic coin ready	NX - NetMaster prep for coin	ZY - NetMaster prep for card - network ready
EY - electronic card ready	NY - NetMaster prep for card	

Electronic Coin Drop Components

Models with EC Control Suffix



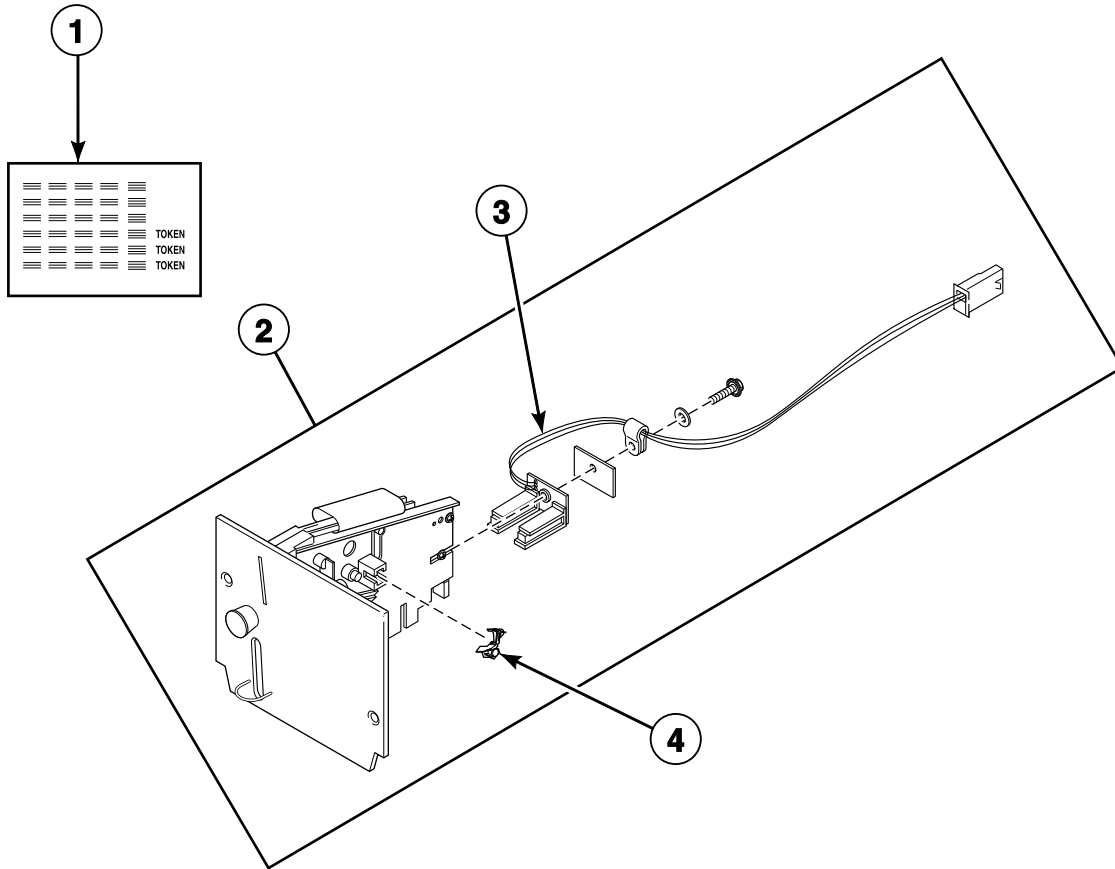
TMB2069P_70185001

Electronic Coin Drop Components

REF	PART NO.	DESCRIPTION	COMMENTS
	431611	Multiplier Harness Assembly	EDC; Dual drop
	CK090	Coin Drop Kit	Converts single U.S. \$.25 drops to dual drops
	38571	Multiplier Assembly	Dual drop
	M4691P3	Electronic Control Kit	ST models
	M4692P3	Electronic Control Kit	SA and SC models
	M4721P3	Electronic Control Kit	JT models
	M4722P3	Electronic Control Kit	JA and JC models
	70236501P	Control Wire Harness Assembly	
	70084203	Jumper Calibration Assembly	
1	70113601	Overlay	Text; ST models; Single
	70113901	Overlay	Text with infrared; JT models; Single
	70135501	Overlay	Icon; SC models; Single
	70135701	Overlay	Infrared; Icon; JC models; Single
	70136101	Overlay	Text non-infrared; JT models; Single
	70129301	Overlay	Upper; P models; Single
	70129401	Overlay	Lower; P models; Single
	70129501	Overlay	Upper; P models; Single
	70129601	Overlay	Upper; P models; Dual
	N/A	Overlay	Lower; P models; Single
	70129801	Overlay	Lower; P models; Dual
	70217001P	Dual Overlay Kit	Text; SC and ST models
	70217101P	Dual Overlay Kit	Icon; SC and ST models
	70217201P	Dual Overlay Kit	Text; JC and JT models
	70217301P	Dual Overlay Kit	Icon; JC and JT models; Dual
2	70175901	Control Door Assembly	JC, JT, SC and ST models; Includes studs
3	N/A	Latch Mounting Bracket	
4	501524	Screw	
5	431318	Control Door Latch	
6	M414049P	Control Kit	Includes tape; 24 Volt
7	70054	Nut	
8	70413301	Pushbutton Switch	
9	70292601	Audit Switch Bracket	

N/A = Part no longer available

Coin Drop Assemblies



TMB2904P_70185001

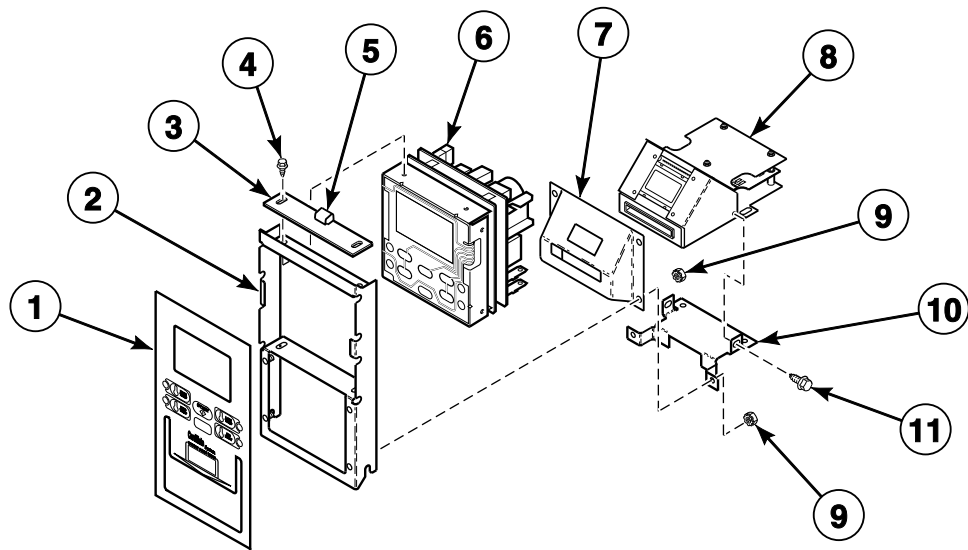
Coin Drop Assemblies

REF	PART NO.	DESCRIPTION	COMMENTS
1	38725	Coin Identification Paper	
2	38462P	Coin Drop Assembly	Token 118-1
	38463	Coin Drop Assembly	Token 118-5
	38464P	Coin Drop Assembly	Canada; .25
	70441602	Coin Drop Assembly	Canada; .25 and 1.00
	38467	Coin Drop Assembly	Australia; .20 and 1.00
	38472	Coin Drop Assembly	England; 20 pence and 1 pound
	70441601P	Coin Drop	USA; \$.25 MZP
	N/A	Coin Drop Assembly	Denmark; 1 and 5 DKK
	38519	Coin Drop Assembly	Japan; 100 and 500 yen
	38521	Coin Drop Assembly	Korea; 100 and 500 won
	N/A	Coin Drop Assembly	New Zealand; .20 and 1.00
	38963P	Coin Drop	Token 118-16 not available; Replacement for 38963P Coin Drop only
	N/A	Coin Drop Assembly	Taiwan; 5 NT and 10 NT; Dual drop
	39157	Coin Drop Assembly	Israel; Shekel
	38475	Coin Drop Assembly	Japan; 100 yen
	CK077	Coin Drop Kit	Taiwan; 10 NT
	210195	Coin Drop Assembly	Euro; .20 and 1.00
210196	Coin Drop Assembly	Euro; .50 and 1.00	
70256402P	Coin Drop	USA; \$.25 and \$1.00; Dual drop	
N/A	Coin Drop Assembly	5 and 10 krone	
3	200674P	Opto Coupler	
4	201595P	Wire Guard	

N/A = Part no longer available

Card Reader Control Components

Models with EP Control Suffix



T429P_70185001

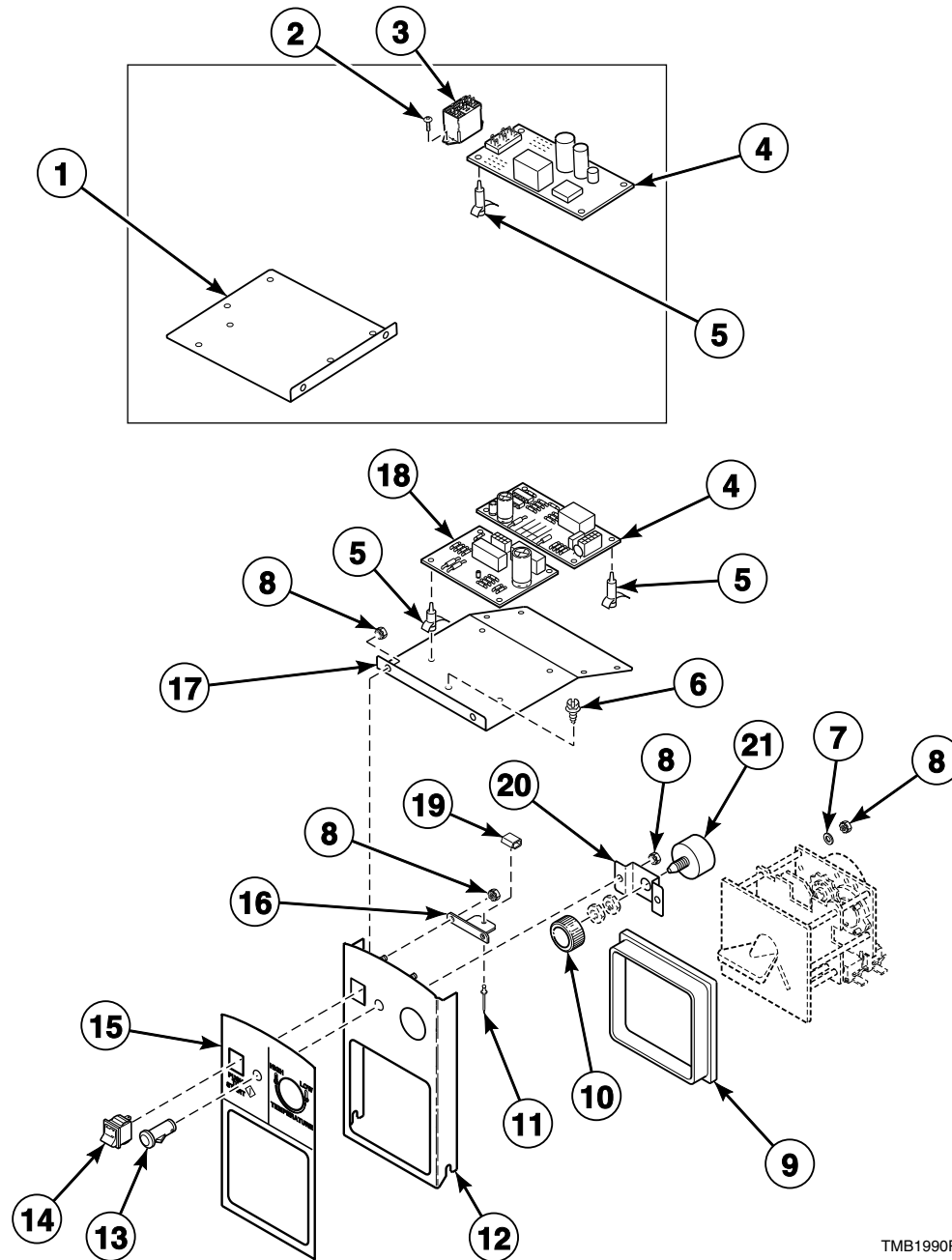
Card Reader Control Components

REF	PART NO.	DESCRIPTION	COMMENTS
	70211801	Card Reader Harness Assembly	Non-networked
	70206601	Card Reader Network Harness Assembly	
	70236501P	Control Wire Harness Assembly	
1	70136201	Overlay	ST models
	70115701	Overlay	JT models
2	70175903	Control Door Assembly	ST models; Includes studs
	70175904	Control Door Assembly	JT models; Includes studs
3	N/A	Latch Mounting Bracket	
4	501524	Screw	
5	431318	Control Door Latch	
6	M414049P	Control Kit	
7	N/A	Card Reader Mounting Bracket	
8	M4877P3	Card Reader Kit	
9	70054	Nut	
10	70119001	Chassis Mounting Bracket	
11	430497	Screw	

N/A = Part no longer available

Electromechanical Coin Drop Components

Models with CD Control Suffix



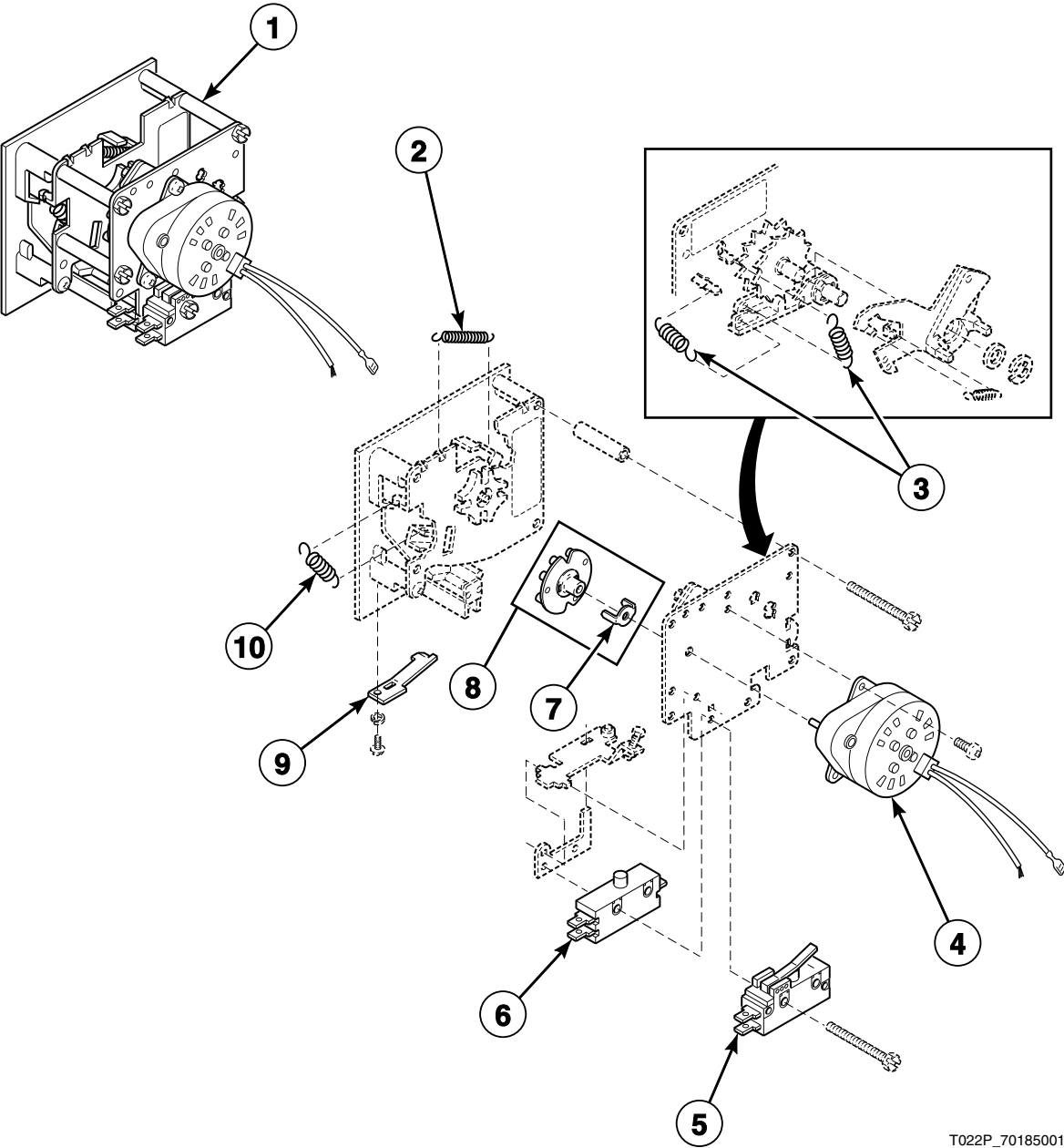
TMB1990P_70185001

Electromechanical Coin Drop Components

REF	PART NO.	DESCRIPTION	COMMENTS
	70236401P	Control Panel Harness Assembly	
1	70118901	Mounting Bracket	Models through Serial No. 9806013546
2	M402797	Screw	
3	M412534	Relay	
4	431347P	Thermostat Module	
5	34896	Circuit Board Support	4 required for models through Serial No. 9806013546; 8 required for models starting Serial No. 9806013547
6	M402917	Screw	Ground
7	M405535	Washer	
8	70054	Nut	
9	70061701	Rotary Drop Shroud	
10	70080601	Temperature Knob	S models
	N/A	Temperature Knob	J models
11	M400003	Pop Rivet	2 required
12	70175907	Control Door Assembly	S models; Includes studs
	70175908	Control Door Assembly	J models; Includes studs
13	70082201	Indicator Light	
14	70108501	Start Switch	
15	70115501	Overlay	JT models
	70136801	Overlay	JC models; Icon
	70128201	Overlay	S models
16	70119801	Latch Mounting Bracket	
17	70179001	Mounting Bracket	Models starting Serial No. 9806013547
18	70175301P	Timer Control Assembly	Models starting Serial No. 9806013547
19	431318	Control Door Latch	
20	70108001	Potentiometer Mounting Bracket	
21	70475001P	Temperature Kit	Potentiometer; Includes nuts

N/A = Part no longer available

Coin Meters and Components



T022P_70185001

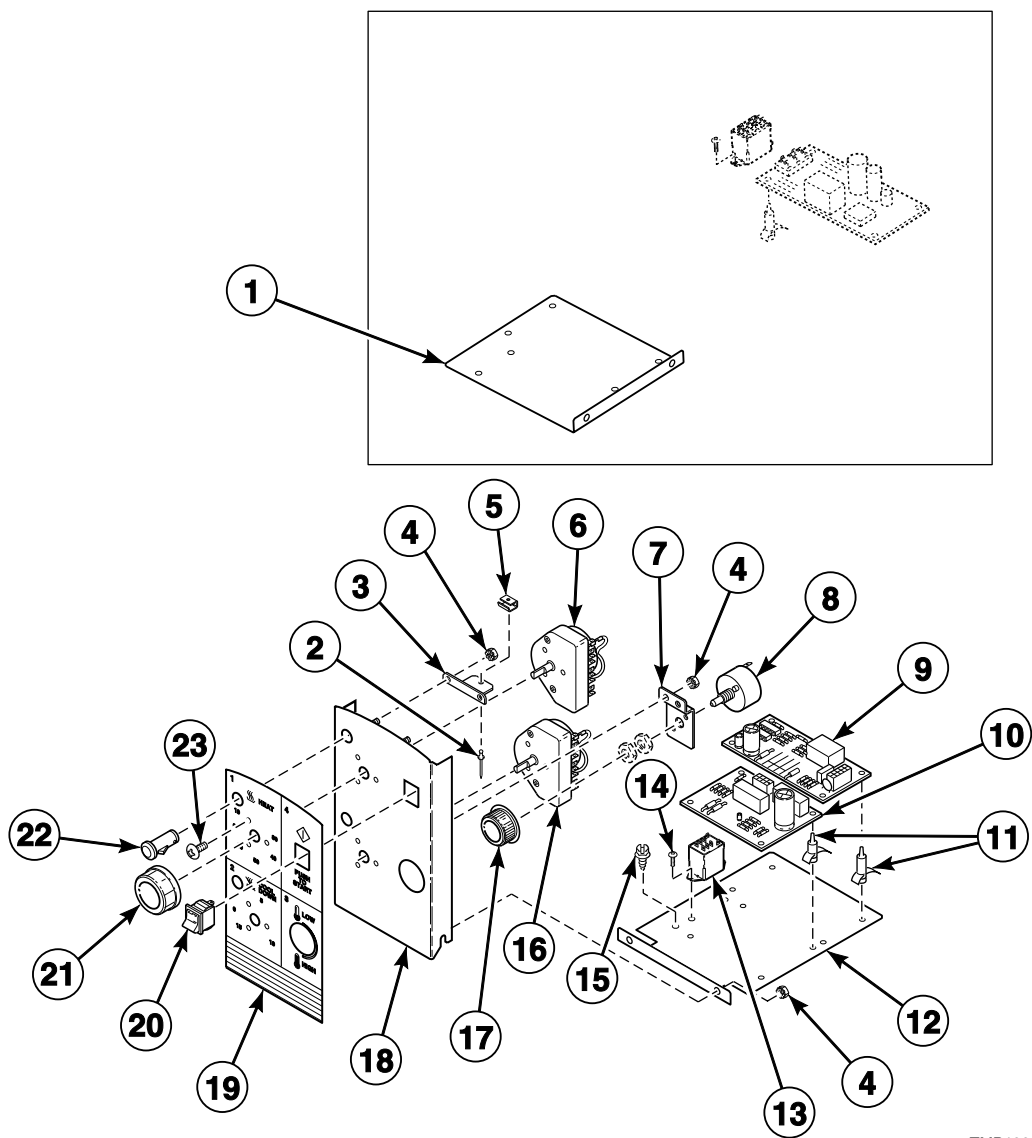
Coin Meters and Components

REF	PART NO.	DESCRIPTION	COMMENTS
	M4723P3	Coin Meter Control Kit	J models
1	N/A	Coin Meter	Australia; .20/5 minutes
	70112501P	Coin Meter	Australia; 1.00/15 minutes
	70112701P	Coin Meter	US; \$.25/10 minutes; 60 Hertz
	70138401P	Coin Meter	US; \$.25/10 minutes; 50 Hertz
	70137301P	Coin Meter	Token; Standard 118-1; 60 Hertz; 10 minutes
	70137401P	Coin Meter	Token; Standard 118-5; 60 Hertz; 10 minutes
	70151301	Coin Meter	South Africa; .20/10 minutes
	N/A	Coin Meter	England; 20 pence/7.5 minutes
	N/A	Coin Meter	Denmark; 1 krone/5 minutes
	M412546	Coin Meter	Token; Standard 118-1; 50 Hertz; 10 minutes
	N/A	Coin Meter	Token; Standard 118-5/10; 50 Hertz; 10 minutes
	70262401	Coin Meter	Euro; .20/5 minutes
	N/A	Coin Meter	Euro; .50/10 minutes
	2	M405138B	Return Spring
3	M402455	Coil Spring	
4	70218201	Timer Motor	60 Hertz; 1 revolution/hour
	70218301	Timer Motor	50 Hertz; 2 revolution/hour
5	M400947	Switch	Heat; Switch "B"
6	N/A	Single Throw Switch	Run; Switch "A"
7	M400754	Coin Meter Drive	
8	M400732P	Timing Cam	10 pin; 6 minutes for 60 Hertz; 3 minutes for 50 Hertz
	M400733P	Timing Cam	12 pin; 5 minutes for 60 Hertz; 2.5 minutes for 50 Hertz
	M400734P	Timing Cam	2 pin; 30 minutes for 60 Hertz; 15 minutes for 50 Hertz
	M400735P	Timing Cam	3 pin; 20 minutes for 60 Hertz; 10 minutes for 50 Hertz
	M400736P	Timing Cam	4 pin; 15 minutes for 60 Hertz; 7.5 minutes for 50 Hertz
	M400737P	Timing Cam	5 pin; 12 minutes for 60 Hertz; 6 minutes for 50 Hertz
	M400738P	Timing Cam	6 pin; 10 minutes for 60 Hertz; 5 minutes for 50 Hertz
	M400739P	Timing Cam	7 pin; 8.5 minutes for 60 Hertz; 4.25 minutes for 50 Hertz
	M400740P	Timing Cam	8 pin; 7.5 minutes for 60 Hertz; 3.75 minutes for 50 Hertz
	M400741P	Timing Cam	9 pin; 6.6 minutes for 60 Hertz; 3.3 minutes for 50 Hertz
9	M406297	Coin Retainer Spring	
10	M405138A	Coin Carrier Spring	

N/A = Part no longer available

Manual Dual Timer Control

Models with MT Control Suffix



TMB1991P_70185001

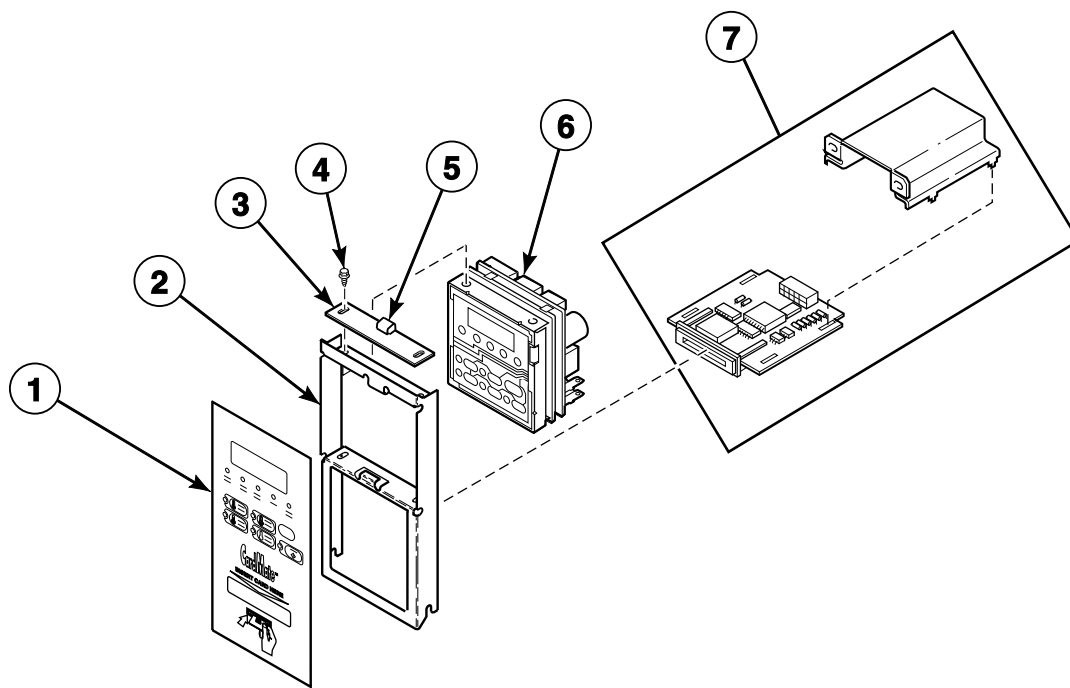
Manual Dual Timer Control

REF	PART NO.	DESCRIPTION	COMMENTS
	M4694P3	Manual Timer Control Kit	SC and ST models
	M4724P3	Manual Timer Control Kit	JC and JT models
	70236301	Control Panel Harness Assembly	
1	70131301	Mounting Bracket	Models through Serial No. 9806013546
2	M400003	Pop Rivet	2 required
3	70119801	Latch Mounting Bracket	
4	70054	Nut	
5	431318	Control Door Latch	
6	N/A	Timer	Heat; 50 Hertz; 60 minute; 24 Volt
	70131701P	Timer	Heat; 60 Hertz; 60 minute; 24 Volt
7	70108001	Potentiometer Mounting Bracket	
8	70475001P	Temperature Kit	Potentiometer; Includes nuts
9	431347P	Thermostat Module	
10	70175301P	Timer Control Assembly	
11	34896	Circuit Board Support	4 required for models through Serial No. 9806013546; 8 required for models starting Serial No. 9806013547
12	70179101	Mounting Bracket	Models starting Serial No. 9806013547
13	M412534	Relay	2 required per control
14	M402797	Screw	
15	M402917	Screw	Ground
16	M412079P	Timer	Cooling; 50 Hertz; 15 minute; 24 Volt
	70131801P	Timer	Cooling; 60 Hertz; 15 minute; 24 Volt
17	N/A	Temperature Knob	JC and JT models
	70080601	Temperature Knob	SC and ST models
18	N/A	Control Door Assembly	SC and ST models; Includes studs
	70175906	Control Door Assembly	JC and JT models; Includes studs
19	70114401	Overlay	JT models
	70128101	Overlay	ST models
	70129901	Overlay	Upper; P models
	N/A	Overlay	Lower; P models
	N/A	Overlay	SC models; Icon
	70135601	Overlay	JC models; Icon
20	70108501	Start Switch	
21	70082101	Timer Knob	SC and ST models
	M410927	Knob	JC and JT models
22	70082201	Indicator Light	
23	M411052	Screw	

N/A = Part no longer available

NetMaster Card Reader

Models with NR, NY, ZR and ZY Control Suffixes



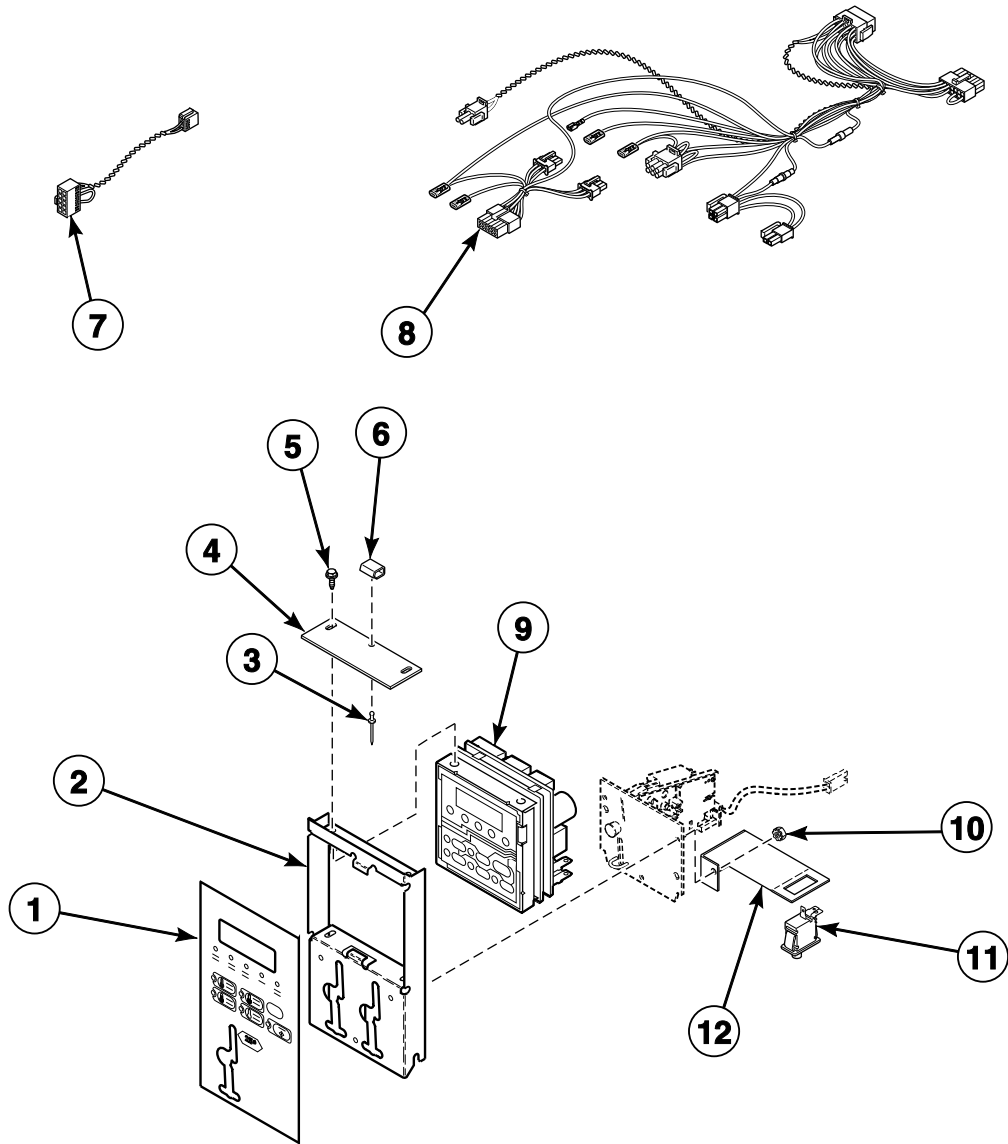
TMB368P_70185001

NetMaster Card Reader

REF	PART NO.	DESCRIPTION	COMMENTS
	70211801	Card Reader Harness Assembly	Non-networked
	70206601	Card Reader Network Harness Assembly	
	70204801	Main Harness Assembly	
	70211703P	Jumper Calibration Assembly	
	70206301P	Control Panel Harness Assembly	
	70235801	Control Panel Harness Assembly	JA and SA models
	70324601	Jumper Calibration Wire	
1	70184201	Overlay	Card reader installed
	70235101	Overlay	Card reader ready
2	70175911	Control Door Assembly	
	70348901	Control Plate Assembly	Card ready; ST models
	70349001	Control Plate Assembly	Card ready; JT models
3	70184501	Latch Mounting Bracket	
4	501524	Screw	
5	431318	Control Door Latch	
6	505905P	Control Kit	
7	510068P	Card Reader and Bracket Assembly	

NetMaster Coin Drop

Models with NC, NX, ZC and ZX Control Suffixes



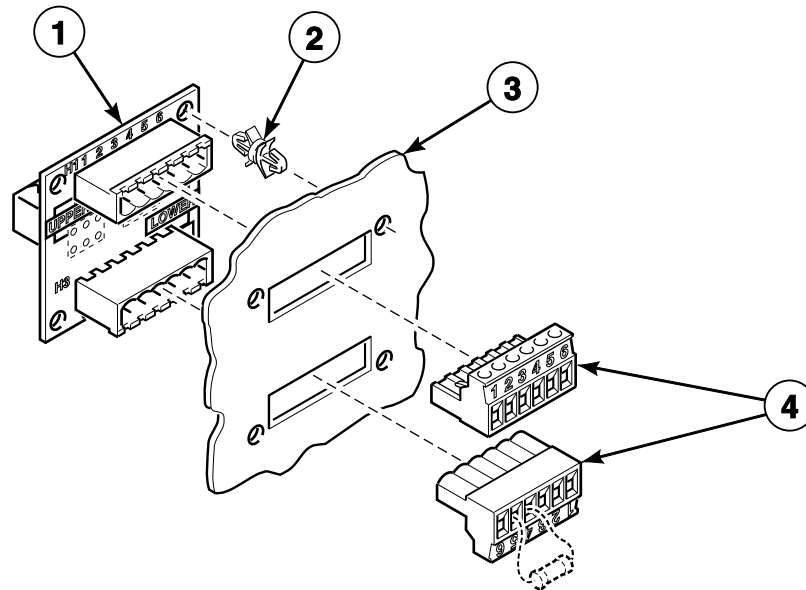
TMB2770P_70185001

NetMaster Coin Drop

REF	PART NO.	DESCRIPTION	COMMENTS
	70204801	Main Harness Assembly	
1	70184101	Overlay	ST models; Single drop
	70239401	Overlay	JT models; Single drop
	70239402	Overlay	JT models; Dual drop
	70184102	Overlay	ST models; Dual drop
2	70175909	Control Door Assembly	ST models
	70175910	Control Door Assembly	JT models
3	M400003	Pop Rivet	Attaches Control Door Latch to Control Door Assembly
4	70184501	Latch Mounting Bracket	
5	501524	Screw	
6	431318	Control Door Latch	
7	70211703P	Jumper Calibration Assembly	
8	70206301P	Control Panel Harness Assembly	
	70235801	Control Panel Harness Assembly	JA and SA models
9	505905P	Control Kit	
10	70054	Nut	
11	70413301	Pushbutton Switch	
12	70183901	Audit Switch Bracket	

NetMaster Network Interface Board

Models with ZC, ZR, ZX and ZY Control Suffixes



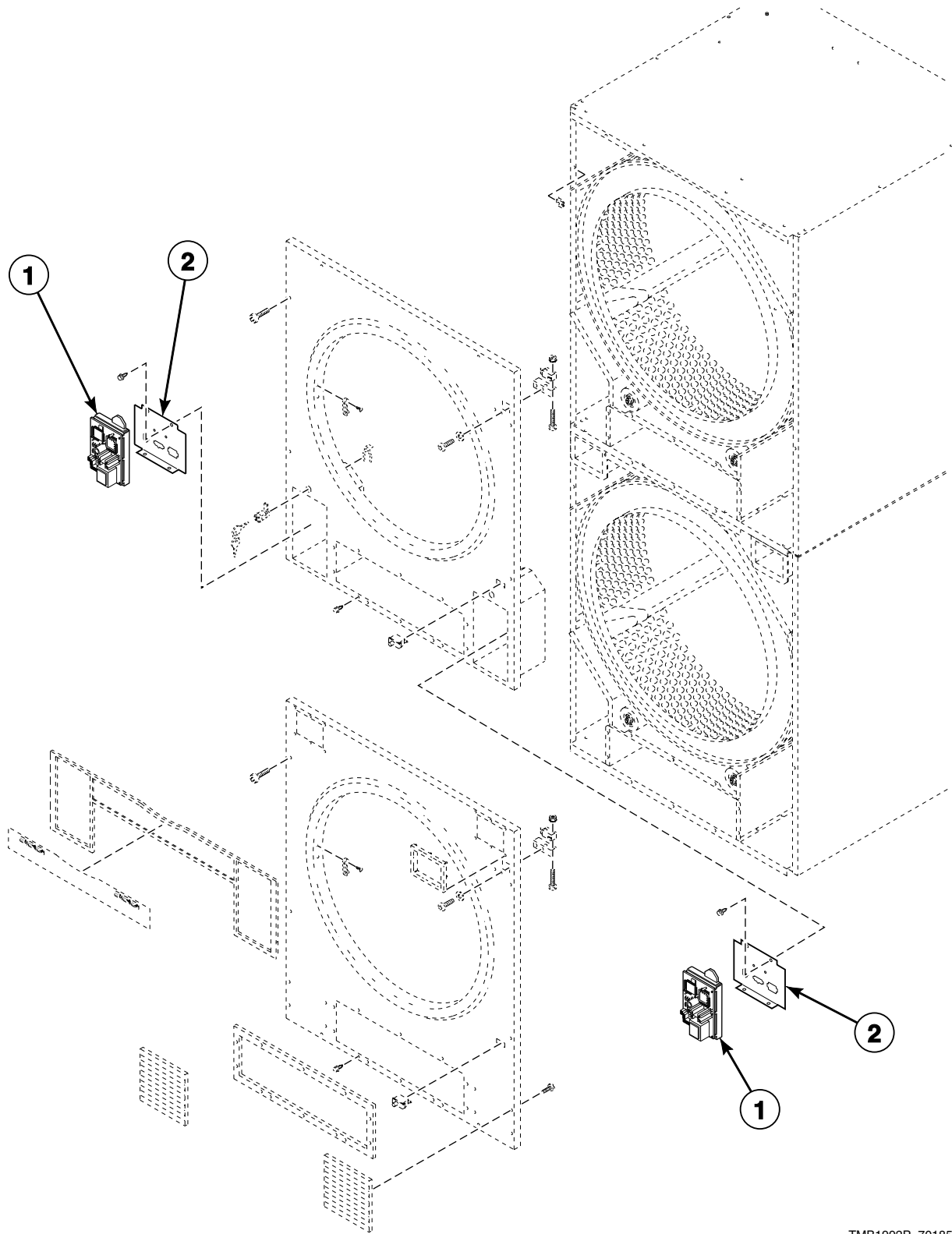
TMB1993P_70185001

NetMaster Network Interface Board

REF	PART NO.	DESCRIPTION	COMMENTS
	70211101	Communication Harness Assembly	
1	210097	Communication Board	
2	210098	PC Board Standoff	4 required
3	70205401	Communication Board Bracket	
4	210099	Communication Connector	

NetMaster Network Board

Models with ZC, ZR, ZX and ZY Control Suffixes

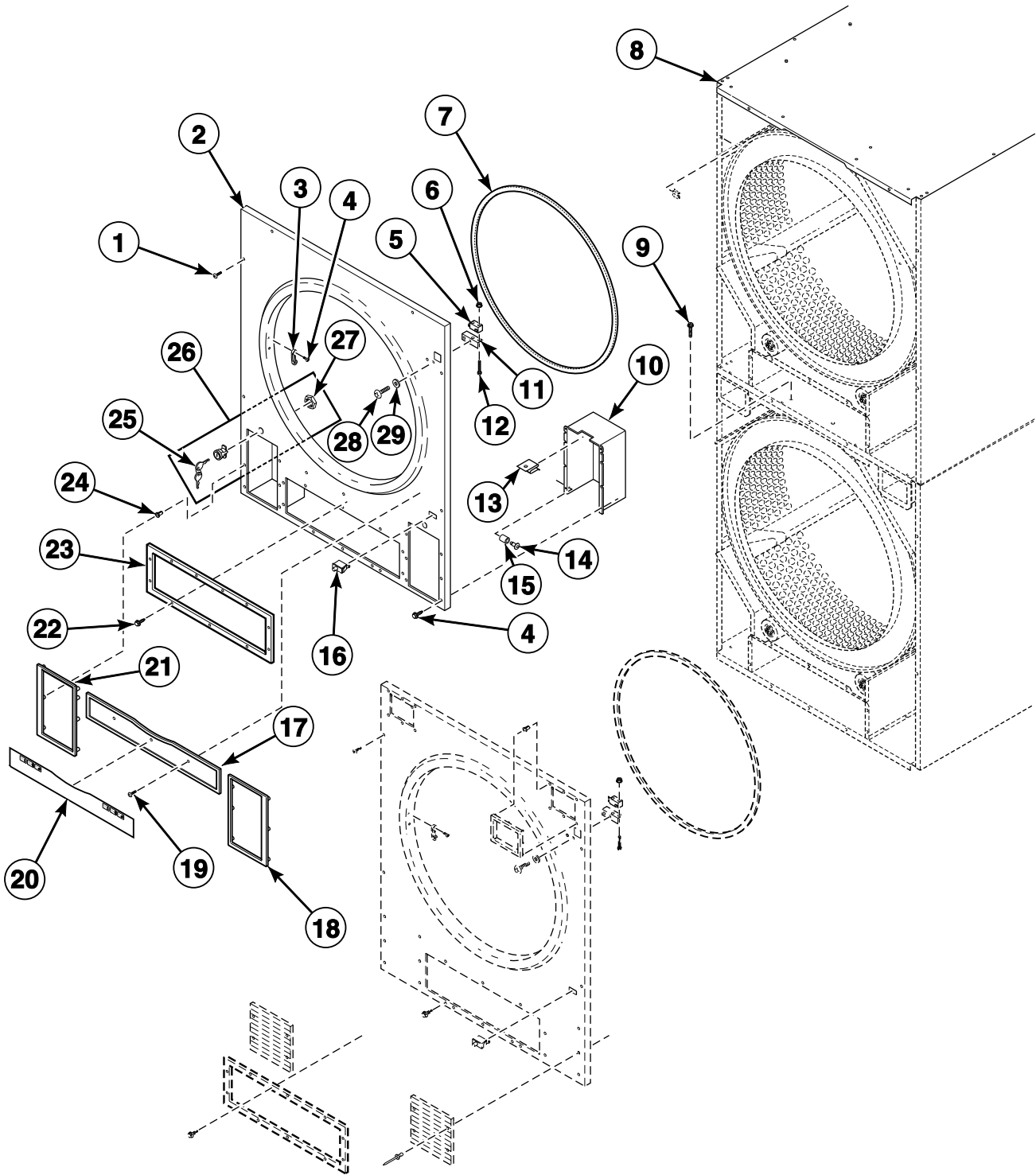


TMB1992P_70185001

NetMaster Network Board

REF	PART NO.	DESCRIPTION	COMMENTS
	800217	Network Wire Harness Assembly	
1	210016P	Network Board Assembly	
2	70203201	Control Housing Cover	

Upper Front Panel Components



TMB2771P_70185001

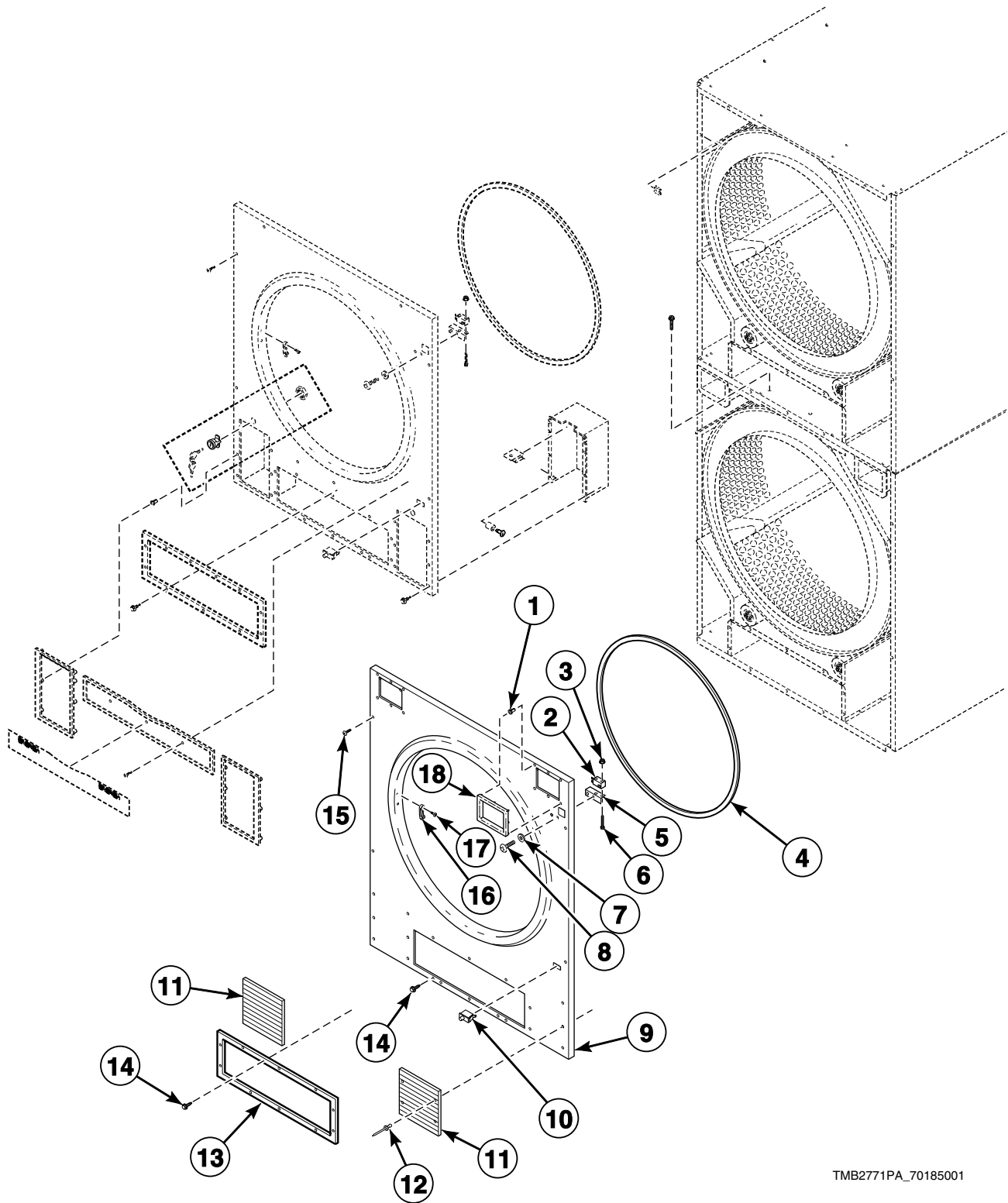
Upper Front Panel Components

REF	PART NO.	DESCRIPTION	COMMENTS
1	70033502	Screw	
2	70391301WP	Upper Front Panel Assembly	JT and ST models; Includes items 3 and 4
	70176002P	Upper Front Panel Assembly	Stainless steel; JT and ST models; Includes items 3 and 4
	70176003*P	Upper Front Panel Assembly	JC and SC models; Includes items 3 and 4
	70176004P	Upper Front Panel Assembly	JC and SC models; Includes items 3 and 4
3	M401223	Door Latch	
4	M400003	Pop Rivet	4 required per control housing
5	70125101	Door Switch	JC and SC models
6	70072901	Nut	JC and SC models
7	70173401P	Front Panel Seal	
8	70233101	Top Panel	
9	70069901	Screw	
10	70119901	Control Housing	
11	70119301	Door Switch Bracket	JC and SC models
12	M401938	Screw	JC and SC models
13	M406494	Panel Clip	2 required per control housing
14	430725	Pop Rivet	2 required per control housing
15	431264	Spacer	2 required per control housing
16	70413301	Pushbutton Switch	
17	70120501	Control Trim	Center; S models
18	70116901	Control Trim	Right; S models
	70117001	Control Trim	Left and right; J models
19	M405188	Screw	2 required; S models
20	70114601	Overlay	S models
	70412901	Overlay	P models
21	70116902	Control Trim	Left; S models
22	M411072	Screw	
23	70117901P	Lint Drawer Gasket	
24	M400972	Shadow Box Clip	
25	70155601	Key	Refer to note; RL001
26	44089301P	Lock, Key and Nut Kit	Refer to note; RL001; Includes item 26
27	44088801	Nut	
28	70132301	Screw	JC and SC models
29	F430311	Washer	JC and SC models

* Add Letter To Designate Color. L - Almond W - White

NOTE: Locks with key codes H2133, H2141 are no longer available. When replacing these items, order both lock and key.

Lower Front Panel Components



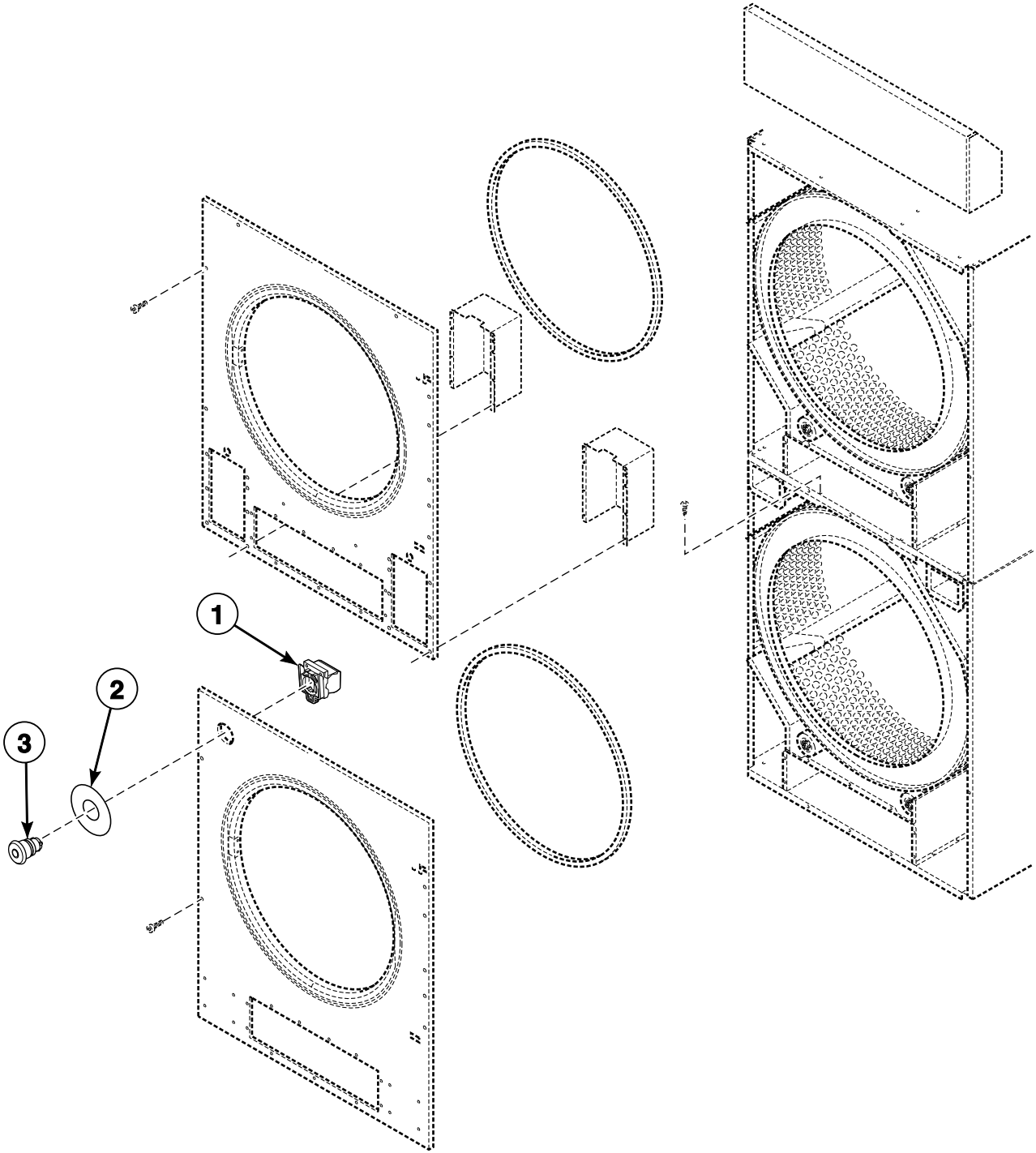
TMB2771PA_70185001

Lower Front Panel Components

REF	PART NO.	DESCRIPTION	COMMENTS
1	M400972	Shadow Box Clip	Holds coin vault trim
2	70125101	Door Switch	JC and SC models
3	70072901	Nut	JC and SC models
4	70173401P	Front Panel Seal	
5	70119301	Door Switch Bracket	JC and SC models
6	M401938	Screw	JC and SC models
7	F430311	Washer	JC and SC models
8	70132301	Screw	JC and SC models
9	70176101WP	Lower Front Panel Assembly	JT and ST coin models; Includes items 16 and 17
	70176102P	Lower Front Panel Assembly	Stainless steel; JT and ST coin models; Includes items 16 and 17
	70176103W	Lower Front Panel Assembly	JT and ST OPL models; Includes items 16 and 17
	70176104P	Lower Front Panel Assembly	Stainless steel; JT and ST OPL models; Includes items 16 and 17
	N/A	Lower Front Panel Assembly	JC and SC coin models; Includes items 16 and 17
	70176106	Lower Front Panel Assembly	Stainless steel; JC and SC coin models; Includes items 16 and 17
	70176107WP	Lower Front Panel Assembly	JC and SC OPL models; Includes items 16 and 17
	70176108	Lower Front Panel Assembly	Stainless steel; JC and SC OPL models; Includes items 16 and 17
10	70413301	Pushbutton Switch	
11	70117605	Kickplate	S models
	70117606	Kickplate	J models
12	70126401	Pop Rivet	
13	70117901P	Lint Drawer Gasket	
14	M411072	Screw	
15	70033502	Screw	
16	M401223	Door Latch	
17	M400003	Pop Rivet	
18	70117501	Coin Vault Trim	Gray; J models
	70117502	Coin Vault Trim	Black; S models
	N/A	Coin Vault Trim	White; P models

N/A = Part no longer available

Emergency Stop Button for CE Models



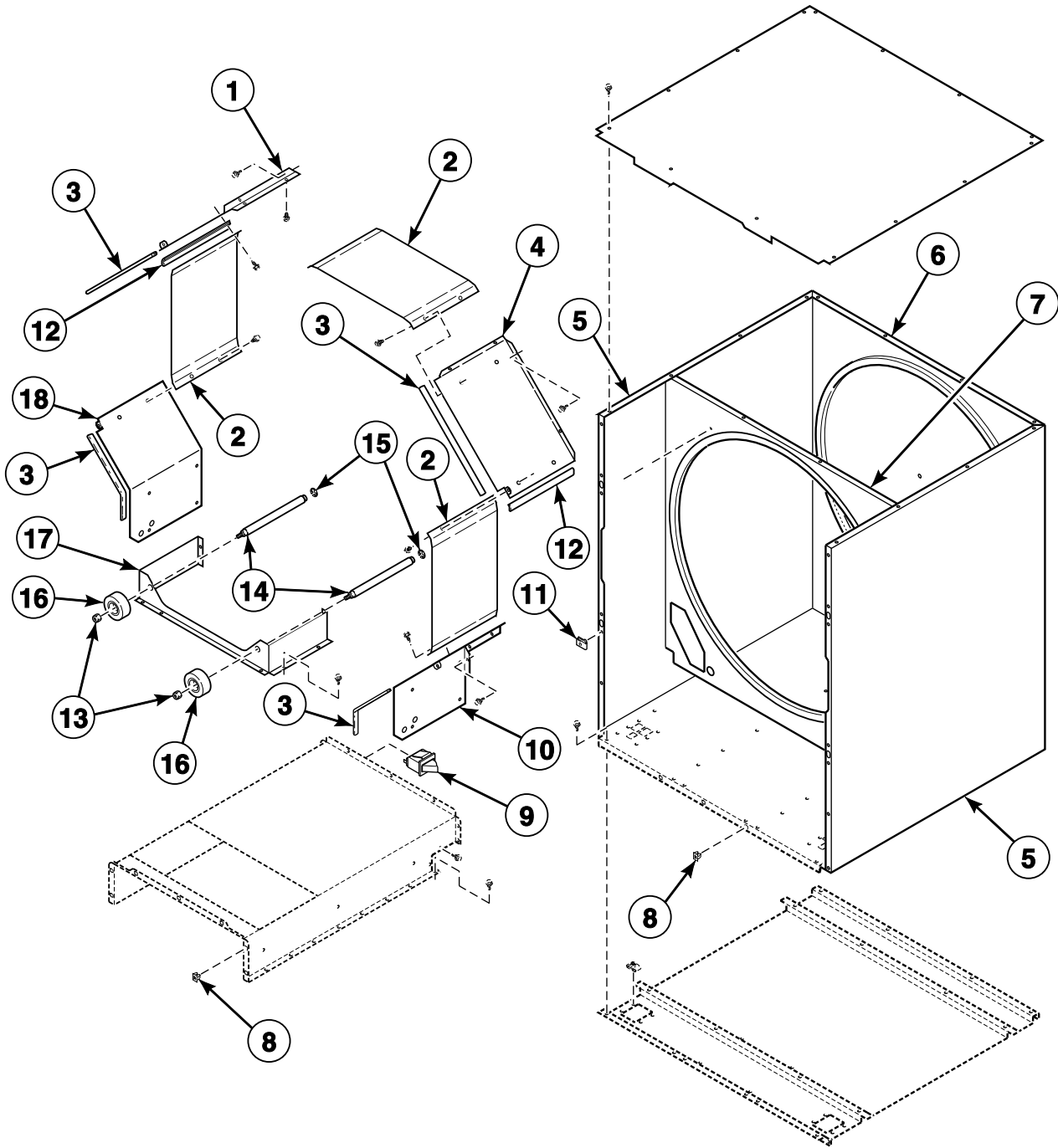
TMB2347P_70185001

Emergency Stop Button for CE Models

REF	PART NO.	DESCRIPTION	COMMENTS
	70235301	Emergency Stop Switch Harness Assembly	
1	N/A	Contact Block	JC and SC models
2	M412235	Emergency Stop Label	JC and SC models
3	44018801	Pushbutton	JC and SC models; If replacing this part, also order 44018701 Contact Block and 44018901 Contact Block

N/A = Part no longer available

Upper Cylinder Support Components



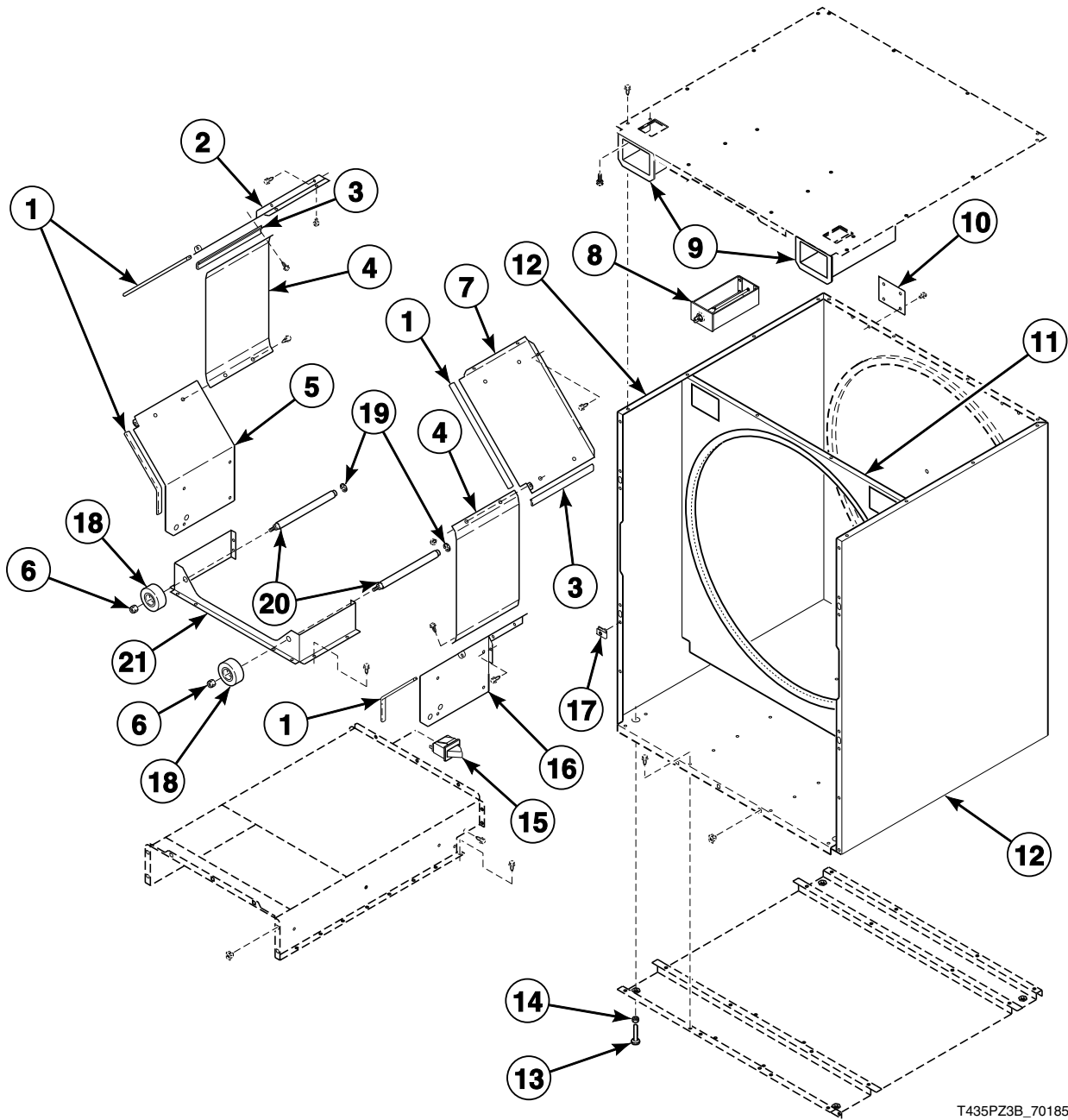
TMB2833P_70185001

Upper Cylinder Support Components

REF	PART NO.	DESCRIPTION	COMMENTS
	70235201	Coin Vault Switch Harness Assembly	EDC; Coin
	70058501	Pop Rivet	31 per side panel
1	70022101	Partition Baffle	Upper left
	70232602	Partition Baffle	Upper left; Models starting Serial No. 0001017880
2	70036601	Thermal Shield	Discontinued after Serial No. 9807017397
3	70015701	Baffle Gasket	11.38 inches
4	70022001	Partition Baffle	Upper right
	70232601	Partition Baffle	Upper right; Models starting Serial No. 0001017880
5	N/A	Side Panel	
6	70243401P	Rear Panel	Gas models
	70243402	Rear Panel	Electric or steam models
7	70066003	Center Cylinder Seal Assembly	
8	70030501	Expansion Clip	
9	431159	Switch	
10	70057101	Partition Baffle	Lower right
	70232701	Partition Baffle	Lower right; Models starting Serial No. 0001017880
11	70030401	Nut	
12	70015702	Baffle Gasket	8.75 inches
	70015705	Baffle Gasket	Models starting Serial No. 0001017880
13	430576	Nut	
14	70017701	Roller Shaft	
	70232001	Roller Shaft	Models starting Serial No. 0001017880
15	70023601	Retaining Ring	
16	70298701P	Roller Bearing Assembly	
17	70055001	Roller Support Bracket	
	70231901	Roller Support Bracket	Models starting Serial No. 0001017880
18	70198801	Partition Baffle	Lower left
	70232801	Partition Baffle	Lower left; Models starting Serial No. 0001017880

N/A = Part no longer available

Lower Cylinder Support Components



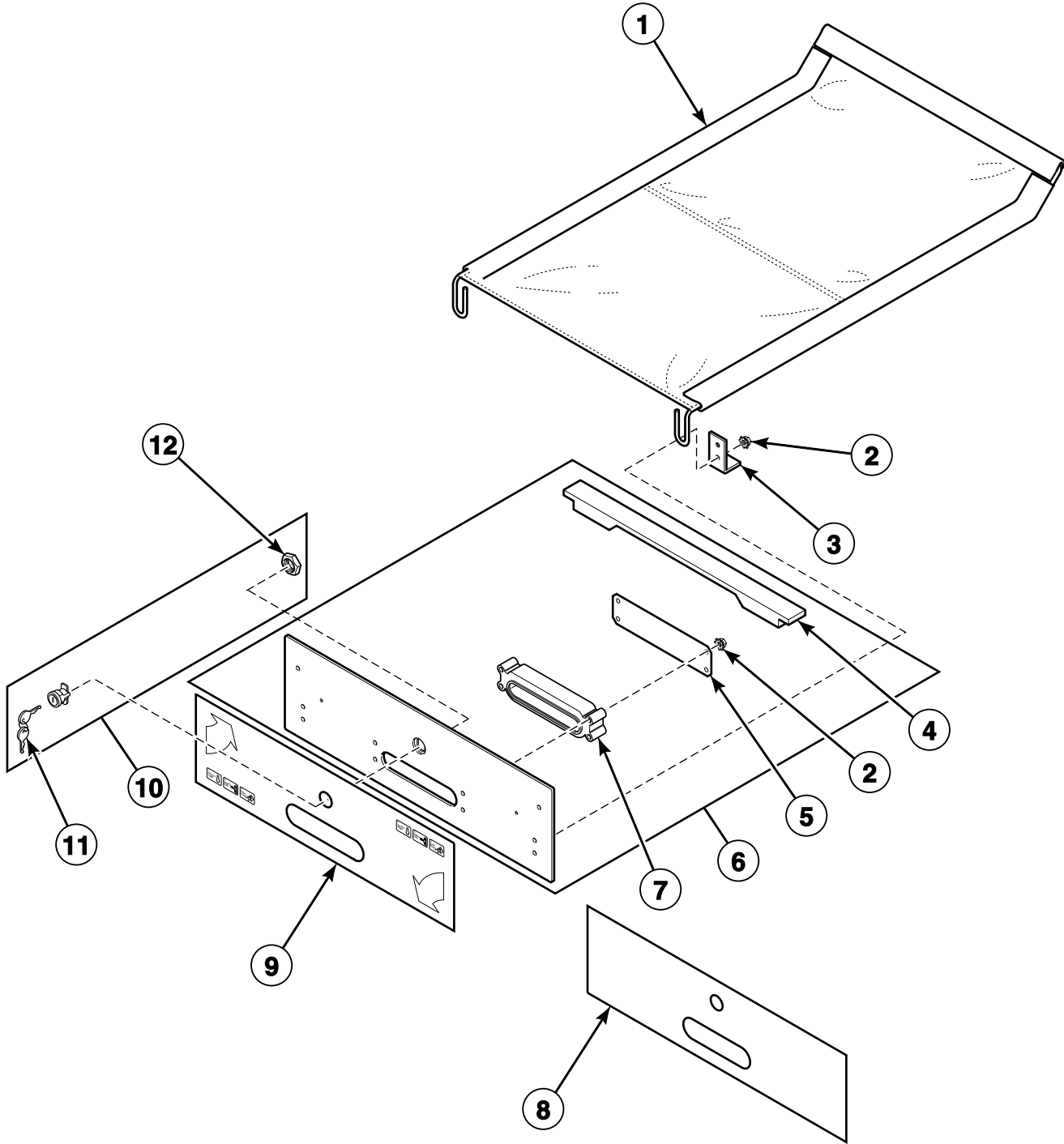
T435PZ3B_70185001

Lower Cylinder Support Components

REF	PART NO.	DESCRIPTION	COMMENTS
	70235201	Coin Vault Switch Harness Assembly	EDC; Coin
	70058502	Pop Rivet	13 per coin vault
	70058501	Pop Rivet	31 per side panel
	70296401	Coin Chute Assembly	
	70226701	Clip	Center seal
1	70015701	Baffle Gasket	11.38 inches
2	70215302	Partition Baffle	Upper left
	70232602	Partition Baffle	Upper left; Models starting Serial No. 0001017880
3	70015702	Baffle Gasket	8.75 inches
	70015705	Baffle Gasket	Models starting Serial No. 0001017880
4	70036601	Thermal Shield	
5	70198801	Partition Baffle	Lower left
	70232801	Partition Baffle	Lower left; Models starting Serial No. 0001017880
6	430576	Nut	
7	70215303	Partition Baffle	Upper right
	70232601	Partition Baffle	Upper right; Models starting Serial No. 0001017880
8	F160673	Coin Box	Includes lock and key
9	70180101	Coin Vault Assembly	
10	70058301	Cabinet Strap	
11	70066003	Center Cylinder Seal Assembly	Center
12	N/A	Side Panel	
13	34319	Leveling Leg	
14	21899	Nut	
15	431159	Switch	
16	N/A	Partition Baffle	Lower right
	70232701	Partition Baffle	Lower right; Models starting Serial No. 0001017880
17	70030501	Expansion Clip	
18	70298701P	Roller Bearing Assembly	
19	70023601	Retaining Ring	
20	70017701	Roller Shaft	
	70232001	Roller Shaft	Models starting Serial No. 0001017880
21	70055001	Roller Support Bracket	
	70231901	Roller Support Bracket	Models starting Serial No. 0001017880

N/A = Part no longer available

Lint Drawer Components



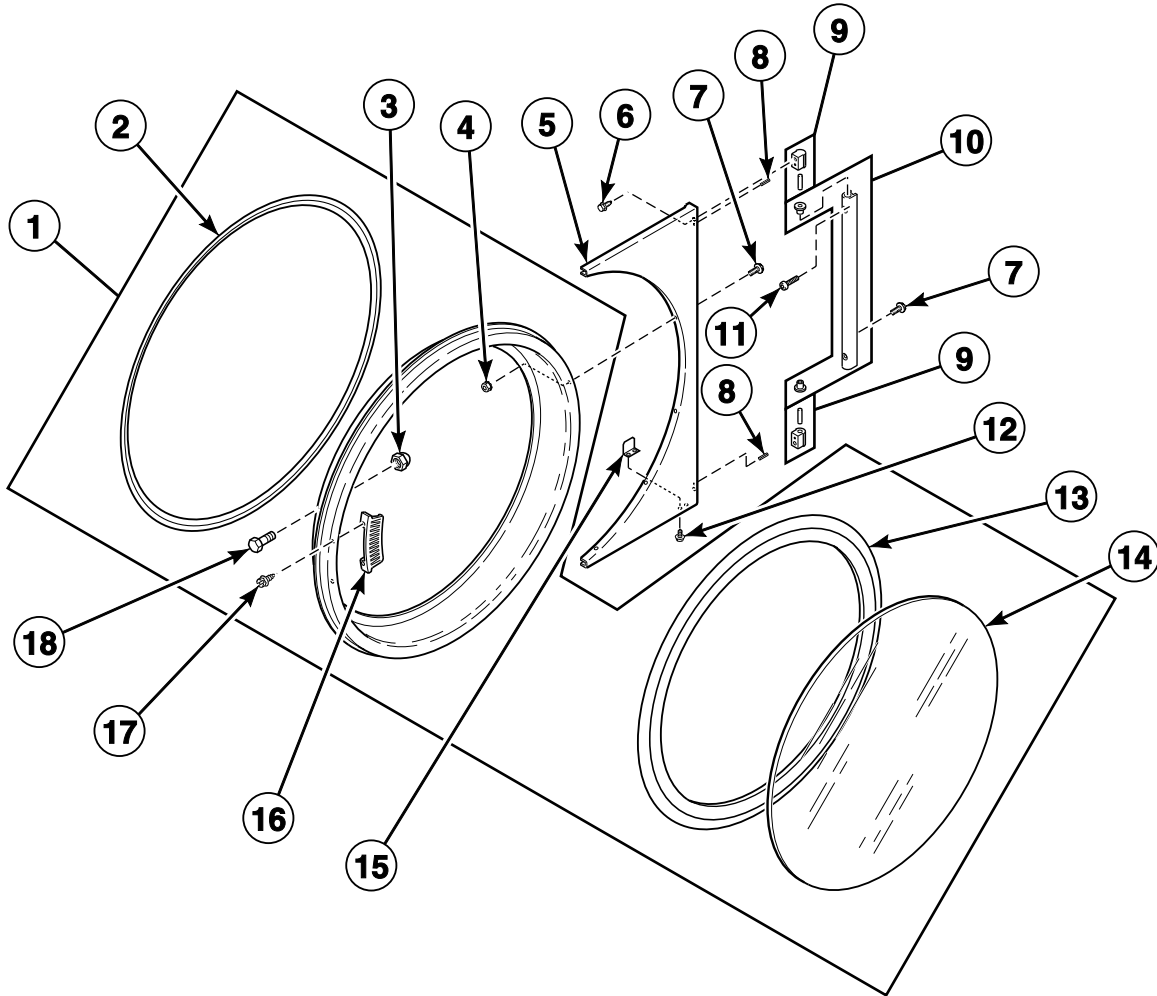
TMB2640P_70185001

Lint Drawer Components

REF	PART NO.	DESCRIPTION	COMMENTS
1	70290601	Lint Screen Assembly	
2	29786	Nut	
3	70026901	Lint Screen Bracket	
4	70333101	Lint Frame Gasket	
5	70323201	Lint Drawer Handle Plate	
6	70322901P	Lint Drawer Front Kit	Black; Includes items 4, 5, 7 and 70342401 Lock Shim
	70322902P	Lint Drawer Front Kit	Gray; Includes items 4, 5, 7 and 70342401 Lock Shim
7	70320801	Lint Drawer Handle	Black
	70320802	Lint Drawer Handle	Gray
8	70115301	Overlay	ST models; Lower lint drawer
	70115201	Overlay	JT models; Lower lint drawer
	70136601	Overlay	JC models; Lower lint drawer
	70136401	Overlay	SC models; Lower lint drawer
9	70114701	Overlay	ST models; Upper lint drawer
	70115101	Overlay	JT models; Upper lint drawer
	70136501	Overlay	SC models; Upper lint drawer
	70136401	Overlay	JC models; Upper lint drawer
10	44089301P	Lock, Key and Nut Kit	RL001 key code; For use on top access panel only; Refer to note
	44089302P	Lock, Key and Nut Kit	RL002 key code; For use on top access panel and lint drawer; Refer to note
11	70155601	Key	RL001; For use on top access panel only; Refer to note
	70155602	Key	RL002; For use on top access panel and lint drawer; Refer to note
12	44088801	Nut	

NOTE: Locks with key codes H2133, H2141 are no longer available. When replacing these items, order both lock and key.

Door and Hinge Components



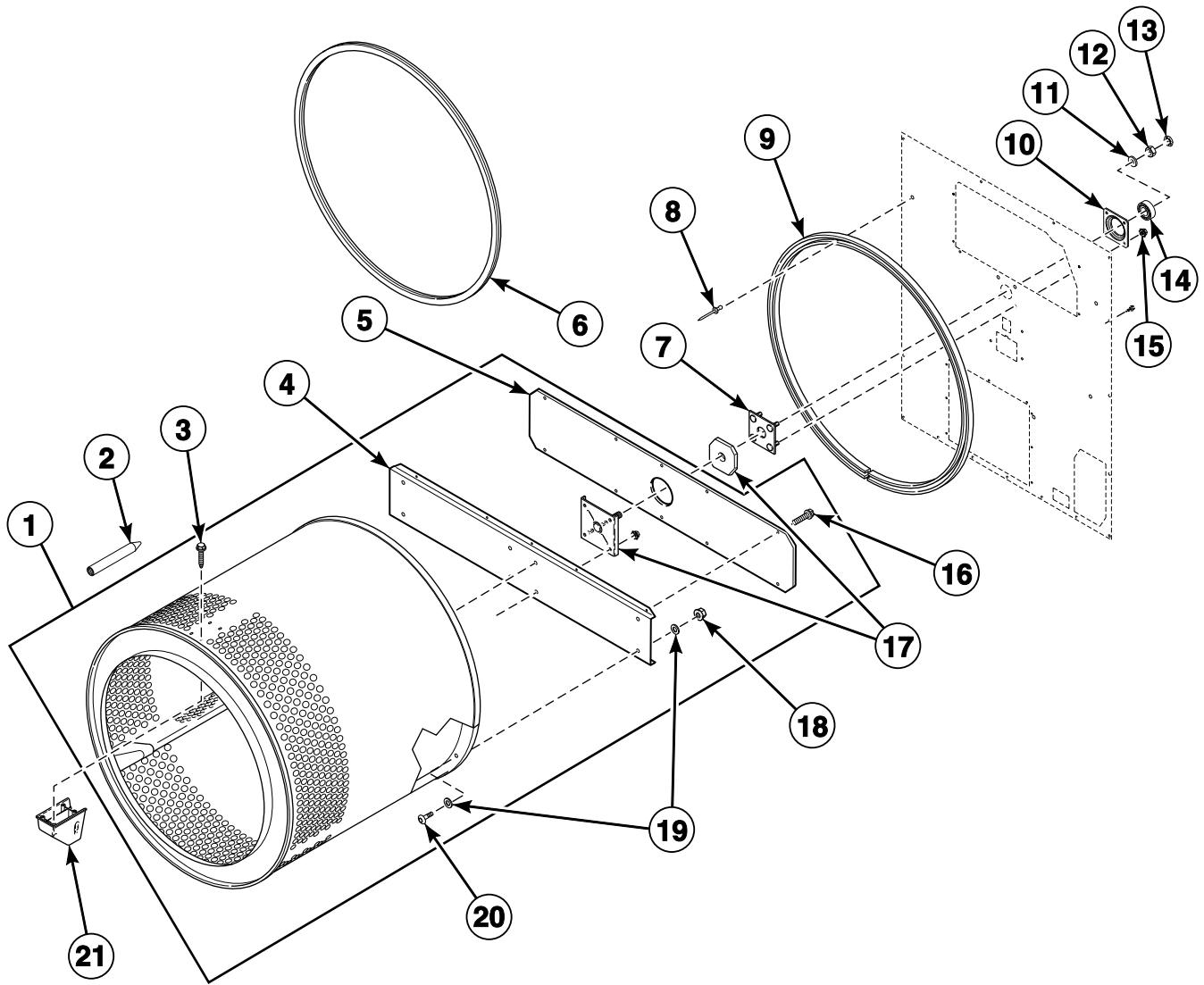
TMB2597P_70185001

Door and Hinge Components

REF	PART NO.	DESCRIPTION	COMMENTS
	70133501P	Replacement Door Handle Kit	J models
1	70212300	Door Assembly	S models
	44058001P	Door Assembly	J models
	70212200	Door Assembly	P models
2	70296801	Door Ring Gasket	
3	M414215	Nut	For door strike; Mounts between door strike screw and door handle
4	23951	Nut	
5	70115901*	Door Hinge	
	70115902	Door Hinge	Stainless steel
6	61199	Screw	
7	M400044	Screw	
8	70126201	Screw	
9	M4772P3	Cam and Hinge Kit	
10	44035001	Door Hinge Lug Assembly	
11	70033502	Screw	
12	70058501	Pop Rivet	
13	70211901P	Door Glass Seal Kit	
14	70133601P	Door Glass	J models
	M400784P	Door Glass	All other models
15	70215001P	Door Switch Actuator Kit	
16	44007902P	Door Handle	S models; Black
	M400133	Door Handle	P models
17	430757	Screw	Use with 70024801 Door Handle
	M409385	Screw	Use with 70133501 Door Handle
	M409385	Screw	Use with M400133 Door Handle
18	M400661	Screw	

* Add Letter To Designate Color. L - Almond Q - Bisque W - White

Cylinder Components

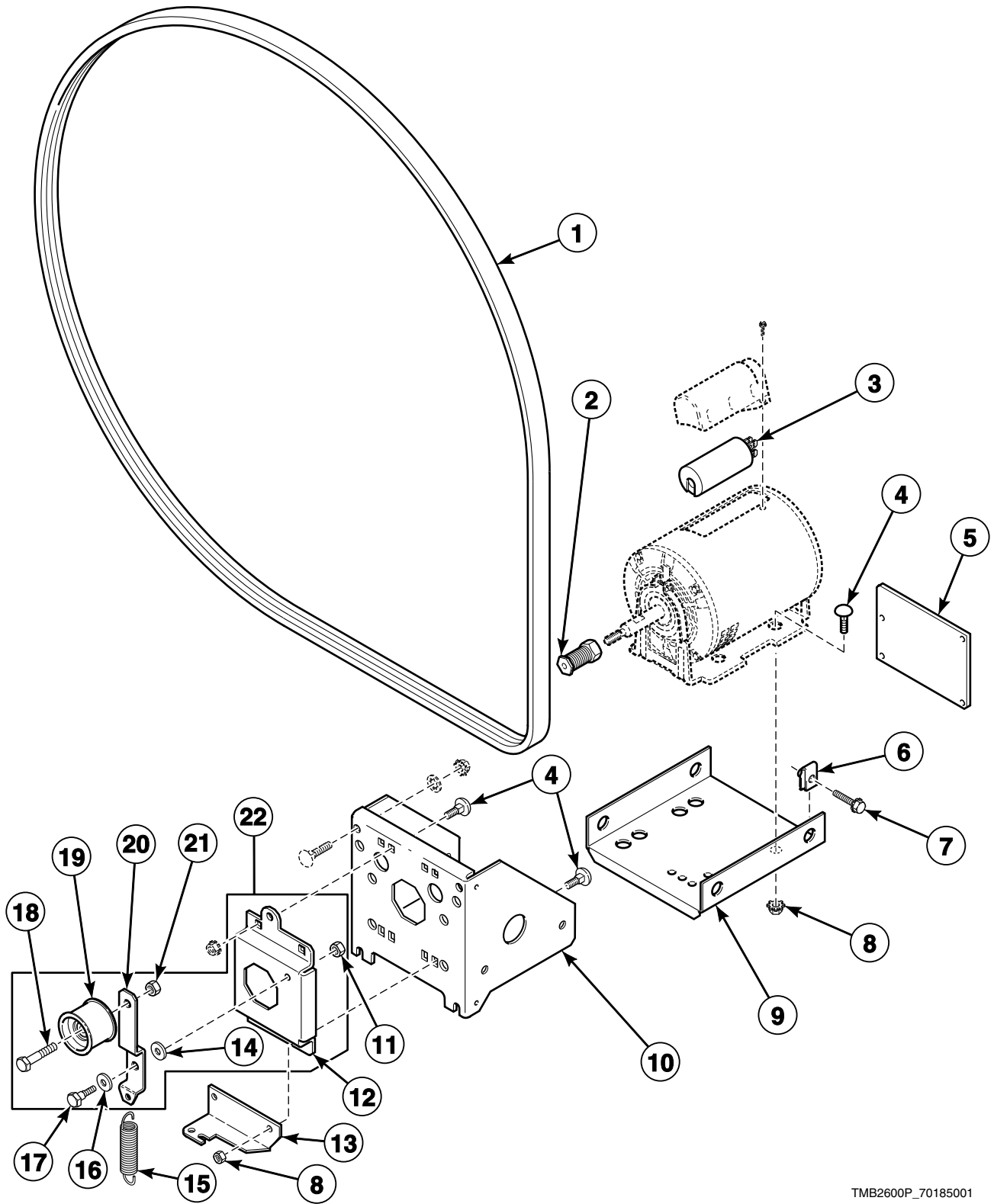


TMB2772P_70185001

Cylinder Components

REF	PART NO.	DESCRIPTION	COMMENTS
	70343101P	Drywall Screw Magnet Kit	
1	70222201P	Cylinder Kit	Galvanized
	70222202P	Cylinder Kit	Stainless steel; Includes channel; Perforated rib; Models starting Serial No. 9906019882
	70372501P	Cylinder Assembly	Galvanized; Models starting Serial No. 0001017880
	70372502P	Cylinder Assembly	Stainless steel; Models starting Serial No. 0001017880
2	263P4	Cylinder Guide Tool	
3	62588	Screw	
4	70257101	Rear Cylinder Channel	
5	70257201	Rear Cylinder Channel Plate	
6	70013701P	Rear Cylinder Seal	Use 511637P Adhesive
7	430352	Cylinder Bearing Stud Plate Assembly	
8	70058501	Pop Rivet	10 required; For cylinder seal support
9	70506402	Rear Cylinder Seal Support	
10	70013901	Rear Cylinder Bearing Housing	
11	M400991	Washer	
12	M400022	Nut	
13	M400034	Nut	
14	70448701	Support Bearing	
15	M412986	Nut	
16	430497	Screw	10 required
17	M4960P3	Trunnion and Seal Kit	
18	44087201	Nut	
19	70411301	Washer	8 required for galvanized; 4 required for stainless steel
20	70392801	Bolt	8 required
21	70070101	End Cap	Cylinder baffle

Drive Motor Components

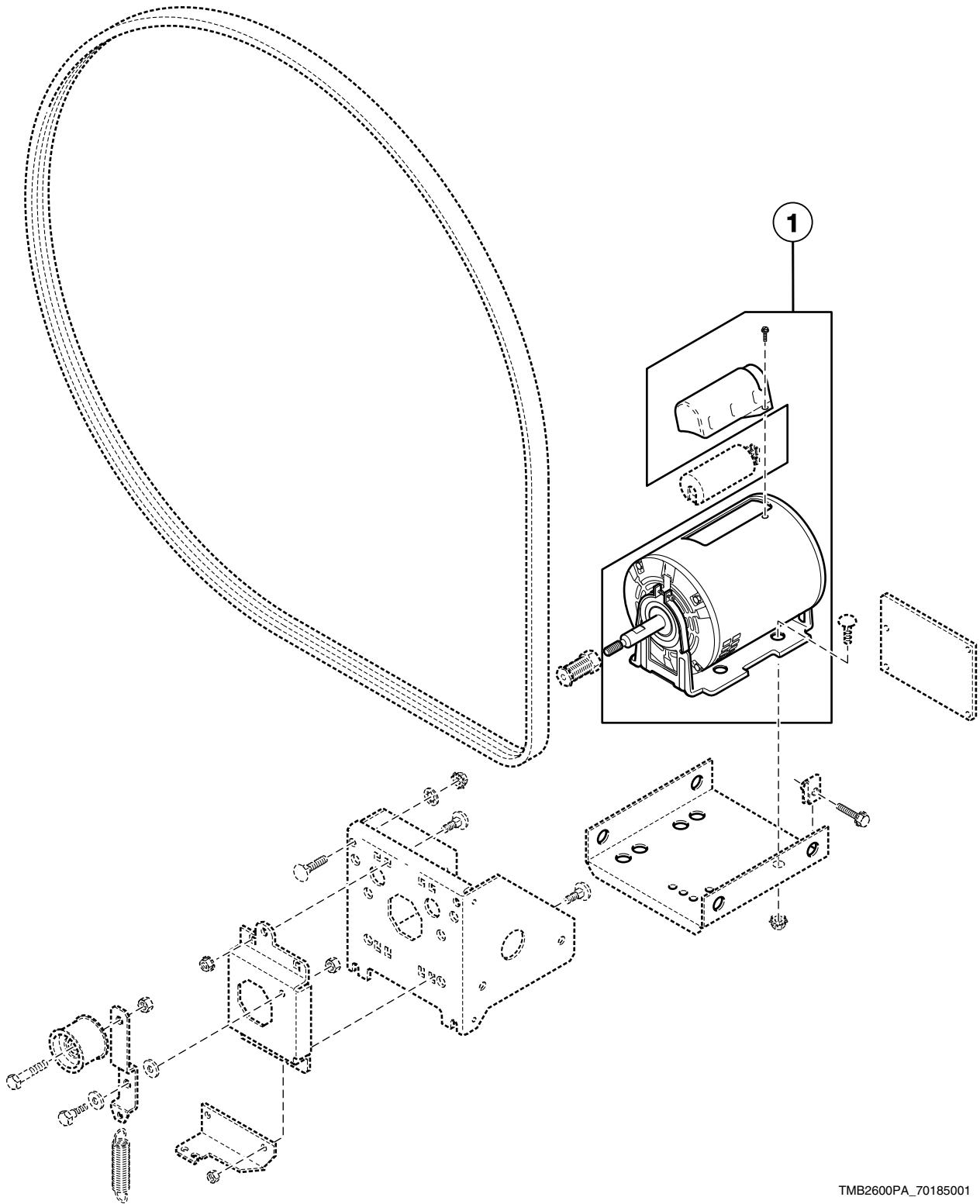


TMB2600P_70185001

Drive Motor Components

REF	PART NO.	DESCRIPTION	COMMENTS
	M4853P3	Belt Tension Tool Kit	
1	70276201P	Belt	
2	70284203	Motor Pulley	50 Hertz
	70284201	Motor Pulley	60 Hertz
3	70211401	Motor Capacitor	Run; For a 20 Amp tumbler with 70337901P Drive Motor Kit
	70211502	Motor Capacitor	Start; For a 20 Amp tumbler with 70337901P Drive Motor Kit
4	70062401	Bolt	
5	70202501	Drive Access Cover	
6	27222	Nut	
7	M412985	Screw	
8	M412986	Nut	
9	70127301	Motor Mount Bracket	
10	70261701	Motor Channel	
11	29786	Nut	
12	70261601	Cylinder Idler Bracket	
13	70443301	Idler Bracket	
14	70270301	Washer	
15	70045301	Drum Idler Spring	
16	70265901	Washer	
17	M400056	Screw	
18	430648	Screw	
19	70050401P	Idler Wheel Assembly	
20	70259901	Cylinder Idler Arm	
21	56156	Nut	
22	70275501P	Idler Assembly Service Kit	

Drive Motors

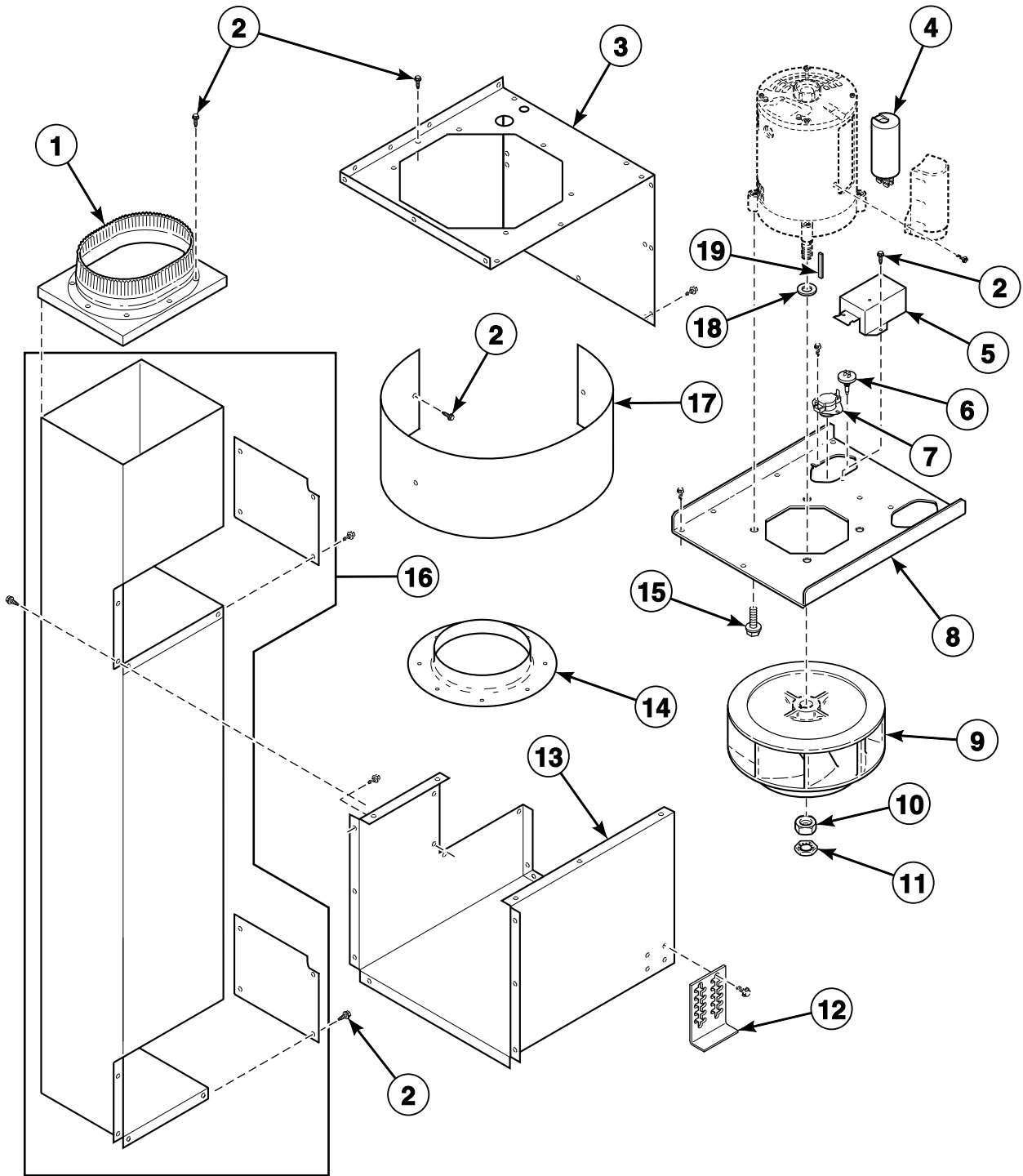


TMB2600PA_70185001

Drive Motors

REF	PART NO.	DESCRIPTION	COMMENTS
1	70337801P	Drive Motor	Gas and steam models with: 100 Volt/50 or 60 Hertz/1 Phase, 120 Volt/60 Hertz/1 Phase, 120, 208 or 240 Volt/60 Hertz/1 Phase (Models through Serial No. 9903002218 - 20 Amp motor); Electric models with: 200-208 Volt/60 Hertz/1 or 3 Phase, 200 Volt/50 Hertz/1 or 3 Phase, 240 Volt/60 Hertz/1 or 3 Phase
	70338101P	Drive Motor	Gas and steam models with: 200 Volt/50 Hertz/3 Phase, 230-240 Volt/50 Hertz/3 Phase, 240 Volt/60 Hertz/3 Phase, 380 Volt/50 Hertz/3 Phase, 460-480 Volt/60 Hertz/3 Phase; Electric models with: 380 Volt/50 Hertz/3 Phase, 400-415 Volt/50 Hertz/3 Phase, 460-480 Volt/60 Hertz/3 Phase
	70338001P	Drive Motor Kit	Gas and steam models with: 230-240 Volt/50 Hertz/1 Phase; Electric models with: 230-240 Volt/50 Hertz/1 or 3 Phase
	70337901P	Drive Motor Kit	120-240 Volt/60 Hertz/1 Phase; Low Amp

Blower and Exhaust Components



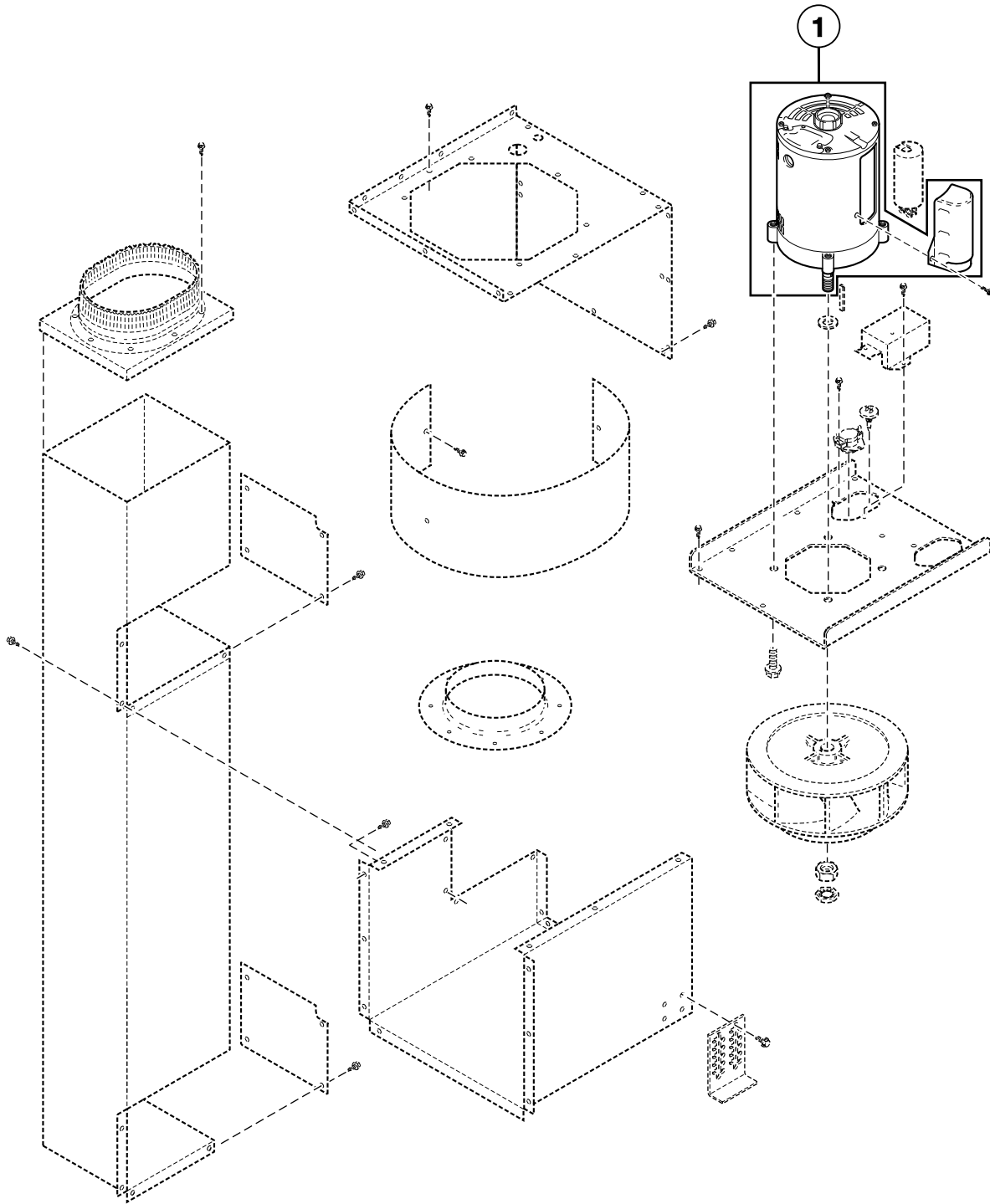
TMB2601P_70185001

Blower and Exhaust Components

REF	PART NO.	DESCRIPTION	COMMENTS
	70056201	Exhaust Damper	Models through Serial No. 9903028339
	70017801	Exhaust Thimble	6 inch; Models through Serial No. 9903028339
	21899	Nut	For duct manifold; Models through Serial No. 9903028339
1	70207501	Duct Cover	Models starting Serial No. 9903028340
2	430497	Screw	
3	70299201	Blower Housing Cover Assembly	
4	70211501	Motor Capacitor	For a 20 Amp tumbler with 70337601P Blower Motor Kit
5	70112801	Thermistor Cover	
6	M414704	Thermistor	
7	M411945	Manual Reset Thermostat	JA and SA models
	M411307	Limit Thermostat	All other models
8	N/A	Blower Motor Mounting Plate	
9	70359801P	Blower Assembly	
10	M400022	Nut	
11	M400034	Nut	
12	70200301	Rear Stabilizer Bracket	
13	70218001	Blower Housing	
14	70014101	Blower Inlet Cone	
15	70126101	Screw	
16	70246201	Exhaust Duct Assembly	
17	70218101	Blower Housing Scroll	
18	70017401	Washer	
19	70144101	Key	

N/A = Part no longer available

Blower Motors

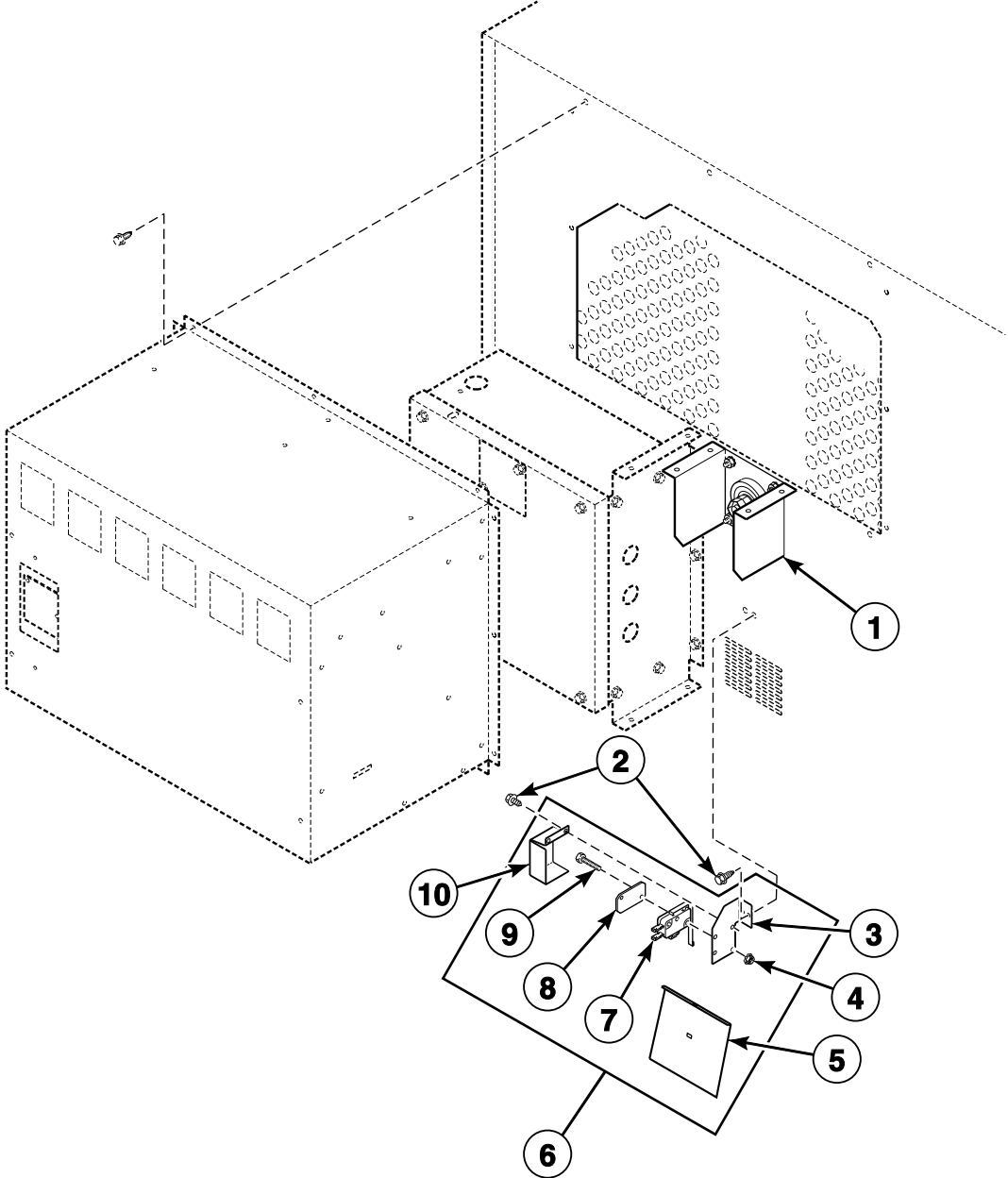


TMB2601PA_70185001

Blower Motors

REF	PART NO.	DESCRIPTION	COMMENTS
1	70337501P	Blower Motor	Gas and steam models through Serial No. 9903002218 with: 100 Volt/50 or 60 Hertz/1 Phase, 120 Volt/60 Hertz/1 Phase; Electric models with: 200-208 Volt/60 Hertz/1 or 3 Phase, 200 Volt/50 Hertz/1 or 3 Phase, 240 Volt/60 Hertz/1 or 3 Phase
	70342601P	Blower Motor	Gas and steam models with: 200 Volt/50 Hertz/3 Phase, 230-240 Volt/50 Hertz/3 Phase, 230 Volt/50 Hertz/3 Phase, 240 Volt/60 Hertz/3 Phase, 380 Volt/50 Hertz/3 Phase, 460-480 Volt/60 Hertz/3 Phase; Electric models with: 380 Volt/50 Hertz/3 Phase, 400-415 Volt/50 Hertz/3 Phase, 460-480 Volt/60 Hertz/3 Phase
	70337701P	Blower Motor Kit	Gas and steam models with: 230-240 Volt/50 Hertz/1 Phase; Electric models with: 230-240 Volt/50 Hertz/1 or 3 Phase
	70337601P	Blower Motor Kit	Gas and steam models with: 120, 208 or 240 Volt/60 Hertz/1 Phase (Models starting Serial No. 9903002218 - 20 Amp motor)

Airflow Switch Components



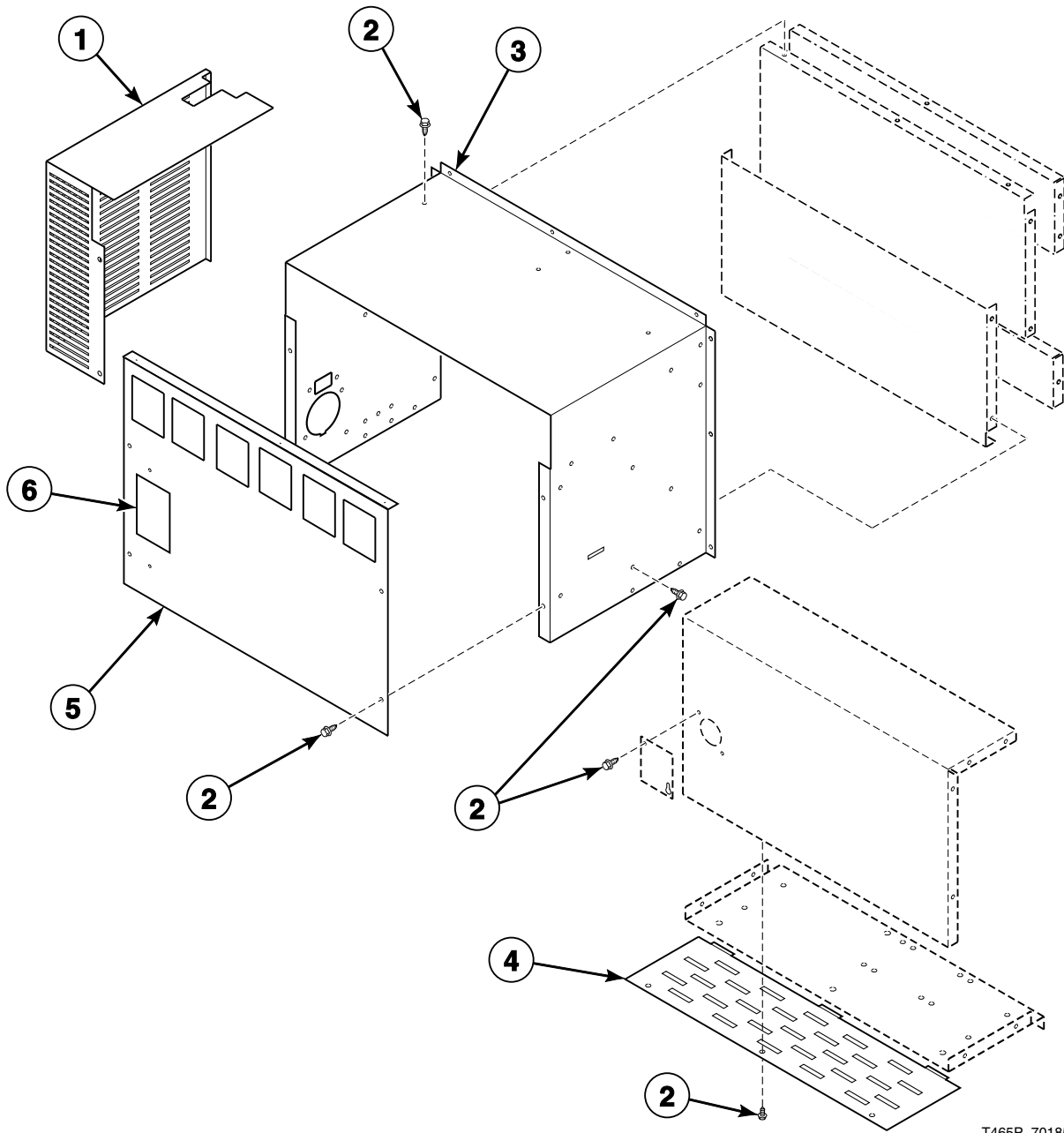
TMB2976P_70185001

Airflow Switch Components

REF	PART NO.	DESCRIPTION	COMMENTS
1	N/A	Bearing Housing Bracket	Rear
2	430497	Screw	
3	70266301	Airflow Switch Bracket	
4	M400979	Nut	
5	70266201	Airflow Switch Vane	
6	70270901P	Airflow Switch Kit	
7	70267301	Airflow Switch	
8	70271601	Airflow Switch Plate	
9	M401938	Screw	
10	70281801	Airflow Switch Cover	

N/A = Part no longer available

Gas Burner Housing



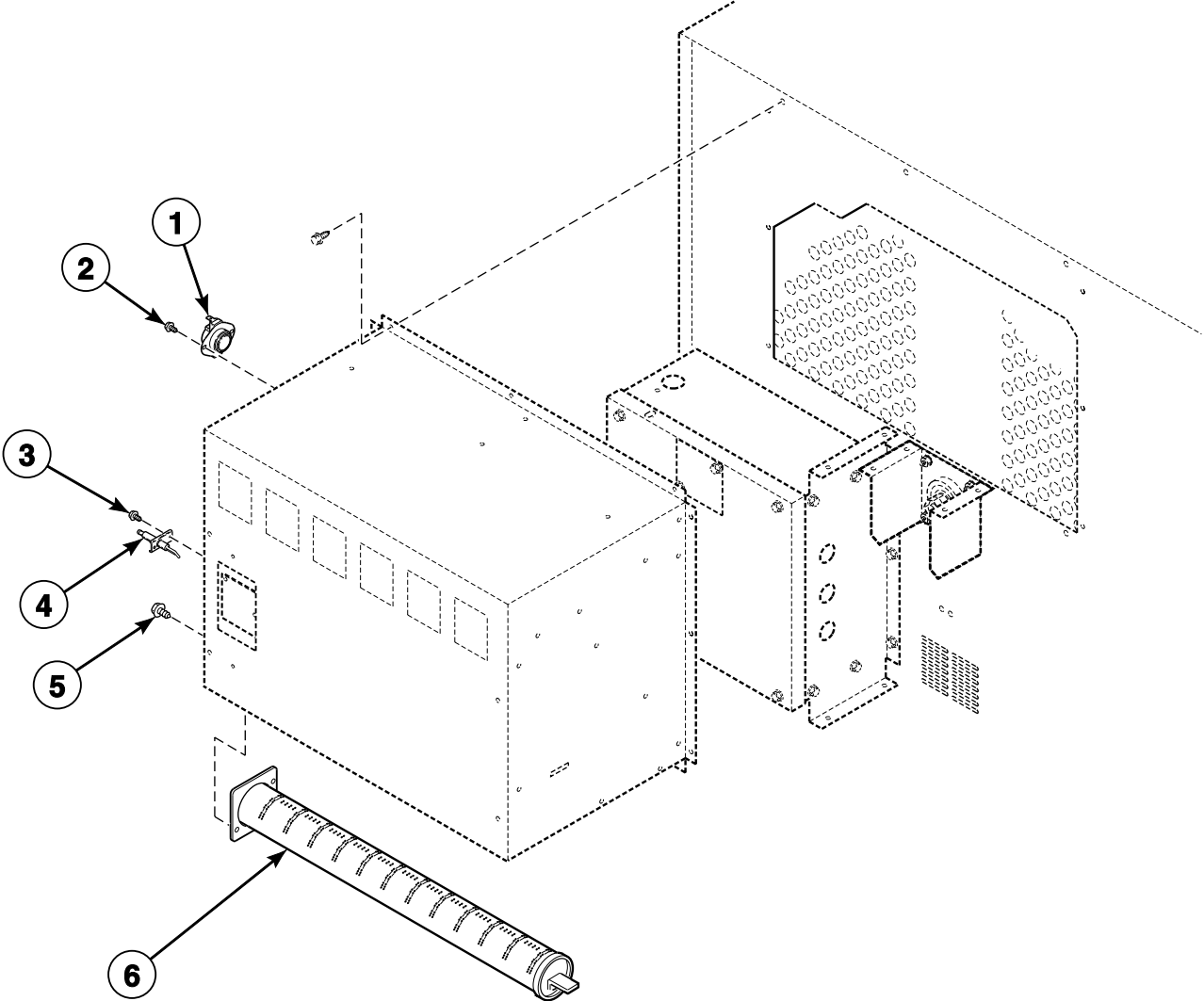
T465P_70185001

Gas Burner Housing

REF	PART NO.	DESCRIPTION	COMMENTS
1	M4747P3	Valve Bracket and Cover Kit	Upper; FG models through Serial No. 9807017397
	70133401	Gas Valve Cover	Lower; FG models through Serial No. 9807017397
	M4746P3	Valve Bracket and Cover Kit	RG models starting Serial No. 9807017398
2	430497	Screw	
3	N/A	Stove Top and Sides	
4	70188801	Burner Grill	
5	70183001	Stove Back	
6	70159601	Igniter Cover	

N/A = Part no longer available

Gas Burner Components

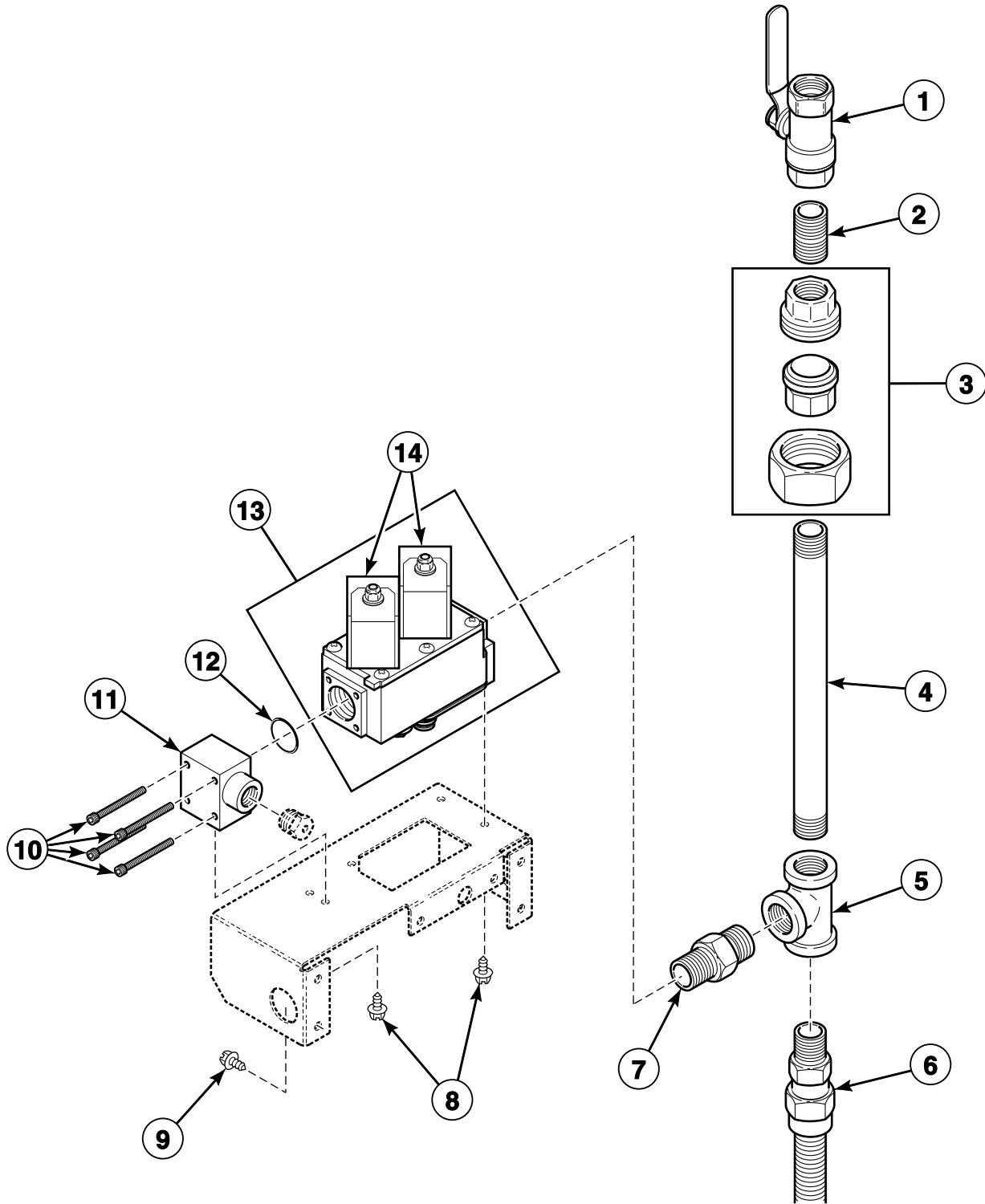


TMB2975P_70185001

Gas Burner Components

REF	PART NO.	DESCRIPTION	COMMENTS
	70184001	Gas Valve Harness	
	M4733P3	N.G. Valve Conversion Kit	FG models; Original burner is replaced by M4729P3 Down Rated Burner Kit on FG models
1	70186301	Manual Reset Thermostat	JA and SA models
	M409219	Limit Thermostat	All other models
2	M402797	Screw	
3	430497	Screw	
4	70032801P	Spark Electrode	
5	05161	Screw	
6	70229801P	Gas Burner	RG models starting Serial No. 980717398; Downrated FG models

Gas Valve and Piping



TMB2603P_70185001

Gas Valve and Piping

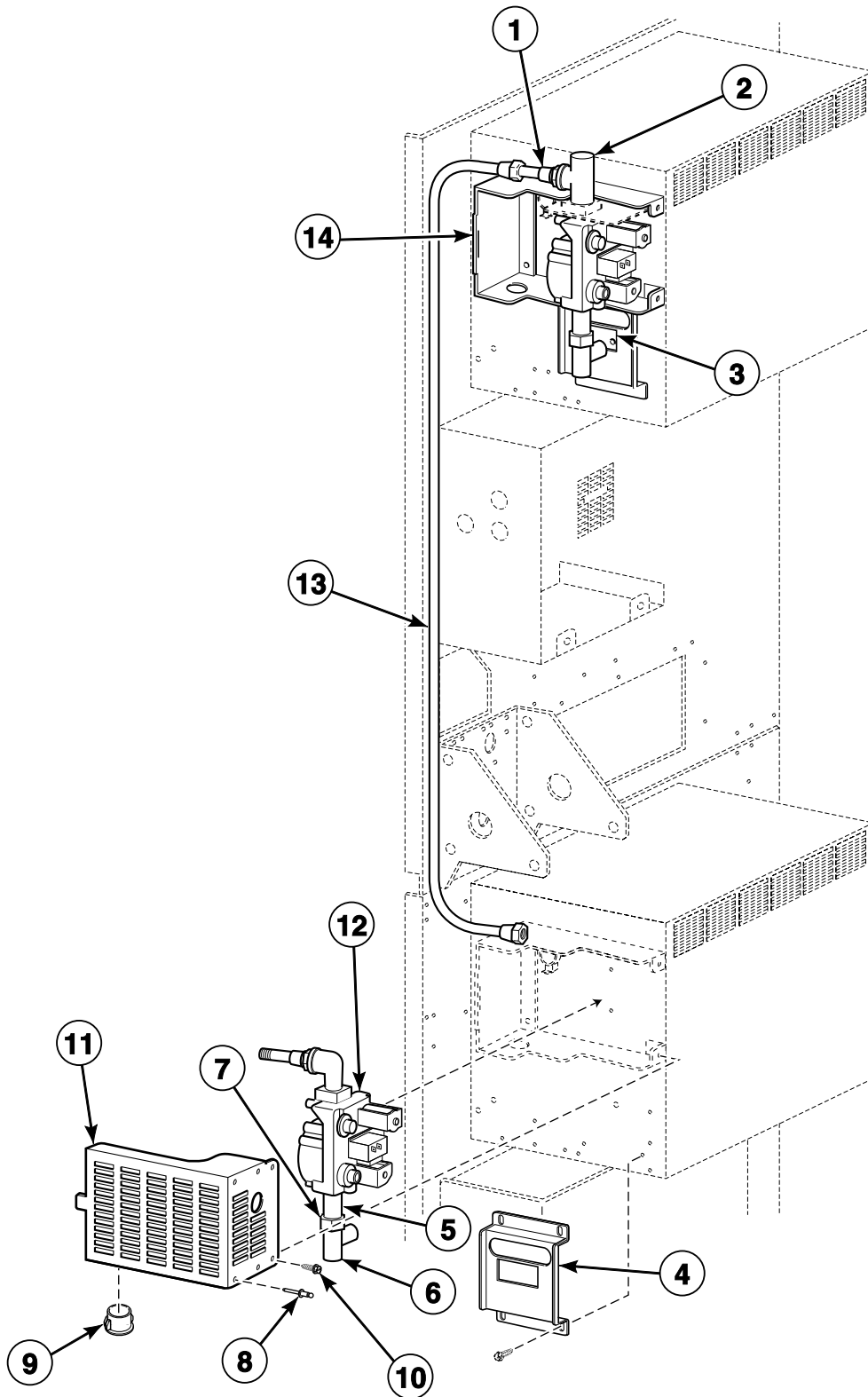
REF	PART NO.	DESCRIPTION	COMMENTS
	70184001	Gas Valve Harness	
	70079601	Elbow	90 degree; Lower unit
	M4707P3	L.P. Conversion Kit	RG models; 0-2,000 feet; Contains parts to convert both gas valves; For models with 176,000 Btu input order 2 of M4729P3 Down Rated Burner Kit in addition to the M4707P3 L.P. Conversion Kit. See Note.
	M4733P3	N.G. Valve Conversion Kit	FG models; Regulated
	M4734P3	L.P. Valve Conversion Kit	FG models; Unregulated
1	M412562P	Gas Shut-Off Valve	Upper unit
2	F420101	Nipple	
3	H86000031	Union	Upper unit
4	N/A	Pipe Nipple	9.5; Upper unit
5	70071801	Tee	Upper unit
6	N/A	Gas Connector Assembly	Lower to upper gas valve; Models through Serial No. 9903028339
	70203601	Gas Line Assembly	Models starting Serial No. 9903028339
7	N/A	Adapter	BPT to NPT; 2 required
8	23222	Screw	
9	430497	Screw	
10	431484	Screw	
11	70223501	Spud Adapter	
12	431482	O-Ring	Spud adapter to valve
13	70457301P	N.G. Valve	
	70457302P	L.P. Valve	
14	70260101	Gas Valve Coil	24 Volt

N/A = Part no longer available

NOTE: For altitudes higher than 2,000 feet refer to Installation Manual for proper orifices.

Gas Valve Assembly

Models Starting Serial No. 0209009567



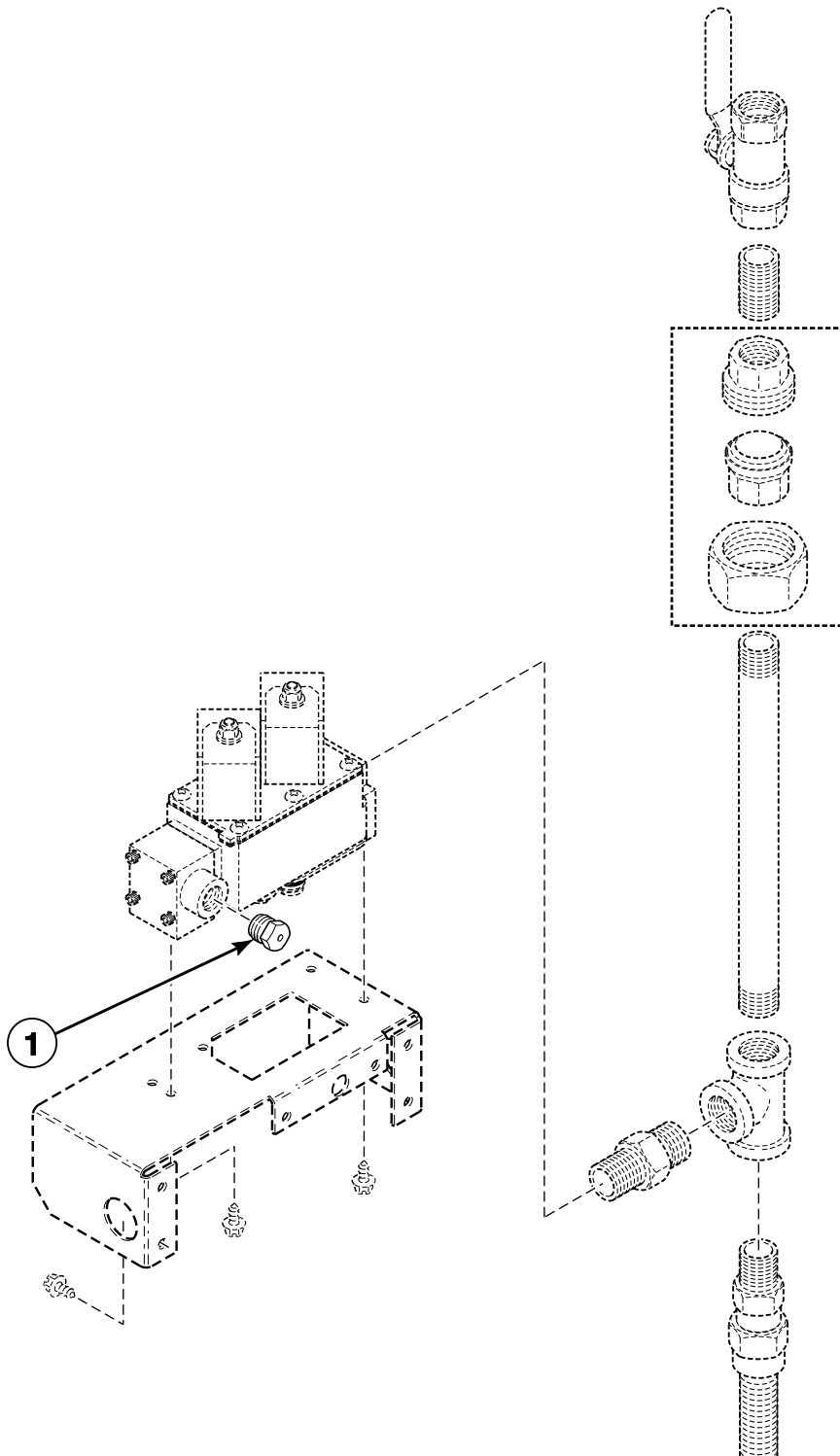
TMB2027P_70185001

Gas Valve Assembly

REF	PART NO.	DESCRIPTION	COMMENTS
1	70262601	Pipe	
2	70267501	Pipe Tee	
3	70249001	Orifice Keeper Bracket	
4	70248901	Orifice Holder Bracket	
5	70435901P	Orifice Adapter	
6	70297801	Orifice Adapter	
7	M401548	Nut	
8	70058501	Pop Rivet	
9	M400770	Snap Bushing	
10	430497	Screw	
11	70282401	Rear Valve Cover	
12	44154501P	Gas Valve	Natural Gas (N.G.)
	44154502P	Gas Valve	Liquid Petroleum Gas (L.P.)
13	70281601	Tube	
14	70282301	Forward Valve Cover	

Burner Orifices

FG and RG Models



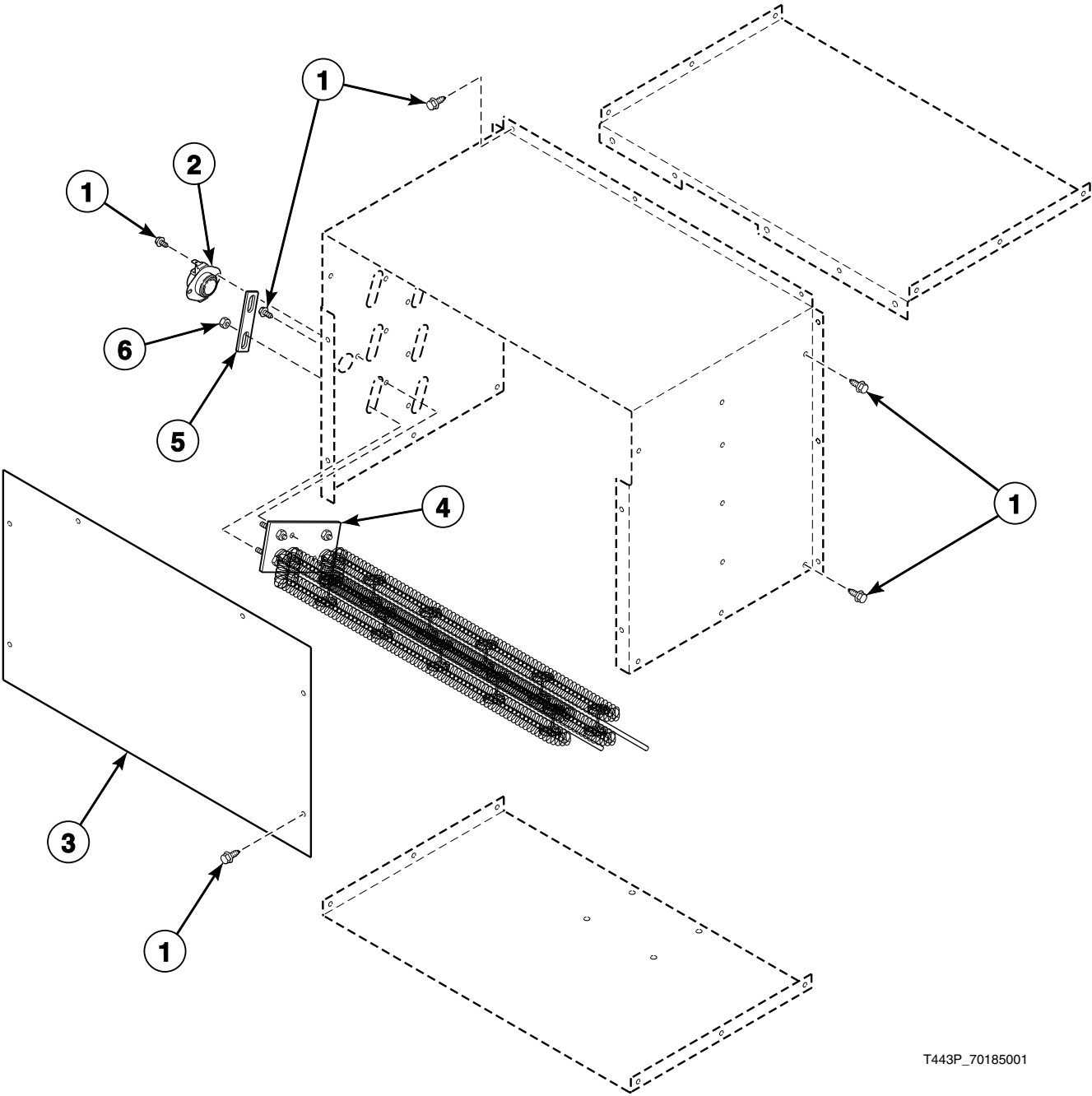
TMB1999PA_70185001

Burner Orifices

REF	PART NO.	DESCRIPTION	COMMENTS
1	70070902	Burner Orifice	Liquid Petroleum Gas (L.P.); FG models; 0-2,000 feet; 7/64 (2.8 mm)
	M411375	Burner Orifice	L.P.; FG models; 2,001-4,000 feet; Drill no. 36 (2.7 mm)
	N/A	Burner Orifice	L.P.; FG models; 4,001-6,000 feet; Drill no. 37 (2.6 mm)
	M411376	Burner Orifice	L.P.; FG models; 6,001-8,000 feet; Drill no. 38 (2.6 mm)
	M406361	Burner Orifice	L.P.; FG models; 8,001-10,000 feet; Drill no. 40 (2.5 mm)
	M411511	Burner Orifice	Natural Gas (N.G.); FG models; 0-2,000 feet; Drill no. 15 (4.6 mm)
	M411373	Burner Orifice	N.G.; FG models; 2,001-4,000 feet; Drill no. 16 (4.5 mm)
	M411374	Burner Orifice	N.G.; FG models; 4,001-6,000 feet; Drill no. 17 (4.4 mm)
	M402995	Burner Orifice	N.G.; FG models; 6,001-8,000 feet; Drill no. 19 (4.2 mm)
	M401002	Burner Orifice	N.G.; FG models; 8,001-10,000 feet; Drill no. 20 (4.1 mm)
	M406361	Burner Orifice	L.P.; RG models; 0-2,000 feet; Drill no. 40 (2.5 mm)
	M403017	Burner Orifice	L.P.; RG models; 2,001-6,000 feet; Drill no. 42 (2.4 mm)
	M406184	Burner Orifice	L.P.; RG models; 6,001-8,000 feet; Drill no. 43 (2.3 mm)
	M401011	Burner Orifice	L.P.; RG models; 8,001-10,000 feet; Drill no. 44 (2.2 mm)
	M401002	Burner Orifice	N.G.; RG models; 0-2,000 feet; Drill no. 20 (4.1 mm)
	M402996	Burner Orifice	N.G.; RG models; 2,001-4,000 feet; Drill no. 22 (4.0 mm)
	M402980	Burner Orifice	N.G.; RG models; 4,001-6,000 feet; Drill no. 24 (3.9 mm)
	M401000	Burner Orifice	N.G.; RG models; 6,001-8,000 feet; Drill no. 26 (3.7 mm)
	M401014	Burner Orifice	N.G.; RG models; 8,001-10,000 feet; Drill no. 28 (3.6 mm)

N/A = Part no longer available

Electric Heater Components

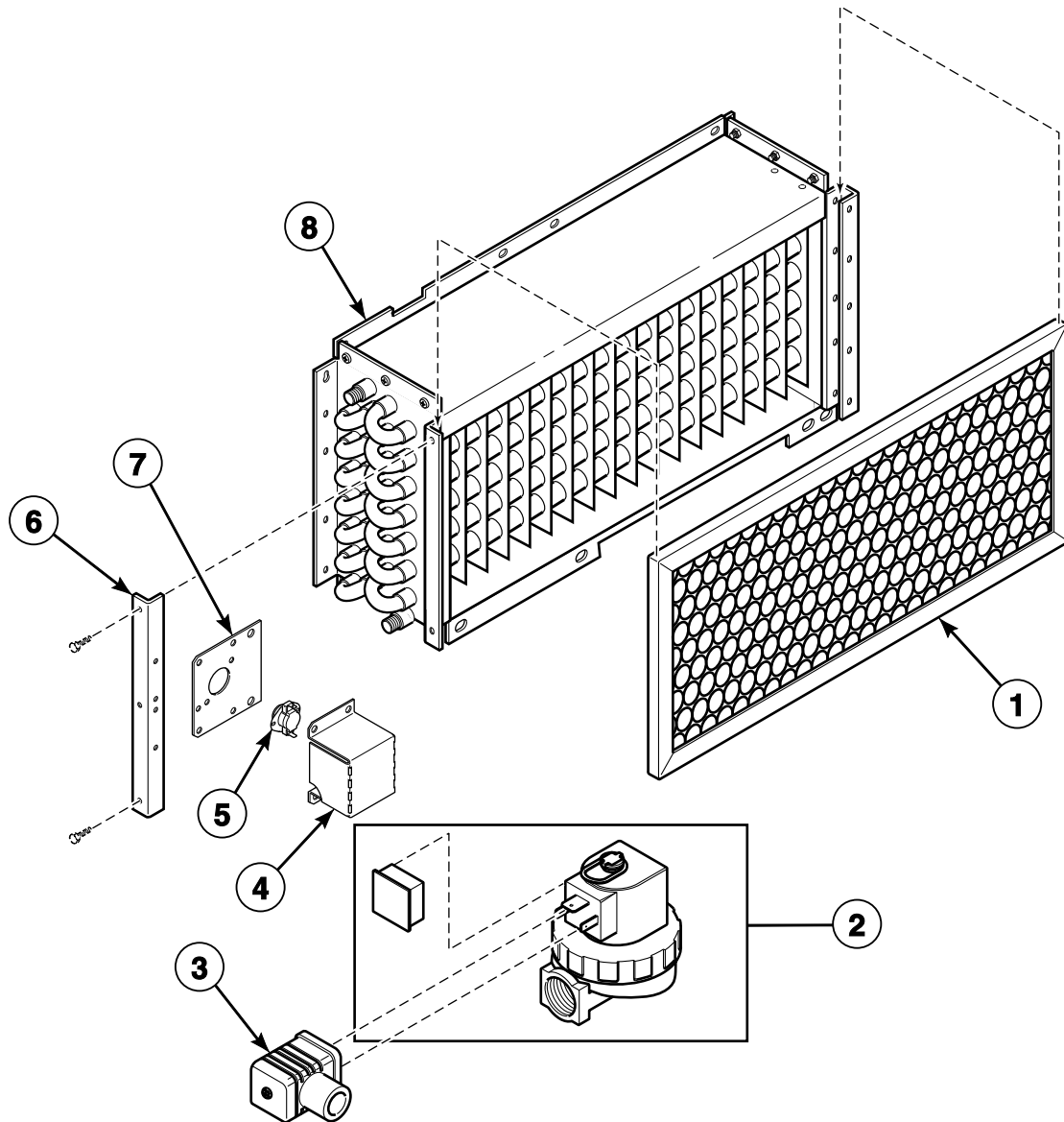


T443P_70185001

Electric Heater Components

REF	PART NO.	DESCRIPTION	COMMENTS
1	430497	Screw	
2	M410220	Limit Thermostat	
3	70214901	Stove Grill	
4	70034401P	Heater Element	7 kW; 208 Volt
	70034402P	Heater Element	7 kW; 220-380 Volt
	70034403P	Heater Element	7 kW; 230, 240, 415 or 480 Volt
5	M400869	Jumper Strip	
6	Q6163	Nut	

Steam Heater Components

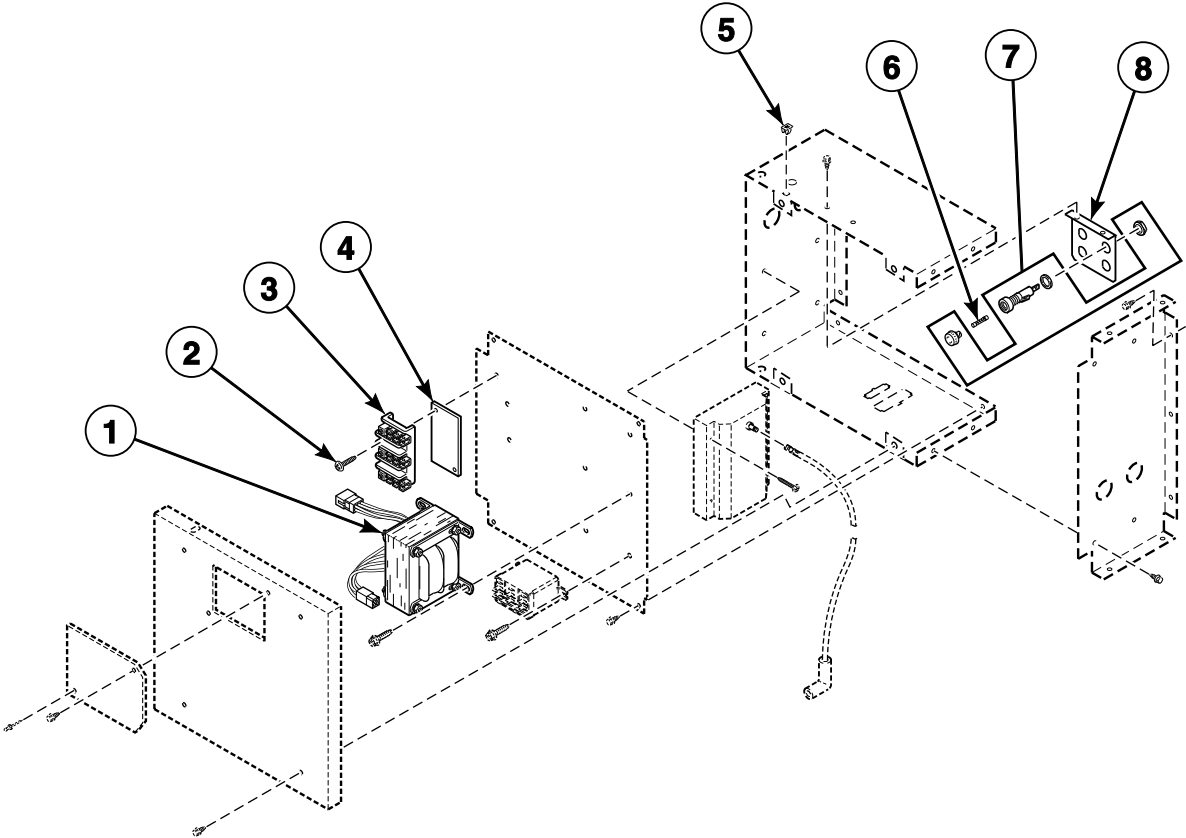


TMB2604P_70185001

Steam Heater Components

REF	PART NO.	DESCRIPTION	COMMENTS
	F8379502	Valve Rebuild Kit	Use with F8322902 Steam Valve
	F8382301	DIN Valve Adapter Kit	Use with F8322902 Steam Valve
1	70036001	Air Filter	
2	F8521701	DIN Valve Kit	60 Hertz; Parker
	F8322902	Steam Valve	60 Hertz; Asco
	F8322903	Steam Valve	50 Hertz; Asco
3	70370301P	Solenoid Valve DIN Connector	
4	70139901	Thermostat Cover	
5	M409443	Limit Thermostat	
6	70369301	Steam Filter Holder	
7	70137801	Thermostat Bracket	
8	70231201P	Steam Coil	2 row; SL models
	70231301P	Steam Coil	4 row; SH models
	F8514801	Valve Coil	Use with F8322902 Steam Valve

Rear Control Box - Gas Non-CE Models (Drawing 1 of 2)

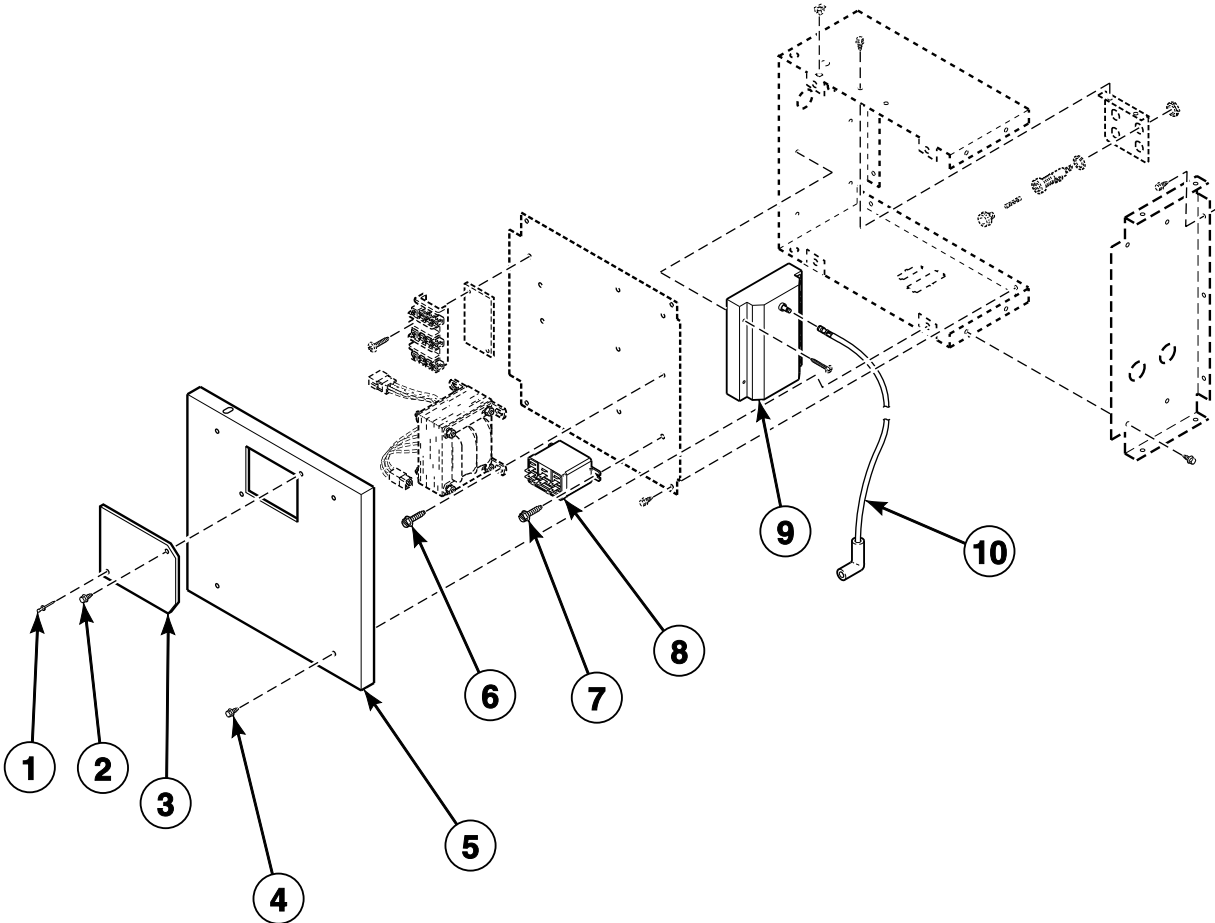


TMB2369P_70185001

Rear Control Box - Gas Non-CE Models (Drawing 1 of 2)

REF	PART NO.	DESCRIPTION	COMMENTS
	M413505	Jumper Harness Assembly	120 Volt/50 or 60 Hertz/1 Phase; OM and RM control suffixes
	M413504	Jumper Harness Assembly	100 Volt/50 or 60 Hertz/1 Phase
	M413510	Jumper Configuration Assembly	480 Volt/60 Hertz/3 Phase
	M413509	Jumper Harness Assembly	415 Volt/50 Hertz/3 Phase
	M413508	Jumper Harness Assembly	380 Volt/50 Hertz/3 Phase
	M413506	Jumper Harness Assembly	208 Volt/60 Hertz/1 or 3 Phase
	70067001P	High Limit Harness	
	70204501	Main Remote Interface Harness Assembly	
	70083201	Ignition Control Harness Assembly	DT, JT, LT, NT, PT and ST models
	70083301P	Ignition Control Harness	JA and SA models
	70204601	Junction Box Harness Assembly	
	70084001	Jumper Bypass Assembly	MT and OM control suffixes
	M413431	Pushbutton Switch	JA and SA models
	70084801P	Interlock Harness Assembly	
1	M414312P	Transformer	120 Volt/60 Hertz/1 Phase; NC, NR, NX, NY, ZC, ZR, ZX and ZY control suffixes
	M414230P	Transformer	120 Volt/60 Hertz/1 Phase; All other control suffixes
	M414228P	Transformer	200-240 Volt/60 Hertz/3 Phase; 200-240 Volt/50 Hertz/1 or 3 Phase
	M414229P	Transformer	380-480 Volt/50 or 60 Hertz/3 Phase
2	M405824	Screw	
3	430642	Terminal Block	
4	M413862	Insulator	
5	70030501	Expansion Clip	
6	M414240	Fuse	2 Amp; 100 Volt
	M413118	Fuse	2 Amp; 120 to 240 Volt
	M413621	Fuse	0.5 Amp; 380 Volt and higher
	M414232	Fuse	3.5 Amp; All other voltages
7	91024P	Fuse Receptacle	
	M413544P	Fuse Holder	380 Volt and higher
8	70086301	Fuse Bracket	Low voltage
	70086401	Fuse Bracket	380 Volt and higher

Rear Control Box - Gas Non-CE Models (Drawing 2 of 2)



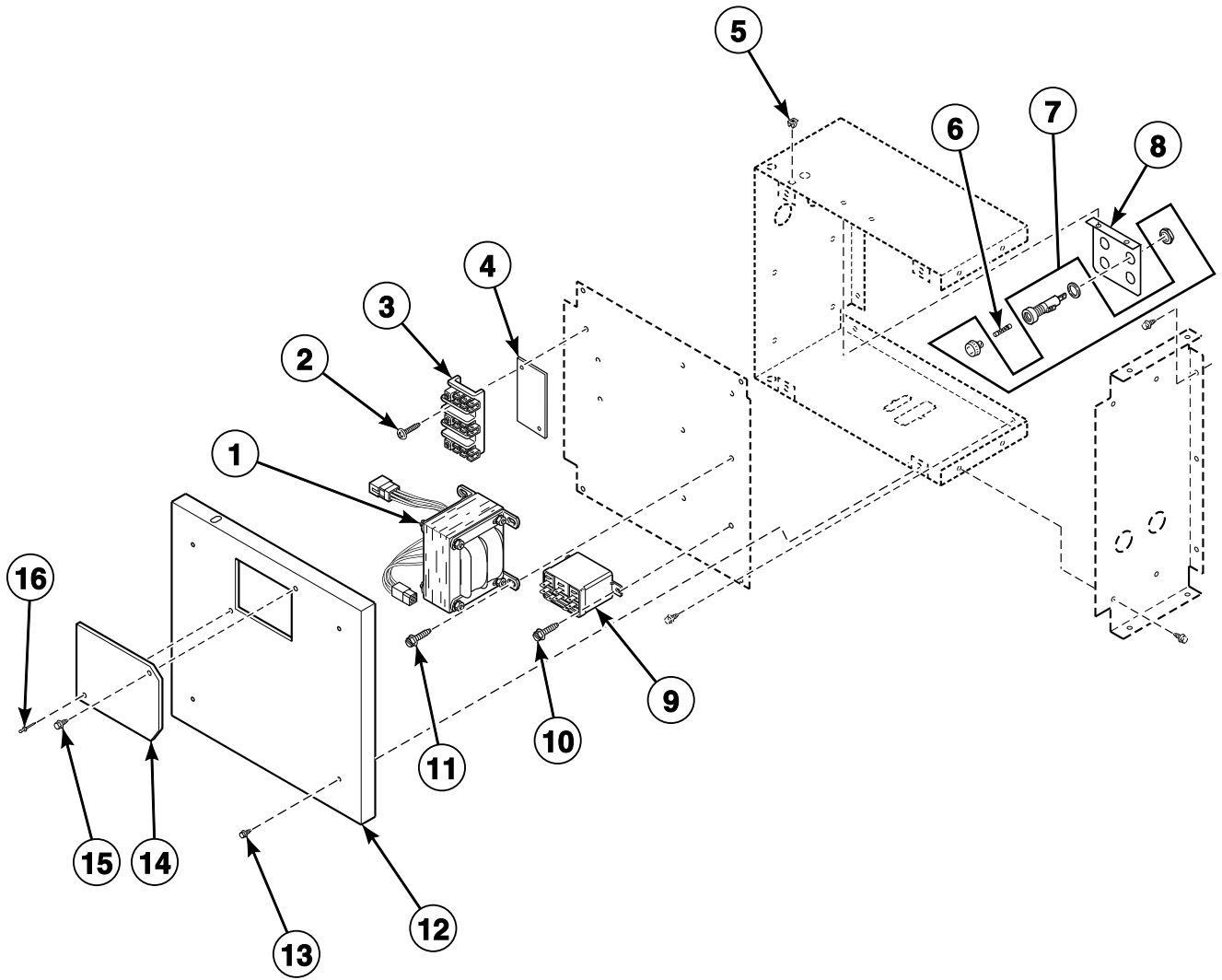
TMB2369PA_70185001

Rear Control Box - Gas Non-CE Models (Drawing 2 of 2)

REF	PART NO.	DESCRIPTION	COMMENTS
1	70058501	Pop Rivet	
2	51780	Screw	
3	N/A	Fuse Cover	
4	430497	Screw	
5	N/A	Junction Box Cover	
6	M411072	Screw	
7	51778	Screw	For relay
	51780	Screw	For contactor
8	70210901P	Relay	1 Phase
	M413614P	Fan Contactor	3 Phase
9	70483201P	Ignition Control	JA and SA models
	70367301P	Ignition Control	60 Hertz; All other models
10	70006201	High Voltage Lead	

N/A = Part no longer available

Rear Control Box - Steam Non-CE Models



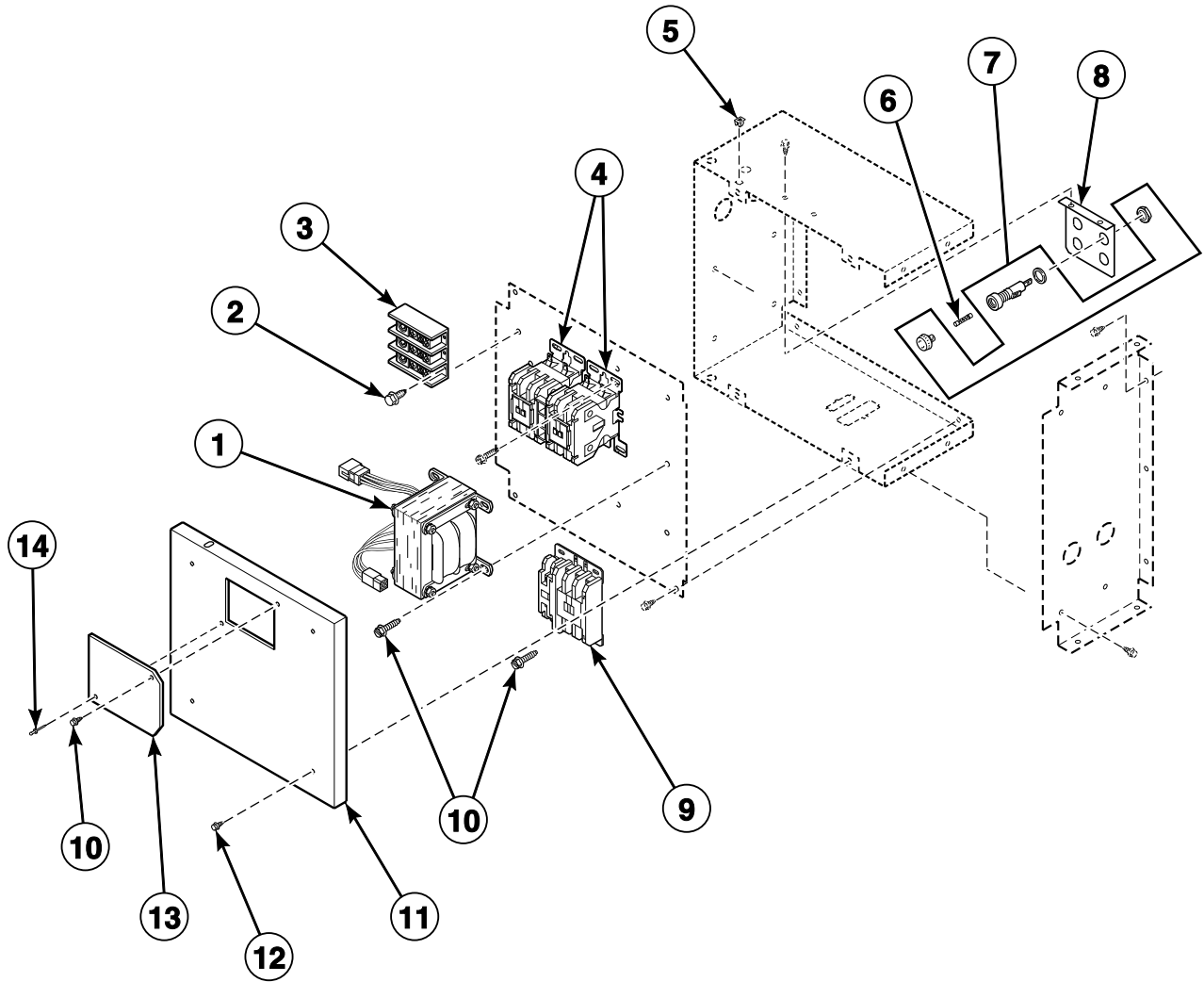
TMB2370P_70185001

Rear Control Box - Steam Non-CE Models

REF	PART NO.	DESCRIPTION	COMMENTS
	M413505	Jumper Harness Assembly	120 Volt/50 or 60 Hertz/1 Phase; OM and RM control suffixes
	M413504	Jumper Harness Assembly	100 Volt/50 or 60 Hertz/1 Phase
	M413510	Jumper Configuration Assembly	480 Volt/60 Hertz/3 Phase
	M413509	Jumper Harness Assembly	415 Volt/50 Hertz/3 Phase
	M413508	Jumper Harness Assembly	380 Volt/50 Hertz/3 Phase
	70067001P	High Limit Harness	
	70204501	Main Remote Interface Harness Assembly	
	70113101	Steam Jumper Assembly	
	70204601	Junction Box Harness Assembly	
	70084001	Jumper Bypass Assembly	MT and OM control suffixes
1	M414312P	Transformer	120 Volt/60 Hertz/1 Phase; NC, NR, NX, NY, ZC, ZR, ZX and ZY control suffixes
	M414230P	Transformer	120 Volt/60 Hertz/1 Phase; All other control suffixes
	M414228P	Transformer	200-240 Volt/60 Hertz/3 Phase; 200-240 Volt/50 Hertz/1 or 3 Phase
	M414229P	Transformer	380-480 Volt/50 or 60 Hertz/3 Phase
2	M405824	Screw	
3	430642	Terminal Block	
4	M413862	Insulator	
5	70030501	Expansion Clip	
6	M414240	Fuse	2 Amp; 100 Volt
	M413118	Fuse	2 Amp; 120 to 240 Volt
	M413621	Fuse	0.5 Amp; 380 Volt and higher
	M414232	Fuse	3.5 Amp; All other voltages
7	91024P	Fuse Receptacle	
	M413544P	Fuse Holder	380 Volt and higher
8	70086301	Fuse Bracket	Low voltage
	70086401	Fuse Bracket	380 Volt and higher
9	70210901P	Relay	1 Phase
	M413614P	Fan Contactor	3 Phase
10	51778	Screw	For relay
	51780	Screw	For contactor
11	M411072	Screw	
12	N/A	Junction Box Cover	
13	430497	Screw	
14	N/A	Fuse Cover	
15	51780	Screw	
16	70058501	Pop Rivet	

N/A = Part no longer available

Rear Control Box - Electric Non-CE Models



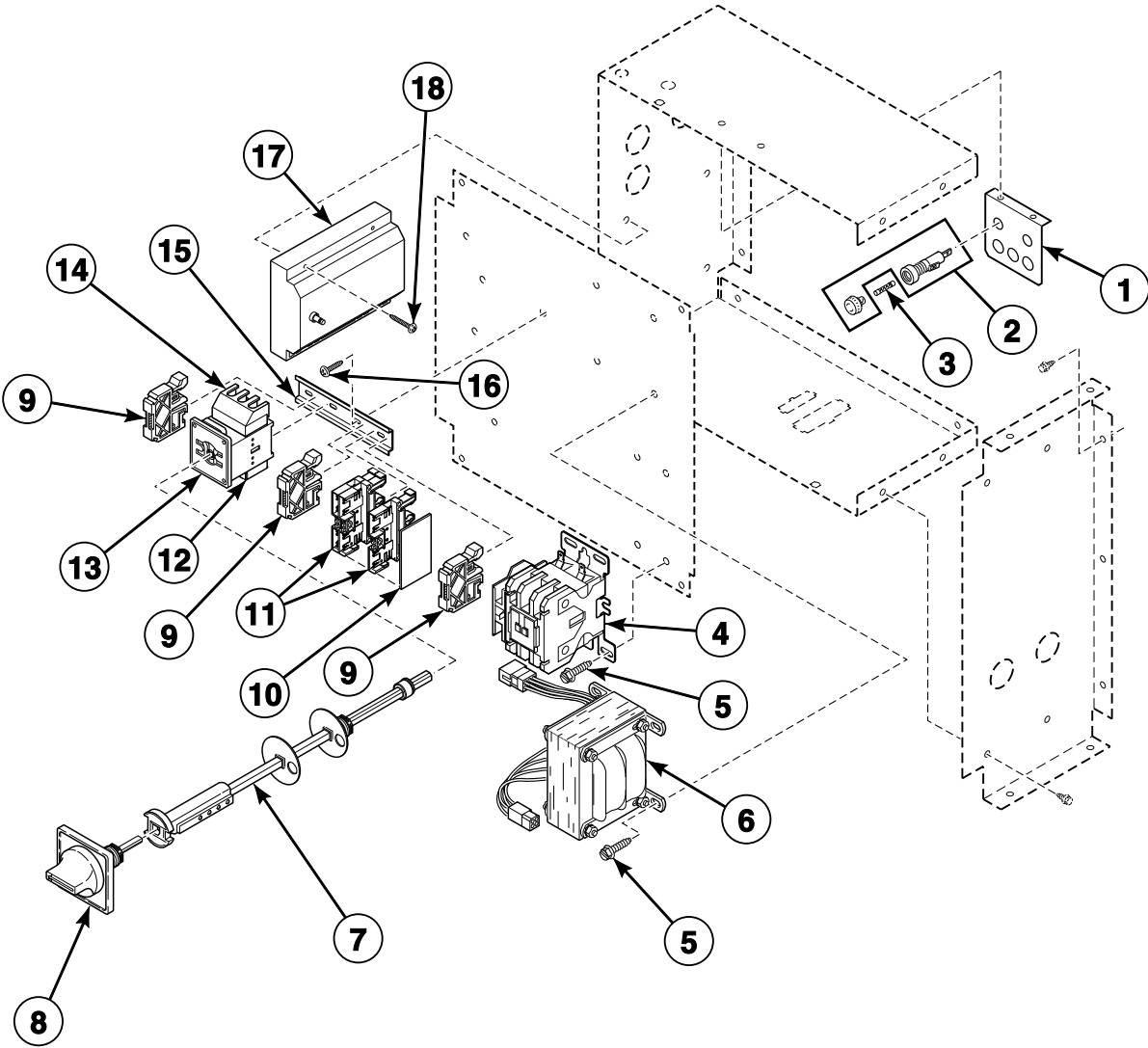
TMB2371P_70185001

Rear Control Box - Electric Non-CE Models

REF	PART NO.	DESCRIPTION	COMMENTS
	M413510	Jumper Configuration Assembly	480 Volt/60 Hertz/3 Phase
	M413509	Jumper Harness Assembly	415 Volt/50 Hertz/3 Phase
	M413508	Jumper Harness Assembly	380 Volt/50 Hertz/3 Phase
	M413506	Jumper Harness Assembly	208 Volt/60 Hertz/1 or 3 Phase
	70067001P	High Limit Harness	
	70204501	Main Remote Interface Harness Assembly	
	44129201P	Jumper Harness	200-240 Volt
	70139101	Jumper Assembly	11 inches; 1 Phase; 8 gauge
	M413933	Jumper Cable Assembly	7.5 inches; 200-240 Volt; 8 gauge; 2 required for 1 Phase; 3 required for 3 Phase
	70139001	Jumper Assembly	10 inches; 200-240 Volt; 8 gauge; 2 required for 1 Phase; 3 required for 3 Phase
	70236001	Junction Box Harness Assembly	
	70204601	Junction Box Harness Assembly	
	70084001	Jumper Bypass Assembly	MT and OM control suffixes
1	M414228P	Transformer	200-240 Volt/60 Hertz/3 Phase; 200-240 Volt/50 Hertz/1 or 3 Phase
	M414229P	Transformer	380-480 Volt/50 or 60 Hertz/3 Phase
2	39733	Screw	
3	M413865	Terminal Block	
4	M4919P3	Electric Heater Contactor Kit	2 required for 200-240 Volt models; 1 required for 380-480 Volt models
5	70030501	Expansion Clip	
6	M413118	Fuse	2 Amp; 240 Volt and lower
	M414232	Fuse	3.5 Amp; All other voltages
	M413621	Fuse	0.5 Amp; 380 Volt and higher
7	91024P	Fuse Receptacle	
	M413544P	Fuse Holder	380 Volt and higher
8	70086301	Fuse Bracket	Low voltage
	70086401	Fuse Bracket	380 Volt and higher
9	M413614P	Fan Contactor	
10	51780	Screw	For contactor
11	N/A	Junction Box Cover	
12	430497	Screw	
13	N/A	Fuse Cover	
14	70058501	Pop Rivet	

N/A = Part no longer available

Rear Control Box - Gas CE Models



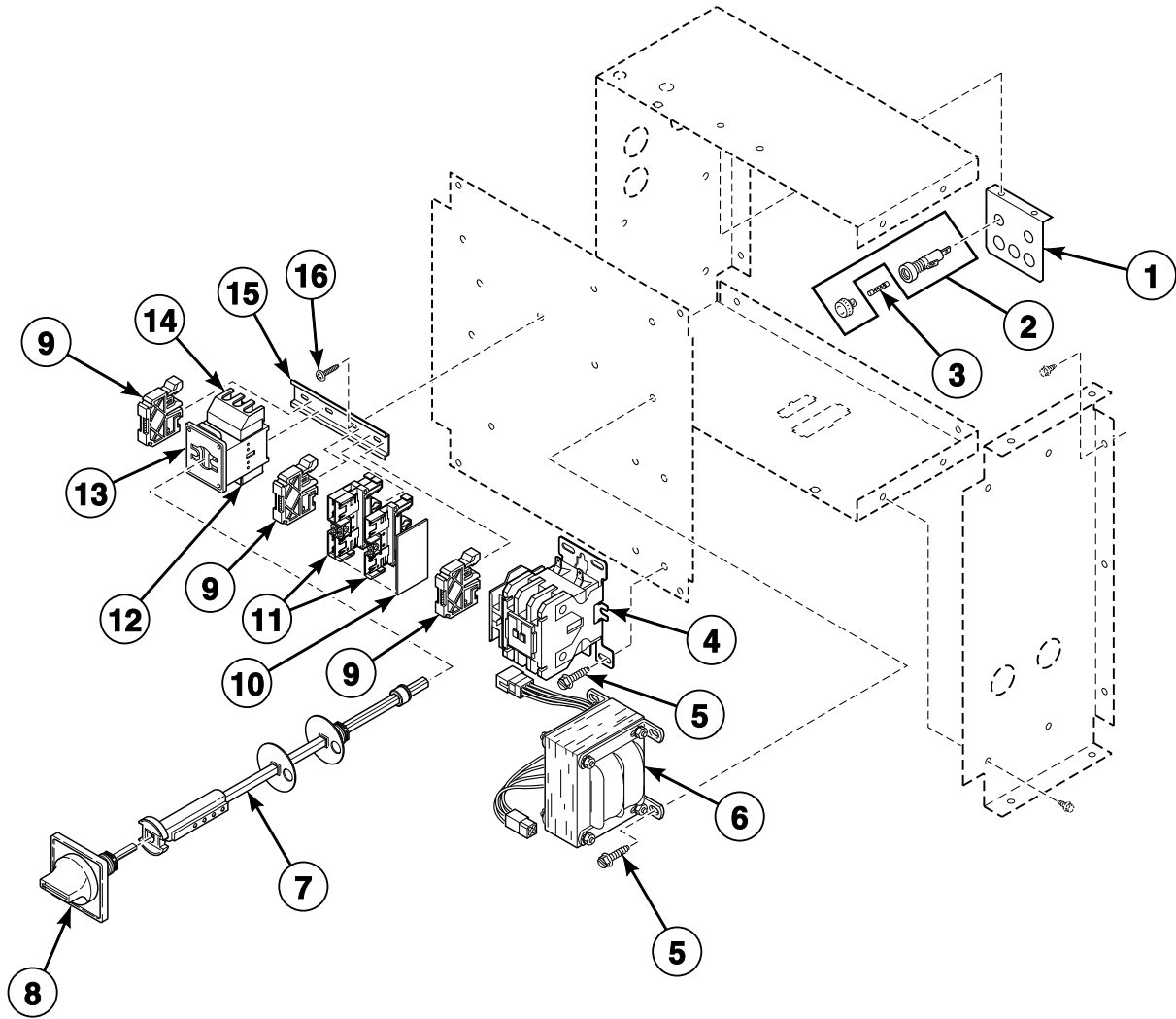
TMB2001P_70185001

Rear Control Box - Gas CE Models

REF	PART NO.	DESCRIPTION	COMMENTS
	M413505	Jumper Harness Assembly	120 Volt/50 or 60 Hertz/1 Phase; OM control suffix
	M413504	Jumper Harness Assembly	100 Volt/50 or 60 Hertz/1 Phase
	M413510	Jumper Configuration Assembly	480 Volt/60 Hertz/3 Phase
	M413509	Jumper Harness Assembly	415 Volt/50 Hertz/3 Phase
	M413508	Jumper Harness Assembly	380 Volt/50 Hertz/3 Phase
	M413506	Jumper Harness Assembly	208 Volt/60 Hertz/1 or 3 Phase
	M413507	Jumper Configuration Assembly	230 Volt/50 Hertz/1 Phase or 230-240 Volt/50 or 60 Hertz/3 Phase
	70067001P	High Limit Harness	
	70204501	Main Remote Interface Harness Assembly	
	70120901	Jumper Disconnect Assembly	
	70083301P	Ignition Control Harness	
	70204601	Junction Box Harness Assembly	
	70164402	Junction Box Cover	
	70006201	High Voltage Lead	
	M413431	Pushbutton Switch	
1	70124101	Fuse Bracket	240 Volt and lower
	70124201	Fuse Bracket	380 Volt and higher
2	502591P	Fuse Holder Kit	
	M413544P	Fuse Holder	380 Volt and higher
3	M413621	Fuse	0.5 Amp; 2 required; 380 Volt and higher
	M413867	Fuse	2 Amp; 2 required; 240 Volt and lower
	M413889	Fuse	4 Amp; 1 required; All other voltages
4	M413614P	Fan Contactor	
5	33562	Screw	
6	M414228P	Transformer	230 Volt
	M414229P	Transformer	380-480 Volt/50 or 60 Hertz/3 Phase
7	M412370	Extension Handle	
8	M412208	Handle	
9	70121001	End Stop	3 required
10	70121101	End Cover	1 required
11	70120001	Terminal Block	3 required per machine
12	M412187P	Mounting Switch Base	
13	M412368	Door Interlock	20 Amp
14	M412366	Finger Guard	
15	N/A	Din Rail	101 mm
16	430497	Screw	
17	70483201P	Ignition Control	
18	M405824	Screw	

N/A = Part no longer available

Rear Control Box - Steam CE Models



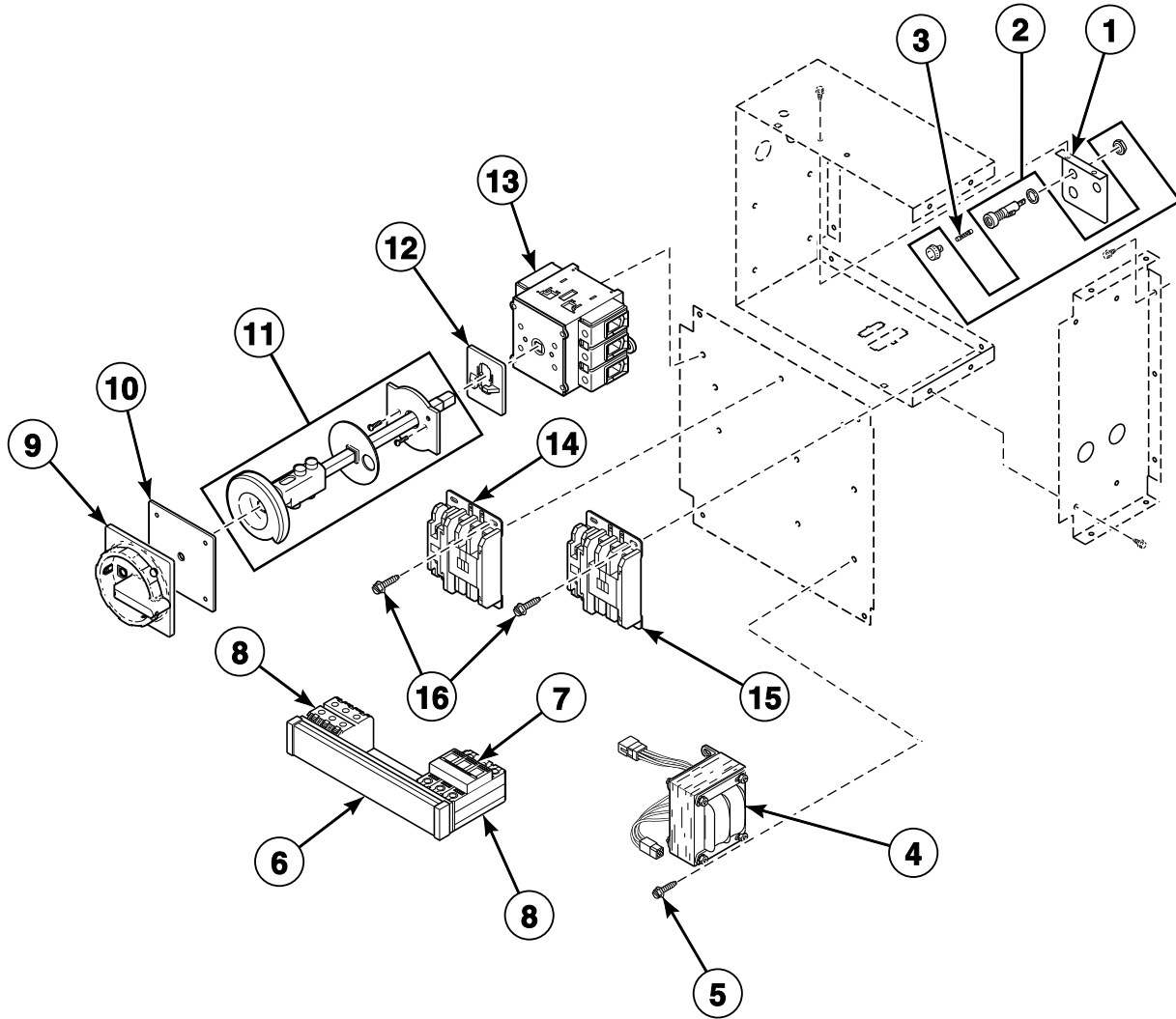
TMB2002P_70185001

Rear Control Box - Steam CE Models

REF	PART NO.	DESCRIPTION	COMMENTS
	M413505	Jumper Harness Assembly	120 Volt/50 or 60 Hertz/1 Phase; OM control suffix
	M413504	Jumper Harness Assembly	100 Volt/50 or 60 Hertz/1 Phase
	M413510	Jumper Configuration Assembly	480 Volt/60 Hertz/3 Phase
	M413509	Jumper Harness Assembly	415 Volt/50 Hertz/3 Phase
	M413508	Jumper Harness Assembly	380 Volt/50 Hertz/3 Phase
	M413507	Jumper Configuration Assembly	230 Volt/50 Hertz/1 Phase or 230-240 Volt/50 or 60 Hertz/3 Phase
	70067001P	High Limit Harness	
	70204501	Main Remote Interface Harness Assembly	
	70113101	Steam Jumper Assembly	
	70120901	Jumper Disconnect Assembly	
	70204601	Junction Box Harness Assembly	
	70164402	Junction Box Cover	
1	70124101	Fuse Bracket	240 Volt and lower
	70124201	Fuse Bracket	380 Volt and higher
2	502591P	Fuse Holder Kit	
	M413544P	Fuse Holder	380 Volt and higher
3	M413621	Fuse	0.5 Amp; 2 required; 380 Volt and higher
	M413867	Fuse	2 Amp; 2 required; 240 Volt and lower
	M413889	Fuse	4 Amp; 1 required; All other voltages
4	M413614P	Fan Contactor	
5	33562	Screw	
6	M414228P	Transformer	230 Volt
	M414229P	Transformer	380-480 Volt/50 or 60 Hertz/3 Phase
7	M412370	Extension Handle	
8	M412208	Handle	
9	70121001	End Stop	3 required
10	70121101	End Cover	1 required
11	70120001	Terminal Block	3 required per machine
12	M412187P	Mounting Switch Base	
13	M412368	Door Interlock	20 Amp
14	M412366	Finger Guard	
15	N/A	Din Rail	101 mm
16	430497	Screw	

N/A = Part no longer available

Rear Control Box - Electric CE Models Through Serial No. 112006347



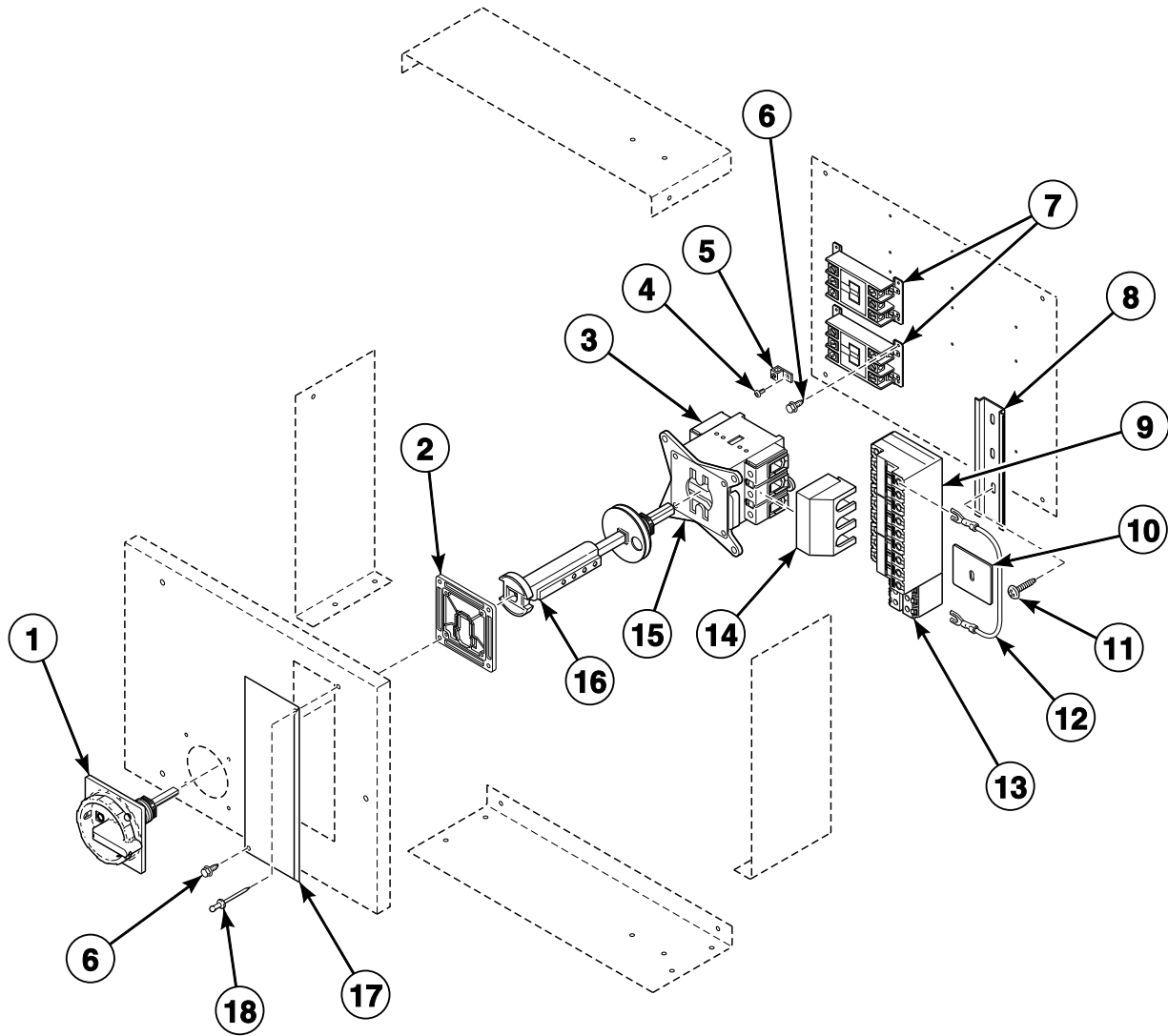
TMB2003P_70185001

Rear Control Box - Electric CE Models Through Serial No. 112006347

REF	PART NO.	DESCRIPTION	COMMENTS
	M413510	Jumper Configuration Assembly	480 Volt/60 Hertz/3 Phase
	M413509	Jumper Harness Assembly	415 Volt/50 Hertz/3 Phase
	M413508	Jumper Harness Assembly	380 Volt/50 Hertz/3 Phase
	M413506	Jumper Harness Assembly	208 Volt/60 Hertz/1 or 3 Phase
	M413507	Jumper Configuration Assembly	230-240 Volt/50 or 60 Hertz/3 Phase
	70067001P	High Limit Harness	
	70204501	Main Remote Interface Harness Assembly	
	44129201P	Jumper Harness	200-240 Volt
	70138801	Jumper Assembly	3 Phase; 6 gauge
	70236001	Junction Box Harness Assembly	
	70204601	Junction Box Harness Assembly	
	70164402	Junction Box Cover	
	M412692	Din Rail	For terminal blocks; 89 mm
1	70124201	Fuse Bracket	
2	502591P	Fuse Holder Kit	250 Volt
	M413544P	Fuse Holder	600 Volt
3	M413621	Fuse	0.5 Amp; 600 Volt
	M413889	Fuse	4 Amp; 250 Volt
4	M414229P	Transformer	
5	430497	Screw	
6	N/A	Buss Bar Assembly	9 position
7	M412407P	Circuit Breaker	8 Amp
8	M412045P	Terminal Block	3 Pole; 2 required on 380-415 Volt models
9	70268001	Handle	
10	N/A	Disconnect Switch Gasket	
11	M412371P	Extension Handle	
12	M412368	Door Interlock	
13	M412186	Mounting Switch Base	
14	M4919P3	Electric Heater Contactor Kit	
15	M413614P	Fan Contactor	
16	33562	Screw	

N/A = Part no longer available

Rear Control Box - Electric CE Models Starting Serial No. 112006348



TMB1858P_70185001

Rear Control Box - Electric CE Models Starting Serial No. 112006348

REF	PART NO.	DESCRIPTION	COMMENTS
	M413510	Jumper Configuration Assembly	480 Volt/60 Hertz/3 Phase
	M413509	Jumper Harness Assembly	415 Volt/50 Hertz/3 Phase
	M413508	Jumper Harness Assembly	380 Volt/50 Hertz/3 Phase
	M413506	Jumper Harness Assembly	208 Volt/60 Hertz/1 or 3 Phase
	M413507	Jumper Configuration Assembly	230-240 Volt/50 or 60 Hertz/3 Phase
	70067001P	High Limit Harness	
	70204501	Main Remote Interface Harness Assembly	
	44129201P	Jumper Harness	200-240 Volt
	70138801	Jumper Assembly	3 Phase; 6 gauge
	70236001	Junction Box Harness Assembly	
	70204601	Junction Box Harness Assembly	
	70164402	Junction Box Cover	
1	70268001	Handle	
2	N/A	Disconnect Switch Gasket	
3	M412186	Mounting Switch Base	100 Amp
4	M402917	Screw	Ground
5	M411283	Ground Lug Connector	
6	39733	Screw	
7	M4919P3	Electric Heater Contactor Kit	2 required for 200-240 Volt; 1 required for 380-415 Volt
8	N/A	Din Rail	380-415 Volt/50 Hertz/3 Phase; 127 mm
	M412693	Din Rail	380-415 Volt/50 Hertz/3 Phase; 165 mm
9	M412401	Circuit Breaker	230 Volt/50 Hertz/1 Phase; 8 Amp
	M412406	Circuit Breaker	230 Volt/50 Hertz/1 and 3 Phase; 40 Amp
	M412407P	Circuit Breaker	380-415 Volt/50 Hertz/3 Phase; 8 Amp
10	44014901P	Power Distribution Block Cover	
11	430497	Screw	
12	70260201	Jumper Wire	10 inches
	M414121	Jumper Cable Assembly	6.75 inches
	M413933	Jumper Cable Assembly	7.5 inches
13	M413865	Terminal Block	230 Volt/50 Hertz/1 Phase and 380-415 Volt/50 Hertz/3 Phase
14	M412367	Finger Guard	
15	M412369	Door Interlock	
16	M412370	Extension Handle	
17	70133901	Electrical Box Access Cover	
18	70058501	Pop Rivet	

N/A = Part no longer available

Parts Index

A

Air Filter	
70036001	63
Airflow Switch	
70267301	49
Airflow Switch Bracket	
70266301	49
Airflow Switch Cover	
70281801	49
Airflow Switch Kit	
70270901P	49
Airflow Switch Plate	
70271601	49
Airflow Switch Vane	
70266201	49
Audit Switch Bracket	
70183901	19
70292601	5

B

Baffle Gasket	
70015701	31, 33
70015702	31, 33
70015705	31, 33
Belt	
70276201P	41
Belt Tension Tool Kit	
M4853P3	41
Blower Assembly	
70359801P	45
Blower Housing	
70218001	45
Blower Housing Cover Assembly	
70299201	45
Blower Housing Scroll	
70218101	45
Blower Inlet Cone	
70014101	45
Blower Motor	
70337501P	47
70342601P	47
Blower Motor Kit	
70337601P	47
70337701P	47
Bolt	
70062401	41
70392801	39
Burner Grill	
70188801	51
Burner Orifice	
M401000	59
M401002	59
M401011	59
M401014	59
M402980	59
M402995	59
M402996	59

M403017	59
M406184	59
M406361	59
M411373	59
M411374	59
M411375	59
M411376	59
M411511	59
70070902	59

C

Cabinet Strap	
70058301	33
Cam and Hinge Kit	
M4772P3	37
Card Reader and Bracket Assembly	
510068P	17
Card Reader Harness Assembly	
70211801	9, 17
Card Reader Kit	
M4877P3	9
Card Reader Network Harness Assembly	
70206601	9, 17
Center Cylinder Seal Assembly	
70066003	31, 33
Chassis Mounting Bracket	
70119001	9
Circuit Board Support	
34896	11, 15
Circuit Breaker	
M412401	79
M412406	79
M412407P	77, 79
Clip	
70226701	33
Coil Spring	
M402455	13
Coin Box	
F160673	33
Coin Carrier Spring	
M405138A	13
Coin Chute Assembly	
70296401	33
Coin Drop	
38963P	7
70256402P	7
70441601P	7
Coin Drop Assembly	
210195	7
210196	7
38462P	7
38463	7
38464P	7
38467	7
38472	7
38475	7
38519	7
38521	7
39157	7
70441602	7

N/A items do not appear in index.

Drive Motor Kit	
70337901P	43
70338001P	43
Drum Idler Spring	
70045301	41
Drywall Screw Magnet Kit	
70343101P	39
Dual Overlay Kit	
70217001P	5
70217101P	5
70217201P	5
70217301P	5
Duct Cover	
70207501	45

E

Elbow	
70079601	55
Electric Heater Contactor Kit	
M4919P3	71, 77, 79
Electrical Box Access Cover	
70133901	79
Electronic Control Kit	
M4691P3	5
M4692P3	5
M4721P3	5
M4722P3	5
Emergency Stop Label	
M412235	29
Emergency Stop Switch Harness Assembly	
70235301	29
End Cap	
70070101	39
End Cover	
70121101	73, 75
End Stop	
70121001	73, 75
Exhaust Damper	
70056201	45
Exhaust Duct Assembly	
70246201	45
Exhaust Thimble	
70017801	45
Expansion Clip	
70030501	31, 33, 65, 69, 71
Extension Handle	
M412370	73, 75, 79
M412371P	77

F

Fan Contactor	
M413614P	67, 69, 71, 73, 75, 77
Finger Guard	
M412366	73, 75
M412367	79
Forward Valve Cover	
70282301	57
Front Panel Seal	
70173401P	25, 27

Fuse	
M413118	65, 69, 71
M413621	65, 69, 71, 73, 75, 77
M413867	73, 75
M413889	73, 75, 77
M414232	65, 69, 71
M414240	65, 69
Fuse Bracket	
70086301	65, 69, 71
70086401	65, 69, 71
70124101	73, 75
70124201	73, 75, 77
Fuse Holder	
M413544P	65, 69, 71, 73, 75, 77
Fuse Holder Kit	
502591P	73, 75, 77
Fuse Receptacle	
91024P	65, 69, 71

G

Gas Burner	
70229801P	53
Gas Line Assembly	
70203601	55
Gas Shut-Off Valve	
M412562P	55
Gas Valve	
44154501P	57
44154502P	57
Gas Valve Coil	
70260101	55
Gas Valve Cover	
70133401	51
Gas Valve Harness	
70184001	53, 55
Ground Lug Connector	
M411283	79

H

Handle	
M412208	73, 75
70268001	77, 79
Heater Element	
70034401P	61
70034402P	61
70034403P	61
High Limit Harness	
70067001P	65, 69, 71, 73, 75, 77, 79
High Voltage Lead	
70006201	67, 73

I

Idler Assembly Service Kit	
70275501P	41
Idler Bracket	
70443301	41
Idler Wheel Assembly	
70050401P	41

N/A items do not appear in index.

Igniter Cover	
70159601	51
Ignition Control	
70367301P	67
70483201P	67, 73
Ignition Control Harness	
70083301P	65, 73
Ignition Control Harness Assembly	
70083201	65
Indicator Light	
70082201	11, 15
Insulator	
M413862	65, 69
Interlock Harness Assembly	
70084801P	65

J

Jumper Assembly	
70138801	77, 79
70139001	71
70139101	71
Jumper Bypass Assembly	
70084001	65, 69, 71
Jumper Cable Assembly	
M413933	71, 79
M414121	79
Jumper Calibration Assembly	
70084203	5
70211703P	17, 19
Jumper Calibration Wire	
70324601	17
Jumper Configuration Assembly	
M413507	73, 75, 77, 79
M413510	65, 69, 71, 73, 75, 77, 79
Jumper Disconnect Assembly	
70120901	73, 75
Jumper Harness	
44129201P	71, 77, 79
Jumper Harness Assembly	
M413504	65, 69, 73, 75
M413505	65, 69, 73, 75
M413506	65, 71, 73, 77, 79
M413508	65, 69, 71, 73, 75, 77, 79
M413509	65, 69, 71, 73, 75, 77, 79
Jumper Strip	
M400869	61
Jumper Wire	
70260201	79
Junction Box Cover	
70164402	73, 75, 77, 79
Junction Box Harness Assembly	
70204601	65, 69, 71, 73, 75, 77, 79
70236001	71, 77, 79

K

Key	
70144101	45
70155601	25, 35
70155602	35

Kickplate	
70117605	27
70117606	27
Knob	
M410927	15

L

Latch Mounting Bracket	
70119801	11, 15
70184501	17, 19
Leveling Leg	
34319	33
Limit Thermostat	
M409219	53
M409443	63
M410220	61
M411307	45
Lint Drawer Front Kit	
70322901P	35
70322902P	35
Lint Drawer Gasket	
70117901P	25, 27
Lint Drawer Handle	
70320801	35
70320802	35
Lint Drawer Handle Plate	
70323201	35
Lint Frame Gasket	
70333101	35
Lint Screen Assembly	
70290601	35
Lint Screen Bracket	
70026901	35
Lock, Key and Nut Kit	
44089301P	25, 35
44089302P	35
Lower Front Panel Assembly	
70176101WP	27
70176102P	27
70176103W	27
70176104P	27
70176106	27
70176107WP	27
70176108	27
L.P. Conversion Kit	
M4707P3	55
L.P. Valve	
70457302P	55
L.P. Valve Conversion Kit	
M4734P3	55

M

Main Harness Assembly	
70204801	17, 19
Main Remote Interface Harness Assembly	
70204501	65, 69, 71, 73, 75, 77, 79
Manual Reset Thermostat	
M411945	45
70186301	53

N/A items do not appear in index.

Manual Timer Control Kit	
M4694P3	15
M4724P3	15
Motor Capacitor	
70211401	41
70211501	45
70211502	41
Motor Channel	
70261701	41
Motor Mount Bracket	
70127301	41
Motor Pulley	
70284201	41
70284203	41
Mounting Bracket	
70118901	11
70131301	15
70179001	11
70179101	15
Mounting Switch Base	
M412186	77, 79
M412187P	73, 75
Multiplier Assembly	
38571	5
Multiplier Harness Assembly	
431611	5

N

Network Board Assembly	
210016P	23
Network Wire Harness Assembly	
800217	23
Nipple	
F420101	55
Nut	
M400022	39, 45
M400034	39, 45
M400979	49
M401548	57
M412986	39, 41
M414215	37
Q6163	61
21899	33, 45
23951	37
27222	41
29786	35, 41
430576	31, 33
44087201	39
44088801	25, 35
56156	41
70030401	31
70054	5, 9, 11, 15, 19
70072901	25, 27
N.G. Valve	
70457301P	55
N.G. Valve Conversion Kit	
M4733P3	53, 55

O

Opto Coupler	
200674P	7

Orifice Adapter	
70297801	57
70435901P	57
Orifice Holder Bracket	
70248901	57
Orifice Keeper Bracket	
70249001	57
O-Ring	
431482	55
Overlay	
70113601	5
70113901	5
70114401	15
70114601	25
70114701	35
70115101	35
70115201	35
70115301	35
70115501	11
70115701	9
70128101	15
70128201	11
70129301	5
70129401	5
70129501	5
70129601	5
70129801	5
70129901	15
70135501	5
70135601	15
70135701	5
70136101	5
70136201	9
70136401	35
70136501	35
70136601	35
70136801	11
70184101	19
70184102	19
70184201	17
70235101	17
70239401	19
70239402	19
70412901	25

P

Panel Clip	
M406494	25
Partition Baffle	
70022001	31
70022101	31
70057101	31
70198801	31, 33
70215302	33
70215303	33
70232601	31, 33
70232602	31, 33
70232701	31, 33
70232801	31, 33
PC Board Standoff	
210098	21
Pipe	
70262601	57
Pipe Tee	
70267501	57

N/A items do not appear in index.

Pop Rivet	
M400003	11, 15, 19, 25, 27
430725	25
70058501	31, 33, 37, 39, 57, 67, 69, 71, 79
70058502	33
70126401	27
Potentiometer Mounting Bracket	
70108001	11, 15
Power Distribution Block Cover	
44014901P	79
Pushbutton	
44018801	29
Pushbutton Switch	
M413431	65, 73
70413301	5, 19, 25, 27

R

Rear Cylinder Bearing Housing	
70013901	39
Rear Cylinder Channel	
70257101	39
Rear Cylinder Channel Plate	
70257201	39
Rear Cylinder Seal	
70013701P	39
Rear Cylinder Seal Support	
70506402	39
Rear Panel	
70243401P	31
70243402	31
Rear Stabilizer Bracket	
70200301	45
Rear Valve Cover	
70282401	57
Relay	
M412534	11, 15
70210901P	67, 69
Replacement Door Handle Kit	
70133501P	37
Retaining Ring	
70023601	31, 33
Return Spring	
M405138B	13
Roller Bearing Assembly	
70298701P	31, 33
Roller Shaft	
70017701	31, 33
70232001	31, 33
Roller Support Bracket	
70055001	31, 33
70231901	31, 33
Rotary Drop Shroud	
70061701	11

S

Screw	
M400044	37
M400056	41
M400661	37
M401938	25, 27, 49

M402797	11, 15, 53
M402917	11, 15, 79
M405188	25
M405824	65, 69, 73
M409385	37
M411052	15
M411072	25, 27, 67, 69
M412985	41
05161	53
23222	55
33562	73, 75, 77
39733	71, 79
430497	9, 39, 45, 49, 51, 53, 55, 57, 61, 67, 69, 71, 73, 75, 77, 79
430648	41
430757	37
431484	55
501524	5, 9, 17, 19
51778	67, 69
51780	67, 69, 71
61199	37
62588	39
70033502	25, 27, 37
70069901	25
70126101	45
70126201	37
70132301	25, 27
Shadow Box Clip	
M400972	25, 27
Snap Bushing	
M400770	57
Solenoid Valve DIN Connector	
70370301P	63
Spacer	
431264	25
Spark Electrode	
70032801P	53
Spud Adapter	
70223501	55
Start Switch	
70108501	11, 15
Steam Coil	
70231201P	63
70231301P	63
Steam Filter Holder	
70369301	63
Steam Jumper Assembly	
70113101	69, 75
Steam Valve	
F8322902	63
F8322903	63
Stove Back	
70183001	51
Stove Grill	
70214901	61
Support Bearing	
70448701	39
Switch	
M400947	13
431159	31, 33

T

Tee	
70071801	55

N/A items do not appear in index.

Temperature Kit	
70475001P	11, 15
Temperature Knob	
70080601	11, 15
Terminal Block	
M412045P	77
M413865	71, 79
430642	65, 69
70120001	73, 75
Thermal Shield	
70036601	31, 33
Thermistor	
M414704	45
Thermistor Cover	
70112801	45
Thermostat Bracket	
70137801	63
Thermostat Cover	
70139901	63
Thermostat Module	
431347P	11, 15
Timer	
M412079P	15
70131701P	15
70131801P	15
Timer Control Assembly	
70175301P	11, 15
Timer Knob	
70082101	15
Timer Motor	
70218201	13
70218301	13
Timing Cam	
M400732P	13
M400733P	13
M400734P	13
M400735P	13
M400736P	13
M400737P	13
M400738P	13
M400739P	13
M400740P	13
M400741P	13
Top Panel	
70233101	25
Transformer	
M414228P	65, 69, 71, 73, 75
M414229P	65, 69, 71, 73, 75, 77
M414230P	65, 69
M414312P	65, 69
Trunnion and Seal Kit	
M4960P3	39
Tube	
70281601	57

U

Union	
H86000031	55
Upper Front Panel Assembly	
70176002P	25
70176003*P	25
70176004P	25
70391301WP	25

V

Valve Bracket and Cover Kit	
M4746P3	51
M4747P3	51
Valve Coil	
F8514801	63
Valve Rebuild Kit	
F8379502	63

W

Washer	
F430311	25, 27
M400991	39
M405535	11
70017401	45
70265901	41
70270301	41
70411301	39
Wire Guard	
201595P	7
