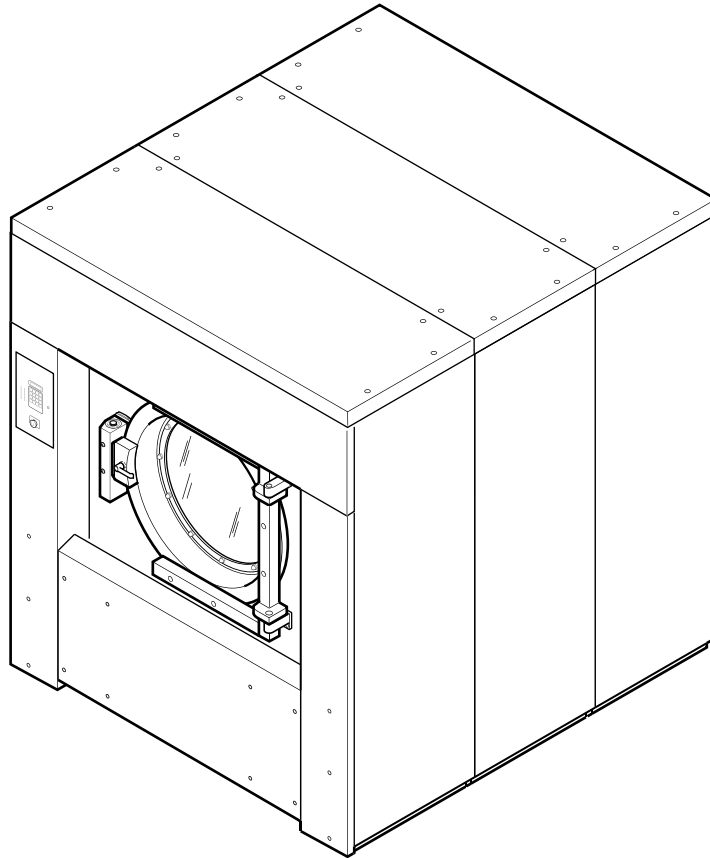


Washer-Extractor

Cabinet Freestanding
Refer to Page 3 for Model Numbers



CFS151C_F232007

Table of Contents

Title	Page
Parts Ordering Information.....	2
Nameplate Location.....	2
Model Identification.....	3
Front Control Module.....	4
Side Control Module.....	6
Rear Control Module.....	8
PowerFlex AC Drive.....	10
Panels.....	12
Frame and Shell.....	14
Door Assembly (Drawing 1 of 2).....	16
Door Assembly (Drawing 2 of 2).....	18
Door Lock.....	20
Basket and Pulley.....	22
Supply Dispenser.....	24
Water Supply Valve and Hoses - Old Style.....	26
Water Supply Valve and Hoses - New Style.....	28
Hose Assemblies.....	30
Air Trap, Temperature Probe and Drain Valve Assembly.....	32
Shock and Spring Assembly.....	34
External Brake Resistor.....	36
Motor.....	38
Motor Cooling Fan.....	40
Bearing Assembly.....	42
Steam Heat Kit.....	44
Special Tools.....	46
Parts Index.....	49

© Copyright 2011, Alliance Laundry Systems LLC

All rights reserved. No part of the contents of this book may be reproduced or transmitted in any form or by any means without the expressed written consent of the publisher.

Parts Ordering Information

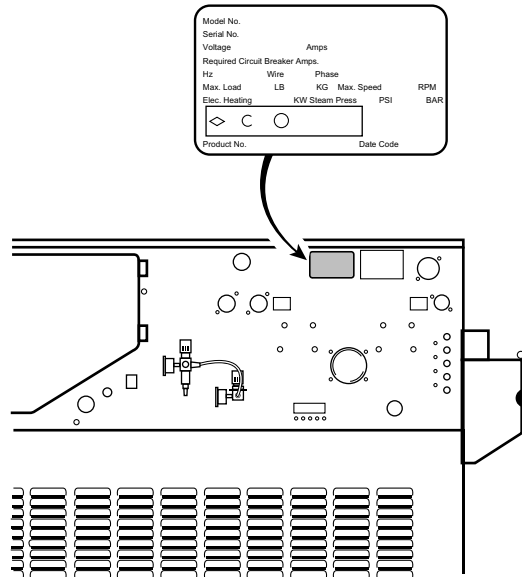
If literature or replacement parts are required, contact the source from whom the machine was purchased or contact Alliance Laundry Systems at (920) 748-3950 for the name and address of the nearest authorized parts distributor.

For technical assistance, call either of the numbers listed below:

(920) 748-3121 Ripon, Wisconsin
+32 56 41 20 54 Wevelgem, Belgium

Nameplate Location

When calling or writing about your product, be sure to mention model and serial numbers. Model and serial numbers are located on nameplate(s) as shown.



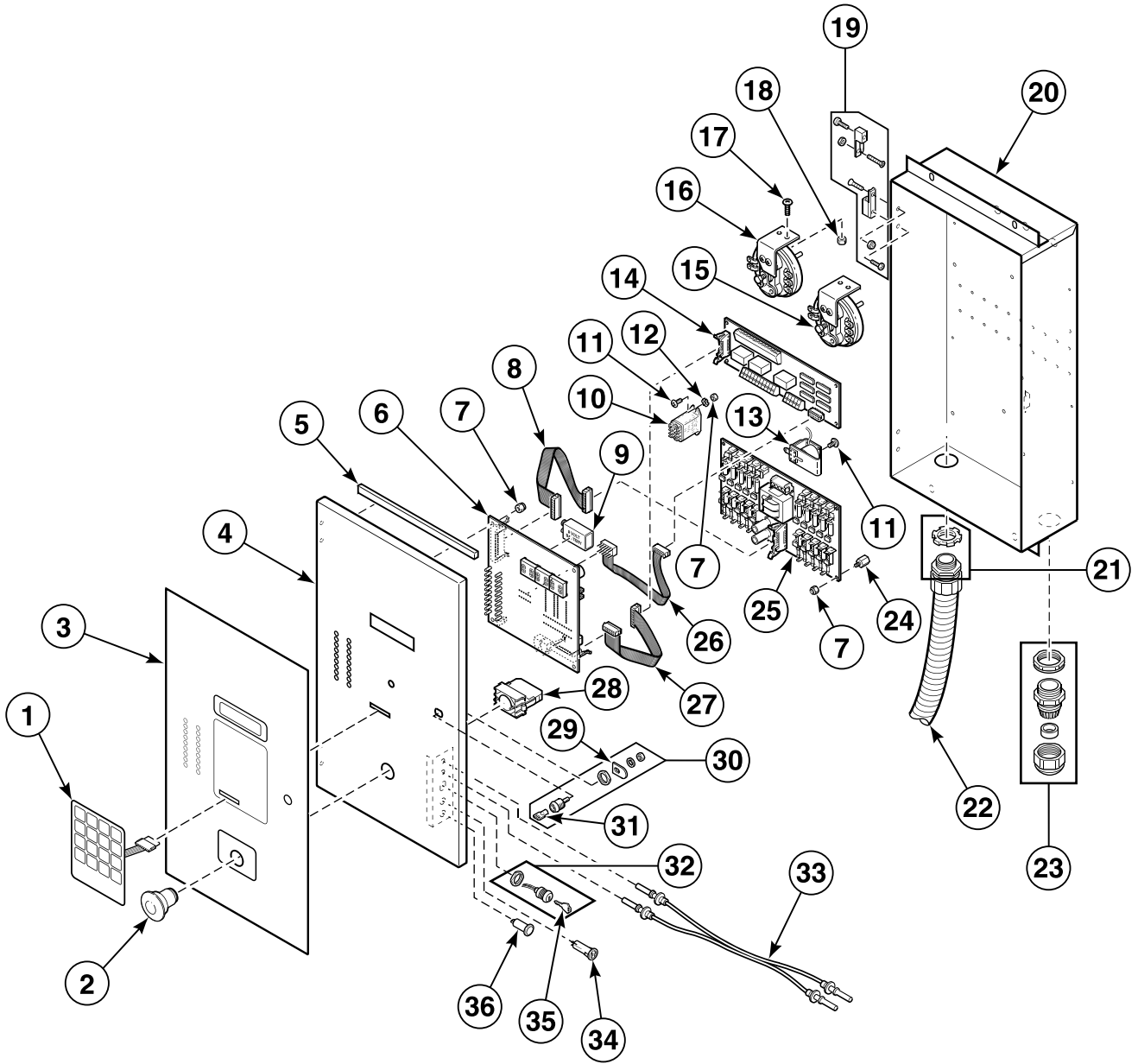
CFS1934P_F232007

Model Identification

Information in this manual is applicable to these washer-extractor models:

BF250PV
SF250PV
UF250PV

Front Control Module



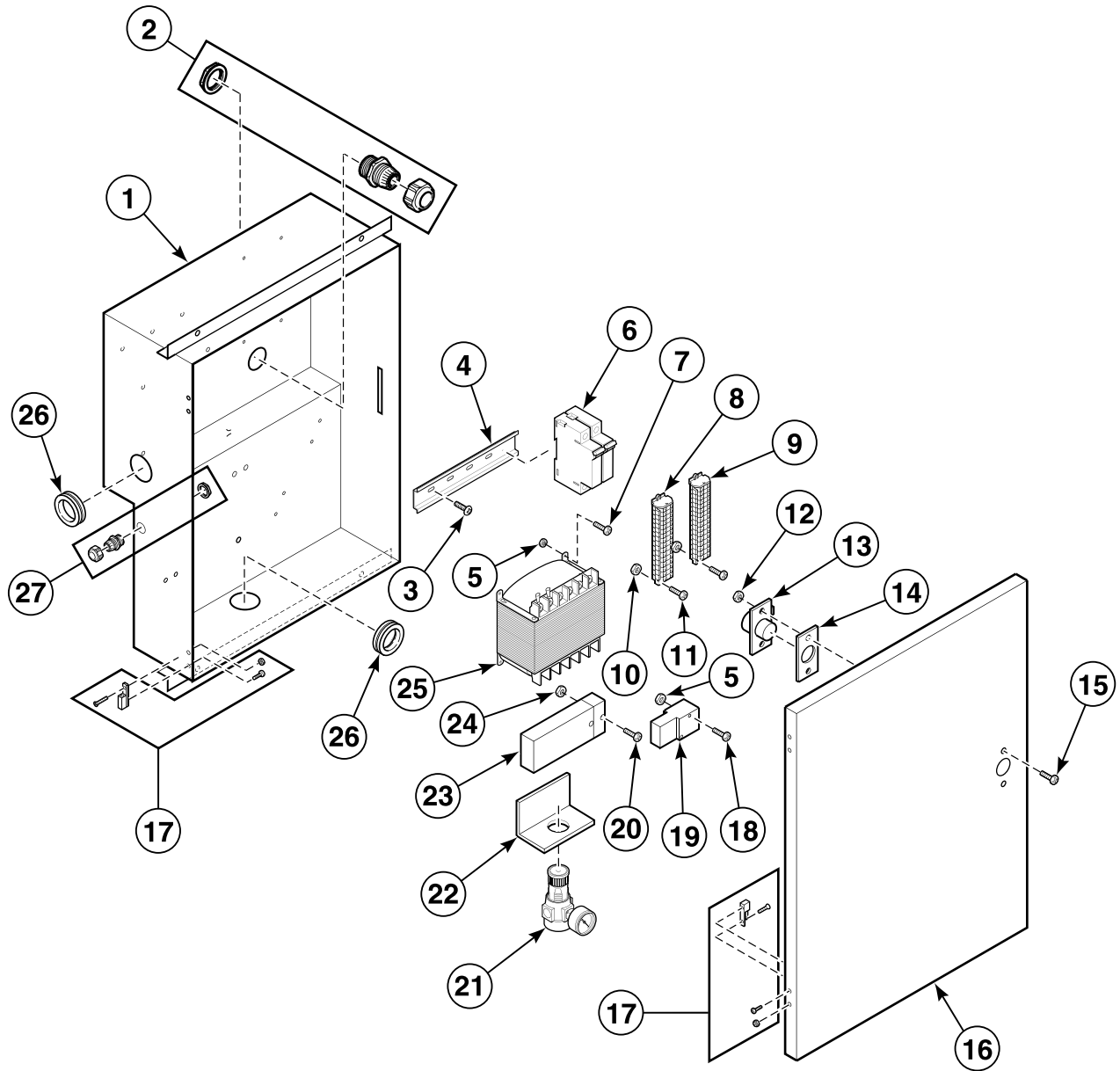
CFS1926P_F232007

Front Control Module

REF	PART NO.	DESCRIPTION	COMMENTS
1	F230724P	Keypad Decal	
2	N/A	Emergency Stop Pushbutton	800E-series; Part no longer available; Order F200233700P Emergency Stop Button Kit
	F200233700P	Emergency Stop Button Kit	Used to convert from 800E-series to 800F-series; Includes F200233500 Emergency Stop Pushbutton and F200233401 Contact Block Switch
	F200233500	Emergency Stop Pushbutton	800F-series
3	F231096	Control Panel Decal	
4	F630832	Cover Weldment	
5	F200001600P	Shell Band Gasket	
6	F370534-20P	WE-6 Computer	
7	F430231	Nut	
8	F140219P	Ribbon Cable	24 pin; 15 inch
9	F191101	Battery	9 Volt
10	F330227	Flange Relay	120 Volt; 6 used
11	F430916	Screw	
12	F431113	Washer	
13	F300203P	Buzzer	120 Volt
14	F370446-1P	WE-6 Interface CCA Kit	
15	F340308P	Water Level Switch	Low and medium
16	F340309P	Water Level Switch	High
17	F430928	Screw	
18	N/A	Nut	
19	F190212P	Lift-Off Hinge	
20	F630768	Computer and Control Box	
21	F140325	Fitting	
22	F140324	Conduit	
23	F140331	Strain Relief Connector	PG21
24	F180506	Standoff	
25	F0370444-10P	Output CCA	
	F350108	Fuse	1/8 Amp
	F350109	Fuse	1/2 Amp
	F350110	Fuse	1 Amp
26	F140248P	Ribbon Cable	16 pin; 15 inch
27	F140218P	Ribbon Cable	16 pin; 12 inch
28	F340445	Contact Block Switch	800E-series; Includes mounting base
	F200299500	Contact Block Switch	800E-series; Without mounting base
	F200233401	Contact Block Switch	800F-series
29	F606295	Lock Latch	
30	F190802P	Lid Lock	
31	F160562	Key	Key code GR3800
32	C003024P	Keymode Switch Assembly	
33	F606682	Cable Assembly	10 inch
34	F350211	Circuit Breaker	
35	F370709	Program Key	Key code A153
36	F350412	Light	Red

N/A = Part no longer available

Side Control Module



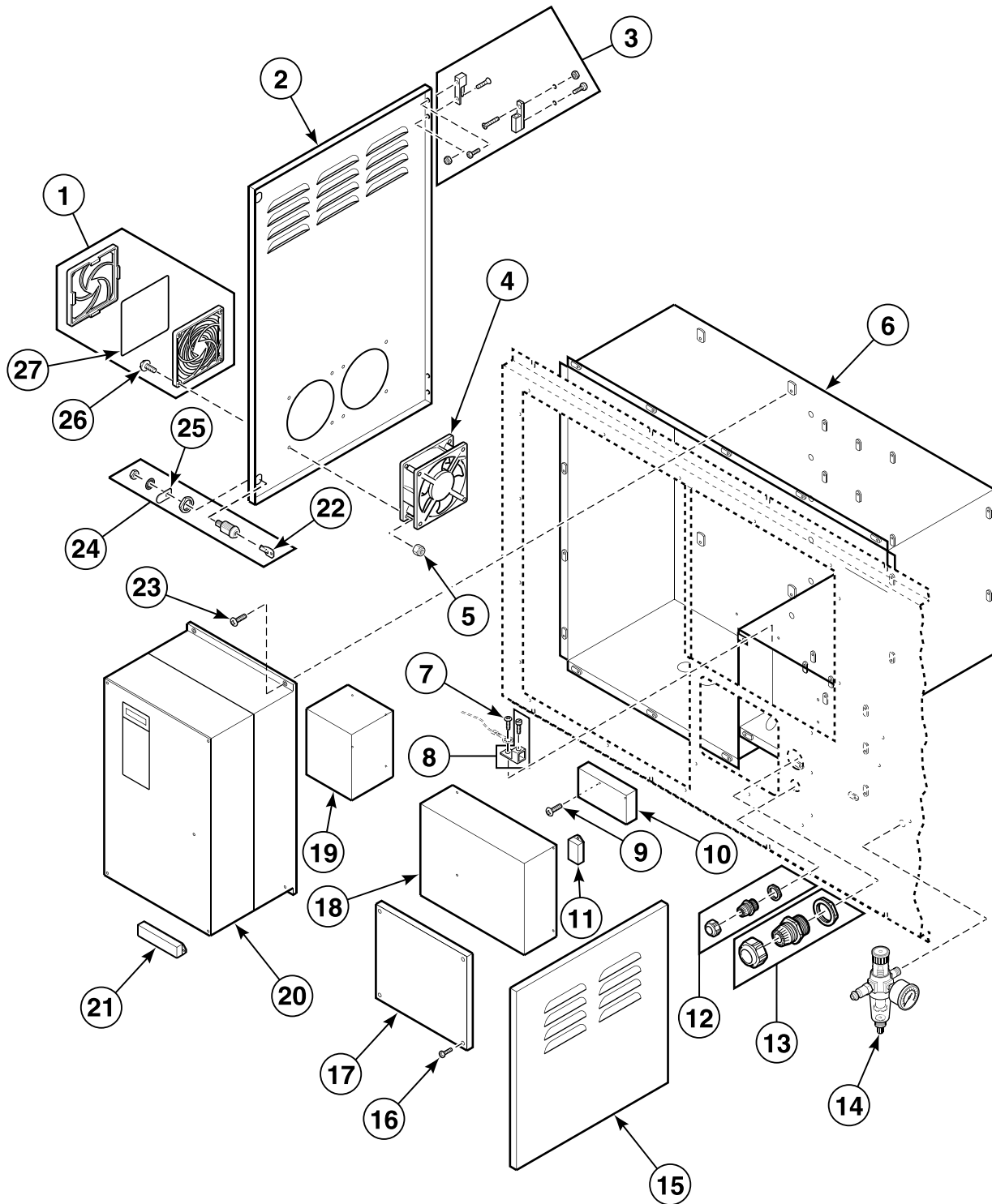
CFS1915P_F232007

Side Control Module

REF	PART NO.	DESCRIPTION	COMMENTS
1	F632841	Electrical Box Weldment	
2	F140331	Strain Relief Connector	PG21
3	F430938	Screw	
4	N/A	Contacting Mounting Rail	
5	F430232	Nut	
6	C000302P	Circuit Breaker	2 Amp
	F350206	Circuit Breaker	5 Amp
7	F430976	Screw	
8	N/A	Terminal Block Assembly	Terminal strip 1-22
9	N/A	Terminal Block Assembly	Terminal strip 23-48
10	F430231	Nut	
11	F430916	Screw	
12	F431024	Nut	
13	F190804	Cabinet Panel Latch	
14	N/A	Lower Latch Spacer	
15	F430985	Screw	
16	N/A	Electrical Box Cover	
17	F190212P	Lift-Off Hinge	
18	F430920	Screw	
19	F380718	Air Valve	120 Volt
20	F430179	Screw	
21	F380118P	Door Relief Valve Regulator	
22	F270410	Regulator Mounting Bracket	
23	F250311P	Manifold	
24	F431017	Nut	
25	F360125P	Transformer	
26	F170604	Grommet	
27	N/A	Strain Relief Connector	PG7

N/A = Part no longer available

Rear Control Module



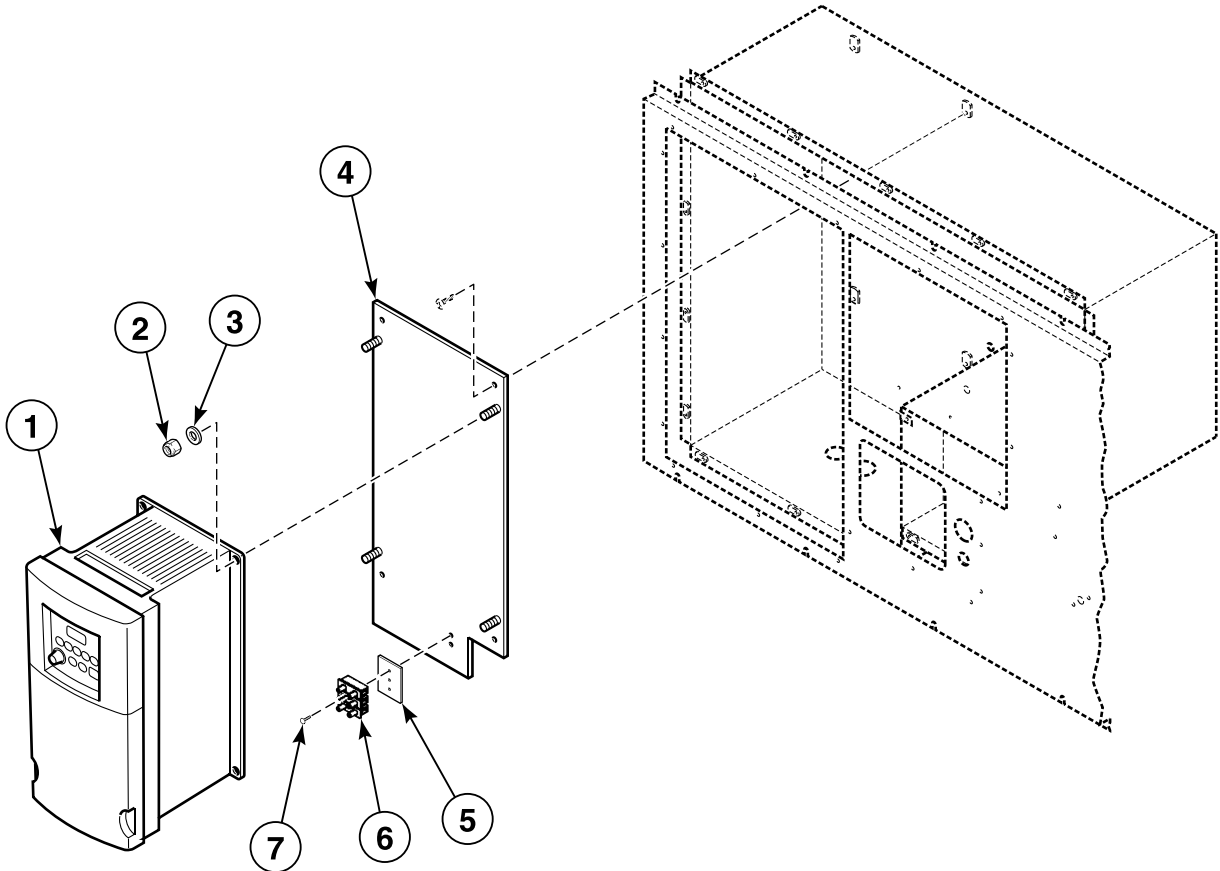
CFS1919P_F232007

Rear Control Module

REF	PART NO.	DESCRIPTION	COMMENTS
1	F220900	Filter Retainer Guard	Includes item 27
2	F631381	AC Drive Cover	
3	F190212P	Lift-Off Hinge	
4	F110106	Muffin Fan	
5	F430232	Nut	
6	F631434	Drive Box Weldment	
7	F430920	Screw	
8	F140734	Ground Terminal Lug	Includes screw
9	F430920	Screw	
10	M413865	Terminal Block	3 pole
11	N/A	Terminal Block Assembly	10 pole
12	F140328	Strain Relief Connector	PG9
13	F140331	Strain Relief Connector	PG21
14	F270302	Regulator Filter	
15	F631380	AC Drive Cover	Right
16	F430920	Screw	
17	F631490	Electrical Box Cover	
18	F370826	Brake Unit	200 Volt
	F370824	Brake Unit	400 Volt
19	F330183	Contacto	
20	F370828	Inverter Drive	200 Volt
	F370825	Inverter Drive	400 Volt; Can only be ordered with a machine's complete model and serial numbers
21	N/A	Terminal Block Assembly	Double contact
22	F160562	Key	Key code GR3800
23	F430925	Screw	
24	F190802P	Lid Lock	Key code GR3800
25	F606295	Lock Latch	
26	F430976	Screw	
27	F200318900P	Filter	

N/A = Part no longer available

PowerFlex AC Drive

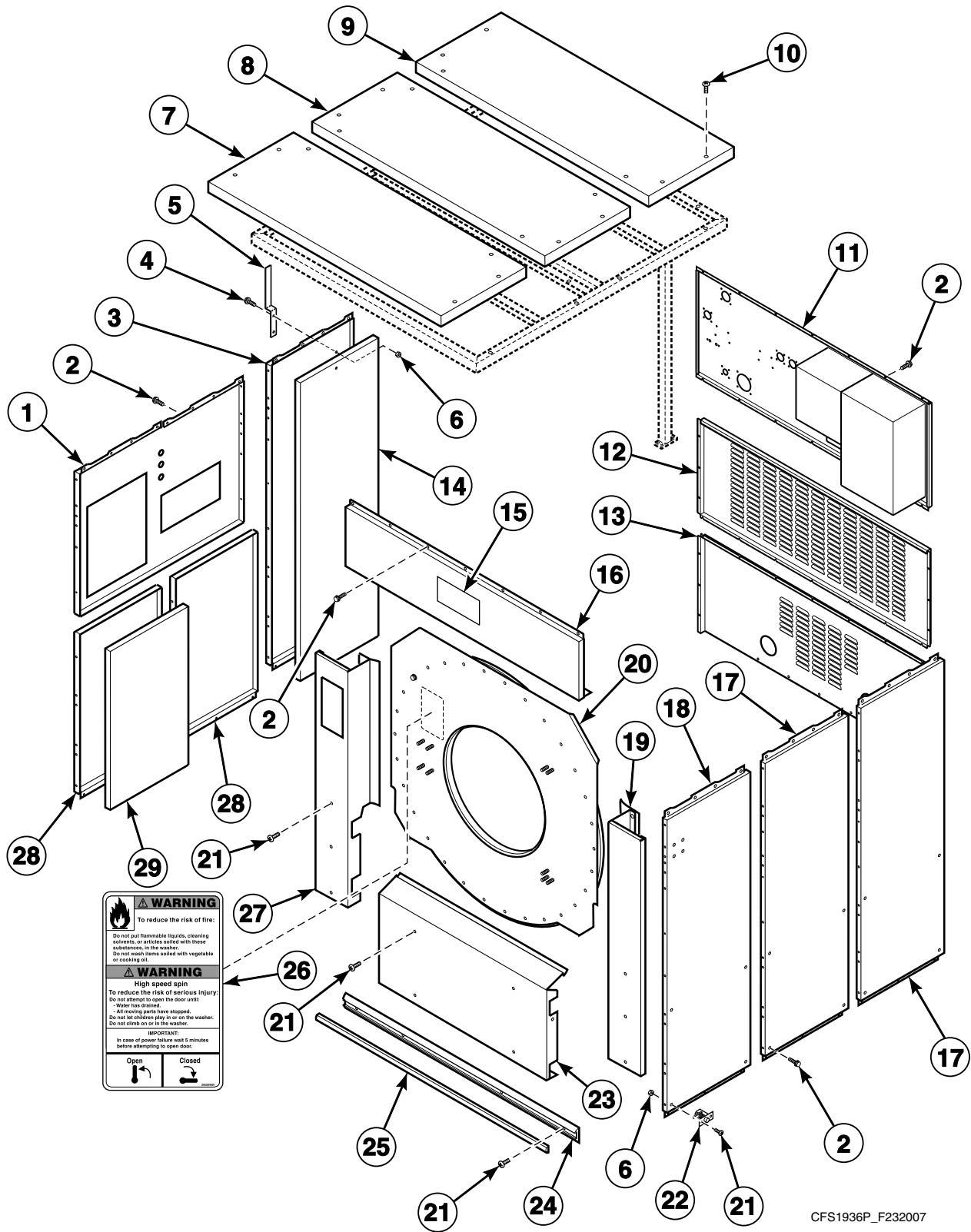


CFS1938P_F232007

PowerFlex AC Drive

REF	PART NO.	DESCRIPTION	COMMENTS
	F079902600	PowerFlex AC Drive Retrofit Kit	Q-voltage models; Includes items 1-7, F140160 Wire (12 inches) and F140605 Cable Tie
	F079902700	PowerFlex AC Drive Retrofit Kit	P and N-voltage models; Includes items 1-7, F140160 Wire (12 inches) and F140605 Cable Tie
1	F8019101	AC Drive	Q-voltage models
	F8019201	AC Drive	P and N-voltage models
2	F431024	Nut	
3	F431147	Washer	
4	F200323000	Mounting Plate Assembly	
5	F0230111-00	Input Power Block Insulator	
6	F140747	Input Power Block	
7	F430938	Screw	

Panels



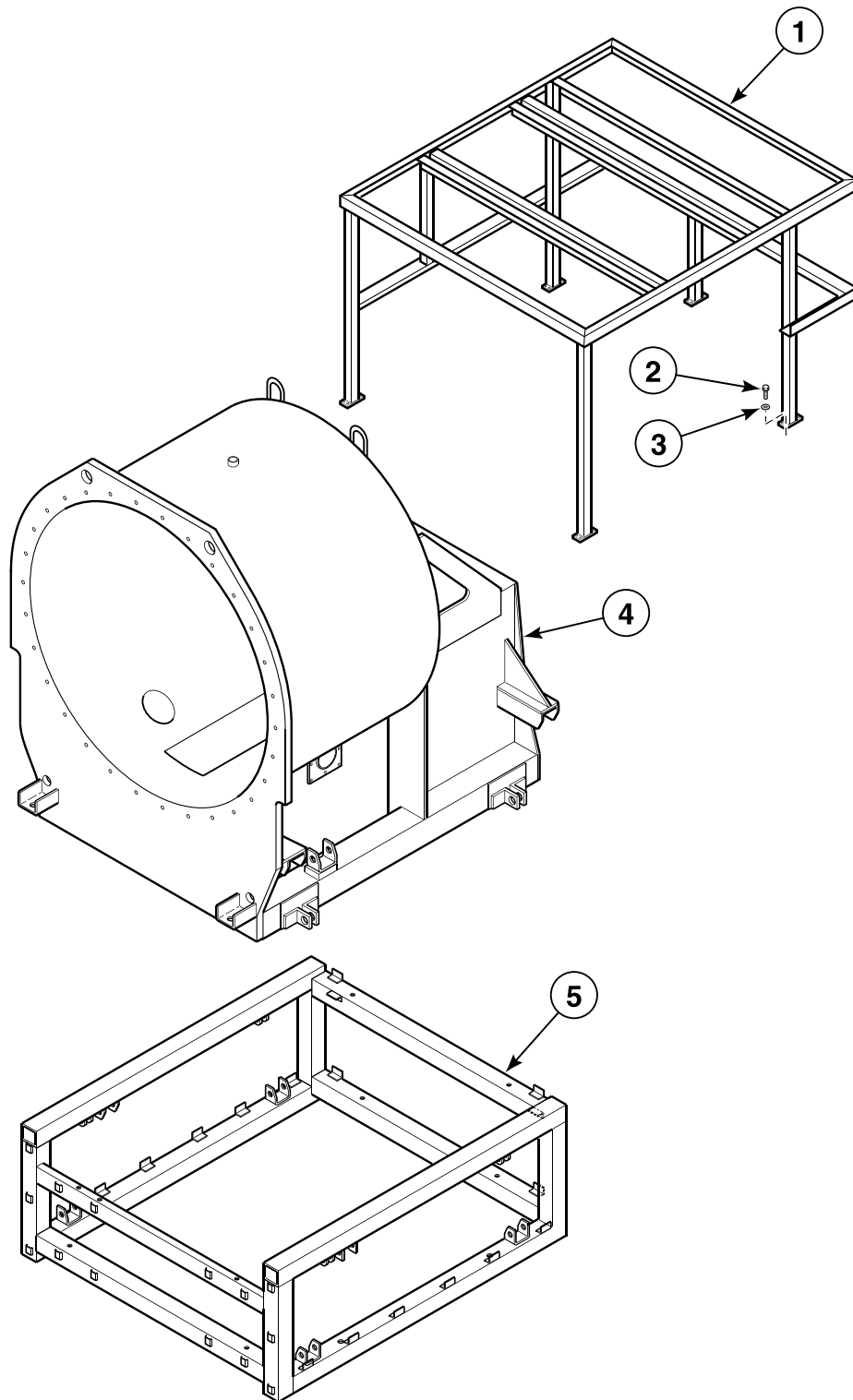
CFS1936P_F232007

Panels

REF	PART NO.	DESCRIPTION	COMMENTS
1	F608653	Panel	
2	F430179	Screw	
3	N/A	Side Panel	Long
4	F430925	Screw	
5	F609866	Liquid Supply Hose Support	
6	F430215	Nut	
7	F758011-01	Front Top Cover Kit	Includes item 10
8	N/A	Top Rear Panel Kit	
9	F608652	Rear Top Cover	
10	F430986	Screw	
11	N/A	Upper Rear Panel	
12	F757008-01	Middle Rear Panel Kit	
13	F757610-01	Side Panel Kit	
14	F170171	Foam	
15	F230806	Logo Decal	Model UF250PV
	F231255	Control Panel Decal	Model SF250PV
16	F758215-01P	Upper Front Panel Kit	Includes item 2
17	F757610-01	Side Panel Kit	Includes items 2, 14, 21 and 22
18	F0631590-00	Side Cabinet Panel	Front
19	F758212-01	Right Front Column Kit	Includes item 21
20	F741311-01	Shell Front Kit	
21	F430985	Screw	
22	F190804	Cabinet Panel Latch	
23	F758214-01P	Front Cover Kit	Includes item 21
24	F150453	Rub Rail	Order 6 feet
25	F150397	Extrusion Insert	Order 6 feet
26	F200284601	Do Not Open Warning Decal	
27	F758213-01P	Left Front Column Kit	Includes item 21
28	F0608654-00P	Cabinet Panel	
29	F170172	Foam	

N/A = Part no longer available

Frame and Shell

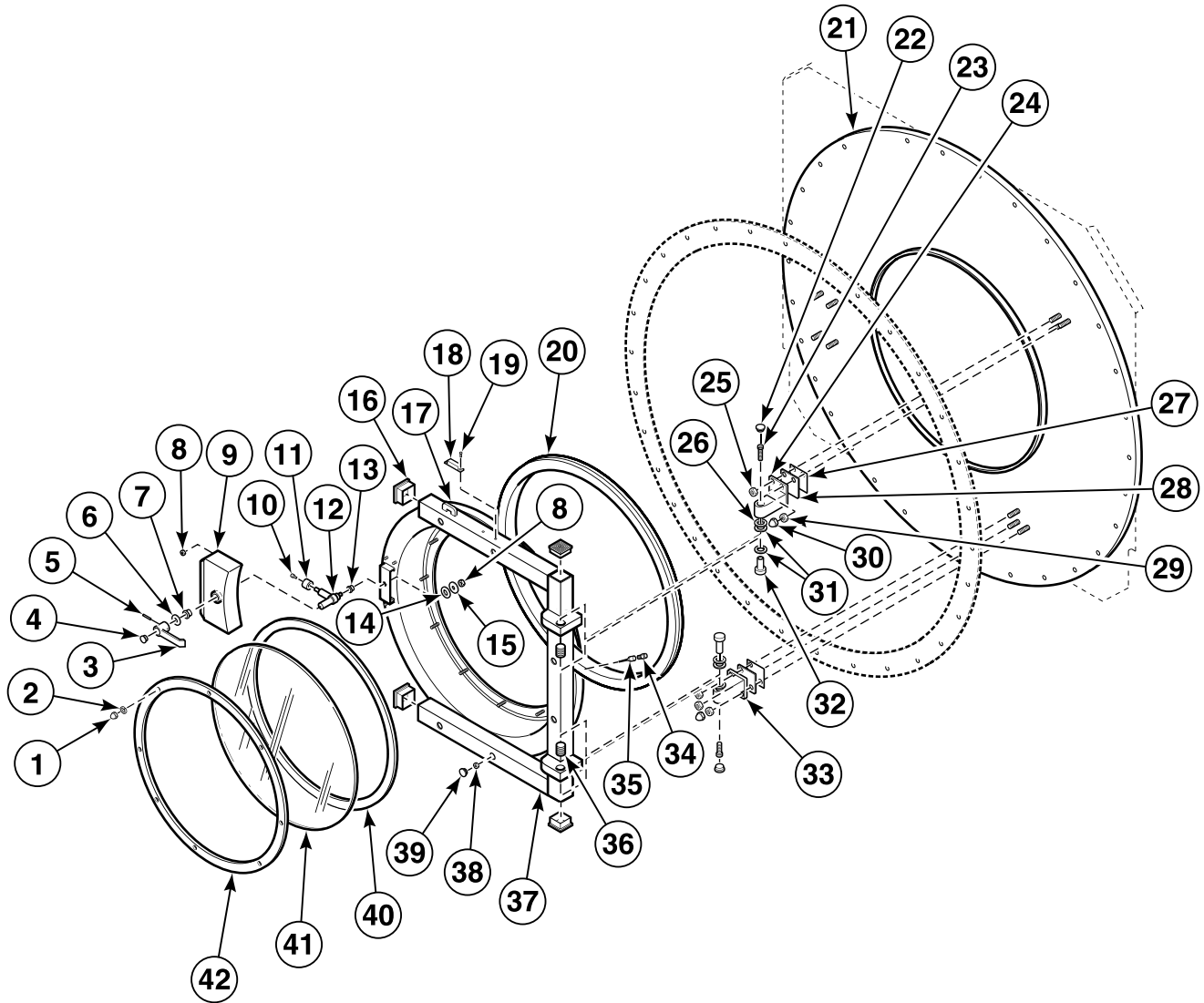


CFS1866P_F232007

Frame and Shell

REF	PART NO.	DESCRIPTION	COMMENTS
1	F608644	Column Set Weldment	
2	F430935	Screw	
3	F431100	Washer	
4	F0635819-00	Shell Weldment Assembly	Design 3 models
	F636271-01	Shell Kit	Includes shell weldment, door assembly, belt, belt tensioner assembly, basket, key, seal, sponge, gasket, shaft sleeve, support, rear bearing shims, plates, main shim mounting plates, cam, clamps, screws, locknuts, washers, decal (logo) and main drain pipe weldment
5	F608509	Frame Assembly	

Door Assembly (Drawing 1 of 2)



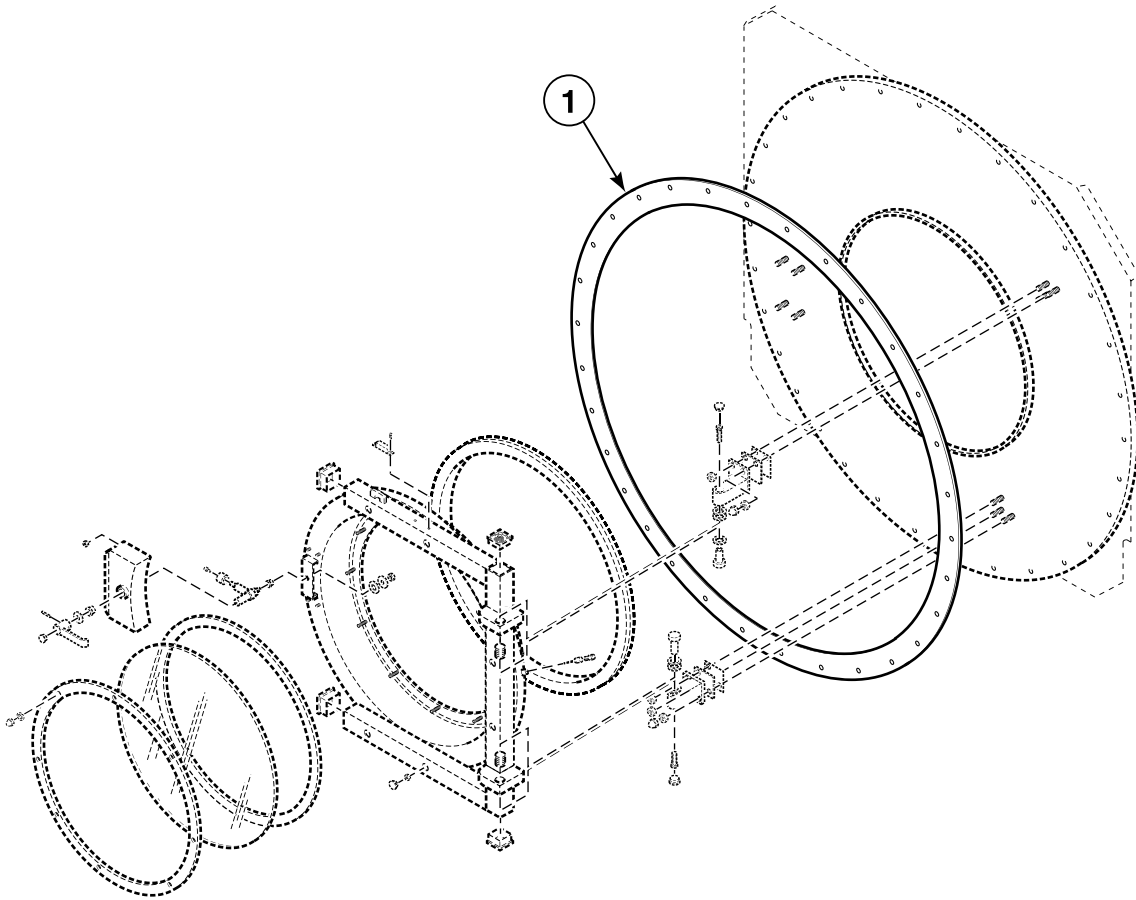
CFS1867P_F232007

Door Assembly (Drawing 1 of 2)

REF	PART NO.	DESCRIPTION	COMMENTS
	F634085	Door Hinge Assembly	Standard models; Includes items 1-17 and 20-42
	F0634085-02	Door Hinge Assembly	Tilt models; Includes items 1-42
	F746503	Door Lock Pivot Kit	Includes items 5-8 and 10-15
1	F431027	Nut	
2	F431137	Washer	
3	F150225	Door Handle	
4	F140563	Plug	
5	F431222	Spring Pin	
6	F431907	Washer	
7	F280253	Bushing	
8	F431024	Nut	
9	F634113	Front Lock Pivot Weldment	
10	F340502P	Switch Magnet	
11	F100145	Follower Cam	
12	F608536	Pivot Lock Weldment	
13	F280252	Bushing	
14	F431143	Washer	
15	F431142	Washer	
16	N/A	Plug	
17	F634122P	Door Weldment	
18	F340703	Magnet	Tilt models
19	F430916	Screw	Tilt models
20	F170168	Door Gasket	
21	F741311-01	Shell Front Kit	
22	F190309	Cap Plug	
23	F432285	Screw	
24	F0150284-00	Upper Hinge Base	
25	F431036	Nut	
26	F431933	Washer	
27	F631662	Hinge Shim	
28	F0150283-00	Lower Hinge Base	
29	F431001	Nut	
30	F431047	Nut	
31	F431934	Washer	
32	F432306	Hinge Pin	
33	F0150283-00	Lower Hinge Base	
34	F608984	Fitting	
35	F250704	Inflation Needle	
36	F280293	Bearing Sleeve	
37	F634083	Door Hinge Weldment	
38	F430218	Nut	
39	F140527	Plug	
40	F170169	Door Glass Gasket	
41	F290216P	Door Glass Kit	
42	F320146	Door Glass Retainer	

N/A = Part no longer available

Door Assembly (Drawing 2 of 2)

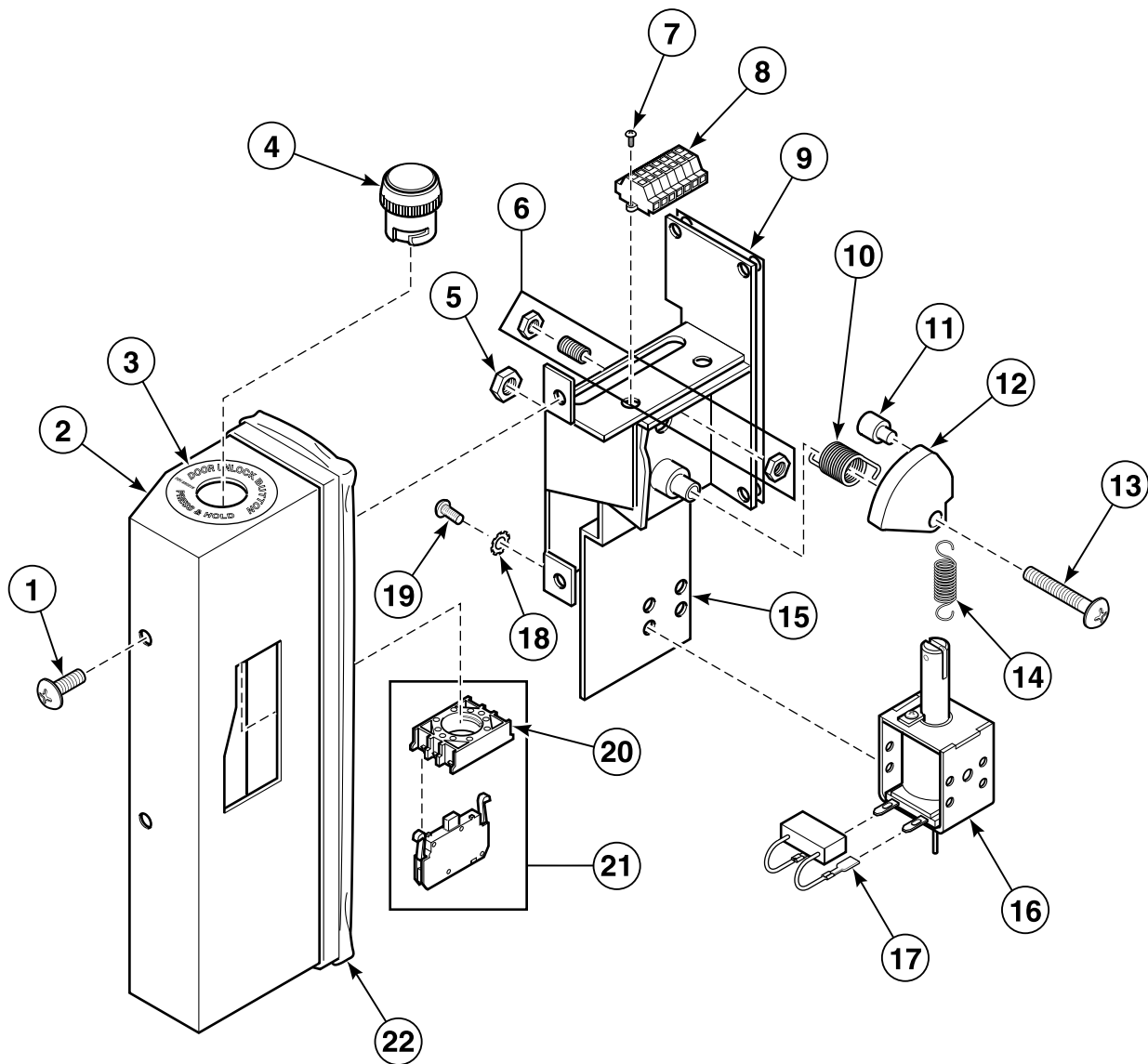


CFS1867PA_F232007

Door Assembly (Drawing 2 of 2)

REF	PART NO.	DESCRIPTION	COMMENTS
1	F170163	Gasket	

Door Lock



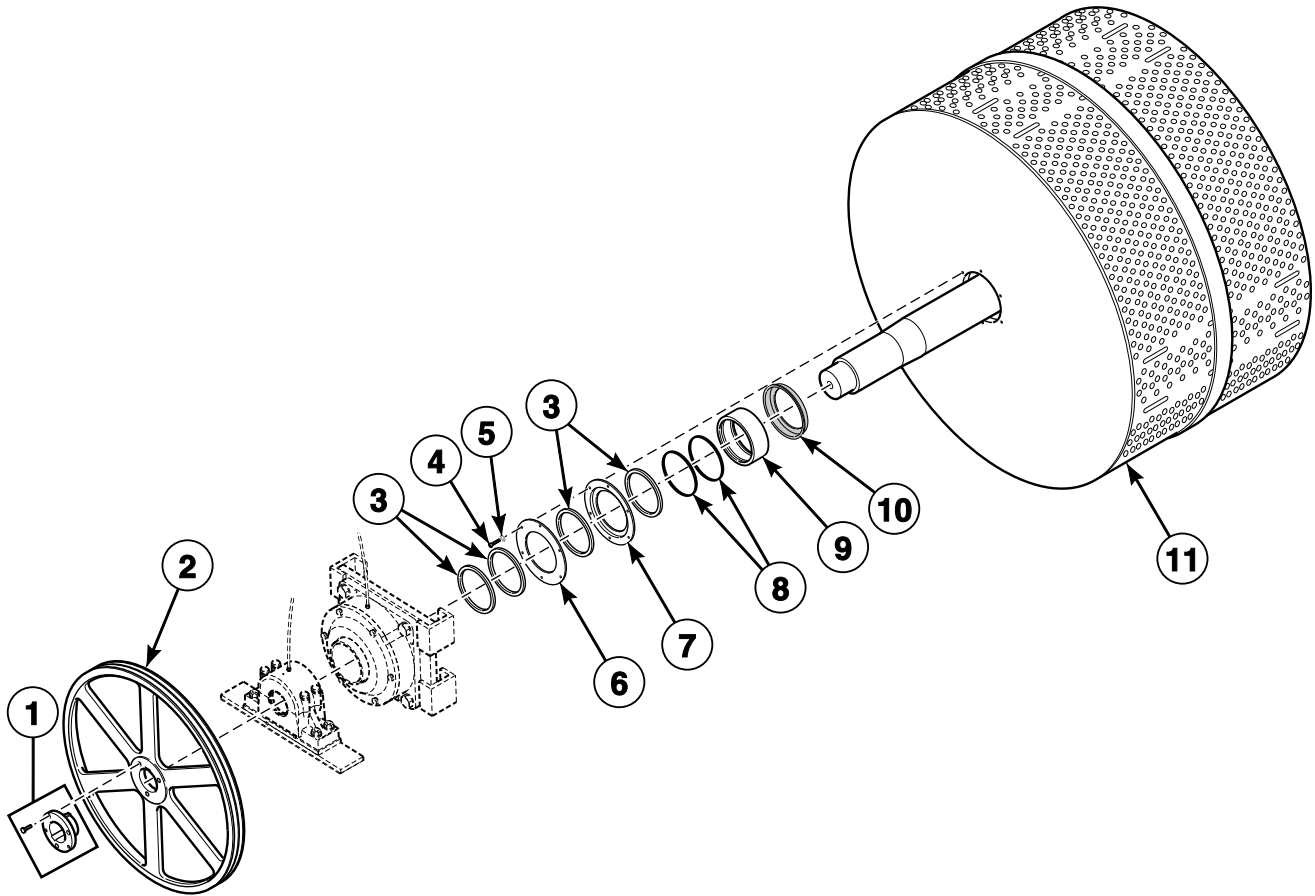
CFS80P_F232007

Door Lock

REF	PART NO.	DESCRIPTION	COMMENTS
	F746505	Door Lock Kit	Includes items 1-4 and 20-22
1	F430985	Screw	
2	F608542	Door Lock Cover Weldment	
3	F230816	Door Unlock Decal	
4	N/A	Momentary Pushbutton	800E-series; Order F8069902P Button Kit
	F8069902P	Button Kit	Used to convert from 800E-series to 800F-series; Includes F8069602 Momentary Pushbutton and F200233400 Contact Block Switch
	F8069602	Momentary Pushbutton	800F-series
5	F430215	Nut	
6	F340503P	Hall Effect Sensor Switch	Includes nuts
7	F430928	Screw	
8	F140766	Terminal	8 pole
9	F608548	Door Lock Base Shim	
10	F310133	Door Cam Torsion Spring	
11	F340502P	Switch Magnet	
12	F0150518-00	Door Lock Cam	
13	F430921	Screw	
14	F310107	Spring	
15	F0608539-00	Door Lock Bracket Weldment	
16	F300122P	Intermittent Duty Solenoid	
17	F330217P	RC Network Filter	Includes F140627 Connector and F141022 Connector
18	F431106	Washer	
19	F430995	Screw	
20	F330153	Block Contactor	
21	F340444	Contact Block and Mounting Switch	Includes item 20; 800E-series
	F200233400	Contact Block Switch	800F-series
22	F170404	Trim	

N/A = Part no longer available

Basket and Pulley

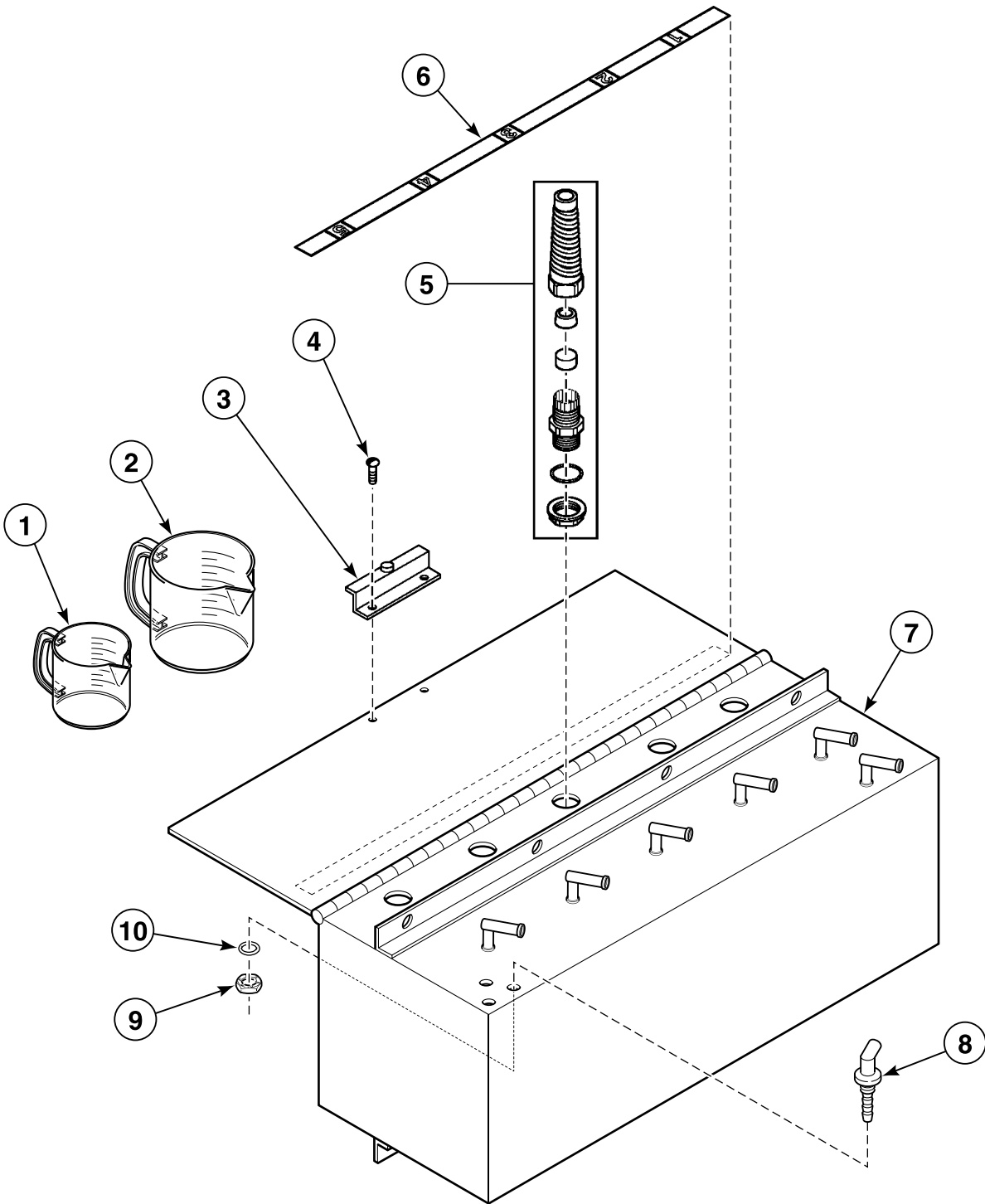


CFS1946P_F232007

Basket and Pulley

REF	PART NO.	DESCRIPTION	COMMENTS
1	F280266	Driven Sheave Bushing	Includes screws
2	F280263	Pulley	
3	F100270	V-Ring Seal	Standard
	F100275	V-Ring Seal	Viton
4	F430939	Screw	
5	F431100	Washer	
6	F608687	Rear Seal Contact Plate	
7	F320202	Shell Rear Seal Support	
8	F170214	O-Ring	
9	F400376	Shaft Sleeve	
10	F170173	Sponge	Order 2 feet
11	F608400	Basket Assembly	

Supply Dispenser



CFS1921P F232007

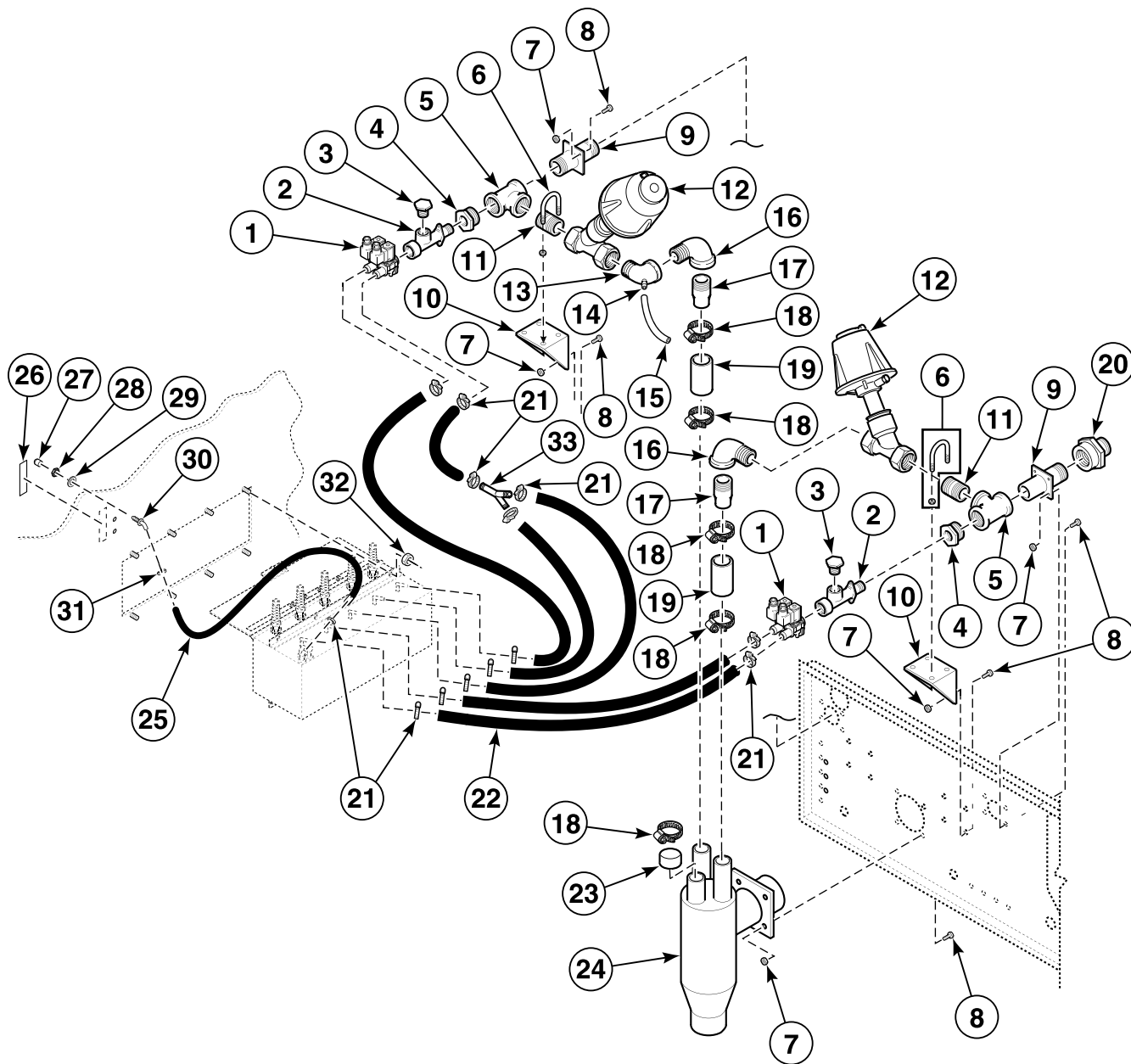
Supply Dispenser

REF	PART NO.	DESCRIPTION	COMMENTS
	F749001	Supply Dispenser Kit	
1	F170408	Beaker	1000 ml
2	F170409	Beaker	2000 ml
3	F190106	Pull Handle	
4	F430902	Screw	
5	F749802	Strain Relief Adapter Kit	
6	N/A	Decal	
7	F608551	Supply Box Weldment	
8	F8322001	Injection Nozzle	
	F730168	Injection Nozzle Kit	Includes items 9 and 10
9	802292	Nut	
10	F170208	O-Ring	

N/A = Part no longer available

Water Supply Valve and Hoses - Old Style

2-Way Valve



CFS1922P_F232007

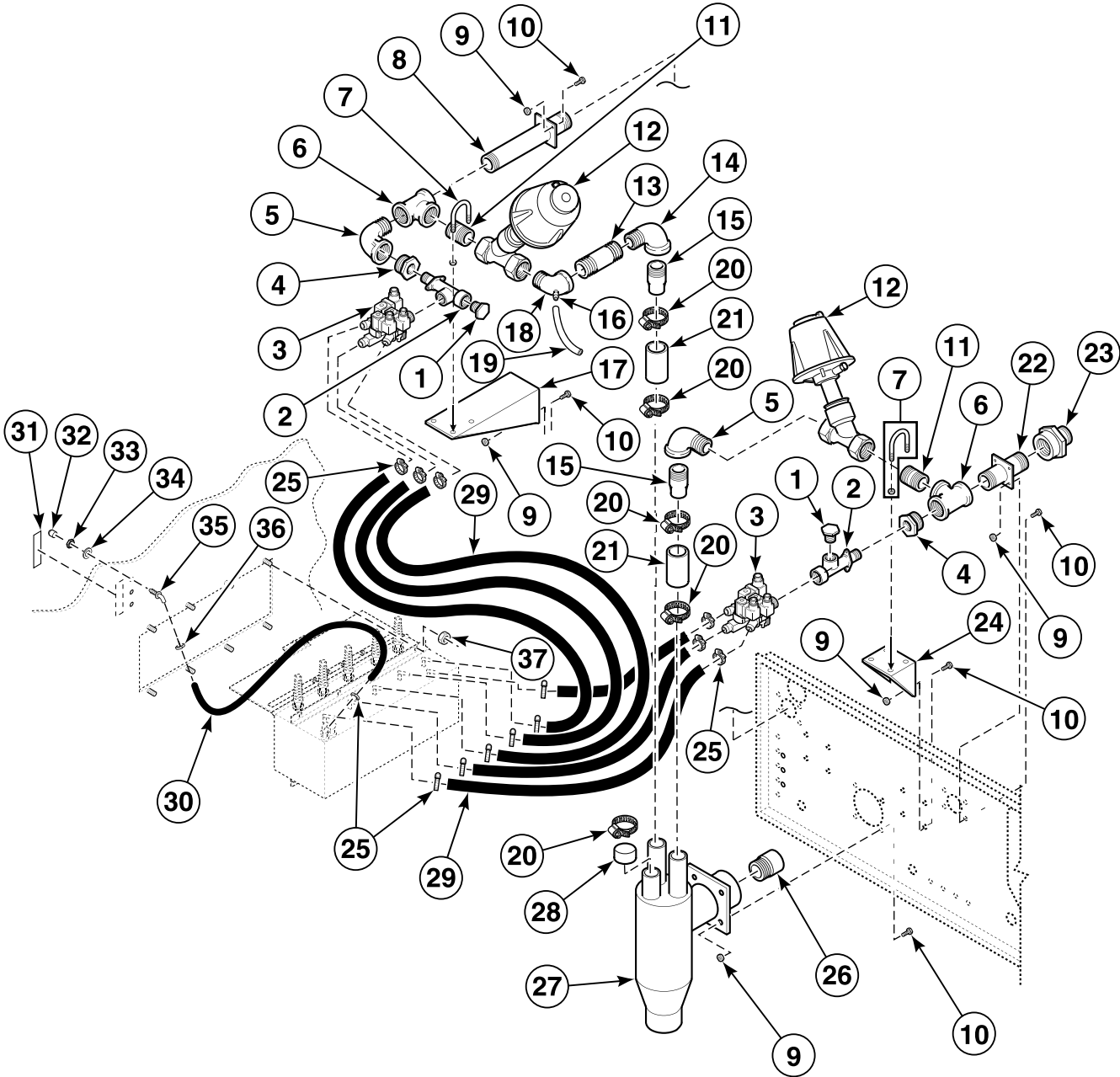
Water Supply Valve and Hoses - Old Style

REF	PART NO.	DESCRIPTION	COMMENTS
1	F380952P	2-Way Valve	120 Volt
2	F150246	Water Connection Inlet Manifold	
3	F421507	Plug	
4	F420204	Reducer Bushing	
5	F420418	Tee	
6	N/A	U-Bolt Clamp	Includes nuts
7	F431024	Nut	
8	F430929	Screw	
9	F608573	Water Inlet Weldment	
10	F608575	Valve Support Bracket	
11	F420156	Nipple	
12	F380506	Valve	
13	N/A	Elbow	
14	J1407741	Swivel Tubing Elbow	
15	F200131P	Hose	
16	F420512	Street Elbow	
17	F421336	Nipple	
18	F200215	Hose Clamp	No. 28
19	F150377	Overflow Hose	
20	F0420734-00	Hose Adapter	
21	36801	Hose Clamp	No. 8
22	F200108P	Water Hose	
23	F190305	Cap	
24	F633183	Vacuum Breaker Weldment	
25	F200168P	Tubing	
26	F231346	External Supply Decal	
27	F190303	Cap	
28	F431001	Nut	
29	F431131	Washer	
30	F8322001	Injection Nozzle	
31	F200217	Hose Clamp	
32	F430215	Nut	
33	F422808	Y Connector	

N/A = Part no longer available

Water Supply Valve and Hoses - New Style

3-Way Valve



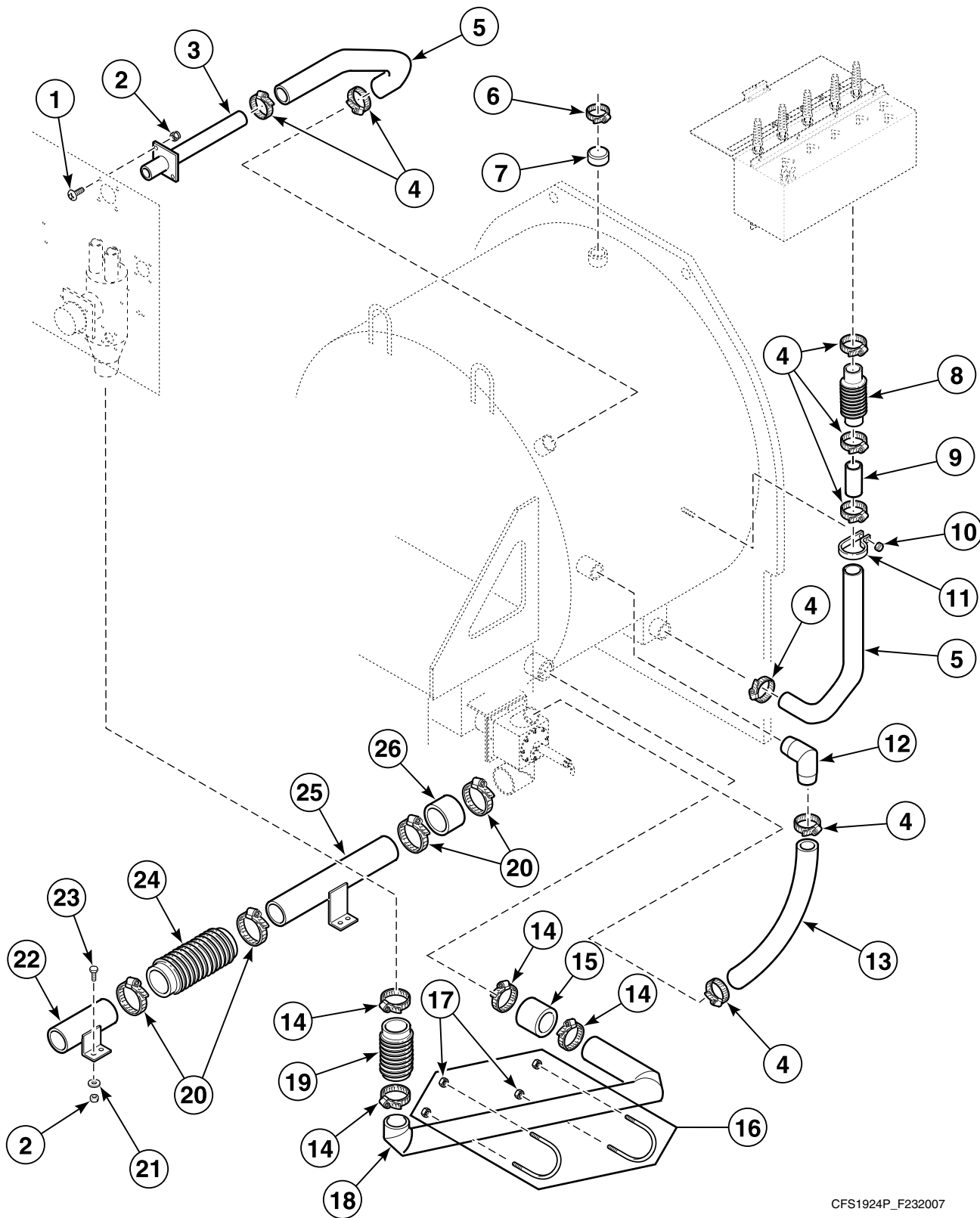
CFS1923P_F232007

Water Supply Valve and Hoses - New Style

REF	PART NO.	DESCRIPTION	COMMENTS
1	F421507	Plug	
2	F150246	Water Connection Inlet Manifold	
3	F381725P	3-Way Valve	120 Volt
4	F420204	Reducer Bushing	
5	F420512	Street Elbow	
6	F420418	Tee	
7	N/A	U-Bolt Clamp	Includes nuts
8	F608574	Water Inlet Weldment	
9	F431024	Nut	
10	F430929	Screw	
11	F420156	Nipple	
12	F380506	Valve	
13	F421334	Nipple	
14	F420513	Elbow	
15	F421336	Nipple	
16	J1407741	Swivel Tubing Elbow	
17	F608576	Valve Support Bracket	
18	N/A	Elbow	
19	F200131P	Hose	
20	F200215	Hose Clamp	No. 28
21	F150377	Overflow Hose	
22	F608573	Water Inlet Weldment	
23	F0420734-00	Hose Adapter	
24	F608575	Valve Support Bracket	
25	36801	Hose Clamp	No. 8
26	F380117	Vacuum Breaker	
27	F633183	Vacuum Breaker Weldment	
28	F190305	Cap	
29	F200108P	Water Hose	
30	F200168P	Tubing	
31	F231346	External Supply Decal	
32	F190303	Cap	
33	F431001	Nut	
34	F431131	Washer	
35	F8322001	Injection Nozzle	
36	F200217	Hose Clamp	
37	F430215	Nut	

N/A = Part no longer available

Hose Assemblies



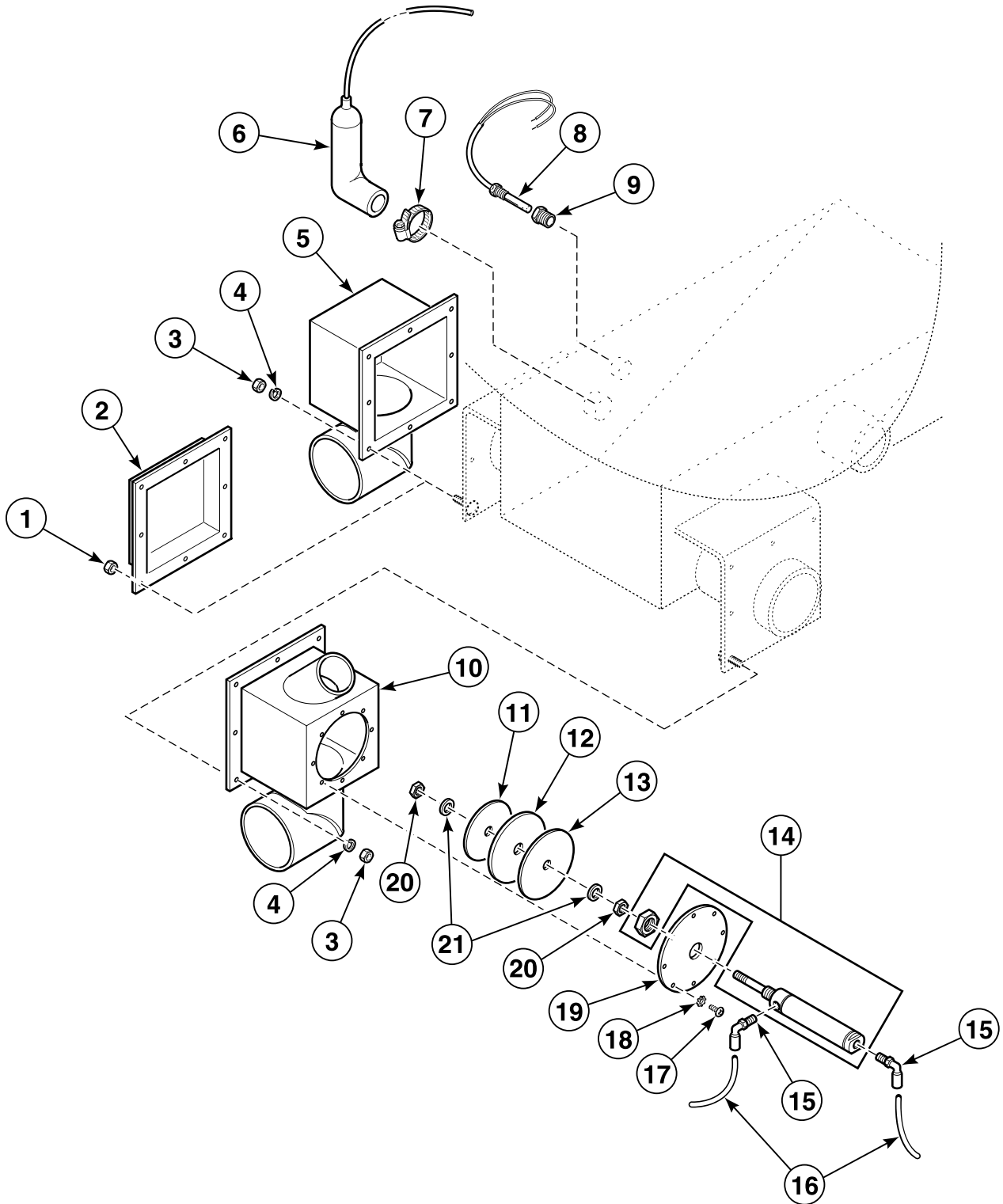
CFS1924P_F232007

Hose Assemblies

REF	PART NO.	DESCRIPTION	COMMENTS
1	F430929	Screw	
2	F431024	Nut	
3	F608628	Vent Pipe Weldment	
4	F200213	Hose Clamp	No. 40
5	F200172	Supply Hose	Lower
6	90554	Hose Clamp	No. 24
7	F150352	Overflow Plug	
8	F200171	Supply Hose	Upper
9	F608599	Inlet Connection Pipe	
10	F430215	Nut	
11	F140645	Cable Clamp	
12	F0637627-00	Elbow Weldment	Models starting Serial No. 3070338103
13	F200105	Hose	Order 4 feet
14	F200201	Hose Clamp	No. 48
15	F610376P	Drain Hose	
16	N/A	U-Bolt Clamp	Includes item 17
17	F430218	Nut	
18	F608594	Water Supply Weldment	
19	F200103	Water Hose	Order 1 foot
20	F200220	Hose Clamp	No. 64
21	F431100	Washer	2 required per bolt
22	F608610	Drain Connection Pipe Weldment	Models through Serial No. 0500171003
	F631340	Drain Connection Pipe Weldment	Models starting Serial No. 0500171004
23	F390301	Stud	
24	F200178	Drain Hose	
25	F608607	Drain Manifold Pipe Weldment	Models through Serial No. 0500171003
	F631337	Drain Manifold Pipe Weldment	Models starting Serial No. 0500171004
26	F608611	Hose	

N/A = Part no longer available

Air Trap, Temperature Probe and Drain Valve Assembly



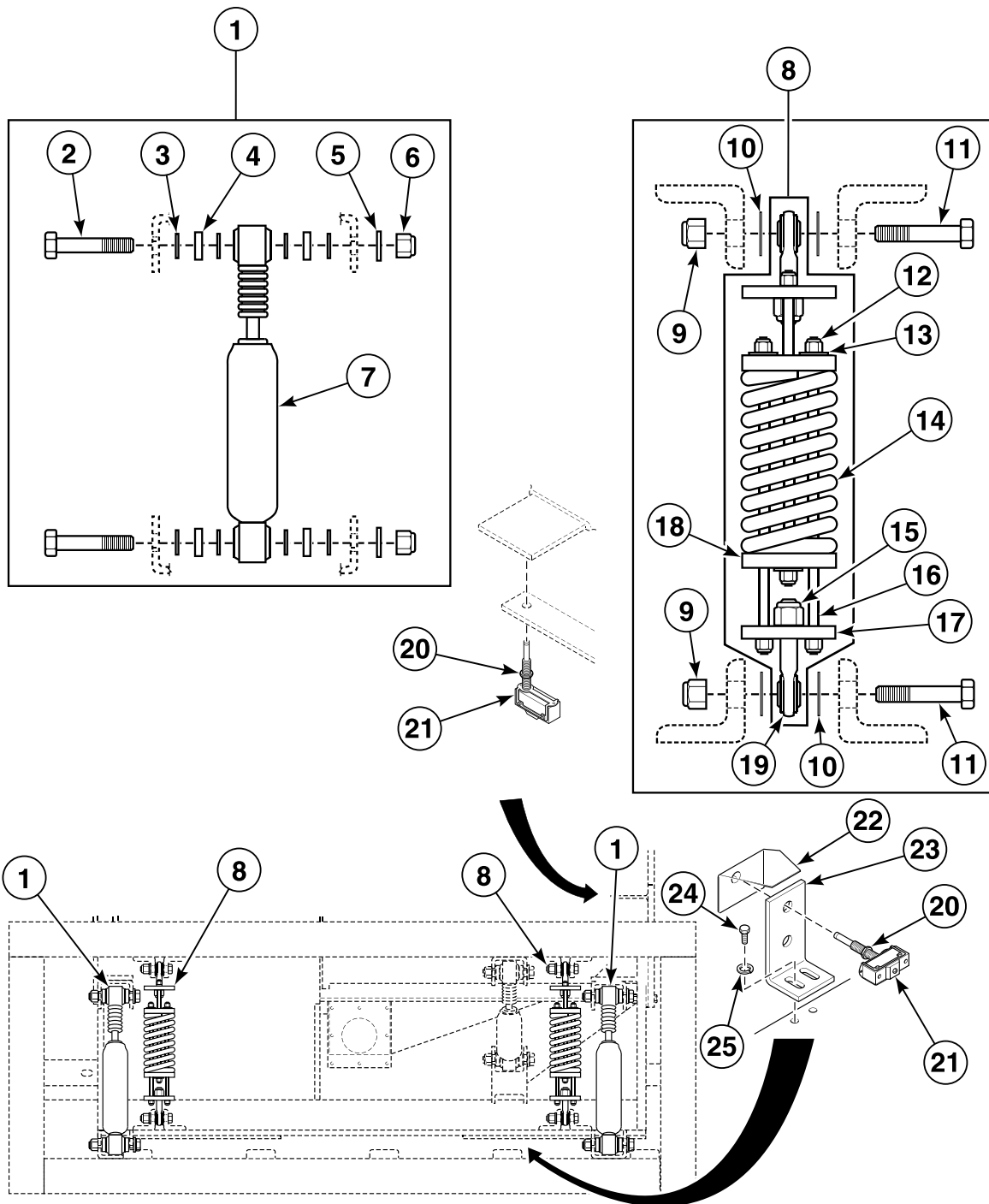
CFS1890P_F232007

Air Trap, Temperature Probe and Drain Valve Assembly

REF	PART NO.	DESCRIPTION	COMMENTS
	F609370	Drain Valve Box Assembly	Includes items 5, 11-15, 19 and 20
1	F431024	Nut	
2	F607680	Drain Valve Cover Weldment	
3	F431005	Nut	
4	F431100	Washer	
5	N/A	Drain Valve Box Weldment	
6	F200163	Air Trap Hose	
7	F200215	Hose Clamp	No. 28
8	F370606P	Temperature Probe	
9	F421936	Reducer Bushing	
10	F607124	Drain Valve Box Weldment	
11	F602833	Washer	
12	F100267	Drain Seal	
13	F602827	Seal Holder	
14	F250308P	Air Cylinder	
15	J1407741	Swivel Tubing Elbow	
16	F200184P	Hose	
17	F430903	Screw	
18	F431106	Washer	
19	F602834	Cylinder Mounting Plate	
20	F431018	Nut	
21	F431105	Washer	

N/A = Part no longer available

Shock and Spring Assembly



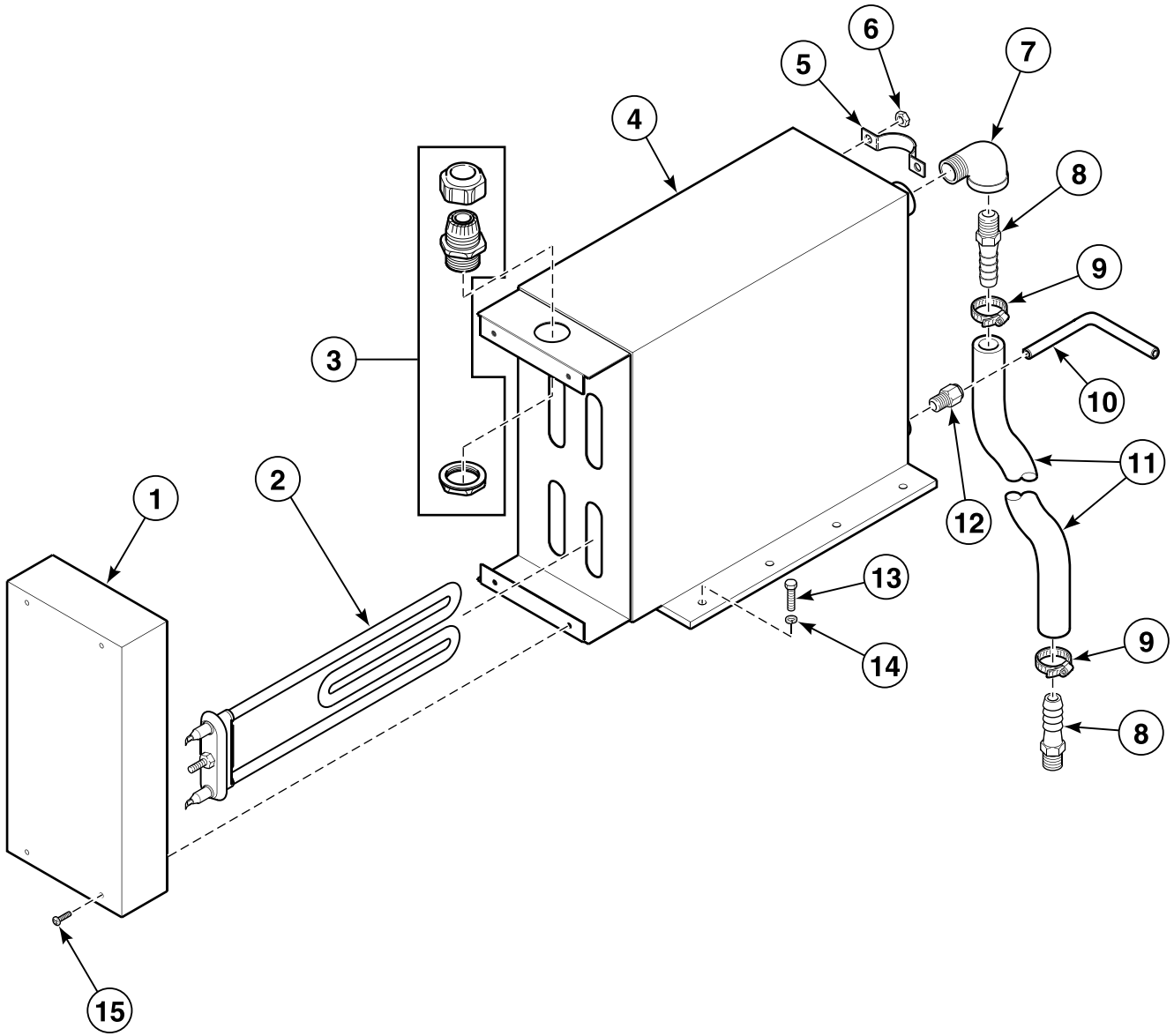
CFS1918P_F232007

Shock and Spring Assembly

REF	PART NO.	DESCRIPTION	COMMENTS
1	F790204	Shock Kit	Includes items 2-7
2	F430163	Screw	
3	F431921	Washer	
4	F432304	Shock Absorber Spacer	
5	F430705	Washer	
6	F430245	Nut	
7	F250502	Shock Absorber	
8	F608502P	Spring Assembly	Includes items 12-19
9	F430202	Nut	
10	F431908	Washer	
11	F430952	Bolt	
12	F430248	Nut	
13	F8171201	Washer	
14	N/A	Spring	
15	F430246	Nut	
16	N/A	Spring Guide Rod	
17	F608504F	Support Rod Plate	
18	F290304	Spring End	
19	F0100167-00	Rod End Bearing	
20	F340913	Switch Extension	
21	F340901	Switch	
22	F320200	Door Lock Splash Shield	
23	F608597	Out-of-Balance Switch Bracket	
24	F430935	Screw	
25	F431100	Washer	

N/A = Part no longer available

External Brake Resistor



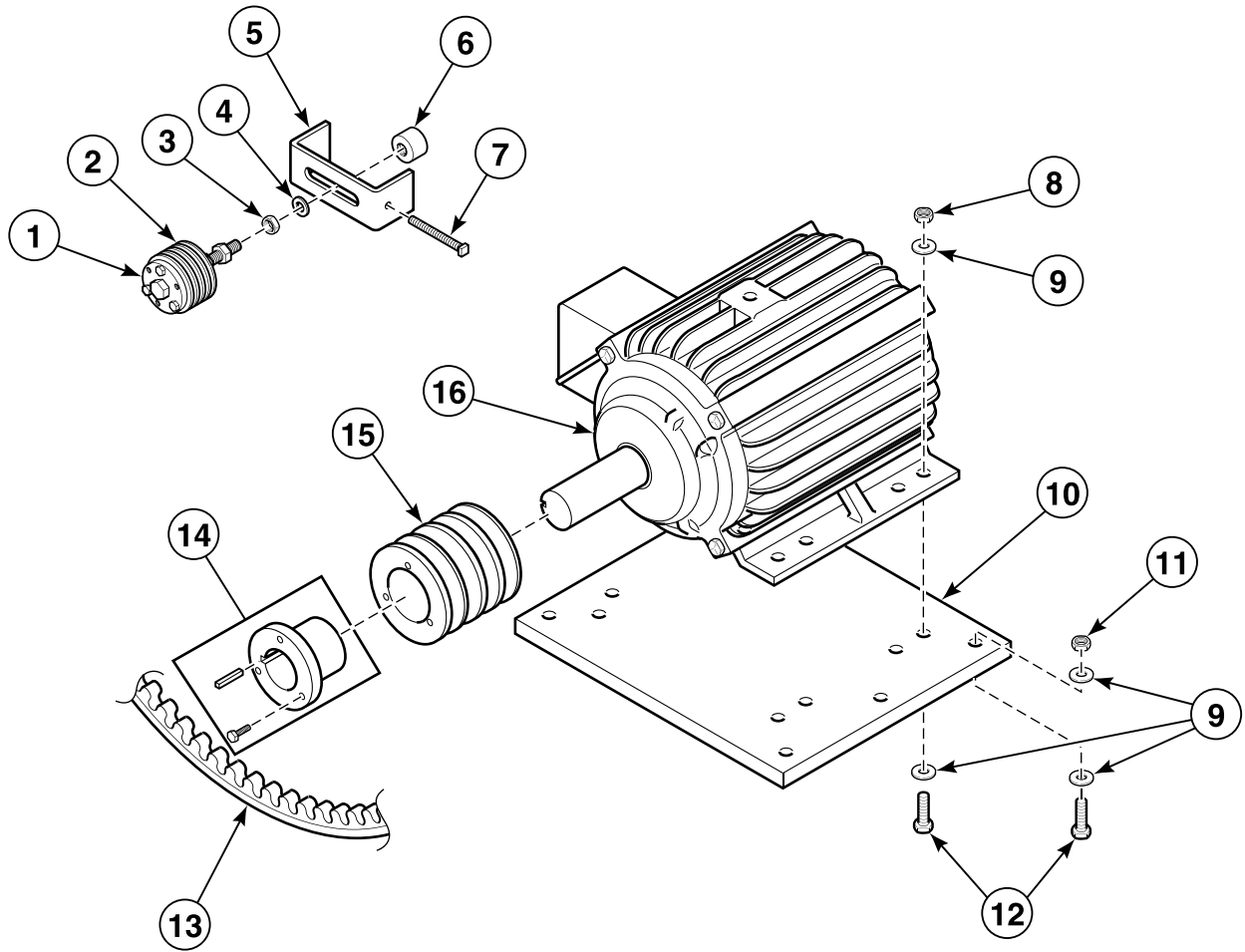
CFS1888P_F232007

External Brake Resistor

REF	PART NO.	DESCRIPTION	COMMENTS
1	F608489	Brake Resistor Tank Cover	
2	F360205P	Element	220 Volt
3	F140331	Strain Relief Connector	PG21
4	F609992	Brake Resistor Tank Weldment	
5	N/A	Restraint Bracket	
6	F430215	Nut	
7	F421703	Street Elbow	
8	F421930	Hose Barb	
9	36801	Hose Clamp	No. 8
10	F200131P	Hose	
11	F200199P	Water Hose	
12	J1463835-00	Quick Tubing Connector	
13	F430935	Screw	
14	F431100	Washer	
15	F430986	Screw	

N/A = Part no longer available

Motor

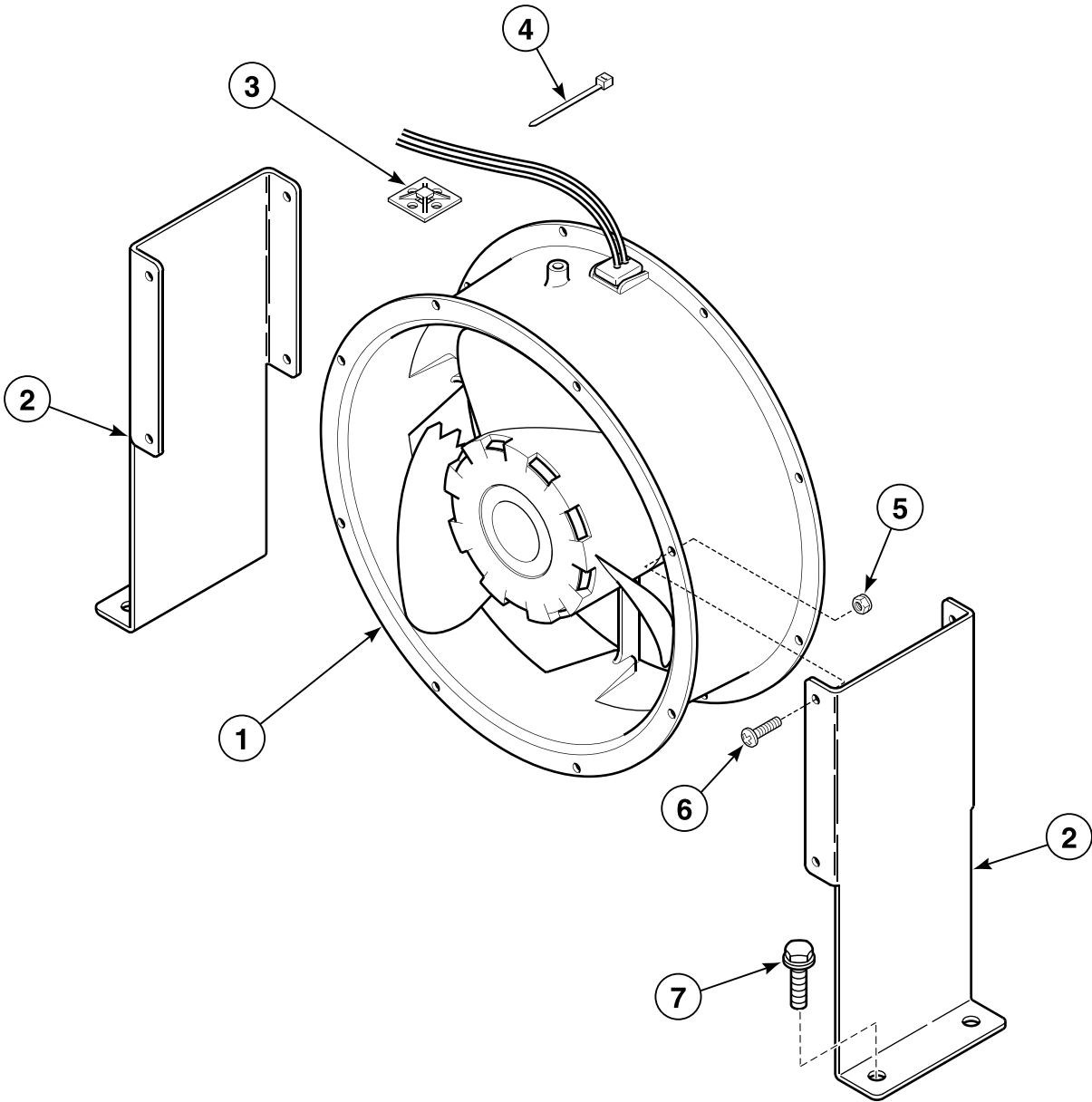


CFS1930P_F232007

Motor

REF	PART NO.	DESCRIPTION	COMMENTS
	F633758	Belt Tensioner Assembly	Includes items 1-4, 6 and 7
1	F280291	Idler Bushing	
2	F280292	Pulley	
3	F200170400	Nut	
4	F430345	Washer	
5	F633099	Belt Bracket	
6	F280376	Belt Tensioner Hub	
7	F430528	Screw	
8	F430237	Nut	
9	F430339	Washer	
10	F608486F	Motor Shim Plate	
11	F430239	Nut	
12	F430949	Screw	
13	F0280379-00	Belt	4 required
14	F280262	Driven Sheave Bushing	
15	F280261P	Pulley	
16	F220221	Motor	230 or 460 Volt; AC drive parameters must be compatible with the motor and motor pulley. Please request the AC drive parameter illustration for parameter verification when ordering a motor.

Motor Cooling Fan



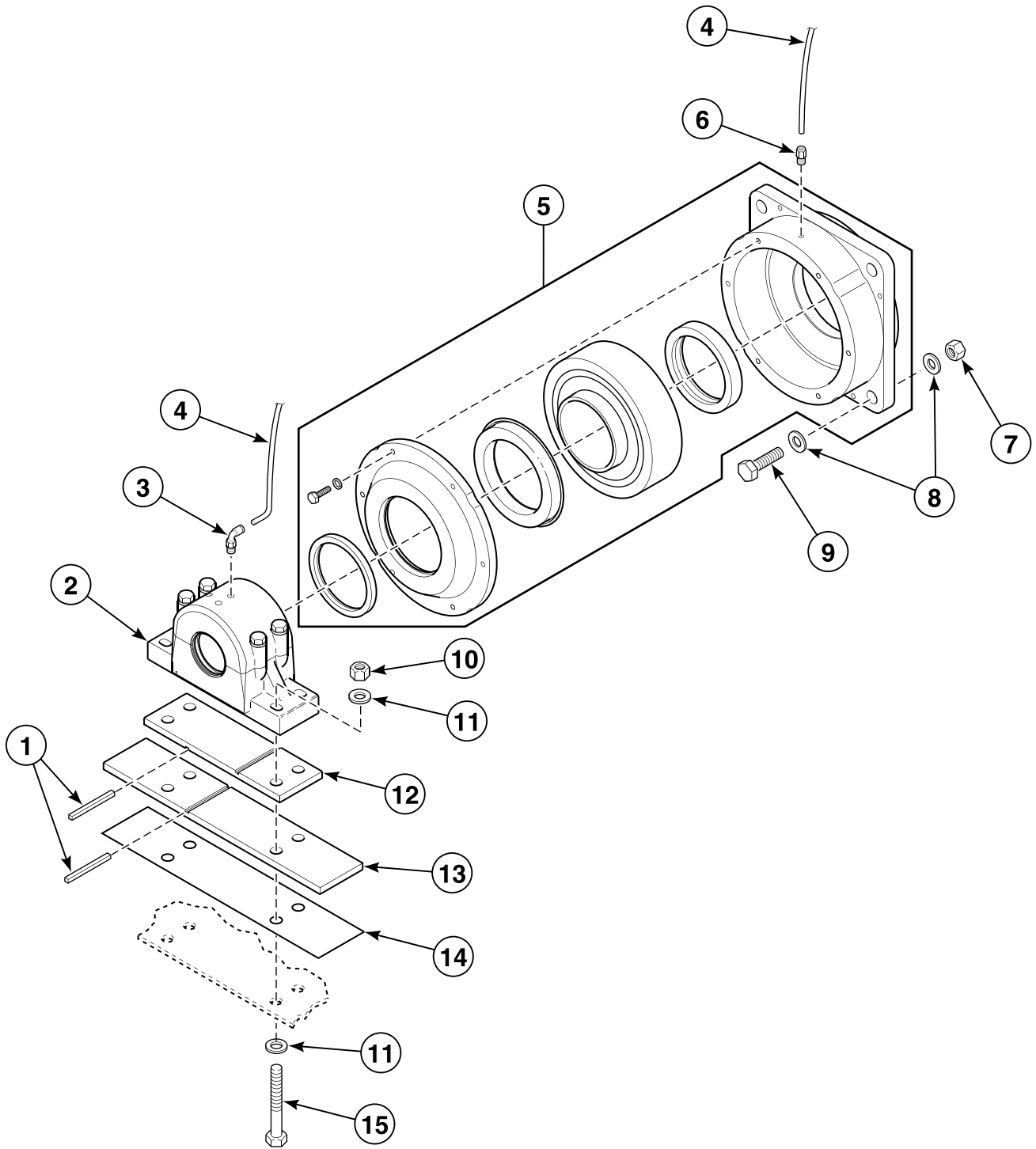
R065P_F232007

Motor Cooling Fan

REF	PART NO.	DESCRIPTION	COMMENTS
1	F110101	Muffin Fan	
2	N/A	Fan Mounting Bracket	
3	F140602	Tie Wrap Mounting Clamp	
4	F140605	Cable Tie	
5	F431017	Nut	
6	201415	Screw	
7	F430115	Screw	

N/A = Part no longer available

Bearing Assembly



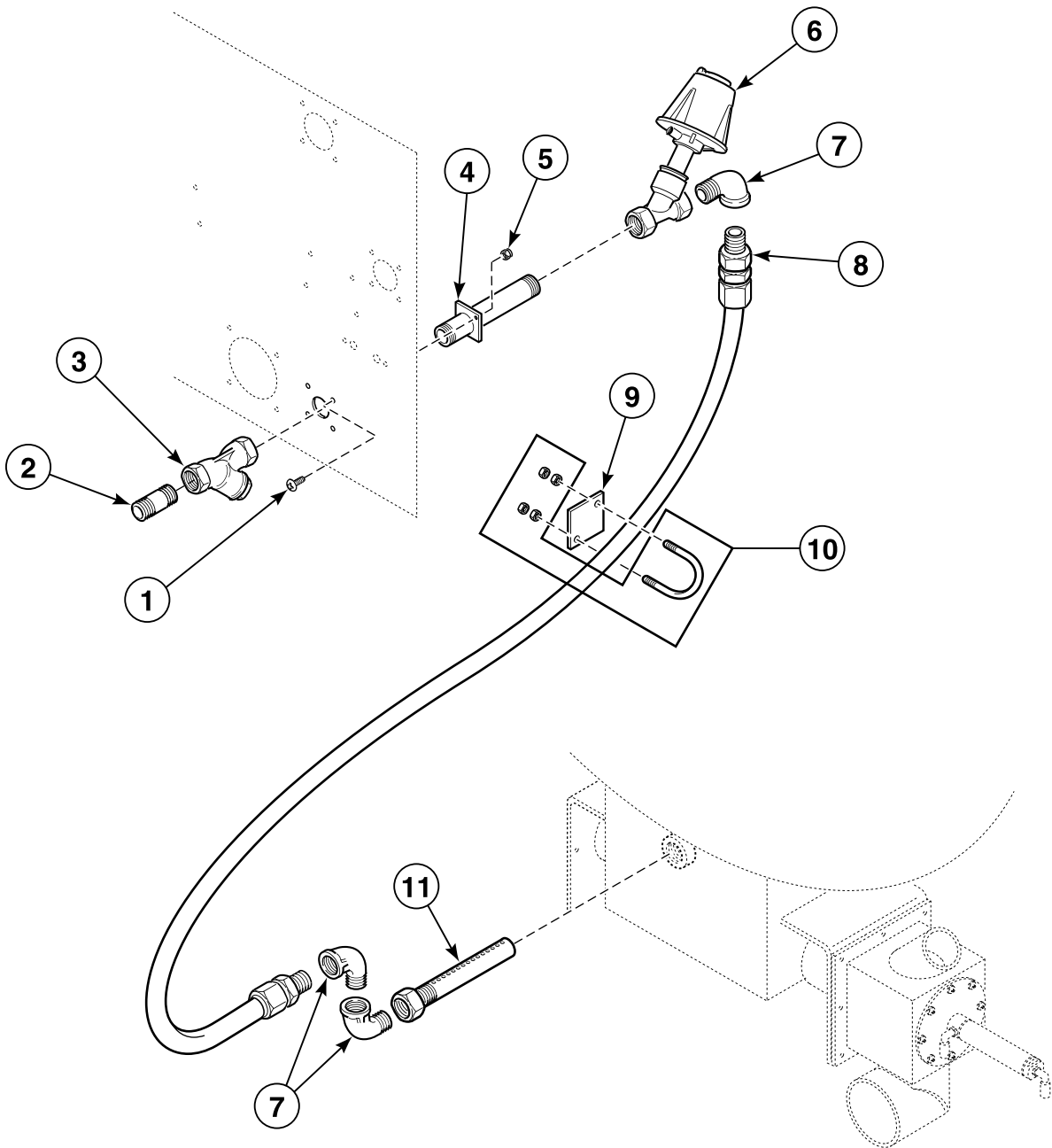
CFS1875P_F232007

Bearing Assembly

REF	PART NO.	DESCRIPTION	COMMENTS
	F761900	Grease Manifold Kit	Includes F190701 Grease Fitting, F200190P Tubing (20 feet), F231064 Lube Instruction Decal, F320326 Grease Manifold, F430925 Screw and J1408004 Connector
1	N/A	Bearing Key	
2	F745013	Rear Bearing Kit	
3	J1407741	Swivel Tubing Elbow	
4	F200184P	Hose	
5	F745014-01	Front Bearing Kit	Includes seal, housing cover, adapter unit, bearing and bearing housing; Standard seal
	F745014-02	Front Bearing Kit	Includes seal, housing cover, adapter unit, bearing and bearing housing; Viton seal
6	J1408004	Connector	
7	F430236	Nut	
8	F430706	Washer	
9	F430184	Screw	
10	F430245	Nut	
11	F0430351-00	Washer	
12	F0608461-00	Bearing Mounting Plate	
13	F0608462-00	Main Bearing Shim	
14	F0608456-01	Shim	11 gauge
	F0608456-02	Shim	16 gauge
15	F430158	Screw	

N/A = Part no longer available

Steam Heat Kit

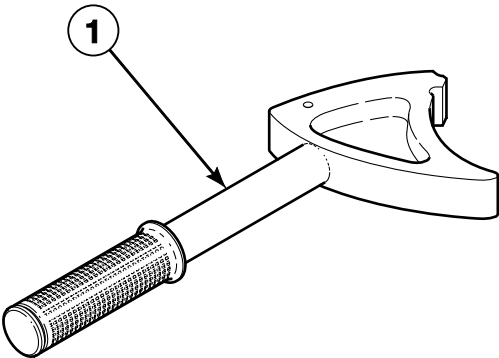


CFS1925P_F232007

Steam Heat Kit

REF	PART NO.	DESCRIPTION	COMMENTS
	F836P3	Steam Heat Kit	Includes items 1-11
1	F430925	Screw	
2	F421319	Nipple	
3	F270201	Strainer	
4	F608672	Steam Inlet Flange Weldment	
5	F431024	Nut	
6	F380507	Valve	
7	F421102	Street Elbow	
8	F200196	Steam Hose	Includes fittings
9	F607661	Steam Hose Bracket	
10	F200412	U-Bolt Clamp	Includes nuts
11	F608678	Steam Injector Weldment	

Special Tools



CFS1945P_F232007

Special Tools

REF	PART NO.	DESCRIPTION	COMMENTS
1	F460126	Spanner Wrench	Rear bearing
	F460127	Spanner Wrench	Front bearing

Parts Index

A

AC Drive	
F8019101	11
F8019201	11
AC Drive Cover	
F631380	9
F631381	9
Air Cylinder	
F250308P	33
Air Trap Hose	
F200163	33
Air Valve	
F380718	7

B

Basket Assembly	
F608400	23
Battery	
F191101	5
Beaker	
F170408	25
F170409	25
Bearing Mounting Plate	
F0608461-00	43
Bearing Sleeve	
F280293	17
Belt	
F0280379-00	39
Belt Bracket	
F633099	39
Belt Tensioner Assembly	
F633758	39
Belt Tensioner Hub	
F280376	39
Block Contactor	
F330153	21
Bolt	
F430952	35
Brake Resistor Tank Cover	
F608489	37
Brake Resistor Tank Weldment	
F609992	37
Brake Unit	
F370824	9
F370826	9
Bushing	
F280252	17
F280253	17
Button Kit	
F8069902P	21
Buzzer	
F300203P	5

C

Cabinet Panel	
F0608654-00P	13
Cabinet Panel Latch	
F190804	7, 13
Cable Assembly	
F606682	5
Cable Clamp	
F140645	31
Cable Tie	
F140605	41
Cap	
F190303	27, 29
F190305	27, 29
Cap Plug	
F190309	17
Circuit Breaker	
C000302P	7
F350206	7
F350211	5
Column Set Weldment	
F608644	15
Computer and Control Box	
F630768	5
Conduit	
F140324	5
Connector	
J1408004	43
Contact Block and Mounting Switch	
F340444	21
Contact Block Switch	
F200233400	21
F200233401	5
F200299500	5
F340445	5
Contacto	
F330183	9
Control Panel Decal	
F231096	5
F231255	13
Cover Weldment	
F630832	5
Cylinder Mounting Plate	
F602834	33

D

Do Not Open Warning Decal	
F200284601	13
Door Cam Torsion Spring	
F310133	21
Door Gasket	
F170168	17
Door Glass Gasket	
F170169	17
Door Glass Kit	
F290216P	17

N/A items do not appear in index.

Door Glass Retainer F320146.....	17
Door Handle F150225.....	17
Door Hinge Assembly F0634085-02..... F634085.....	17 17
Door Hinge Weldment F634083.....	17
Door Lock Base Shim F608548.....	21
Door Lock Bracket Weldment F0608539-00.....	21
Door Lock Cam F0150518-00.....	21
Door Lock Cover Weldment F608542.....	21
Door Lock Kit F746505.....	21
Door Lock Pivot Kit F746503.....	17
Door Lock Splash Shield F320200.....	35
Door Relief Valve Regulator F380118P.....	7
Door Unlock Decal F230816.....	21
Door Weldment F634122P.....	17
Drain Connection Pipe Weldment F608610..... F631340.....	31 31
Drain Hose F200178..... F610376P.....	31 31
Drain Manifold Pipe Weldment F608607..... F631337.....	31 31
Drain Seal F100267.....	33
Drain Valve Box Assembly F609370.....	33
Drain Valve Box Weldment F607124.....	33
Drain Valve Cover Weldment F607680.....	33
Drive Box Weldment F631434.....	9
Driven Sheave Bushing F280262..... F280266.....	39 23

E

Elbow F420513.....	29
Elbow Weldment F0637627-00.....	31
Electrical Box Cover F631490.....	9
Electrical Box Weldment F632841.....	7

Element F360205P.....	37
Emergency Stop Button Kit F200233700P.....	5
Emergency Stop Pushbutton F200233500.....	5
External Supply Decal F231346.....	27, 29
Extrusion Insert F150397.....	13

F

Filter F200318900P.....	9
Filter Retainer Guard F220900.....	9
Fitting F140325..... F608984.....	5 17
Flange Relay F330227.....	5
Foam F170171..... F170172.....	13 13
Follower Cam F100145.....	17
Frame Assembly F608509.....	15
Front Bearing Kit F745014-01..... F745014-02.....	43 43
Front Cover Kit F758214-01P.....	13
Front Lock Pivot Weldment F634113.....	17
Front Top Cover Kit F758011-01.....	13
Fuse F350108..... F350109..... F350110.....	5 5 5

G

Gasket F170163.....	19
Grease Manifold Kit F761900.....	43
Grommet F170604.....	7
Ground Terminal Lug F140734.....	9

H

Hall Effect Sensor Switch F340503P.....	21
Hinge Pin F432306.....	17

N/A items do not appear in index.

Hinge Shim	
F631662	17
Hose	
F200105	31
F200131P	27, 29, 37
F200184P	33, 43
F608611	31
Hose Adapter	
F0420734-00	27, 29
Hose Barb	
F421930	37
Hose Clamp	
F200201	31
F200213	31
F200215	27, 29, 33
F200217	27, 29
F200220	31
36801	27, 29, 37
90554	31

I

Idler Bushing	
F280291	39
Inflation Needle	
F250704	17
Injection Nozzle	
F8322001	25, 27, 29
Injection Nozzle Kit	
F730168	25
Inlet Connection Pipe	
F608599	31
Input Power Block	
F140747	11
Input Power Block Insulator	
F0230111-00	11
Intermittent Duty Solenoid	
F300122P	21
Inverter Drive	
F370825	9
F370828	9

K

Key	
F160562	5, 9
Keymode Switch Assembly	
C003024P	5
Keypad Decal	
F230724P	5

L

Left Front Column Kit	
F758213-01P	13
Lid Lock	
F190802P	5, 9
Lift-Off Hinge	
F190212P	5, 7, 9
Light	
F350412	5

Liquid Supply Hose Support	
F609866	13
Lock Latch	
F606295	5, 9
Logo Decal	
F230806	13
Lower Hinge Base	
F0150283-00	17

M

Magnet	
F340703	17
Main Bearing Shim	
F0608462-00	43
Manifold	
F250311P	7
Middle Rear Panel Kit	
F757008-01	13
Momentary Pushbutton	
F8069602	21
Motor	
F220221	39
Motor Shim Plate	
F608486F	39
Mounting Plate Assembly	
F200323000	11
Muffin Fan	
F110101	41
F110106	9

N

Nipple	
F420156	27, 29
F421319	45
F421334	29
F421336	27, 29
Nut	
F200170400	39
F430202	35
F430215	13, 21, 27, 29, 31, 37
F430218	17, 31
F430231	5, 7
F430232	7, 9
F430236	43
F430237	39
F430239	39
F430245	35, 43
F430246	35
F430248	35
F431001	17, 27, 29
F431005	33
F431017	7, 41
F431018	33
F431024	7, 11, 17, 27, 29, 31, 33, 45
F431027	17
F431036	17
F431047	17
802292	25

N/A items do not appear in index.

O

O-Ring	
F170208.....	25
F170214.....	23
Out-of-Balance Switch Bracket	
F608597.....	35
Output CCA	
F0370444-10P.....	5
Overflow Hose	
F150377.....	27, 29
Overflow Plug	
F150352.....	31

P

Panel	
F608653.....	13
Pivot Lock Weldment	
F608536.....	17
Plug	
F140527.....	17
F140563.....	17
F421507.....	27, 29
PowerFlex AC Drive Retrofit Kit	
F079902600.....	11
F079902700.....	11
Program Key	
F370709.....	5
Pull Handle	
F190106.....	25
Pulley	
F280261P.....	39
F280263.....	23
F280292.....	39

Q

Quick Tubing Connector	
J1463835-00.....	37

R

RC Network Filter	
F330217P.....	21
Rear Bearing Kit	
F745013.....	43
Rear Seal Contact Plate	
F608687.....	23
Rear Top Cover	
F608652.....	13
Reducer Bushing	
F420204.....	27, 29
F421936.....	33
Regulator Filter	
F270302.....	9
Regulator Mounting Bracket	
F270410.....	7

Ribbon Cable	
F140218P.....	5
F140219P.....	5
F140248P.....	5
Right Front Column Kit	
F758212-01.....	13
Rod End Bearing	
F0100167-00.....	35
Rub Rail	
F150453.....	13

S

Screw	
F430115.....	41
F430158.....	43
F430163.....	35
F430179.....	7, 13
F430184.....	43
F430528.....	39
F430902.....	25
F430903.....	33
F430916.....	5, 7, 17
F430920.....	7, 9
F430921.....	21
F430925.....	9, 13, 45
F430928.....	5, 21
F430929.....	27, 29, 31
F430935.....	15, 35, 37
F430938.....	7, 11
F430939.....	23
F430949.....	39
F430976.....	7, 9
F430985.....	7, 13, 21
F430986.....	13, 37
F430995.....	21
F432285.....	17
201415.....	41
Seal Holder	
F602827.....	33
Shaft Sleeve	
F400376.....	23
Shell Band Gasket	
F200001600P.....	5
Shell Front Kit	
F741311-01.....	13, 17
Shell Kit	
F636271-01.....	15
Shell Rear Seal Support	
F320202.....	23
Shell Weldment Assembly	
F0635819-00.....	15
Shim	
F0608456-01.....	43
F0608456-02.....	43
Shock Absorber	
F250502.....	35
Shock Absorber Spacer	
F432304.....	35
Shock Kit	
F790204.....	35
Side Cabinet Panel	
F0631590-00.....	13

N/A items do not appear in index.

Side Panel Kit F757610-01	13
Spanner Wrench F460126	47
F460127	47
Sponge F170173	23
Spring F310107	21
Spring Assembly F608502P	35
Spring End F290304	35
Spring Pin F431222	17
Standoff F180506	5
Steam Heat Kit F836P3	45
Steam Hose F200196	45
Steam Hose Bracket F607661	45
Steam Injector Weldment F608678	45
Steam Inlet Flange Weldment F608672	45
Strain Relief Adapter Kit F749802	25
Strain Relief Connector F140328	9
F140331	5, 7, 9, 37
Strainer F270201	45
Street Elbow F420512	27, 29
F421102	45
F421703	37
Stud F390301	31
Supply Box Weldment F608551	25
Supply Dispenser Kit F749001	25
Supply Hose F200171	31
F200172	31
Support Rod Plate F608504F	35
Switch F340901	35
Switch Extension F340913	35
Switch Magnet F340502P	17, 21
Swivel Tubing Elbow J1407741	27, 29, 33, 43

T

Tee F420418	27, 29
----------------------	--------

Temperature Probe F370606P	33
Terminal F140766	21
Terminal Block M413865	9
Tie Wrap Mounting Clamp F140602	41
Transformer F360125P	7
Trim F170404	21
Tubing F200168P	27, 29

U

U-Bolt Clamp F200412	45
Upper Front Panel Kit F758215-01P	13
Upper Hinge Base F0150284-00	17

V

Vacuum Breaker F380117	29
Vacuum Breaker Weldment F633183	27, 29
Valve F380506	27, 29
F380507	45
Valve Support Bracket F608575	27, 29
F608576	29
Valve, 2-Way F380952P	27
Valve, 3-Way F381725P	29
Vent Pipe Weldment F608628	31
V-Ring Seal F100270	23
F100275	23

W

Washer F0430351-00	43
F430339	39
F430345	39
F430705	35
F430706	43
F431100	15, 23, 31, 33, 35, 37
F431105	33
F431106	21, 33
F431113	5
F431131	27, 29
F431137	17
F431142	17

N/A items do not appear in index.

F431143.....	17
F431147.....	11
F431907.....	17
F431908.....	35
F431921.....	35
F431933.....	17
F431934.....	17
F602833.....	33
F8171201.....	35
Water Connection Inlet Manifold	
F150246.....	27, 29
Water Hose	
F200103.....	31
F200108P.....	27, 29
F200199P.....	37
Water Inlet Weldment	
F608573.....	27, 29
F608574.....	29
Water Level Switch	
F340308P.....	5
F340309P.....	5
Water Supply Weldment	
F608594.....	31
WE-6 Computer	
F370534-20P.....	5
WE-6 Interface CCA Kit	
F370446-1P.....	5

Y

Y Connector	
F422808.....	27
