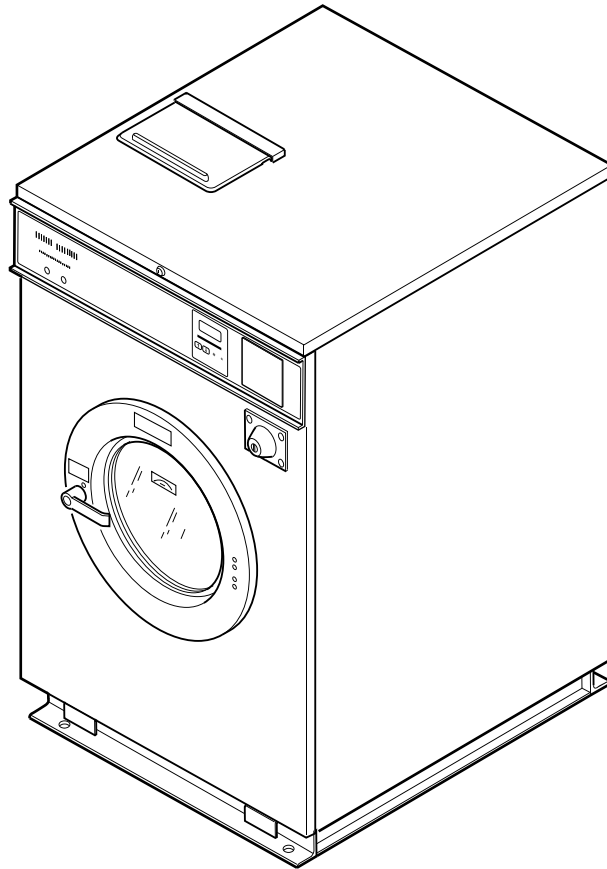


Washer-Extractor

Cabinet Hardmount
Variable Speed

Refer to Page 5 for Model Numbers



CHM1758C_F232153

Table of Contents

Title	Page
Parts Ordering Information.....	3
Nameplate Location	3
Model Identification	5
Product Overview for A and B-Control.....	6
Product Overview for NetMaster, Mechanical Timer and P, S and V-Computer	8
Decals	10
Control Module - VC and VX Models (Drawing 1 of 2).....	12
Control Module - VC and VX Models (Drawing 2 of 2).....	14
AC Drive - VC and VX Models	16
Control Module - VN Models (Drawing 1 of 2)	18
Control Module - VN Models (Drawing 2 of 2)	20
AC Drive - VN Models.....	22
Control Panel - VC, VN and VX Models.....	24
Control Module - EC, EP, EX, NC, NP, NR and NX Models	26
AC Drive - EC, EP and EX Models	28
Control Module - EC, EP, EX, NC, NR and NX Models.....	30
W2000 Coin Meter Assembly - EC, EP, EX, VC and VX Models; Single Drop.....	32
W2000 Coin Meter Assembly - EC, EP, EX, VC and VX Models; Dual Drop	34
Flush Mount Coin Meter Assembly - NC and NX Models (Drawing 1 of 2).....	36
Flush Mount Coin Meter Assembly - NC and NX Models (Drawing 2 of 2).....	38
Electronic Coin Meter Assembly - NC and NX Models	40
Card Reader - EP, NP and NR Models (Drawing 1 of 2)	42
Card Reader - EP, NP and NR Models (Drawing 2 of 2)	44
Drive Fan and Filter	46
Inner and Outer Front Panels - Models Through 8/1/99	48
Inner and Outer Front Panels - Coin and Card Models Starting 8/2/99	50
Inner and Outer Front Panels - OPL Models Starting 8/2/99	52
Cover Panels and Frame	54
Door	56
Door Lock - OPL Models Through 4/21/02	58
Door Lock - OPL Models Starting 4/22/02	60
Door Lock - Coin and Card Models.....	62
Supply Dispenser - Old Style	64
Supply Dispenser - New Style	66
Basket and Shell	68
Vacuum Breaker and Hoses with Old Style Vacuum Breaker	70
Vacuum Breaker and Hoses with New Style Vacuum Breaker.....	72
Water Inlet Valves.....	74
Drain	76
Motor, Pulley, Belts and Bearings.....	78
Electric Heat Option	80

© Copyright 2010, Alliance Laundry Systems LLC

All rights reserved. No part of the contents of this book may be reproduced or transmitted in any form or by any means without the expressed written consent of the publisher.

Steam Heat Option - VC, VN and VX Models	82
Special Tools	84
Parts Index.....	87

Parts Ordering Information

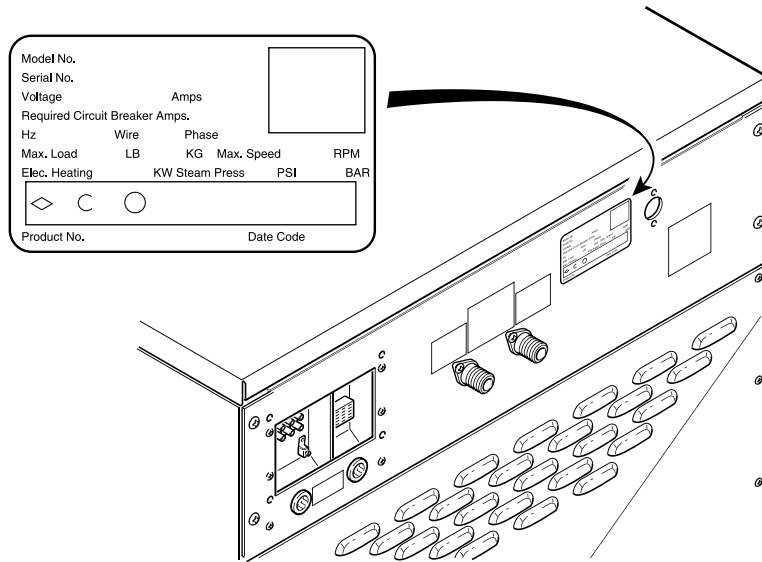
If literature or replacement parts are required, contact the source from whom the machine was purchased or contact Alliance Laundry Systems at (920) 748-3950 for the name and address of the nearest authorized parts distributor.

For technical assistance, call either of the numbers listed below:

(920) 748-3121 Ripon, Wisconsin
+32 56 41 20 54 Wevelgem, Belgium

Nameplate Location

When calling or writing about your product, be sure to mention model and serial numbers. Model and serial numbers are located on nameplate(s) as shown.



CHM2454P_F232153

Model Identification

Information in this manual is applicable to these washer-extractor models:

HC80NCV	NC80NPV	SC80NCV	SC80VNV
HC80VCV	SC80ECV	SC80NPV	UC80VNV
HC80VNV	SC80EPV	SC80NRV	
HC80VXV	SC80EXV	SC80NXV	

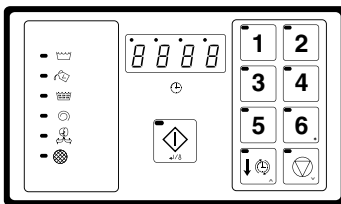
NOTE: This manual applies to models of design 1-4 only.

Product Overview for A and B-Control

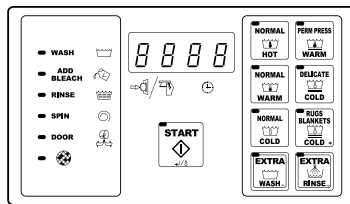
1 2 3 4 5 6 7 8

Model No. *C40AC20U60001
 Serial No. 00000000000
 Voltage 208 – 240 Amps 7
 Required Circuit Breaker Amps 15
 Hz 60 Wire 3 Phase 3
 Max. Load 40 LB 18.2 KG Max. Speed 470 RPM
 Elec. Heating N/A KW Steam Press. N/A PSI 0 BAR
 Drawing:

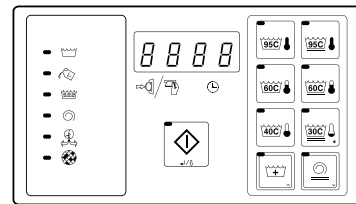
ETL LISTED
 CONFORMS TO
 ANSUL STD. 1555
 ANSUL STD. 1206
 ETL TESTING LABORATORIES, INC.
 CORTLAND, NEW YORK 13045



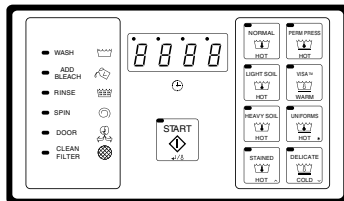
A-Control OPL



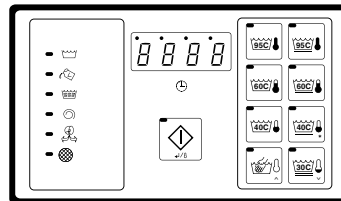
A-Control Coin (Domestic)



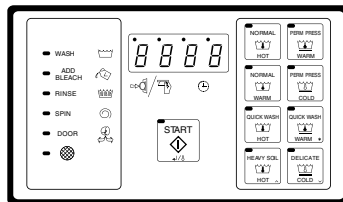
A-Control Coin (International)



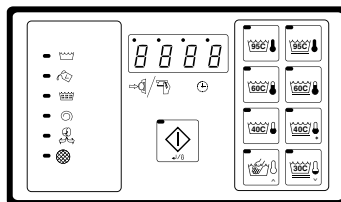
B-Control OPL (Domestic)



B-Control OPL (International)



B-Control Coin (Domestic)



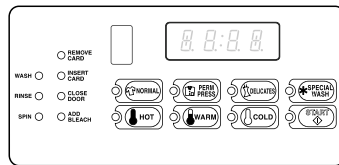
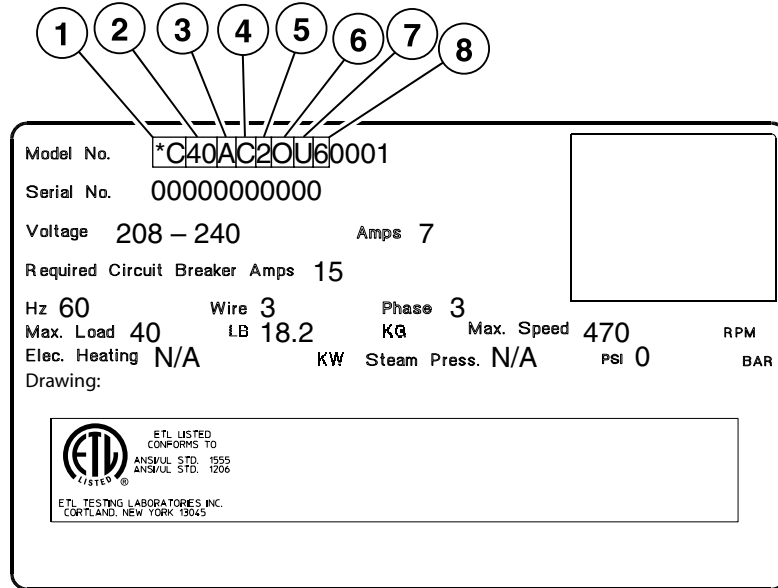
B-Control Coin (International)

CHM2976P_F232153

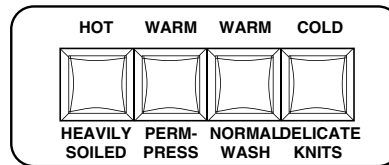
Product Overview for A and B-Control

REF	PART NO.	DESCRIPTION	COMMENTS
1	-	Product Family	DC HC NC SC UC
2	-	Capacity (Pounds)	18 20 25 27 30 35 40 50 60 80 100 125
3	-	Control	A (A-Control) B (B-Control)
4	-	Actuation	C (Drop Coin Meter) D (Digital Coin Meter) L (Prep for Remote/Central Pay) N (Non-Coin - OPL) R (Cardmate Plus II) X (Prep for Coin Meter) Y (Prep for Card Reader)
5	-	Speed	2 (2-Speed) 3 (3-Speed) F (F-Speed) V (Variable Speed)
6	-	Voltage	B (120/60/1/2) C (380-415/50/3/4) D (220-240/50/3/3) E (220-240/50/1/2) F (440-480/60/3/3) J (220/50/3/3) N (440-480/50-60/3/3) O (200-240/60/3/3) P (380-415/50-60/3/3) Q (200-240/50-60/3/3) X (200-240/50-60/1/3) Y (208-240/60/1/2)
7	-	Side Panel	N (Network Board Installed) P (Network Adaptable) U (Standard Specs) 1 (Stainless Steel) 2 (Network Board Installed with Stainless Sides) 3 (Network Adaptable with Stainless Sides)
8	-	Design	1-4 and 6

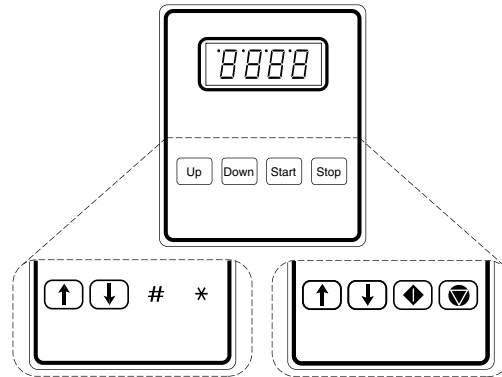
Product Overview for NetMaster, Mechanical Timer and P, S and V-Computer



NetMaster



Mechanical Timer



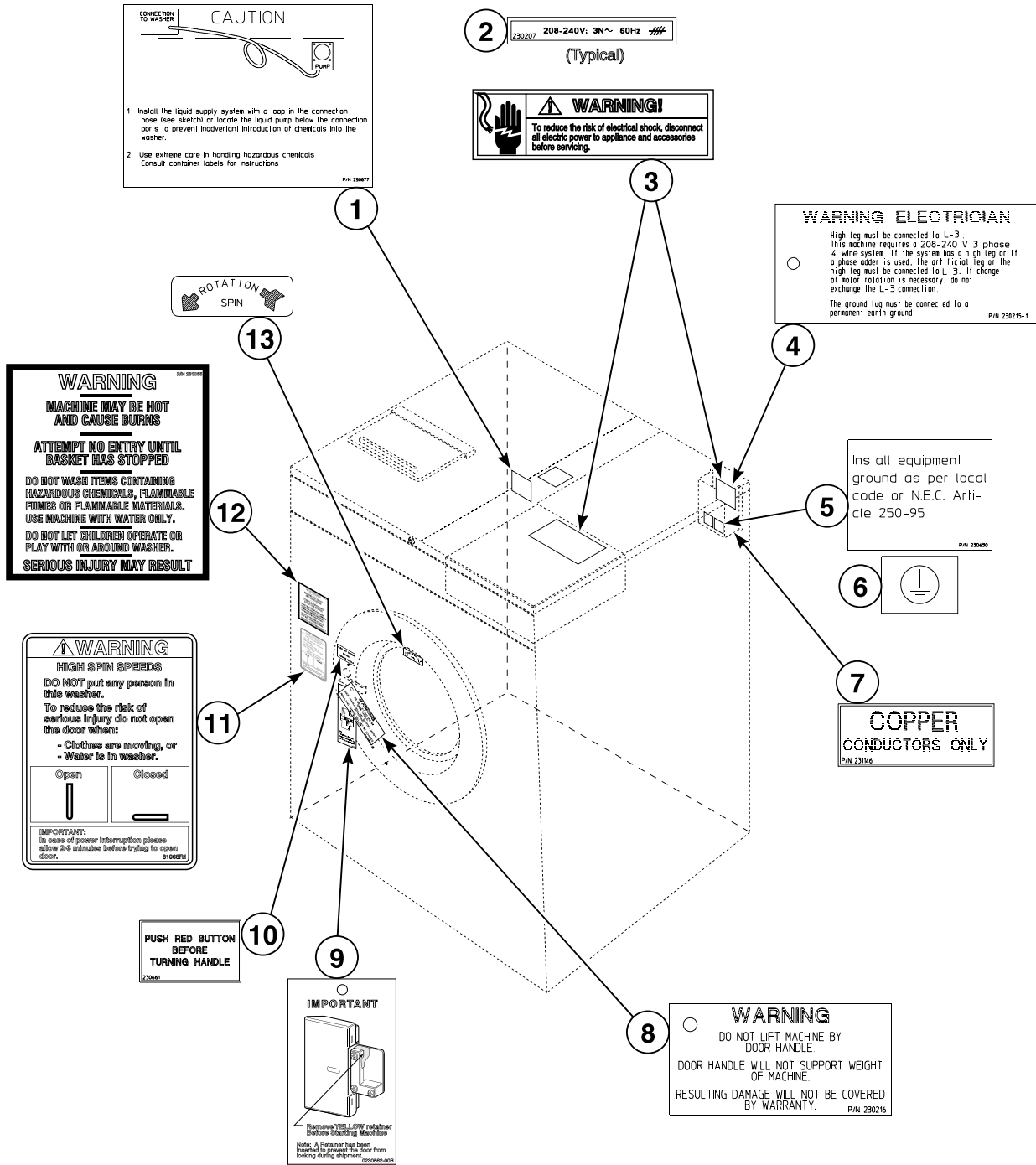
P, S and V-Computer

CHM2977P_F232153

Product Overview for NetMaster, Mechanical Timer and P, S and V-Computer

REF	PART NO.	DESCRIPTION	COMMENTS
1	-	Product Family	DC HC NC SC UC
2	-	Capacity (Pounds)	18 20 25 27 30 35 40 50 60 80 100 125
3	-	Control	M (Mechanical Timer) N (NetMaster) P (P-Computer) S (S-Computer) V (V-Computer)
4	-	Actuation	C (Drop Coin Meter) D (Digital Coin Meter) L (Prep for Remote/Central Pay) N (Non-Coin - OPL) R (Cardmate Plus II) X (Prep for Coin Meter) Y (Prep for Card Reader)
5	-	Speed	2 (2-Speed) 3 (3-Speed) F (F-Speed) V (Variable Speed)
6	-	Voltage	B (120/60/1/2) C (380-415/50/3/4) D (220-240/50/3/3) E (220-240/50/1/2) F (440-480/60/3/3) J (220/50/3/3) N (440-480/50-60/3/3) O (200-240/60/3/3) P (380-415/50-60/3/3) Q (200-240/50-60/3/3) X (200-240/50-60/1/3) Y (208-240/60/1/2)
7	-	Side Panel	N (Network Board Installed) P (Network Adaptable) U (Standard Specs) 1 (Stainless Steel) 2 (Network Board Installed with Stainless Sides) 3 (Network Adaptable with Stainless Sides)
8	-	Design	1-4 and 6

Decals



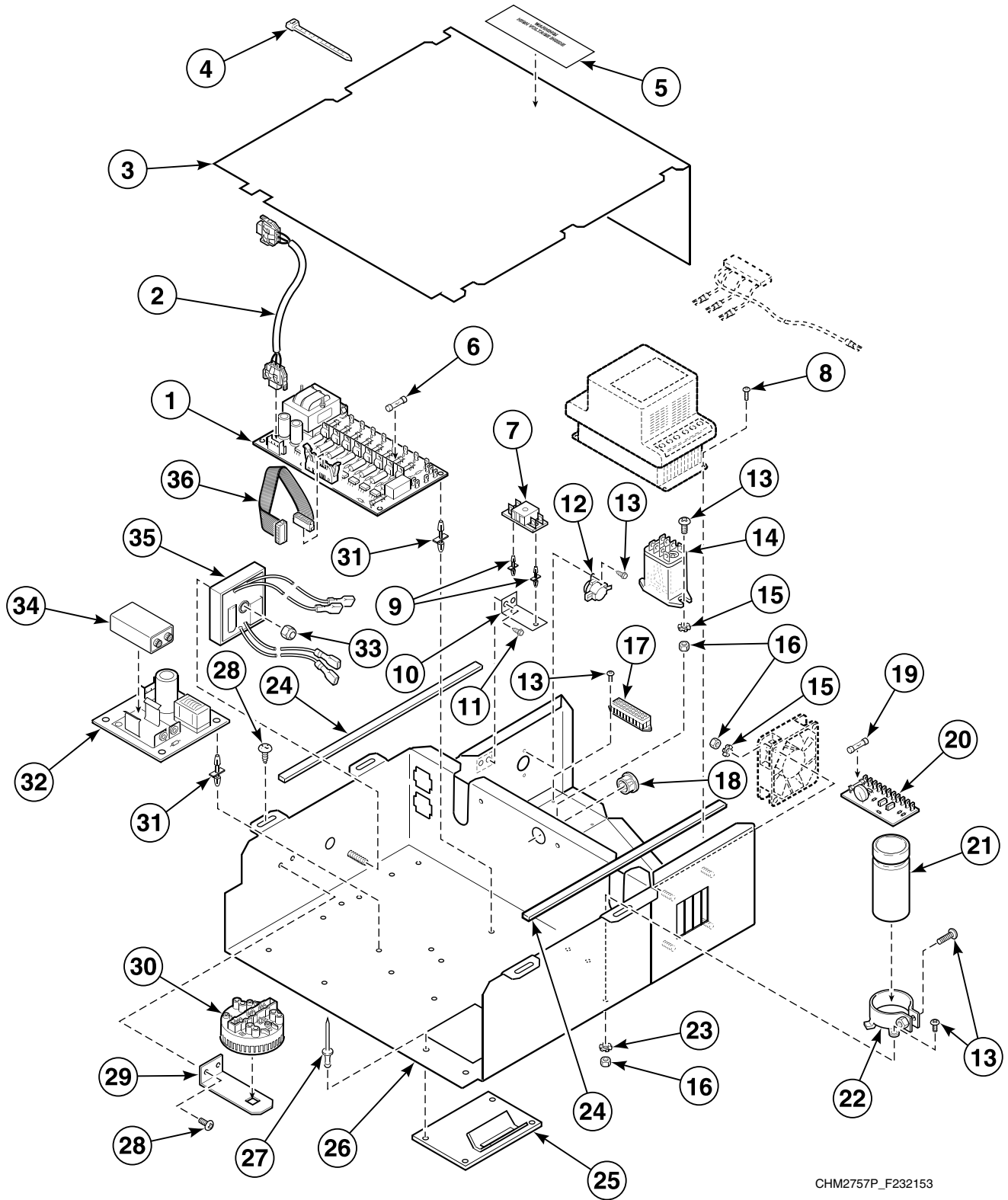
CHM2540P_F232153

Decals

REF	PART NO.	DESCRIPTION	COMMENTS
1	F230877	Liquid Supply Decal	OPL models
2	N/A	Decal	Q-voltage
	N/A	Decal	N-voltage
	N/A	Decal	P-voltage
3	505281	Disconnect Power Warning Label	
4	N/A	Voltage Warning Decal	
5	F230630	Ground Decal	
6	F230739	Ground Decal	
7	F231146	Conductor Decal	
8	F230216	Do Not Lift Decal	
9	F230528	Remove Door Lock Tag	OPL models
10	F230661	Push Red Button Decal	
11	81968	Door Warning Label	
12	F231065	Personal Injury Warning Decal	
13	F230693	Counterclockwise Spin Rotation Decal	

N/A = Part no longer available

Control Module - VC and VX Models (Drawing 1 of 2)



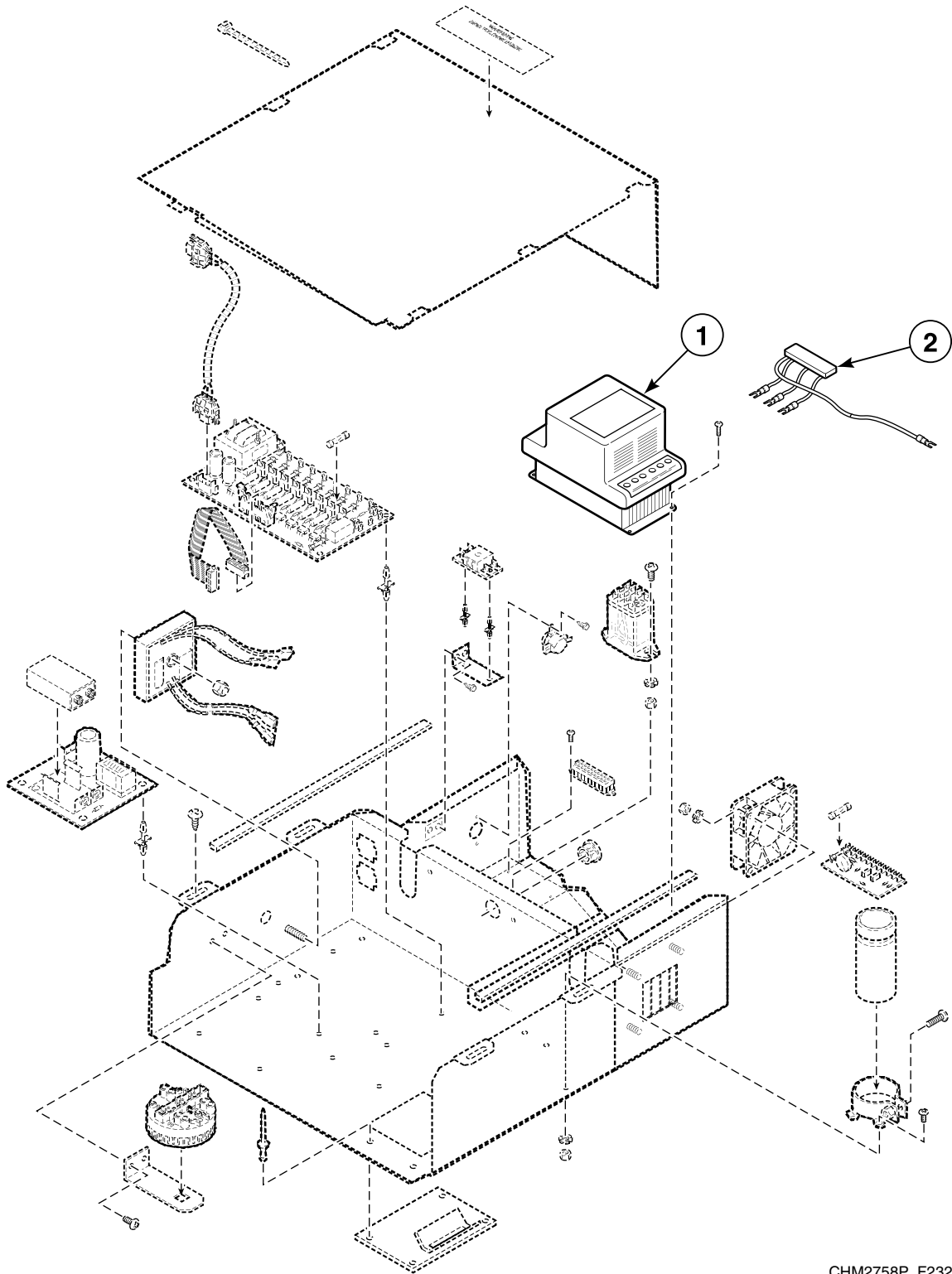
CHM2757P_F232153

Control Module - VC and VX Models (Drawing 1 of 2)

REF	PART NO.	DESCRIPTION	COMMENTS
1	F8206501P	Output Board VCMP Assembly	
2	F140249	Battery Backup Wire Harness	Connects the output board cca to the battery adapter board; Models through 5/14/00
3	F634175	Control Module Cover	
4	F140605	Cable Tie	
5	505281	Disconnect Power Warning Label	Warning: High Voltage
6	F350109	Fuse	1/2 Amp; Fast
	F350110	Fuse	1 Amp; Slo
	F350108	Fuse	1/8 Amp; Slo
7	F0350312-10	Fuse Holder	Uses F350110 Fuse (1 Amp) and F350117 Fuse (2 Amp)
8	F430916	Screw	
9	F180506	Standoff	
10	F633322	Fuse Terminal Mounting Bracket	
11	F430982	Screw	
12	F290115	Thermostat	
13	F430928	Screw	
14	F330227	Flange Relay	120 Volt
15	F431113	Washer	
16	F431022	Nut	
17	F140768	Terminal	
18	F140909	Insulator Bushing	
19	F350110	Fuse	1 Amp
20	F0632387-01P	Door Lock CCA	
21	F370225P	Capacitor	
22	F140612P	Capacitor Mounting Clamp	
23	F430910	Screw	
24	F170128	Sponge Rubber	Order 2 feet
25	F632084	Coin Guide Assembly	Single drop
	F200002503	Coin Guide Assembly	Dual drop
26	N/A	Control Box Assembly	Models through 10/31/99
	F633380-1	Control Box Assembly	Models starting 11/1/99 through 4/22/01
	F0635628-01	Control Box Assembly	Models starting 4/23/01
	N/A	Control Box Assembly	CE models starting 10/31/99
27	F431210	Pop Rivet	
28	F430174	Screw	
29	F631920	Water Level Switch Bracket	
30	F0340351-10P	Water Level Switch	
31	F180501	Standoff	
32	F370529P	Battery Adapter Board	Models through 5/14/00
33	F430231	Nut	
34	F191101	Battery	Models through 5/14/00
35	F200025200P	Door Lock Time Delay	
36	F140247	Ribbon Cable	Connects the output board to the microprocessor

N/A = Part no longer available

Control Module - VC and VX Models (Drawing 2 of 2)



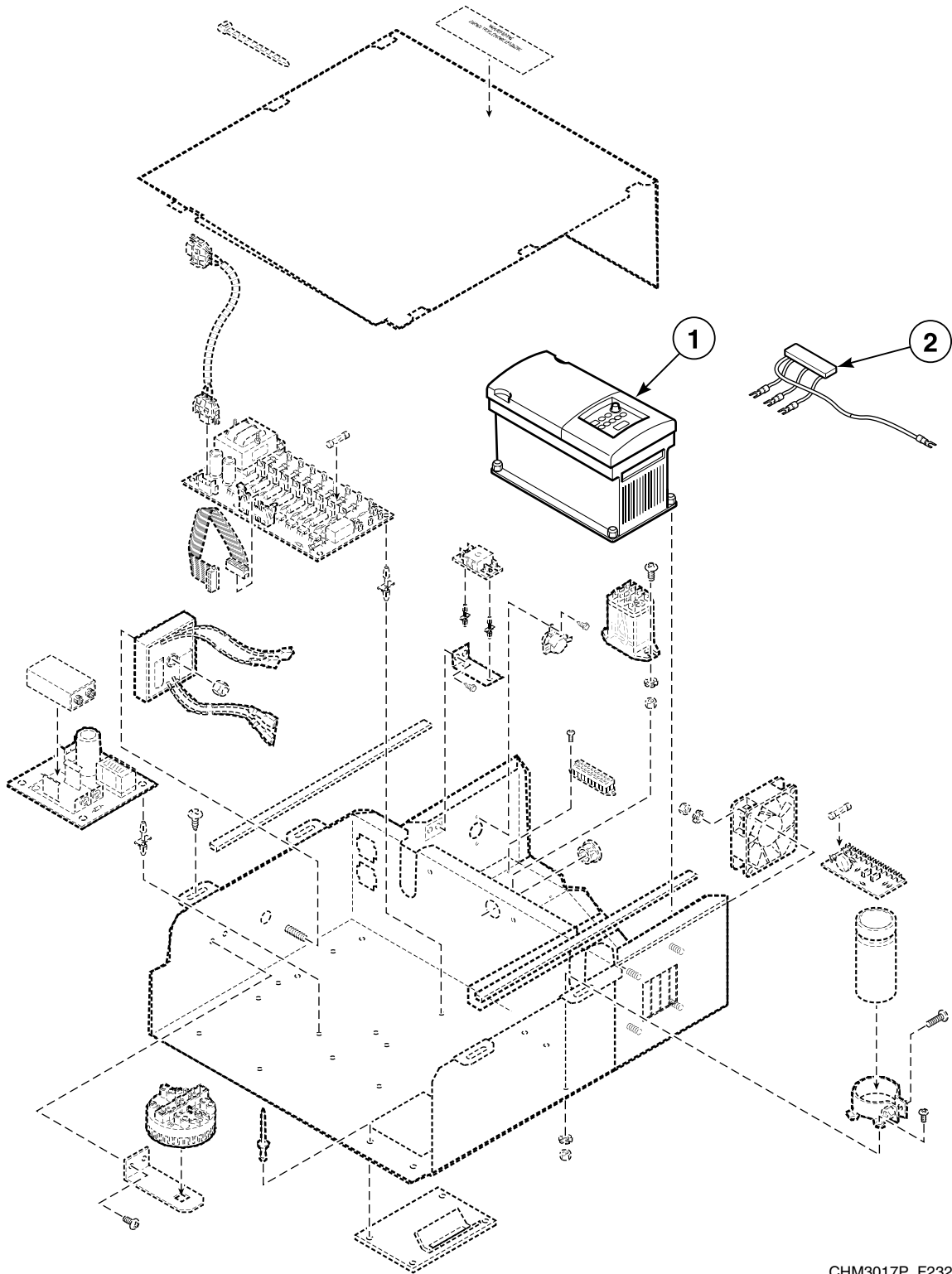
CHM2758P_F232153

Control Module - VC and VX Models (Drawing 2 of 2)

REF	PART NO.	DESCRIPTION	COMMENTS
1	N/A	Inverter Drive	1305 series; 200 Volt; Models through 10/31/99; Models with F220214M Motor order F8255002 1305-Series to PowerFlex 40 Drive Kit; Models with F220236 Motor order F855007 1305-Series to PowerFlex 40 Drive Kit
	F370843	Inverter Drive	160 series; 200 Volt; Models starting 11/1/99 through 7/1/04
	N/A	1305 to 160-Series AC Drive Retrofit Kit	200-240 Volt; Used with F220214U Motor
	N/A	1305 to 160-Series AC Drive Retrofit Kit	200-240 Volt; Used with F220214M Motor; Order F8255002 1305-Series to PowerFlex 40 Drive Kit
	N/A	1305 to 160-Series AC Drive Retrofit Kit	200-240 Volt; Used with F220236 Motor; Order F855007 1305-Series to PowerFlex 40 Drive Kit
	N/A	1305 to 160-Series AC Drive Retrofit Kit	380-480 Volt; Used with F220214U Motor
	N/A	1305 to 160-Series AC Drive Retrofit Kit	380-480 Volt; Used with F220214M Motor
	N/A	1305 to 160-Series AC Drive Retrofit Kit	380-480 Volt; Used with F220236 Motor
2	F200320900	AC Drive Radio Filter Assembly	

N/A = Part no longer available

AC Drive - VC and VX Models



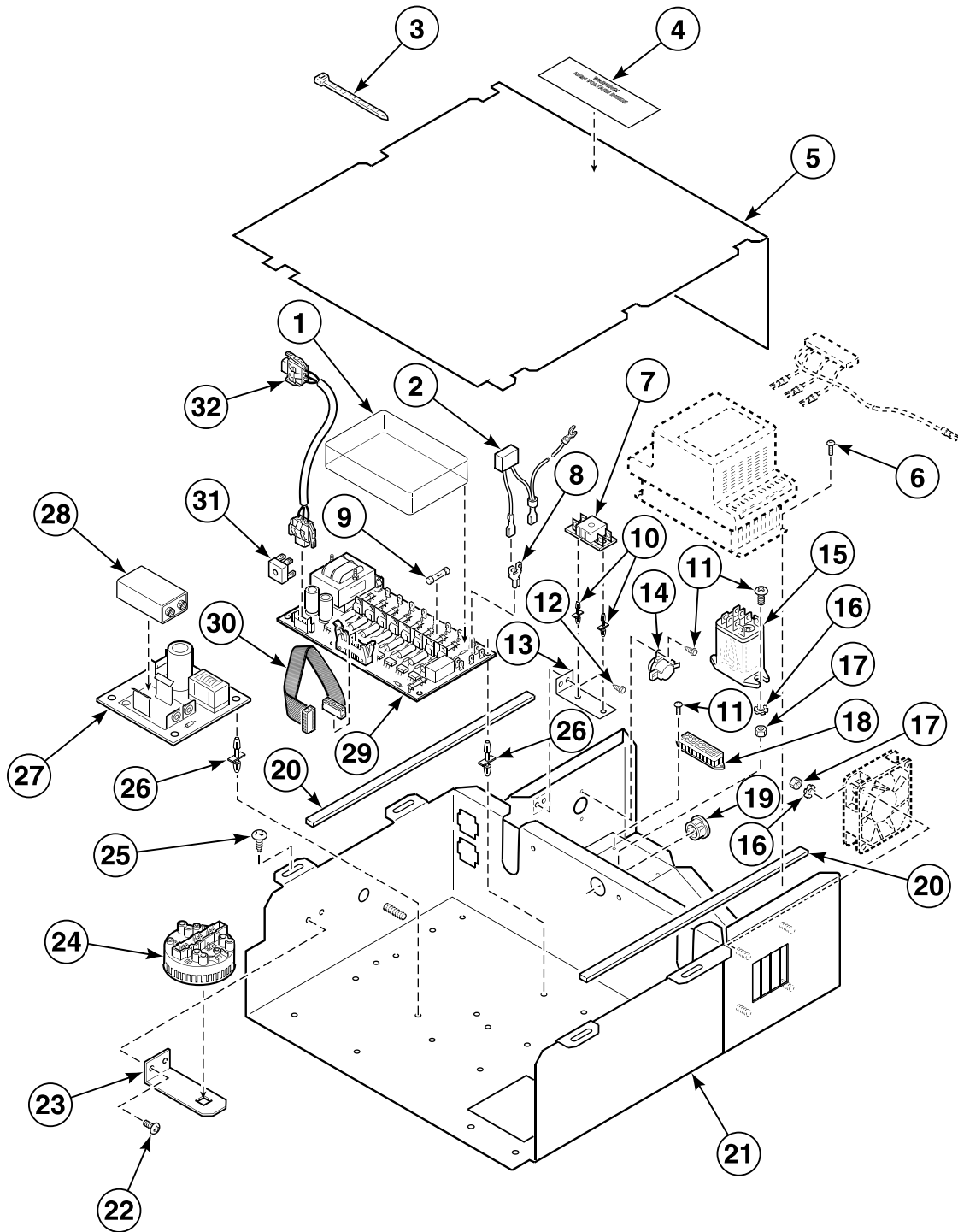
CHM3017P_F232153

AC Drive - VC and VX Models

REF	PART NO.	DESCRIPTION	COMMENTS
1	F8255007	1305-Series to PowerFlex 40 Drive Kit	HC80VC models with 1305-series drive and F220236 Motor; Includes AC Drive F8103612; 200-240 Volt
	F8255002	1305-Series to PowerFlex 40 Drive Kit	HC80VC models with 1305-series drive and F220214M Motor; Includes AC Drive F8169415; 200-240 Volt
2	F200320900	AC Drive Radio Filter Assembly	

NOTE: Refer to the *Motor Manufacturer Part Number Location on the Motor's Nameplate* section for motor manufacturer part number location information.

Control Module - VN Models (Drawing 1 of 2)



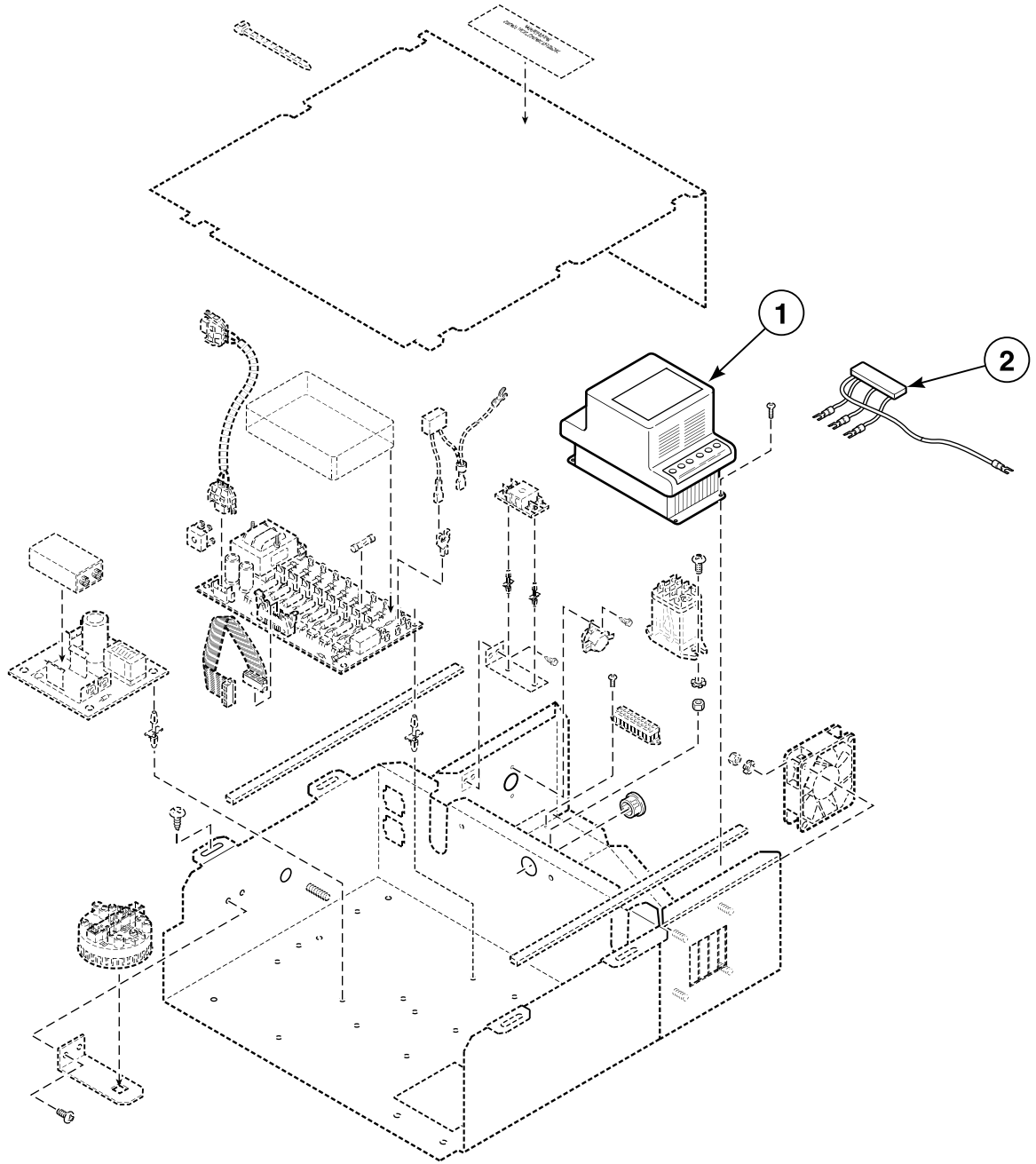
CHM2759P_F232153

Control Module - VN Models (Drawing 1 of 2)

REF	PART NO.	DESCRIPTION	COMMENTS
1	F140423	Cover	
2	F330217P	RC Network Filter	Includes F140627 Connector and F141022 Connector
3	F140605	Cable Tie	
4	505281	Disconnect Power Warning Label	
5	N/A	Cover	
6	F430916	Screw	
7	F0350312-10	Fuse Holder	
8	F140562	Connector	
9	F350109	Fuse	1/2 Amp; Fast
	F350110	Fuse	1 Amp; Slo
	F350133	Fuse	1 1/2 Amp; Fast
10	F180506	Standoff	
11	F430928	Screw	
12	N/A	Screw	
13	F633322	Fuse Terminal Mounting Bracket	
14	F290115	Thermostat	
15	F330227	Flange Relay	120 Volt
16	F431113	Washer	
17	F431022	Nut	
18	F140768	Terminal	
19	F140909	Insulator Bushing	
20	F170128	Sponge Rubber	Order 3 feet
21	N/A	Control Box Assembly	Models through 10/31/99
	F633380-3	Control Box Assembly	Models starting 11/1/99
	F633380-4	Control Box Assembly	CE models
22	N/A	Screw	
23	F631920	Water Level Switch Bracket	
24	F0340351-10P	Water Level Switch	
25	F430174	Screw	
26	F180501	Standoff	
27	F370529P	Battery Adapter Board	Models through 5/14/00
28	F191101	Battery	Models through 5/14/00
29	F8206501P	Output Board VCMP Assembly	Does not require items 28, 29 and 33
30	F140216P	Ribbon Cable	Connects the output board to the microprocessor
31	F370310	Bridge Rectifier	
32	F140249	Battery Backup Wire Harness	Connects the output board cca to the battery adapter board; Models through 5/14/00

N/A = Part no longer available

Control Module - VN Models (Drawing 2 of 2)



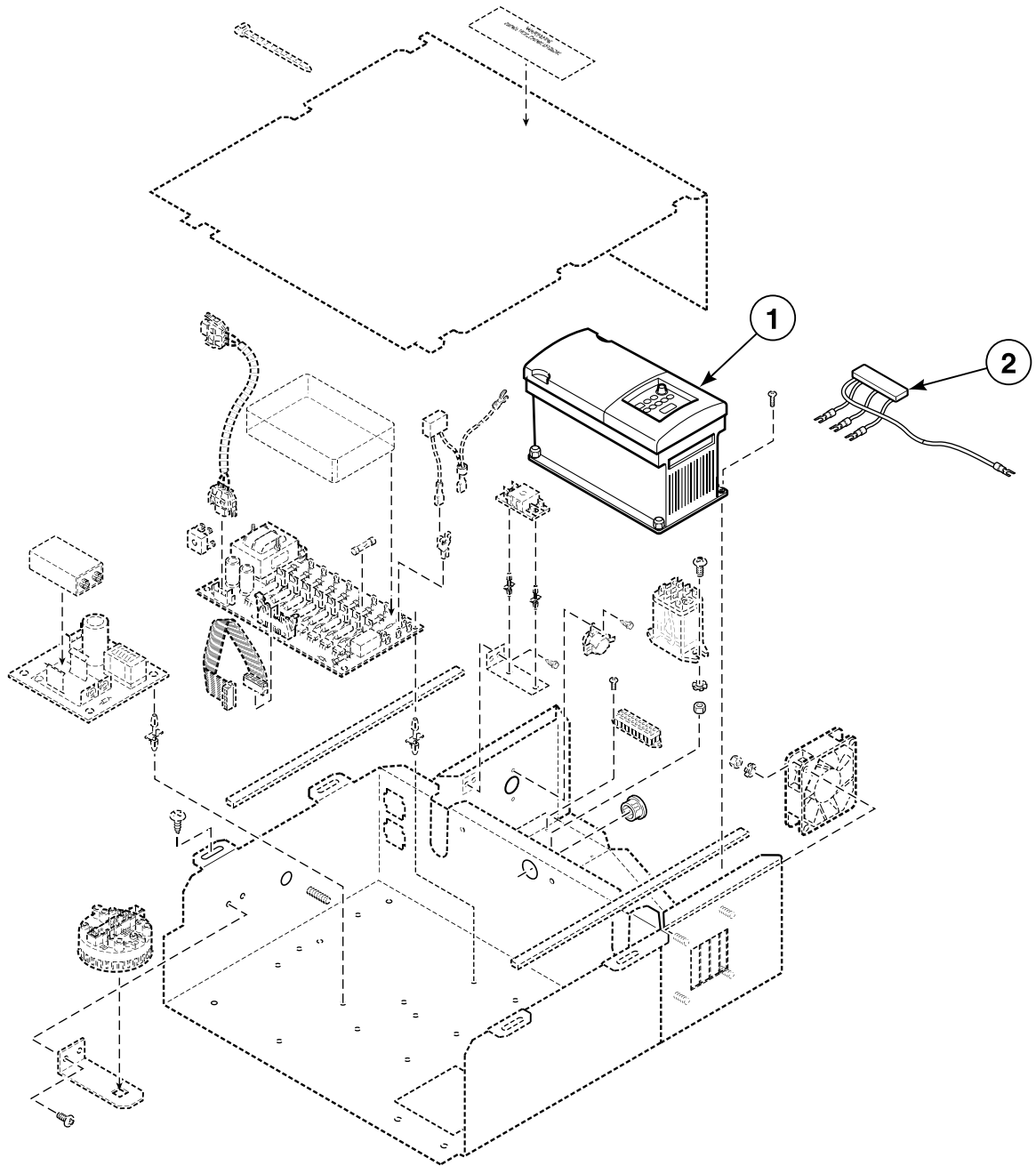
CHM2760P_F232153

Control Module - VN Models (Drawing 2 of 2)

REF	PART NO.	DESCRIPTION	COMMENTS
1	F370843	Inverter Drive	160 series; 200 Volt; Models starting 11/1/99 through 7/1/04
	F370844	Inverter Drive	160 series; 400 Volt; Models starting 11/1/99 through 7/1/04
	N/A	Inverter Drive	1305 series; 200 Volt; Models through 10/31/99; Models with F220236 Motor order F8255008 1305-Series to PowerFlex 40 Drive Kit; Models with F220214M Motor order F8255004 1305-Series to PowerFlex 40 Drive Kit
	F370818	Inverter Drive	1305 series; 400 Volt; Models through 10/31/99
	N/A	1305 to 160-Series AC Drive Retrofit Kit	200-240 Volt; Used with F220214U Motor
	N/A	1305 to 160-Series AC Drive Retrofit Kit	200-240 Volt; Used with F220214M Motor; Order F8255004 1305-Series to PowerFlex 40 Drive Kit
	N/A	1305 to 160-Series AC Drive Retrofit Kit	200-240 Volt; Used with F220236 Motor; Order F8255008 1305-Series to PowerFlex 40 Drive Kit
	N/A	1305 to 160-Series AC Drive Retrofit Kit	380-480 Volt; Used with F220214U Motor
	N/A	1305 to 160-Series AC Drive Retrofit Kit	380-480 Volt; Used with F220214M Motor; Order F8255102 1305-Series to PowerFlex 40 Drive Kit
	N/A	1305 to 160-Series AC Drive Retrofit Kit	380-480 Volt; Used with F220236 Motor; Order F8255103 1305-Series to PowerFlex 40 Drive Kit
2	F200320900	AC Drive Radio Filter Assembly	

N/A = Part no longer available

AC Drive - VN Models



CHM3018P_F232153

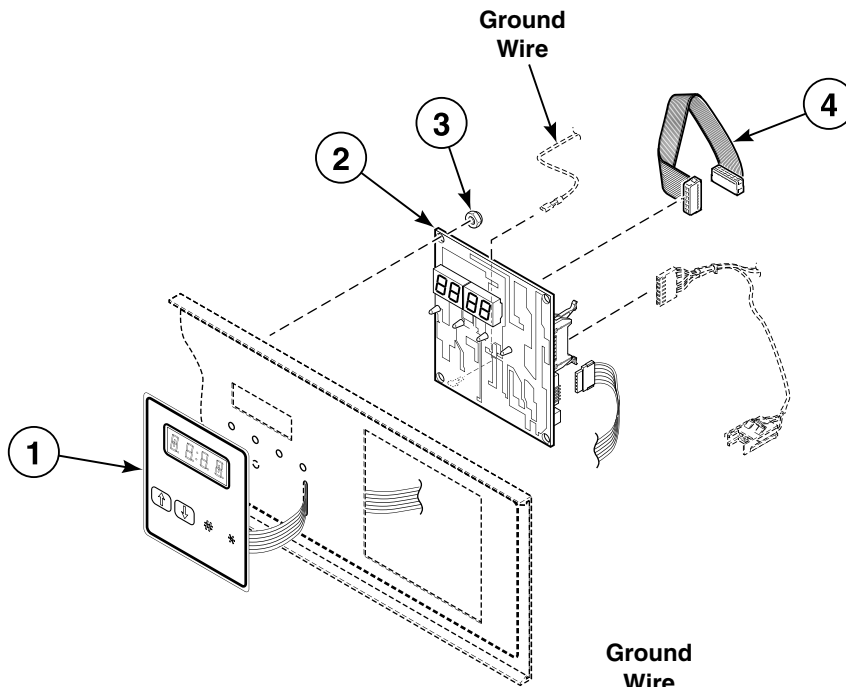
AC Drive - VN Models

REF	PART NO.	DESCRIPTION	COMMENTS
1	F8255008	1305-Series to PowerFlex 40 Drive Kit	HC80VN, SC80VN and UC80VN models with 1305-series drive and F220236 Motor; Includes AC Drive F8103613; 220-240 Volt
	F8255004	1305-Series to PowerFlex 40 Drive Kit	HC80VN, SC80VN and UC80VN models with 1305-series drive and F220214M Motor; Includes AC Drive F8169413; 200-240 Volt
	F8255103	1305-Series to PowerFlex 40 Drive Kit	HC80VN, SC80VN and UC80VN models with 1305-series drive and F220236 Motor; Includes AC Drive F810709; 380-480 Volt
	F8255102	1305-Series to PowerFlex 40 Drive Kit	HC80VN, SC80VN and UC80VN models with 1305-series drive and F220214U Motor; Includes AC Drive F8169414; 380-480 Volt
2	F200320900	AC Drive Radio Filter Assembly	

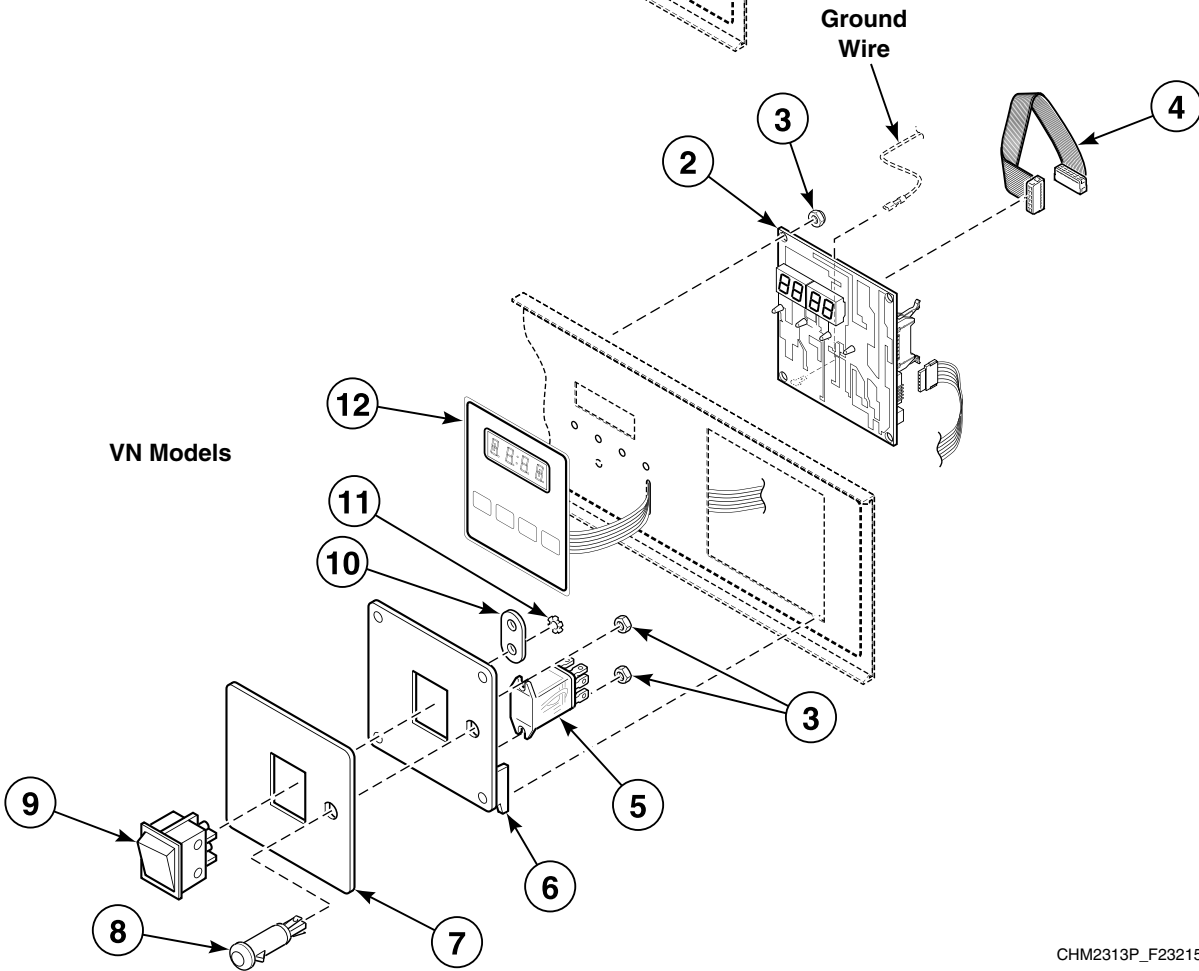
NOTE: Refer to the *Motor Manufacturer Part Number Location on the Motor's Nameplate* section for motor manufacturer part number location information.

Control Panel - VC, VN and VX Models

VC and VX Models



VN Models

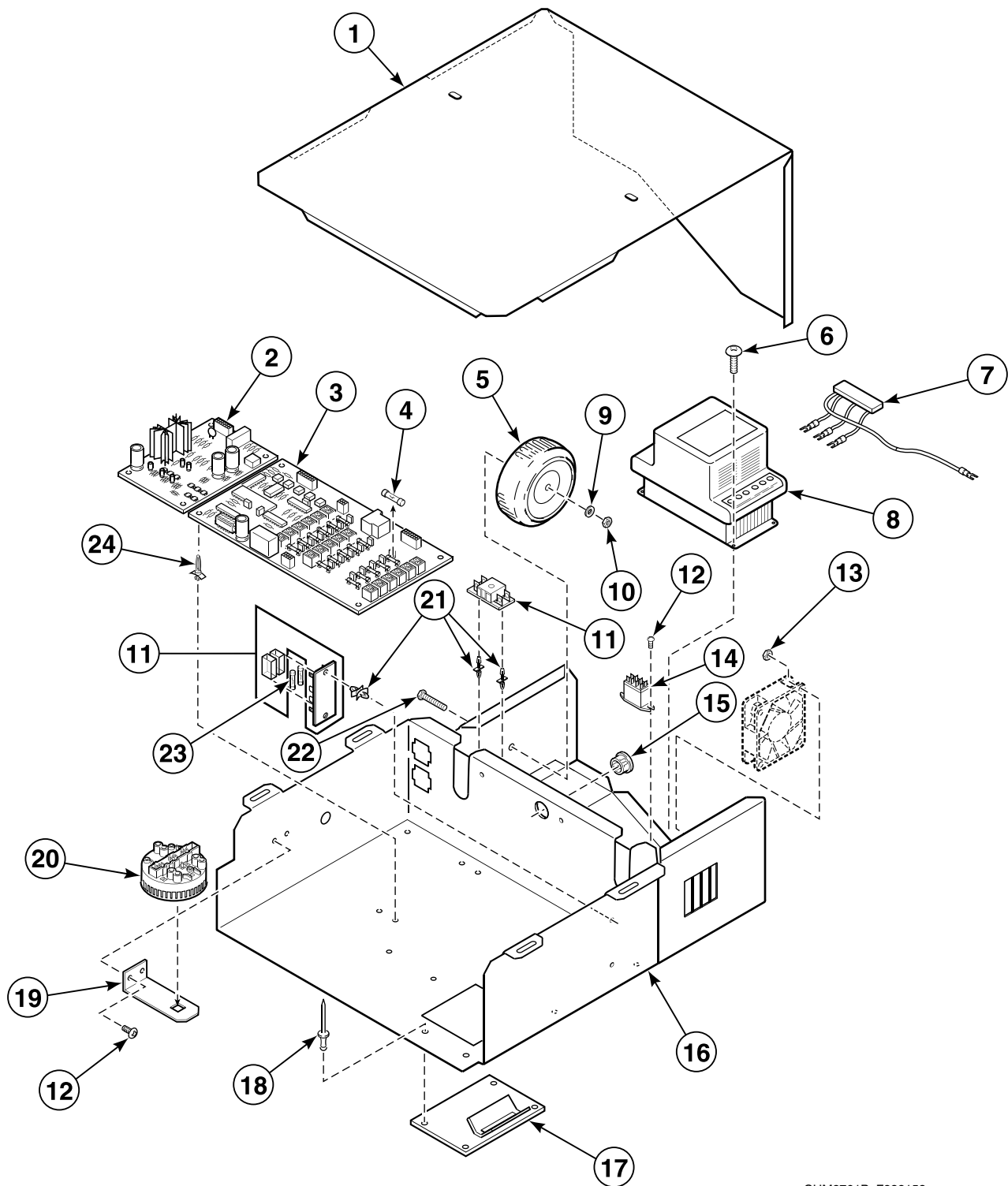


CHM2313P_F232153

Control Panel - VC, VN and VX Models

REF	PART NO.	DESCRIPTION	COMMENTS
1	F340615P	Membrane Switch	Models HC80VCV, HC80VNV and HC80VXV
	F340605P	Membrane Switch	Models SC80VNV and UC80VNV
	F340616P	Membrane Switch	Clean Rite
2	F370313-13P	Microcomputer	Models HC80VNV, SC80VNV and UC80VNV; Models through 7/4/99
	F370313-60P	Microcomputer	Models HC80VNV, SC80VNV and UC80VNV; Models starting 7/5/99
	F370313-50P	Microcomputer	Models HC80VCV and HC80VXV
3	F430231	Nut	
4	F140219P	Ribbon Cable	Connects the microcomputer to the output board cca
5	F330227	Flange Relay	
6	F633540	Switch Mounting Plate Sub-Assembly	
7	F231449	Switch Panel Decal	Models HC80VCV, HC80VNV and HC80VXV
	F231381	Switch Panel Decal	Models SC80VNV and UC80VNV
8	F350411	Light	Clean filter
9	F340411	Rocker Switch	
10	F601515	Clip	
11	F430232	Nut	
12	F340614P	Membrane Switch	Models HC80VCV, HC80VNV and HC80VXV
	F340608P	Membrane Switch	Model SC80VNV
	F370576P	Keypad	Model UC80VNV

Control Module - EC, EP, EX, NC, NP, NR and NX Models



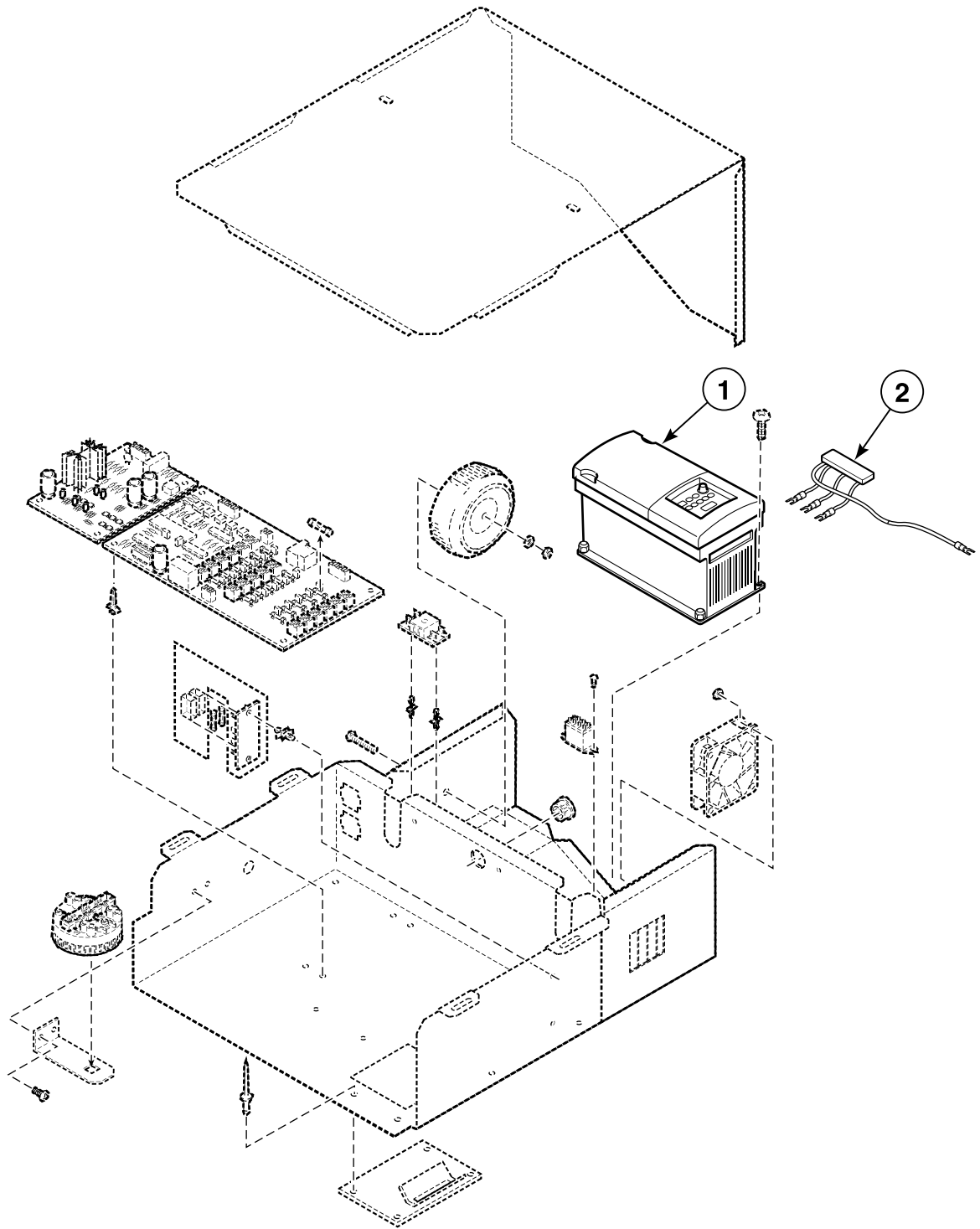
CHM2761P_F232153

Control Module - EC, EP, EX, NC, NP, NR and NX Models

REF	PART NO.	DESCRIPTION	COMMENTS
1	N/A	Cover	
2	F370432P	Door Lock Control CCA	
3	F370433P	Output Relay CCA	
4	F350142	Fuse	
5	F0360170-00P	Transformer	24 Volt
6	F430916	Screw	
7	F200320900	AC Drive Radio Filter Assembly	
8	N/A	Inverter Drive	1305 series; Models through 10/31/99; Models with F220236 Motor order F8255009 1305-Series to PowerFlex 40 Drive Kit; Models with F220214M Motor order F8255006 1305-Series to PowerFlex 40 Drive Kit
	F370843	Inverter Drive	160 series; Models starting 11/1/99 through 7/1/04
	N/A	1305 to 160-Series AC Drive Retrofit Kit	200-240 Volt; Used with F220214U Motor
	N/A	1305 to 160-Series AC Drive Retrofit Kit	200-240 Volt; Used with F220214M Motor; Order F8255006 1305-Series to PowerFlex 40 Drive Kit
	N/A	1305 to 160-Series AC Drive Retrofit Kit	200-240 Volt; Used with F220236 Motor; Order F8255009 1305-Series to PowerFlex 40 Drive Kit
	N/A	1305 to 160-Series AC Drive Retrofit Kit	380-480 Volt; Used with F220214U Motor
	N/A	1305 to 160-Series AC Drive Retrofit Kit	380-480 Volt; Used with F220214M Motor
	N/A	1305 to 160-Series AC Drive Retrofit Kit	380-480 Volt; Used with F220236 Motor
9	F431137	Washer	
10	F430215	Nut	
11	F0350312-10	Fuse Holder	
12	N/A	Screw	
13	F430231	Nut	
14	M412534	Relay	
15	F140909	Insulator Bushing	
16	N/A	Control Module Box	Models through 10/31/99
	N/A	Control Module Box	Models starting 11/1/99 through 4/22/01
	F0635628-01	Control Box Assembly	Models starting 4/23/01
17	F200002504P	Coin Guide Assembly	Single drop
	F200002505	Coin Guide Assembly	Dual drop
18	F431215	Pop Rivet	
19	F631920	Water Level Switch Bracket	
20	F0340351-10P	Water Level Switch	
21	F180506	Standoff	
22	F430996	Screw	
23	F350110	Fuse	1 Amp; Slo
	F350145	Fuse	1.6 Amp; Slo
	F350115	Fuse	3 Amp; Fast
	F350146	Fuse	5 Amp
24	F180501	Standoff	

N/A = Part no longer available

AC Drive - EC, EP and EX Models



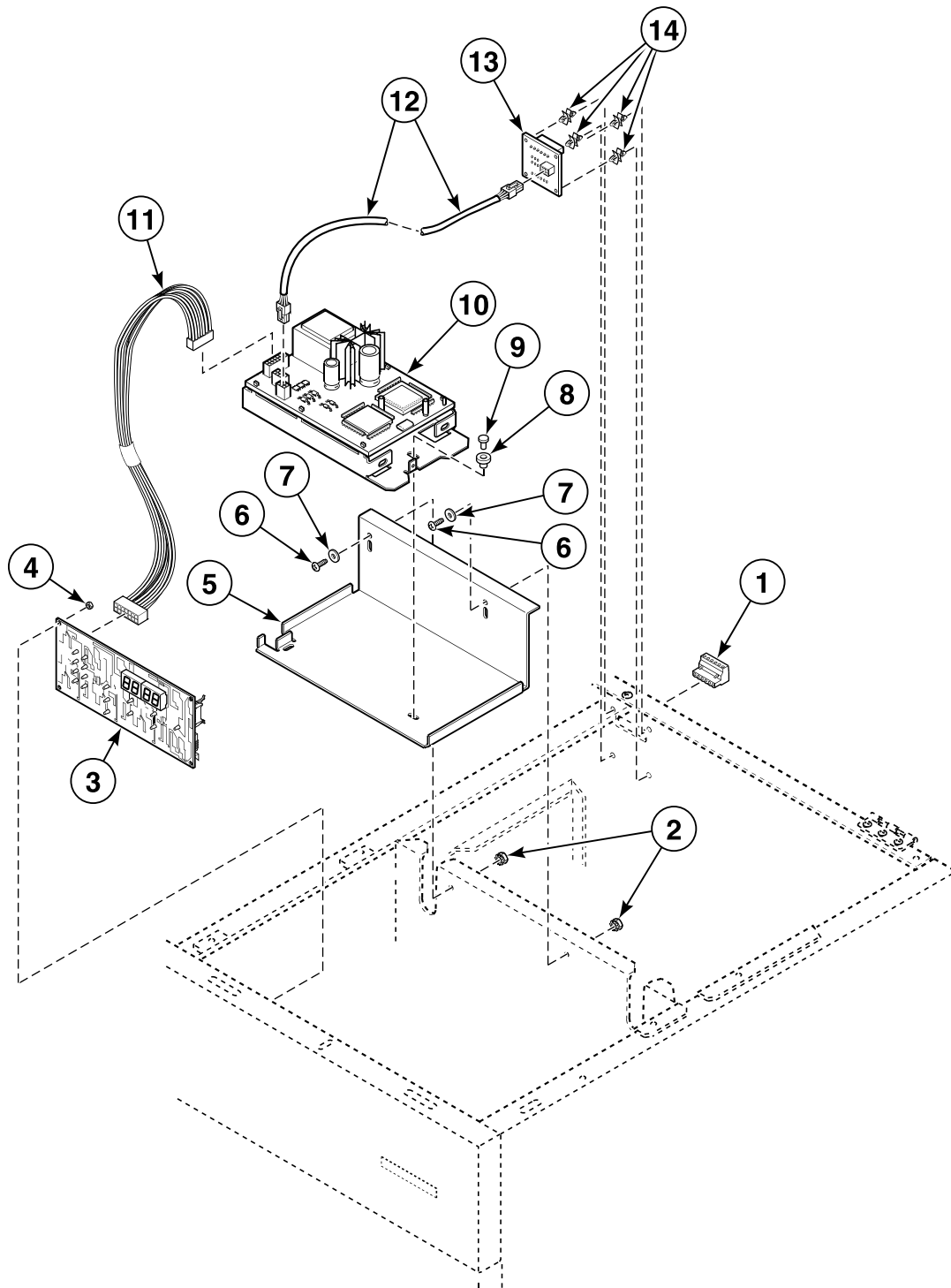
CHM3019P_F232153

AC Drive - EC, EP and EX Models

REF	PART NO.	DESCRIPTION	COMMENTS
1	F8255009	1305-Series to PowerFlex 40 Drive Kit	Models with 1305-series drive and F220236 Motor; Includes AC Drive F8103612; 200-240 Volt
	F8255006	1305-Series to PowerFlex 40 Drive Kit	Models with 1305-series drive and F220214M Motor; Includes AC Drive F8169415; 200-240 Volt
2	F200320900	AC Drive Radio Filter Assembly	

NOTE: Refer to the *Motor Manufacturer Part Number Location on the Motor's Nameplate* section for motor manufacturer part number location information.

Control Module - EC, EP, EX, NC, NR and NX Models

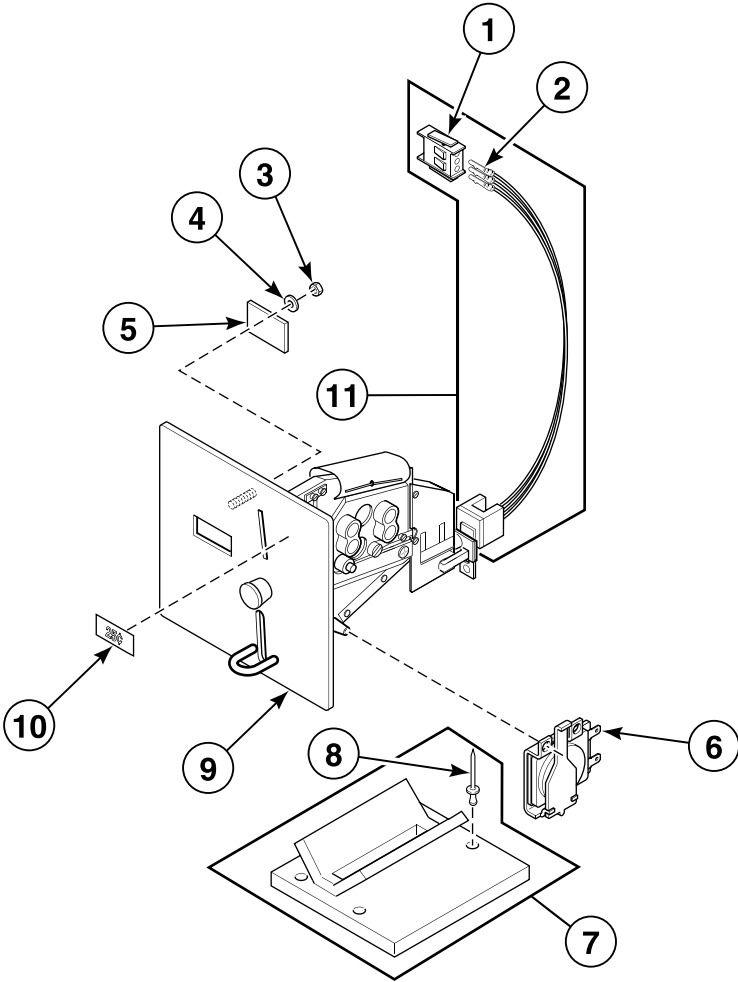


CHM2314P_F232153

Control Module - EC, EP, EX, NC, NR and NX Models

REF	PART NO.	DESCRIPTION	COMMENTS
1	210099	Communication Connector	Models HC80NCV, SC80NCV, SC80NRV and SC80NXV; Models starting 11/00
2	F430232	Nut	Models HC80NCV, SC80NCV, SC80NRV and SC80NXV; Models starting 11/00
3	F160203P	Logic Control Assembly	Models HC80NCV, SC80NCV, SC80NRV and SC80NXV
	F160200P	Control Assembly	Models SC80ECV, SC80EPV and SC80EXV
4	F431017	Nut	Models HC80NCV, SC80NCV, SC80NRV and SC80NXV; Models starting 11/00
5	F634769	Network Interface Control Mounting Bracket	Models HC80NCV, SC80NCV, SC80NRV and SC80NXV; Models starting 11/00
6	F430903	Screw	Models HC80NCV, SC80NCV, SC80NRV and SC80NXV; Models starting 11/00
7	F430311	Washer	Models HC80NCV, SC80NCV, SC80NRV and SC80NXV; Models starting 11/00
8	F170607	Grommet	Models HC80NCV, SC80NCV, SC80NRV and SC80NXV; Models starting 11/00
9	F432005	Rivet	Models HC80NCV, SC80NCV, SC80NRV and SC80NXV; Models starting 11/00
10	210016P	Network Board Assembly	Models HC80NCV, SC80NCV, SC80NRV and SC80NXV; Models starting 11/00
11	F141886	Network Board Harness	Models HC80NCV, SC80NCV, SC80NRV and SC80NXV; Models starting 11/00
12	F141888-2	Network Interface Harness	Models HC80NCV, SC80NCV, SC80NRV and SC80NXV; Models starting 11/00
13	210095P	Communication Board	Models HC80NCV, SC80NCV, SC80NRV and SC80NXV; Models starting 11/00
14	F180506	Standoff	Models HC80NCV, SC80NCV, SC80NRV and SC80NXV; Models starting 11/00

W2000 Coin Meter Assembly - EC, EP, EX, VC and VX Models; Single Drop



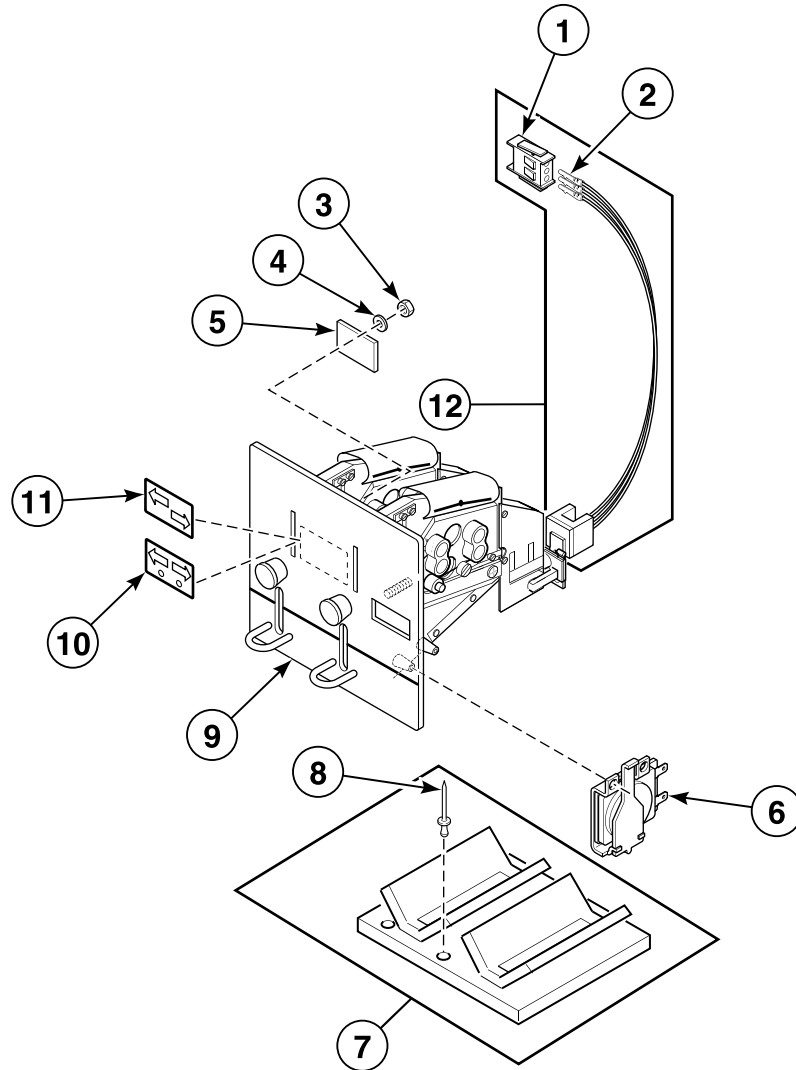
CHM2691P_F232153

W2000 Coin Meter Assembly - EC, EP, EX, VC and VX Models; Single Drop

REF	PART NO.	DESCRIPTION	COMMENTS
1	F140571	Male Connector	
2	00430	Female Pin Terminal	
3	F430243	Nut	
4	N/A	Washer	
5	F608925	Coin Meter Insert	
6	F160466P	Coin Meter Blocking Coil	120 Volt; Model HC80VXV
	F160467	Coin Meter Blocking Coil	220 Volt; Model HC80VXV
	F160713P	Coin Meter Solenoid	24 Volt; Models SC80ECV, SC80EPV and SC80EXV
7	F200002500P	Coin Guide Assembly	Includes item 8; Models through 11/95
	F200002502P	Coin Guide Assembly	Includes item 8; Models starting 12/95
8	F431215	Pop Rivet	
9	F200003800P	Coin Meter Assembly	U.S. \$.25; 120 Volt; Includes items 1-6, F775302-03 Coin Meter Kit; Models HC80VCV and HC80VXV
	F200003801	Coin Meter Assembly	10 Taiwan; 120 Volt; Includes items 1-6 and F200115001 Coin Meter Assembly; Model HC80VXV
	F200003802P	Coin Meter Assembly	.880 token; 220 Volt; Includes items 1-6 and F160692 Coin Meter; Model HC80VXV
	F200003803	Coin Meter Assembly	.990 token; 120 Volt; Includes items 1-6 and F200115003 Coin Meter Assembly; Model HC80VXV
	F200003804P	Coin Meter Assembly	U.S. \$.25; 24 Volt; Includes items 1-6 and 10; Models SC80ECV, SC80EPV and SC80EXV
	F200003805	Coin Meter Assembly	.990 token; 220 Volt; Includes items 1-6 and F160717 Coin Meter; Model HC80VXV
	F200003806P	Coin Meter Assembly	U.S. \$.25; 220 Volt; Includes items 1-6, 10 and F160718 Coin Meter; Model HC80VXV
	F200003807	Coin Meter Assembly	.08 jeton; 220 Volt; Includes items 1-6 and F160719 Coin Meter; Model HC80VXV
	F200003808	Coin Meter Assembly	.800 token; 120 Volt; Includes items 1-6 and F0160735-00 Coin Meter; Model HC80VXV
	F200003809	Coin Meter Assembly	500 wan and yen; 120 Volt; Includes items 1-6 and F0160739-00 Coin Meter; Model HC80VXV
	F200003810	Coin Meter Assembly	.800 token; 220 Volt; Includes items 1-6; Model HC80VXV
	F200003811	Coin Meter Assembly	500 wan and yen; 220 Volt; Includes items 1-6; Model HC80VXV
F200003812	Coin Meter Assembly	10 Taiwan; 220 Volt; Includes items 1-6; Model HC80VXV	
10	F231010	Coin Meter Insert Decal	\$.25 insert
11	F775801-03P	Optic Switch Kit	

N/A = Part no longer available

W2000 Coin Meter Assembly - EC, EP, EX, VC and VX Models; Dual Drop



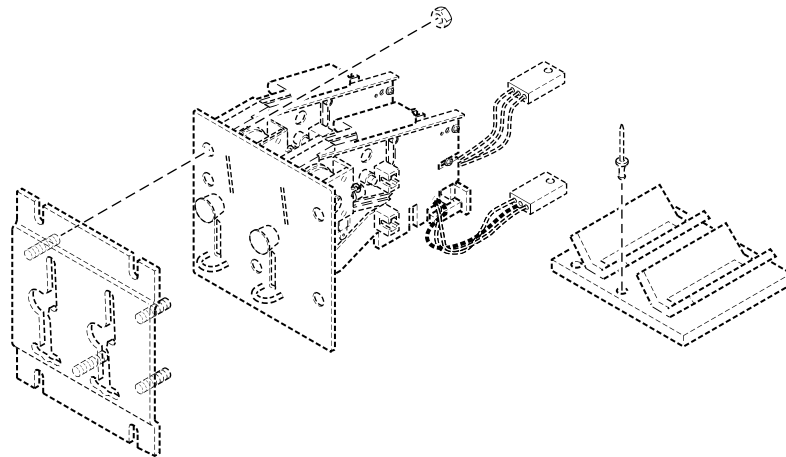
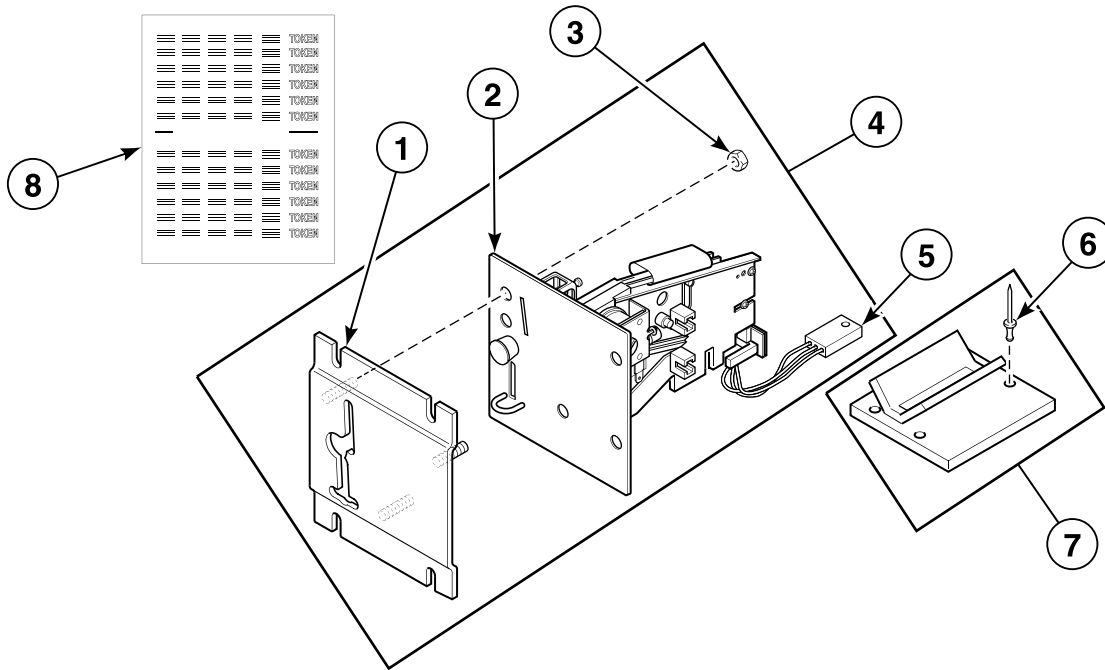
CHM2736P_F232153

W2000 Coin Meter Assembly - EC, EP, EX, VC and VX Models; Dual Drop

REF	PART NO.	DESCRIPTION	COMMENTS
1	F140571	Male Connector	
2	00430	Female Pin Terminal	
3	F430243	Nut	
4	N/A	Washer	
5	F608925	Coin Meter Insert	
6	F160466P	Coin Meter Blocking Coil	120 Volt; Model HC80VXV
	F160467	Coin Meter Blocking Coil	220 Volt; Model HC80VXV
	F160713P	Coin Meter Solenoid	24 Volt; Models SC80ECV, SC80EPV and SC80EXV
7	F200002501P	Coin Guide Assembly	Models through 12/95 Includes item 8
	F200002503	Coin Guide Assembly	Models starting 12/95; Includes item 8
8	F431215	Pop Rivet	
9	F200005200	Coin Meter Assembly	U.K. 1 pound and 20 pence; 220 Volt; Includes items 1-6 and F160691 Coin Meter; Model HC80VXV
	F200005201	Coin Meter Assembly	100 and 500 yen; 120 Volt; Includes items 1-6 and F160693 Coin Meter; Model HC80VXV
	F200005202	Coin Meter Assembly	1 and 5 krona; 220 Volt; Includes items 1-6 and F160694 Coin Meter; Model HC80VXV
	F200005203	Coin Meter Assembly	Australia 1.00 and .20; 220 Volt; Includes items 1-6 and F160695 Coin Meter; Model HC80VXV
	F200005204	Coin Meter Assembly	1 and 5 rand; 220 Volt; Includes items 1-6 and F160698 Coin Meter; Model HC80VXV
	F200005205	Coin Meter Assembly	1 and 5 shekel; 220 Volt; Includes items 1-6 and F160715 Coin Meter; Model HC80VXV
	F200005206	Coin Meter Assembly	U.S. \$1.00 and \$.25; 120 Volt; Includes items 1-6, 10 and F0160730-00 Coin Meter; Model HC80VXV
	F200005207	Coin Meter Assembly	100 and 500 peseta; 220 Volt; Includes items 1-6; Model HC80VXV
	F200005208	Coin Meter Assembly	.50 and 2.00 euro; 220 Volt; Includes items 1-6, 11 and F0160736-00 Coin Meter; Model HC80VXV
	F200005209	Coin Meter Assembly	Canada 1.00 and .25; 120 Volt; Includes items 1-6, 10 and F0160740-00 Coin Meter; Model HC80VXV
	F200005210	Coin Meter Assembly	U.S. \$1.00 and \$.25; 220 Volt; Includes items 1-6 and 10; Model HC80VXV
	F200005211	Coin Meter Assembly	Canada 1.00 and .25; 220 Volt; Includes items 1-6 and 10; Model HC80VXV
F200005212	Coin Meter Assembly	100 and 500 yen; 220 Volt; Includes items 1-6; Model HC80VXV	
10	F0231595-00	Coin Meter Decal	\$1.00 and \$.25
11	N/A	Coin Meter Decal	.50 and 2.00 euro
12	F775801-03P	Optic Switch Kit	

N/A = Part no longer available

Flush Mount Coin Meter Assembly - NC and NX Models (Drawing 1 of 2)



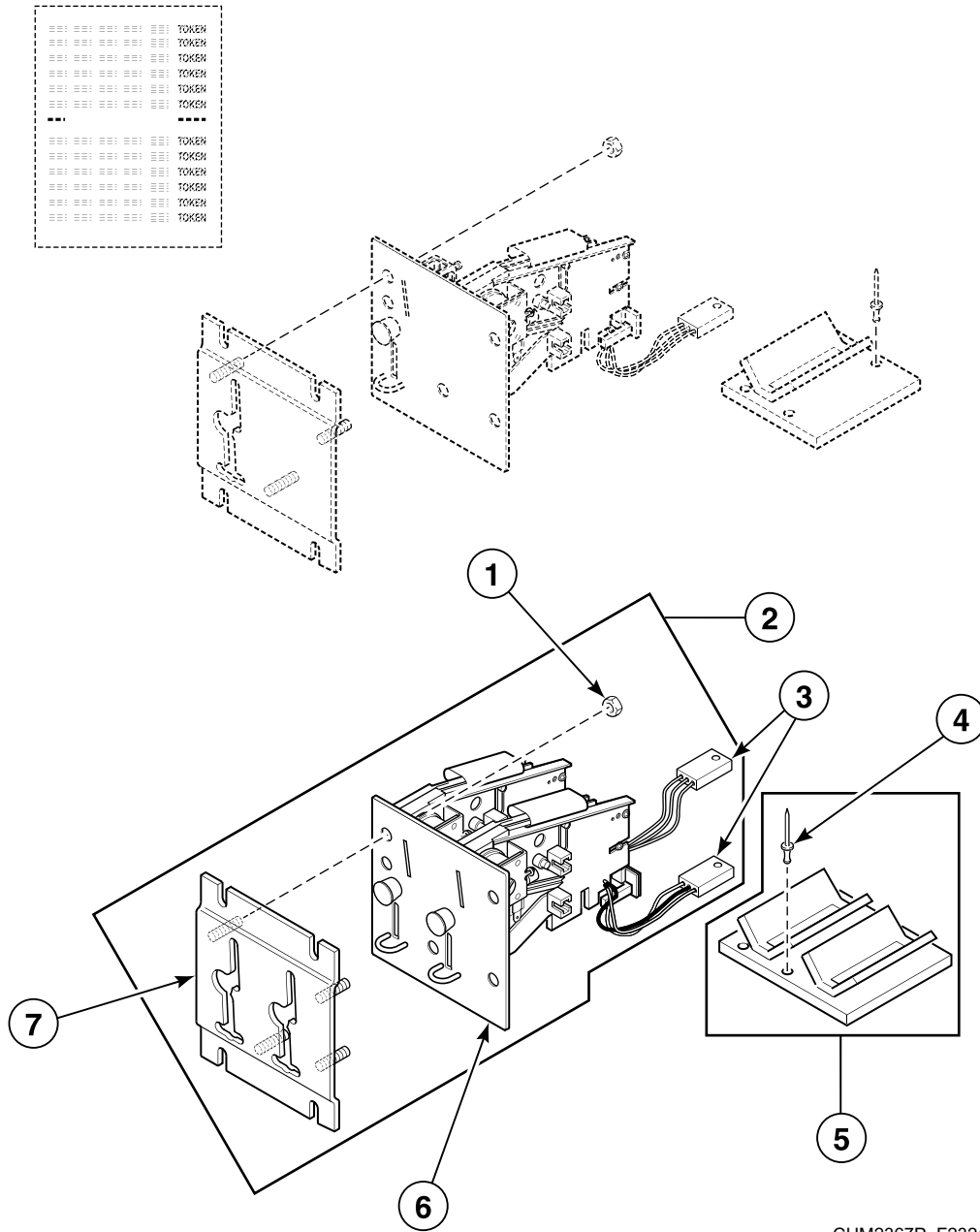
CHM2366P_F232153

Flush Mount Coin Meter Assembly - NC and NX Models (Drawing 1 of 2)

REF	PART NO.	DESCRIPTION	COMMENTS
1	F0636707-00	Mounting Bracket Assembly	Single drop
2	38464P	Coin Drop Assembly	Single drop; Canada .25
	N/A	Coin Drop Assembly	Single drop; Australia .20
	N/A	Coin Drop Assembly	Single drop; Belgium 5 franc
	N/A	Coin Drop Assembly	Single drop; Denmark 2 krone
	N/A	Coin Drop Assembly	Single drop; United Kingdom 20 pence
	N/A	Coin Drop Assembly	Single drop; France 2 franc
	N/A	Coin Drop Assembly	Single drop; Hong Kong 5 dollar
	N/A	Coin Drop Assembly	Single drop; Italy 500 lirraiget
	N/A	Coin Drop Assembly	Single drop; Japan 100 yen
	N/A	Coin Drop Assembly	Single drop; Korea 500 won
	N/A	Coin Drop Assembly	Single drop; South Africa 2 rand
	N/A	Coin Drop Assembly	Single drop; Spain 100 peseta
	N/A	Coin Drop Assembly	Single drop; Thailand 10 baht
	N/A	Coin Drop Assembly	Single drop; .886 token
	N/A	Coin Drop Assembly	Single drop; 1.000 token
	N/A	Coin Drop Assembly	Single drop; Jeton 08 token
	38479P	Coin Drop	Single drop; U.S. \$.25
	N/A	Coin Drop Assembly	Single drop; .800 token
	38462P	Coin Drop Assembly	Single drop; .880 token
	38463	Coin Drop Assembly	Single drop; .990 token
	N/A	Coin Drop Assembly	Single drop; Jeton WH121 token
3	685846	Nut	Single drop
4	F200010000P	Coin Meter Assembly	Single drop; U.S. \$.25; Includes items 1-3
	F200010006	Coin Meter Assembly	Single drop; .800 token; Includes items 1-3
	F200010007	Coin Meter Assembly	Single drop; .880 token; Includes items 1-3
	F200010009	Coin Meter Assembly	Single drop; .990 token; Includes items 1-3
	F200010011	Coin Meter Assembly	Single drop; Jeton WH121 token; Includes items 1-3
5	200674P	Opto Coupler	
6	F431215	Pop Rivet	Single drop
7	F200002504P	Coin Guide Assembly	Single drop; Includes item 5
8	38725	Coin Identification Paper	

N/A = Part no longer available

Flush Mount Coin Meter Assembly - NC and NX Models (Drawing 2 of 2)



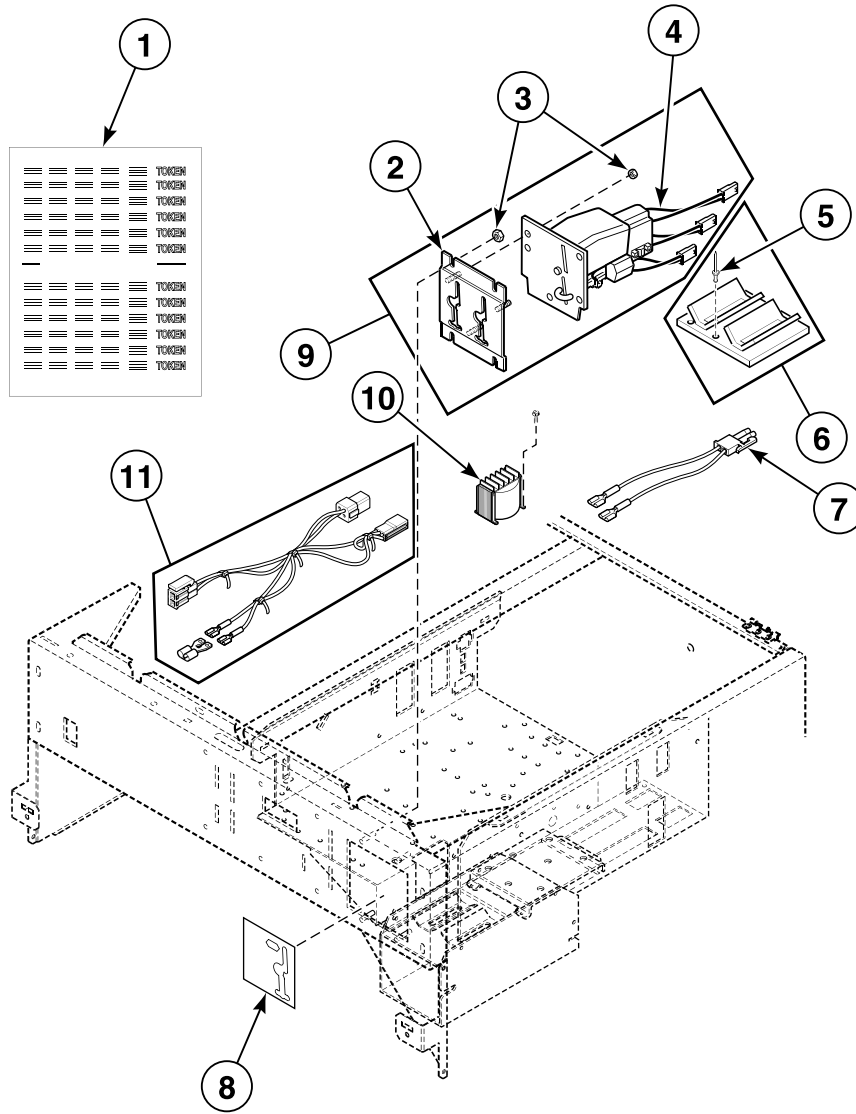
CHM2367P_F232153

Flush Mount Coin Meter Assembly - NC and NX Models (Drawing 2 of 2)

REF	PART NO.	DESCRIPTION	COMMENTS
1	685846	Nut	Single drop
2	F200010001	Coin Meter Assembly	Dual drop; Australia .20 and 1; Includes items 1, 5 and 6
	F200010002	Coin Meter Assembly	Dual drop; 100 and 500 yen; Includes items 1, 5 and 6
	F200010003	Coin Meter Assembly	Dual drop; Canada \$1 and \$.25; Includes items 1, 5 and 6
	F200010004	Coin Meter Assembly	Dual drop; New Zealand .20 and 1; Includes items 1, 5 and 6
	F200010005	Coin Meter Assembly	Dual drop; U.S. \$1 and \$.25; Includes items 1, 5 and 6
	F200010008	Coin Meter Assembly	Dual drop; .50 and 2.00 euro; Includes items 1, 5 and 6
	F200010010	Coin Meter Assembly	Dual drop; 10 and 50 Taiwan; Includes items 1, 5 and 6
3	200674P	Opto Coupler	
4	F431215	Pop Rivet	Single drop
5	F200002505	Coin Guide Assembly	Dual drop; Includes item 3
6	N/A	Coin Meter	Dual drop; 10 and 50 Taiwan
	N/A	Coin Meter	Dual drop; Belgium 5 and 20 franc
	N/A	Coin Meter	Dual drop; Denmark 1 and 5 krone
	N/A	Coin Meter	Dual drop; Denmark 5 and 10 krone
	38472	Coin Drop Assembly	Dual drop; United Kingdom 20 pence and 1 pound
	N/A	Coin Meter	Dual drop; .20 and .50 euro
	210195	Coin Drop Assembly	Dual drop; .20 and 1.00 euro
	210196	Coin Drop Assembly	Dual drop; .50 and 1.00 euro
	N/A	Coin Meter	Dual drop; 2 and 5 franc
	N/A	Coin Meter	Dual drop; 2 and 10 franc
	39157	Coin Drop Assembly	Dual drop; Israel 1 and 5 shekel
	38521	Coin Drop Assembly	Dual drop; Korea 100 and 500 won
	N/A	Coin Meter	Dual drop; Spain 100 and 500 peseta
	N/A	Coin Drop Assembly	Dual drop; Australia .20 and 1
	N/A	Coin Drop Assembly	Dual drop; Japan 100 and 500 yen
	N/A	Coin Drop Assembly	Dual drop; Canada \$1 and \$.25
	N/A	Coin Drop Assembly	Dual drop; New Zealand .20 and 1
	70256402P	Coin Drop	Dual drop; U.S. \$1 and \$.25
	F0160737-00	Coin Meter	Dual drop; .50 and 2.00 euro
	70281102	Coin Drop Assembly	Dual drop; Taiwan 10 and 50 dollar
	N/A	Coin Meter	Dual drop; Taiwan 5 and 10 dollar
7	F635319	Mounting Bracket Assembly	Dual drop

N/A = Part no longer available

Electronic Coin Meter Assembly - NC and NX Models

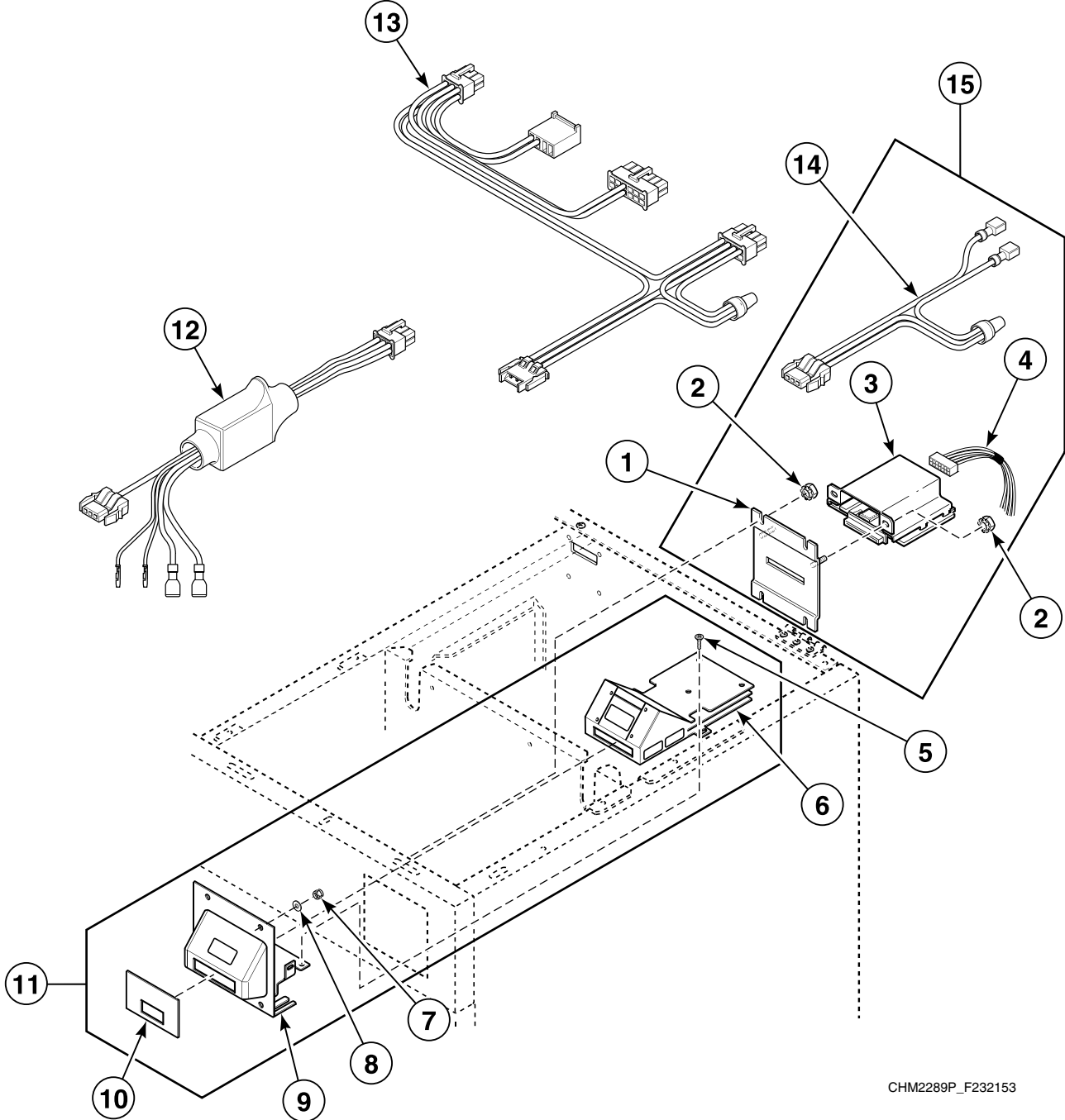


CHM2824P_F232153

Electronic Coin Meter Assembly - NC and NX Models

REF	PART NO.	DESCRIPTION	COMMENTS
	CK500	Electronic Coin Drop Kit	Includes items 2, 3, 8, 10 and 11
	CK100	Electronic Coin Drop Kit	Includes items 1, 4, 7, 8 and 201572 Clip
1	38725	Coin Identification Paper	
2	F635319	Mounting Bracket Assembly	
3	685846	Nut	
4	70294101P	Electronic Coin Drop Assembly	U.S., Canada, Japan and Taiwan; Includes 201216 Nut
	70294107	Electronic Coin Drop Assembly	Latvia and euro
	70294109	Electronic Coin Drop Assembly	Singapore, China, Russia and Malaysia
	70294105P	Electronic Coin Drop Assembly	Australia, New Zealand, Hong Kong, South Korea and Malaysia; Includes 20216 Nut
	70294103P	Electronic Coin Drop Assembly	United Kingdom and euro; Includes 20216 Nut
	70294104	Electronic Coin Drop Assembly	Denmark, Norway and euro
	70294106	Electronic Coin Drop Assembly	Mexico, Ecuador and U.S.
5	F431215	Pop Rivet	
6	F200002505	Coin Guide Assembly	Includes item 5
7	F0637798-00	Harness	
8	70295101	Overlay	Black; Models SC80NCV and SC80NXV
	70295301	Overlay	Gray; Model HC80NCV
9	F200021600	Coin Meter Assembly	U.S., Canada, Japan and Taiwan; Includes items 2-4; CK500 Electronic Coin Drop Kit required for installation
	F200021601	Coin Meter Assembly	Australia, New Zealand, Hong Kong, South Korea and Malaysia; Includes items 2-4; CK500 Electronic Coin Drop Kit required for installation
	F200021602	Coin Meter Assembly	United Kingdom and euro; Includes items 2-4; CK500 Electronic Coin Drop Kit required for installation
	F200021603	Coin Meter Assembly	Denmark, Norway and euro; Includes items 2-4; CK500 Electronic Coin Drop Kit required for installation
	F200021604	Coin Meter Assembly	Mexico, Ecuador and U.S.; Includes items 2-4; CK500 Electronic Coin Drop Kit required for installation
10	210019P	Transformer	
11	F200008700	Access Transformer Harness	

Card Reader - EP, NP and NR Models (Drawing 1 of 2)



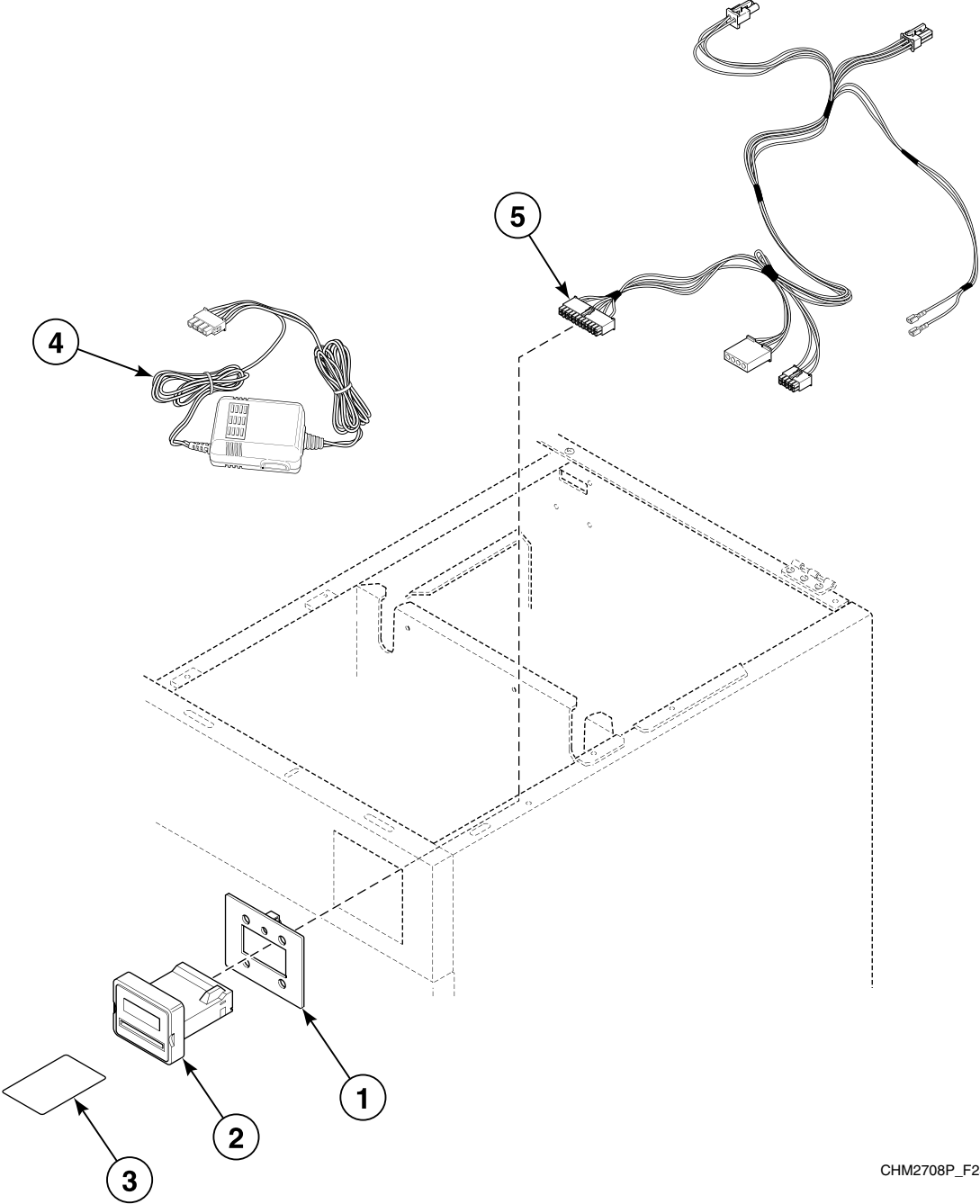
CHM2289P_F232153

Card Reader - EP, NP and NR Models (Drawing 1 of 2)

REF	PART NO.	DESCRIPTION	COMMENTS
1	F635320	Mounting Bracket Assembly	
2	F431017	Nut	
3	510068P	Card Reader and Bracket Assembly	
4	F141887	Card Reader Harness	Non-network models
	F141889	Card Reader Harness	Network models
5	F430174	Screw	
6	39685P	Card Reader	
7	F430215	Nut	
	685846	Nut	
8	F430311	Washer	
9	N/A	Nosecone	
10	F231384-1	Cardmate Plus Decal	Models SC80EPV, SC80NPV and SC80NRV; Card Reader
11	F200023500	Cardmate Plus Assembly	Model SC80EPV; Includes items 5, 6, 8-10 and F430215 Nut
	F200023502	Cardmate Plus Assembly	Model SC80NPV; Includes items 5, 6, 8-10 and F430220 Nut
12	F141867	Wire Harness	Model SC80EPV
13	F141895	Card Reader Harness Assembly	Model SC80EPV
14	F631973-2	Harness	Access; Models NC80NPV, SC80NPV and SC80NRV
15	F200019900	Card Reader Assembly	Models NC80NPV, SC80NPV and SC80NRV; Non-network models; Includes items 1-3, 14 and F141887 Card Reader Harness
	F200019901	Card Reader Assembly	Models NC80NPV, SC80NPV and SC80NRV; Network models; Includes items 1-3, 14 and F141889 Card Reader Harness

N/A = Part no longer available

Card Reader - EP, NP and NR Models (Drawing 2 of 2)

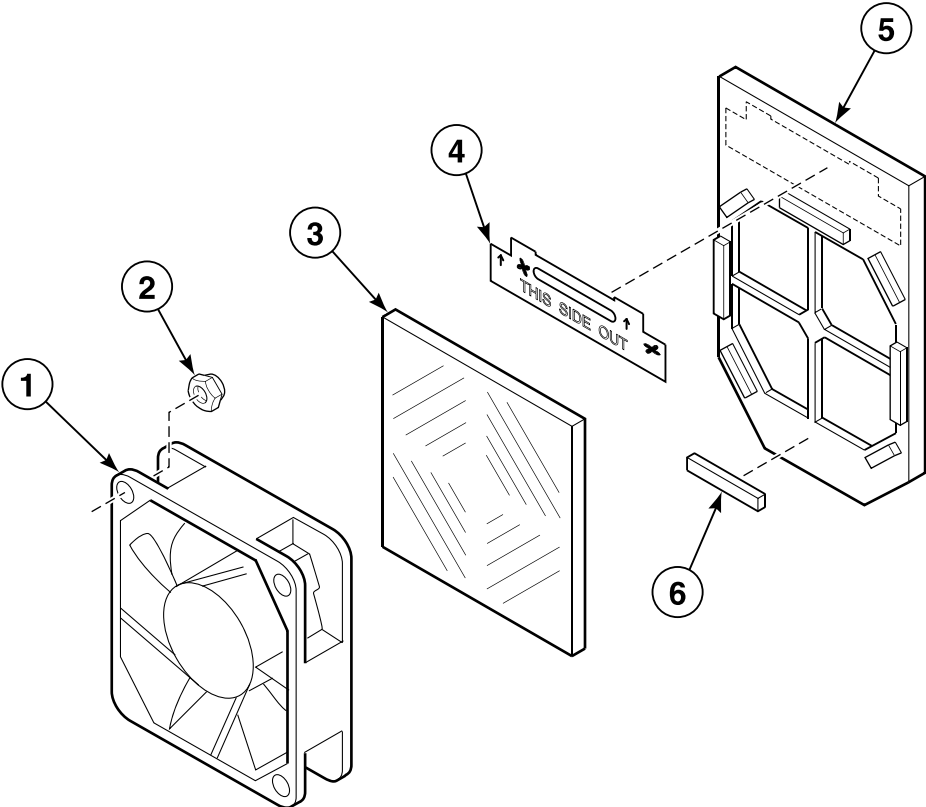


CHM2708P_F232153

Card Reader - EP, NP and NR Models (Drawing 2 of 2)

REF	PART NO.	DESCRIPTION	COMMENTS
	F878P3	Card Reader Kit	Model SC80EPV; Includes items 1, 2, 4 and 5
	F886P3	Card Reader Kit	Models NC80NPV, SC80NPV and SC80NRV; 120 Volt; Includes items 1, 2, 4 and 5
	F884P3	Card Reader Kit	Models NC80NPV, SC80NPV and SC80NRV; 220 Volt; Includes items 1, 2, 4 and 5
1	512506	Mounting Plate Assembly	
2	512473	Card Reader	
3	512499P	Programming Card	
4	512496	Power Supply	120 Volt
	512497	Power Supply	220 Volt
5	512500	Harness	Model SC80EPV
	512502	Harness	Models NC80NPV, SC80NPV and SC80NRV

Drive Fan and Filter

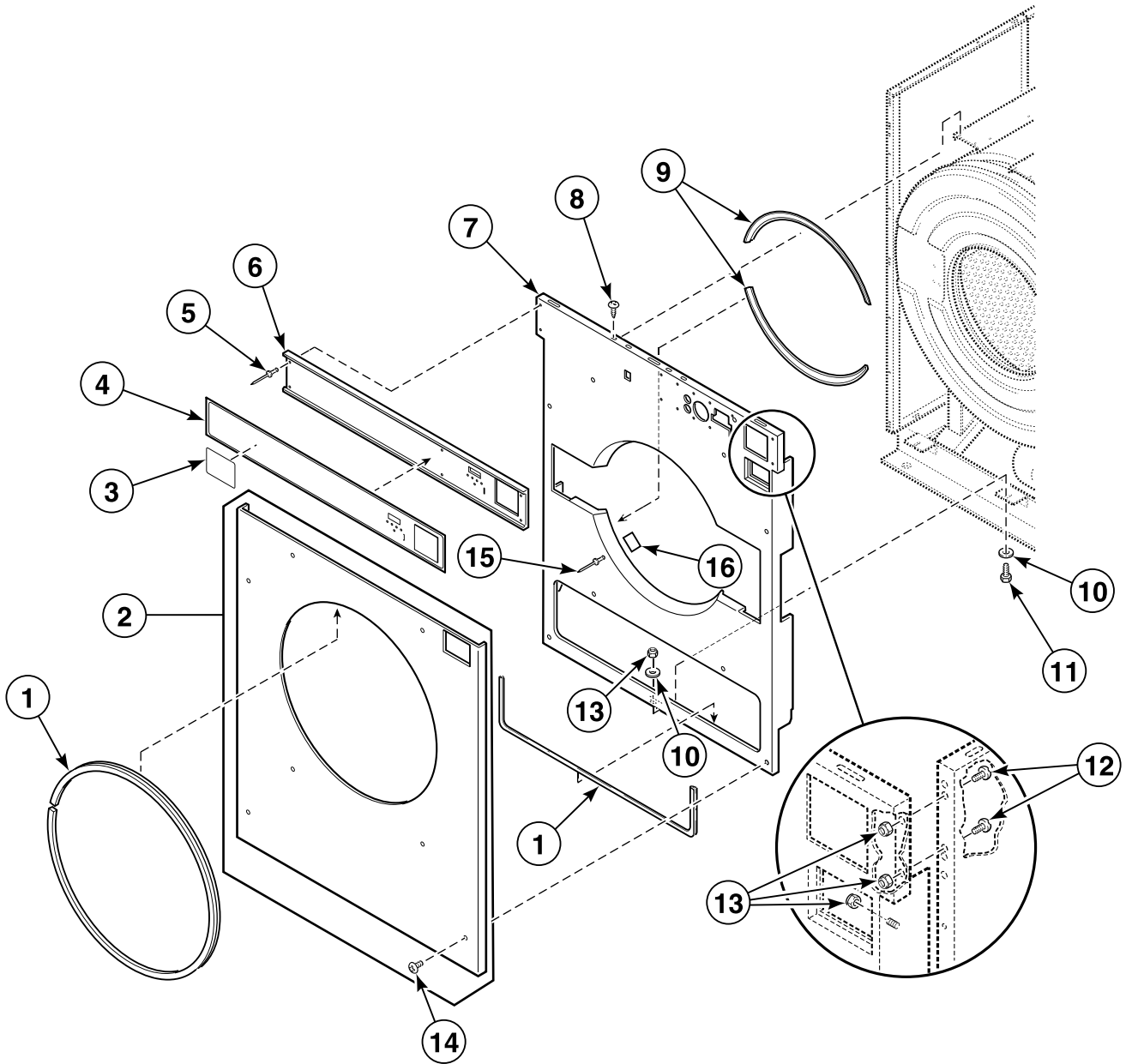


CHM2188P_F232153

Drive Fan and Filter

REF	PART NO.	DESCRIPTION	COMMENTS
1	F110106	Muffin Fan	120 Volt; Models HC80VCV, HC80VNV, HC80VXV, SC80VNV and UC80VNV
	F110105	Muffin Fan	220 Volt; Models HC80NCV, NC80NPV, SC80ECV, SC80EPV, SC80EXV, SC80NCV, SC80NPV, SC80NRV and SC80NXV
2	F430231	Nut	
3	F0270321-00P	Filter	
4	F231377	Filter Handle Decal	
5	F633321	Cooling Fan Filter Slide	
6	F140639	Velcro	

Inner and Outer Front Panels - Models Through 8/1/99



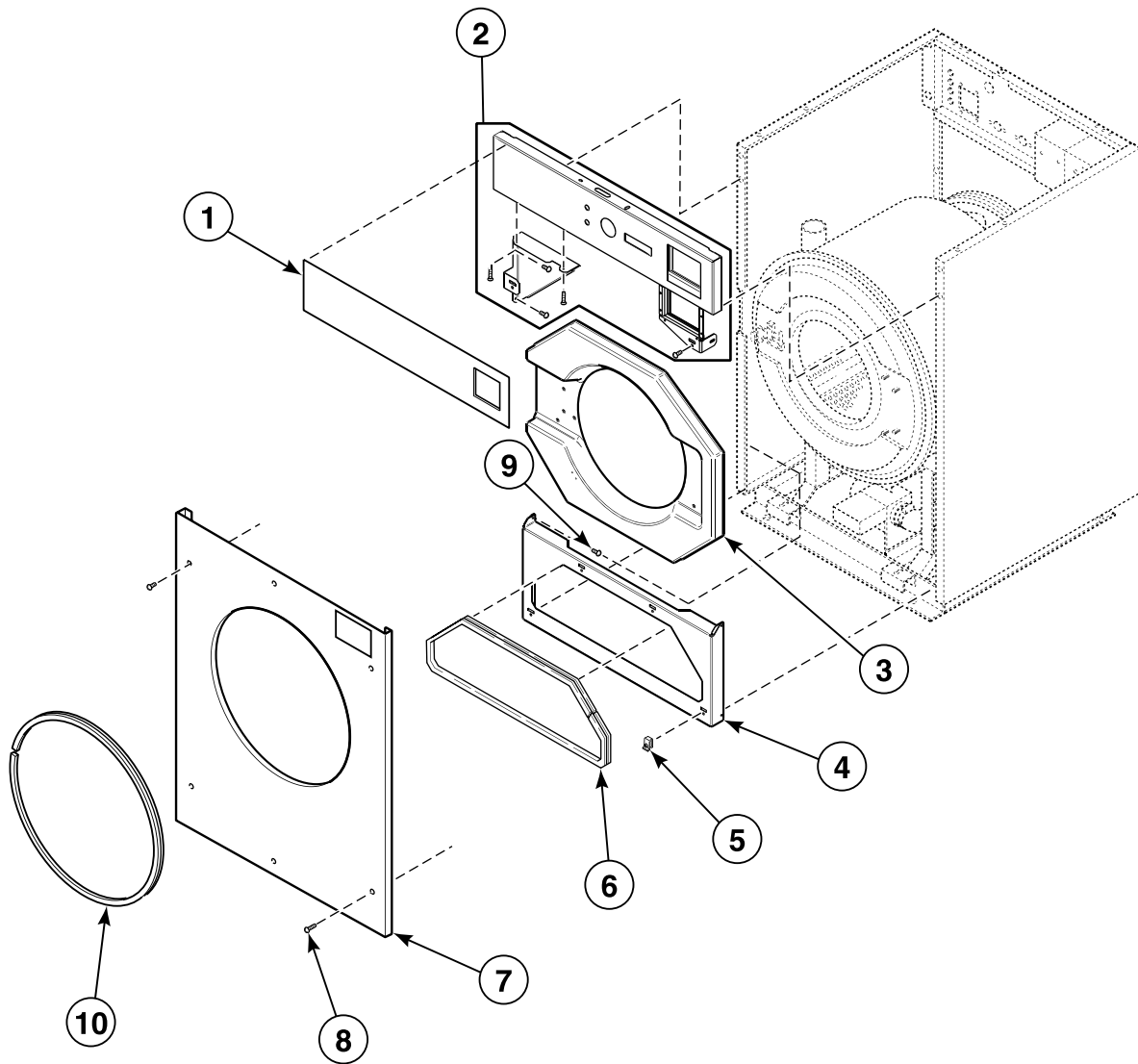
CHM2189P_F232153

Inner and Outer Front Panels - Models Through 8/1/99

REF	PART NO.	DESCRIPTION	COMMENTS
1	F015050100P	Trim	F8142701 Adhesive required for installation
2	F757476	Front Panel Kit	Includes item 14; Coin and card models
	F757480	Front Panel Kit	Includes item 14; OPL models
3	F231402	Overlay	Model UC80VNV
	N/A	Overlay	Models HC80VCV, HC80VNV and HC80VXV
	F231404	Overlay	Model SC80VNV
4	N/A	Control Panel Decal	Models HC80VCV and HC80VXV
	N/A	Control Panel Decal	Models HC80VCV and HC80VXV; Clean Rite
	N/A	Control Panel Decal	Model SC80ECV
	F231471	Control Panel Decal	Model SC80VNV
	F231494	Control Panel Decal	Model UC80VNV
5	N/A	Pop Rivet	
6	F150476	Control Panel	Model SC80ECV
	F150477	Control Panel	Models HC80VCV, HC80VNV, HC80VXV, SC80VNV and UC80VNV
7	F603989-4	Inner Front Panel	
8	F430174	Screw	
9	F170401P	Gasket	
10	M405535	Washer	
11	F430935	Screw	
12	F430925	Screw	
13	F430215	Nut	
14	F430986	Screw	
15	J1111905	Blind Rivet	
16	F200321200	Magnetic Switch Assembly	With terminals
	F0340723-00	Magnetic Switch	Without terminals

N/A = Part no longer available

Inner and Outer Front Panels - Coin and Card Models Starting 8/2/99



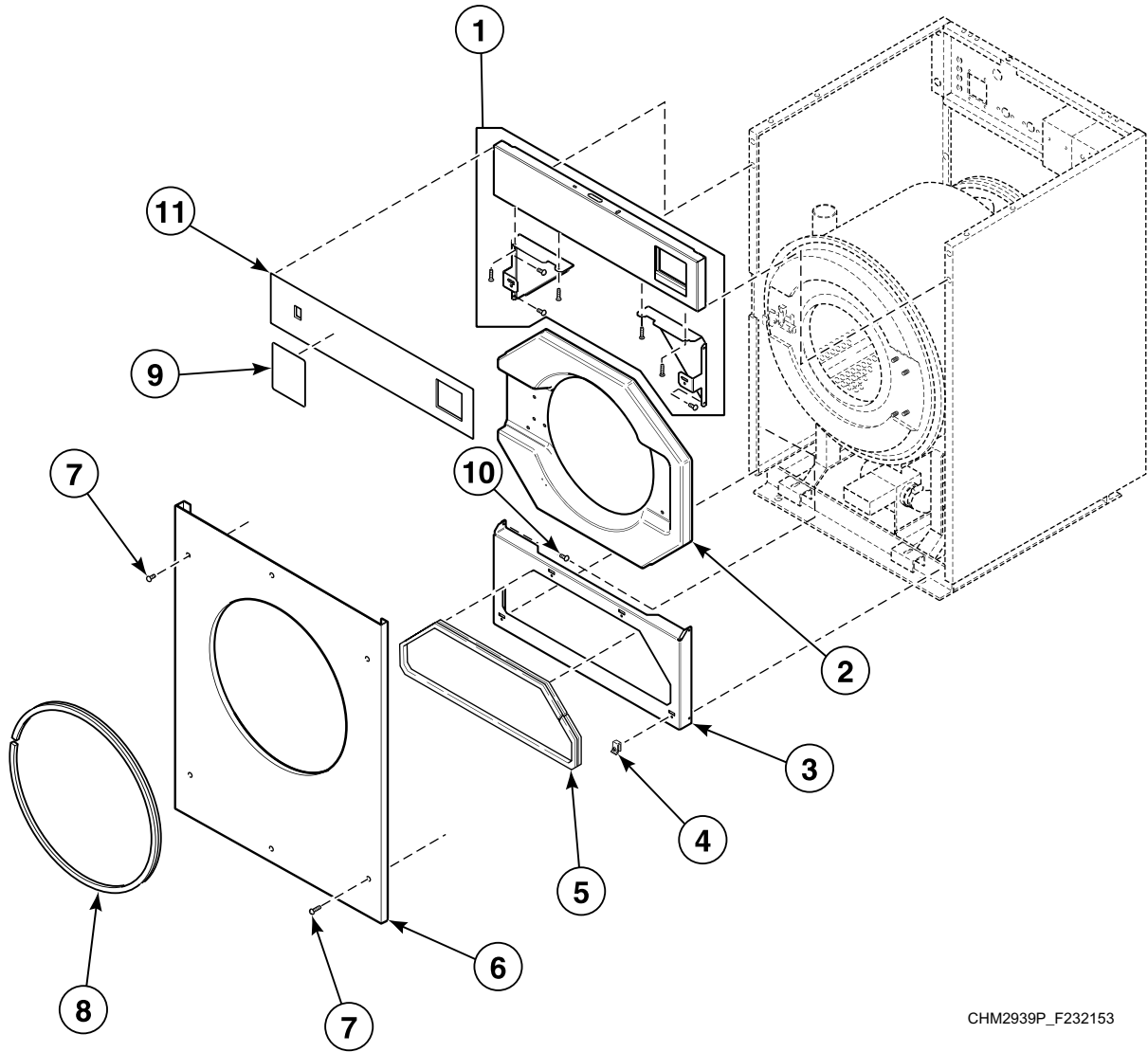
CHM2938P_F232153

Inner and Outer Front Panels - Coin and Card Models Starting 8/2/99

REF	PART NO.	DESCRIPTION	COMMENTS
1	F231524-1	Control Decal	Model SC80NCV; Single drop
	F231524-2	Control Decal	Model SC80NCV; Dual drop
	F231524-3	Control Panel Decal	Models SC80NPV and SC80NXV
	F0231440-00	Control Panel Decal	Model SC80NRV
	N/A	Control Panel Decal	Models SC80ECV and SC80EXV
	N/A	Control Panel Decal	Models HC80VCV and HC80VXV
	N/A	Control Panel Decal	Models HC80VCV and HC80VXV; Clean Rite
2	F634832-1	Control Panel Assembly	Models HC80VCV and HC80VXV
	N/A	Control Panel Assembly	Models SC80ECV and SC80EPV
	F635349	Control Panel Assembly	Models HC80NCV, NC80NPV, SC80NCV, SC80NPV, SC80NRV and SC80NXV
3	F170419-2	Door Bezel	Models HC80NCV, HC80VCV and HC80VXV
	F170419-1	Door Bezel	All other models
4	F634804	Front Cabinet Brace	
5	F430264	Nut	Tinnerman
6	F170402P	Gasket	
7	F8200701P	Front Panel	Coin models; Stainless steel
	F634688-2	Front Panel	Coin models; Almond
	F634688-5	Front Panel	Coin models; White
	F8200702P	Front Panel	Card models; Stainless steel
	N/A	Front Panel	Card models; Almond
	F634818-5P	Front Panel	Card models; White
9	F430174	Screw	
8	F430956	Screw	
10	F015050100P	Trim	Models through 4/1/08; F8142701 Adhesive required for installation

N/A = Part no longer available

Inner and Outer Front Panels - OPL Models Starting 8/2/99



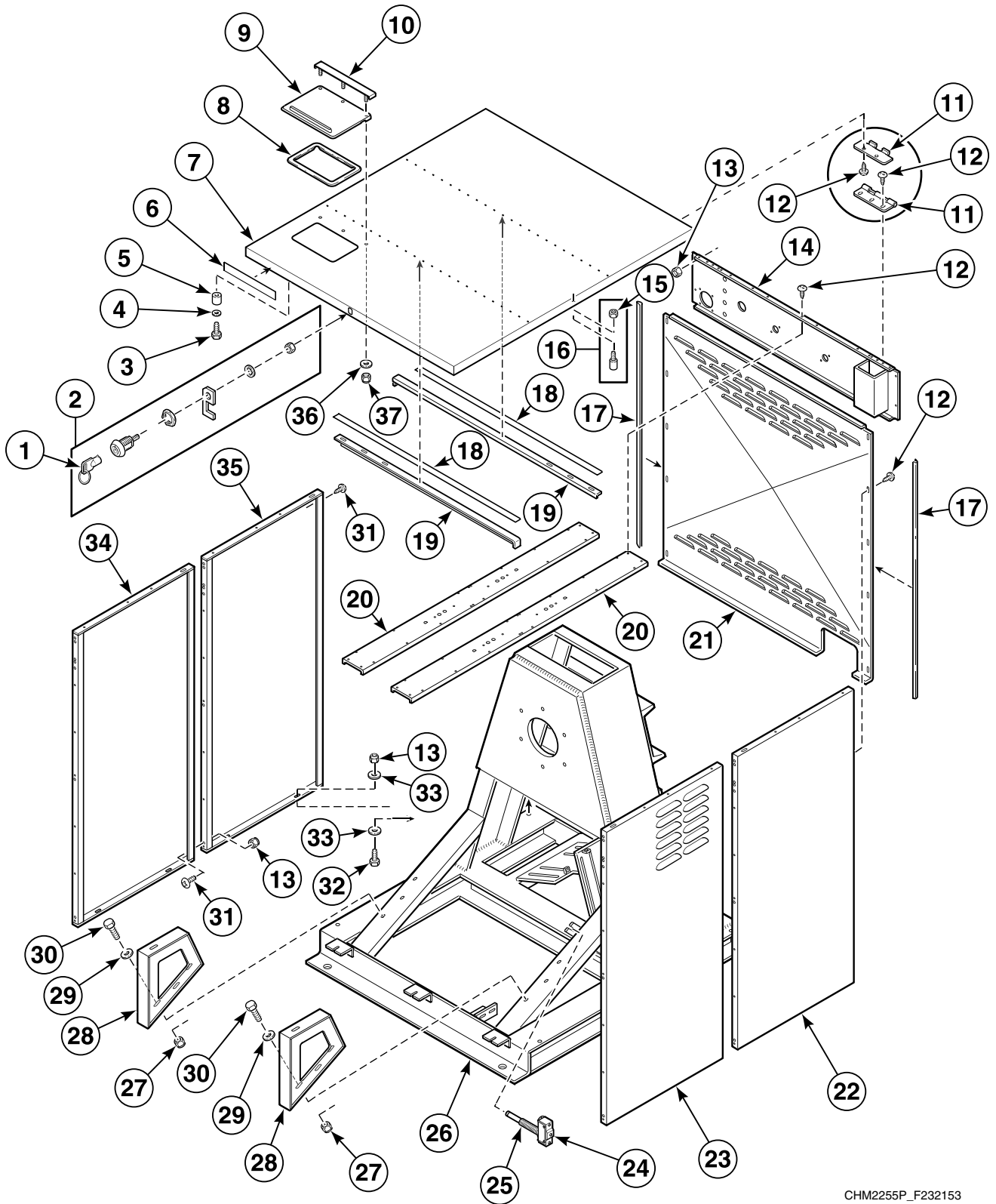
CHM2939P_F232153

Inner and Outer Front Panels - OPL Models Starting 8/2/99

REF	PART NO.	DESCRIPTION	COMMENTS
1	F634832-2	Control Panel Assembly	
2	F170419-2	Door Bezel	Model HC80VNV
	F170419-1	Door Bezel	Models SC80VNV and UC80VNV
3	F634804	Front Cabinet Brace	
4	F430264	Nut	Tinnerman
5	F170402P	Gasket	
6	F8200702P	Front Panel	Stainless steel
	N/A	Front Panel	Almond
	F634818-5P	Front Panel	White
7	F430956	Screw	
8	F015050100P	Trim	Models through 4/1/08; F8142701 Adhesive required for installation
9	F231404	Overlay	Model SC80VNV
	F231402	Overlay	Model UC80VNV
	N/A	Overlay	Model HC80VNV
10	F430174	Screw	
11	F231471	Control Panel Decal	Model SC80VNV
	F231494	Control Panel Decal	Model UC80VNV
	F231549	Control Panel Decal	Model HC80VNV

N/A = Part no longer available

Cover Panels and Frame



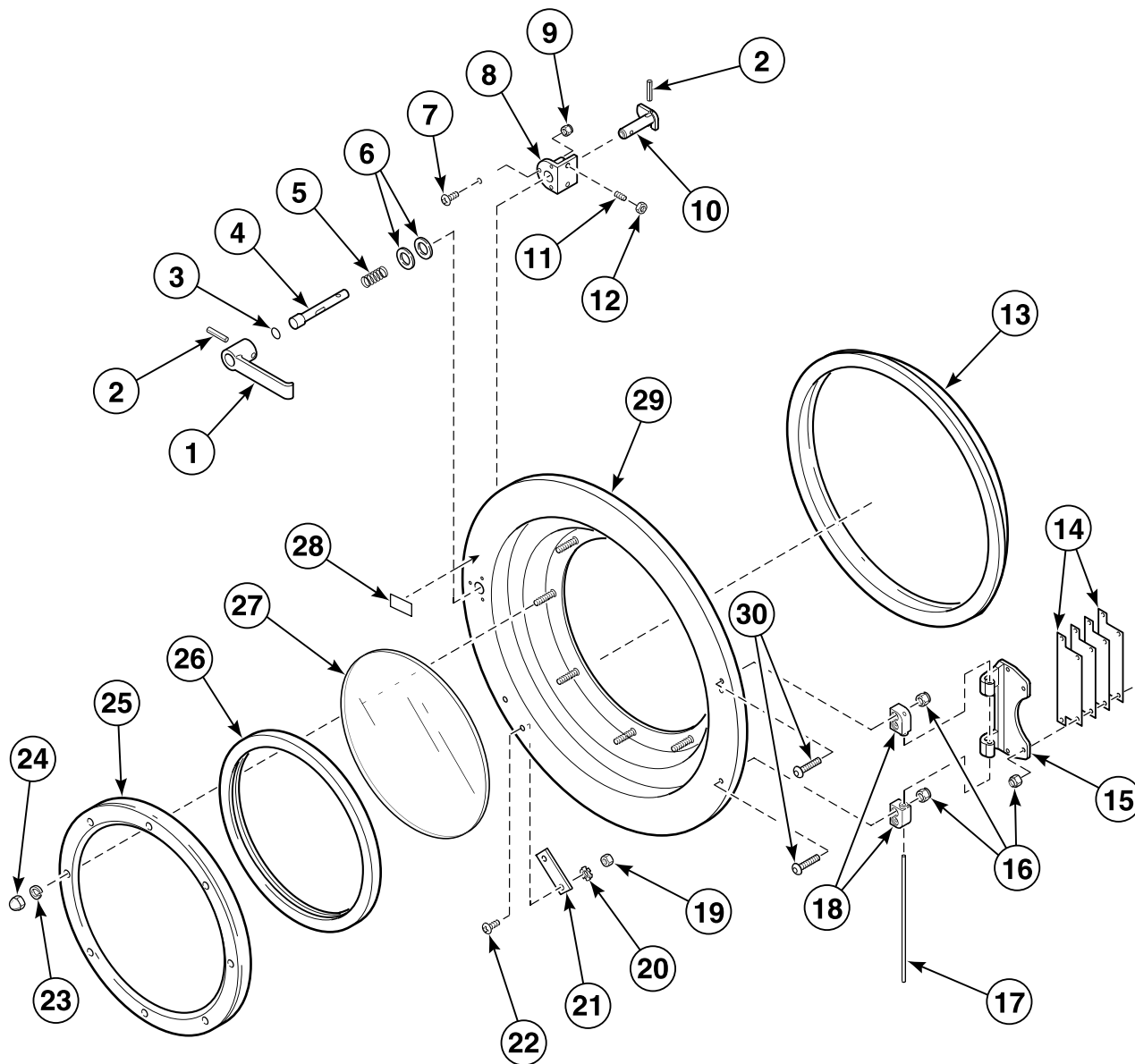
CHM2255P_F232153

Cover Panels and Frame

REF	PART NO.	DESCRIPTION	COMMENTS
1	F160562	Key	GR3800; Round
	70155603	Key	RL003; Flat
2	F190802P	Lid Lock	GR3800; Round; Includes item 1
	F190805P	Lid Lock	RL003; Flat; Includes item 1
3	F430923	Screw	
4	F431103	Washer	
5	F430416	Door Bumper Bushing	
6	N/A	Supply Decal	Supply compartment
7	F635398	Top Cover Assembly	
8	F170170	Supply Dispenser Gasket	
9	F200270500	Supply Dispenser Lid	
10	F630430	Lid Clamp Assembly	
11	F190203P	Take-Apart Hinge	
12	F430174	Screw	
13	F430215	Nut	
14	F608797	Valve Panel Sub-Assembly	
15	F430231	Nut	
16	F390300	Stud	Includes item 15
17	F170402P	Gasket	
18	F410212	Double-Coated Tape	Order 8 feet
19	F603980	Top Cover Stiffener	
20	F603972	Top Brace	
21	F603976	Rear Panel	
22	F634308	Side Panel	Right rear
23	F633334	Side Panel	Right front
24	F340901	Switch	
25	F340913	Switch Extension	
26	F633673	Frame Assembly	
27	20274	Nut	
28	F603947	Support	
29	M400081	Washer	
30	800461	Screw	
31	F430925	Screw	
32	F430108	Screw	
33	F430317	Washer	
34	F603969P	Side Panel	Left front
35	F634310	Side Panel	Left rear
36	F431147	Washer	
37	F431024	Nut	

N/A = Part no longer available

Door

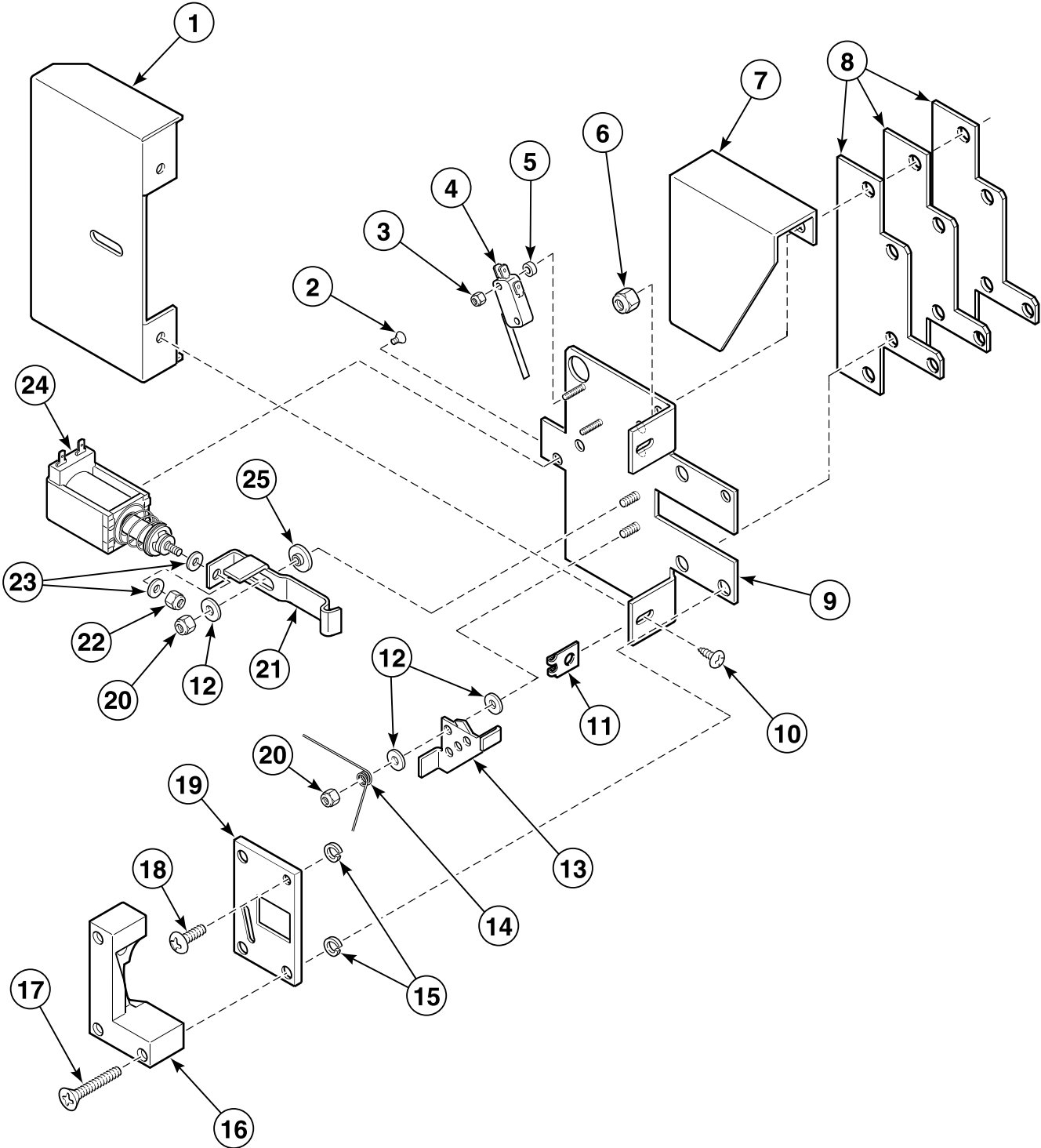


U003PE3B_F232153

Door

REF	PART NO.	DESCRIPTION	COMMENTS
1	F150225	Door Handle	
2	F431222	Spring Pin	
3	F230662	Red Dot Decal	
4	F320300	Pushbutton Rod	
5	F310125	Door Lock Spring	
6	F431907	Washer	Thick
	F431916	Washer	Thin
7	F430976	Screw	
8	F0150273-00	Door Spacer	
9	F430232	Nut	
10	F730155	Door Handle Kit	Includes items 1-6, 8, 11 and 12
11	F430532	Screw	
12	F431041	Nut	
13	F170164	Door Gasket	
14	F200131000P	Door Hinge Shim Kit	
15	F190216P	Door Hinge	
16	F430215	Nut	
17	F602813-3	Rod	
18	F150271	Door Mount	
19	F431022	Nut	
20	F431113	Washer	
21	F340703	Magnet	
22	F430916	Screw	
23	F431100	Washer	
24	F431026	Nut	
25	F320102	Door Retainer Spinning	
26	F170115	Door Glass Gasket	
27	F290210P	Glass	
28	F230661	Push Red Button Decal	
29	F608782-2	Door Weldment	
	F608783-1	Door Assembly	Coin models; Includes items 1-13, 15-18 and 23-29
	F608783-2	Door Assembly	OPL models; Includes items 1-13 and 15-29
30	F430974	Bolt	

Door Lock - OPL Models Through 4/21/02

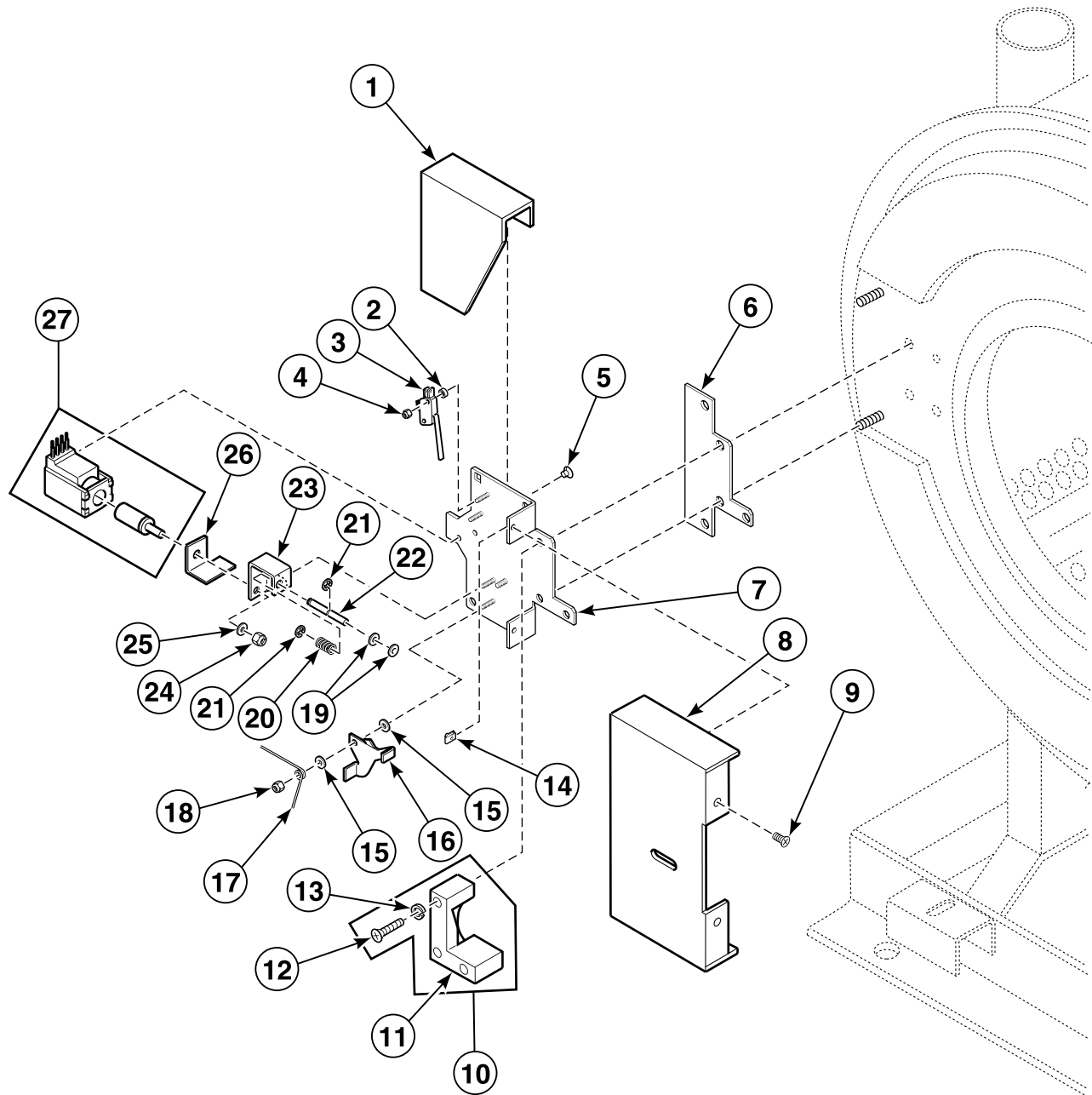


CHM2888P_F232153

Door Lock - OPL Models Through 4/21/02

REF	PART NO.	DESCRIPTION	COMMENTS
1	F603003	Door Lock Assembly Cover	
2	F430977	Screw	
3	F430225	Nut	
4	F340919	Door Lock Microswitch	
5	F431901	Spacer	
6	F430215	Nut	
7	F320200	Door Lock Splash Shield	
8	F8059701	Door Lock Plate Shim	Use as needed
9	F633734	Door Lock Plate Sub-Assembly	
10	F430956	Screw	
11	F430264	Nut	
12	F431902	Washer	
13	F605381	Door Lock Lever	
14	F310110	Door Lock Torsion Spring	
15	F431100	Washer	
16	F150261	Door Lock Catch Casting	
17	F430983	Screw	
18	F430925	Screw	
19	F602567	Door Lock Plate Cover	
20	F430232	Nut	
21	F605382	Pushbutton Stop	
22	685846	Nut	
23	F431123	Washer	
24	F300128P	Door Release Solenoid	120 Volt
	F0300131-00P	Door Lock Solenoid	220 Volt
25	F431903	Washer	

Door Lock - OPL Models Starting 4/22/02

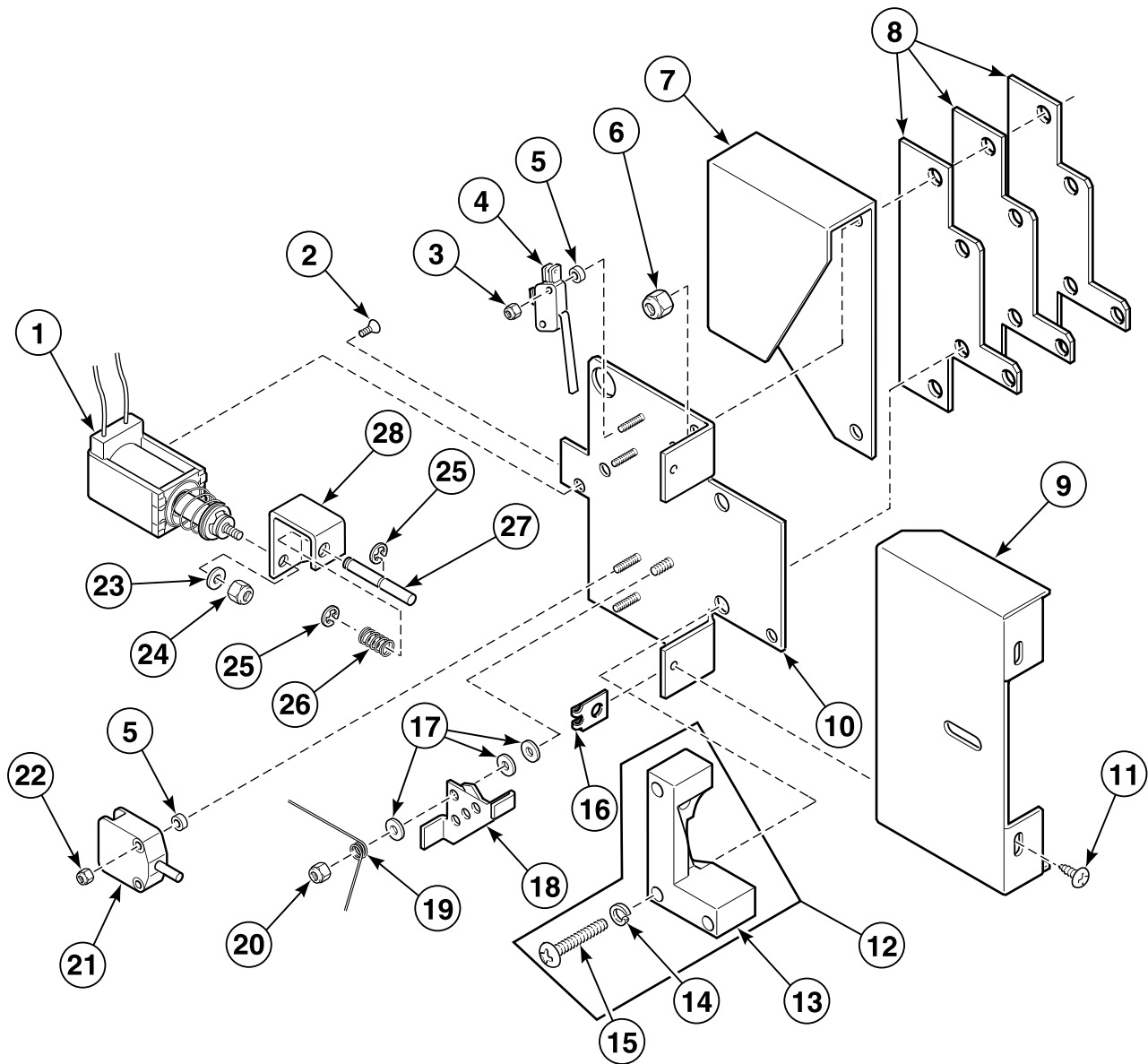


CHM2889P_F232153

Door Lock - OPL Models Starting 4/22/02

REF	PART NO.	DESCRIPTION	COMMENTS
	F0798839-00	Door Lock Kit	120 Volt; Includes items 2-5, 7 and 14-27
	F0798839-01	Door Lock Kit	220 Volt; Includes items 2-5, 7 and 14-27
1	F320200	Door Lock Splash Shield	
2	F431901	Spacer	
3	F200203200	Door Lock Microswitch	
4	F430225	Nut	
5	F430977	Screw	
6	F8059701	Door Lock Plate Shim	
7	F8066701	Door Lock Plate Assembly	
8	F603003	Door Lock Assembly Cover	
9	F430956	Screw	
10	F746808	L-Catch Kit	Includes items 11-13
11	F150261	Door Lock Catch Casting	
12	F430982	Screw	
13	F431100	Washer	
14	F430264	Nut	
15	F431902	Washer	
16	F0636636-00	Door Lock Switch Lever	
17	F310110	Door Lock Torsion Spring	
18	F430232	Nut	
19	F431147	Washer	
20	F310137	Door Lock Pin Release Spring	
21	F310205	E-Ring Retainer	
22	F431231	Door Locking Linkage Pin	
23	F150455	Door Lock Pin Linkage	
24	F431017	Nut	
25	F431123	Washer	
26	F0636103-00	Door Lock Retainer Latch	
27	F300128P	Door Release Solenoid	120 Volt
	F0300131-00P	Door Lock Solenoid	220 Volt

Door Lock - Coin and Card Models

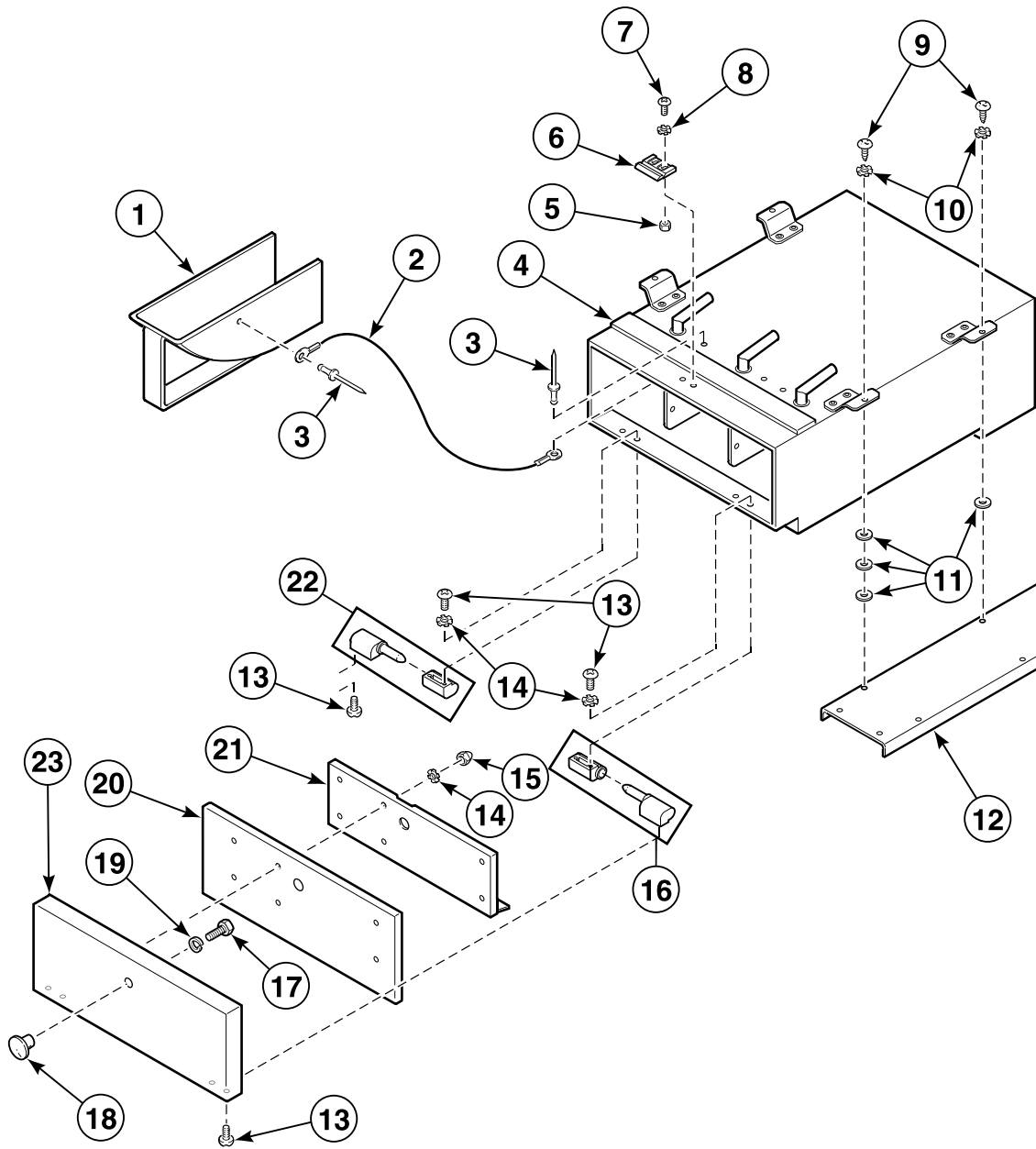


CHM2892P_F232153

Door Lock - Coin and Card Models

REF	PART NO.	DESCRIPTION	COMMENTS
	F0636698-01P	Door Lock Assembly	Includes items 1-5, 10, 16-28 and F0631986-02 Door Lock Wiring Harness; Standard models
	F0636698-03	Door Lock Assembly	Includes items 1-5, 10, 16-28 and F0631986-03 Door Lock Wiring Harness; Models with heat
1	F300124P	Solenoid	4 wire; Models HC80VCV and HC80VXV; Includes harness
	F300125P	Solenoid	2 wire; All other models
2	F430977	Screw	
3	F430225	Nut	
4	F200203200	Door Lock Microswitch	
5	F431901	Spacer	
6	F430215	Nut	
7	F320200	Door Lock Splash Shield	
8	F8059701	Door Lock Plate Shim	
9	F603003	Door Lock Assembly Cover	
10	F633084	Door Lock Plate Sub-Assembly	
11	F430956	Screw	
12	F746808	L-Catch Kit	Includes items 13-15
13	F150261	Door Lock Catch Casting	
14	F431100	Washer	
15	F430982	Screw	
16	F430264	Nut	
17	F431902	Washer	
18	F605381	Door Lock Lever	
19	F310110	Door Lock Torsion Spring	
20	F430232	Nut	
21	F340200	Door Switch	
22	F430231	Nut	
23	F431123	Washer	
24	F431017	Nut	
25	F310205	E-Ring Retainer	
26	F310137	Door Lock Pin Release Spring	
27	F431231	Door Locking Linkage Pin	
28	F150455	Door Lock Pin Linkage	

Supply Dispenser - Old Style



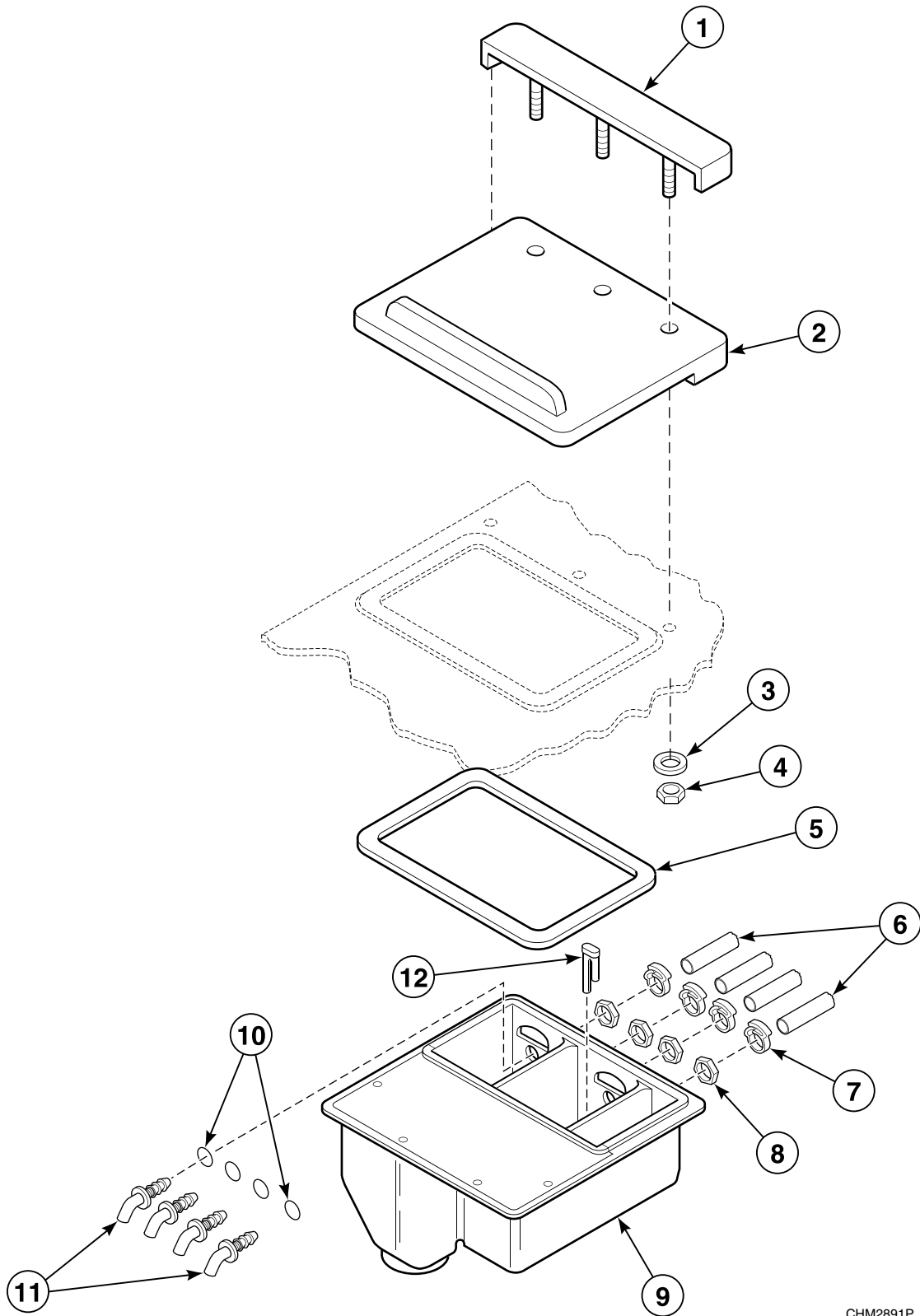
CHM2090P_F232153

Supply Dispenser - Old Style

REF	PART NO.	DESCRIPTION	COMMENTS
1	F150369	Supply Dispenser Cup	Large
	F150368	Supply Dispenser Cup	Small
2	N/A	Lanyard	
3	F431223	Pop Rivet	
4	F608800-1	Supply Dispenser Assembly	Coin and card models
	F608271-2	Supply Dispenser Sub-Assembly	OPL models
5	F430231	Nut	
6	F432223	Supply Dispenser Lid Latch	
7	F430928	Screw	
8	F431113	Washer	
9	F430174	Screw	
10	F431123	Washer	
11	F431125	Washer	
12	F608282	Supply Dispenser Mounting Bracket	
13	F432229	Screw	
14	F431106	Washer	
15	F431037	Nut	
16	F190205P	Lift-Off Hinge	Right
17	F430907	Screw	
18	F190101	Push-Pull Knob	
19	F431137	Washer	
20	F608705	Supply Dispenser Cover Gasket	
21	F608703	Gasket Retaining Plate	
22	F190202P	Lift-Off Hinge	Left
23	F749803	Supply Dispenser Cover Kit	Includes items 13, 14, 16 and 22

N/A = Part no longer available

Supply Dispenser - New Style

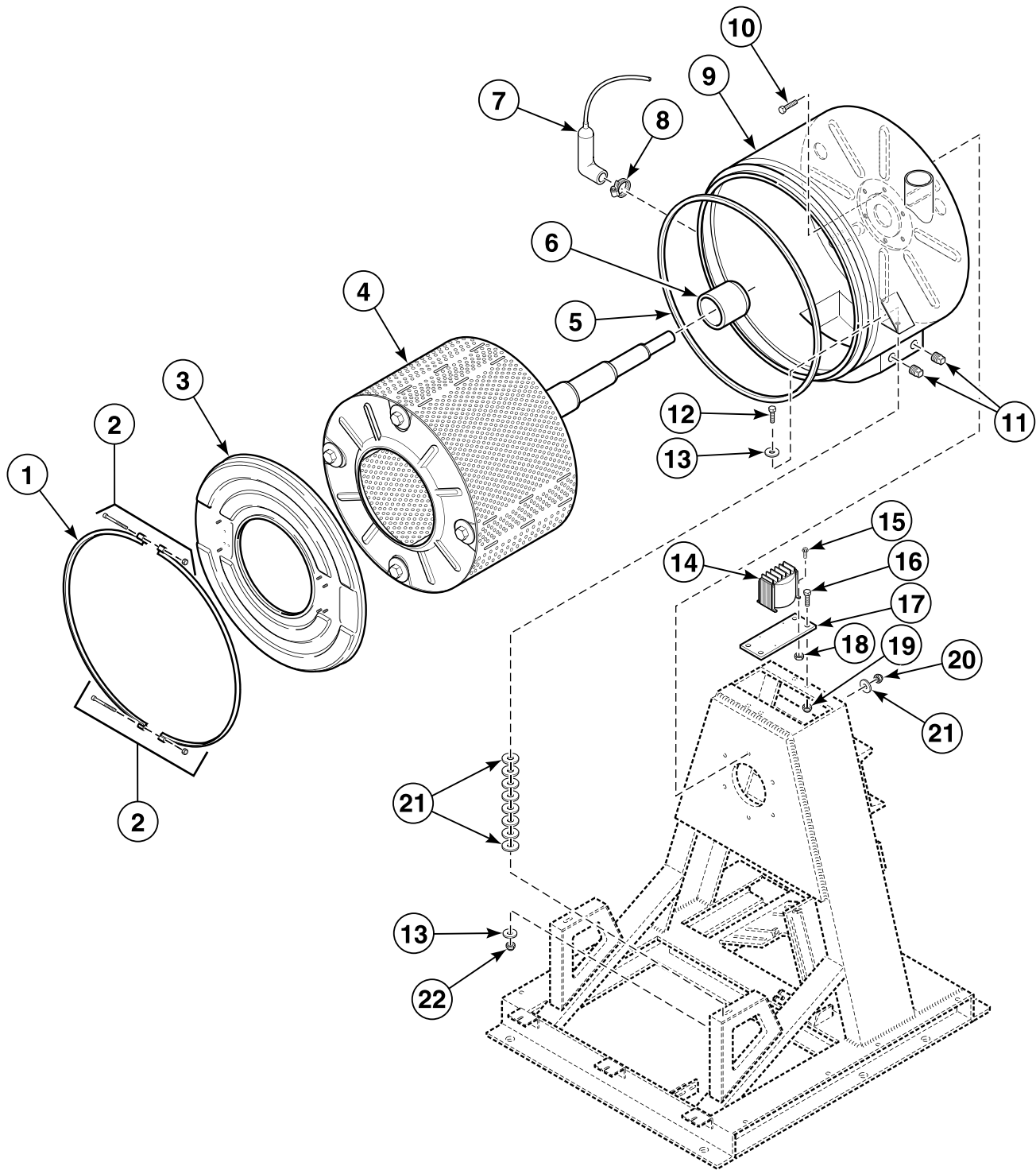


CHM2891P_F232153

Supply Dispenser - New Style

REF	PART NO.	DESCRIPTION	COMMENTS
1	F630430	Lid Clamp Assembly	
2	F200270500	Supply Dispenser Lid	
3	F431147	Washer	
4	F431024	Nut	
5	F170170	Supply Dispenser Gasket	
6	F200168P	Tubing	
7	F200206	Hose Clamp	
8	802292	Nut	
9	F602374-3P	Supply Dispenser	Models HC80VNV, SC80VNV and UC80VNV
	F200202210	Supply Dispenser Assembly	All other models
10	F170208	O-Ring	
11	F8322001	Injection Nozzle	
	F730168	Injection Nozzle Kit	Includes items 8 and 10
12	F150390	Siphon Tube	

Basket and Shell



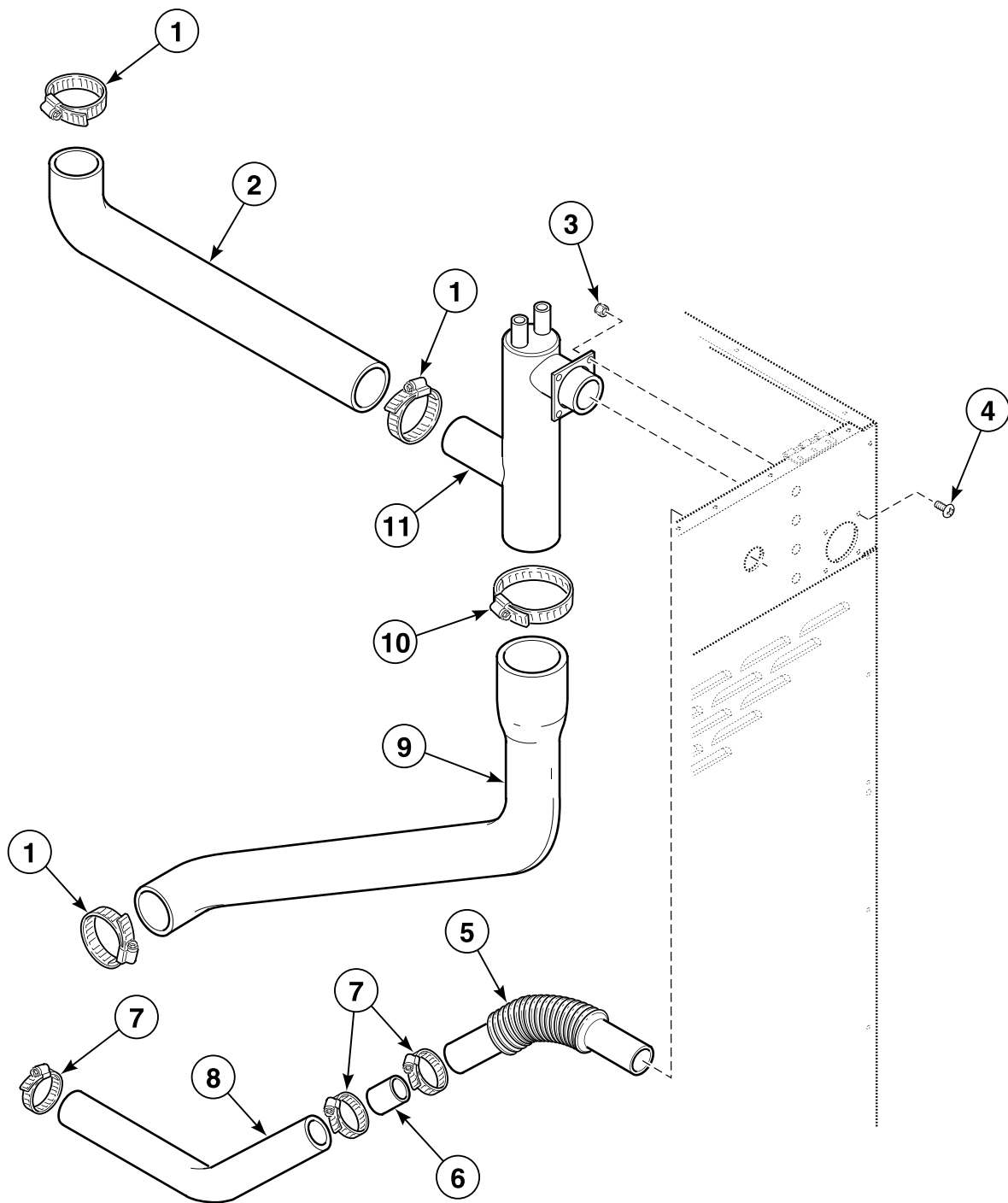
CHM2648P_F232153

Basket and Shell

REF	PART NO.	DESCRIPTION	COMMENTS
1	F0798852-00	Shell Band Kit	Includes item 2
2	F791001	Shell Band Fastener Kit	Includes F430215 Nut, F430313 Washer and F430518 Screw
3	F603988P	Shell Front Assembly	
4	F603949	Basket Assembly	Includes item 6; 36 inch diameter, 22 inch depth
5	F792000	Shell Front Gasket Kit	
6	F8312007P	Shaft Seal Sleeve	
7	F200142	Air Trap Hose	
8	800803	Hose Clamp	No. 12
9	F634696	Shell Weldment	Standard models; Models through 10/7/99
	N/A	Shell	Standard models; Models starting 10/8/99
	F603959	Shell Weldment	Heat models; Models through 10/7/99
	N/A	Shell	Heat models; Models starting 10/8/99
10	F430947	Screw	
11	F421507	Plug	
12	F430144	Screw	
13	M400081	Washer	
14	C000203	Transformer	Models HC80VCV, HC80VNV, HC80VXV, SC80VNV and UC80VNV
15	F430107	Screw	Models HC80VCV, HC80VNV, HC80VXV, SC80VNV and UC80VNV
16	N/A	Screw	
17	F632745	Transformer Mounting Plate	Models HC80VCV, HC80VNV, HC80VXV, SC80VNV and UC80VNV
18	F431017	Nut	
19	F430215	Nut	Models HC80VCV, HC80VNV, HC80VXV, SC80VNV and UC80VNV
20	F430201	Nut	
21	F430325	Washer	
22	F430218	Nut	

N/A = Part no longer available

Vacuum Breaker and Hoses with Old Style Vacuum Breaker



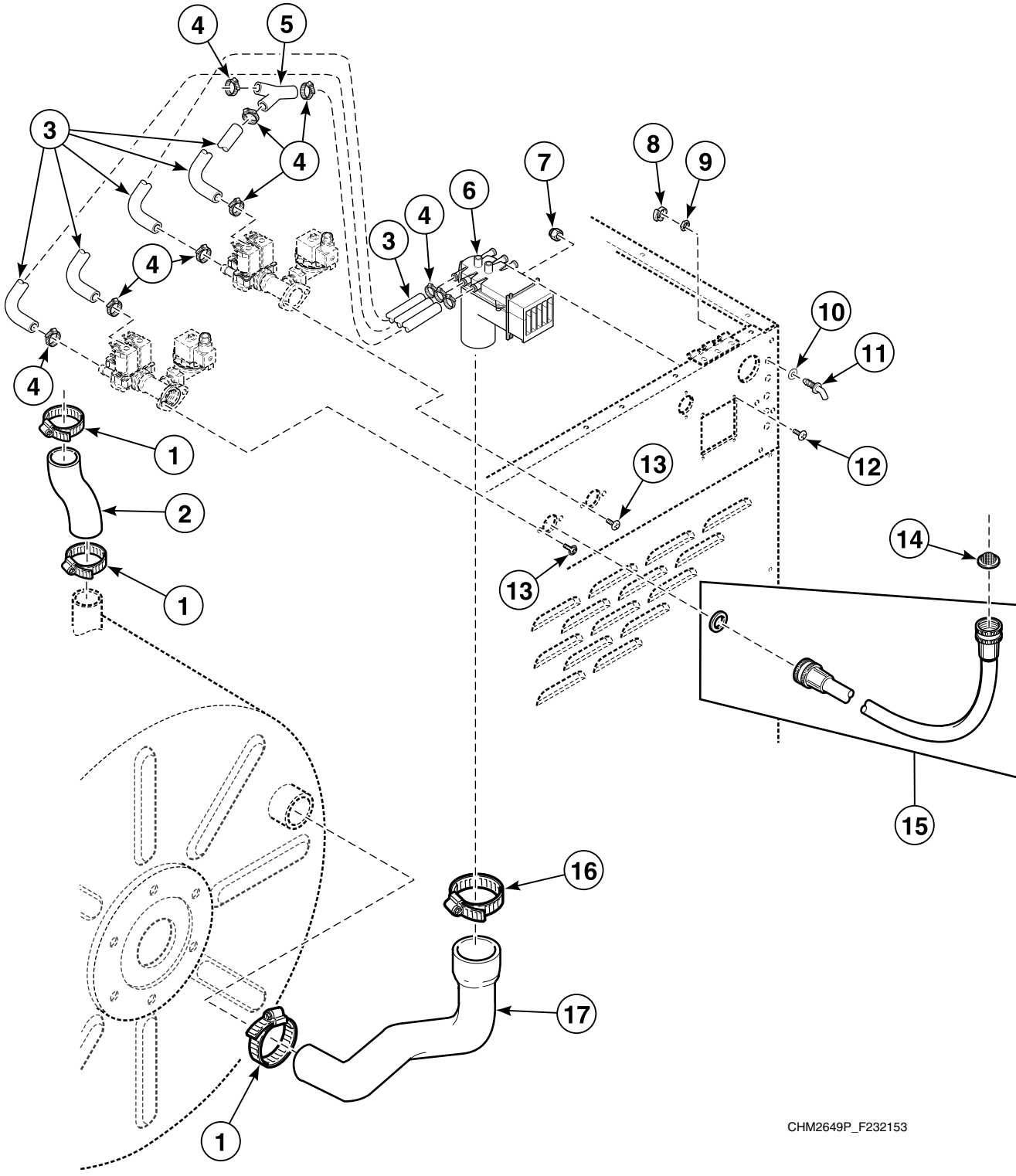
CHM2092P_F232153

Vacuum Breaker and Hoses with Old Style Vacuum Breaker

REF	PART NO.	DESCRIPTION	COMMENTS
1	F200213	Hose Clamp	No. 40
2	F150413	Top Fill Hose	
3	F430231	Nut	
4	F430928	Screw	
5	F200170	Vent Hose	
6	F608237	Pipe	
7	F200415	Hose Clamp	No. 36
8	F150317	Overflow Hose	
9	F150414	Bottom Fill Hose	
10	N/A	Hose Clamp	No. 48
11	F608347	Vacuum Breaker Weldment	Models through 10/7/99

N/A = Part no longer available

Vacuum Breaker and Hoses with New Style Vacuum Breaker



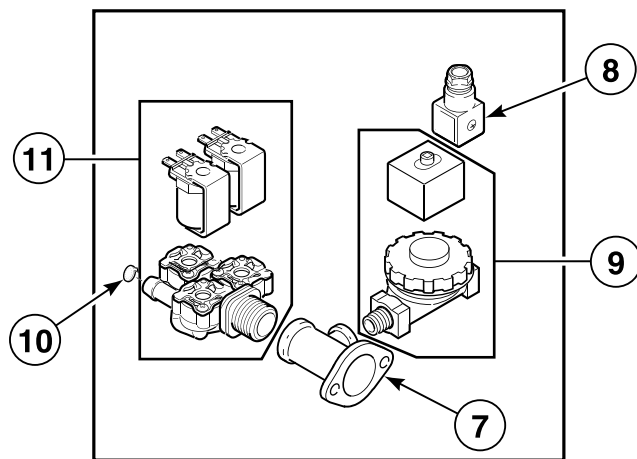
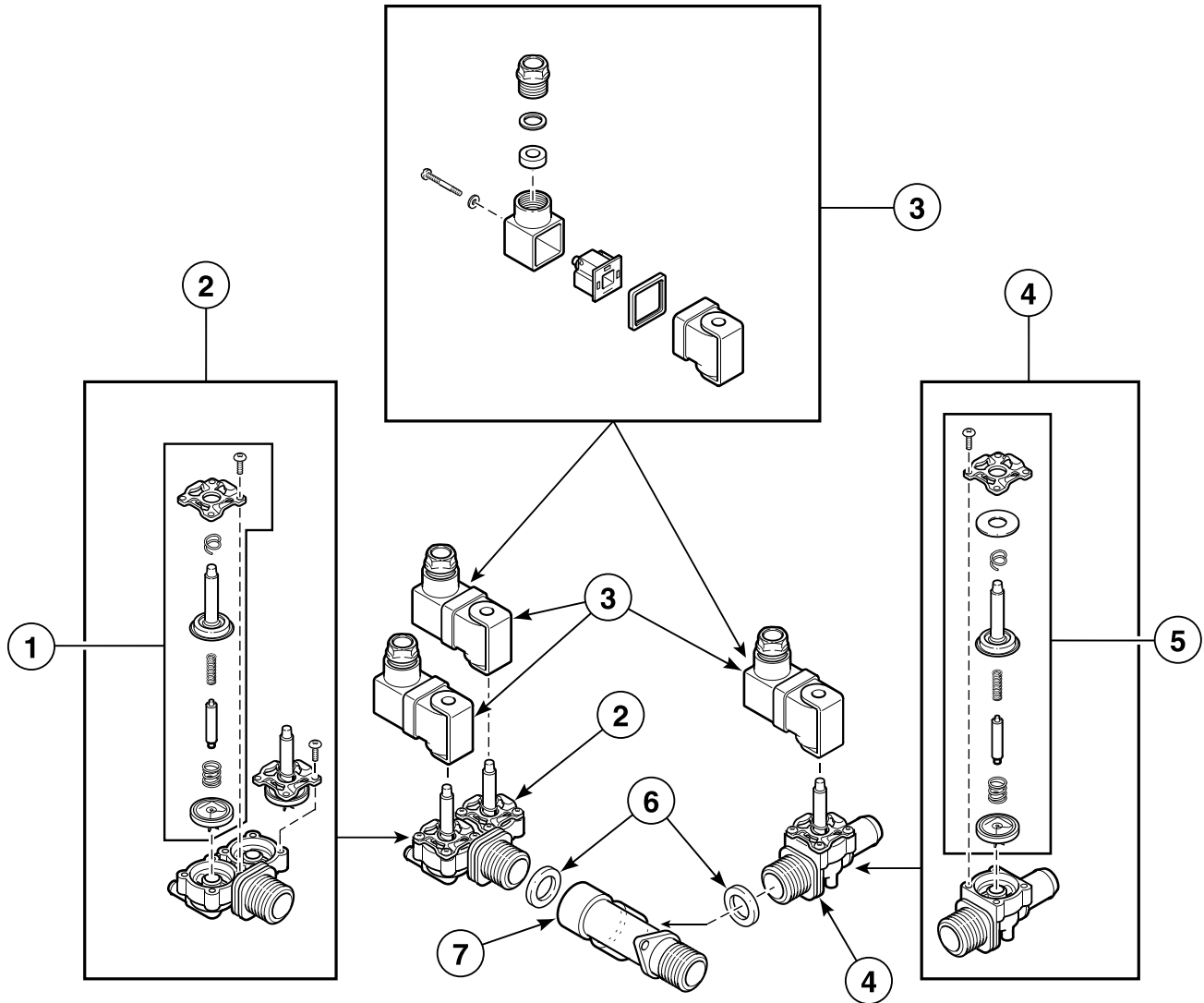
CHM2649P_F232153

Vacuum Breaker and Hoses with New Style Vacuum Breaker

REF	PART NO.	DESCRIPTION	COMMENTS
1	F200213	Hose Clamp	No. 40
2	F150493	Supply Dispenser Hose	
3	F200108P	Water Hose	
4	36801	Hose Clamp	No. 6
5	F422808	Y Connector	
6	F603031	Vacuum Breaker Assembly	Models starting 10/7/99
7	F430231	Nut	
8	F200206	Hose Clamp	
9	802292	Nut	
10	F170208	O-Ring	
11	F380300	Injection Nozzle	
12	F430928	Screw	
13	F430929	Screw	
14	28605	Washer	
15	F200116	Water Hose	3/8 inch; Standard thread
	F200164	Water Hose	3/4 inch; Standard thread
	F200165	Water Hose	1/2 inch; Metric thread
	F200166	Water Hose	3/4 inch; Metric thread
16	N/A	Hose Clamp	No. 48
17	F150492	Rear Fill Hose	

N/A = Part no longer available

Water Inlet Valves



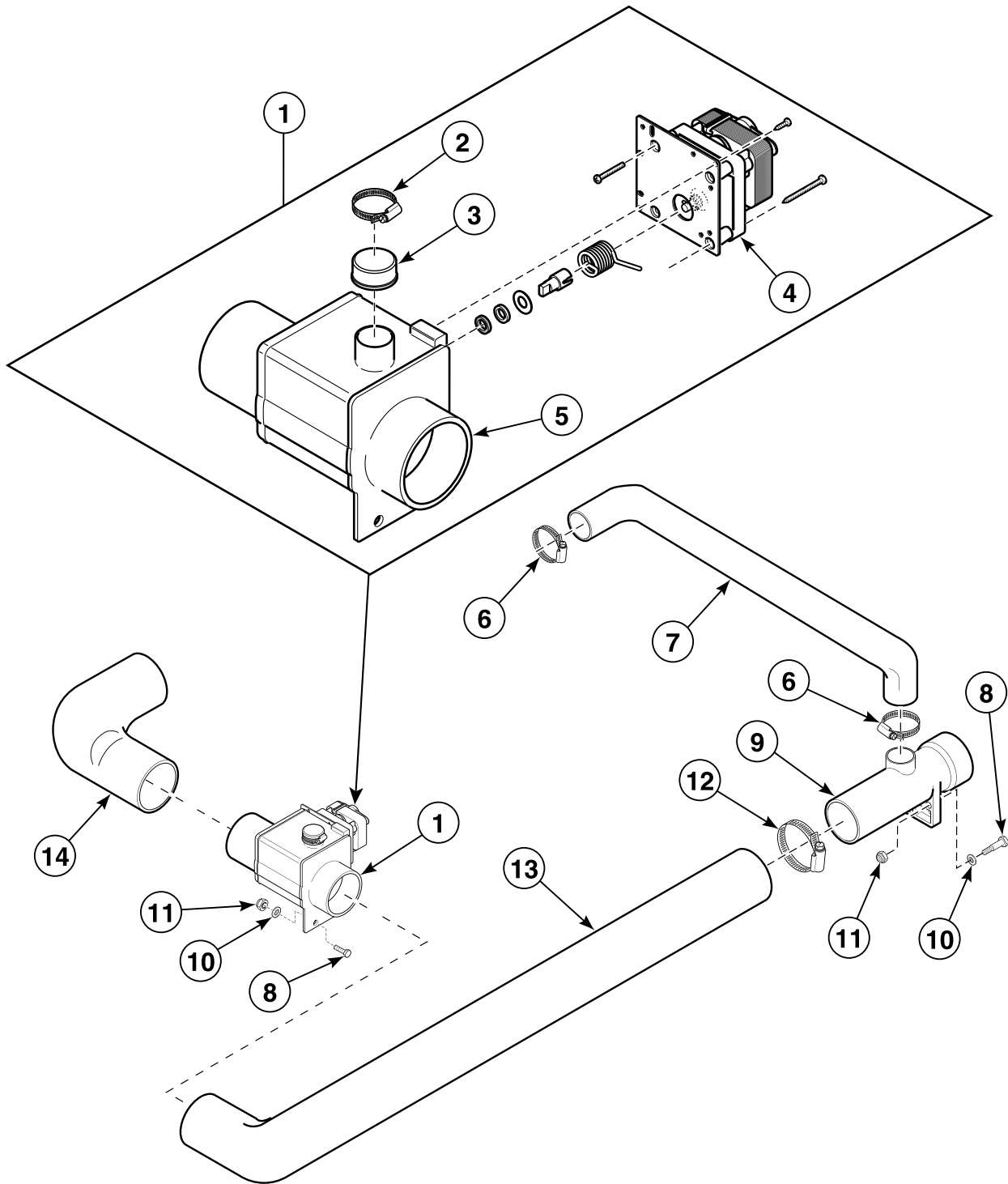
CHM3099P_F232153

Water Inlet Valves

REF	PART NO.	DESCRIPTION	COMMENTS
1	N/A	Valve Repair Kit	
2	F380790	2-Way Valve	24 Volt; Includes item 1
	F380952P	2-Way Valve	120 Volt; Includes item 1
3	F380983P	Coil	24 Volt
	F380900	Coil	120 Volt
4	N/A	1-Way Valve	24 Volt; Includes item 5
	F380953P	1-Way Valve	120 Volt; Includes item 5
5	F380939	Valve Repair Kit	
6	20290	Washer	
7	F150246	Water Connection Inlet Manifold	Hose thread
	F150247	Water Connection Inlet Manifold	Metric thread
8	F140609P	DIN Connector	
9	F381702P	Valve	120 Volt; Parker
	F381732P	1-Way Valve	Model SC80NCV; 240 Volt; Parker
10	F380119	Flow Restrictor	Use with F381721P 2-Way Valve
11	F381721P	2-Way Valve	24 Volt; Elbi
	F381722P	2-Way Valve	120 Volt; Elbi

N/A = Part no longer available

Drain

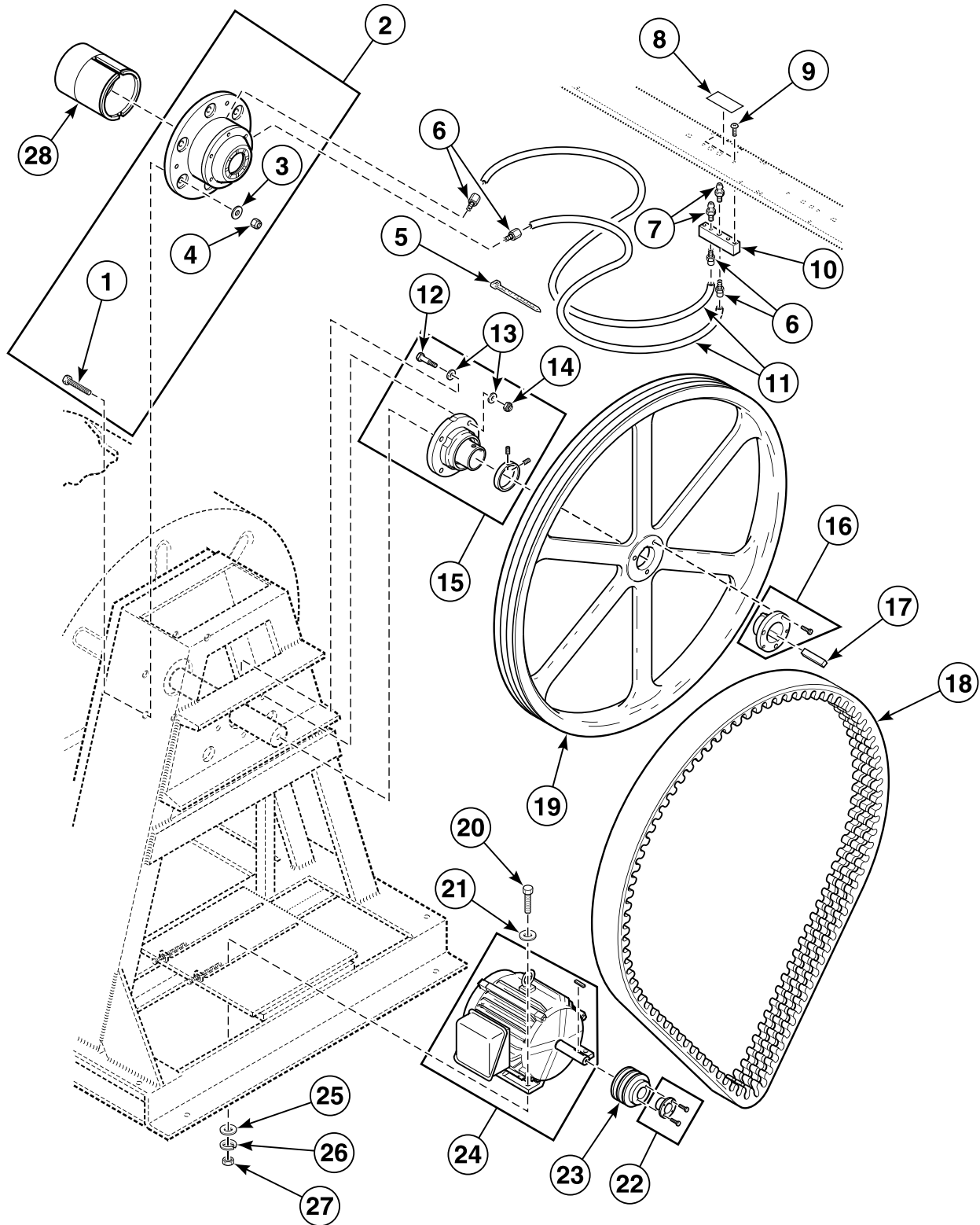


U010PE3D_F232153

Drain

REF	PART NO.	DESCRIPTION	COMMENTS
1	F200166300	Drain Valve Kit	Includes items 2-4
2	F200215	Hose Clamp	No. 28
3	F150352	Overflow Plug	
4	F380943P	Drain Motor	120 Volt; Keyed shaft
	G159764P	Drain Valve Motor and Gear Box Assembly	220 Volt; Keyed shaft
5	F038062800	Drain Valve	120 Volt; Models HC80VCV, HC80VNV, HC80VXV, SC80VNV and UC80VNV
	F038062900	Drain Valve	220 Volt; All other models
6	F200213	Hose Clamp	No. 40
7	F150401	Overflow Hose	
8	F430103	Screw	
9	F150398	Drain Tee	
10	F430317	Washer	
11	F430215	Nut	
12	N/A	Hose Clamp	No. 48
13	F0150399-00	Rear Drain Hose	Rear
14	F150400	Drain Hose	Front

Motor, Pulley, Belts and Bearings

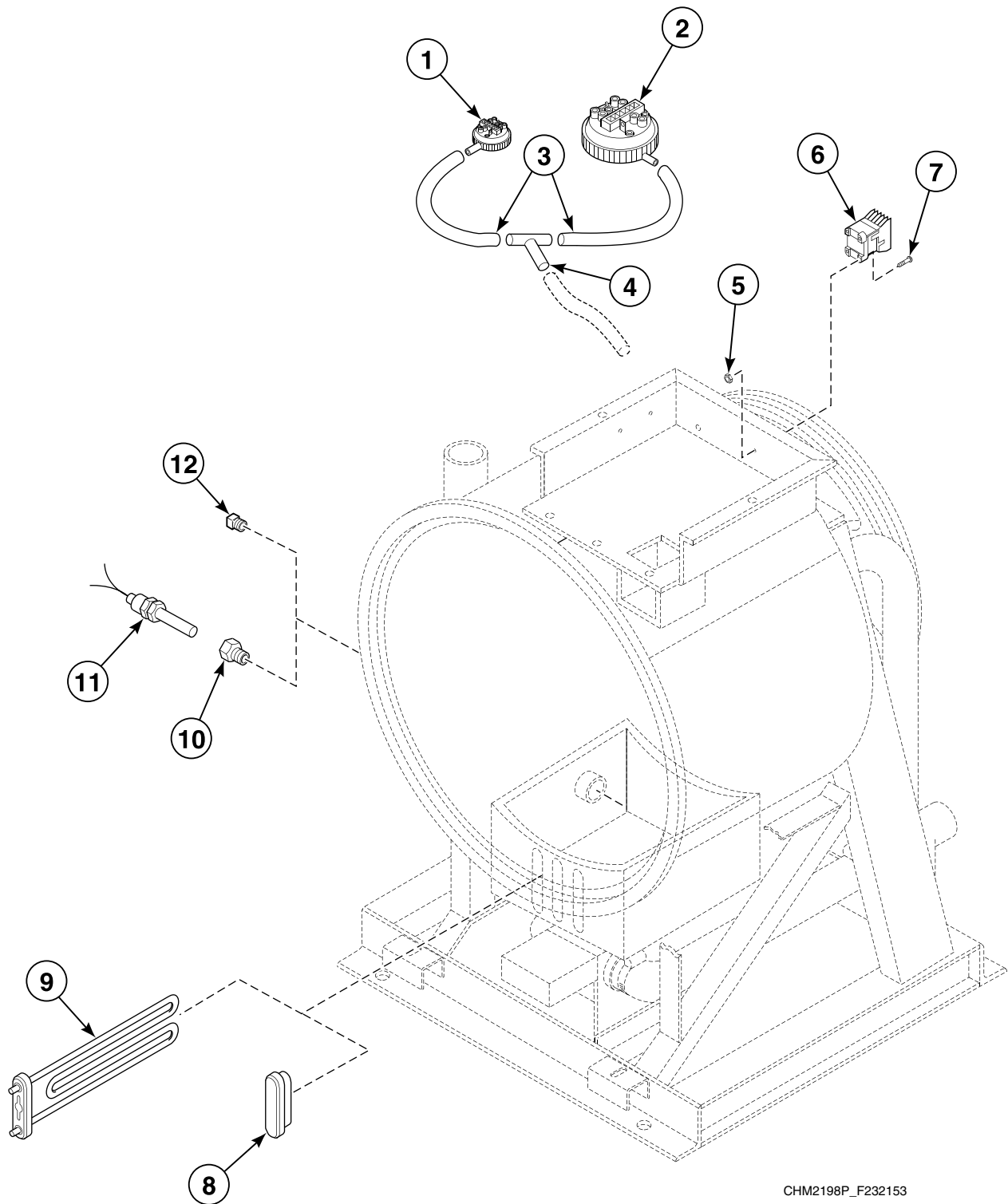


CHM2890P_F232153

Motor, Pulley, Belts and Bearings

REF	PART NO.	DESCRIPTION	COMMENTS
1	F430947	Screw	
2	F745015-1	Front Bearing Kit	Includes items 1, 3, 4 and 28
3	F430325	Washer	
4	F430201	Nut	
5	F140605	Cable Tie	
6	J1408004	Connector	
7	F190701	Grease Fitting	
8	F231078	Lubrication Instruction Decal	
9	F430925	Screw	
10	F320326	Grease Manifold	
	F761900	Grease Manifold Kit	Includes items 6, 7, 9, 11 and F231064 Lube Instruction Decal
11	C000628P	Tubing	
12	F430185	Screw	
13	F430339	Washer	
14	F430239	Nut	
15	F745016-1	Rear Bearing Kit	Includes items 12-14
16	F280290	Basket Pulley Bushing	Includes screws
17	F608824-1	Key	
18	F200140300P	Belt	
19	F150268	Basket Pulley	
20	F430993	Screw	
21	M400081	Washer	
22	F280211P	Motor Pulley Bushing	Includes screws
23	F280289P	Drive Motor Pulley	
24	F220236P	Motor	Includes key; Replaces motors F220214U, F220214M and F220236; AC drive parameters must be compatible with the motor and motor pulley. Please request the AC drive parameter illustration for parameter verification when ordering a motor
25	F430300	Washer	
26	M400014	Washer	
27	20274	Nut	
28	F100307	Bearing Adapter Sleeve	

Electric Heat Option

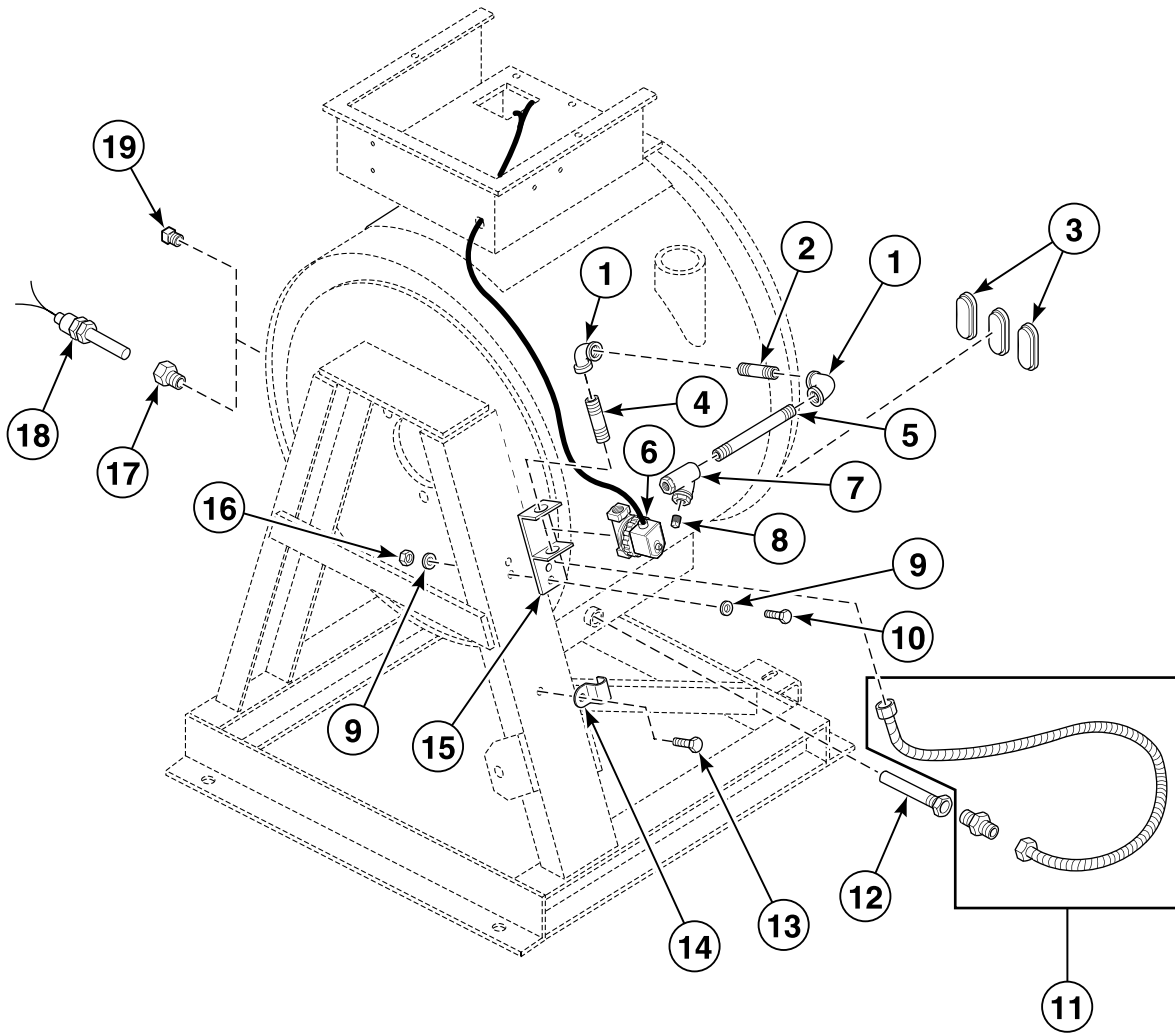


CHM2198P_F232153

Electric Heat Option

REF	PART NO.	DESCRIPTION	COMMENTS
1	F8223001P	Water Pressure Switch	Models HC80VCV, HC80VNV, HC80VXV, SC80VNV and UC80VNV
2	F0340351-10P	Water Level Switch	Heat safety
3	F422404P	Tubing	
4	F422806	Tee	
5	F430231	Nut	
6	F330163	Contactora	C30; 24 Volt; Q-voltage; Models HC80NCV, NC80NPV, SC80NCV, SC80NPV, SC80NRV and SC80NXV
	F330180P	Contactora	C30; 120 Volt; Q-voltage; All other models
	F330175P	Contactora	C16; 120 Volt; N and P-voltage
7	F430917	Screw	
8	F360202	Heating Element Plug	
9	F360205P	Element	2.6 kW; 12 used
10	F421936	Reducer Bushing	
11	F370606P	Temperature Probe	Models HC80VCV, HC80VNV, HC80VXV, SC80VNV and UC80VNV
	F370609	Thermistor Sensor	Models HC80NCV, NC80NPV, SC80ECV, SC80EPV, SC80EXV, SC80NCV, SC80NPV, SC80NRV and SC80NXV
12	F421507	Plug	

Steam Heat Option - VC, VN and VX Models



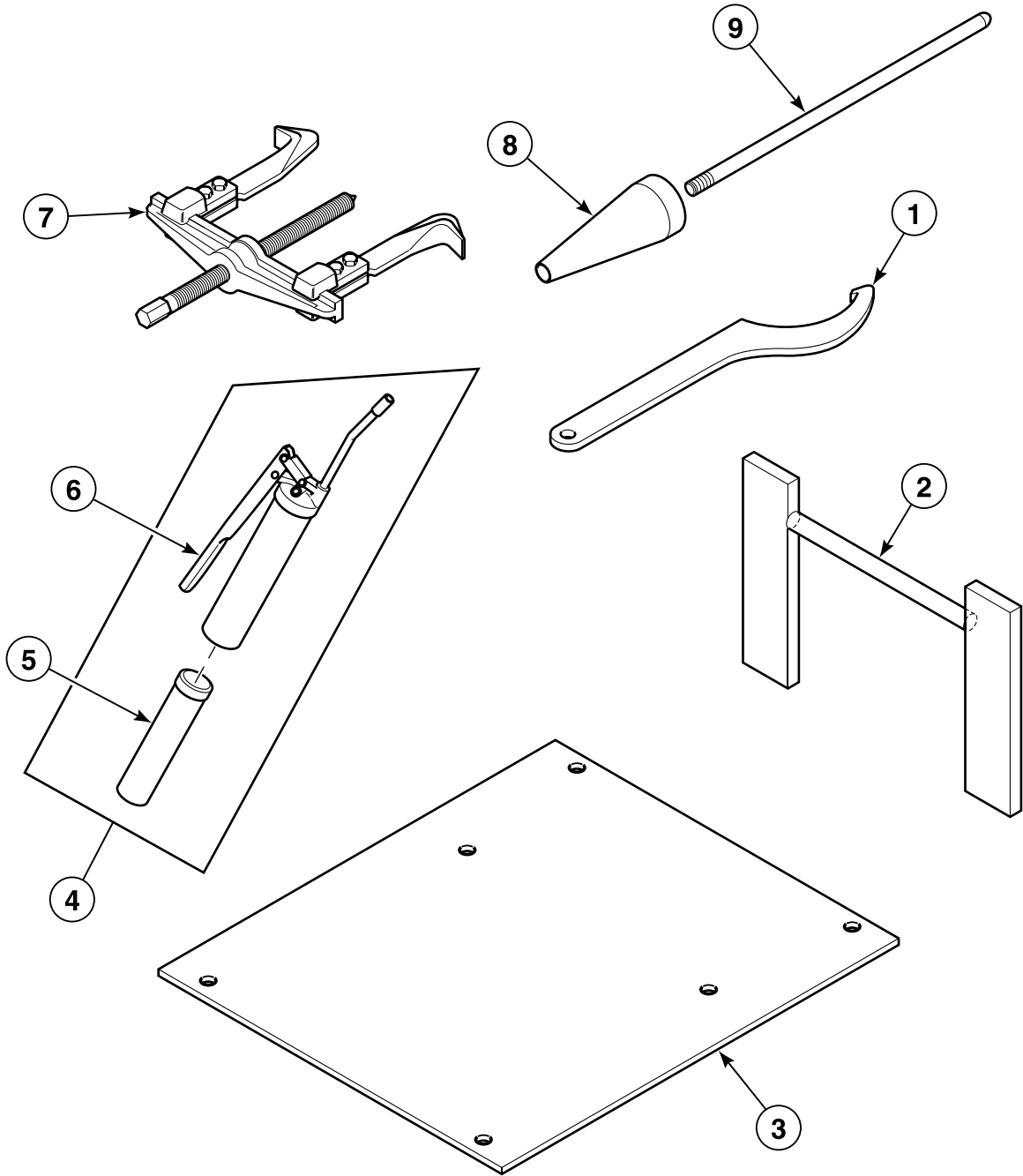
CHM2199P_F232153

Steam Heat Option - VC, VN and VX Models

REF	PART NO.	DESCRIPTION	COMMENTS
1	70079601	Elbow	
2	F420710	Nipple	
3	F360202	Heating Element Plug	
4	F420709	Nipple	
5	F420718	Nipple	
6	F380786P	Steam Valve	120 Volt
	F380984P	Steam Valve Repair Kit	
7	F270307	Steam Filter	
8	F420409	Plug	
9	F430317	Washer	
10	F430108	Screw	
11	F200153P	Steam Hose	
12	F603131	Steam Injector Tube Assembly	
13	F430115	Screw	
14	N/A	Cable Strap	
15	F601186	Steam Bracket Assembly	
16	F430215	Nut	
17	F421936	Reducer Bushing	
18	F370606P	Temperature Probe	
19	F421507	Plug	

N/A = Part no longer available

Special Tools



CHM2997P_F232153

Special Tools

REF	PART NO.	DESCRIPTION	COMMENTS
1	F703654	Locknut Spanner Wrench	
2	F460131	Basket Pulley Puller Tool	
3	F609692	Bolt Layout Mounting Template	
4	F798700	Grease Gun Kit	Includes items 5 and 6
5	F210206P	Bearing Grease	
6	F210207P	Grease Gun	
7	F460129	Bearing Puller Tool	
8	399P4	Cone	
9	401P4	Basket Installation Tool Rod	

Parts Index

A

AC Drive Radio Filter Assembly F200320900	15, 17, 21, 23, 27, 29
Access Transformer Harness F200008700	41
Air Trap Hose F200142	69

B

Basket Assembly F603949	69
Basket Installation Tool Rod 401P4	85
Basket Pulley F150268	79
Basket Pulley Bushing F280290	79
Basket Pulley Puller Tool F460131	85
Battery F191101	13, 19
Battery Adapter Board F370529P	13, 19
Battery Backup Wire Harness F140249	13, 19
Bearing Adapter Sleeve F100307	79
Bearing Grease F210206P	85
Bearing Puller Tool F460129	85
Belt F200140300P	79
Blind Rivet J1111905	49
Bolt F430974	57
Bolt Layout Mounting Template F609692	85
Bottom Fill Hose F150414	71
Bridge Rectifier F370310	19

C

Cable Tie F140605	13, 19, 79
Capacitor F370225P	13
Capacitor Mounting Clamp F140612P	13
Card Reader 39685P	43
512473	45

Card Reader and Bracket Assembly 510068P	43
Card Reader Assembly F200019900	43
F200019901	43
Card Reader Harness F141887	43
F141889	43
Card Reader Harness Assembly F141895	43
Card Reader Kit F878P3	45
F884P3	45
F886P3	45
Cardmate Plus Assembly F200023500	43
F200023502	43
Cardmate Plus Decal F231384-1	43
Clip F601515	25
Coil F380900	75
F380983P	75
Coin Drop 38479P	37
70256402P	39
Coin Drop Assembly 210195	39
210196	39
38462P	37
38463	37
38464P	37
38472	39
38521	39
39157	39
70281102	39
Coin Guide Assembly F200002500P	33
F200002501P	35
F200002502P	33
F200002503	13, 35
F200002504P	27, 37
F200002505	27, 39, 41
F632084	13
Coin Identification Paper 38725	37, 41
Coin Meter F0160737-00	39
Coin Meter Assembly F200003800P	33
F200003801	33
F200003802P	33
F200003803	33
F200003804P	33
F200003805	33
F200003806P	33
F200003807	33
F200003808	33
F200003809	33
F200003810	33
F200003811	33
F200003812	33

N/A items do not appear in index.

F200005200	35
F200005201	35
F200005202	35
F200005203	35
F200005204	35
F200005205	35
F200005206	35
F200005207	35
F200005208	35
F200005209	35
F200005210	35
F200005211	35
F200005212	35
F20001000P	37
F200010001	39
F200010002	39
F200010003	39
F200010004	39
F200010005	39
F200010006	37
F200010007	37
F200010008	39
F200010009	37
F200010010	39
F200010011	37
F200021600	41
F200021601	41
F200021602	41
F200021603	41
F200021604	41
Coin Meter Blocking Coil	
F160466P	33, 35
F160467	33, 35
Coin Meter Decal	
F0231595-00	35
Coin Meter Insert	
F608925	33, 35
Coin Meter Insert Decal	
F231010	33
Coin Meter Solenoid	
F160713P	33, 35
Communication Board	
210095P	31
Communication Connector	
210099	31
Conductor Decal	
F231146	11
Cone	
399P4	85
Connector	
F140562	19
J1408004	79
Contactors	
F330163	81
F330175P	81
F330180P	81
Control Assembly	
F160200P	31
Control Box Assembly	
F0635628-01	13, 27
F633380-1	13
F633380-3	19
F633380-4	19
Control Decal	
F231524-1	51
F231524-2	51

Control Module Cover	
F634175	13
Control Panel	
F150476	49
F150477	49
Control Panel Assembly	
F634832-1	51
F634832-2	53
F635349	51
Control Panel Decal	
F0231440-00	51
F231471	49, 53
F231494	49, 53
F231524-3	51
F231549	53
Cooling Fan Filter Slide	
F633321	47
Counterclockwise Spin Rotation Decal	
F230693	11
Cover	
F140423	19

D

DIN Connector	
F140609P	75
Disconnect Power Warning Label	
505281	11, 13, 19
Do Not Lift Decal	
F230216	11
Door Assembly	
F608783-1	57
F608783-2	57
Door Bezel	
F170419-1	51, 53
F170419-2	51, 53
Door Bumper Bushing	
F430416	55
Door Gasket	
F170164	57
Door Glass Gasket	
F170115	57
Door Handle	
F150225	57
Door Handle Kit	
F730155	57
Door Hinge	
F190216P	57
Door Hinge Shim Kit	
F200131000P	57
Door Lock Assembly	
F0636698-01P	63
F0636698-03	63
Door Lock Assembly Cover	
F603003	59, 61, 63
Door Lock Catch Casting	
F150261	59, 61, 63
Door Lock CCA	
F0632387-01P	13
Door Lock Control CCA	
F370432P	27
Door Lock Kit	
F0798839-00	61

N/A items do not appear in index.

F0798839-01.....	61
Door Lock Lever F605381.....	59, 63
Door Lock Microswitch F200203200..... F340919.....	61, 63 59
Door Lock Pin Linkage F150455.....	61, 63
Door Lock Pin Release Spring F310137.....	61, 63
Door Lock Plate Assembly F8066701.....	61
Door Lock Plate Cover F602567.....	59
Door Lock Plate Shim F8059701.....	59, 61, 63
Door Lock Plate Sub-Assembly F633084..... F633734.....	63 59
Door Lock Retainer Latch F0636103-00.....	61
Door Lock Solenoid F0300131-00P.....	59, 61
Door Lock Splash Shield F320200.....	59, 61, 63
Door Lock Spring F310125.....	57
Door Lock Switch Lever F0636636-00.....	61
Door Lock Time Delay F200025200P.....	13
Door Lock Torsion Spring F310110.....	59, 61, 63
Door Locking Linkage Pin F431231.....	61, 63
Door Mount F150271.....	57
Door Release Solenoid F300128P.....	59, 61
Door Retainer Spinning F320102.....	57
Door Spacer F0150273-00.....	57
Door Switch F340200.....	63
Door Warning Label 81968.....	11
Door Weldment F608782-2.....	57
Double-Coated Tape F410212.....	55
Drain Hose F150400.....	77
Drain Motor F380943P.....	77
Drain Tee F150398.....	77
Drain Valve F038062800..... F038062900.....	77 77
Drain Valve Kit F200166300.....	77

Drain Valve Motor and Gear Box Assembly G159764P.....	77
Drive Kit, 1305-Series to PowerFlex 40 F8255002..... F8255004..... F8255006..... F8255007..... F8255008..... F8255009..... F8255102..... F8255103.....	17 23 29 17 23 29 23 23
Drive Motor Pulley F280289P.....	79

E

Elbow 70079601.....	83
Electronic Coin Drop Assembly 70294101P..... 70294103P..... 70294104..... 70294105P..... 70294106..... 70294107..... 70294109.....	41 41 41 41 41 41 41
Electronic Coin Drop Kit CK100..... CK500.....	41 41
Element F360205P.....	81
E-Ring Retainer F310205.....	61, 63

F

Female Pin Terminal 00430.....	33, 35
Filter F0270321-00P.....	47
Filter Handle Decal F231377.....	47
Flange Relay F330227.....	13, 19, 25
Flow Restrictor F380119.....	75
Frame Assembly F633673.....	55
Front Bearing Kit F745015-1.....	79
Front Cabinet Brace F634804.....	51, 53
Front Panel F634688-2..... F634688-5..... F634818-5P..... F8200701P..... F8200702P.....	51 51 51, 53 51 51, 53
Front Panel Kit F757476..... F757480.....	49 49
Fuse F350108.....	13

N/A items do not appear in index.

F350109	13, 19
F350110	13, 19, 27
F350115	27
F350133	19
F350142	27
F350145	27
F350146	27
Fuse Holder	
F0350312-10	13, 19, 27
Fuse Terminal Mounting Bracket	
F633322	13, 19

G

Gasket	
F170401P	49
F170402P	51, 53, 55
Gasket Retaining Plate	
F608703	65
Glass	
F290210P	57
Grease Fitting	
F190701	79
Grease Gun	
F210207P	85
Grease Gun Kit	
F798700	85
Grease Manifold	
F320326	79
Grease Manifold Kit	
F761900	79
Grommet	
F170607	31
Ground Decal	
F230630	11
F230739	11

H

Harness	
F0637798-00	41
F631973-2	43
512500	45
512502	45
Heating Element Plug	
F360202	81, 83
Hose Clamp	
F200206	67, 73
F200213	71, 73, 77
F200215	77
F200415	71
36801	73
800803	69

I

Injection Nozzle	
F380300	73
F8322001	67
Injection Nozzle Kit	
F730168	67

Inner Front Panel	
F603989-4	49
Insulator Bushing	
F140909	13, 19, 27
Inverter Drive	
F370818	21
F370843	15, 21, 27
F370844	21

K

Key	
F160562	55
F608824-1	79
70155603	55
Keypad	
F370576P	25

L

L-Catch Kit	
F746808	61, 63
Lid Clamp Assembly	
F630430	55, 67
Lid Lock	
F190802P	55
F190805P	55
Lift-Off Hinge	
F190202P	65
F190205P	65
Light	
F350411	25
Liquid Supply Decal	
F230877	11
Locknut Spanner Wrench	
F703654	85
Logic Control Assembly	
F160203P	31
Lubrication Instruction Decal	
F231078	79

M

Magnet	
F340703	57
Magnetic Switch	
F0340723-00	49
Magnetic Switch Assembly	
F200321200	49
Male Connector	
F140571	33, 35
Membrane Switch	
F340605P	25
F340608P	25
F340614P	25
F340615P	25
F340616P	25
Microcomputer	
F370313-13P	25
F370313-50P	25
F370313-60P	25

N/A items do not appear in index.

Motor	
F220236P	79
Motor Pulley Bushing	
F280211P	79
Mounting Bracket Assembly	
F0636707-00.....	37
F635319.....	39, 41
F635320.....	43
Mounting Plate Assembly	
512506.....	45
Muffin Fan	
F110105.....	47
F110106.....	47

N

Network Board Assembly	
210016P.....	31
Network Board Harness	
F141886.....	31
Network Interface Control Mounting Bracket	
F634769.....	31
Network Interface Harness	
F141888-2.....	31
Nipple	
F420709.....	83
F420710.....	83
F420718.....	83
Nut	
F430201.....	69, 79
F430215.....	27, 43, 49, 55, 57, 59, 63, 69, 77, 83
F430218.....	69
F430225.....	59, 61, 63
F430231.....	13, 25, 27, 47, 55, 63, 65, 71, 73, 81
F430232.....	25, 31, 57, 59, 61, 63
F430239.....	79
F430243.....	33, 35
F430264.....	51, 53, 59, 61, 63
F431017.....	31, 43, 61, 63, 69
F431022.....	13, 19, 57
F431024.....	55, 67
F431026.....	57
F431037.....	65
F431041.....	57
20274.....	55, 79
685846.....	37, 39, 41, 43, 59
802292.....	67, 73

O

Optic Switch Kit	
F775801-03P	33, 35
Opto Coupler	
200674P.....	37, 39
O-Ring	
F170208.....	67, 73
Output Board VCMP Assembly	
F8206501P	13, 19
Output Relay CCA	
F370433P	27
Overflow Hose	
F150317.....	71
F150401.....	77

Overflow Plug	
F150352	77
Overlay	
F231402	49, 53
F231404	49, 53
70295101	41
70295301	41

P

Personal Injury Warning Decal	
F231065	11
Pipe	
F608237	71
Plug	
F420409	83
F421507	69, 81, 83
Pop Rivet	
F431210	13
F431215	27, 33, 35, 37, 39, 41
F431223	65
Power Supply	
512496	45
512497	45
Programming Card	
512499P.....	45
Push Red Button Decal	
F230661	11, 57
Pushbutton Rod	
F320300	57
Pushbutton Stop	
F605382	59
Push-Pull Knob	
F190101	65

R

RC Network Filter	
F330217P	19
Rear Bearing Kit	
F745016-1	79
Rear Drain Hose	
F0150399-00	77
Rear Fill Hose	
F150492	73
Rear Panel	
F603976	55
Red Dot Decal	
F230662	57
Reducer Bushing	
F421936	81, 83
Relay	
M412534	27
Remove Door Lock Tag	
F230528	11
Ribbon Cable	
F140216P.....	19
F140219P.....	25
F140247	13
Rivet	
F432005	31

N/A items do not appear in index.

Rocker Switch	
F340411	25
Rod	
F602813-3	57
<hr/>	
S	
Screw	
F430103	77
F430107	69
F430108	55, 83
F430115	83
F430144	69
F430174	13, 19, 43, 49, 51, 53, 55, 65
F430185	79
F430532	57
F430903	31
F430907	65
F430910	13
F430916	13, 19, 27, 57
F430917	81
F430923	55
F430925	49, 55, 59, 79
F430928	13, 19, 65, 71, 73
F430929	73
F430935	49
F430947	69, 79
F430956	51, 53, 59, 61, 63
F430976	57
F430977	59, 61, 63
F430982	13, 61, 63
F430983	59
F430986	49
F430993	79
F430996	27
F432229	65
800461	55
Shaft Seal Sleeve	
F8312007P	69
Shell Band Fastener Kit	
F791001	69
Shell Band Kit	
F0798852-00	69
Shell Front Assembly	
F603988P	69
Shell Front Gasket Kit	
F792000	69
Shell Weldment	
F603959	69
F634696	69
Side Panel	
F603969P	55
F633334	55
F634308	55
F634310	55
Siphon Tube	
F150390	67
Solenoid	
F300124P	63
F300125P	63
Spacer	
F431901	59, 61, 63
Sponge Rubber	
F170128	13, 19

Spring Pin	
F431222	57
Standoff	
F180501	13, 19, 27
F180506	13, 19, 27, 31
Steam Bracket Assembly	
F601186	83
Steam Filter	
F270307	83
Steam Hose	
F200153P	83
Steam Injector Tube Assembly	
F603131	83
Steam Valve	
F380786P	83
Steam Valve Repair Kit	
F380984P	83
Stud	
F390300	55
Supply Dispenser	
F602374-3P	67
Supply Dispenser Assembly	
F200202210	67
F608800-1	65
Supply Dispenser Cover Gasket	
F608705	65
Supply Dispenser Cover Kit	
F749803	65
Supply Dispenser Cup	
F150368	65
F150369	65
Supply Dispenser Gasket	
F170170	55, 67
Supply Dispenser Hose	
F150493	73
Supply Dispenser Lid	
F200270500	55, 67
Supply Dispenser Lid Latch	
F432223	65
Supply Dispenser Mounting Bracket	
F608282	65
Supply Dispenser Sub-Assembly	
F608271-2	65
Support	
F603947	55
Switch	
F340901	55
Switch Extension	
F340913	55
Switch Mounting Plate Sub-Assembly	
F633540	25
Switch Panel Decal	
F231381	25
F231449	25

T

Take-Apart Hinge	
F190203P	55
Tee	
F422806	81

Temperature Probe	
F370606P	81, 83
Terminal	
F140768	13, 19
Thermistor Sensor	
F370609	81
Thermostat	
F290115	13, 19
Top Brace	
F603972	55
Top Cover Assembly	
F635398	55
Top Cover Stiffener	
F603980	55
Top Fill Hose	
F150413	71
Transformer	
C000203	69
F0360170-00P	27
210019P	41
Transformer Mounting Plate	
F632745	69
Trim	
F015050100P	49, 51, 53
Tubing	
C000628P	79
F200168P	67
F422404P	81

V

Vacuum Breaker Assembly	
F603031	73
Vacuum Breaker Weldment	
F608347	71
Valve	
F381702P	75
Valve Panel Sub-Assembly	
F608797	55
Valve Repair Kit	
F380939	75
Valve, 1-Way	
F380953P	75
F381732P	75
Valve, 2-Way	
F380790	75
F380952P	75
F381721P	75
F381722P	75
Velcro	
F140639	47
Vent Hose	
F200170	71

W

Washer	
F430300	79
F430311	31, 43
F430317	55, 77, 83
F430325	69, 79
F430339	79

F431100	57, 59, 61, 63
F431103	55
F431106	65
F431113	13, 19, 57, 65
F431123	59, 61, 63, 65
F431125	65
F431137	27, 65
F431147	55, 61, 67
F431902	59, 61, 63
F431903	59
F431907	57
F431916	57
M400014	79
M400081	55, 69, 79
M405535	49
20290	75
28605	73
Water Connection Inlet Manifold	
F150246	75
F150247	75
Water Hose	
F200108P	73
F200116	73
F200164	73
F200165	73
F200166	73
Water Level Switch	
F0340351-10P	13, 19, 27, 81
Water Level Switch Bracket	
F631920	13, 19, 27
Water Pressure Switch	
F8223001P	81
Wire Harness	
F141867	43

Y

Y Connector	
F422808	73

N/A items do not appear in index.

