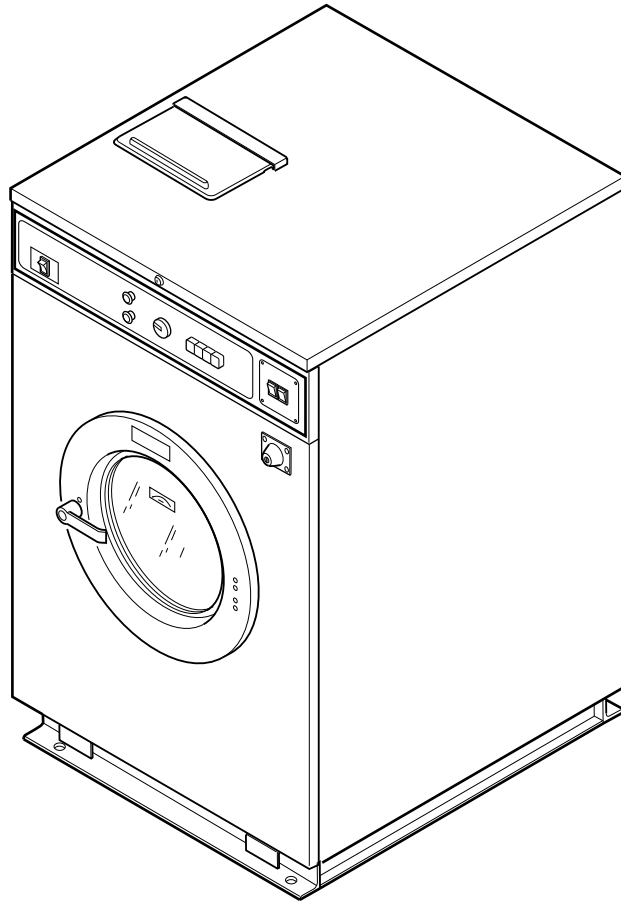


Washer-Extractor

Cabinet Hardmount
2 Speed Mechanical Timer Models
Refer to Page 5 for Model Numbers



CHM1624C_F232189

Table of Contents

Title	Page
Parts Ordering Information.....	3
Nameplate Location	3
Model Identification	5
Product Overview for A and B-Control.....	6
Product Overview for NetMaster, Mechanical Timer and P, S and V-Computer	8
Decals	10
Control Module - MN Models; Terminal Strip Style (Drawing 1 of 2)	12
Control Module - MN Models; Terminal Strip Style (Drawing 2 of 2)	14
Control Module - MD, ML, MX and MY Models; Wire Harness Style (Drawing 1 of 2)	16
Control Module - MD, ML, MX and MY Models; Wire Harness Style (Drawing 2 of 2)	18
Display Coin Meter Assembly - MD and MX Models; Single Drop (Drawing 1 of 2)	20
Display Coin Meter Assembly - MD and MX Models; Single Drop (Drawing 2 of 2)	22
Display Coin Meter Assembly - MD and MX Models; Dual Drop (Drawing 1 of 2).....	24
Display Coin Meter Assembly - MD and MX Models; Dual Drop (Drawing 2 of 2).....	26
W2000 Coin Meter Assembly - MD and MX Models; Single Drop	28
W2000 Coin Meter Assembly - MD and MX Models; Dual Drop.....	30
Coin Box (Optional).....	32
Control Panel Decal	34
Momentary Switch and Light.....	36
Switch Assembly - ML, MN, MX and MY Models.....	38
Door Lock - MD, ML, MX and MY Models.....	40
Door Lock - MN Models	42
Door (Drawing 1 of 2).....	44
Door (Drawing 2 of 2).....	46
Panels (Drawing 1 of 2)	48
Panels (Drawing 2 of 2)	50
Inner and Outer Front Panels - MN and MY Models.....	52
Inner and Outer Front Panels - MD, ML and MX Models.....	54
Basket, Shell, Frame and Trunnion (Drawing 1 of 4).....	56
Basket, Shell, Frame and Trunnion (Drawing 2 of 4).....	58
Basket, Shell, Frame and Trunnion (Drawing 3 of 4).....	60
Basket, Shell, Frame and Trunnion (Drawing 4 of 4).....	62
Fill Plumbing Assembly and External Supply Assembly (Drawing 1 of 2).....	64
Fill Plumbing Assembly and External Supply Assembly (Drawing 2 of 2).....	66
Drain Valve Assembly - 20, 25 and 30 Pound Capacity Machines.....	68
Drain Valve Assembly - 40, 50 and 60 Pound Capacity Machines.....	70
Drain, Hoses and Air Trap - 50 and 60 Pound Capacity Machines with Heat Shell.....	72
Drain, Hoses and Air Trap - All Machines Except 50 and 60 Pound Capacity Machines with Heat Shell	74
Pump Drain Option (Drawing 1 of 2).....	76
Pump Drain Option (Drawing 2 of 2).....	78
Water Supply Hose and Filter (Optional)	80

© Copyright 2012, Alliance Laundry Systems LLC

All rights reserved. No part of the contents of this book may be reproduced or transmitted in any form or by any means without the expressed written consent of the publisher.

Motor, Pulley and Belt Assembly - 20, 25 and 30 Pound Capacity Machines (Drawing 1 of 3).....	82
Motor, Pulley and Belt Assembly - 20, 25 and 30 Pound Capacity Machines (Drawing 2 of 3).....	84
Motor, Pulley and Belt Assembly - 20, 25 and 30 Pound Capacity Machines (Drawing 3 of 3).....	86
Motor, Pulley and Belt Assembly - 40, 50 and 60 Pound Capacity Machines (Drawing 1 of 2).....	88
Motor, Pulley and Belt Assembly - 40, 50 and 60 Pound Capacity Machines (Drawing 2 of 2).....	90
Electric Heat Option	92
Steam Heat Assembly (Drawing 1 of 2).....	94
Steam Heat Assembly (Drawing 2 of 2).....	96
Special Tools	98
Parts Index.....	101

Parts Ordering Information

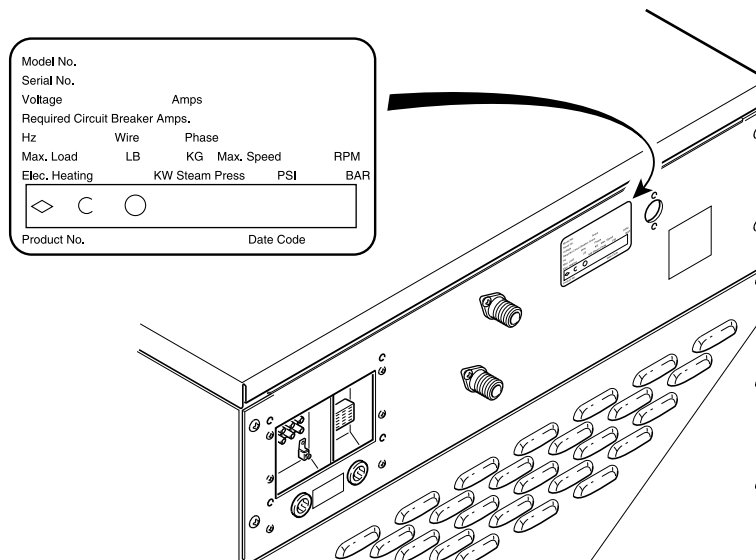
If literature or replacement parts are required, contact the source from whom the machine was purchased or contact Alliance Laundry Systems at (920) 748-3950 for the name and address of the nearest authorized parts distributor.

For technical assistance, call either of the numbers listed below:

(920) 748-3121 Ripon, Wisconsin
+32 56 41 20 54 Wevelgem, Belgium

Nameplate Location

When calling or writing about your product, be sure to mention model and serial numbers. Model and serial numbers are located on nameplate(s) as shown.



CHM2411P_F232189

Model Identification

Information in this manual is applicable to these washer-extractor models:

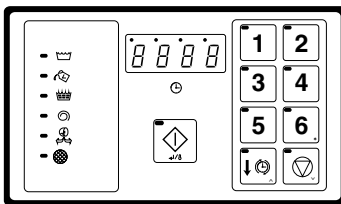
HC20MD2	HC40MD2	SC20MD2	SC40MD2	UC20MD2
HC20ML2	HC40ML2	SC20ML2	SC40ML2	UC20ML2
HC20MN2	HC40MN2	SC20MN2	SC40MN2	UC20MN2
HC20MX2	HC40MX2	SC20MX2	SC40MX2	UC20MX2
HC20MY2	HC40MY2	SC20MY2	SC40MY2	UC30ML2
HC25MD2	HC50MD2	SC25MD2	SC50MD2	UC30MN2
HC25ML2	HC50ML2	SC25ML2	SC50ML2	UC30MX2
HC25MX2	HC50MN2	SC25MX2	SC50MN2	UC40MN2
HC25MY2	HC50MX2	SC25MY2	SC50MX2	UC50MN2
HC30MD2	HC50MY2	SC30MD2	SC50MY2	UC60MN2
HC30ML2	HC60MD2	SC30ML2	SC60MD2	
HC30MN2	HC60ML2	SC30MN2	SC60ML2	
HC30MX2	HC60MN2	SC30MX2	SC60MN2	
HC30MY2	HC60MX2	SC30MY2	SC60MX2	
	HC60MY2		SC60MY2	

NOTE: This manual applies to all 40-pound capacity models and to design 6 models only of every other capacity

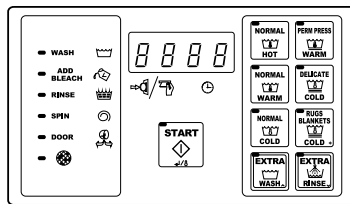
Product Overview for A and B-Control

Model No. *C40AC20U60001
 Serial No. 00000000000
 Voltage 208 – 240 Amps 7
 Required Circuit Breaker Amps 15
 Hz 60 Wire 3 Phase 3
 Max. Load 40 LB 18.2 KG Max. Speed 470 RPM
 Elec. Heating N/A KW Steam Press. N/A PSI 0 BAR
 Drawing:

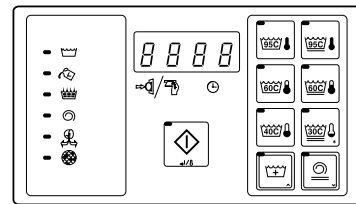
ETL LISTED
 CONFORMS TO
 ANSUL STD. 1555
 ANSUL STD. 1206
 ETL TESTING LABORATORIES, INC.
 CORTLAND, NEW YORK 13045



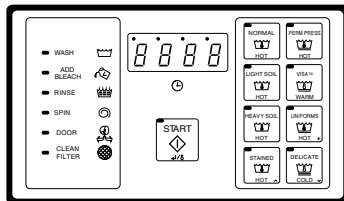
A-Control OPL



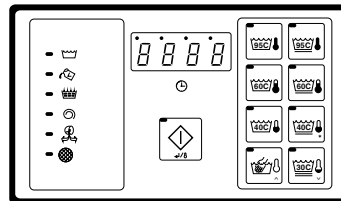
A-Control Coin (Domestic)



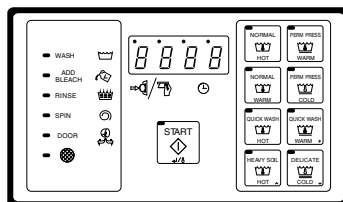
A-Control Coin (International)



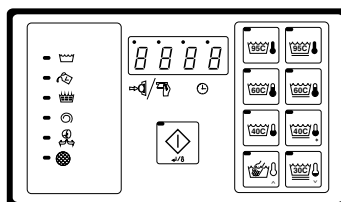
B-Control OPL (Domestic)



B-Control OPL (International)



B-Control Coin (Domestic)



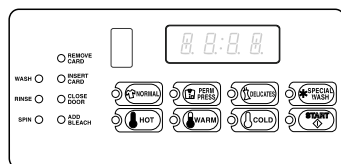
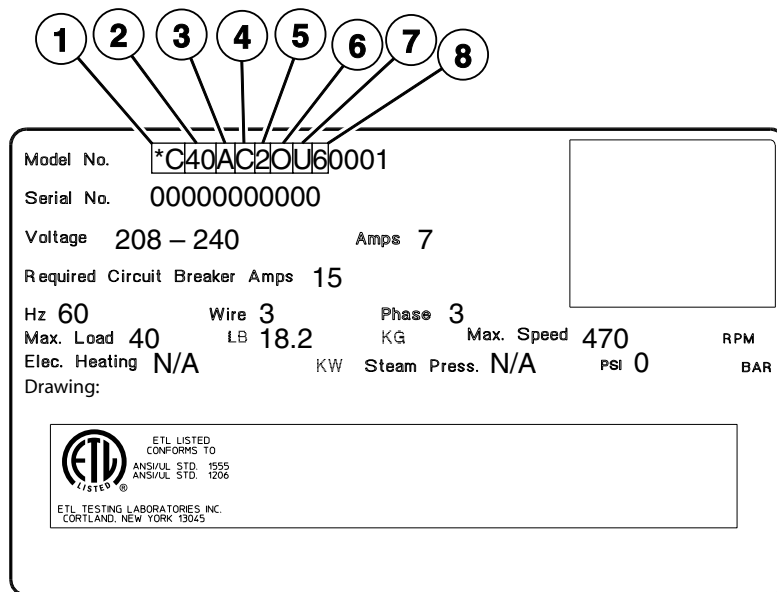
B-Control Coin (International)

CHM2976P_F232189

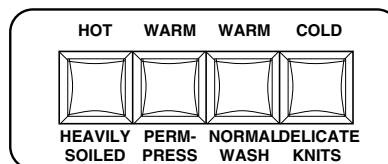
Product Overview for A and B-Control

REF	PART NO.	DESCRIPTION	COMMENTS
1	-	Product Family	DC HC NC SC UC
2	-	Capacity (Pounds)	18 20 25 27 30 35 40 50 60 80 100 125
3	-	Control	A (A-Control) B (B-Control)
4	-	Actuation	C (Drop Coin Meter) D (Digital Coin Meter) L (Prep for Remote/Central Pay) N (Non-Coin - OPL) R (Cardmate Plus II) X (Prep for Coin Meter) Y (Prep for Card Reader)
5	-	Speed	2 (2-Speed) 3 (3-Speed) F (F-Speed) V (Variable Speed)
6	-	Voltage	B (120/60/1/2) C (380-415/50/3/4) D (220-240/50/3/3) E (220-240/50/1/2) F (440-480/60/3/3) J (220/50/3/3) N (440-480/50-60/3/3) O (200-240/60/3/3) P (380-415/50-60/3/3) Q (200-240/50-60/3/3) X (200-240/50-60/1/3) Y (208-240/60/1/2)
7	-	Side Panel	N (Network Board Installed) P (Network Adaptable) U (Standard Specs) 1 (Stainless Steel) 2 (Network Board Installed with Stainless Sides) 3 (Network Adaptable with Stainless Sides)
8	-	Design	1-4 and 6

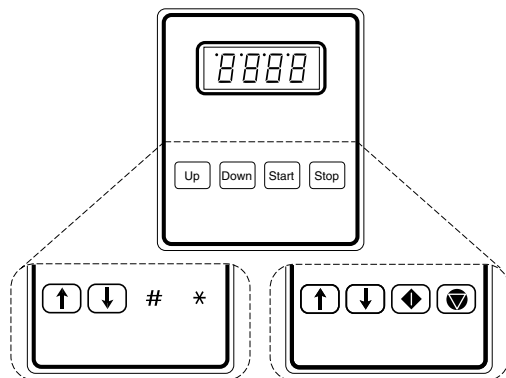
Product Overview for NetMaster, Mechanical Timer and P, S and V-Computer



NetMaster



Mechanical Timer



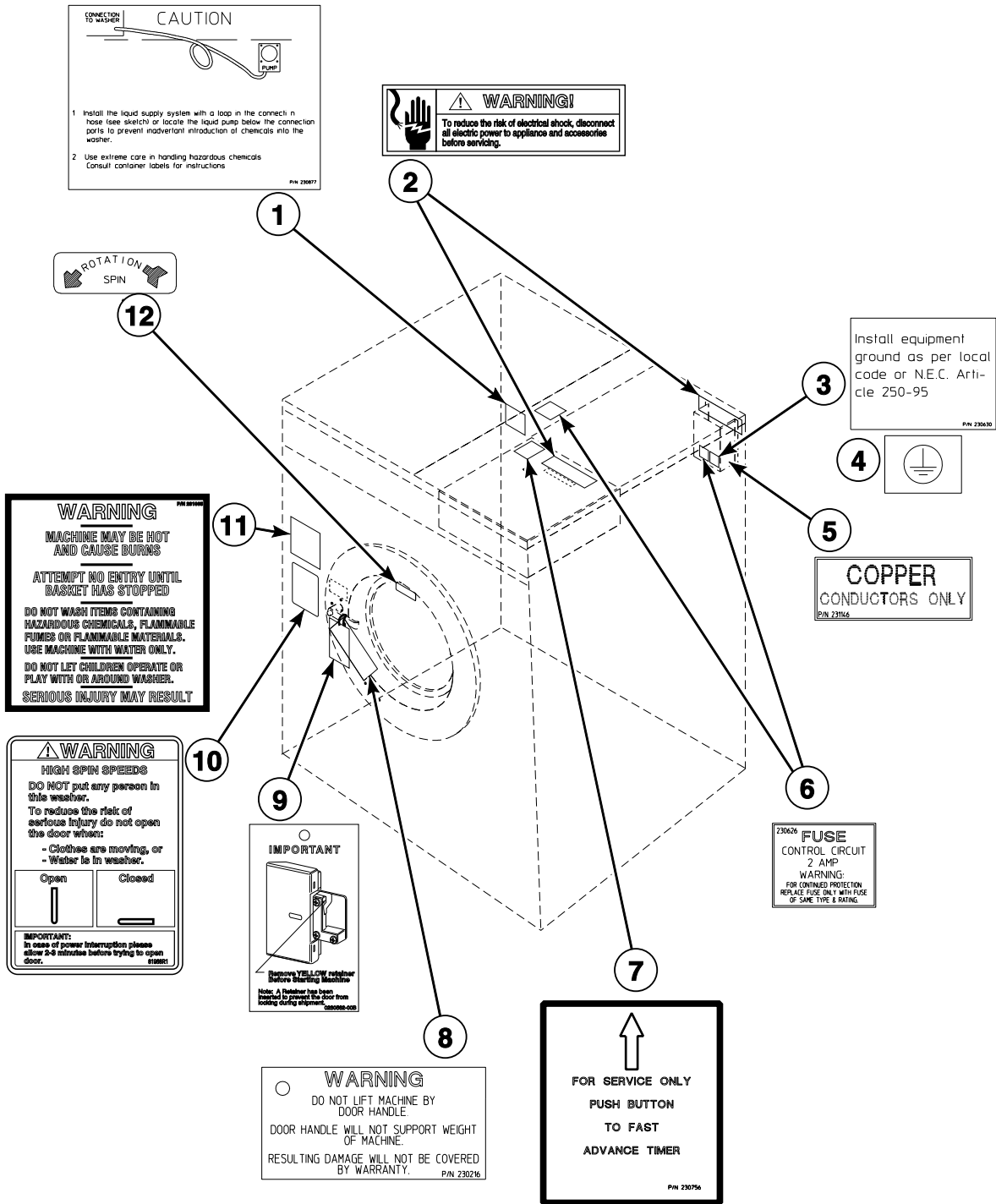
P, S and V-Computer

CHM2977P_F232189

Product Overview for NetMaster, Mechanical Timer and P, S and V-Computer

REF	PART NO.	DESCRIPTION	COMMENTS
1	-	Product Family	DC HC NC SC UC
2	-	Capacity (Pounds)	18 20 25 27 30 35 40 50 60 80 100 125
3	-	Control	M (Mechanical Timer) N (NetMaster) P (P-Computer) S (S-Computer) V (V-Computer)
4	-	Actuation	C (Drop Coin Meter) D (Digital Coin Meter) L (Prep for Remote/Central Pay) N (Non-Coin - OPL) R (Cardmate Plus II) X (Prep for Coin Meter) Y (Prep for Card Reader)
5	-	Speed	2 (2-Speed) 3 (3-Speed) F (F-Speed) V (Variable Speed)
6	-	Voltage	B (120/60/1/2) C (380-415/50/3/4) D (220-240/50/3/3) E (220-240/50/1/2) F (440-480/60/3/3) J (220/50/3/3) N (440-480/50-60/3/3) O (200-240/60/3/3) P (380-415/50-60/3/3) Q (200-240/50-60/3/3) X (200-240/50-60/1/3) Y (208-240/60/1/2)
7	-	Side Panel	N (Network Board Installed) P (Network Adaptable) U (Standard Specs) 1 (Stainless Steel) 2 (Network Board Installed with Stainless Sides) 3 (Network Adaptable with Stainless Sides)
8	-	Design	1-4 and 6

Decals



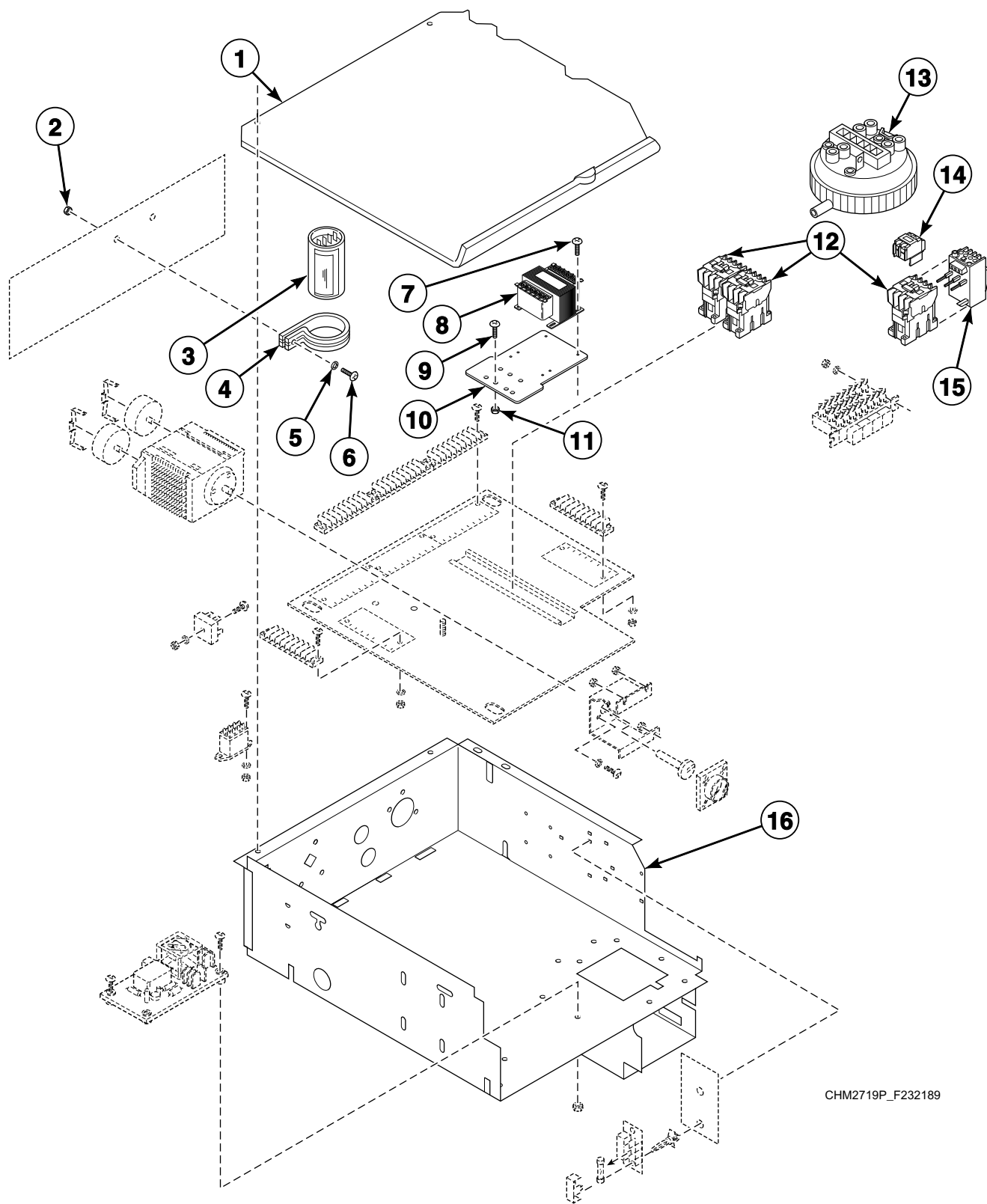
CHM2463P_F232189

Decals

REF	PART NO.	DESCRIPTION	COMMENTS
1	F230877	Liquid Supply Decal	MN models
2	505281	Disconnect Power Warning Label	
3	F230630	Ground Decal	
4	F230739	Ground Decal	
5	F231146	Conductor Decal	
6	N/A	Fuse Decal	
7	F230756	Manual Fast Advance Decal	MD, ML, MX and MY models
8	F230216	Do Not Lift Decal	
9	F230528	Remove Door Lock Tag	MN models
10	81968	Door Warning Label	
11	F231065	Personal Injury Warning Decal	
12	F230693	Counterclockwise Spin Rotation Decal	English
	F230914	Spin Rotation Decal	Universal

N/A = Part no longer available

Control Module - MN Models; Terminal Strip Style (Drawing 1 of 2)



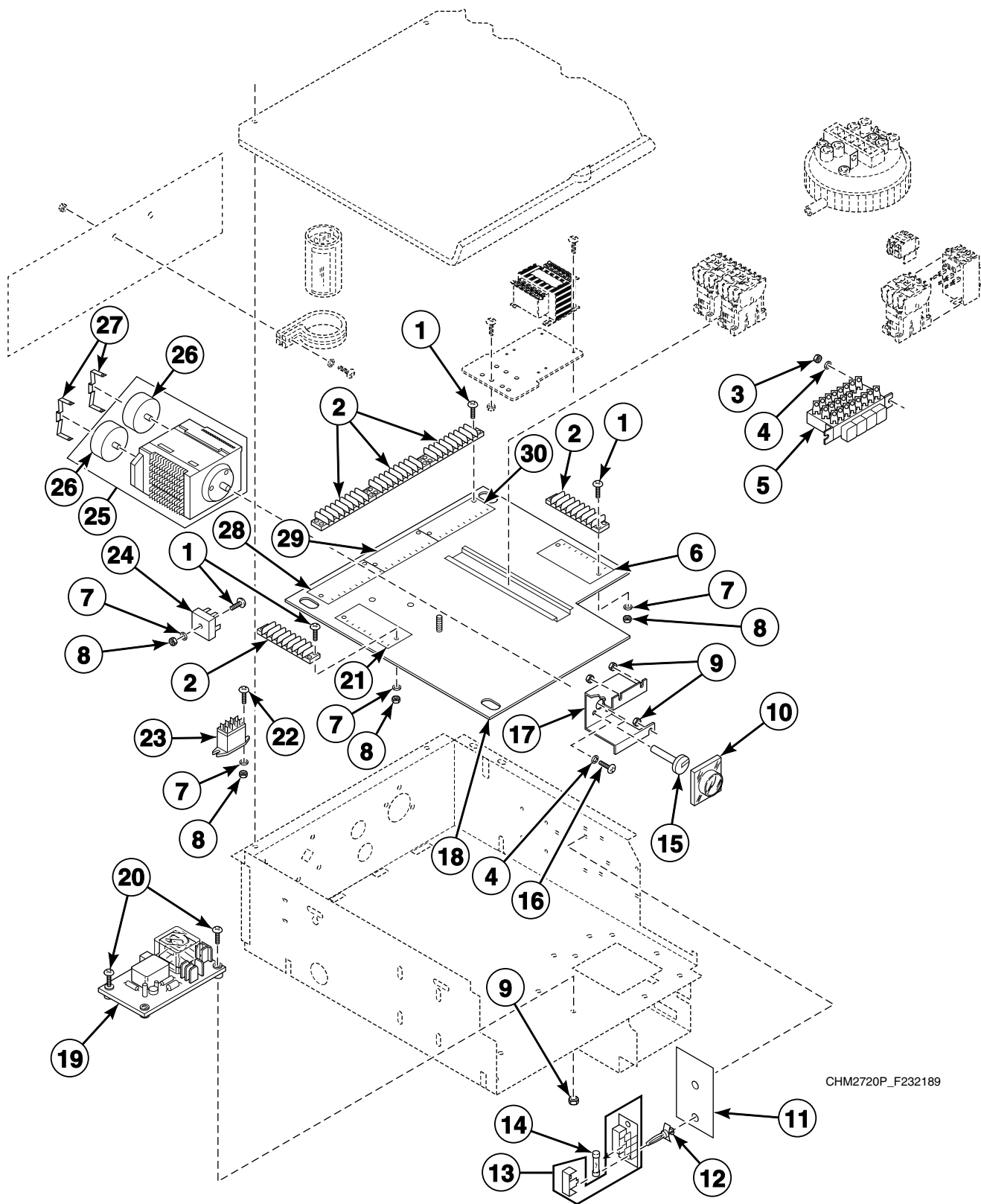
CHM2719P_F232189

Control Module - MN Models; Terminal Strip Style (Drawing 1 of 2)

REF	PART NO.	DESCRIPTION	COMMENTS
1	F0637179-00	Module Box Cover	
2	F430231	Nut	1 Phase
3	F340002	Motor Switch	1 Phase
4	F0340722-00	Switch Clamp	1 Phase
5	F430311	Washer	1 Phase
6	F430916	Screw	1 Phase
7	N/A	Screw	
8	C000203	Transformer	120 Volt; F, H, O and Y-voltage with pump drain option
	F360117P	Transformer	120 Volt; F, H, O and Y-voltage without pump drain option
	F360156P	Transformer	220 Volt; F and H-voltage
9	F430107	Screw	
10	F200167700	Transformer Mounting Bracket	
11	F430215	Nut	
12	F330175P	Contactora	120 Volt; B-voltage; F, H, K, O, L and Y-voltage through 7/1/04
	F330177P	Contactora	220 Volt; C, D, E and J-voltage; F, H, K, O and Y-voltage starting 7/2/04
13	F0340343-00P	Water Level Switch	Models HC20MN2, HC30MN2, SC20MN2, SC30MN2, UC20MN2 and UC30MN2
	F8134601P	Pressure Switch	Models HC40MN2, SC40MN2 and UC40MN2
	F0340345-00P	Water Level Switch	Models HC50MN2, HC60MN2, SC50MN2, SC60MN2, UC50MN2 and UC60MN2
14	F330185P	Auxiliary Contactora	
15	F8344001P	Overload Contactora	Models HC20MN2, HC30MN2, SC20MN2, SC30MN2, UC20MN2 and UC30MN2; 1 Phase
	F8344101P	Overload Contactora	Models HC40MN2, SC40MN2 and UC40MN2; Models through 2/25/03; 1 Phase
	F8176101P	Overload Contactora	Models HC40MN2, SC40MN2 and UC40MN2 starting 2/25/03; Models HC50MN2, SC50MN2 and UC50MN2; 1 Phase
16	F0636876-01	Module Box Assembly	

N/A = Part no longer available

Control Module - MN Models; Terminal Strip Style (Drawing 2 of 2)



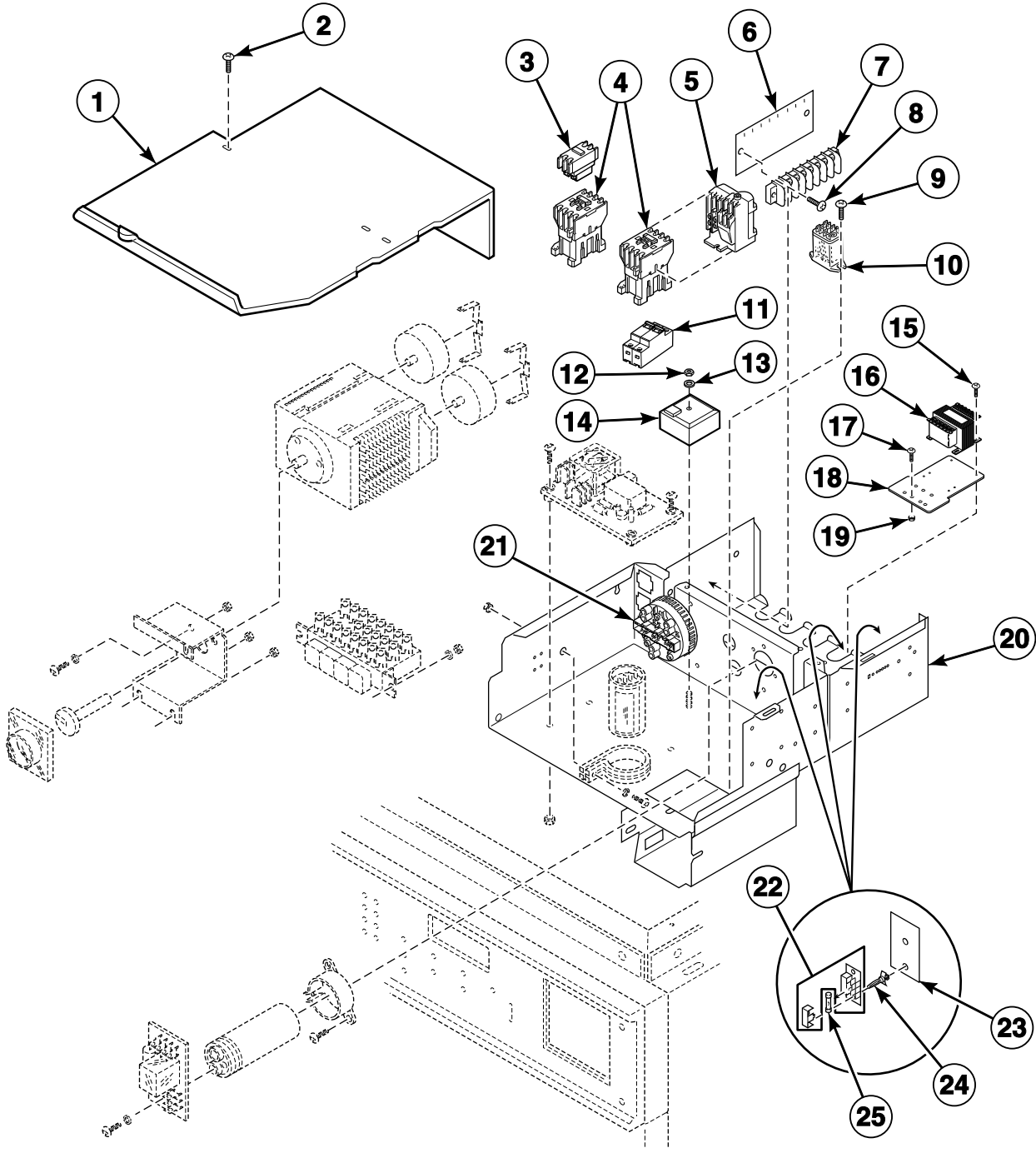
CHM2720P_F232189

Control Module - MN Models; Terminal Strip Style (Drawing 2 of 2)

REF	PART NO.	DESCRIPTION	COMMENTS
1	F430916	Screw	
2	F140738	Terminal Strip	
3	F430231	Nut	
4	F431123	Washer	
5	F340442	Cycle Selector Switch	
6	F140916	Terminal Strip Insulator Decal	Terminal strip 33-40
7	F431113	Washer	
8	F431022	Nut	
9	F430231	Nut	
10	F150249	Cycle Timer Indicator Cover	
11	F231354	Fuse Decal	3.15 Amp
12	F180506	Standoff	
13	F0350312-10	Fuse Holder	
14	F350141	Fuse	3.15 Amp; Slo blo
	F350117	Fuse	2 Amp
15	F730525	Cycle Timer Indicator Kit	Includes F150378 Cycle Timer Indicator and F200107P Water Hose
16	F430948	Screw	
17	F635541	Timer Mounting Bracket	
18	F0607746-01	Electrical Panel Sub-Assembly	
19	F370413P	Relay CCA	120 Volt
	F370440P	Relay CCA	220 Volt/50 Hertz
	F370414P	Relay CCA	220 Volt/60 Hertz
20	F430910	Screw	
21	F140912	Terminal Strip Insulator Decal	Terminal strip 1-8
22	F430917	Screw	
23	F330227	Flange Relay	120 Volt
	F330230	Flange Relay	220 Volt
24	F370310	Bridge Rectifier	120 Volt
25	F160301P	Cycle Timer	120 Volt
	F160304P	Cycle Timer	220 Volt/50 Hertz
	F200110300P	Cycle Timer	220 Volt/60 Hertz
26	F160539	Motor	120 Volt/60 Hertz
	N/A	Motor	220 Volt/50 Hertz
	F160537	Motor	220 Volt/60 Hertz
27	N/A	Clamp	
28	F140913	Terminal Strip Insulator Decal	Terminal strip 9-16
29	F140914	Terminal Strip Insulator Decal	Terminal strip 17-24
30	F140915	Terminal Strip Insulator Decal	Terminal strip 25-32

N/A = Part no longer available

Control Module - MD, ML, MX and MY Models; Wire Harness Style (Drawing 1 of 2)



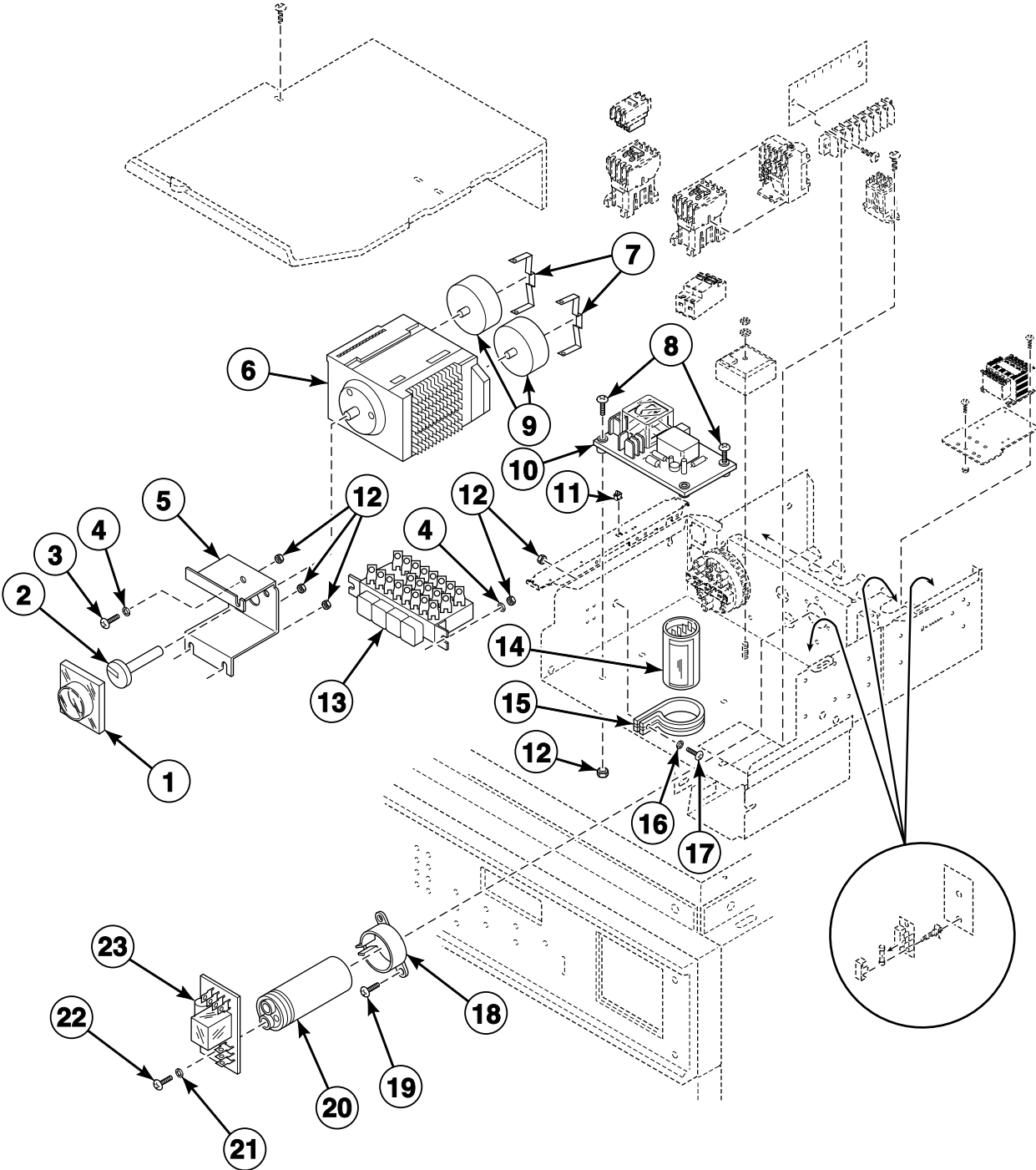
CHM2921P_F232189

Control Module - MD, ML, MX and MY Models; Wire Harness Style (Drawing 1 of 2)

REF	PART NO.	DESCRIPTION	COMMENTS
1	F634175	Control Module Cover	
2	F430174	Screw	
3	F330185P	Auxiliary Contactor	
4	F330175P	Contactors	120 Volt; B-voltage; F, H, K, O, L and Y-voltage through 7/1/04
	F330177P	Contactors	220 Volt; C, D, E and J-voltage; F, H, K, O and Y-voltage starting 7/2/04
5	F8344001P	Overload Contactor	HC20, HC25, HC30, SC20, SC25, SC30, UC20 and UC30 models; 1 Phase
	F8344101P	Overload Contactor	HC40 and SC40 models; Models through 2/24/03; 1 Phase
	F8176101P	Overload Contactor	HC40 and SC40 models starting 2/25/03; HC50, HC60, SC50 and SC60 models; 1 Phase
6	F140914	Terminal Strip Insulator Decal	Terminal strip 17-24; 1 Phase
7	F140738	Terminal Strip	1 Phase
8	F430156	Screw	1 Phase
9	N/A	Screw	
10	F330227	Flange Relay	120 Volt
	F330230	Flange Relay	220 Volt
11	F350217	Circuit Breaker	F and H-voltage
12	F430211	Nut	
13	F431100	Washer	
14	F200025200P	Door Lock Time Delay	
	F200025400	Time Delay Assembly	
15	N/A	Screw	
16	C000203	Transformer	120 Volt; F, H, O and Y-voltage with pump drain option
	F360117P	Transformer	120 Volt; F, H, O and Y-voltage without pump drain option
	F360156P	Transformer	220 Volt; F and H-voltage
17	F430107	Screw	
18	F200167700	Transformer Mounting Bracket	
19	F430215	Nut	
20	F634236-1	Control Box Assembly	
21	F0340343-00P	Water Level Switch	HC20, HC25, HC30, SC20, SC25, SC30, UC20 and UC30 models
	F8134601P	Pressure Switch	HC40 and SC40 models
	F0340345-00P	Water Level Switch	HC50, HC60, SC50 and SC60 models
22	F0350312-10	Fuse Holder	
23	F231393	Fuse Decal	1 Amp
	F231394	Fuse Decal	2 Amp
	F231354	Fuse Decal	3.15 Amp
24	F180506	Standoff	
25	F350110	Fuse	1 Amp
	F350117	Fuse	2 Amp
	F350125	Fuse	1 Amp
	F350141	Fuse	3.15 Amp

N/A = Part no longer available

Control Module - MD, ML, MX and MY Models; Wire Harness Style (Drawing 2 of 2)



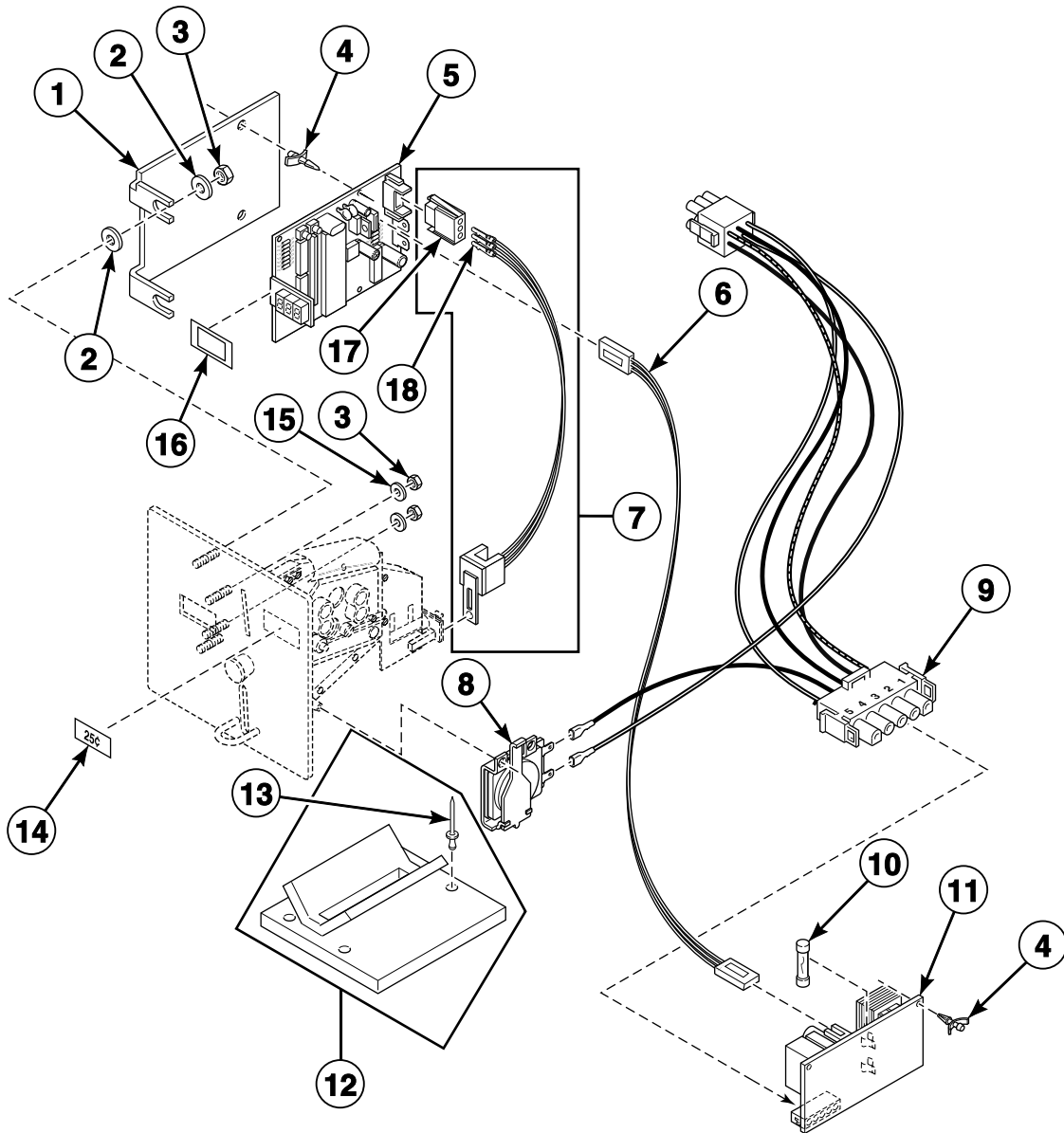
CHM3085P_F232189

Control Module - MD, ML, MX and MY Models; Wire Harness Style (Drawing 2 of 2)

REF	PART NO.	DESCRIPTION	COMMENTS
1	F150249	Cycle Timer Indicator Cover	
2	F730525	Cycle Timer Indicator Kit	Includes F150378 Cycle Timer Indicator and F200107P Water Hose
3	F430948	Screw	
4	F431123	Washer	
5	F635541	Timer Mounting Bracket	
6	F160301P	Cycle Timer	120 Volt; Includes item 17; Models through 6/30/04
	F160304P	Cycle Timer	220 Volt/50 Hertz; Includes item 17
	F200110300P	Cycle Timer	220 Volt/60 Hertz; Models starting 7/1/04
7	N/A	Clamp	
8	F430910	Screw	
9	F160539	Motor	120 Volt
	N/A	Motor	220 Volt/50 Hertz
	F160537	Motor	220 Volt/60 Hertz
10	F370413P	Relay CCA	120 Volt
	F370440P	Relay CCA	220 Volt/50 Hertz
	F370414P	Relay CCA	220 Volt/60 Hertz
11	F340430	Switch	
12	F430231	Nut	1 Phase
13	F340442	Cycle Selector Switch	
14	F340002	Motor Switch	1 Phase
15	F0340722-00	Switch Clamp	1 Phase
16	F430311	Washer	1 Phase
17	F430916	Screw	1 Phase
18	F140612P	Capacitor Mounting Clamp	
19	F430177	Screw	
20	F370225P	Capacitor	
21	F431108	Washer	
22	201415	Screw	
23	F370430-1P	Door Lock CCA	120 Volt
	F370430-3P	Door Lock CCA	220 Volt

N/A = Part no longer available

Display Coin Meter Assembly - MD and MX Models; Single Drop (Drawing 1 of 2)



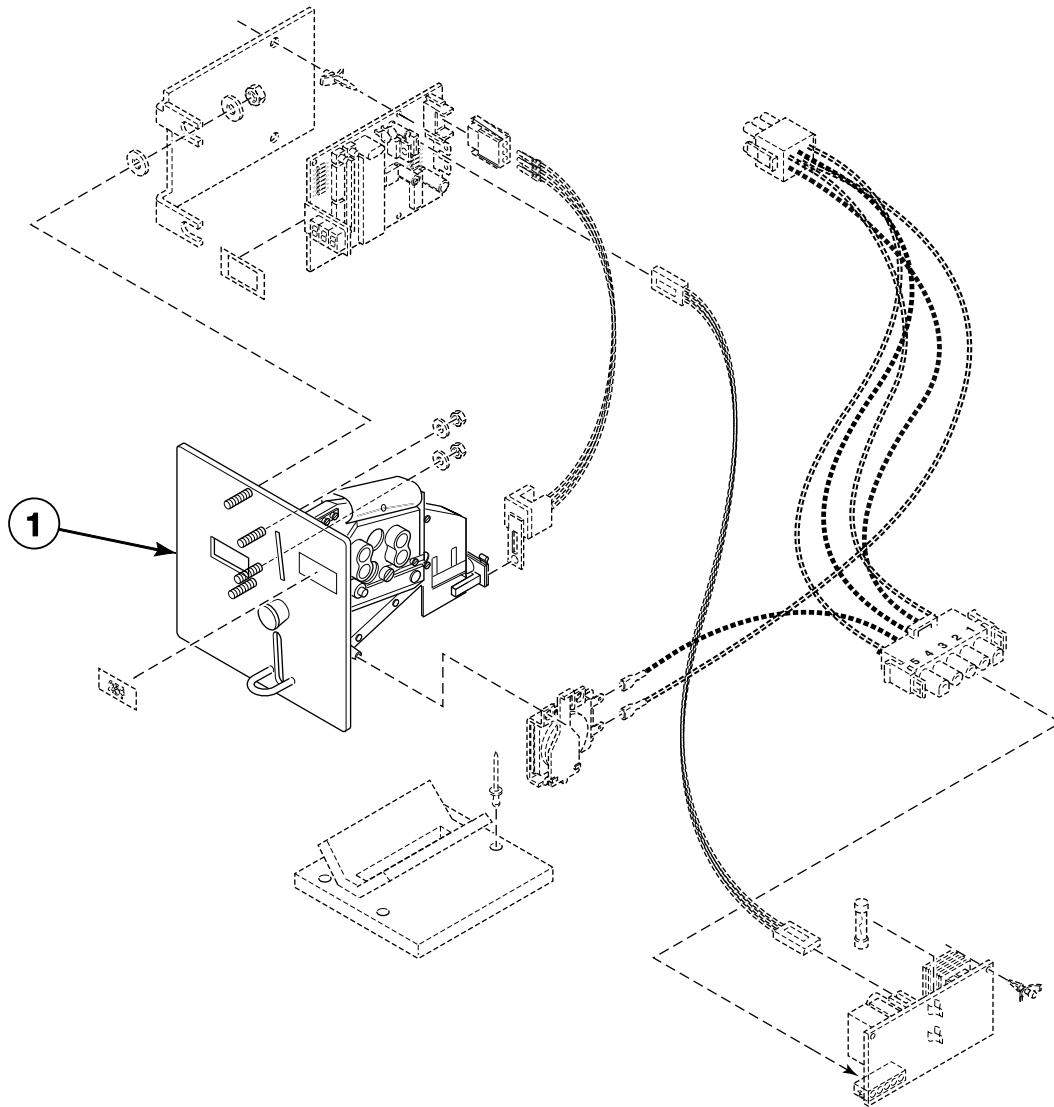
CHM2800P_F232189

Display Coin Meter Assembly - MD and MX Models; Single Drop (Drawing 1 of 2)

REF	PART NO.	DESCRIPTION	COMMENTS
1	F608169	CCA Mounting Bracket	
2	F430311	Washer	
3	F430243	Nut	
4	F432001	Circuit Board Support	
5	F0370410-10P	Coin Counter CCA	
6	F140202	DC Power Cable	
7	F775801-01P	Optic Switch Kit	Includes items 17 and 18
8	F160466P	Coin Meter Blocking Coil	120 Volt
	F160467P	Coin Meter Blocking Coil	220 Volt
9	F0141904-01P	Power Supply Harness	With connector on terminal strip end; Blue neutral wires; B and C-voltage
	F0141904-00P	Power Supply Harness	With connector on terminal strip end; Gray neutral wires; D, E, F, H, J, O and Y-voltage
10	F350127	Fuse	40 mA
11	F370411-1P	Power Supply CCA	120 Volt
	F370411-2P	Power Supply CCA	220 Volt
12	F200002502P	Coin Guide Assembly	Includes item 13
13	F431215	Pop Rivet	
14	F231010	Coin Meter Insert Decal	\$.25
15	N/A	Washer	
16	F230803	Digital Display Decal	
17	F140571	Male Connector	
18	00430	Female Pin Terminal	

N/A = Part no longer available

Display Coin Meter Assembly - MD and MX Models; Single Drop (Drawing 2 of 2)

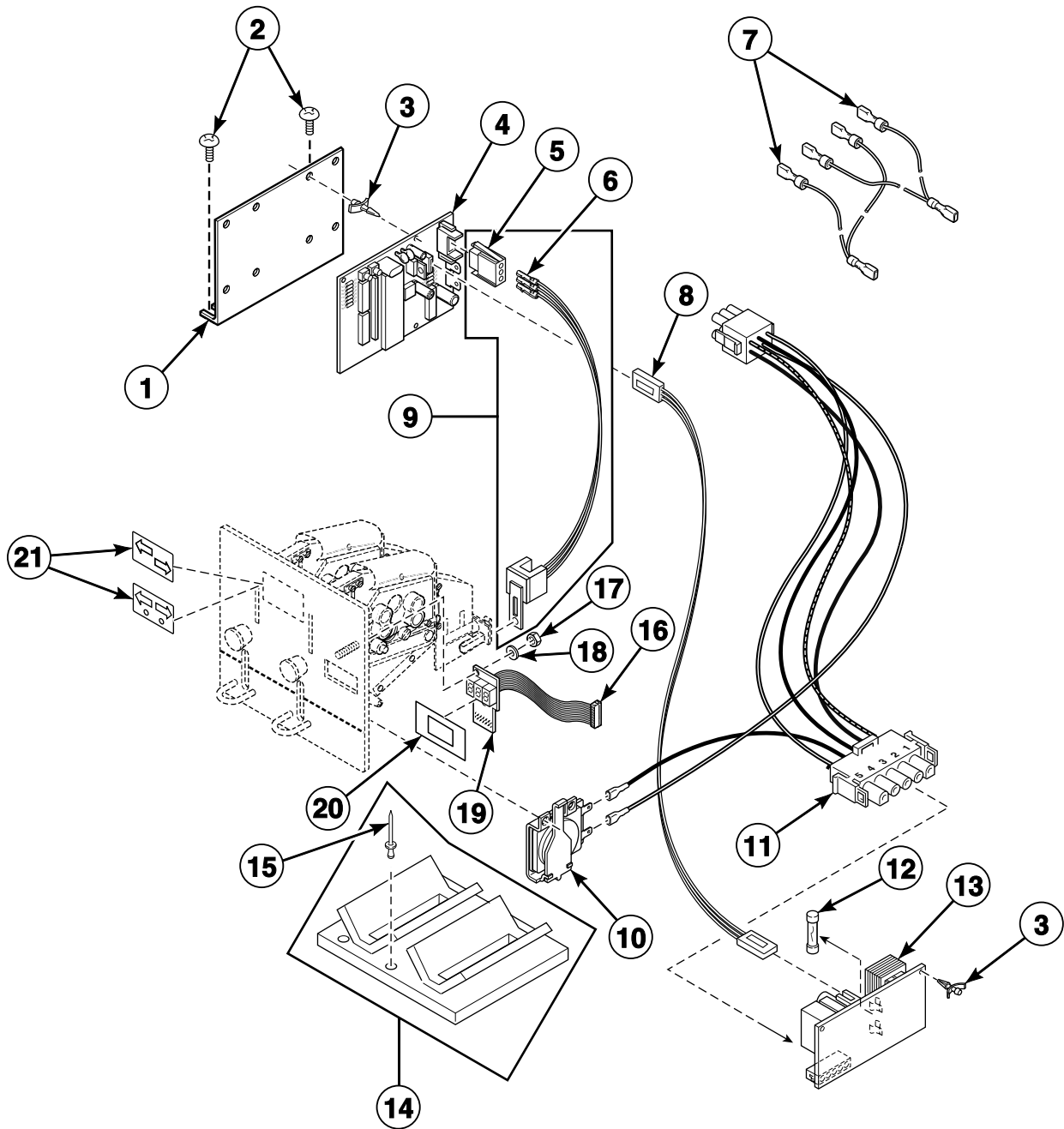


CHM2801P_F232189

Display Coin Meter Assembly - MD and MX Models; Single Drop (Drawing 2 of 2)

REF	PART NO.	DESCRIPTION	COMMENTS
1	F200003000P	Coin Meter Assembly	U.S. quarter; 120 Volt; Includes items 1-5, 6-8, 10, 11 and 14-18 from the <i>Display Coin Meter Assembly - MD and MX Models; Single Drop (Drawing 1 of 2)</i> section and F775302-03P Coin Meter Kit
	F200003001	Coin Meter Assembly	10 Taiwan; 120 Volt; Includes items 1-5, 6-8, 10, 11 and 15-18 from the <i>Display Coin Meter Assembly - MD and MX Models; Single Drop (Drawing 1 of 2)</i> section and F200115001 Coin Meter Assembly
	F200003002	Coin Meter Assembly	.880 token; 220 Volt; Includes items 1-5, 6-8, 10, 11 and 15-18 from the <i>Display Coin Meter Assembly - MD and MX Models; Single Drop (Drawing 1 of 2)</i> section and F160692 Coin Meter
	F200003003P	Coin Meter Assembly	.990 token; 120 Volt; Includes items 1-5, 6-8, 10, 11 and 15-18 from the <i>Display Coin Meter Assembly - MD and MX Models; Single Drop (Drawing 1 of 2)</i> section and F200115003 Coin Meter Assembly
	F200003004	Coin Meter Assembly	.990 token; 220 Volt; Includes items 1-5, 6-8, 10, 11 and 15-18 from the <i>Display Coin Meter Assembly - MD and MX Models; Single Drop (Drawing 1 of 2)</i> section and F160717 Coin Meter
	F200003005P	Coin Meter Assembly	U.S. quarter; 220 Volt; Includes items 1-5, 6-8, 10, 11 and 14-18 from the <i>Display Coin Meter Assembly - MD and MX Models; Single Drop (Drawing 1 of 2)</i> section and F160718 Coin Meter
	F200003006	Coin Meter Assembly	Jeton .08; 220 Volt; Includes items 1-5, 6-8, 10, 11 and 15-18 from the <i>Display Coin Meter Assembly - MD and MX Models; Single Drop (Drawing 1 of 2)</i> section and F160719 Coin Meter
	F200003007	Coin Meter Assembly	.800 token; 120 Volt; Includes items 1-5, 6-8, 10, 11 and 15-18 from the <i>Display Coin Meter Assembly - MD and MX Models; Single Drop (Drawing 1 of 2)</i> section and F0160735-00 Coin Meter
	F200003008	Coin Meter Assembly	500 wan/yen; 120 Volt; Includes items 1-5, 6-8, 10, 11 and 15-18 from the <i>Display Coin Meter Assembly - MD and MX Models; Single Drop (Drawing 1 of 2)</i> section
	F200003009P	Coin Meter Assembly	.880 token; 120 Volt; Includes items 1-5, 6-8, 10, 11 and 15-18 from the <i>Display Coin Meter Assembly - MD and MX Models; Single Drop (Drawing 1 of 2)</i> section and F160692 Coin Meter
	F200003010	Coin Meter Assembly	.800 token; 220 Volt; Includes items 1-5, 6-8, 10, 11 and 15-18 from the <i>Display Coin Meter Assembly - MD and MX Models; Single Drop (Drawing 1 of 2)</i> section
	F200003011	Coin Meter Assembly	500 wan/yen; 220 Volt; Includes items 1-5, 6-8, 10, 11 and 15-18 from the <i>Display Coin Meter Assembly - MD and MX Models; Single Drop (Drawing 1 of 2)</i> section
	F200003012	Coin Meter Assembly	10 Taiwan; 220 Volt; Includes items 1-5, 6-8, 10, 11 and 15-18 from the <i>Display Coin Meter Assembly - MD and MX Models; Single Drop (Drawing 1 of 2)</i> section

Display Coin Meter Assembly - MD and MX Models; Dual Drop (Drawing 1 of 2)



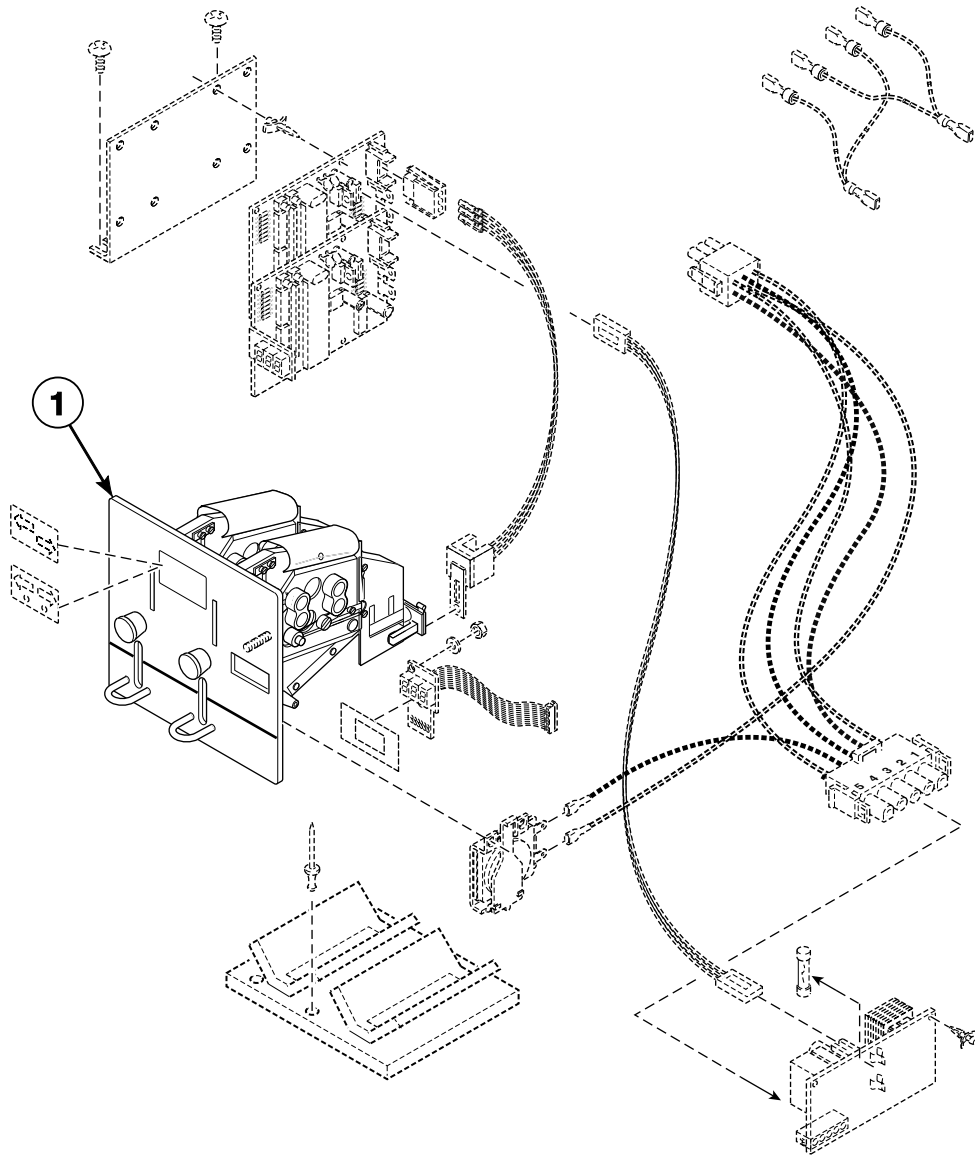
CHM2679P_F232189

Display Coin Meter Assembly - MD and MX Models; Dual Drop (Drawing 1 of 2)

REF	PART NO.	DESCRIPTION	COMMENTS
1	F608169	CCA Mounting Bracket	
2	F430174	Screw	
3	F432001	Circuit Board Support	
4	F370425P	Coin Counter CCA	
5	F140571	Male Connector	
6	00430	Female Pin Terminal	
7	F634561-1	Coin Blocking Wire Harness	D, E, F, H, O and Y-voltage
	F634561-2	Coin Blocking Wire Harness	B and C-voltage
8	F140202	DC Power Cable	
9	F775801-01P	Optic Switch Kit	Includes items 5 and 6
10	F160466P	Coin Meter Blocking Coil	120 Volt
	F160467P	Coin Meter Blocking Coil	220 Volt
11	F0141904-01P	Power Supply Harness	With connector on terminal strip end; Design 6; B and C-voltage
	F0141904-00P	Power Supply Harness	With connector on terminal strip end; Design 6; D, E, F, H, J, O and Y-voltage
12	F350127	Fuse	
13	F370411-1P	Power Supply CCA	120 Volt
	F370411-2P	Power Supply CCA	220 Volt
14	F200002503	Coin Guide Assembly	Includes item 15
15	F431215	Pop Rivet	
16	F140243P	Ribbon Cable	
17	F430243	Nut	
18	N/A	Washer	
19	F370424-1	Digital Display LED CCA	
20	F230803	Digital Display Decal	
21	F0231595-00	Coin Meter Decal	U.S. \$1 and \$.25
	N/A	Coin Meter Decal	Euro .50 and 2.00

N/A = Part no longer available

Display Coin Meter Assembly - MD and MX Models; Dual Drop (Drawing 2 of 2)



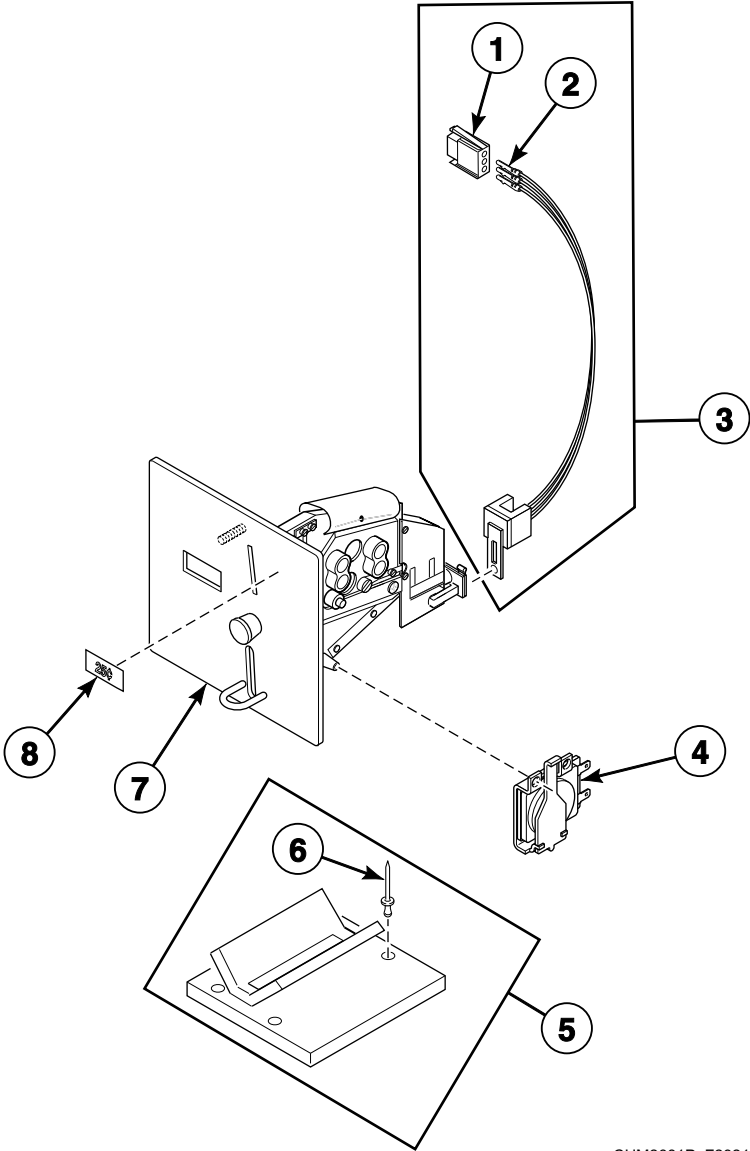
CHM2680P_F232189

Display Coin Meter Assembly - MD and MX Models; Dual Drop (Drawing 2 of 2)

REF	PART NO.	DESCRIPTION	COMMENTS
1	F200004900	Coin Meter Assembly	1 pound and 20 pence; 220 Volt; Includes items 1-6, 8-10, 12, 13 and 16-20 from the <i>Display Coin Meter Assembly - MD and MX Models; Dual Drop (Drawing 1 of 2)</i> section and F160691 Coin Meter
	F200004901	Coin Meter Assembly	100 and 500 yen; 120 Volt; Includes items 1-6, 8-10, 12, 13 and 16-20 from the <i>Display Coin Meter Assembly - MD and MX Models; Dual Drop (Drawing 1 of 2)</i> section and F160693 Coin Meter
	F200004902	Coin Meter Assembly	1 and 5 krona; 220 Volt; Includes items 1- 6, 8-10, 12, 13 and 16-20 from the <i>Display Coin Meter Assembly - MD and MX Models; Dual Drop (Drawing 1 of 2)</i> section and F160694 Coin Meter
	F200004903	Coin Meter Assembly	Australia \$1 and \$.20; 220 Volt; Includes items 1-6, 8-10, 12, 13 and 16-20 from the <i>Display Coin Meter Assembly - MD and MX Models; Dual Drop (Drawing 1 of 2)</i> section and F160695 Coin Meter
	F200004904	Coin Meter Assembly	1 and 5 rand; 220 Volt; Includes items 1-6, 8-10, 12, 13 and 16-20 from the <i>Display Coin Meter Assembly - MD and MX Models; Dual Drop (Drawing 1 of 2)</i> section
	F200004905	Coin Meter Assembly	1 and 5 shekel; 220 Volt; Includes items 1-6, 8-10, 12, 13 and 16-20 from the <i>Display Coin Meter Assembly - MD and MX Models; Dual Drop (Drawing 1 of 2)</i> section and F160715 Coin Meter
	F200004906P	Coin Meter Assembly	U.S. \$1 and \$.25; 120 Volt; Includes items 1-6, 8-10, 12, 13 and 16-21 from the <i>Display Coin Meter Assembly - MD and MX Models; Dual Drop (Drawing 1 of 2)</i> section and F0160730-00 Coin Meter
	N/A	Coin Meter Assembly	100 and 500 peseta; 220 Volt; Includes items 1-6, 8-10, 12, 13 and 16-20 from the <i>Display Coin Meter Assembly - MD and MX Models; Dual Drop (Drawing 1 of 2)</i> section
	F200004908P	Coin Meter Assembly	.50 and 2.00 euro; 220 Volt; Includes items 1-6, 8-10, 12, 13 and 16-21 from the <i>Display Coin Meter Assembly - MD and MX Models; Dual Drop (Drawing 1 of 2)</i> section and F0160736-00 Coin Meter
	F200004909	Coin Meter Assembly	Canada \$1 and \$.25; 120 Volt; Includes items 1-6, 8-10, 12, 13 and 16-21 from the <i>Display Coin Meter Assembly - MD and MX Models; Dual Drop (Drawing 1 of 2)</i> section and F0160740-00 Coin Meter
	F200004910P	Coin Meter Assembly	U.S. \$1 and \$.25; 220 Volt; Includes items 1-6, 8-10, 12, 13 and 16-21 from the <i>Display Coin Meter Assembly - MD and MX Models; Dual Drop (Drawing 1 of 2)</i> section
	F200004911	Coin Meter Assembly	Canada \$1 and \$.25; 220 Volt; Includes items 1-6, 8-10, 12, 13 and 16-21 from the <i>Display Coin Meter Assembly - MD and MX Models; Dual Drop (Drawing 1 of 2)</i> section
	F200004912	Coin Meter Assembly	100 and 500 yen; 220 Volt; Includes items 1-6, 8-10, 12, 13 and 16-20 from the <i>Display Coin Meter Assembly - MD and MX Models; Dual Drop (Drawing 1 of 2)</i> section

N/A = Part no longer available

W2000 Coin Meter Assembly - MD and MX Models; Single Drop

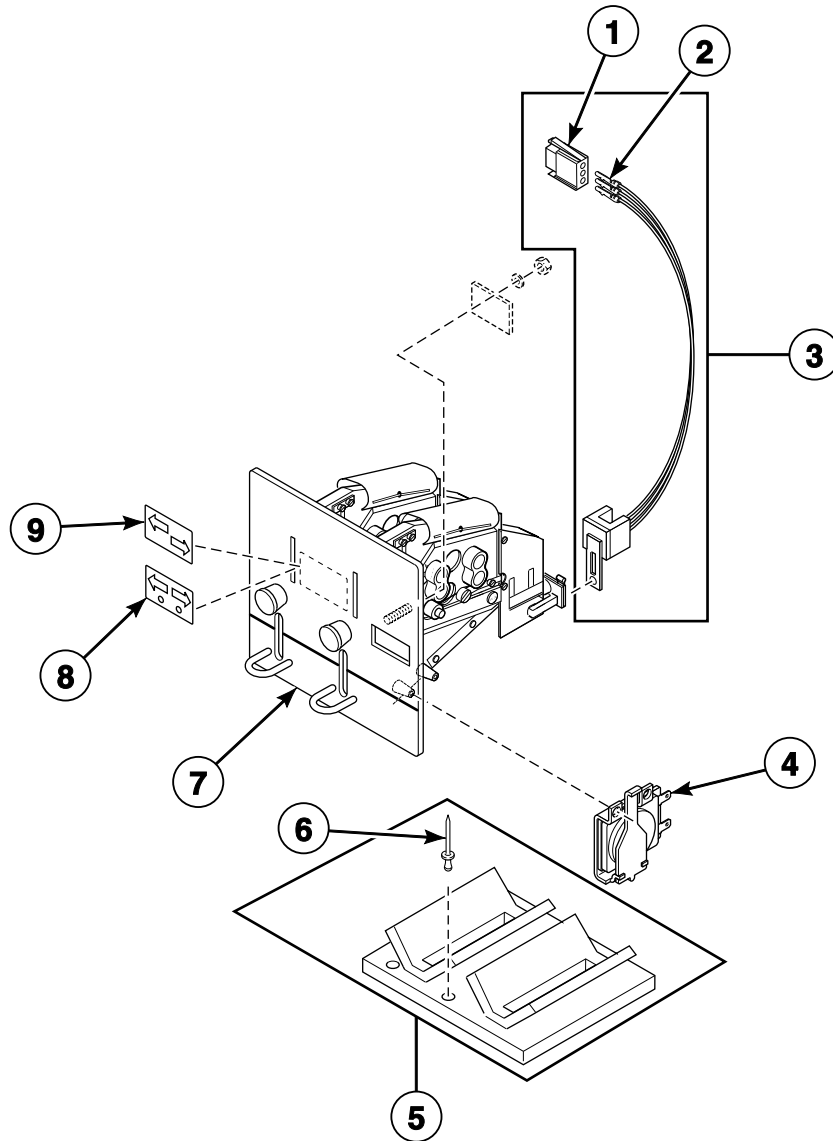


CHM2681P_F232189

W2000 Coin Meter Assembly - MD and MX Models; Single Drop

REF	PART NO.	DESCRIPTION	COMMENTS
1	F140571	Male Connector	
2	00430	Female Pin Terminal	
3	F775801-01P	Optic Switch Kit	Includes items 1 and 2
4	F160466P	Coin Meter Blocking Coil	120 Volt
	F160467P	Coin Meter Blocking Coil	220 Volt
5	F200002502P	Coin Guide Assembly	Includes item 6
6	F431215	Pop Rivet	
7	F200115000P	Coin Meter Assembly	U.S. quarter; 120 Volt; Includes items 1, 2, 8, F160466P Coin Meter Blocking Coil and F775302-03P Coin Meter Kit
	F200115001	Coin Meter Assembly	10 Taiwan; 120 Volt; Includes items 1, 2 and 4
	F200115002	Coin Meter Assembly	.880 token; 220 Volt; Includes items 1, 2, 4 and F160692 Coin Meter
	F200115003	Coin Meter Assembly	.990 token; 120 Volt; Includes items 1, 2 and 4
	F200115004	Coin Meter Assembly	.990 token; 220 Volt; Includes items 1, 2, 4 and F160717 Coin Meter
	F200115005P	Coin Meter Assembly	U.S. quarter; 220 Volt; Includes items 1, 2, 4, 8 and F160718 Coin Meter
	F200115006P	Coin Meter Assembly	.08 jeton; 220 Volt; Includes items 1, 2, 4 and F160719 Coin Meter
	F200115007	Coin Meter Assembly	.800 token; 120 Volt; Includes items 1, 2, 4 and F0160735-00 Coin Meter
	F200115008	Coin Meter Assembly	500 wan and yen; 120 Volt; Includes items 1, 2 and 4
	F200115009	Coin Meter Assembly	.800 token; 220 Volt; Includes items 1, 2 and 4
	F200115010	Coin Meter Assembly	500 wan and yen; 220 Volt; Includes items 1, 2 and 4
	F200115011	Coin Meter Assembly	10 Taiwan; 220 Volt; Includes items 1, 2 and 4
8	F231010	Coin Meter Insert Decal	\$.25

W2000 Coin Meter Assembly - MD and MX Models; Dual Drop



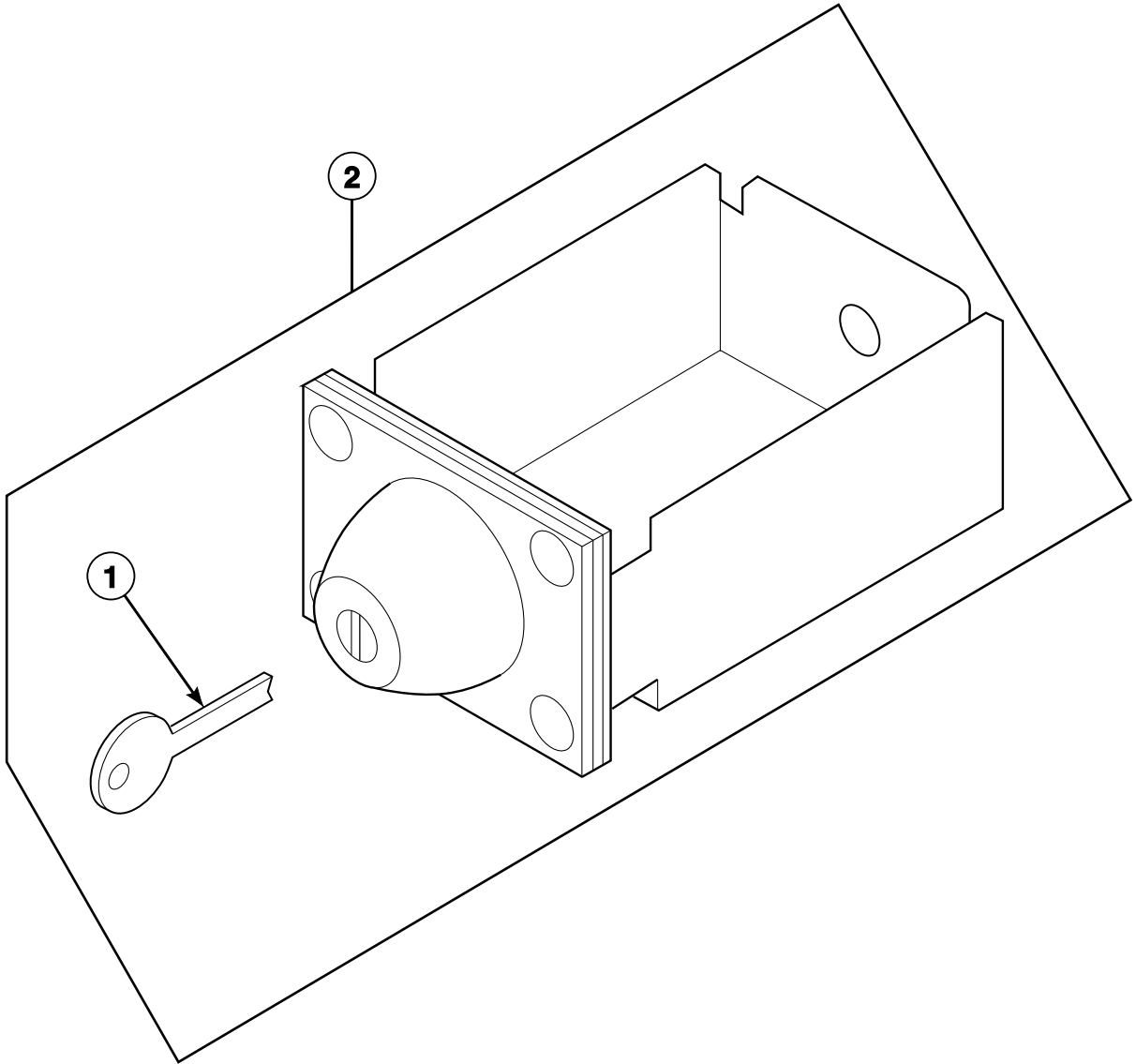
CHM2682P_F232189

W2000 Coin Meter Assembly - MD and MX Models; Dual Drop

REF	PART NO.	DESCRIPTION	COMMENTS
1	F140571	Male Connector	
2	00430	Female Pin Terminal	
3	F775801-01P	Optic Switch Kit	Includes items 1 and 2
4	F160466P	Coin Meter Blocking Coil	120 Volt
	F160467P	Coin Meter Blocking Coil	220 Volt
5	F200002503	Coin Guide Assembly	Includes item 6
6	F431215	Pop Rivet	
7	F200115100	Coin Meter Assembly	1 pound and 20 pence; 220 Volt; Includes items 1, 2 and F160691 Coin Meter
	F200115101	Coin Meter Assembly	100 and 500 yen; 120 Volt; Includes items 1, 2 and F160693 Coin Meter
	F200115102	Coin Meter Assembly	1 and 5 krona; 220 Volt; Includes items 1, 2 and F160694 Coin Meter
	F200115103	Coin Meter Assembly	Australia \$1 and \$.20; 220 Volt; Includes items 1, 2 and F160695 Coin Meter
	F200115104	Coin Meter Assembly	1 and 5 rand; 220 Volt; Includes items 1 and 2
	F200115105	Coin Meter Assembly	1 and 5 shekel; 220 Volt; Includes items 1, 2 and F160715 Coin Meter
	F200115106P	Coin Meter Assembly	U.S. \$1 and \$.25; 120 Volt; Includes items 1, 2, 8 and F0160730-00 Coin Meter
	F200115107	Coin Meter Assembly	100 and 500 peseta; 220 Volt; Includes items 1 and 2
	F200115108	Coin Meter Assembly	.50 and 2.00 euro; 220 Volt; Includes items 1, 2, 9 and F0160736-00 Coin Meter
	F200115109	Coin Meter Assembly	Canada \$1 and \$.25; 120 Volt; Includes items 1, 2, 8 and F0160740-00 Coin Meter
	F200115110	Coin Meter Assembly	U.S. \$1 and \$.25; 220 Volt; Includes items 1, 2 and 8
	F200115111	Coin Meter Assembly	Canada \$1 and \$.25; 220 Volt; Includes items 1, 2 and 8
F200115112	Coin Meter Assembly	100 and 500 yen; 220 Volt; Includes items 1 and 2	
8	F0231595-00	Coin Meter Decal	\$1 and \$.25
9	N/A	Coin Meter Decal	.50 and 2.00 euro

N/A = Part no longer available

Coin Box (Optional)

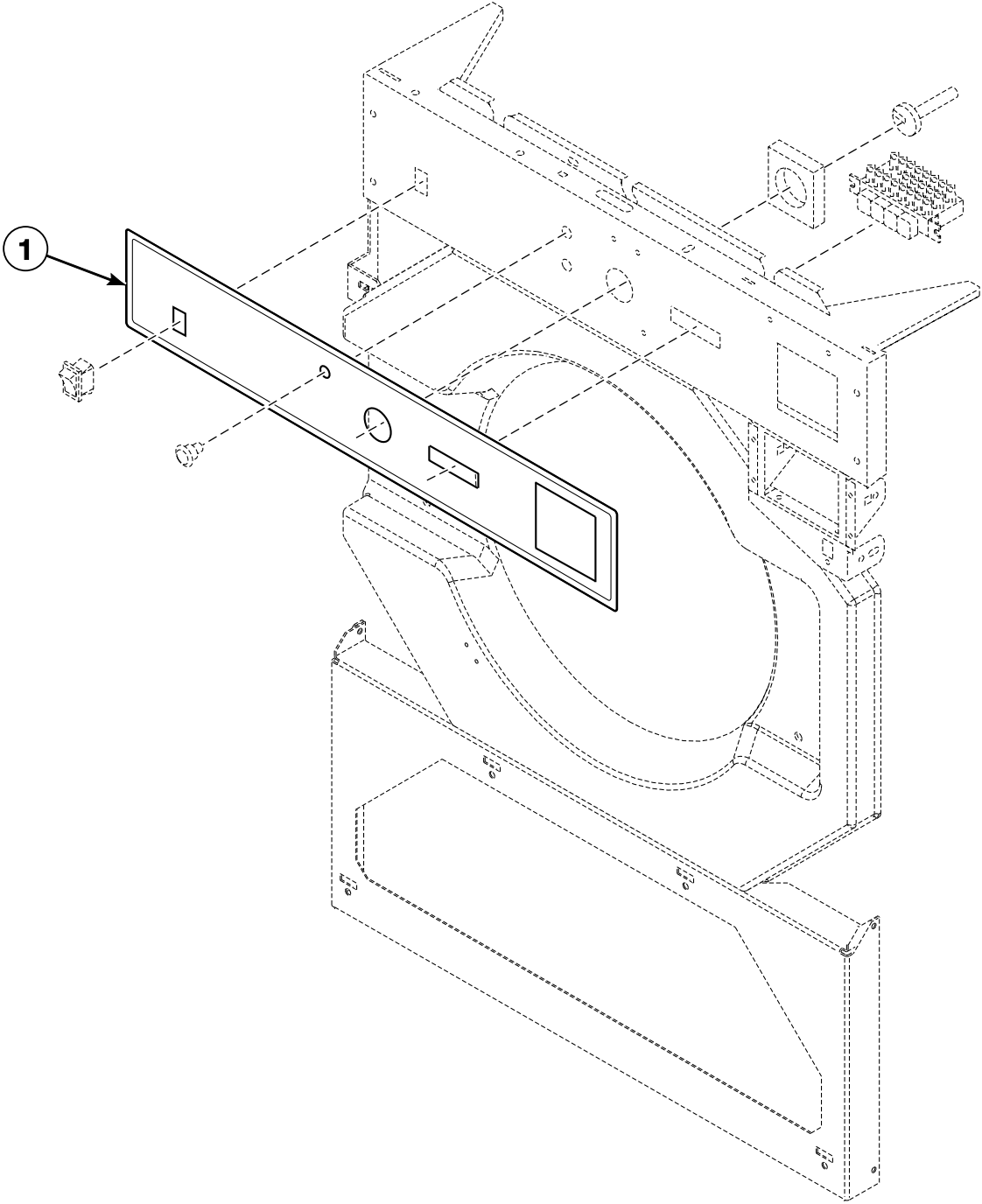


CHM1764P_F232189

Coin Box (Optional)

REF	PART NO.	DESCRIPTION	COMMENTS
1	F160420	Key	UG21
2	F160672	Coin Box	UG21; Includes item 1

Control Panel Decal



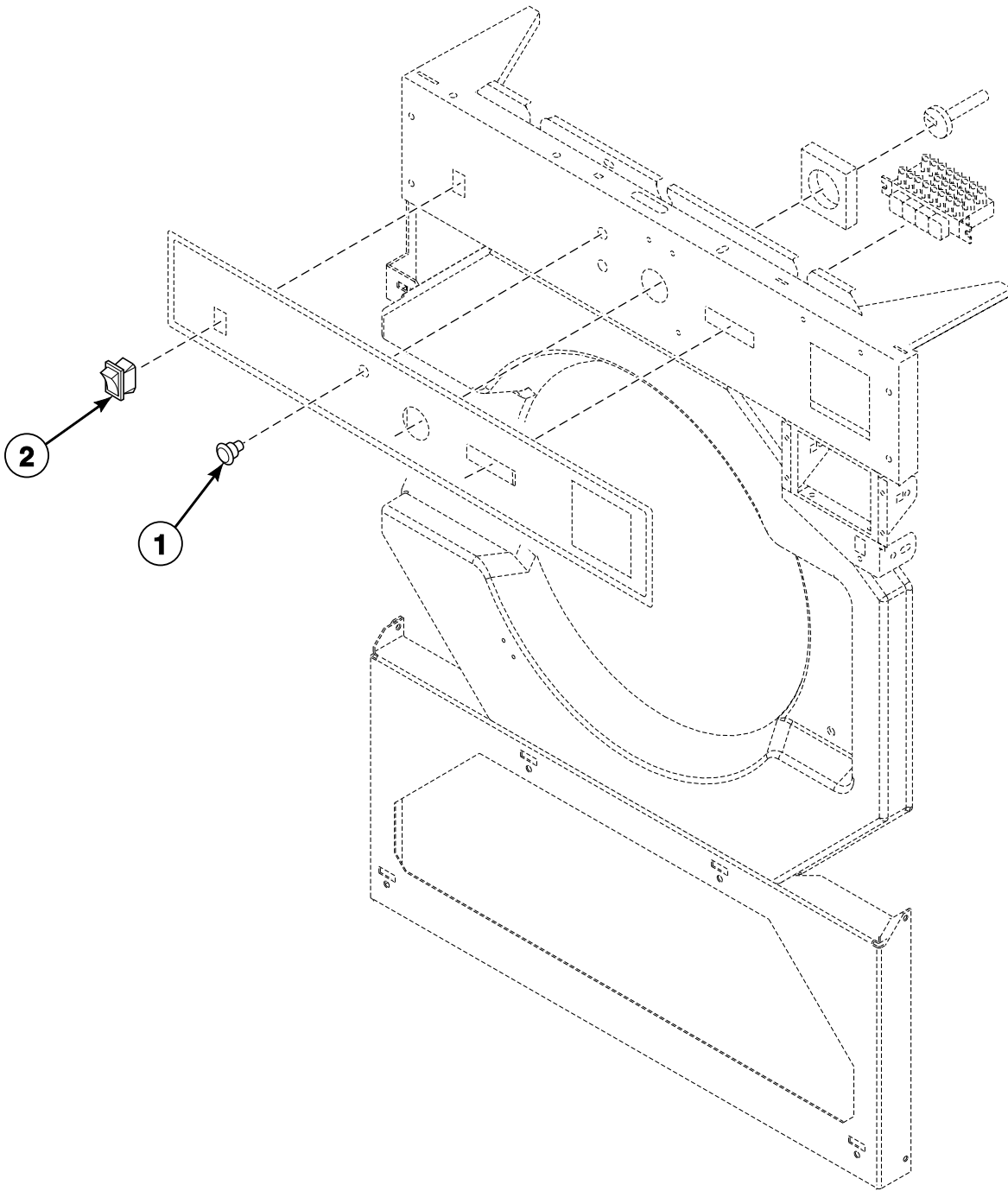
CHM2506P_F232189

Control Panel Decal

REF	PART NO.	DESCRIPTION	COMMENTS
	F730016P	Start/Stop Kit	
1	F231476	Control Panel Decal	SC20 coin models; English
	F231577	Control Panel Decal	SC25 coin models; English
	F0231620-00	Control Panel Decal	SC20 and SC25 coin models; Icon
	F231477	Control Panel Decal	SC30 coin models; English
	N/A	Control Panel Decal	SC30 coin models; Icon
	F0231599-31	Control Panel Decal	SC40 coin models; English
	F0231590-31	Control Panel Decal	SC40 coin models; Icon
	F231479	Control Panel Decal	SC50 coin models; English
	F200021241	Control Panel Decal	SC50 and SC60 coin models; Icon
	F200017941	Control Panel Decal	SC60 coin models; English
	F231472	Control Panel Decal	Model SC20MN2; English
	N/A	Control Panel Decal	Model SC20MN2; Icon
	F231473	Control Panel Decal	Model SC30MN2; English
	N/A	Control Panel Decal	Model SC30MN2; Icon
	F0231599-32	Control Panel Decal	Model SC40MN2; English
	F0231600-32	Control Panel Decal	Model SC40MN2; Icon
	F231475	Control Panel Decal	Models SC50MN2 and SC60MN2; English
	N/A	Control Panel Decal	Models SC50MN2 and SC60MN2; Icon
	N/A	Control Panel Decal	UC20 coin models; Danish
	F0231499-00	Control Panel Decal	Model UC20MN2; Icon
	F0231617-00	Control Panel Decal	Model UC20MN2; English
	N/A	Control Panel Decal	Model UC20MN2; Icon
	F0231619-01	Control Panel Decal	Models UC30ML2 and UC30MX2; Danish
	F0231609-00	Control Panel Decal	Model UC30MN2; English
	F0231622-00	Control Panel Decal	Model UC30MN2; Icon
	F0231592-32	Control Panel Decal	Model UC40MN2; English
	F231488	Control Panel Decal	Model UC50MN2; English
	F200021141	Control Panel Decal	Models UC50MN2 and UC60MN2; Icon
	F200020941	Control Panel Decal	Model UC60MN2; English
	F231541	Control Panel Decal	HC20 and HC25 coin models; English
	F200185511	Control Panel Decal	HC20 and HC25 coin models; Icon
	F231542	Control Panel Decal	HC30 coin models; English
	F200185521	Control Panel Decal	HC30 coin models; Icon
	F0231597-31	Control Panel Decal	HC40 coin models; English
	F200185531	Control Panel Decal	HC40 coin models; Icon
	F231544	Control Panel Decal	HC50 and HC60 coin models; English
	F200185541	Control Panel Decal	HC50 and HC60 coin models; Icon
	F231537	Control Panel Decal	Model HC20MN2; English
	F231538	Control Panel Decal	Model HC30MN2; English
	F0231597-32	Control Panel Decal	Model HC40MN2; English
	F231540	Control Panel Decal	Models HC50MN2 and HC60MN2; English

N/A = Part no longer available

Momentary Switch and Light

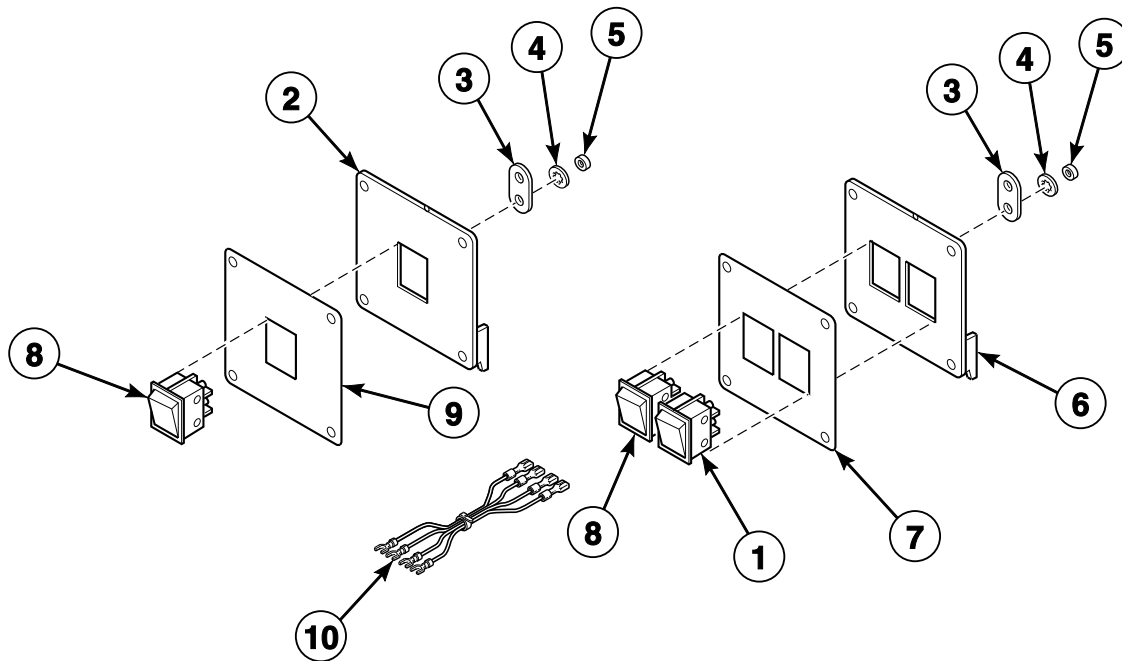


CHM2507P_F232189

Momentary Switch and Light

REF	PART NO.	DESCRIPTION	COMMENTS
1	F350430	Light	Clear; 120 Volt
	F350431	Light	Clear; 220 Volt
	F350411	Light	Amber; 120 Volt
	F350413	Light	Amber; 220 Volt
	F350420	Light	Green; 120 Volt
	F350422	Light	Green; 220 Volt
	2	F340412	Momentary Switch
F200120100		Momentary Switch	Models starting 5/26/04

Switch Assembly - ML, MN, MX and MY Models



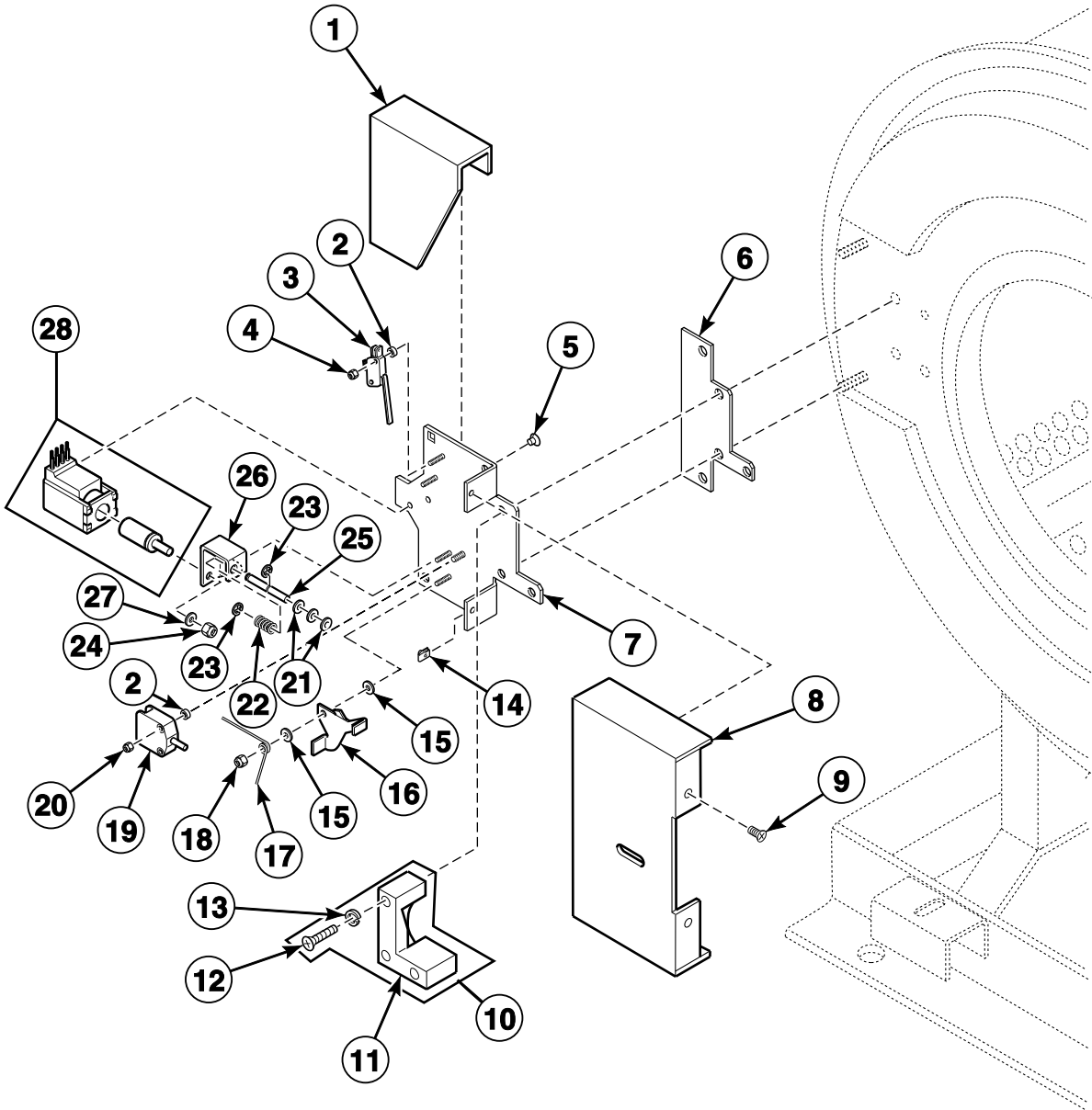
CHM2473P_F232189

Switch Assembly - ML, MN, MX and MY Models

REF	PART NO.	DESCRIPTION	COMMENTS
	F200120500	Start Assembly	HC MN models; English; Includes items 1, 3 and 5-8
	F200120100	Momentary Switch	SC and UC MN models; Icon; Includes items 1, 3 and 5-8
	N/A	Start Assembly	SC MN models; Icon; Includes items 1, 3-8 and wire harness
	N/A	Start Assembly	UC MN models; Icon; Includes items 1, 3-8 and wire harness
	F063686700	Start Assembly	SC and UC ML and MX models; 120 Volt; Includes items 2-5 and 8-10; D, E, F, J, O and Y-voltage
	F063686701	Start Assembly	SC and UC MX and MY models; 220 Volt; Includes items 2-5 and 8-10; B and C-voltage
	F063686702	Start Assembly	HC MX and MY models; 120 Volt; Includes items 2-5 and 8-10; D, E, F, J, O and Y-voltage
	F063686703	Start Assembly	HC MX and MY models; 220 Volt; Includes items 2-5 and 8-10; B and C-voltage
1	F340411	Rocker Switch	Red
2	F633098	Switch Plate Sub-Assembly	ML, MX and MY models
3	F601515	Clip	
4	F430311	Washer	
5	F430232	Nut	
6	F633092-1	Switch Plate Sub-Assembly	MN models
7	F230918-2	Switch Panel Decal	SC MN models
	F230918	Switch Panel Assembly Decal	UC MN models
	N/A	Switch Panel Decal	UC MN models; Icon
	F231448	Switch Panel Decal	HC MN models
8	F340412	Momentary Switch	Models through 5/25/04
	F200120100	Momentary Switch	Models starting 5/26/04
9	F0231615-01	Remote Pay Icon Decal	SC and UC ML, MX and MY models
	F0231615-00	Remote Pay Icon Decal	HC ML, MX and MY models
10	F200120300	Remote Pay Harness	ML and MY models; Wire harness style; D, E, F, J, O and Y-voltage
	F200120301	Remote Pay Harness	ML and MY models; Wire harness style; B and C-voltage

N/A = Part no longer available

Door Lock - MD, ML, MX and MY Models

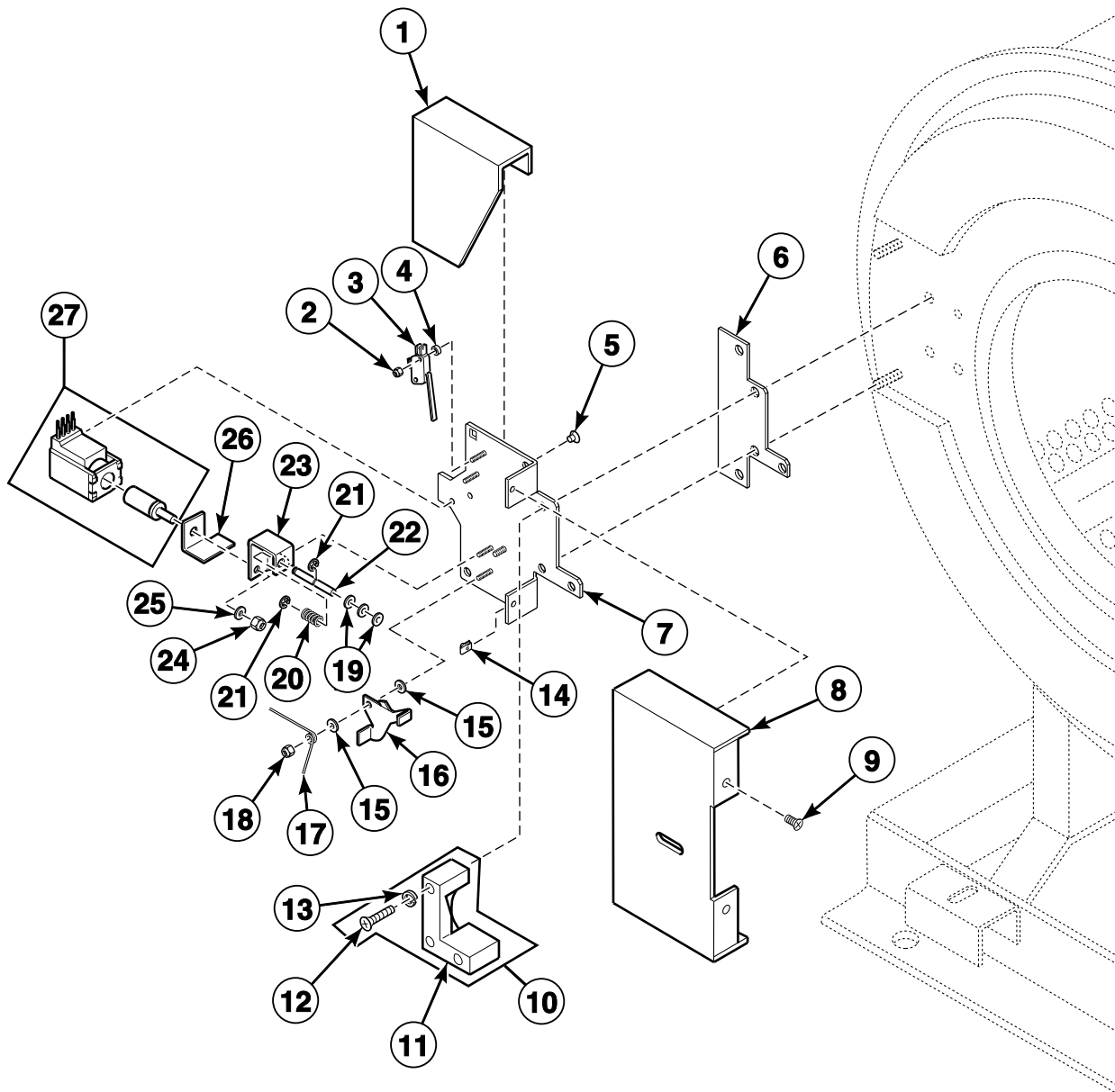


CHM2880P_F232189

Door Lock - MD, ML, MX and MY Models

REF	PART NO.	DESCRIPTION	COMMENTS
	F0636698-06P	Door Lock Assembly	Includes items 2-5, 7, 14-27 and F634301 Door Lock Wire Harness
	F634301	Door Lock Wire Harness	
1	F320200	Door Lock Splash Shield	
2	F431901	Spacer	Nylon
3	F200203200	Door Lock Microswitch	
4	F430225	Nut	Nylon
5	F430977	Screw	
6	F8059701	Door Lock Plate Shim	
7	F0636676-00	Door Lock Plate Sub-Assembly	
8	F603003	Door Lock Assembly Cover	
9	F430956	Screw	
10	F746808	L-Catch Kit	Includes items 11-13
11	F150261	Door Lock Catch Casting	
12	F430982	Screw	
13	F431100	Washer	
14	F430264	Nut	
15	F431902	Washer	Nylon
16	F0636636-00	Door Lock Switch Lever	
17	F310110	Door Lock Torsion Spring	
18	F430232	Nut	Nylon
19	F340200	Door Switch	
20	F430231	Nut	
21	F431147	Washer	
22	F310137	Door Lock Pin Release Spring	
23	F310205	E-Ring Retainer	
24	F431017	Nut	
25	F431231	Door Locking Linkage Pin	
26	F150455	Door Lock Pin Linkage	
27	F431123	Washer	
28	F300124P	Solenoid	Includes harness

Door Lock - MN Models

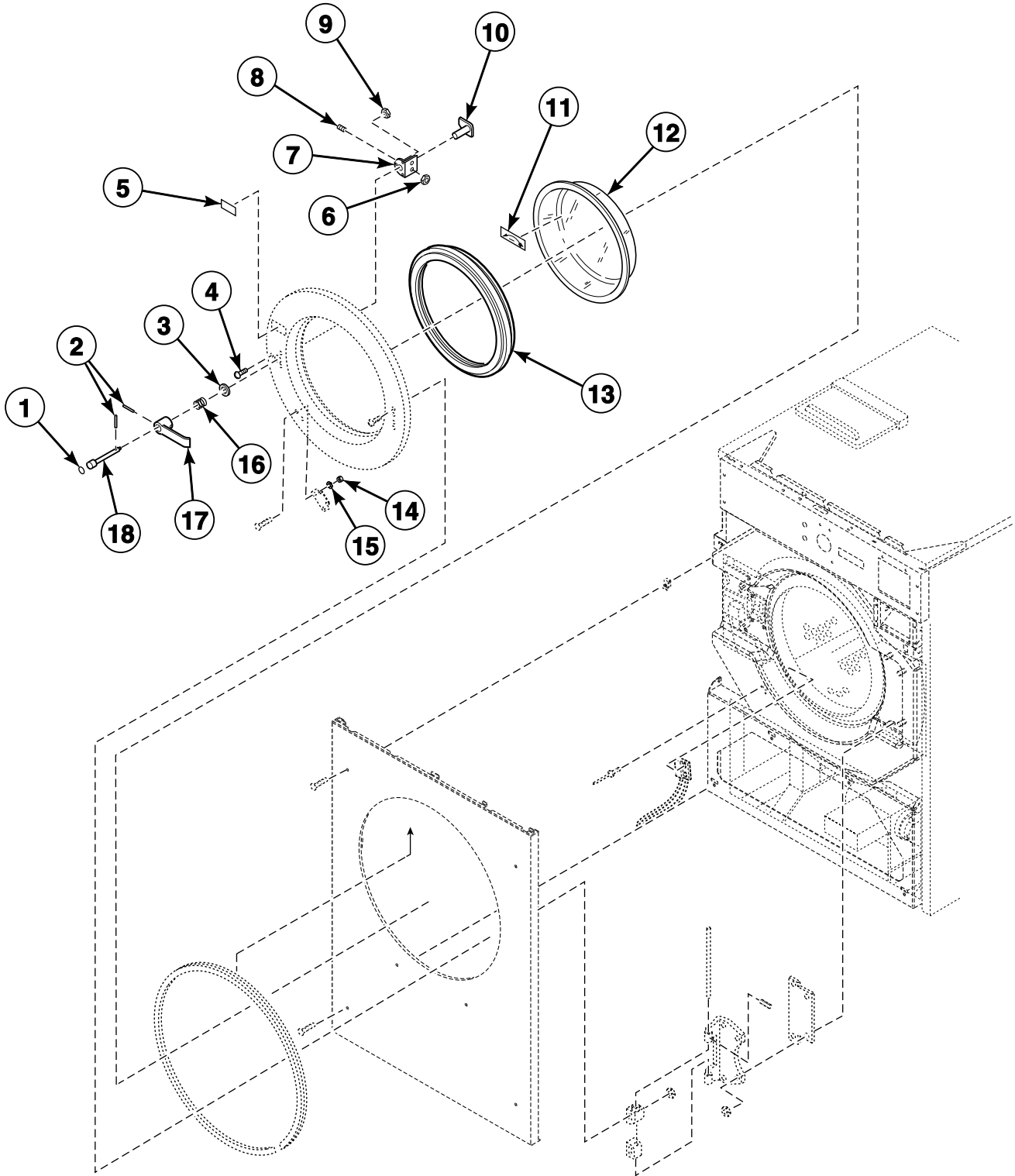


CHM2881P_F232189

Door Lock - MN Models

REF	PART NO.	DESCRIPTION	COMMENTS
	F0798839-00	Door Lock Kit	120 Volt; Includes items 2-5, 7 and 14-27
	F0798839-01	Door Lock Kit	220 Volt; Includes items 2-5, 7 and 14-27
1	F320200	Door Lock Splash Shield	
2	F431901	Spacer	
3	F200203200	Door Lock Microswitch	
4	F430225	Nut	
5	F430977	Screw	
6	F8059701	Door Lock Plate Shim	
7	F8066701	Door Lock Plate Assembly	
8	F603003	Door Lock Assembly Cover	
9	F430956	Screw	
10	F746808	L-Catch Kit	Includes items 11-13
11	F150261	Door Lock Catch Casting	
12	F430982	Screw	
13	F431100	Washer	
14	F430264	Nut	
15	F431902	Washer	
16	F0636636-00	Door Lock Switch Lever	
17	F310110	Door Lock Torsion Spring	
18	F430232	Nut	
19	F431147	Washer	
20	F310137	Door Lock Pin Release Spring	
21	F310205	E-Ring Retainer	
22	F431231	Door Locking Linkage Pin	
23	F150455	Door Lock Pin Linkage	
24	F431017	Nut	
25	F431123	Washer	
26	F0636103-00	Door Lock Retainer Latch	
27	F300128P	Door Release Solenoid	120 Volt
	F0300131-00P	Door Lock Solenoid	220 Volt

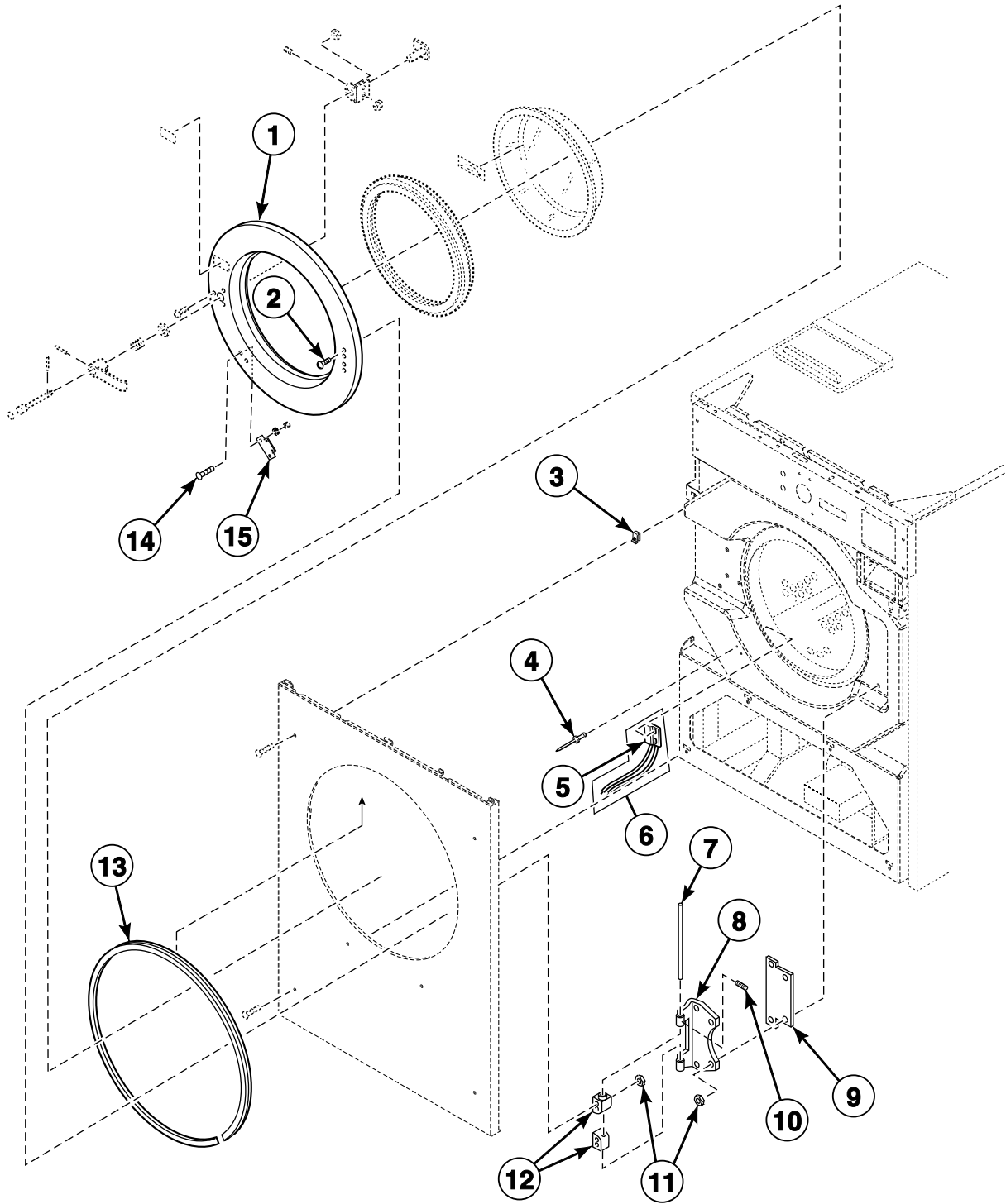
Door (Drawing 1 of 2)



Door (Drawing 1 of 2)

REF	PART NO.	DESCRIPTION	COMMENTS
1	F230662	Red Dot Decal	
2	F431222	Spring Pin	
3	F431916	Washer	
4	F430976	Screw	
5	F230661	Push Red Button Decal	
6	F431041	Nut	
7	F0150273-00	Door Spacer	
8	F430532	Screw	HC20, HC25, SC20, SC25 and UC20 models
	F430533	Screw	HC30, HC40, HC50, HC60, SC30, SC40, SC50, SC60, UC30, UC40, UC50 and UC60 models
9	F430232	Nut	
10	F730155	Door Handle Kit	Includes items 1, 2, 7 and 16-17
11	F230693	Counterclockwise Spin Rotation Decal	English
	F230914	Spin Rotation Decal	Universal
12	F290205P	Door Glass Kit	HC20, HC25, SC20, SC25 and UC20 models
	F290207P	Door Glass Kit	HC30, SC30 and UC30 models
	F290208P	Door Glass	HC40, HC50, HC60, SC40, SC50, SC60, UC40, UC50 and UC60 models
13	F200000200	Door Gasket	HC20, HC25, SC20, SC25 and UC20 models; Gray
	F200000202	Door Gasket	HC20, HC25, SC20, SC25 and UC20 models; Black
	F017012302	Door Gasket	HC30, SC30 and UC30 models; Black
	F017012402	Door Gasket	HC40, HC50, HC60, SC40, SC50, SC60, UC40, UC50 and UC60 models; Black
	F170123	Door Gasket	HC30, SC30 and UC30 models; Gray
	F170124	Door Gasket	HC40, HC50, HC60, SC40, SC50, SC60, UC40, UC50 and UC60 models; Gray
14	F431022	Nut	
15	F431113	Washer	
16	F310125	Door Lock Spring	
17	F150225	Door Handle	
18	F320300	Pushbutton Rod	

Door (Drawing 2 of 2)



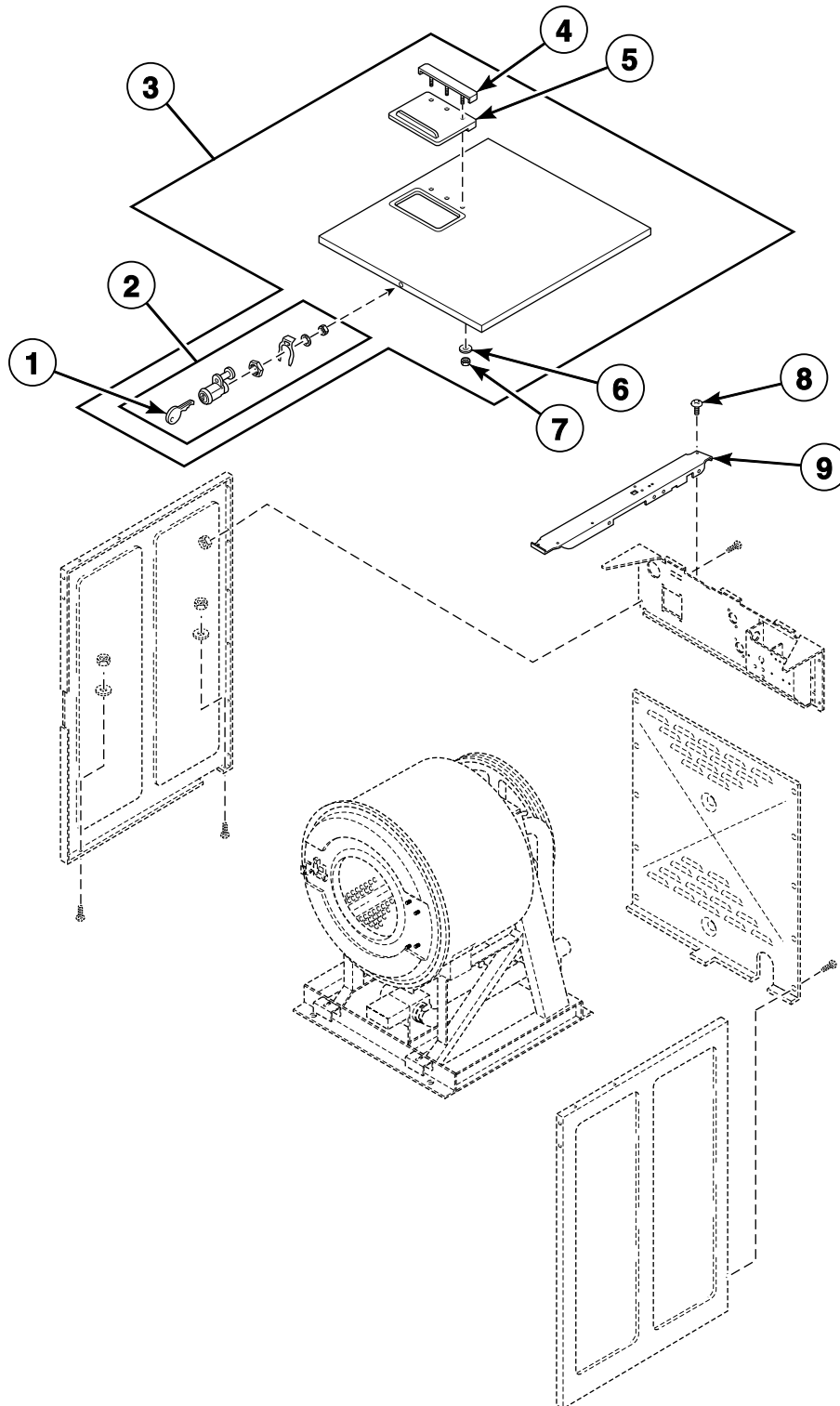
CHM3003P_F232189

Door (Drawing 2 of 2)

REF	PART NO.	DESCRIPTION	COMMENTS
	F604079-4	Door Assembly	HC20, HC25, SC20 and SC25 coin models; Includes items 1-2, 7-8, 10-12 and items 1-18 on <i>Door (Drawing 1 of 2)</i> ; Gray door gasket
	F8150301	Door Assembly	HC20, HC25, SC20 and SC25 coin models; Includes items 1-2, 7-8, 10-12 and items 1-18 on <i>Door (Drawing 1 of 2)</i> ; Black door gasket
	F604079-5	Door Assembly	Models HC20MN2, SC20MN2 and UC20MN2; Includes items 1-2, 7-8, 10-12 and items 1-18 on <i>Door (Drawing 1 of 2)</i> ; Gray door gasket
	F603239-4	Door Assembly	HC30 and SC30 coin models; Includes items 1-2, 7-8, 10-12 and items 1-18 on <i>Door (Drawing 1 of 2)</i> ; Gray door gasket
	F8150401	Door Assembly	HC30 and SC30 coin models; Includes items 1-2, 7-8, 10-12 and items 1-18 on <i>Door (Drawing 1 of 2)</i> ; Black door gasket
	F060323905	Door Assembly	Models HC30MN2, SC30MN2 and UC30MN2; Includes items 1-2, 7-8, 10-12 and items 1-18 on <i>Door (Drawing 1 of 2)</i> ; Gray door gasket
	F603901-4	Door Assembly	HC40, HC50, HC60, SC40, SC50 and SC60 coin models; Includes items 1-2, 7-8, 10-12 and items 1-18 on <i>Door (Drawing 1 of 2)</i> ; Gray door gasket
	F8150501	Door Assembly	HC40, HC50, HC60, SC40, SC50 and SC60 coin models; Includes items 1-2, 7-8, 10-12 and items 1-18 on <i>Door (Drawing 1 of 2)</i> ; Black door gasket
	F060390105	Door Assembly	Models HC40MN2, HC50MN2, HC60MN2, SC40MN2, SC50MN2, SC60MN2, UC40MN2, UC50MN2 and UC60MN2; Includes items 1-2, 7-8, 10-12 and items 1-18 on <i>Door (Drawing 1 of 2)</i> ; Gray door gasket
1	N/A	Door	HC20, HC25, SC20 and SC25 models
	F602837-1	Door	HC30 and SC30 models
	F602842-2	Door	HC40, HC50, HC60, SC40, SC50, SC60, UC40, UC50 and UC60 models
2	F430969	Bolt	
3	F430264	Nut	Tinnerman
4	F8245101	Blind Rivet	Models starting 8/11/08
	J1111905	Blind Rivet	Models through 8/10/08
5	F0340723-00	Magnetic Switch	
6	F200321200	Magnetic Switch Assembly	
7	F602813-2	Rod	HC20, HC25, HC30, SC20, SC25, SC30, UC20 and UC30 models
	F602813-3	Rod	HC40, HC50, HC60, SC40, SC50, SC60, UC40, UC50 and UC60 models
8	F190216P	Door Hinge	
9	F200131000P	Door Hinge Shim Kit	As required
10	F430536	Screw	
11	F430215	Nut	
12	F150271	Door Mount	
13	F015050100P	Trim	Models through 4/29/08; F8142701 Adhesive required for installation
14	F430916	Screw	
15	F8390801	Magnet	OPL models and CE coin models

N/A = Part no longer available

Panels (Drawing 1 of 2)



CHM3086P_F232189

Panels (Drawing 1 of 2)

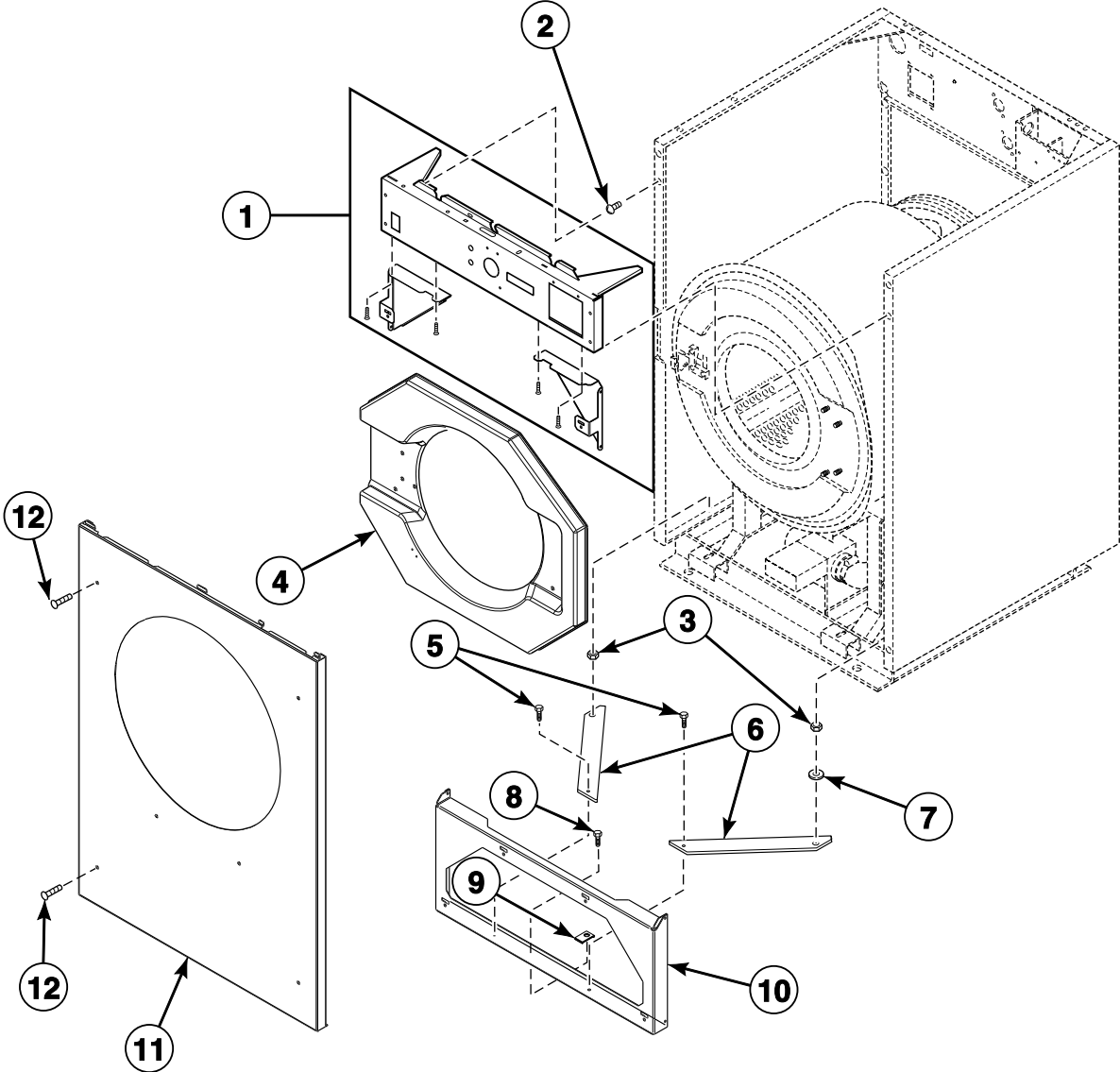
REF	PART NO.	DESCRIPTION	COMMENTS
1	70155603	Key	RL003
2	F0190808-00P	Lid Lock Pin	RL003
3	F063618900P	Top Cover Assembly	HC20, SC20 and UC20 models; Includes items 2 and 4-7
	F063659800P	Top Cover Assembly	HC25 and SC25 models; Includes items 2 and 4-7
	F063652000P	Top Cover Assembly	HC30, SC30 and UC30 models; Includes items 2 and 4-7
	F063664000P	Top Cover Assembly	HC40, SC40 and UC40 models; Includes items 2 and 4-7
	F063632700	Top Cover Assembly	HC50, SC50 and UC50 models; Includes items 2 and 4-7
	F063771200P	Top Cover Assembly	HC60, SC60 and UC60 models; Includes items 2 and 4-7
4	F630430	Lid Clamp Assembly	
5	F200270500	Supply Dispenser Lid	Gray
6	F431147	Washer	
7	F431024	Nut	
8	F430174	Screw	
9	F0636131-00	Cabinet Brace	HC20, SC20 and UC20 models
	F0636596-00	Cabinet Brace	HC25 and SC25 models
	F0636518-00	Cabinet Brace	HC30, SC30 and UC30 models
	F0636218-00	Cabinet Brace	HC40, SC40 and UC40 models
	F0636320-00	Cabinet Brace	HC50, SC50 and UC50 models
	F0637632-00	Cabinet Brace	HC60, SC60 and UC60 models

Panels (Drawing 2 of 2)

REF	PART NO.	DESCRIPTION	COMMENTS	
1	F430925	Screw		
2	F0636138-00	Valve Panel Assembly	HC20, HC25, SC20, SC25 and UC20 models; Standard	
	F0636138-01	Valve Panel Assembly	HC20, HC25, SC20, SC25 and UC20 models; With heat	
	F0636521-00	Valve Panel Assembly	HC30, SC30 and UC30 models; Standard	
	F0636521-01	Valve Panel Assembly	HC30, SC30 and UC30 models; With heat	
	F0636524-01	Valve Panel Assembly	HC40, SC40 and UC40 models; Standard	
	F0636524-03	Valve Panel Sub-Assembly	HC40, SC40 and UC40 models; With heat	
	F0636297-00	Valve Panel Assembly	HC50, HC60, SC50, SC60, UC50 and UC60 models; Standard	
	F0636297-01	Valve Panel Assembly	HC50, HC60, SC50, SC60, UC50 and UC60 models; With heat	
3	F757000	Rear Panel Kit	HC20, SC20 and UC20 models; Includes item 4	
	F757001	Rear Panel Kit	HC25 and SC25 models; Includes item 4	
	F0636321-00P	Rear Panel	HC30, SC30 and UC30 models	
	F0636220-00P	Rear Panel	HC40, SC40 and UC40 models	
	F757002	Rear Panel Kit	HC50, SC50 and UC50 models; Includes item 4	
	F200022900P	Rear Panel	HC60, SC60 and UC60 models	
4	F430174	Screw		
	5	F0636135-00P	Right Side Panel	HC20, SC20 and UC20 models; Stainless steel
		F0636594-00P	Right Side Panel	HC25 and SC25 models; Stainless steel
		F0636515-00P	Side Panel	Right; HC30, SC30 and UC30 models; Stainless steel
		F0635981-00P	Side Panel	Right; HC40, SC40 and UC40 models; Stainless steel
		F0636300-00P	Side Panel	Right; HC50, SC50 and UC50 models; Stainless steel
		F0637630-00P	Side Panel	Right; HC60, SC60 and UC60 models; Stainless steel
		F8157301P	Right Side Panel	HC20, SC20 and UC20 models; Vinyl
		F8156601	Right Side Panel	HC25 and SC25 models; Vinyl
		F8155501P	Right Side Panel	HC30, SC30 and UC30 models; Vinyl
		F8155701P	Right Side Panel	HC40, SC40 and UC40 models; Vinyl
		F8160001	Right Side Panel	HC50, SC50 and UC50 models; Vinyl
		F8160301P	Right Side Panel	HC60, SC60 and UC60 models; Vinyl
6	F430107	Screw		
7	M400056	Screw		
8	F0636136-00P	Left Side Panel	HC20, SC20 and UC20 models; Stainless steel	
	F0636595-00P	Left Side Panel	HC25 and SC25 models; Stainless steel	
	F0636516-00P	Side Panel	Left; HC30, SC30 and UC30 models; Stainless steel	
	F0635982-00P	Side Panel	Left; HC40, SC40 and UC40 models; Stainless steel	
	F0636299-00	Side Panel	Left; HC50, SC50 and UC50 models; Stainless steel	
	F0637628-00P	Side Panel	Left; HC60, SC60 and UC60 models; Stainless steel	
	F8157401P	Left Side Panel	HC20, SC20 and UC20 models; Vinyl	
	F8156701	Left Side Panel	HC25 and SC25 models; Vinyl	
	F8155601P	Left Side Panel	HC30, SC30 and UC30 models; Vinyl	
	F8155901P	Left Side Panel	HC40, SC40 and UC40 models; Vinyl	
	F8159901	Left Side Panel	HC50, SC50 and UC50 models; Vinyl	
	F8160101P	Left Side Panel	HC60, SC60 and UC60 models; Vinyl	
9	F0430348-00	Washer		
10	F431024	Nut		
11	F430233	Nut		
12	N/A	Washer		

N/A = Part no longer available

Inner and Outer Front Panels - MN and MY Models



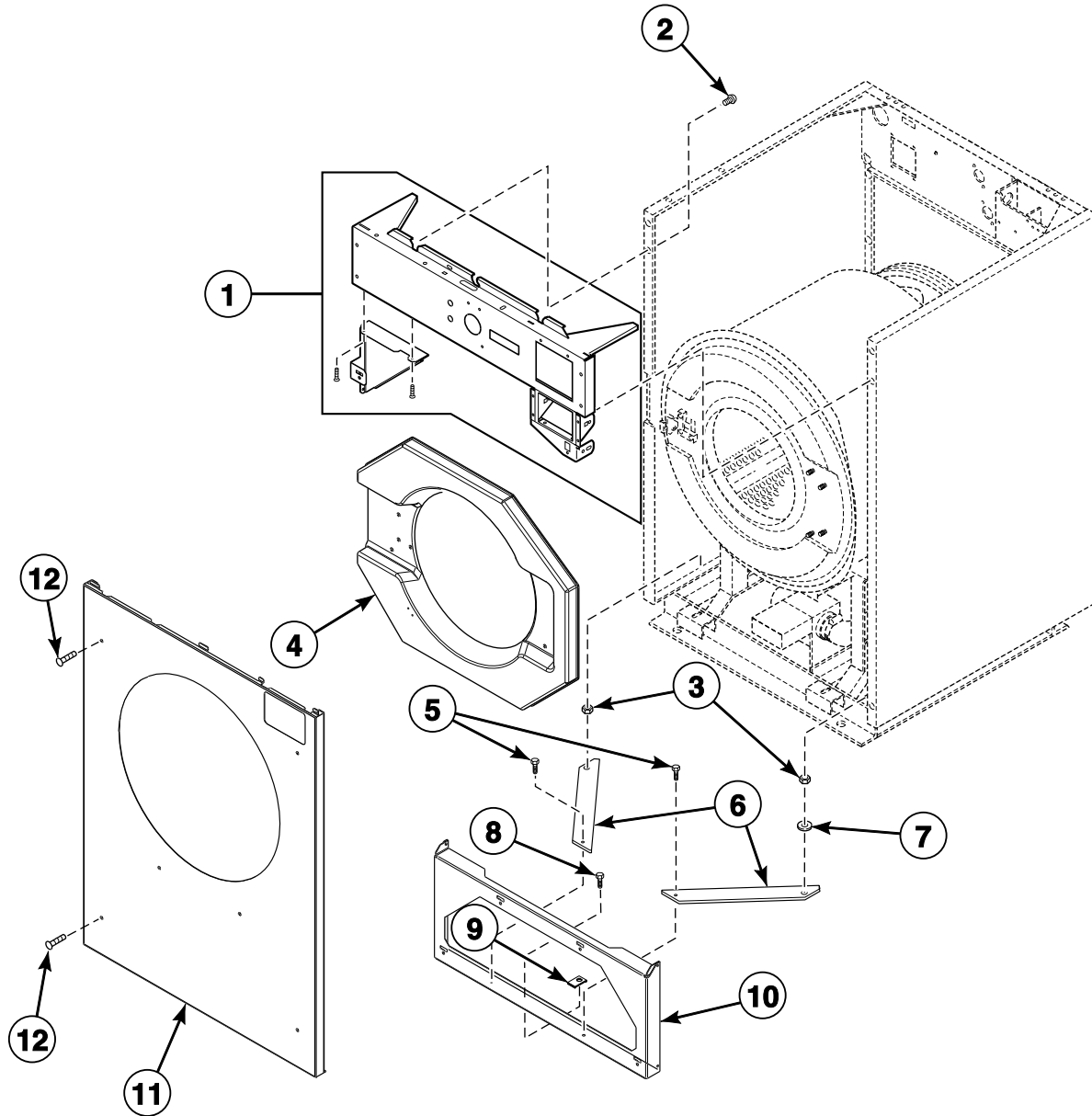
CHM2915P_F232189

Inner and Outer Front Panels - MN and MY Models

REF	PART NO.	DESCRIPTION	COMMENTS
1	F0636957-00	Control Panel Assembly	HC20, SC20 and UC20 models
	F0636960-01	Control Panel Assembly	HC30, SC30 and UC30 models
	F0636582-01	Control Panel Assembly	HC40, SC40 and UC40 models
	F0636962-01	Control Panel Assembly	HC50, HC60, SC50, SC60, UC50 and UC60 models
2	F0432320-00	T-Bolt Fastener	
3	F430233	Nut	HC40, SC40 and UC40 models
4	F170416-1	Door Bezel	SC20 and UC20 models
	F170416-2	Door Bezel	HC20 models
	F170417-1	Door Bezel	SC30, SC40, UC30 and UC40 models
	F170417-2	Door Bezel	HC30 models
	F0170426-00	Door Bezel	SC40, SC50, SC60, UC40, UC50 and UC60 models
	F0170426-10	Door Bezel	HC40, HC50 and HC60 models
5	F430174	Screw	HC40, SC40 and UC40 models
6	F200168900	Cabinet Corner Stiffener	HC40, SC40 and UC40 models
7	N/A	Washer	HC40, SC40 and UC40 models
8	F430174	Screw	
9	F430264	Nut	
10	F634800	Cabinet Brace	HC20, SC20 and UC20 models
	F634801	Cabinet Brace	HC30, SC30 and UC30 models
	F0636217-00	Cabinet Brace	HC40, SC40 and UC40 models
	F634803P	Cabinet Brace	HC50, HC60, SC50, SC60, UC50 and UC60 models
11	F8200302P	Front Panel	HC20, SC20 and UC20 models; Stainless steel
	N/A	Front Panel	HC20, SC20 and UC20 models; Almond
	N/A	Front Panel	HC20, SC20 and UC20 models; White
	F8200402P	Front Panel	HC30, SC30 and UC30 model; Stainless steel
	F634666-2	Front Panel	HC30, SC30 and UC30 models; Almond
	F634666-5	Front Panel	HC30, SC30 and UC30 models; White
	F8200502P	Front Panel	HC40, SC40 and UC40 models; Stainless steel
	N/A	Front Panel	HC40, SC40 and UC40 models; White
	F8200602P	Front Panel	HC50, HC60, SC50, SC60, UC50 and UC60 models; Stainless steel
	N/A	Front Panel	HC50, HC60, SC50, SC60, UC50 and UC60 models; Almond
N/A	Front Panel	HC50, HC60, SC50, SC60, UC50 and UC60 models; White	
12	F430956	Screw	

N/A = Part no longer available

Inner and Outer Front Panels - MD, ML and MX Models



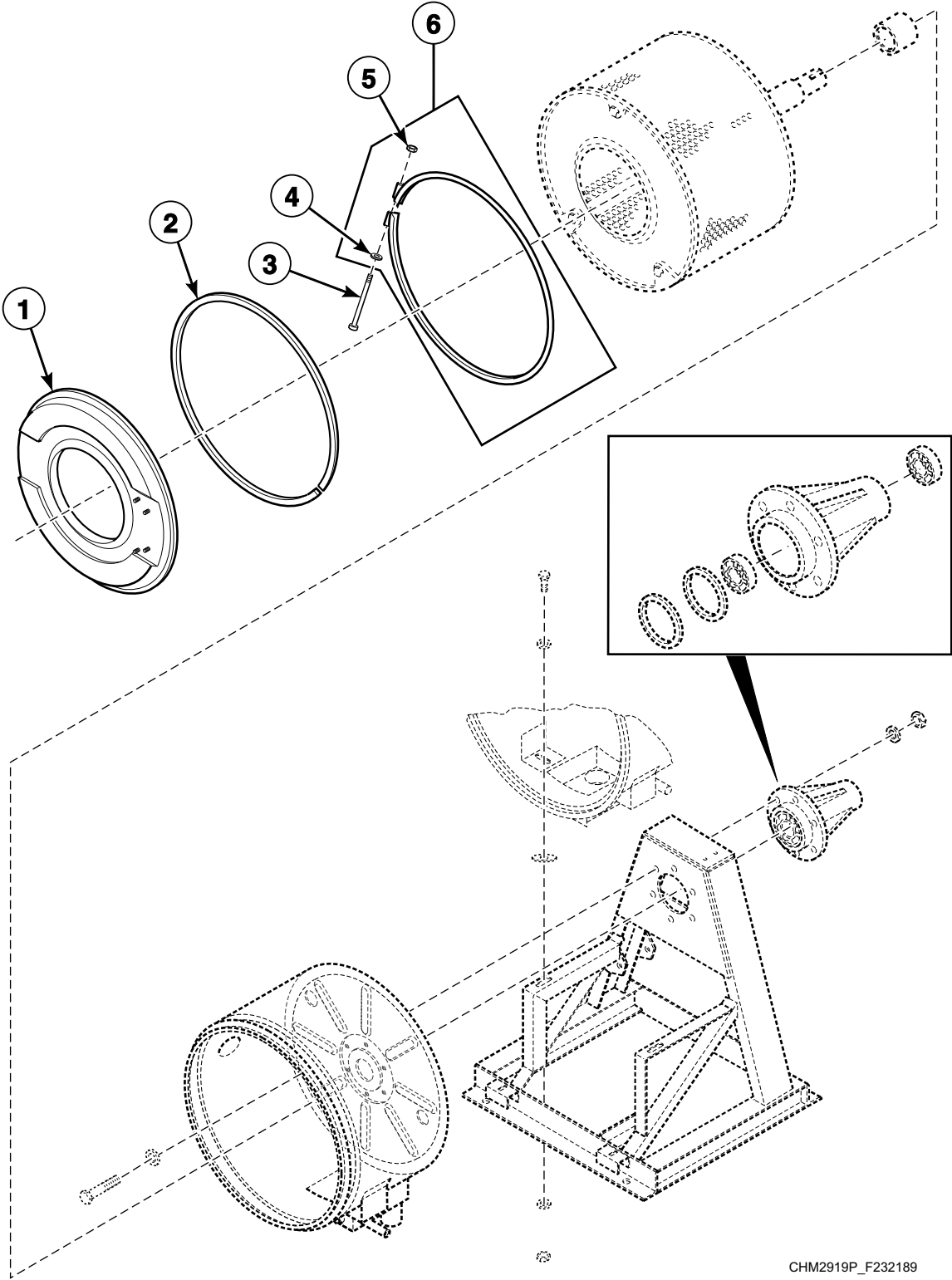
CHM2916P_F232189

Inner and Outer Front Panels - MD, ML and MX Models

REF	PART NO.	DESCRIPTION	COMMENTS
1	F0636957-00	Control Panel Assembly	HC20, HC25, SC20 and SC25 models
	F0636960-00P	Control Panel Assembly	HC30 and SC30 models
	F0636582-00	Control Panel Assembly	HC40 and SC40 models
	F0636962-00	Control Panel Assembly	HC50, HC60, SC50 and SC60 models
2	F0432320-00	T-Bolt Fastener	
3	F430233	Nut	HC40 and SC40 models
4	F170416-1	Door Bezel	SC20 and SC25 models
	F170416-2	Door Bezel	HC20 and HC25 models
	F170417-1	Door Bezel	SC30 models
	F170417-2	Door Bezel	HC30 models
	F0170426-00	Door Bezel	SC40, SC50 and SC60 models
	F0170426-10	Door Bezel	HC40, HC50 and HC60 models
5	F430174	Screw	HC40 and SC40 models
6	F200168900	Cabinet Corner Stiffener	HC40 and SC40 models
7	N/A	Washer	HC40 and SC40 models
8	F430174	Screw	
9	F430264	Nut	
10	F634800	Cabinet Brace	HC20, HC25, SC20 and SC25 models
	F634801	Cabinet Brace	HC30 and SC30 models
	F0636217-00	Cabinet Brace	HC40 and SC40 models
	F634803P	Cabinet Brace	HC50, HC60, SC50 and SC60 models
11	F8200301P	Front Panel	HC20 and SC20 models; Stainless steel
	F634682-2	Front Panel	HC20 and SC20 models; Almond
	F634682-5	Front Panel	HC20 and SC20 models; White
	F634682-6	Front Panel	HC20 and SC20 models; Orange
	F8200302P	Front Panel	HC25 and SC25 models; Stainless steel
	N/A	Front Panel	HC25 and SC25 models; Almond
	N/A	Front Panel	HC25 and SC25 models; White
	F634836-6	Front Panel	HC25 and SC25 models; Orange
	F8200401P	Front Panel	HC30 and SC30 models; Stainless steel
	N/A	Front Panel	HC30 and SC30 models; Almond
	N/A	Front Panel	HC30 and SC30 models; White
	F8200501P	Front Panel	HC40 and SC40 models
	F8200601P	Front Panel	HC50, HC60, SC50 and SC60 models; Stainless steel
	N/A	Front Panel	HC50, HC60, SC50 and SC60 models; Almond
	N/A	Front Panel	HC50, HC60, SC50 and SC60 models; White
N/A	Front Panel	HC50, HC60, SC50 and SC60 models; Orange	
12	F430956	Screw	

N/A = Part no longer available

Basket, Shell, Frame and Trunnion (Drawing 1 of 4)

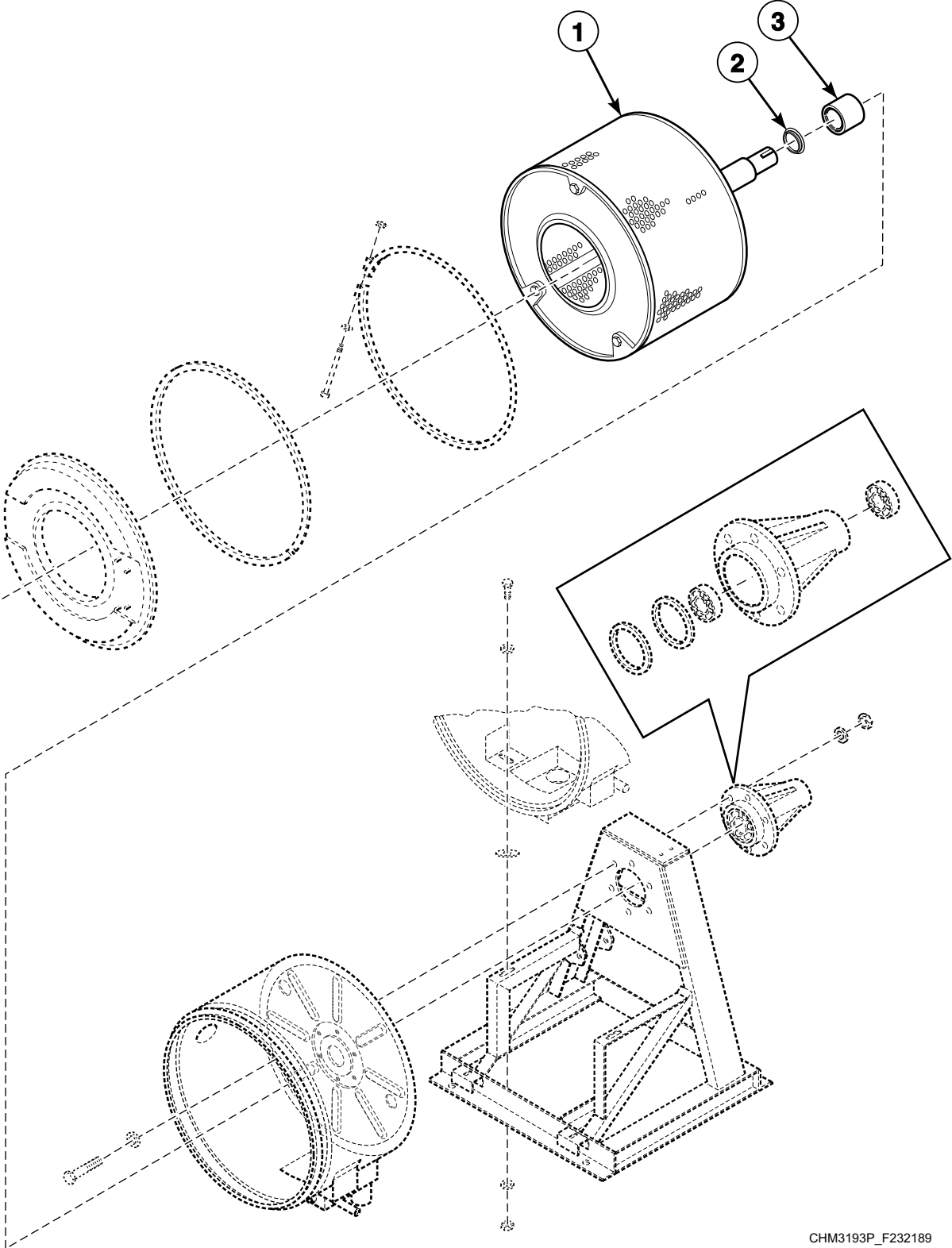


CHM2919P_F232189

Basket, Shell, Frame and Trunnion (Drawing 1 of 4)

REF	PART NO.	DESCRIPTION	COMMENTS
1	F741300P	Shell Front Kit	HC20, HC25, SC20, SC25 and UC20 models; Includes item 6
	F632006P	Shell Front Assembly	HC30, SC30 and UC30 models; Includes item 6
	F0636283-00P	Shell Front Assembly	HC40, SC40 and UC40 models
	F741302-01	Shell Front Kit	HC50, HC60, SC50, SC60, UC50 and UC60 models; Includes item 6
2	F792000	Shell Front Gasket Kit	
3	F430518	Screw	
4	F430317	Washer	
5	F430215	Nut	
6	F741700	Shell Band Kit	HC20, HC25, SC20, SC25 and UC20 models; Includes items 4 and 5
	F631977	Shell Band Assembly	HC30, SC30 and UC30 models; Includes items 4 and 5
	F741701	Shell Band Kit	HC40, SC40 and UC40 models; Includes items 4 and 5
	F741702	Shell Band Kit	HC50, HC60, SC50, SC60, UC50 and UC60 models; Includes items 4 and 5

Basket, Shell, Frame and Trunnion (Drawing 2 of 4)

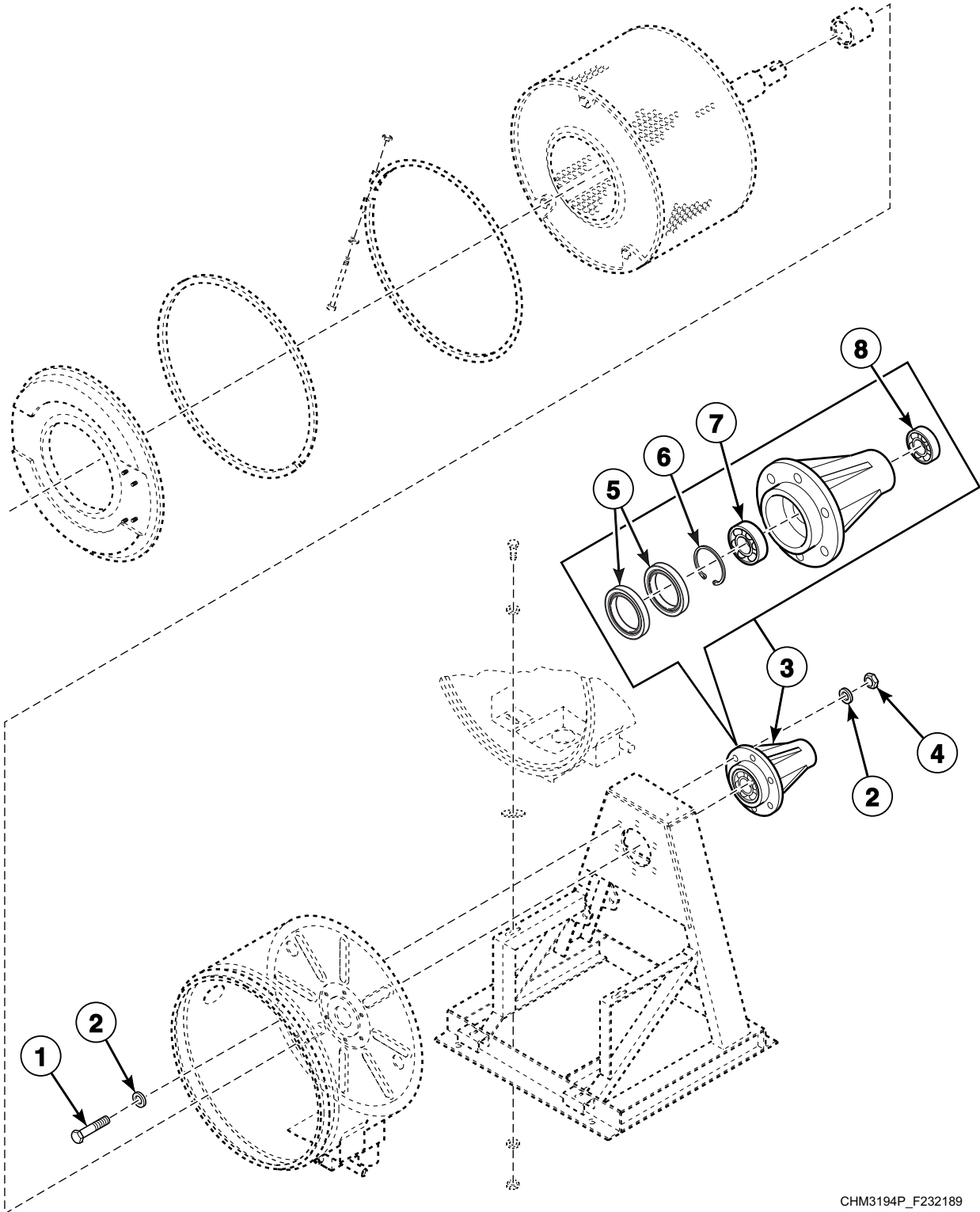


CHM3193P_F232189

Basket, Shell, Frame and Trunnion (Drawing 2 of 4)

REF	PART NO.	DESCRIPTION	COMMENTS
	389P4	Basket Tool Kit	Use with Pressfit Upgrade Kits F935P3, F936P3, F938P3 and F942P3
	390P4	Basket Rental Tool Kit	Use with Pressfit Upgrade Kits F935P3, F936P3, F938P3 and F942P3
1	F935P3	Pressfit Upgrade Kit	HC20, SC20 and UC20 models; Includes items 2 and 3, F8347801 Basket Assembly and F747001 Trunnion Kit
	F8347801P	Basket Assembly	HC20, SC20 and UC20 models; Models that have been upgraded with F935P3 Pressfit Upgrade Kit; Includes items 2 and 3
	F8123601P	Basket Assembly	HC25 and SC25 models; Includes item 3
	F936P3	Pressfit Upgrade Kit	HC30, SC30 and UC30 models; Includes items 2 and 3, F8347901 Basket Assembly and F747002 Trunnion Kit
	F8347901P	Basket Assembly	HC30, SC30 and UC30 models; Models that have been upgraded with F936P3 Pressfit Upgrade Kit; Includes items 2 and 3
	F938P3	Pressfit Upgrade Kit	HC40, SC40 and UC40 models; Includes items 2 and 3, F8336301P Basket Assembly and F747003 Trunnion Kit
	F8336301P	Basket Assembly	HC40, SC40 and UC40 models; Models that have been upgraded with F938P3 Pressfit Upgrade Kit; Includes items 2 and 3
	F942P3	Pressfit Upgrade Kit	HC50, SC50 and UC50 models; Includes items 2 and 3, F8338401 Basket Assembly and F747005 Trunnion Kit
	F8438401	Basket Assembly	HC50, SC50 and UC50 models; Models that have been upgraded with F942P3 Pressfit Upgrade Kit; Includes items 2 and 3
	F603900-1	Basket Assembly	HC50, SC50 and UC50 models; Includes item 3
	F939P3	Pressfit Upgrade Kit	HC60, SC60 and UC60 models; Includes items 2 and 3, F8336501P Basket Assembly and F747005 Trunnion Kit
	F8336501P	Basket Assembly	HC60, SC60 and UC60 models; Models that have been upgraded with F939P3 Pressfit Upgrade Kit; Includes items 2 and 3
2	F8336801	Excluder Seal	HC20, SC20 and UC20 models; Models that have been upgraded with F935P3 Pressfit Upgrade Kit
	F8336901	Excluder Seal	HC30, SC30 and UC30 models; Models that have been upgraded with F936P3 Pressfit Upgrade Kit
	F8337001	Excluder Seal	HC40, SC40 and UC40 models; Models that have been upgraded with F938P3 Pressfit Upgrade Kit
	F8337101	Excluder Seal	HC60, SC60 and UC60 models; Models that have been upgraded with F939P3 Pressfit Upgrade Kit
3	F8312001P	Shaft Seal Sleeve	HC25 and SC25 models
	F8312002P	Shaft Seal Sleeve	HC20, SC20 and UC20 models; Models through 11/6/06 that have not been upgraded with F935P3 Pressfit Upgrade Kit
	F8343901P	Shaft Seal Sleeve Kit	HC20, SC20 and UC20 models; Models that have been upgraded with F935P3 Pressfit Upgrade Kit
	F8343904P	Shaft Seal Sleeve Kit	HC30, SC30 and UC30 models
	F8312003P	Shaft Seal Sleeve	HC40, SC40 and UC40 models; Models through 10/14/07 that have not been upgraded with F938P3 Pressfit Upgrade Kit
	F8312005P	Shaft Seal Sleeve	HC40, SC40 and UC40 models; Models starting 10/15/07 through 3/31/08 that have not been upgraded with F938P3 Pressfit Upgrade Kit
	F8343906P	Shaft Seal Sleeve Kit	HC40, SC40 and UC40 models; Models that have been upgraded with F938P3 Pressfit Upgrade Kit
	F8312008P	Shaft Seal Sleeve	HC50, SC50 and UC50 models; Models that have not been upgraded with F942P3 Pressfit Upgrade Kit
	F8343909P	Shaft Seal Sleeve Kit	HC50, SC50 and UC50 models that have been upgraded with F942P3 Pressfit Upgrade Kit; HC60, SC60 and UC60 models

Basket, Shell, Frame and Trunnion (Drawing 3 of 4)

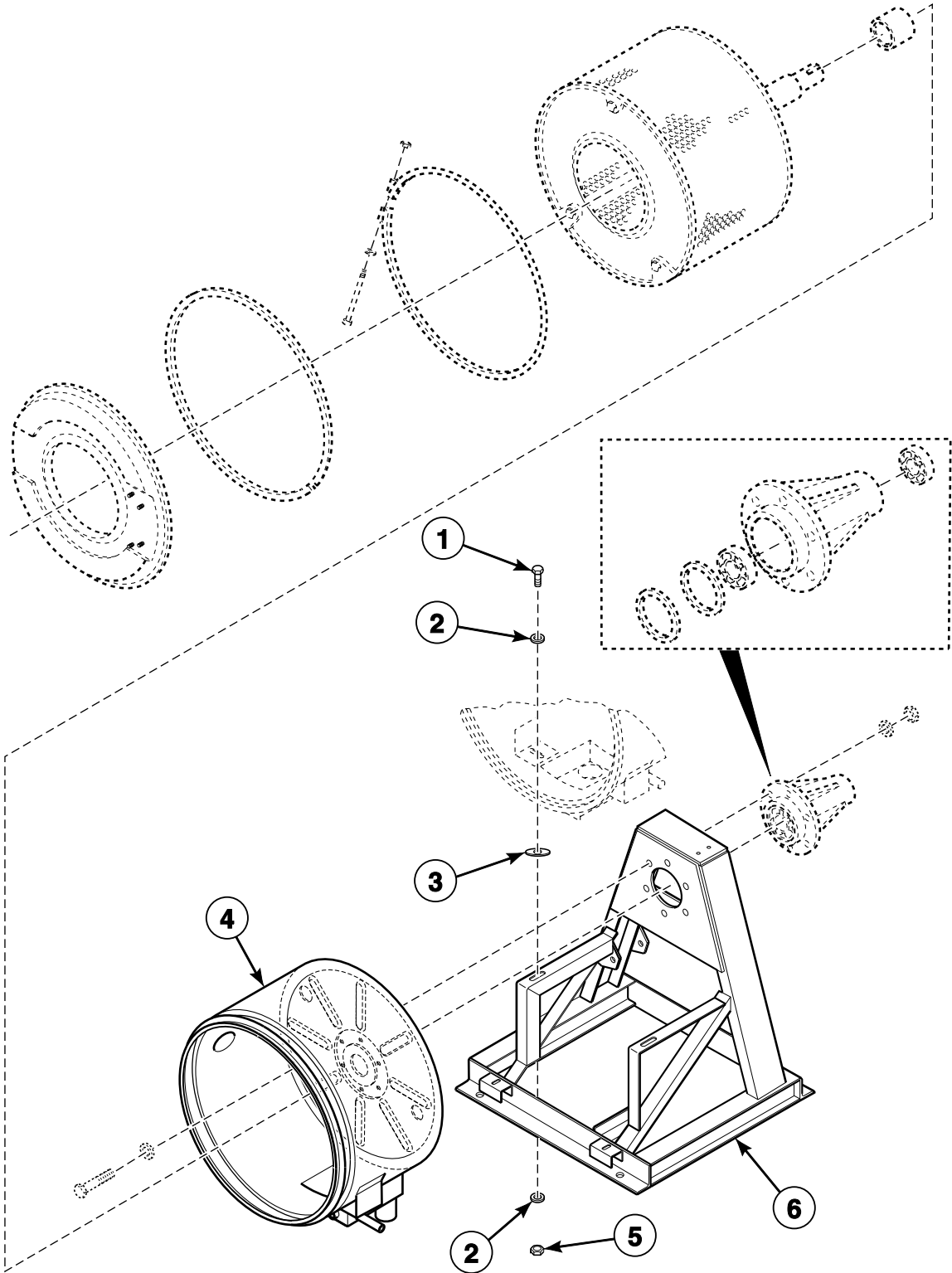


CHM3194P_F232189

Basket, Shell, Frame and Trunnion (Drawing 3 of 4)

REF	PART NO.	DESCRIPTION	COMMENTS
1	F430949	Screw	HC20, HC25, SC20, SC25 and UC20 models
	F430987	Screw	HC30, HC40, HC50, HC60, SC30, SC40, SC50, SC60, UC30, UC40, UC50 and UC60 models
2	F431128	Washer	HC20, HC25, HC30, SC20, SC25, SC30, UC20 and UC30 models
	F431131	Washer	HC40, HC50, HC60, SC40, SC50, SC60, UC40, UC50 and UC60 models
3	F747001	Trunnion Kit	HC20, SC20 and UC20 models that have been upgraded with F935P3 Pressfit Upgrade Kit; Models that have not been upgraded MUST order P935P3 Pressfit Upgrade Kit; HC25 and SC25 models; Includes items 1, 2, 4, 7, 8 and F792000 Shell Front Gasket Kit
	F747002	Trunnion Kit	HC30, SC30 and UC30 models; HC40, SC40 and UC40 models through 10/14/07; Includes items 1, 2, 4, 7, 8 and F792000 Shell Front Gasket Kit
	F747003	Trunnion Kit	HC40, SC40 and UC40 models; Models through 10/14/07 that have been upgraded with F938P3 Pressfit Upgrade Kit or models starting 10/15/07; Includes items 1, 2, 4, 7, 8 and F792000 Shell Front Gasket Kit
	F747004	Trunnion Kit	HC50, SC50 and UC50 models; Includes items 1, 2, 4, 7, 8 and F792000 Shell Front Gasket Kit
	F747005	Trunnion Kit	HC50, SC50 and UC50 models that have been upgraded with F942P3 Pressfit Upgrade Kit; HC60, SC60 and UC60 models; Includes items 1, 2, 4, 7, 8 and F792000 Shell Front Gasket Kit
4	F430239	Nut	HC20, HC25, HC30, SC20, SC25, SC30, UC20 and UC30 models
	F430240	Nut	HC40, HC50, HC60, SC40, SC50, SC60, UC40, UC50 and UC60 models
5	F100208	Shaft Seal	HC20, SC20 and UC20 models; Models through 11/6/06
	F8203801	Triple Lip Seal	HC20, SC20 and UC20 models
	F8203802	Triple Lip Seal	HC30, SC30 and UC30 models; HC40, SC40 and UC40 models with F747002 Trunnion Kit installed
	F8203803	Triple Lip Seal	HC40, SC40 and UC40 models with F747003 Trunnion Kit installed
	F8203805	Triple Lip Seal	HC50, SC50 and UC50 models
	F8203806	Triple Lip Seal	HC60, SC60 and UC60 models
6	F8344901	Retaining Ring	HC20, SC20 and UC20 models; Models that have been upgraded with F935P3 Pressfit Upgrade Kit
	F8345001	Retaining Ring	HC30, SC30 and UC30 models; Models that have been upgraded with F936P3 Pressfit Upgrade Kit
	F8337801	Retaining Ring	HC40, SC40 and UC40 models; Models that have been upgraded with F938P3 Pressfit Upgrade Kit
	F8337901	Retaining Ring	HC60, SC60 and UC60 models; Models that have been upgraded with F939P3 Pressfit Upgrade Kit
7	F100108	Bearing	6208 2RS C3; HC20, SC20 and UC20 models through 11/6/06; HC30, HC40, SC30, SC40, UC30 and UC40 models
	F100136P	Bearing	6307 2RS C3; HC20, SC20 and UC20 models; Models starting 11/7/06
	F100137P	Bearing	HC25 and SC25 models
	F100122	Bearing	6312 2RS C3; HC50, SC50 and UC50 models
	F100134	Bearing	6310 2RS C3; HC40, SC40 and UC40 models through 10/14/07 that have been upgraded with F938P3 Pressfit Upgrade Kit or models starting 10/15/07
	F100135	Bearing	6313 2RS C3; HC60, SC60 and UC60 models
8	F100109P	Motor Bearing	HC20, SC20 and UC20 models; Models through 11/6/06
	F100137P	Bearing	6308 2RS C3; HC20, SC20 and UC20 models starting 11/7/06; HC40, SC40 and UC40 models through 10/14/07 that have been upgraded with F938P3 Pressfit Upgrade Kit or models starting 10/15/07
	F100136P	Bearing	HC25 and SC25 models
	F100123P	Bearing	6309 2RS C3; HC30, HC40, HC50, SC30, SC40, SC50, UC30, UC40 and UC50 models
	F100134	Bearing	6310 2RS C3; HC60, SC60 and UC60 models

Basket, Shell, Frame and Trunnion (Drawing 4 of 4)

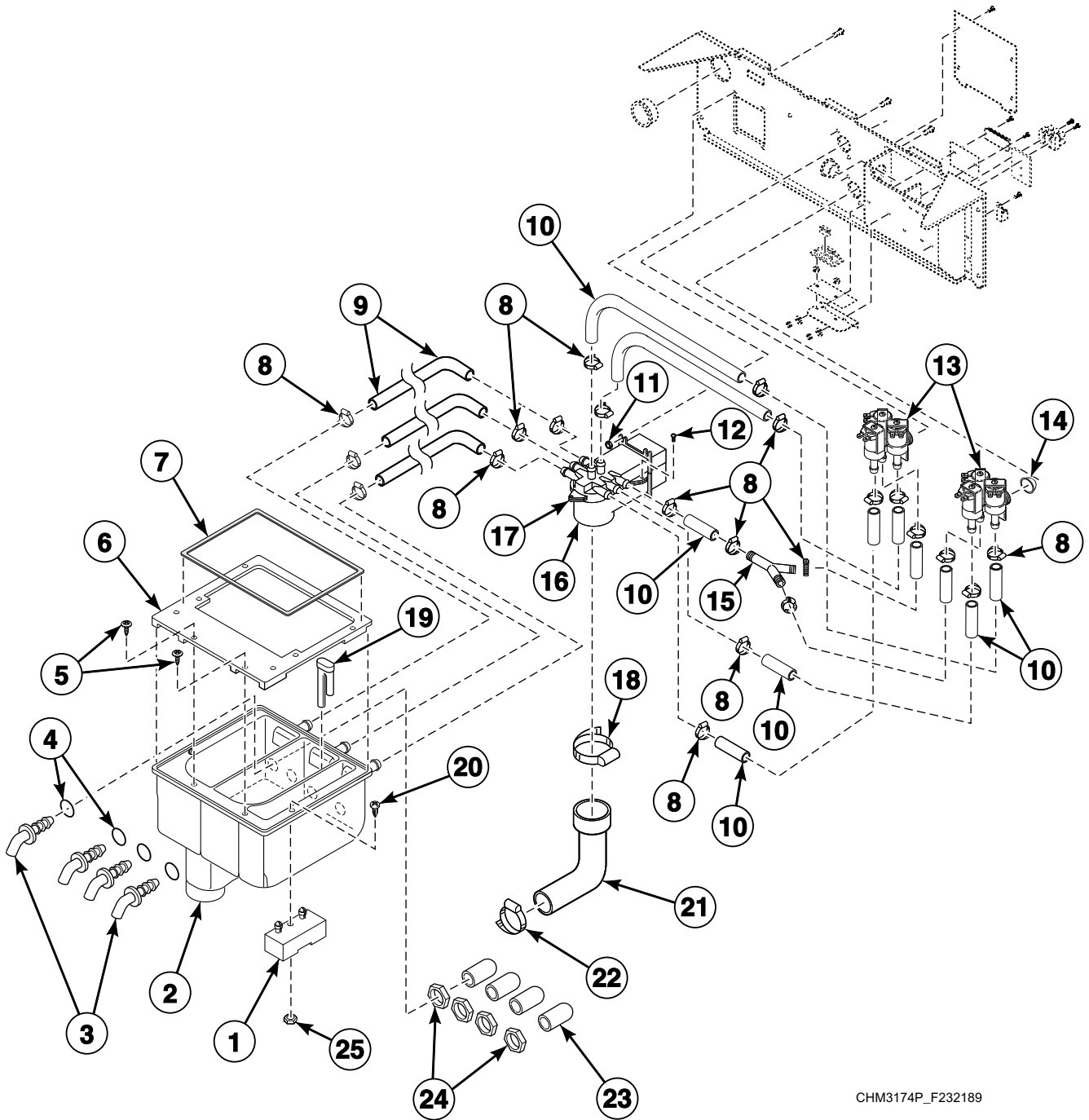


CHM2920PA_F232189

Basket, Shell, Frame and Trunnion (Drawing 4 of 4)

REF	PART NO.	DESCRIPTION	COMMENTS
1	F430942	Screw	
2	M400081	Washer	
3	F430303	Washer	HC50, SC50 and UC50 models
4	F063638801	Shell Weldment	HC20, SC20 and UC20 models; Standard
	F063659201	Shell Weldment	HC25 and SC25 models; Standard
	F0636555-00	Shell Weldment	HC30, SC30 and UC30 models; Standard
	F063597402P	Shell Weldment	HC40, SC40 and UC40 models; Standard
	F0636460-00	Shell Weldment	HC50, SC50 and UC50 models; Standard
	F0637659-00	Shell Weldment	HC60, SC60 and UC60 models; Standard
5	F430218	Nut	
6	F607003	Frame Assembly	HC20, SC20 and UC20 models
	F606178	Frame Assembly	HC25 and SC25 models
	F630232	Frame Assembly	HC30, SC30 and UC30 models
	F0636108-00	Frame Weldment	HC40, SC40 and UC40 models; Models through 1/25/05
	F200195300	Frame Weldment	HC40, SC40 and UC40 models; Models starting 1/26/05
	F607005	Frame Assembly	HC50, SC50 and UC50 models
	F0637645-00	Frame Assembly	HC60, SC60 and UC60 models

Fill Plumbing Assembly and External Supply Assembly (Drawing 1 of 2)



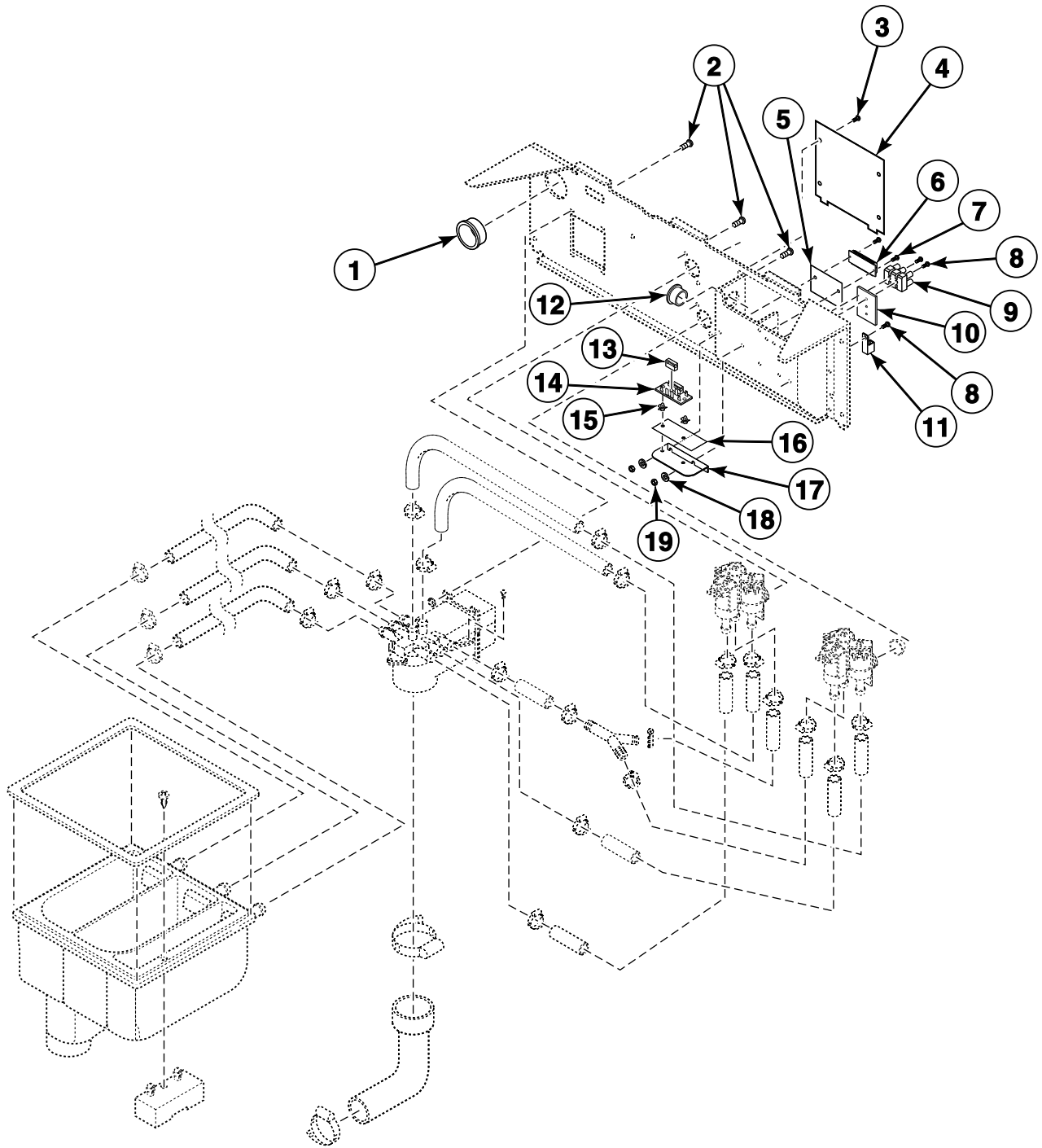
CHM3174P_F232189

Fill Plumbing Assembly and External Supply Assembly (Drawing 1 of 2)

REF	PART NO.	DESCRIPTION	COMMENTS
1	F0150504-00	Supply Dispenser Standoff	
2	F602374-3P	Supply Dispenser	
	F200202201	Supply Dispenser Assembly	Includes items 1, 5, 6 and 19
3	F8322001	Injection Nozzle	
	F730168	Injection Nozzle Kit	Includes items 4 and 24
4	F170208	O-Ring	
5	F430956	Screw	
6	F0150503-00	Supply Dispenser Bezel	
7	F0170190-00P	Bezel Gasket	
8	36801	Hose Clamp	No. 6
9	F0200244-01	Vacuum Breaker Hose	HC20, HC25, HC30, SC20, SC25, SC30, UC20 and UC30 models
	F0200244-00	Vacuum Breaker Hose	HC40, HC50, HC60, SC40, SC50, SC60, UC40, UC50 and UC60 models
10	F200108P	Water Hose	
11	F430231	Nut	
12	F430177	Screw	
13	F0381765-00P	3-Way Valve	Standard thread; Cold; 120 Volt
	F0381738-00P	3-Way Valve	Standard thread; Cold; 220 Volt
	F0381766-00P	3-Way Valve	Standard thread; Hot; 120 Volt
	F0381737-00P	3-Way Valve	Standard thread; Hot; 220 Volt
	F0381769-00P	3-Way Valve	Metric thread; Cold; 120 Volt
	F0381736-00P	3-Way Valve	Metric thread; Cold; 220 Volt
	N/A	3-Way Valve	Metric thread; Hot; 120 Volt
	F0381750-00P	3-Way Valve	Metric thread; Hot; 220 Volt
14	F270200	Strainer	
15	F422808	Y Connector	
16	F150330	Vacuum Breaker Bottom	
17	F0150329-00	Vacuum Breaker Top	
	F603031	Vacuum Breaker Assembly	Includes items 12 and 16
18	N/A	Hose Clamp	No. 48
19	F150390	Siphon Tube	
20	F0430268-00	Screw	
21	F150321	Vacuum Breaker Hose	HC20, HC30, HC40, SC20, SC30, SC40, UC20, UC30 and UC40 models
	F150372	Fill Hose	HC25 and SC25 models
	F150340	Vacuum Breaker Hose	HC50, SC50 and UC50 models; Without heat shell
	F0150340-01	Vacuum Breaker Fill Hose	HC50, SC50 and UC50 models with standard shell; HC60, SC60 and UC60 models
22	F200213	Hose Clamp	No. 40
23	F190303	Cap	
24	802292	Nut	
25	F0431807-00	Nut	

N/A = Part no longer available

Fill Plumbing Assembly and External Supply Assembly (Drawing 2 of 2)



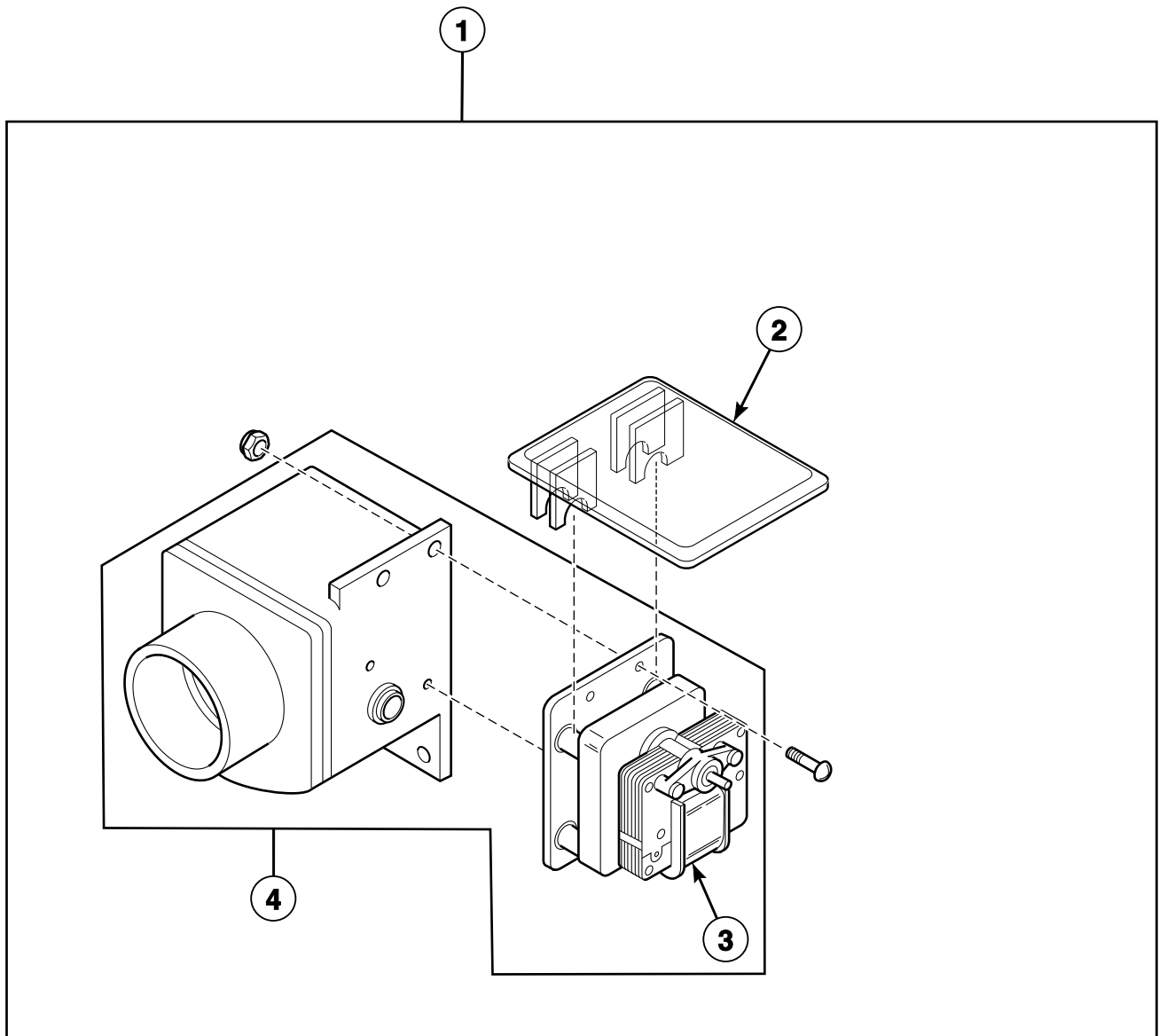
CHM2950P_F232189

Fill Plumbing Assembly and External Supply Assembly (Drawing 2 of 2)

REF	PART NO.	DESCRIPTION	COMMENTS
1	F200139500	Grommet	
2	F430948	Screw	
3	F430174	Screw	
4	F602533	Input Power Connection Box Cover	
5	F231376-5	External Supply Connection Decal	O and Y-voltage; 120 Volt
	F231376-6	External Supply Connection Decal	F and H-voltage; 120 Volt
	N/A	External Supply Connection Decal	D, E and J-voltage; O and Y-voltage 220 Volt
	F231376-3	External Supply Connection Decal	F and H-voltage; 220 Volt
	F231376-1	External Supply Connection Decal	B-voltage
	F231376-2	External Supply Connection Decal	C-voltage
6	F140766	Terminal	8 place
7	F430916	Screw	
8	F430903	Screw	
9	F140748	Input Power Block	2 terminal
	F140747	Input Power Block	3 terminal; Standard
	M413865	Terminal Block	3 terminal; Electric heat
10	F0230111-00	Input Power Block Insulator	
11	F140734	Ground Terminal Lug	
12	F170615	Grommet	Models through 6/29/05
	F140938	Snap Bushing	Models starting 6/30/05
13	F350115	Fuse	3 Amp; Models through 8/1/04
14	F0350312-10	Fuse Holder	Models through 8/1/04
15	F180506	Standoff	Models through 8/1/04
16	F231271	External Supply Fuse Decal	3 Amp
17	F633512	Fuse Holder Bracket	
18	F431113	Washer	
19	F431022	Nut	

N/A = Part no longer available

Drain Valve Assembly - 20, 25 and 30 Pound Capacity Machines

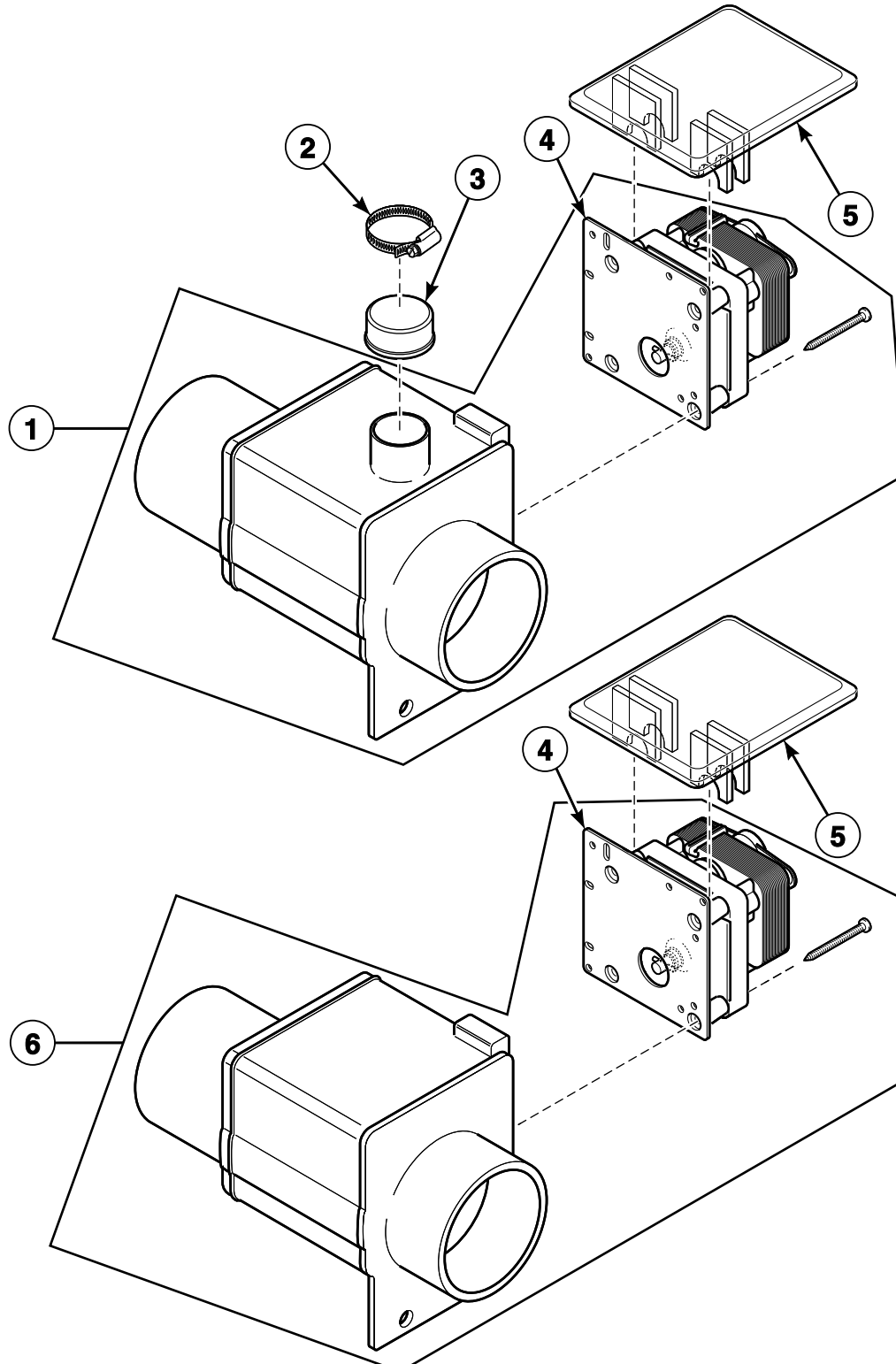


CHM2450P_F232189

Drain Valve Assembly - 20, 25 and 30 Pound Capacity Machines

REF	PART NO.	DESCRIPTION	COMMENTS
1	F602920	Drain Valve Assembly	120 Volt; Includes all items on the page, including the screw and nut
	F603175	Drain Valve Assembly	220 Volt; Includes all items on the page, including the screw and nut
2	F200133600	Drain Valve Cover	
3	F380932P	Drain Valve Motor	Round shaft; 120 Volt
	F380933P	Drain Valve Motor	Round shaft; 220 Volt
	F380943P	Drain Motor	Keyed shaft; 120 Volt
	G159764P	Drain Valve Motor and Gear Box Assembly	Keyed shaft; 220 Volt
	F380972P	Drain Valve Motor	Keyed shaft; 240 Volt
4	803293	Drain Valve	120 Volt; Includes item 3
	803292	Gravity Drain Valve	220 Volt; Includes item 3

Drain Valve Assembly - 40, 50 and 60 Pound Capacity Machines



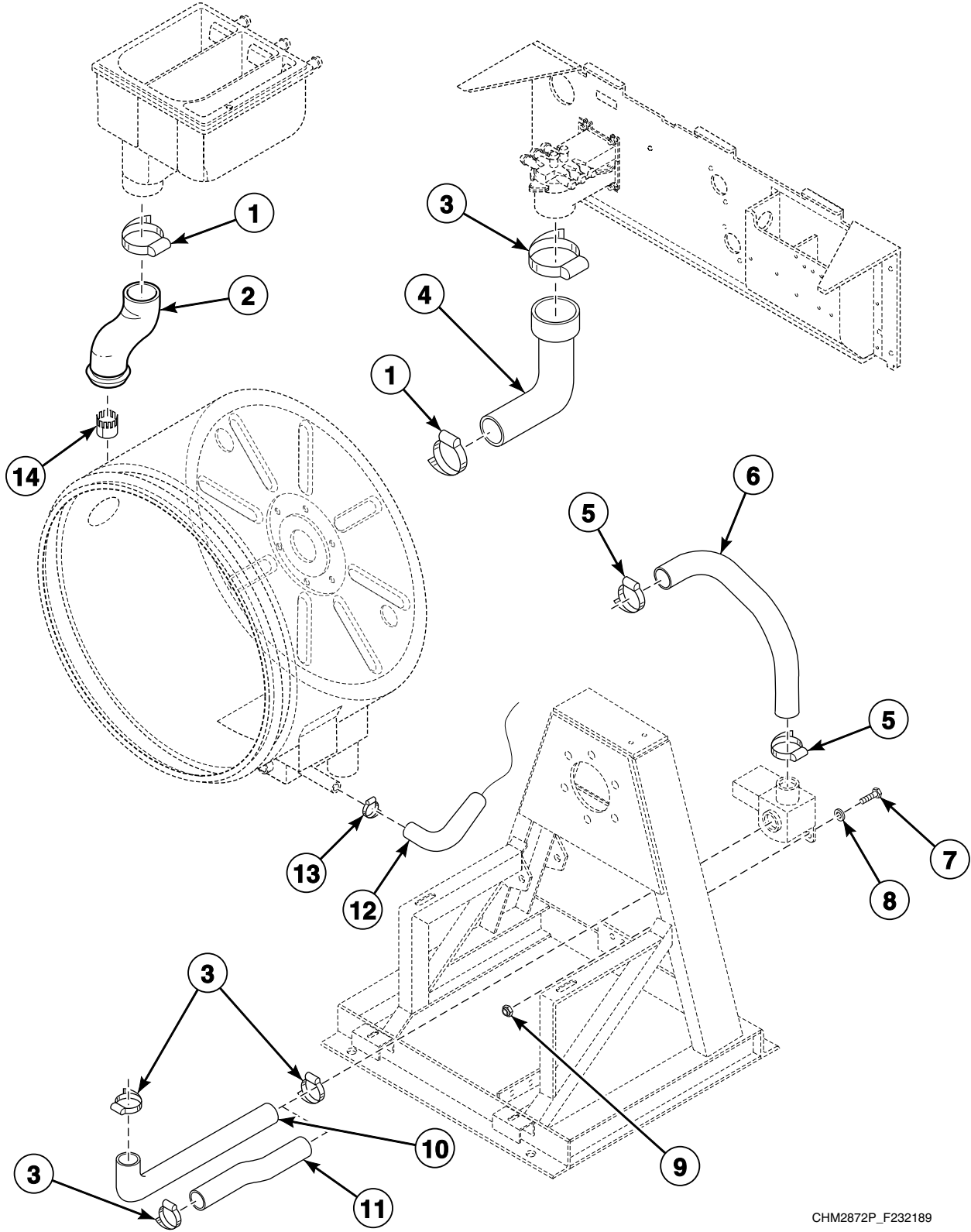
CHM2480P_F232189

Drain Valve Assembly - 40, 50 and 60 Pound Capacity Machines

REF	PART NO.	DESCRIPTION	COMMENTS
	F200166300	Drain Valve Kit	120 Volt; Includes items 1-5 and screw
	F200166400	Drain Valve Kit	220 Volt; Includes items 1-5 and screw
	F200166302	Drain Valve Kit	120 Volt; Includes items 4-6 and screw
	F200166402	Drain Valve Kit	220 Volt; Includes items 4-6 and screw
1	F038062800	Drain Valve	120 Volt; Includes item 4 and screw
	F038062900	Drain Valve	220 Volt; Includes item 4 and screw
2	F200215	Hose Clamp	No. 28
3	F150352	Overflow Plug	
4	F380932P	Drain Valve Motor	Round shaft; 120 Volt
	F380933P	Drain Valve Motor	Round shaft; 220 Volt
	F380943P	Drain Motor	Keyed shaft; 120 Volt
	G159764P	Drain Valve Motor and Gear Box Assembly	Keyed shaft; 220 Volt
	F380972P	Drain Valve Motor	Keyed shaft; 240 Volt
5	F200133600	Drain Valve Cover	
6	N/A	Drain Valve	120 Volt; Includes item 4 and screw
	N/A	Drain Valve	220 Volt; Includes screw and items 4 and 5

N/A = Part no longer available

Drain, Hoses and Air Trap - 50 and 60 Pound Capacity Machines with Heat Shell



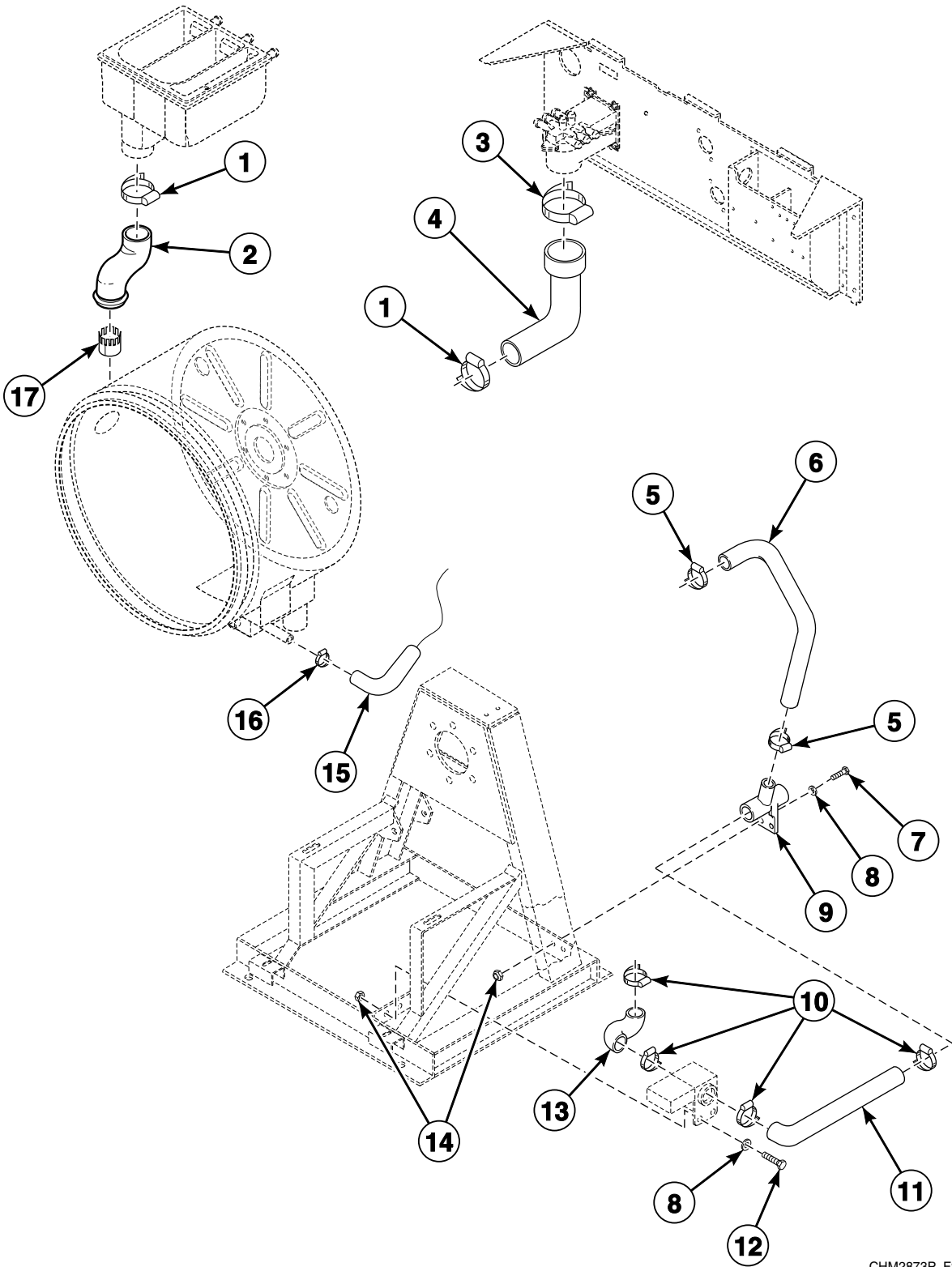
CHM2872P_F232189

Drain, Hoses and Air Trap - 50 and 60 Pound Capacity Machines with Heat Shell

REF	PART NO.	DESCRIPTION	COMMENTS
1	F200213	Hose Clamp	No. 40
2	F8071701	Supply Dispenser Hose	
3	N/A	Hose Clamp	No. 48
4	F0150340-01	Vacuum Breaker Fill Hose	
5	F200215	Hose Clamp	No. 28
6	F150332	Overflow Hose	
7	F430103	Screw	
8	F430317	Washer	
9	F430215	Nut	
10	F150356	Drain Hose	HC50, SC50 and UC50 models
11	F0150524-00	Sump Drain Hose	HC60, SC60 and UC60 models
12	F200142	Air Trap Hose	
13	F200222	Hose Clamp	No. 12
14	F150419	Supply Dispenser Baffle	Optional; Used to prevent water entering the supply dispenser during an extraction step

N/A = Part no longer available

Drain, Hoses and Air Trap - All Machines Except 50 and 60 Pound Capacity Machines with Heat Shell



CHM2873P_F232189

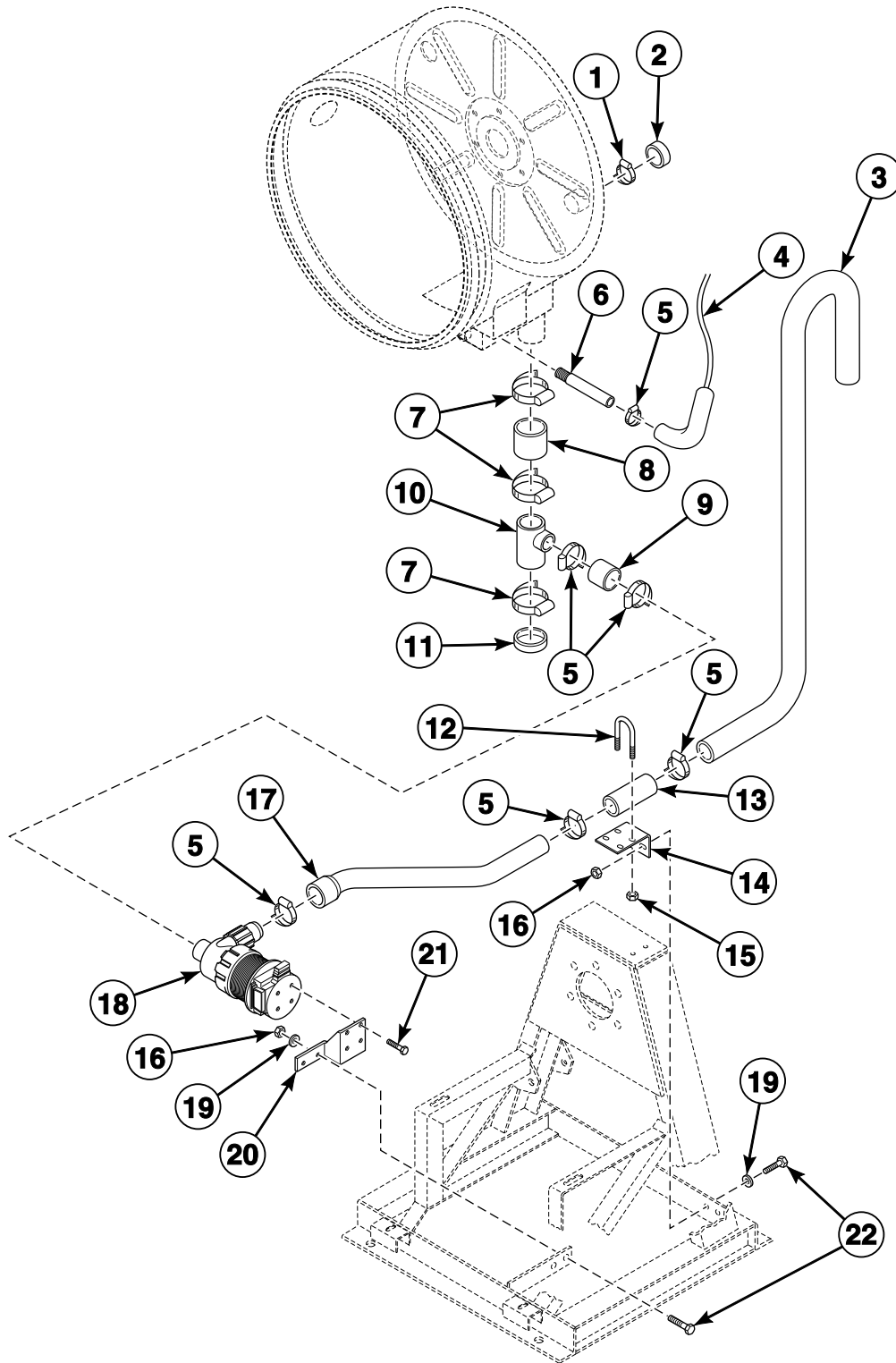
Drain, Hoses and Air Trap - All Machines Except 50 and 60 Pound Capacity Machines with Heat Shell

REF	PART NO.	DESCRIPTION	COMMENTS
1	F200213	Hose Clamp	No. 40
2	F8061601	Supply Dispenser Hose	HC25 and SC25 models
	F0200236-01	Supply Dispenser Hose	HC20, HC30, SC20, SC30, UC20 and UC30 models
	F8071701	Supply Dispenser Hose	HC40, HC50, HC60, SC40, SC50, SC60, UC40, UC50 and UC60 models
3	N/A	Hose Clamp	No. 48
4	F150321	Vacuum Breaker Hose	HC20, HC30, HC40, SC20, SC30, SC40, UC20, UC30 and UC40 models
	F150372	Fill Hose	HC25 and SC25 models
	F150340	Vacuum Breaker Hose	HC50, SC50 and UC50 models
	F0150340-01	Vacuum Breaker Fill Hose	HC60, SC60 and UC60 models
5	F200215	Hose Clamp	No. 28
6	F200125800	Overflow Hose	HC20, HC25, HC30, SC20, SC25, SC30, UC20 and UC30 models
	F0200238-00	Overflow Hose	HC40, SC40 and UC40 models
	F150332	Overflow Hose	HC50, HC60, SC50, SC60, UC50 and UC60 models
7	F430103	Screw	
8	F430317	Washer	
9	F8017101	Drain Connector Tee	HC20, HC25, HC30, SC20, SC25, SC30, UC20 and UC30 models
	F150398	Drain Tee	HC40, HC50, HC60, SC40, SC50, SC60, UC40, UC50 and UC60 models
10	F200213	Hose Clamp	HC20, HC25, HC30, HC40, SC20, SC25, SC30, SC40, UC20, UC30 and UC40 models
	N/A	Hose Clamp	HC50, HC60, SC50, SC60, UC50 and UC60 models
11	F150311	Rear Drain Hose	HC20, SC20 and UC20 models
	F200123400	Drain Hose	HC25, HC30, SC25, SC30 and UC30 models
	F0200239-00	Rear Drain Hose	HC40, SC40 and UC40 models; Models through 1/13/05
	F200185300	Drain Hose	HC40, SC40 and UC40 models; Models starting 1/26/05
	F200123500	Drain Hose	HC50, HC60, SC50, SC60, UC50 and UC60 models
12	F430103	Screw	
13	F150312	Front Drain Hose	HC20, HC25, HC30, SC20, SC25, SC30, UC20 and UC30 models
	F0200240-00	Front Drain Hose	HC40, SC40 and UC40 models; Models through 1/25/05
	F200185200	Drain Hose	HC40, SC40 and UC40 models; Models starting 1/14/05
	F8035801	Front Drain Hose	HC50, HC60, SC50, SC60, UC50 and UC60 models
14	F430215	Nut	
15	F200142	Air Trap Hose	
16	F200222	Hose Clamp	No. 12
17	F150419	Supply Dispenser Baffle	Optional; Used to prevent water entering the supply dispenser during an extraction step

N/A = Part no longer available

Pump Drain Option (Drawing 1 of 2)

HC30, SC30 and UC30 E-Voltage Models



CHM2303P_F232189

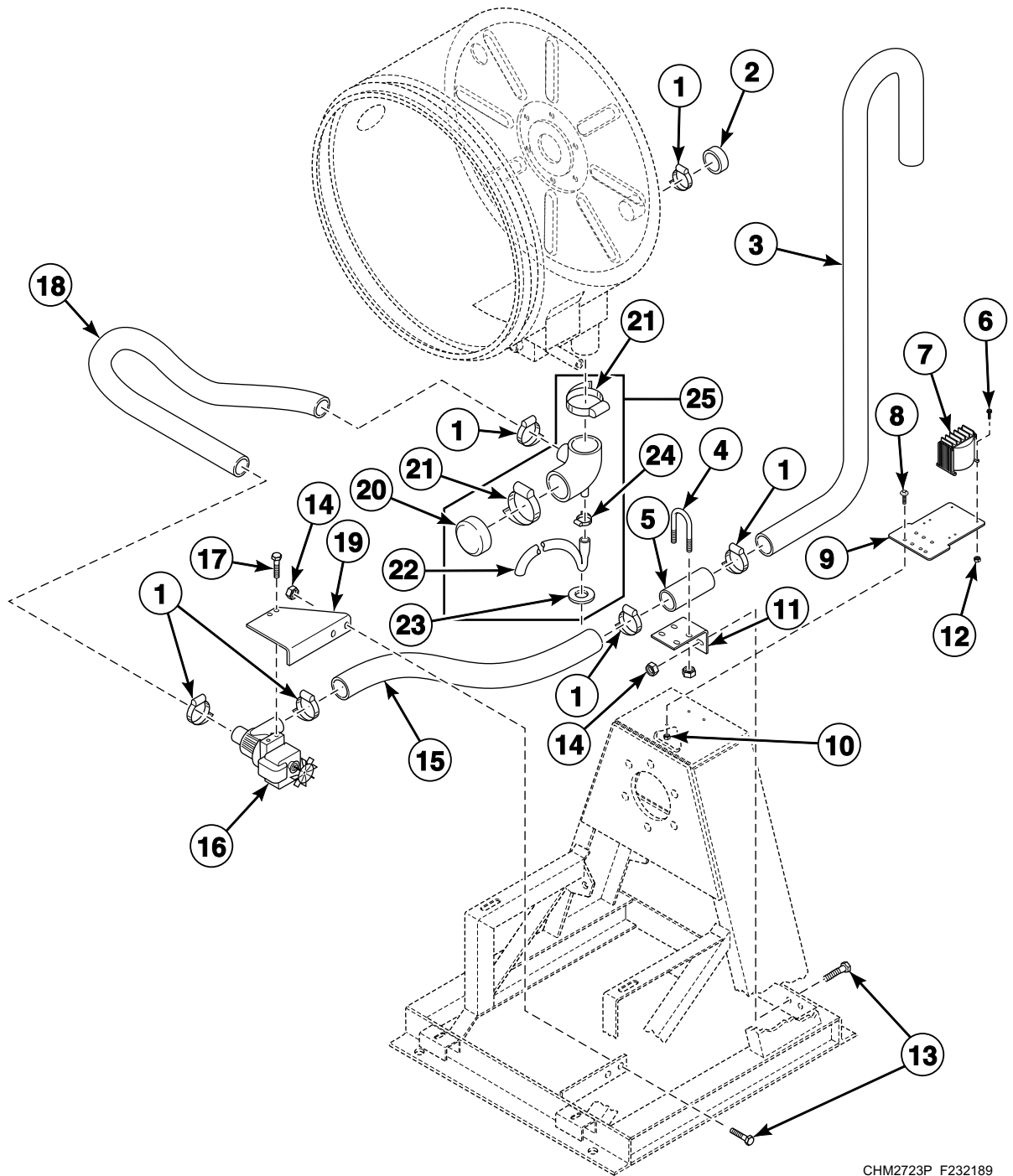
Pump Drain Option (Drawing 1 of 2)

REF	PART NO.	DESCRIPTION	COMMENTS
1	F200215	Hose Clamp	No. 28
2	F150352	Overflow Plug	
3	F150343	Rear Pump Drain Hose	
4	F200142	Air Trap Hose	
5	F200204	Hose Clamp	No. 20
6	F634178	Air Chamber Nipple	
7	F200213	Hose Clamp	No. 40
8	F150311	Rear Drain Hose	
9	F634177	Pump Inlet Hose	
10	F633819	Pump Drain Trap Weldment	
11	F150443	Plug	
12	F200401P	U-Bolt Clamp	
13	N/A	Pipe	
14	F604147	Pump Drain Rear Connecting Bracket	
15	F430232	Nut	
16	F430215	Nut	
17	F150482	Pump Drain Outlet Hose	
18	F634463P	Pump	
19	F430317	Washer	
20	F634114	Pump Mounting Bracket	
21	F430179	Screw	
22	F430107	Screw	

N/A = Part no longer available

Pump Drain Option (Drawing 2 of 2)

All HC20, HC25, SC20, SC25 and UC20 Models and All HC30, SC30 and UC30 Models Except E-Voltage Models

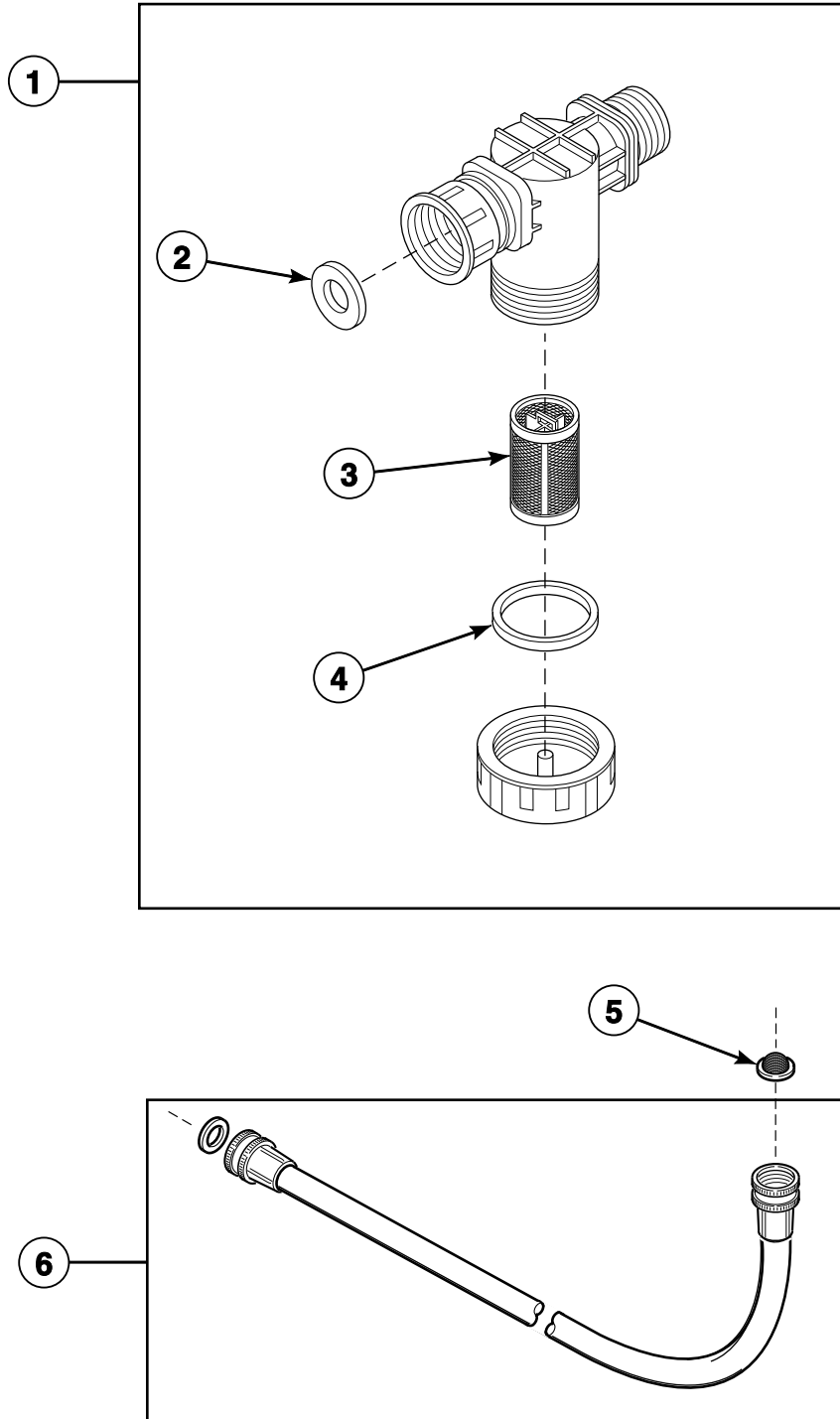


CHM2723P_F232189

Pump Drain Option (Drawing 2 of 2)

REF	PART NO.	DESCRIPTION	COMMENTS
1	F200204	Hose Clamp	No. 20
2	F150352	Overflow Plug	
3	F150343	Rear Pump Drain Hose	
4	F200401P	U-Bolt Clamp	Includes nuts
5	F603827-1	Pipe	
6	F430910	Screw	
7	C000203	Transformer	F, H, O and Y-voltage; 120 Volt
	F360156P	Transformer	F and H-voltage; 220 Volt
8	F430107	Screw	
9	F200167700	Transformer Mounting Bracket	
10	F430215	Nut	
11	F604147	Pump Drain Rear Connecting Bracket	
12	F430231	Nut	
13	F430107	Screw	
14	F430215	Nut	
15	F200155P	Hose	
16	F270119P	Drain Pump	120 Volt
	F270104P	Pump	220 Volt/50 Hertz
	F200000900P	Pump	220 Volt/60 Hertz
17	F430519	Screw	
18	F609748-1	Hose	HC20, SC20 and UC20 models
	F609748-4	Hose	HC25 and SC25 models
	F609748-5	Hose	HC30, SC30 and UC30 models
19	F609694	Pump Drain Trap Mounting Bracket	
20	F150443	Plug	
21	F200213	Hose Clamp	No. 40
22	F606192-5	Tubing	
23	901690	Washer	
24	F200217	Hose Clamp	
25	F630326P	Pump Drain Trap Assembly	Includes items 20-24

Water Supply Hose and Filter (Optional)

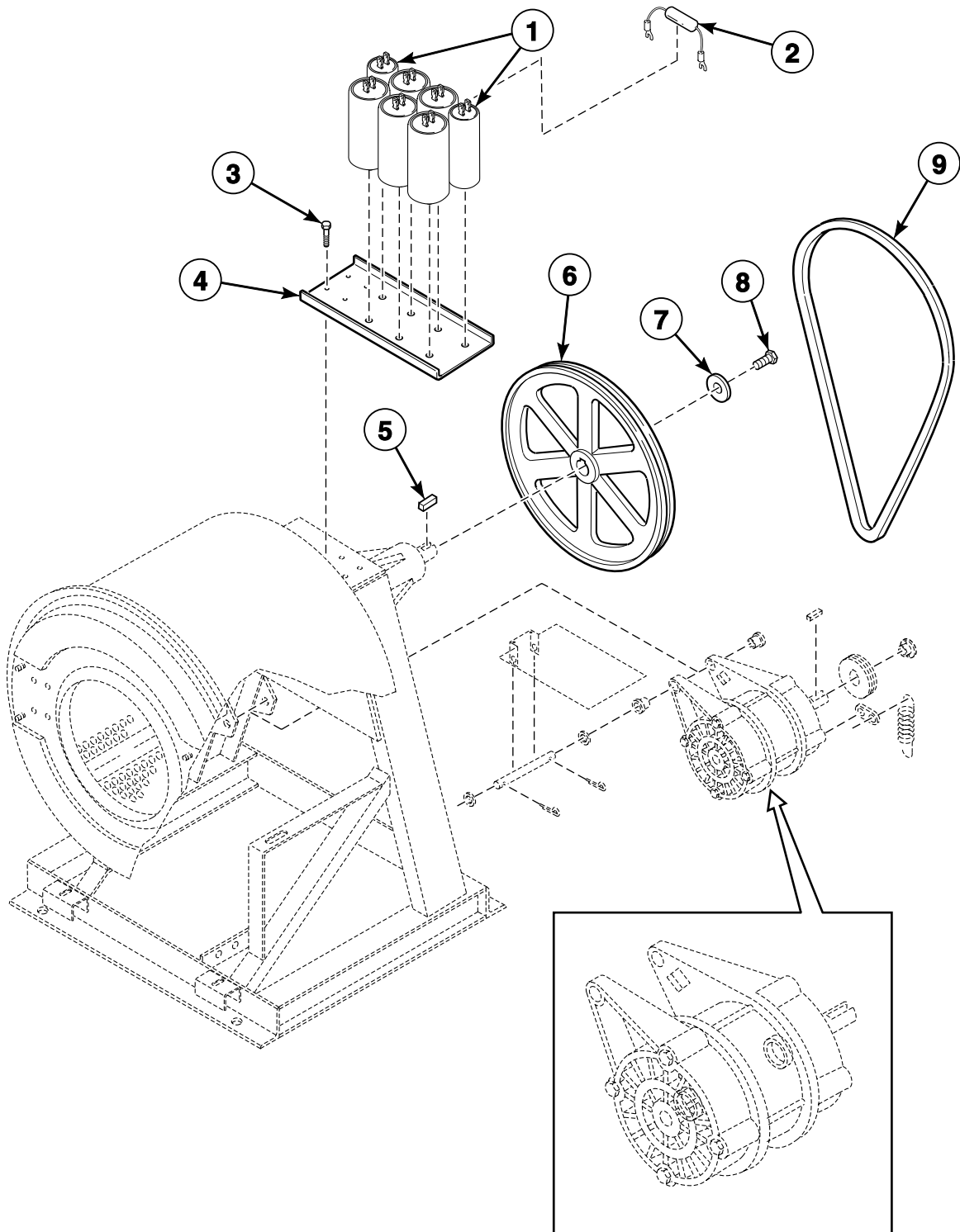


B091P_F232189

Water Supply Hose and Filter (Optional)

REF	PART NO.	DESCRIPTION	COMMENTS
1	F270306P	Filter	Hose thread
	F270305	Filter	Metric thread
2	20290	Washer	
3	F270406	Replacement Filter	.11 mm
	F270405	Replacement Filter	.25 mm
4	F270407	Filter Housing Cap Gasket	
5	803615	Washer	Filter
6	F200116	Water Hose	3/8 inch; Hose thread
	F200164	Water Hose	3/4 inch; Hose thread
	F200165	Water Hose	3/8 inch; Metric thread
	F200166	Water Hose	3/4 inch; Metric thread

Motor, Pulley and Belt Assembly - 20, 25 and 30 Pound Capacity Machines (Drawing 1 of 3)

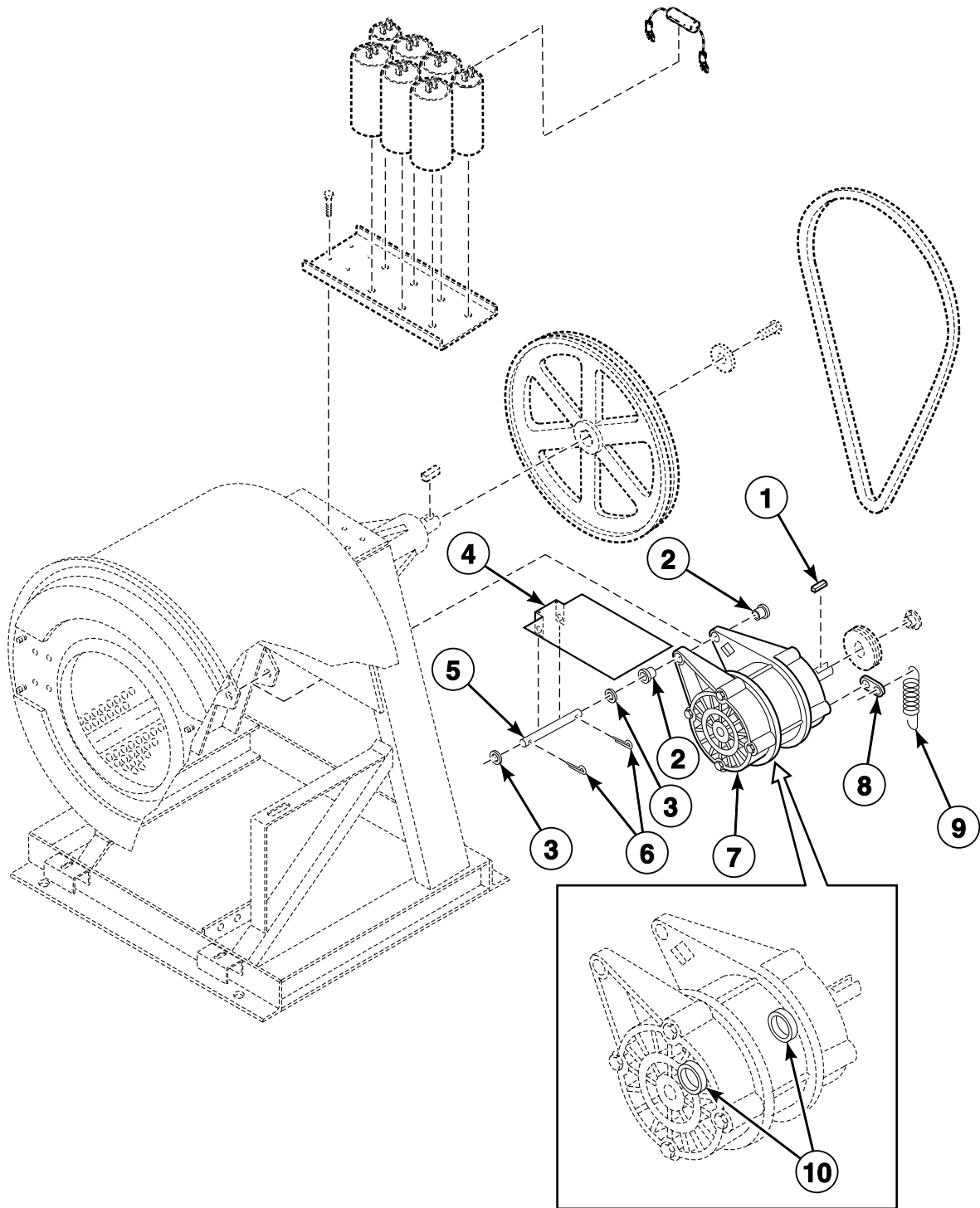


CHM2819P_F232189

Motor, Pulley and Belt Assembly - 20, 25 and 30 Pound Capacity Machines (Drawing 1 of 3)

REF	PART NO.	DESCRIPTION	COMMENTS
1	F370230	Capacitor	10 Microfarad; 1 Phase; HC20, HC25, HC30, SC20, SC25, SC30, UC20 and UC30 E-voltage models, 2 required; HC20, SC20 and UC20 Y-voltage models, 1 required; HC25, HC30, SC25, SC30 and UC30 Y-voltage models, 2 required
	F370224P	Capacitor	20 Microfarad; 1 Phase; HC20, HC25, HC30, SC20, SC25, SC30, UC20 and UC30 E-voltage models, 3 required; HC25, HC30, SC25, SC30 and UC30 Y-voltage models, 3 required
	F8411801	Capacitor	25 Microfarad; 1 Phase; HC20, SC20 and UC20 models; Y-voltage; 1 required
	F8411901	Capacitor	50 Microfarad; 1 Phase; HC20, SC20 and UC20 models; Y-voltage; 1 required
	F370221	Capacitor	100 Microfarad; 1 Phase; HC20, SC20 and UC20 B-voltage models, 2 required; HC20, HC25, HC30, SC20, SC25, SC30, UC20 and UC30 E-voltage models, 2 required
	F370220	Capacitor	130 Microfarad; 1 Phase; HC20, SC20 and UC20 B-voltage models, 1 required; HC25, HC30, SC25, SC30 and UC30 Y-voltage models, 1 required
2	F370112	Resistor	15000 Ohms; 2 Watt
3	F430108	Screw	
4	F602732	Capacitor Bracket	HC20, SC20 and UC20 models
	F200033500	Capacitor Mounting Bracket	HC25, HC30, SC25, SC30 and UC30
5	F430801	Key	
6	F280168	Pulley	HC20, HC25, SC20, SC25 and UC20 models
	F280172	Sheave Pulley	HC30, SC30 and UC30 models
7	F0431159-00	Washer	
8	F430927	Screw	
9	F280343	Belt	HC20, SC20 and UC20 models; C, D and J-voltage; 3V-730
	F028038000P	Belt	HC20, SC20 and UC20 models; E-voltage; 3V-720; Replaces F280343 Belt
	F280337	Belt	HC20, SC20 and UC20 models; B, F, H, L, O and Y-voltage; 3V-710
	F280343	Belt	HC20, SC20 and UC20 models; E, F, H and O-voltage with heat; 3V-730; Replaces F280337 Belt
	F280337	Belt	HC25 and SC25 models; C, D, F, H, J, O and Y-voltage; 3V-710
	F028038000P	Belt	HC25 and SC25 models; E-voltage; 3V-720; Replaces F280337 Belt
	F280321	Belt	HC30, SC30 and UC30 models; 3V-800

Motor, Pulley and Belt Assembly - 20, 25 and 30 Pound Capacity Machines (Drawing 2 of 3)

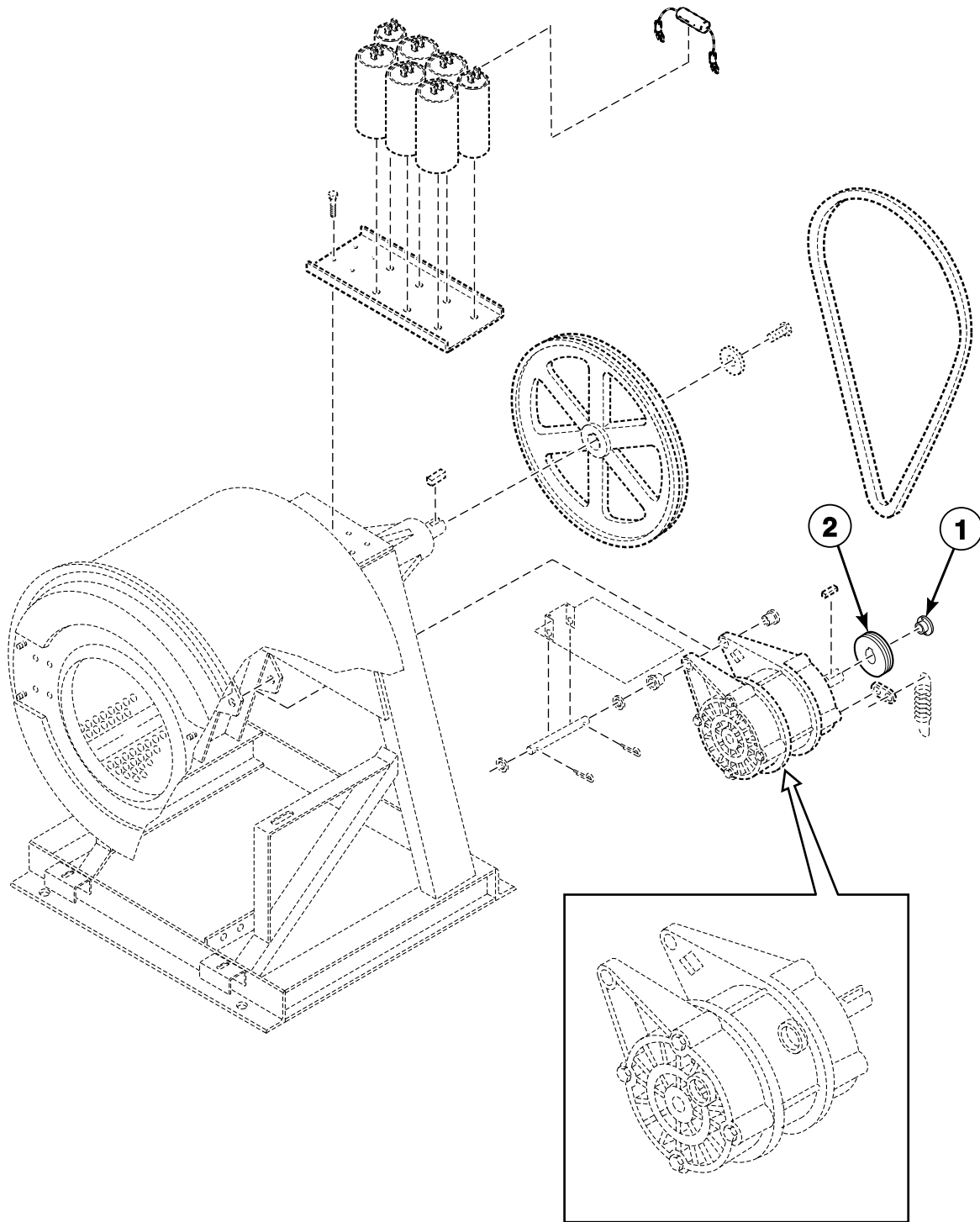


CHM2820P_F232189

Motor, Pulley and Belt Assembly - 20, 25 and 30 Pound Capacity Machines (Drawing 2 of 3)

REF	PART NO.	DESCRIPTION	COMMENTS
1	F430802	Key	
2	F200186100	Motor Support Bushing	
3	901690	Washer	
4	F200216900	Motor Drip Shield	
5	F602844	Motor Support Rod	HC20, HC30, SC20, SC30, UC20 and UC30 models
	F603059	Motor Support Rod	HC25 and SC25 models
6	F430401	Cotter Pin	
7	F8329301P	Motor	HC20, SC20 and UC20 models; J and O-voltage; Replaces F022039600 Motor and F220350 Motor; Includes motor support bushing
	F8329401P	Motor	HC20, SC20 and UC20 models; C, F and H-voltage with or without heat; Replaces F022032500 Motor; Includes motor support bushing
	F8353501P	Motor Conversion Kit	E-voltage; Replaces F220117 Motor, F220125 Motor and F220130 Motor; Includes F8353501 Motor
	F8329601P	Motor	HC20, SC20 and UC20 models; B-voltage; Replaces F220110 Motor; Includes motor support bushing
	F220352	Motor	HC20, SC20 and UC20 models; D-voltage
	F022012800P	Motor	HC20, SC20 and UC20 models; Y-voltage; Includes item 2
	F220389	Motor	HC25 and SC25 J, D and U-voltage models; HC30, SC30 and UC30 D, J and U-voltage models
	F8329901P	Motor	HC25, HC30, SC25, SC30 and UC30 models; Y-voltage; Replaces F022012400 Motor; Includes motor support bushing
	F8329701P	Motor	HC25, HC30, SC25, SC30 and UC30 models; O-voltage; Replaces F022038700 Motor; Includes motor support bushing
	F8329801P	Motor	HC25 and SC25 C, F and H-voltage models; HC30, SC30 and UC30 C and F-voltage models; Replaces F022038800P Motor; Includes motor support bushing
8	F601515	Clip	Elmo only
9	F310124	Extension Spring	
10	M400592	Ball Bearing	

Motor, Pulley and Belt Assembly - 20, 25 and 30 Pound Capacity Machines (Drawing 3 of 3)

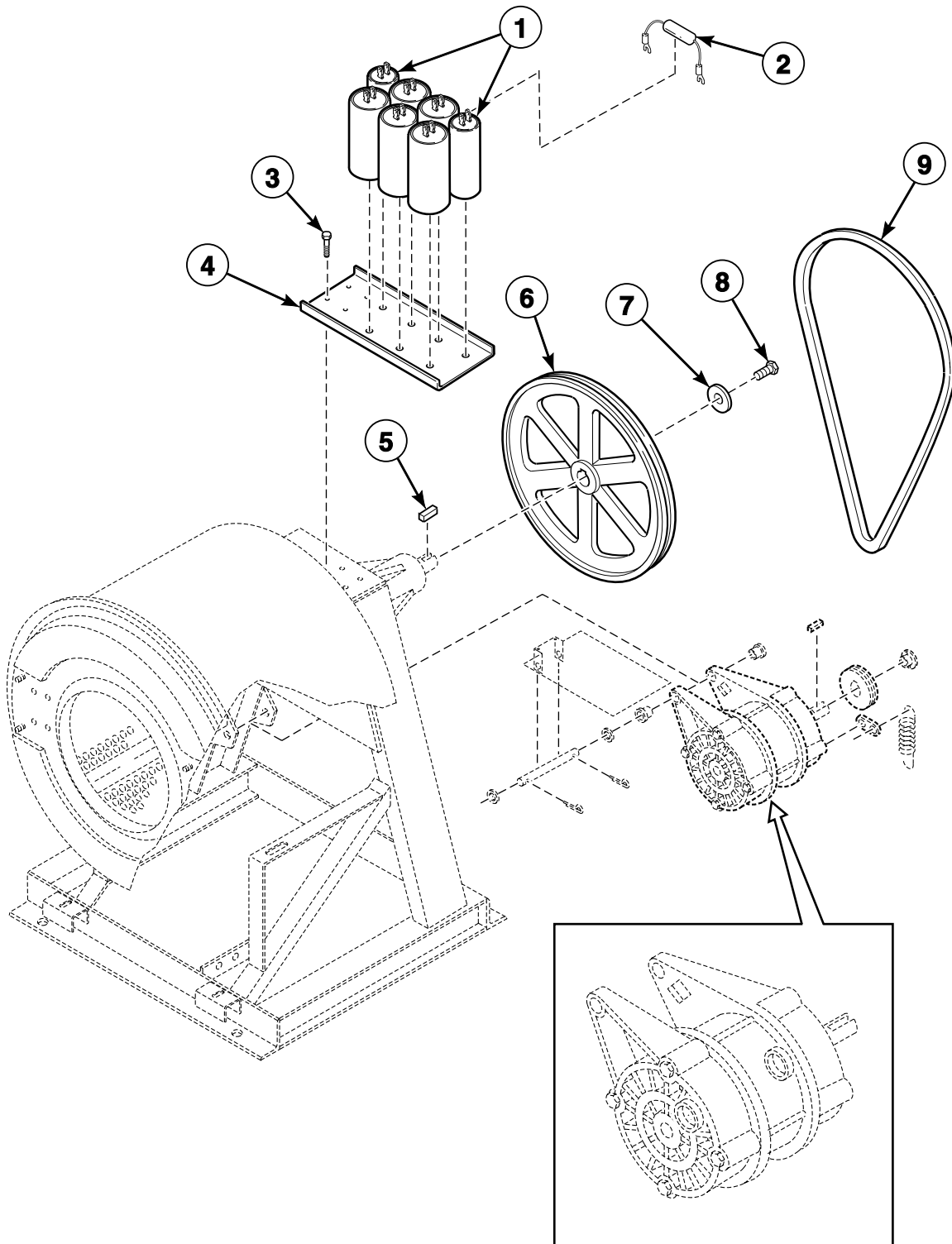


CHM2821P_F232189

Motor, Pulley and Belt Assembly - 20, 25 and 30 Pound Capacity Machines (Drawing 3 of 3)

REF	PART NO.	DESCRIPTION	COMMENTS
1	H87529111P	Bushing	HC20, SC20 and UC20 models; C, D and J-voltage; Replaces F280430 Bushing
	H87529111P	Bushing	HC20, SC20 and UC20 models; Models through 5/24/02; E-voltage; Replaces F280430 Bushing
	F280298P	Pulley Bushing	HC20, SC20 and UC20 models; Models starting 5/24/02; E-voltage
	F280298P	Pulley Bushing	HC20, SC20 and UC20 models; B, F, H and O-voltage; F and H-voltage with heat
	H87529111P	Bushing	HC25 and SC25 models; C, D and J-voltage; Replaces F280430 Bushing
	F280298P	Pulley Bushing	HC25 and SC25 models; E-voltage; Replaces F280214 Motor Bushing
	F280298P	Pulley Bushing	HC25 and SC25 models; Y-voltage
	H87529111P	Bushing	HC30, SC30 and UC30 models; C and D-voltage; Replaces F280430 Bushing
	H87529111P	Bushing	HC30, SC30 and UC30 models; J-voltage; Replaces F280430 Bushing
	F280225P	Bushing	HC30, SC30 and UC30 models; E-voltage
2	F280427P	Pulley	HC20, SC20 and UC20 models; C, D, E and J-voltage; Replaces F280184 Pulley; Replacement of F280184 Pulley requires F280430 Bushing
	F280427P	Pulley	HC20, SC20 and UC20 models; E-voltage; Replaces F280184 Pulley and F280430 Bushing; Replacement of F280184 Pulley requires F280298P Pulley Bushing
	F280170	Sheave Pulley	HC20, SC20 and UC20 models; B, F, H, O and Y-voltage
	F280170	Sheave Pulley	HC20, SC20 and UC20 models; F and H-voltage with heat
	F280427P	Pulley	HC25 and SC25 models; C, D and J-voltage; Replaces F280184 Pulley; Replacement of F280184 Pulley requires F280430 Bushing; F280430 Bushing is used with F280427 Pulley
	F280427P	Pulley	HC25 and SC25 models; E-voltage; Replaces F280180 Pulley; Replacement of F280180 Pulley requires F280298P Pulley Bushing; F280298P Pulley Bushing is used with F280427 Pulley
	F280170	Sheave Pulley	HC25 and SC25 models; F, H and O-voltage
	F280416	Pulley	HC25 and SC25 models; Y-voltage; Replaces F280139 Pulley and F280298P Pulley Bushing; F280298P Pulley Bushing is used with F280416 Pulley
	H87520334	Sheave	HC30, SC30 and UC30 models; C and D-voltage; Replaces F280283 Pulley; Replacement of F280283 Pulley requires F280430 Bushing; F280430 Bushing is used with F280418 Pulley
	F280423	Pulley	HC30, SC30 and UC30 models; E-voltage; F280225P Bushing is used with F280423 Pulley
	F280284	Pulley	HC30, SC30 and UC30 models; F, H and O-voltage
	F280281	Motor Pulley	HC30, SC30 and UC30 models; Y-voltage; Replaces F280198 Pulley

Motor, Pulley and Belt Assembly - 40, 50 and 60 Pound Capacity Machines (Drawing 1 of 2)

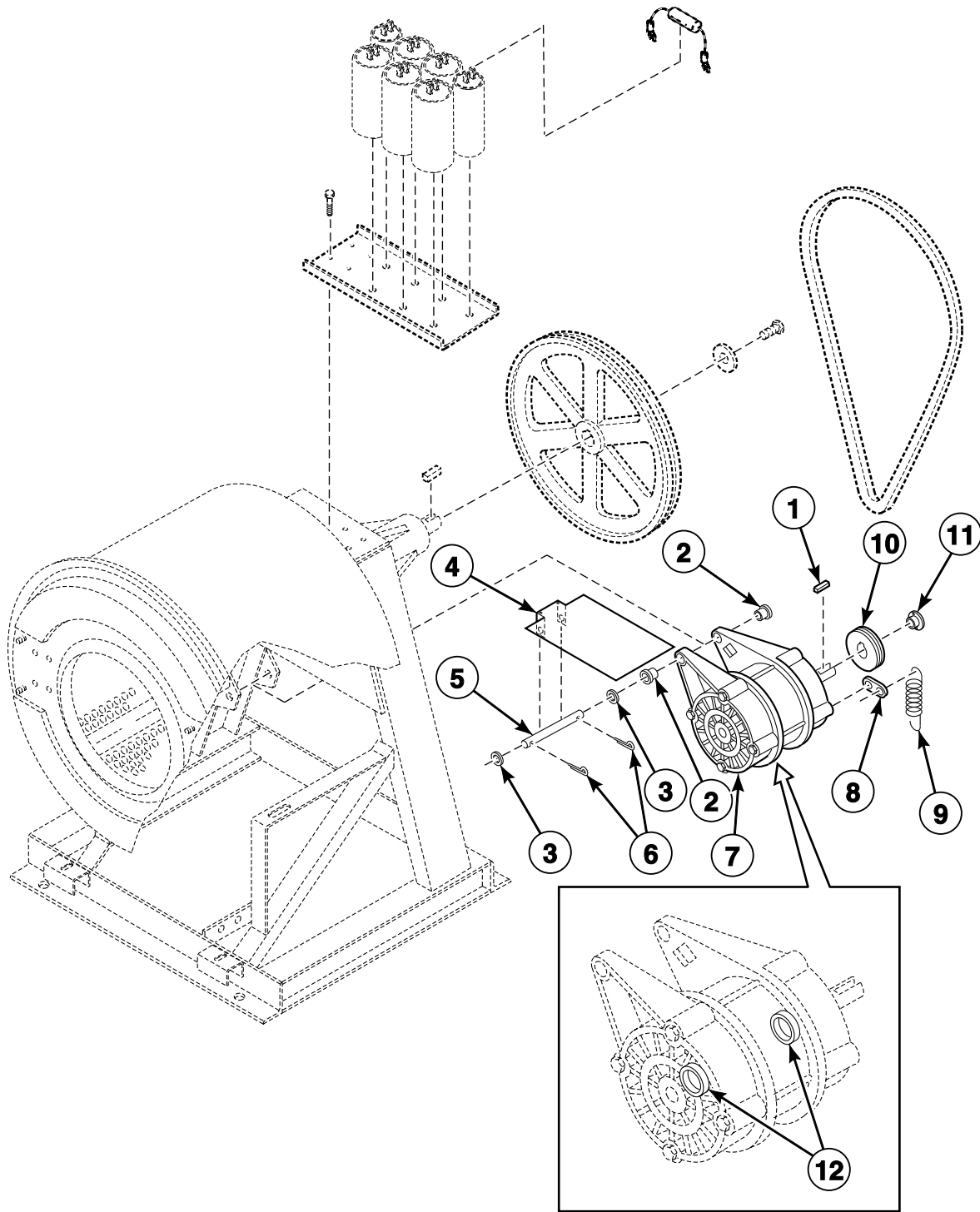


CHM2822P_F232189

Motor, Pulley and Belt Assembly - 40, 50 and 60 Pound Capacity Machines (Drawing 1 of 2)

REF	PART NO.	DESCRIPTION	COMMENTS
1	F370224P	Capacitor	20 Microfarad; HC40, HC50, SC40, SC50, UC40 and UC50 models; Y-voltage; 2 required
	F8411901	Capacitor	50 Microfarad; HC40, HC50, SC40, SC50, UC40 and UC50 models; Y-voltage; 2 required
	F370220	Capacitor	130 Microfarad; HC50, SC50 and UC50 models; Y-voltage; 3 required
	F370218P	Capacitor	160 Microfarad; HC40, SC40 and UC40 models; Y-voltage; 2 required
2	F370112	Resistor	15000 Ohms; 2 Watt
	F370116	Resistor	12 K; 5 Watt
3	F430108	Screw	
4	F200033500	Capacitor Mounting Bracket	
5	F430801	Key	
6	F280197	Pulley	HC40, SC40 and UC40 models
	F280173	Pulley	HC50, HC60, SC50, SC60, UC50 and UC60 models
7	F431115	Washer	
8	F430100	Screw	
9	F280341	Belt	HC40, SC40 and UC40 models; C, D, and J-voltage; 3V-850
	F280342	Belt	HC40, SC40 and UC40 models; F, O, and Y-voltage; 3V-830
	F280373	Belt	HC50, SC50 and UC50 C, D and J-voltage models; HC60, SC60 and UC60 C-voltage models; 3V-90.65; Replaces F280304 Belt in 50 Hz models
	F280304	Belt	HC50, SC50 and UC50 F, H, K, O and Y-voltage models; HC60, SC60 and UC60 C, F, H, K and O-voltage models; 3V-900

Motor, Pulley and Belt Assembly - 40, 50 and 60 Pound Capacity Machines (Drawing 2 of 2)

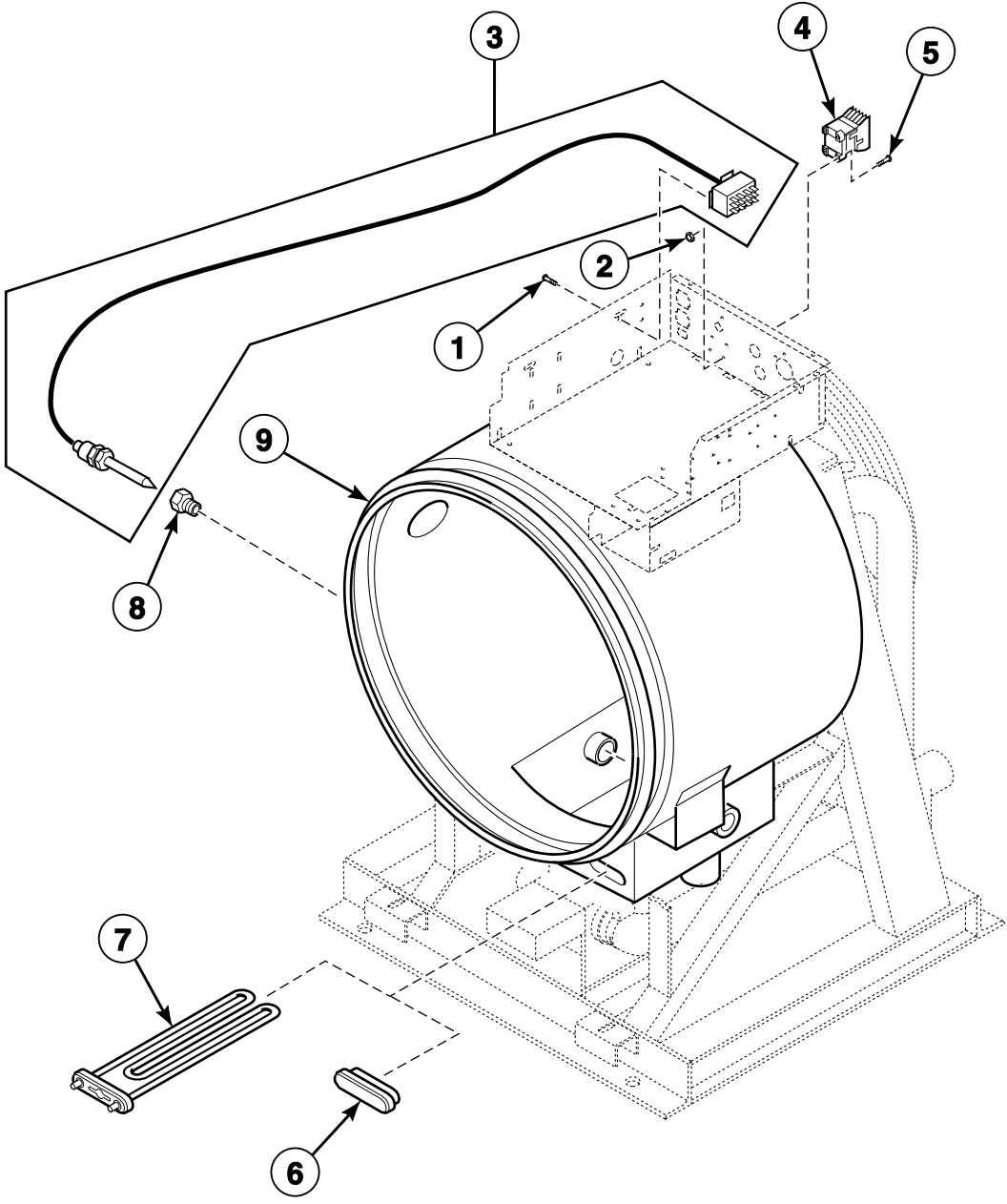


CHM2823P_F232189

Motor, Pulley and Belt Assembly - 40, 50 and 60 Pound Capacity Machines (Drawing 2 of 2)

REF	PART NO.	DESCRIPTION	COMMENTS
1	F430802	Key	
2	F200186100	Motor Support Bushing	
3	901690	Washer	
4	F200216900	Motor Drip Shield	HC40, SC40 and UC40 models; All voltages except Y-voltage
	F200280700	Motor Drip Shield	HC40, SC40 and UC40 Y-voltage models; HC50, HC60, SC50, SC60, UC50 and UC60 models
5	F603059	Motor Support Rod	HC40, SC40 and UC40 models
	F603897	Motor Support Rod	HC50, HC60, SC50, SC60, UC50 and UC60 models
6	F430401	Cotter Pin	
7	F8330101P	Motor	HC40, SC40 and UC40 models; C and F-voltage; Replaces F022032600P Motor; Includes item 2
	F220353	Motor	HC40, SC40 and UC40 models; D-voltage
	F8330001P	Motor	HC40, SC40 and UC40 models; J and O-voltage; Replaces F0220321-00 Motor; Includes motor support bushing
	F0798912-00	Motor Retrofit Kit	HC40, SC40 and UC40 models; Y-voltage; Models through Serial No. 3020329161 when replacing F0220137-00 Motor; Includes item 2, F0220120-01P Motor and F872P3 Hardware Kit
	F8330201P	Motor	HC40, SC40 and UC40 Y-voltage models starting Serial No. 3020329162; HC50, SC50 and UC50 Y-voltage models; Replaces F0220120-01 Motor; Includes motor support bushing
	F220354P	Motor	HC50, HC60, SC50, SC60, UC50 and UC60 models; D-voltage
	F8330301P	Motor	HC50, HC60, SC50, SC60, UC50 and UC60 models; J and O-voltage; Replaces F220354 Motor and F022032200 Motor; Includes motor support bushing
	F8330401P	Motor	HC50, HC60, SC50, SC60, UC50 and UC60 models; C, F and H-voltage; Replaces F220327 Motor; Includes motor support bushing
8	F601515	Clip	Elmo only
9	F310124	Extension Spring	
10	F280105P	Pulley	HC40, SC40 and UC40 models; C, D and J-voltage; Replaces F280185 Motor Pulley; F280225P Bushing is used with F280105P Pulley
	F280422P	Pulley	HC50, HC60, SC50, SC60, UC50 and UC60 models; C, D and J-voltage; Replaces F280186 Pulley; F280225P Bushing is used with F280422 Pulley
	F0280385-00	Sheave	F, H, O and Y-voltage
11	F280225P	Bushing	HC40, HC50, HC60, SC40, SC50, SC60, UC40, UC50 and UC60 models; C, D and J-voltage
12	F100124	Motor Bearing	

Electric Heat Option

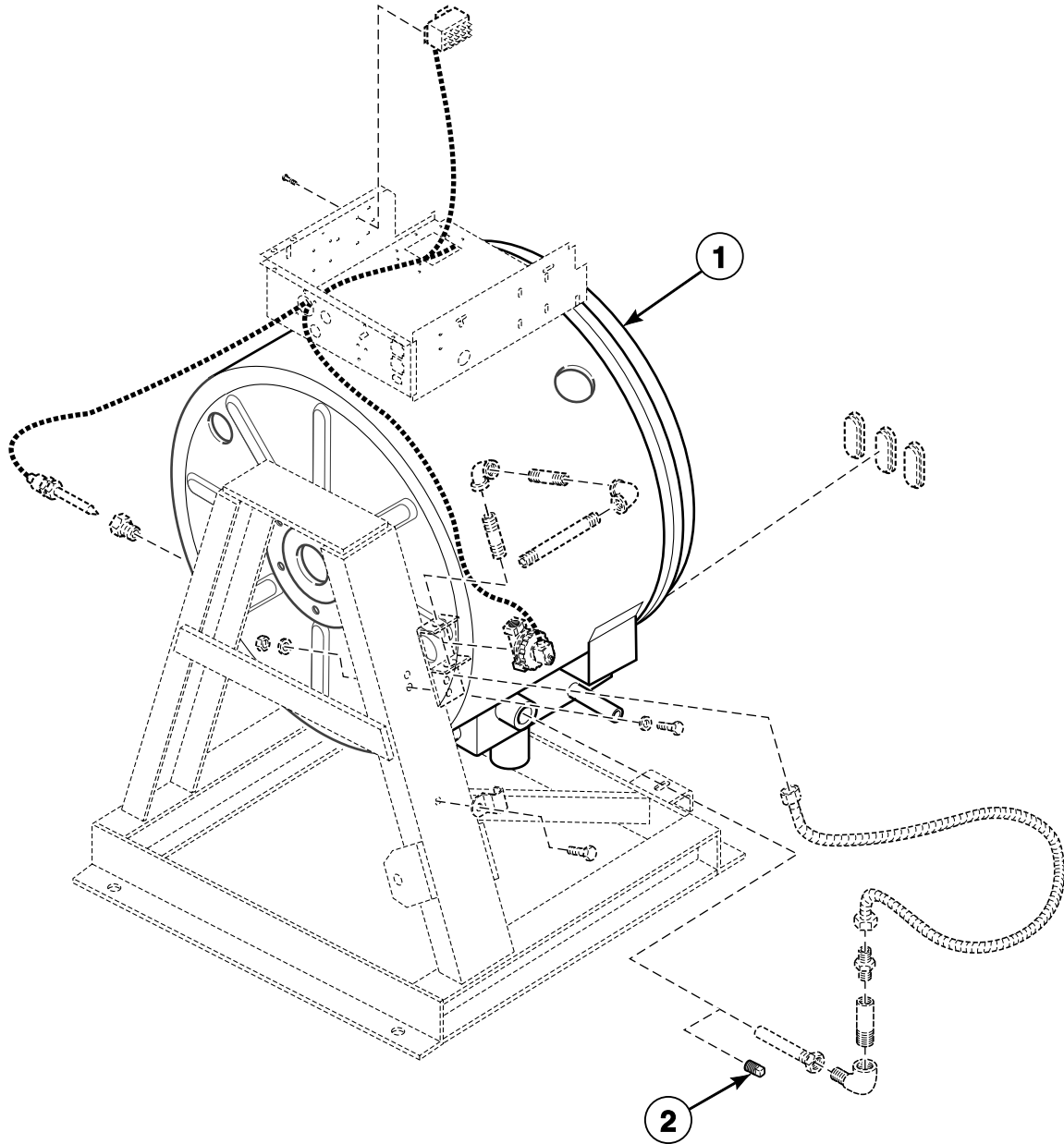


CHM2214P_F232189

Electric Heat Option

REF	PART NO.	DESCRIPTION	COMMENTS
1	F430948	Screw	
2	F430231	Nut	
3	F290111P	Thermostat	Includes temperature probe
4	F330175P	Contactora	HC20, HC25, HC30, SC20, SC25, SC30, UC20 and UC30 models; 120 Volt; F, H, K, O, L and Y-voltage through 7/1/04
	F330177P	Contactora	HC20, HC25, HC30, HC40, SC20, SC25, SC30, SC40, UC20, UC30 and UC40 models; 220 Volt; C, D and J-voltage; F, H, K, O and Y-voltage starting 7/2/04
	F330187P	Contactora	HC20, HC25, HC30, SC20, SC25, SC30, UC20 and UC30 models; Y-voltage; 120 Volt
	F330188P	Contactora	HC20, HC25, HC30, SC20, SC25, SC30, UC20 and UC30 models; E-voltage
	F330188P	Contactora	HC20, HC25, HC30, SC20, SC25, SC30, UC20 and UC30 models; Y-voltage; 220 Volt
	F330178P	Contactora	HC40, SC40 and UC40 models; F and H-voltage; 120 Volt
	F330179P	Contactora	HC40, SC40 and UC40 models; C, F and H-voltage; 220 Volt
	F330180P	Contactora	HC40, SC40 and UC40 O-voltage models; HC50, HC60, SC50, SC60, UC50 and UC60 F-voltage models; 120 Volt
	F330182	Contactora	HC40, SC40 and UC40 O-voltage models; HC60, SC60 and UC60 F-voltage models; 220 Volt
	F330187P	Contactora	HC50, HC60, SC50, SC60, UC50 and UC60 models; H and O-voltage; 120 Volt
	F330188P	Contactora	HC50, HC60, SC50, SC60, UC50 and UC60 models; C, D and J-voltage
	F330188P	Contactora	HC60, SC60 and UC60 models; H and O-voltage; 220 Volt
5	F430916	Screw	
6	F360202	Heating Element Plug	
7	F360206P	Heating Element	HC20, SC20 and UC20 models; E-voltage
	F0360210-00	Heating Element	HC40, SC40 and UC40 models; 3 required
	F360205P	Element	2.6kW; All other models
8	F421962	Nut	
9	F0637054-00	Shell Weldment	HC20, SC20 and UC20 models; Heat option; E-voltage
	F0636601-00	Shell Weldment	HC20, SC20 and UC20 models; Heat option; All other voltages
	F0636700-00	Shell Weldment	HC25 and SC25 models; Heat option
	F0636704-00	Shell Weldment	HC30, SC30 and UC30 models; Heat option
	F8196202	Shell Weldment	HC40, SC40 and UC40 models; Heat option
	F0636747-00	Shell Weldment	HC50, SC50 and UC50 models; Heat option
	F0637661-00	Shell Weldment	HC60, SC60 and UC60 models; Heat option

Steam Heat Assembly (Drawing 1 of 2)



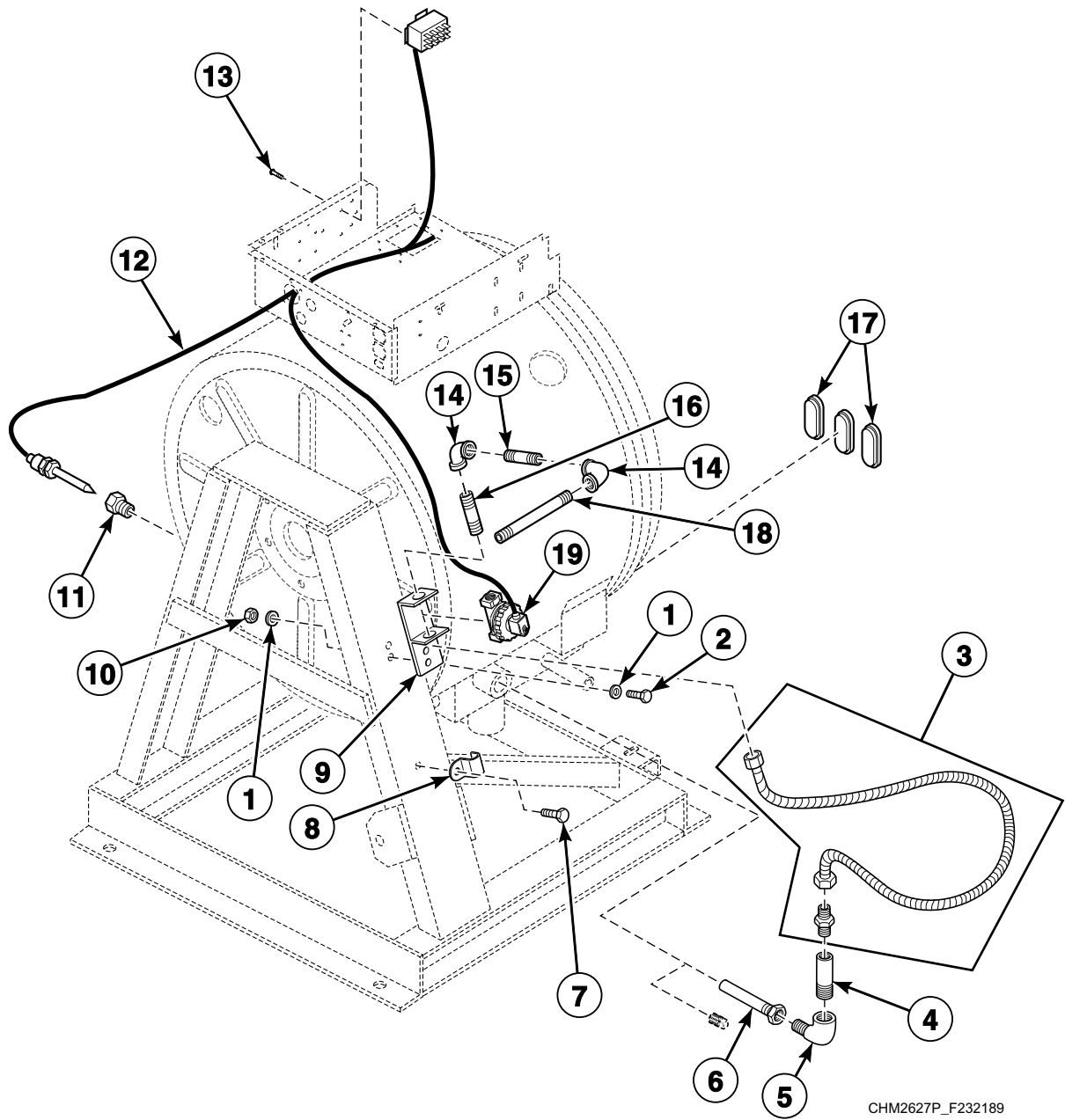
CHM2626P_F232189

Steam Heat Assembly (Drawing 1 of 2)

REF	PART NO.	DESCRIPTION	COMMENTS
1	F0637054-00	Shell Weldment	HC20, SC20 and UC20 models; Heat option; E-voltage
	F0636601-00	Shell Weldment	HC20, SC20 and UC20 models; Heat option; All other voltages
	F0636700-00	Shell Weldment	HC25 and SC25 models; Heat option
	F0636704-00	Shell Weldment	HC30, SC30 and UC30 models; Heat option
	N/A	Shell Weldment	HC40, SC40 and UC40 models; Models through 1/25/05; Heat option
	F8196204	Shell Weldment	HC40, SC40 and UC40 models; Models starting 1/26/05; Heat option
	F0636747-00	Shell Weldment	HC50, SC50 and UC50 models; Heat option
	F0637661-00	Shell Weldment	HC60, SC60 and UC60 models; Heat option
2	F200202600	Plug	

N/A = Part no longer available

Steam Heat Assembly (Drawing 2 of 2)



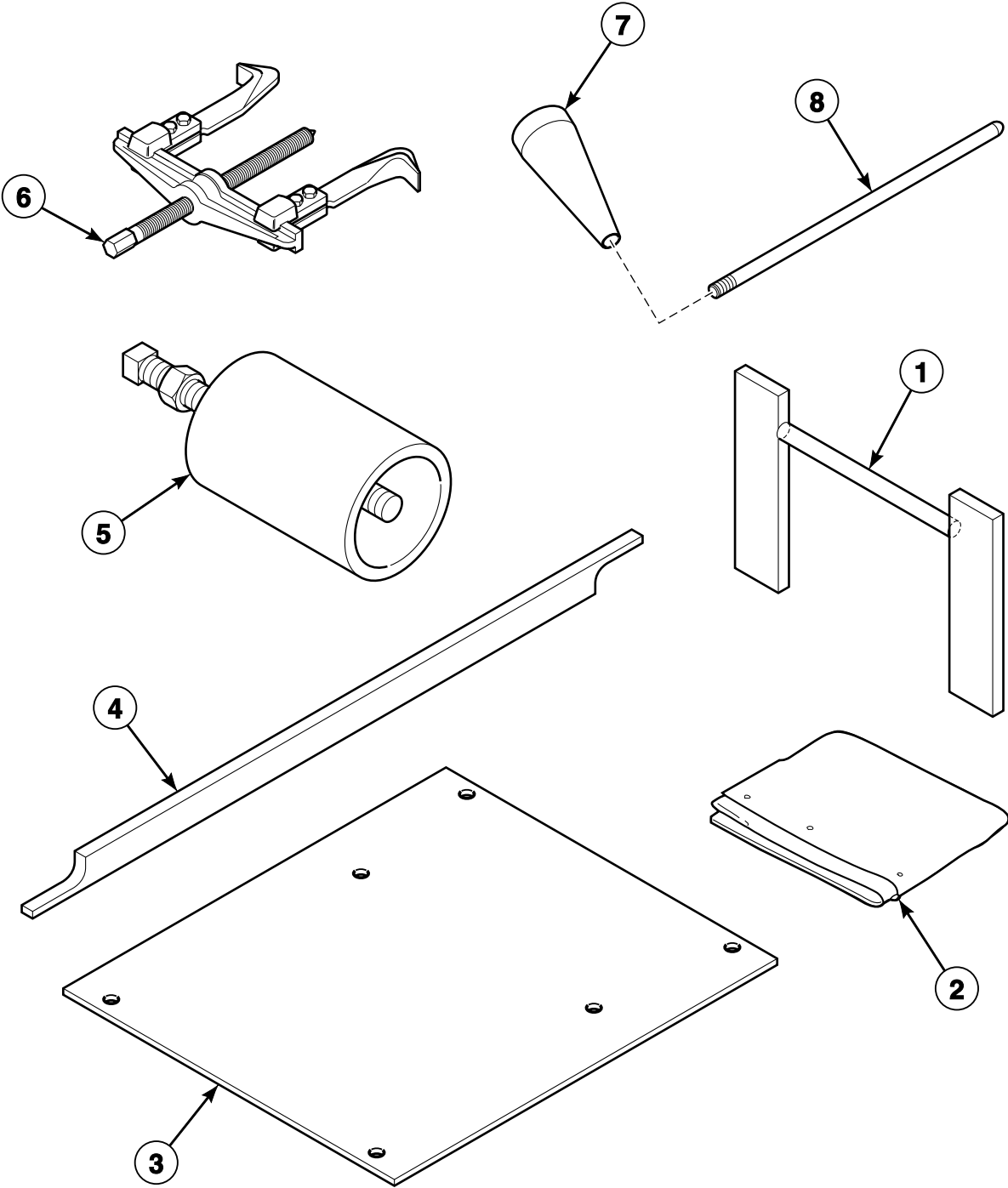
CHM2627P_F232189

Steam Heat Assembly (Drawing 2 of 2)

REF	PART NO.	DESCRIPTION	COMMENTS
	F380984P	Steam Valve Repair Kit	Use with F380787P Steam Valve
	F8289001	Steam Control Harness	
	F8286801	Steam Control Harness	
1	F430317	Washer	
2	F430108	Screw	
3	F200153P	Steam Hose	HC40, SC40 and UC40 models; Y-voltage
	F200154	Steam Hose	All other models
	F410300	Pipe Insulation	
4	70435601	Pipe Nipple	HC40, SC40 and UC40 models; Y-voltage
5	70079601	Elbow	HC40, SC40 and UC40 models; Y-voltage
6	F603131	Steam Injector Tube Assembly	
7	F430115	Screw	
8	N/A	Cable Strap	
9	F601186	Steam Bracket Assembly	
10	F430215	Nut	
11	F421962	Nut	
12	F290111P	Thermostat	
13	F430948	Screw	
14	70079601	Elbow	
15	F420708	Nipple	
16	70435601	Pipe Nipple	
17	F360202	Heating Element Plug	
18	70214101	Pipe Nipple	
19	F380786P	Steam Valve	120 Volt
	F380787P	Steam Valve	220 Volt

N/A = Part no longer available

Special Tools



CHM3199P_F232189

Special Tools

REF	PART NO.	DESCRIPTION	COMMENTS
1	F460131	Basket Pulley Puller Tool	
2	F450127	Template	HC50, SC50 and UC50 models
	F450246	Template	HC25 and SC25 models
3	F608707	Bolt Layout Mounting Template	HC20, SC20 and UC20 models
	F608708	Bolt Layout Mounting Template	HC25 and SC25 models
	F631796	Bolt Layout Mounting Template	HC30, SC30 and UC30 models
	F0637047-00	Bolt Layout Mounting Template	HC40, SC40 and UC40 models
	F608710	Bolt Layout Mounting Template	HC50, HC60, SC50, SC60, UC50 and UC60 models
4	N/A	Basket Pulley Alignment Bar	HC50, SC50 and UC50 models
5	F798001	Basket Pulley Kit	HC20, HC25, SC20, SC25 and UC20 models
	F798002	Basket Puller Kit	HC40, SC40 and UC40 models
	F798003	Basket Puller Kit	HC50, HC60, SC50, SC60, UC50 and UC60 models
6	F460129P	Bearing Puller Tool	
7	396P4	Cone	HC20, SC20 and UC20 models
	397P4	Cone	HC30, HC40, SC30, SC40, UC30 and UC40 models
	398P4	Cone	HC50, HC60, SC50, SC60, UC50 and UC60 models
8	401P4	Basket Installation Tool Rod	

N/A = Part no longer available

Parts Index

A

Air Chamber Nipple	
F634178	77
Air Trap Hose	
F200142	73, 75, 77
Auxiliary Contactor	
F330185P	13, 17

B

Ball Bearing	
M400592	85
Basket Assembly	
F603900-1	59
F8123601P	59
F8336301P	59
F8336501P	59
F8347801P	59
F8347901P	59
F8438401	59
Basket Installation Tool Rod	
401P4	99
Basket Puller Kit	
F798002	99
F798003	99
Basket Pulley Kit	
F798001	99
Basket Pulley Puller Tool	
F460131	99
Basket Rental Tool Kit	
390P4	59
Basket Tool Kit	
389P4	59
Bearing	
F100108	61
F100122	61
F100123P	61
F100134	61
F100135	61
F100136P	61
F100137P	61
Bearing Puller Tool	
F460129P	99
Belt	
F028038000P	83
F280304	89
F280321	83
F280337	83
F280341	89
F280342	89
F280343	83
F280373	89
Bezel Gasket	
F0170190-00P	65
Blind Rivet	
F8245101	47
J1111905	47
Bolt	
F430969	47

Bolt Layout Mounting Template	
F0637047-00	99
F608707	99
F608708	99
F608710	99
F631796	99
Bridge Rectifier	
F370310	15
Bushing	
F280225P	87, 91
H87529111P	87

C

Cabinet Brace	
F0636131-00	49
F0636217-00	53, 55
F0636218-00	49
F0636320-00	49
F0636518-00	49
F0636596-00	49
F0637632-00	49
F634800	53, 55
F634801	53, 55
F634803P	53, 55
Cabinet Corner Stiffener	
F200168900	53, 55
Cap	
F190303	65
Capacitor	
F370218P	89
F370220	83, 89
F370221	83
F370224P	83, 89
F370225P	19
F370230	83
F8411801	83
F8411901	83, 89
Capacitor Bracket	
F602732	83
Capacitor Mounting Bracket	
F200033500	83, 89
Capacitor Mounting Clamp	
F140612P	19
CCA Mounting Bracket	
F608169	21, 25
Circuit Board Support	
F432001	21, 25
Circuit Breaker	
F350217	17
Clip	
F601515	39, 85, 91
Coin Blocking Wire Harness	
F634561-1	25
F634561-2	25
Coin Box	
F160672	33
Coin Counter CCA	
F0370410-10P	21
F370425P	25

N/A items do not appear in index.

Coin Guide Assembly			
F200002502P	21, 29		
F200002503	25, 31		
Coin Meter Assembly			
F200003000P	23		
F200003001	23		
F200003002	23		
F200003003P	23		
F200003004	23		
F200003005P	23		
F200003006	23		
F200003007	23		
F200003008	23		
F200003009P	23		
F200003010	23		
F200003011	23		
F200003012	23		
F200004900	27		
F200004901	27		
F200004902	27		
F200004903	27		
F200004904	27		
F200004905	27		
F200004906P	27		
F200004908P	27		
F200004909	27		
F200004910P	27		
F200004911	27		
F200004912	27		
F200115000P	29		
F200115001	29		
F200115002	29		
F200115003	29		
F200115004	29		
F200115005P	29		
F200115006P	29		
F200115007	29		
F200115008	29		
F200115009	29		
F200115010	29		
F200115011	29		
F200115100	31		
F200115101	31		
F200115102	31		
F200115103	31		
F200115104	31		
F200115105	31		
F200115106P	31		
F200115107	31		
F200115108	31		
F200115109	31		
F200115110	31		
F200115111	31		
F200115112	31		
Coin Meter Blocking Coil			
F160466P	21, 25, 29, 31		
F160467P	21, 25, 29, 31		
Coin Meter Decal			
F0231595-00	25, 31		
Coin Meter Insert Decal			
F231010	21, 29		
Conductor Decal			
F231146	11		
Cone			
396P4	99		
397P4	99		
398P4	99		
Contactors			
F330175P	13, 17, 93		
F330177P	13, 17, 93		
F330178P	93		
F330179P	93		
F330180P	93		
F330182	93		
F330187P	93		
F330188P	93		
Control Box Assembly			
F634236-1	17		
Control Module Cover			
F634175	17		
Control Panel Assembly			
F0636582-00	55		
F0636582-01	53		
F0636957-00	53, 55		
F0636960-00P	55		
F0636960-01	53		
F0636962-00	55		
F0636962-01	53		
Control Panel Decal			
F0231499-00	35		
F0231590-31	35		
F0231592-32	35		
F0231597-31	35		
F0231597-32	35		
F0231599-31	35		
F0231599-32	35		
F0231600-32	35		
F0231609-00	35		
F0231617-00	35		
F0231619-01	35		
F0231620-00	35		
F0231622-00	35		
F200017941	35		
F200020941	35		
F200021141	35		
F200021241	35		
F200185511	35		
F200185521	35		
F200185531	35		
F200185541	35		
F231472	35		
F231473	35		
F231475	35		
F231476	35		
F231477	35		
F231479	35		
F231488	35		
F231537	35		
F231538	35		
F231540	35		
F231541	35		
F231542	35		
F231544	35		
F231577	35		
Cotter Pin			
F430401	85, 91		
Counterclockwise Spin Rotation Decal			
F230693	11, 45		
Cycle Selector Switch			
F340442	15, 19		
Cycle Timer			
F160301P	15, 19		
F160304P	15, 19		
F200110300P	15, 19		

N/A items do not appear in index.

Cycle Timer Indicator Cover F150249.....	15, 19
Cycle Timer Indicator Kit F730525.....	15, 19

D

DC Power Cable F140202.....	21, 25
Digital Display Decal F230803.....	21, 25
Digital Display LED CCA F370424-1.....	25
Disconnect Power Warning Label 505281.....	11
Do Not Lift Decal F230216.....	11
Door F602837-1..... F602842-2.....	47 47
Door Assembly F060323905..... F060390105..... F603239-4..... F603901-4..... F604079-4..... F604079-5..... F8150301..... F8150401..... F8150501.....	47 47 47 47 47 47 47 47 47
Door Bezel F0170426-00..... F0170426-10..... F170416-1..... F170416-2..... F170417-1..... F170417-2.....	53, 55 53, 55 53, 55 53, 55 53, 55 53, 55
Door Gasket F017012302..... F017012402..... F170123..... F170124..... F200000200..... F200000202.....	45 45 45 45 45 45
Door Glass F290208P.....	45
Door Glass Kit F290205P..... F290207P.....	45 45
Door Handle F150225.....	45
Door Handle Kit F730155.....	45
Door Hinge F190216P.....	47
Door Hinge Shim Kit F200131000P.....	47
Door Lock Assembly F0636698-06P.....	41
Door Lock Assembly Cover F603003.....	41, 43
Door Lock Catch Casting F150261.....	41, 43

Door Lock CCA F370430-1P..... F370430-3P.....	19 19
Door Lock Kit F0798839-00..... F0798839-01.....	43 43
Door Lock Microswitch F200203200.....	41, 43
Door Lock Pin Linkage F150455.....	41, 43
Door Lock Pin Release Spring F310137.....	41, 43
Door Lock Plate Assembly F8066701.....	43
Door Lock Plate Shim F8059701.....	41, 43
Door Lock Plate Sub-Assembly F0636676-00.....	41
Door Lock Retainer Latch F0636103-00.....	43
Door Lock Solenoid F0300131-00P.....	43
Door Lock Splash Shield F320200.....	41, 43
Door Lock Spring F310125.....	45
Door Lock Switch Lever F0636636-00.....	41, 43
Door Lock Time Delay F200025200P.....	17
Door Lock Torsion Spring F310110.....	41, 43
Door Lock Wire Harness F634301.....	41
Door Locking Linkage Pin F431231.....	41, 43
Door Mount F150271.....	47
Door Release Solenoid F300128P.....	43
Door Spacer F0150273-00.....	45
Door Switch F340200.....	41
Door Warning Label 81968.....	11
Drain Connector Tee F8017101.....	75
Drain Hose F150356..... F200123400..... F200123500..... F200185200..... F200185300.....	73 75 75 75 75
Drain Motor F380943P.....	69, 71
Drain Pump F270119P.....	79
Drain Tee F150398.....	75
Drain Valve F038062800..... F038062900..... 803293.....	71 71 69

N/A items do not appear in index.

Drain Valve Assembly	
F602920	69
F603175	69
Drain Valve Cover	
F200133600	69, 71
Drain Valve Kit	
F200166300	71
F200166302	71
F200166400	71
F200166402	71
Drain Valve Motor	
F380932P	69, 71
F380933P	69, 71
F380972P	69, 71
Drain Valve Motor and Gear Box Assembly	
G159764P	69, 71

E

Elbow	
70079601	97
Electrical Panel Sub-Assembly	
F0607746-01	15
Element	
F360205P	93
E-Ring Retainer	
F310205	41, 43
Excluder Seal	
F8336801	59
F8336901	59
F8337001	59
F8337101	59
Extension Spring	
F310124	85, 91
External Supply Connection Decal	
F231376-1	67
F231376-2	67
F231376-3	67
F231376-5	67
F231376-6	67
External Supply Fuse Decal	
F231271	67

F

Female Pin Terminal	
00430	21, 25, 29, 31
Fill Hose	
F150372	65, 75
Filter	
F270305	81
F270306P	81
Filter Housing Cap Gasket	
F270407	81
Flange Relay	
F330227	15, 17
F330230	15, 17
Frame Assembly	
F0637645-00	63
F606178	63
F607003	63
F607005	63
F630232	63

Frame Weldment	
F0636108-00	63
F200195300	63
Front Drain Hose	
F0200240-00	75
F150312	75
F8035801	75
Front Panel	
F634666-2	53
F634666-5	53
F634682-2	55
F634682-5	55
F634682-6	55
F634836-6	55
F8200301P	55
F8200302P	53, 55
F8200401P	55
F8200402P	53
F8200501P	55
F8200502P	53
F8200601P	55
F8200602P	53

Fuse	
F350110	17
F350115	67
F350117	15, 17
F350125	17
F350127	21, 25
F350141	15, 17
Fuse Decal	
F231354	15, 17
F231393	17
F231394	17
Fuse Holder	
F0350312-10	15, 17, 67
Fuse Holder Bracket	
F633512	67

G

Gravity Drain Valve	
803292	69
Grommet	
F170615	67
F200139500	67
Ground Decal	
F230630	11
F230739	11
Ground Terminal Lug	
F140734	67

H

Heating Element	
F0360210-00	93
F360206P	93
Heating Element Plug	
F360202	93, 97
Hose	
F200155P	79
F609748-1	79
F609748-4	79
F609748-5	79

N/A items do not appear in index.

Hose Clamp	
F200204	77, 79
F200213	65, 73, 75, 77, 79
F200215	71, 73, 75, 77
F200217	79
F200222	73, 75
36801	65

I

Injection Nozzle	
F8322001	65
Injection Nozzle Kit	
F730168	65
Input Power Block	
F140747	67
F140748	67
Input Power Block Insulator	
F0230111-00	67
Input Power Connection Box Cover	
F602533	67

K

Key	
F160420	33
F430801	83, 89
F430802	85, 91
70155603	49

L

L-Catch Kit	
F746808	41, 43
Left Side Panel	
F0636136-00P	51
F0636595-00P	51
F8155601P	51
F8155901P	51
F8156701	51
F8157401P	51
F8159901	51
F8160101P	51
Lid Clamp Assembly	
F630430	49
Lid Lock Pin	
F0190808-00P	49
Light	
F350411	37
F350413	37
F350420	37
F350422	37
F350430	37
F350431	37
Liquid Supply Decal	
F230877	11

M

Magnet	
F8390801	47

Magnetic Switch	
F0340723-00	47
Magnetic Switch Assembly	
F200321200	47
Male Connector	
F140571	21, 25, 29, 31
Manual Fast Advance Decal	
F230756	11
Module Box Assembly	
F0636876-01	13
Module Box Cover	
F0637179-00	13
Momentary Switch	
F200120100	37, 39
F340412	37, 39
Motor	
F022012800P	85
F160537	15, 19
F160539	15, 19
F220352	85
F220353	91
F220354P	91
F220389	85
F8329301P	85
F8329401P	85
F8329601P	85
F8329701P	85
F8329801P	85
F8329901P	85
F8330001P	91
F8330101P	91
F8330201P	91
F8330301P	91
F8330401P	91

Motor Bearing	
F100109P	61
F100124	91
Motor Conversion Kit	
F8353501P	85
Motor Drip Shield	
F200216900	85, 91
F200280700	91
Motor Pulley	
F280281	87
Motor Retrofit Kit	
F0798912-00	91
Motor Support Bushing	
F200186100	85, 91
Motor Support Rod	
F602844	85
F603059	85, 91
F603897	91
Motor Switch	
F340002	13, 19

N

Nipple	
F420708	97
Nut	
F0431807-00	65
F421962	93, 97
F430211	17
F430215	13, 17, 47, 57, 73, 75, 77, 79, 97

N/A items do not appear in index.

F430218	63
F430225	41, 43
F430231	13, 15, 19, 41, 65, 79, 93
F430232	39, 41, 43, 45, 77
F430233	51, 53, 55
F430239	61
F430240	61
F430243	21, 25
F430264	41, 43, 47, 53, 55
F431017	41, 43
F431022	15, 45, 67
F431024	49, 51
F431041	45
802292	65

O

Optic Switch Kit	
F775801-01P	21, 25, 29, 31
O-Ring	
F170208	65
Overflow Hose	
F0200238-00	75
F150332	73, 75
F200125800	75
Overflow Plug	
F150352	71, 77, 79
Overload Contactor	
F8176101P	13, 17
F8344001P	13, 17
F8344101P	13, 17

P

Personal Injury Warning Decal	
F231065	11
Pipe	
F603827-1	79
Pipe Insulation	
F410300	97
Pipe Nipple	
70214101	97
70435601	97
Plug	
F150443	77, 79
F200202600	95
Pop Rivet	
F431215	21, 25, 29, 31
Power Supply CCA	
F370411-1P	21, 25
F370411-2P	21, 25
Power Supply Harness	
F0141904-00P	21, 25
F0141904-01P	21, 25
Pressfit Upgrade Kit	
F935P3	59
F936P3	59
F938P3	59
F939P3	59
F942P3	59
Pressure Switch	
F8134601P	13, 17

Pulley	
F280105P	91
F280168	83
F280170	87
F280173	89
F280197	89
F280284	87
F280416	87
F280422P	91
F280423	87
F280427P	87
Pulley Bushing	
F280298P	87
Pump	
F200000900P	79
F270104P	79
F634463P	77
Pump Drain Outlet Hose	
F150482	77
Pump Drain Rear Connecting Bracket	
F604147	77, 79
Pump Drain Trap Assembly	
F630326P	79
Pump Drain Trap Mounting Bracket	
F609694	79
Pump Drain Trap Weldment	
F633819	77
Pump Inlet Hose	
F634177	77
Pump Mounting Bracket	
F634114	77
Push Red Button Decal	
F230661	45
Pushbutton Rod	
F320300	45

R

Rear Drain Hose	
F0200239-00	75
F150311	75, 77
Rear Panel	
F0636220-00P	51
F0636321-00P	51
F200022900P	51
Rear Panel Kit	
F757000	51
F757001	51
F757002	51
Rear Pump Drain Hose	
F150343	77, 79
Red Dot Decal	
F230662	45
Relay CCA	
F370413P	15, 19
F370414P	15, 19
F370440P	15, 19
Remote Pay Harness	
F200120300	39
F200120301	39
Remote Pay Icon Decal	
F0231615-00	39
F0231615-01	39

N/A items do not appear in index.

Remove Door Lock Tag	
F230528	11
Replacement Filter	
F270405	81
F270406	81
Resistor	
F370112	83, 89
F370116	89
Retaining Ring	
F8337801	61
F8337901	61
F8344901	61
F8345001	61
Ribbon Cable	
F140243P	25
Right Side Panel	
F0636135-00P	51
F0636594-00P	51
F8155501P	51
F8155701P	51
F8156601	51
F8157301P	51
F8160001	51
F8160301P	51
Rocker Switch	
F340411	39
Rod	
F602813-2	47
F602813-3	47

S

Screw	
F0430268-00	65
F430100	89
F430103	73, 75
F430107	13, 17, 51, 77, 79
F430108	83, 89, 97
F430115	97
F430156	17
F430174	17, 25, 49, 51, 53, 55, 67
F430177	19, 65
F430179	77
F430518	57
F430519	79
F430532	45
F430533	45
F430536	47
F430903	67
F430910	15, 19, 79
F430916	13, 15, 19, 47, 67, 93
F430917	15
F430925	51
F430927	83
F430942	63
F430948	15, 19, 67, 93, 97
F430949	61
F430956	41, 43, 53, 55, 65
F430976	45
F430977	41, 43
F430982	41, 43
F430987	61
M400056	51
201415	19
Shaft Seal	
F100208	61

Shaft Seal Sleeve	
F8312001P	59
F8312002P	59
F8312003P	59
F8312005P	59
F8312008P	59
Shaft Seal Sleeve Kit	
F8343901P	59
F8343904P	59
F8343906P	59
F8343909P	59
Sheave	
F0280385-00	91
H87520334	87
Sheave Pulley	
F280170	87
F280172	83
Shell Band Assembly	
F631977	57
Shell Band Kit	
F741700	57
F741701	57
F741702	57
Shell Front Assembly	
F0636283-00P	57
F632006P	57
Shell Front Gasket Kit	
F792000	57
Shell Front Kit	
F741300P	57
F741302-01	57
Shell Weldment	
F063597402P	63
F063638801	63
F0636460-00	63
F0636555-00	63
F063659201	63
F0636601-00	93, 95
F0636700-00	93, 95
F0636704-00	93, 95
F0636747-00	93, 95
F0637054-00	93, 95
F0637659-00	63
F0637661-00	93, 95
F8196202	93
F8196204	95
Side Panel	
F0635981-00P	51
F0635982-00P	51
F0636299-00	51
F0636300-00P	51
F0636515-00P	51
F0636516-00P	51
F0637628-00P	51
F0637630-00P	51
Siphon Tube	
F150390	65
Snap Bushing	
F140938	67
Solenoid	
F300124P	41
Spacer	
F431901	41, 43
Spin Rotation Decal	
F230914	11, 45

N/A items do not appear in index.

Spring Pin F431222	45
Standoff F180506	15, 17, 67
Start Assembly F063686700	39
F063686701	39
F063686702	39
F063686703	39
F200120500	39
Start/Stop Kit F730016P	35
Steam Bracket Assembly F601186	97
Steam Control Harness F8286801	97
F8289001	97
Steam Hose F200153P	97
F200154	97
Steam Injector Tube Assembly F603131	97
Steam Valve F380786P	97
F380787P	97
Steam Valve Repair Kit F380984P	97
Strainer F270200	65
Sump Drain Hose F0150524-00	73
Supply Dispenser F602374-3P	65
Supply Dispenser Assembly F200202201	65
Supply Dispenser Baffle F150419	73, 75
Supply Dispenser Bezel F0150503-00	65
Supply Dispenser Hose F0200236-01	75
F8061601	75
F8071701	73, 75
Supply Dispenser Lid F200270500	49
Supply Dispenser Standoff F0150504-00	65
Switch F340430	19
Switch Clamp F0340722-00	13, 19
Switch Panel Assembly Decal F230918	39
Switch Panel Decal F230918-2	39
F231448	39
Switch Plate Sub-Assembly F633092-1	39
F633098	39

T

T-Bolt Fastener F0432320-00	53, 55
Template F450127	99
F450246	99
Terminal F140766	67
Terminal Block M413865	67
Terminal Strip F140738	15, 17
Terminal Strip Insulator Decal F140912	15
F140913	15
F140914	15, 17
F140915	15
F140916	15
Thermostat F290111P	93, 97
Time Delay Assembly F200025400	17
Timer Mounting Bracket F635541	15, 19
Top Cover Assembly F063618900P	49
F063632700	49
F063652000P	49
F063659800P	49
F063664000P	49
F063771200P	49
Transformer C000203	13, 17, 79
F360117P	13, 17
F360156P	13, 17, 79
Transformer Mounting Bracket F200167700	13, 17, 79
Trim F015050100P	47
Triple Lip Seal F8203801	61
F8203802	61
F8203803	61
F8203805	61
F8203806	61
Trunnion Kit F747001	61
F747002	61
F747003	61
F747004	61
F747005	61
Tubing F606192-5	79

U

U-Bolt Clamp F200401P	77, 79
--------------------------------	--------

V

Vacuum Breaker Assembly	
F603031	65
Vacuum Breaker Bottom	
F150330	65
Vacuum Breaker Fill Hose	
F0150340-01	65, 73, 75
Vacuum Breaker Hose	
F0200244-00	65
F0200244-01	65
F150321	65, 75
F150340	65, 75
Vacuum Breaker Top	
F0150329-00	65
Valve Panel Assembly	
F0636138-00	51
F0636138-01	51
F0636297-00	51
F0636297-01	51
F0636521-00	51
F0636521-01	51
F0636524-01	51
Valve Panel Sub-Assembly	
F0636524-03	51
Valve, 3-Way	
F0381736-00P	65
F0381737-00P	65
F0381738-00P	65
F0381750-00P	65
F0381765-00P	65
F0381766-00P	65
F0381769-00P	65

W

Washer	
F0430348-00	51
F0431159-00	83
F430303	63
F430311	13, 19, 21, 39
F430317	57, 73, 75, 77, 97
F431100	17, 41, 43
F431108	19
F431113	15, 45, 67
F431115	89
F431123	15, 19, 41, 43
F431128	61
F431131	61
F431147	41, 43, 49
F431902	41, 43
F431916	45
M400081	63
20290	81
803615	81
901690	79, 85, 91
Water Hose	
F200108P	65
F200116	81
F200164	81
F200165	81
F200166	81

Water Level Switch	
F0340343-00P	13, 17
F0340345-00P	13, 17

Y

Y Connector	
F422808	65
