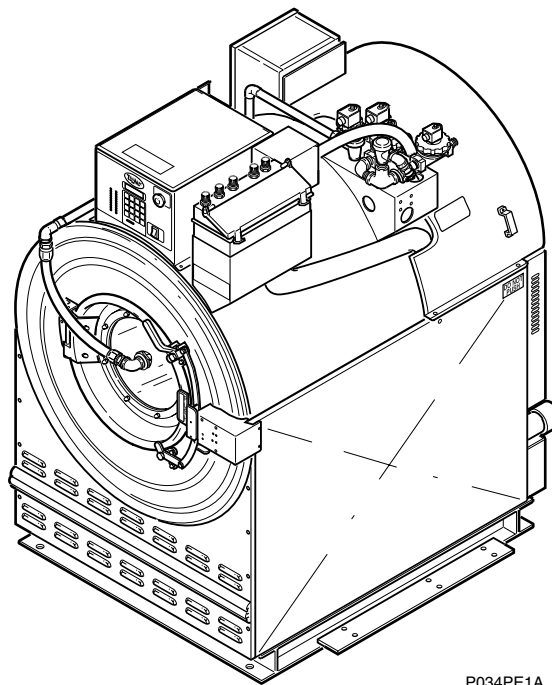


Washer-Extractor

Pocket Hardmount

Models UW80PV* and UW100PV*

*This manual applies to models with U1, U2, U3 or U4
in the 7th and 8th positions in the model number
(e.g. UW80PVU10001)



P034PE1A

Table of Contents

Title	Page
Parts Ordering Information	2
Nameplate Location	2
Model Identification	3
Decals	4
Control Module	6
Control Module	8
Control Module	10
Control Module	12
Control Module	14
Balance Switch and Temperature Probe	16
Front, Rear and Side Panels	18
Door and Spray Tube Assembly	20
Door Lock	22
Basket, Shell and Frame	24
Supply Dispenser	26
Water Supply Valve and Hoses to Supply Dispenser	28
Water Supply Valve and Hoses to Supply Dispenser	30
Spray Plumbing Assembly	32
Fill Plumbing Assembly	34
Drain System, Overflow and Vent Pipes	36
Motor, Pulley and Bearing Assemblies	38
AC Drive	40
Electric Heat Option	42
Steam Heat Option	44
Security Fasteners	46
Parts Index	47

© Copyright 2002, Alliance Laundry Systems LLC

All rights reserved. No part of the contents of this book may be reproduced or transmitted in any form or by any means without the expressed written consent of the publisher.

Parts Ordering Information

Alliance Laundry Systems is not responsible for personal injury or property damage resulting from improper service. Review all service information before beginning repairs.

If literature or replacement parts are required, contact the source from whom the machine was purchased or contact Alliance Laundry Systems at (920) 748-3950 for the name of the nearest authorized parts distributor.

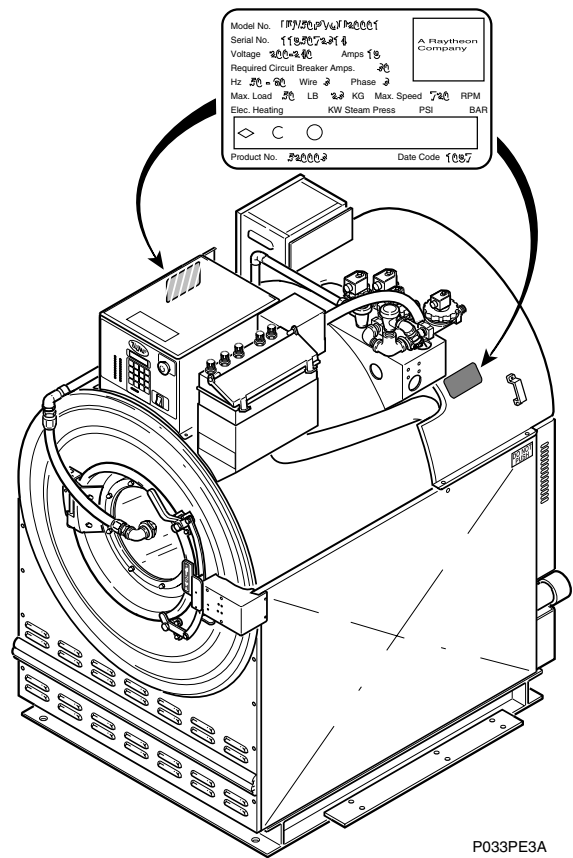
For technical assistance, call either of the following numbers:

(850) 718-1026
Marianna, Florida

(920) 748-3121
Ripon, Wisconsin

Nameplate Location

When calling or writing about your product, be sure to mention model and serial numbers. Model and serial numbers are located on nameplate(s) as shown.



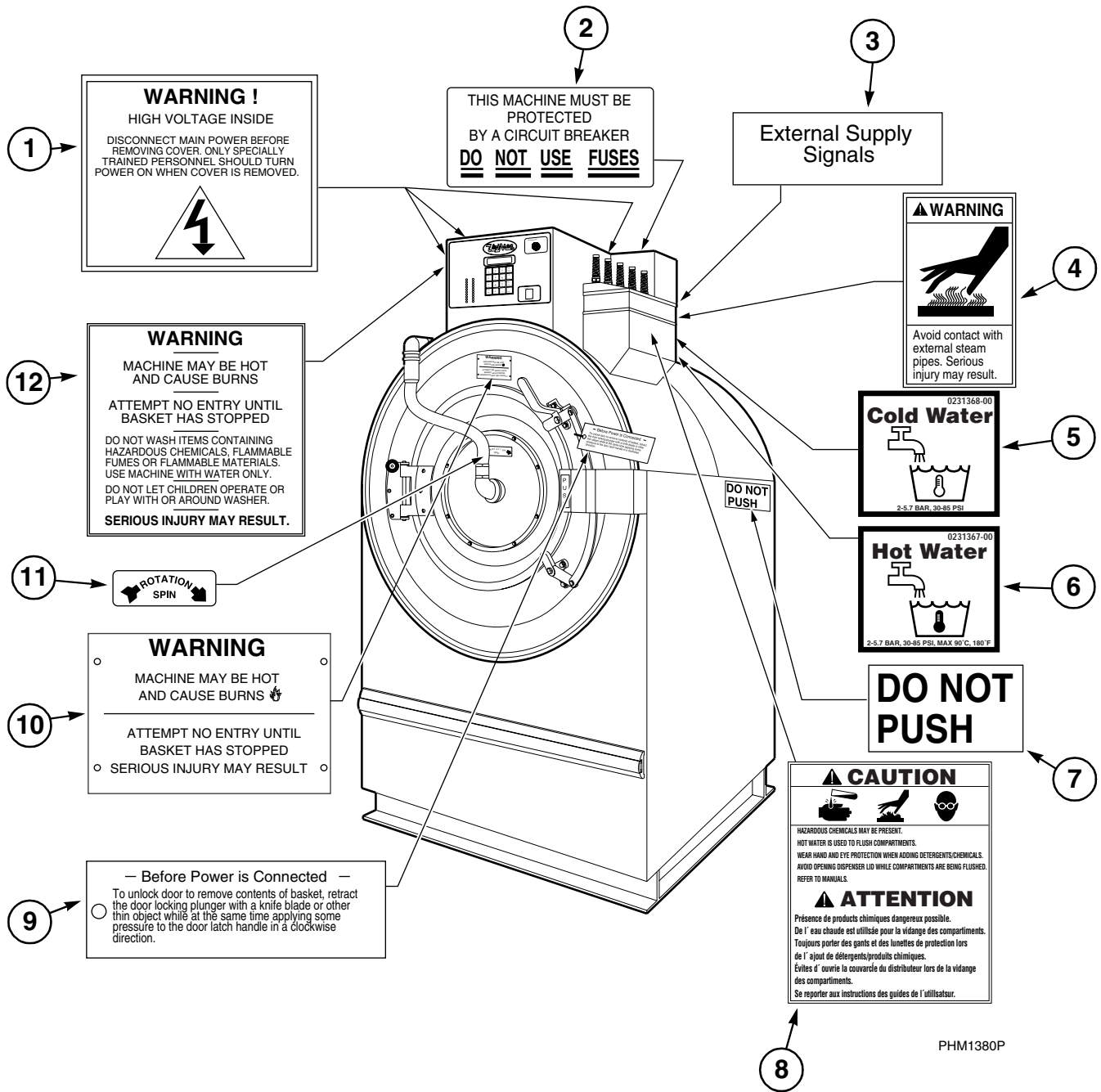
Model Identification

UW80PV*

UW100PV*

*This manual applies to models with U1, U2, U3 or U4
in the 7th and 8th positions in the model number
(e.g. UW80PVU10001)

Decals

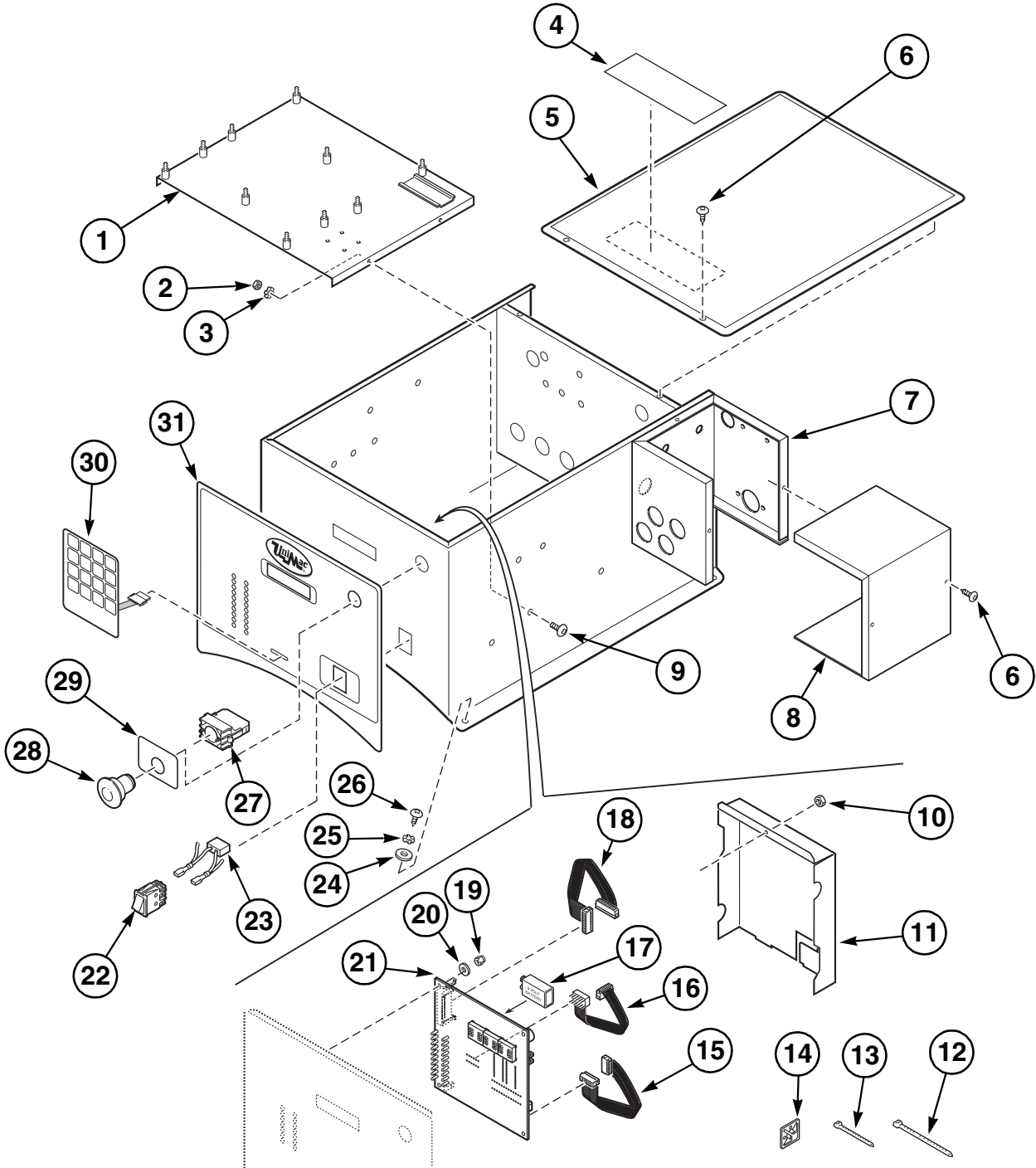


PHM1380P

Decals

REF	PART #	DESCRIPTION	COMMENTS
1	F230206	Decal	Warning: High voltage
2	F230301	Decal	This much must be protected
3	F230764-3	Decal	External supply connections; N and P-voltage models
	F230764-6	Decal	External supply connections; Q and T-voltage models
4	F231380	Decal	Warning: Hot surface
5	F231368	Decal	Cold water valve
6	F231367	Decal	Hot water valve
7	F230302	Decal	Do not push
8	F231436	Decal	Caution: Supply dispenser hazard
9	F230501	Tag	Before power is connected
10	F230218	Plate	Warning: Attempt no entry
11	F230652	Decal	Clockwise rotation spin
12	F231065	Decal	Warning: Personal injury

Control Module



PHM1938P

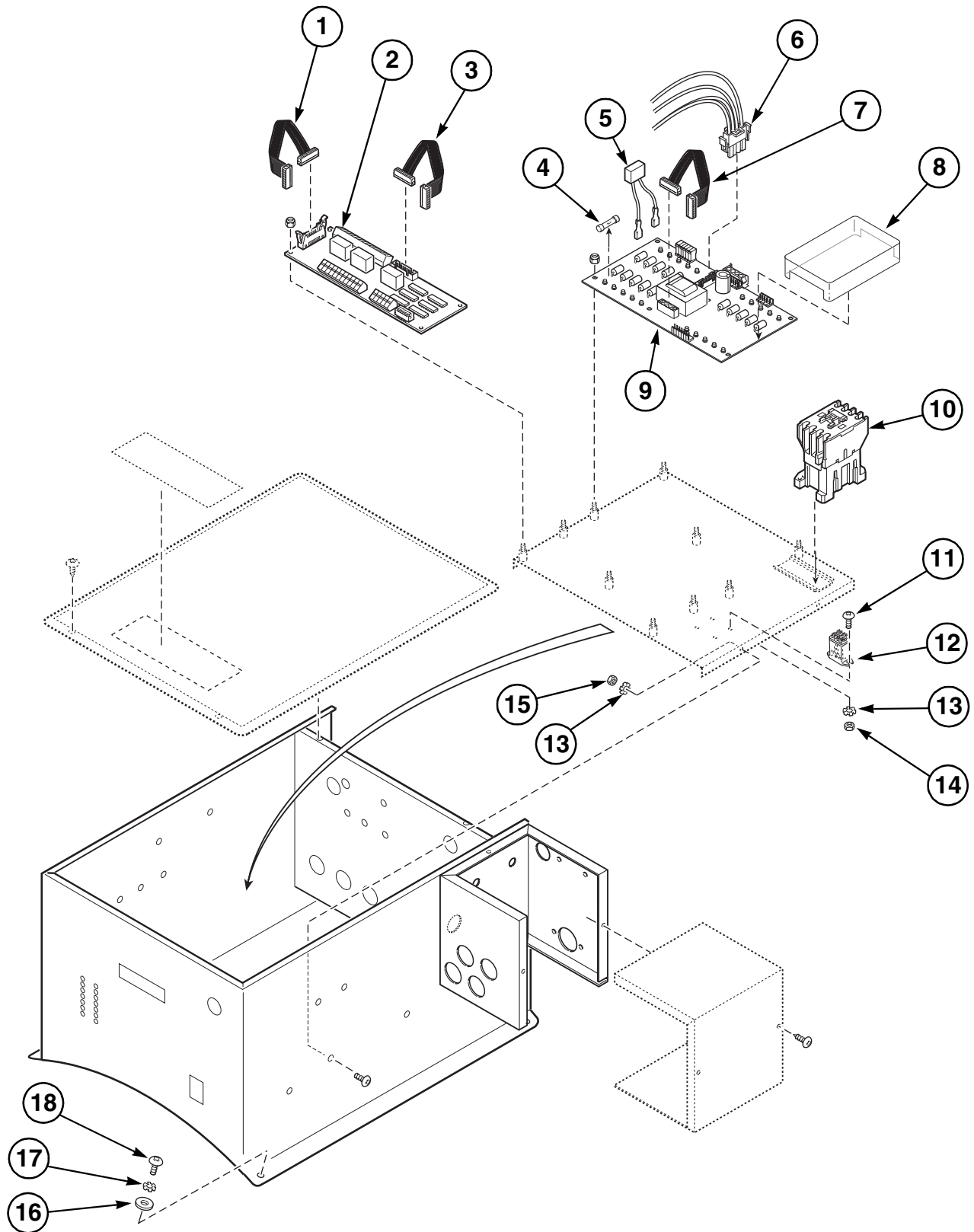
Control Module

Page 1 of 5

REF	PART #	DESCRIPTION	COMMENTS
1	F608385	Control Mounting Panel Assembly	
2	F431022	Nut	
3	F431113	Lockwasher	
4	F230206	Decal	Warning: High voltage
5	F634558	Control Module Top	
6	F430174	Screw	
7	F633434	External Supply Box	
8	F633435	External Supply Box Cover	
9	F430928	Screw	
10	F431000	Nut	
11	F606826	Computer Cover	
12	F140606	Tie	15 inches
13	F140605	Tie	6 inches
14	F140602	Clamp	
15	F140218	Flat Ribbon Cable	16 conductor; 12 inch; From interface board to computer board
16	F140223	Flat Ribbon Cable	16 conductor; 8 inch; From computer board to interface board
17	F191101	Battery	9 Volt; Backup
18	F140219	Flat Ribbon Cable	26 conductor; 15 inch; From microcomputer board to fuse board
19	F430231	Locknut	
20	F431125	Washer	
21	F370534-10	WE-6 Microcomputer	UWPV standard cycles
22	F340412	Momentary Switch	
23	F330217	RC Network Filter	
24	F431123	Washer	
25	F431108	Lockwasher	
26	F430904	Screw	
27	F340445	Contact Block Switch	
28	F340718	Emergency Stop Pushbutton	
29	F231083	Decal	Emergency stop
30	F230724	Decal	WE-6 keypad
31	F230721	Decal	WE-6 module front

Control Module

Page 2 of 5



PHM1939P

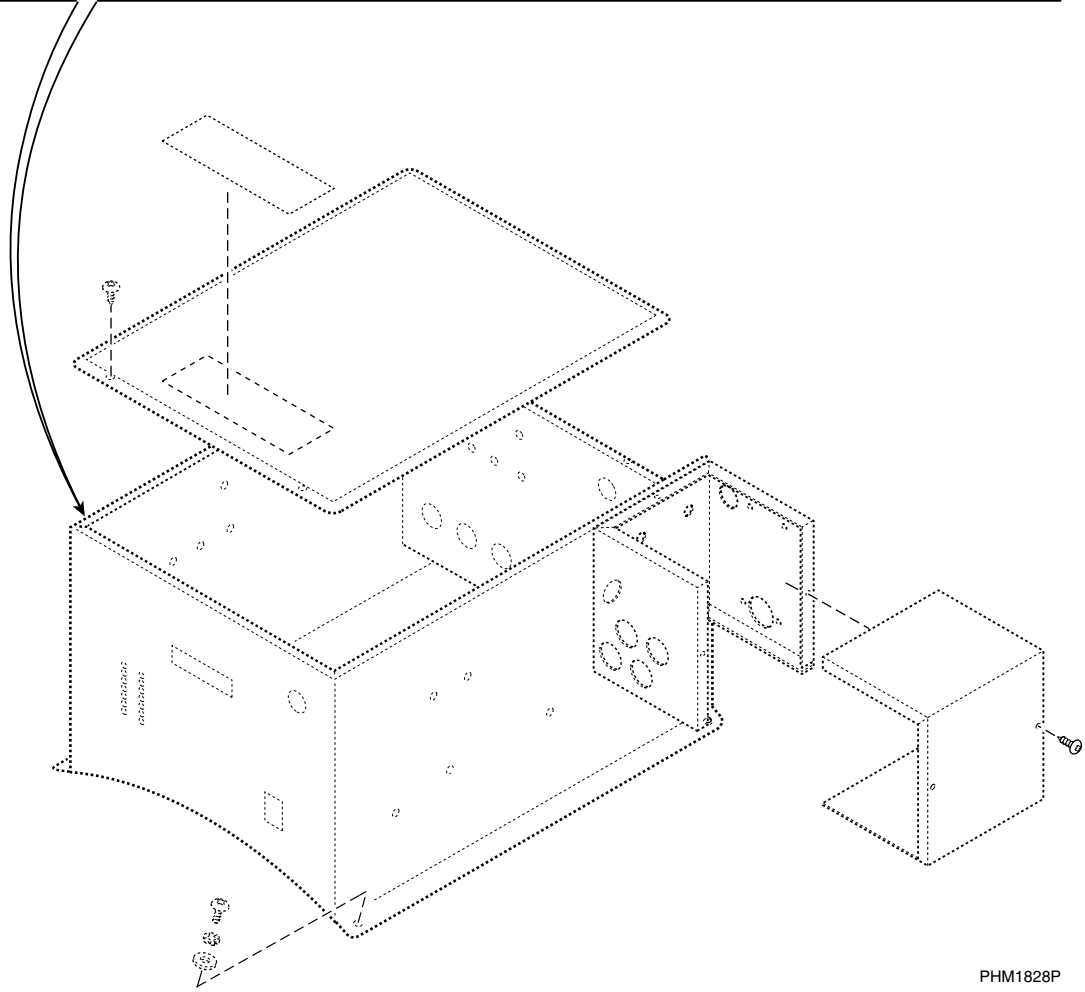
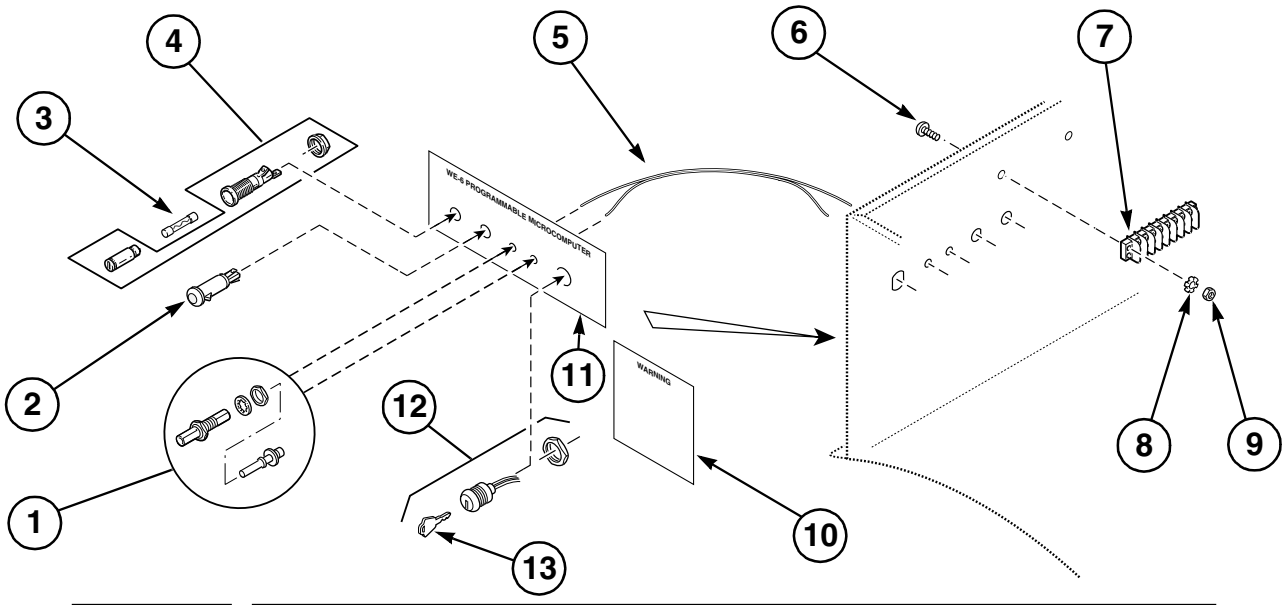
Control Module

Page 2 of 5

REF	PART #	DESCRIPTION	COMMENTS
1	F140218	Ribbon Cable	16-pin; 12 inches; From interface board to computer
2	F370446-1	Interface Board	
3	F140223	Ribbon Cable	16-pin; 8 inches; From computer to interface board
4	F350115	Fuse	3 Amp; Fast
	F350109	Fuse	.5 Amp; Fast
	F350133	Fuse	1.25 Amp; Fast
	F350108	Fuse	.125 Amp; Slo
5	F330217	RC Network Filter	
6	F784003	Jumper Kit	
7	F140219	Ribbon Cable	26-pin; 15 inches; From computer to interface board
8	F140421	Fuse Board Cover	
9	F370443P	WE-6 Output Board	120 Volt
	F370441P	WE-6 Output Board	220 Volt
10	F330187	Contactactor	120 volt
	F330188	Contactactor	220 Volt
11	F430928	Screw	
12	F330227	Flange Relay	120 volt
	F330230	Flange Relay	220 Volt
13	F431113	Lockwasher	
14	F430231	Locknut	
15	F431022	Nut	
16	F431123	Washer	
17	F431108	Lockwasher	
18	F430904	Screw	

Control Module

Page 3 of 5



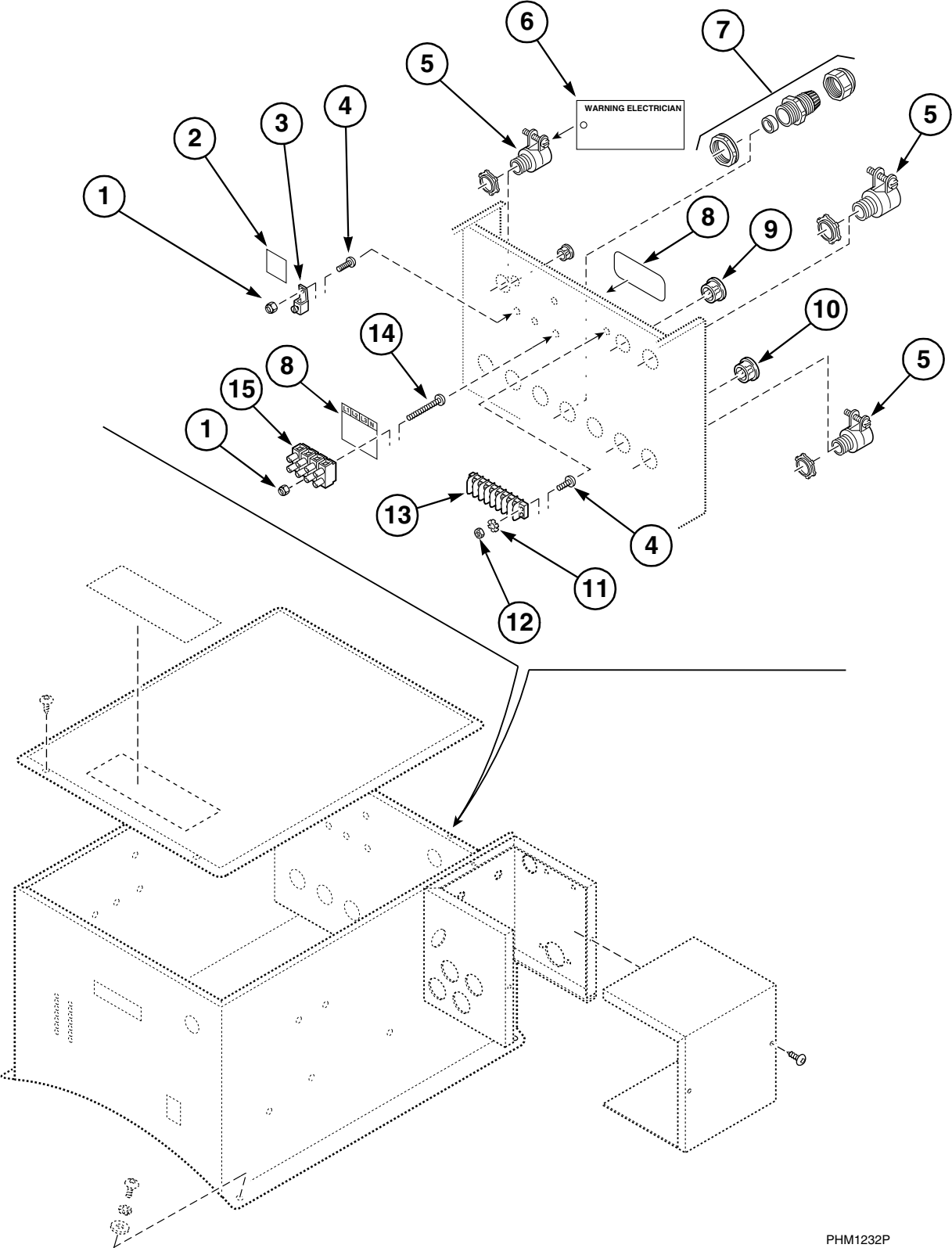
PHM1828P

Control Module

Page 3 of 5

REF	PART #	DESCRIPTION	COMMENTS
1	F140575	Feed-thru Connector	Gray
	F140576	Feed-thru Connector	Blue
2	F350412	Thermal Overload Light	120 Volt; Red
	F350414	Thermal Overload Light	220 Volt; Red
3	F350115	Fuse	3 Amp; 2 used; Used only on some models
4	F350304	Fuse Holder	Used only on some models
	F350211	Circuit Breaker	3 Amp; Used in place of items 3 and 4 on some models
5	F604713	Fiber Optic Cable	15 inches
6	F430928	Screw	
7	F140738	Terminal Strip	
8	F430305	Lockwasher	
9	F430231	Nut	
10	F231065	Decal	Warning: Personal Injury
11	F231560	Decal	Keymode switch
12	F730186	Double Pole Key Switch Kit	Includes item 13
13	F370709	Program Key	A153

Control Module



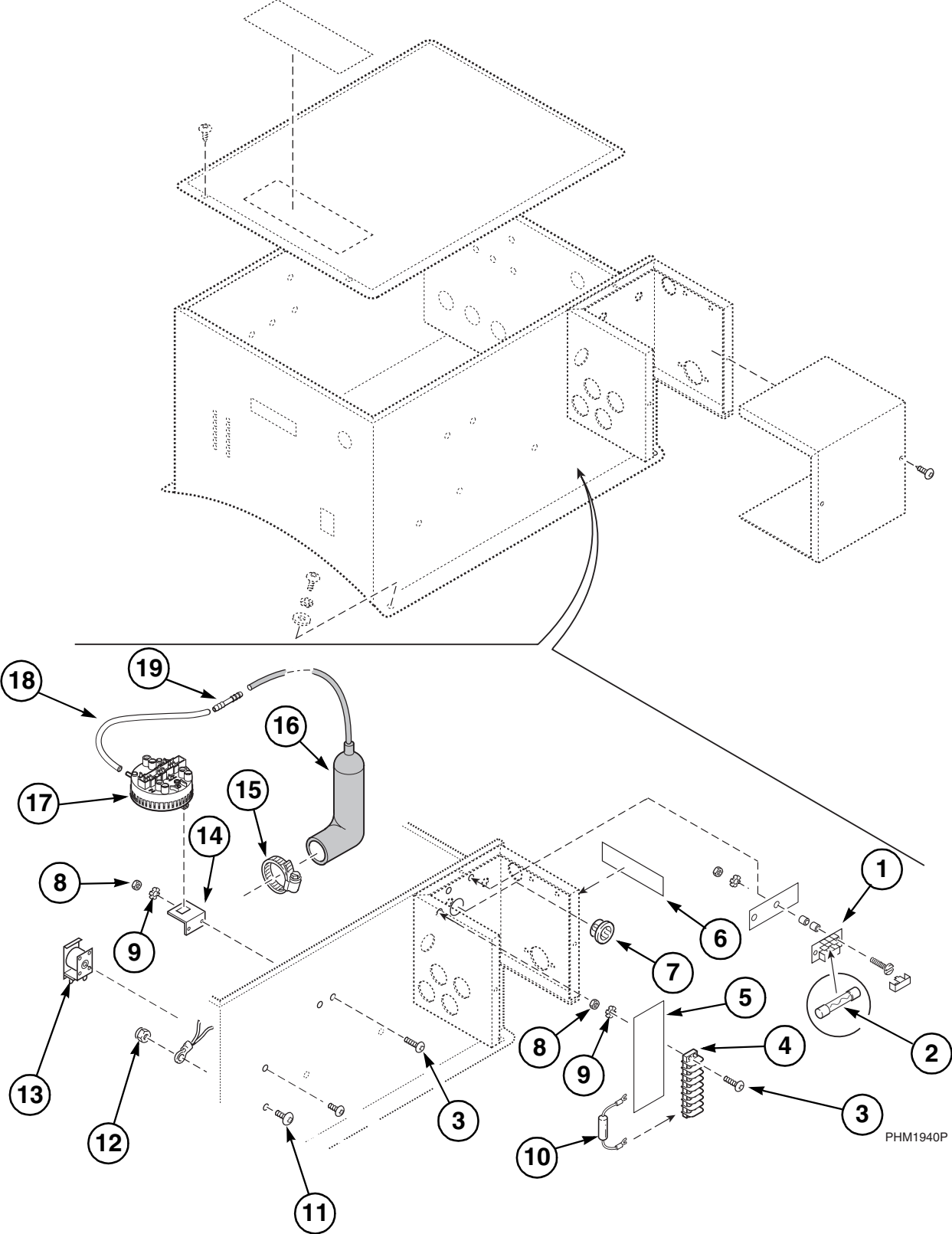
PHM1232P

Control Module

Page 4 of 5

REF	PART #	DESCRIPTION	COMMENTS
1	F431022	Nut	
2	F230630	Decal	Ground
3	F140734	Ground Lug Terminal	
4	F430928	Screw	
5	F140305	Conduit Connector	1/2 inch
6	F230215-2	Tag	Electrical requirements
7	F140309	Connector	
8	F230677	Decal	Input power connection
9	F140527	Nylon Plug	
10	F140909	Insulator Bushing	
11	F431108	Lockwasher	
12	F431006	Nut	
13	F140738	Terminal Strip	
14	F430938	Screw	
15	F140782	Input Power Terminal Block	

Control Module

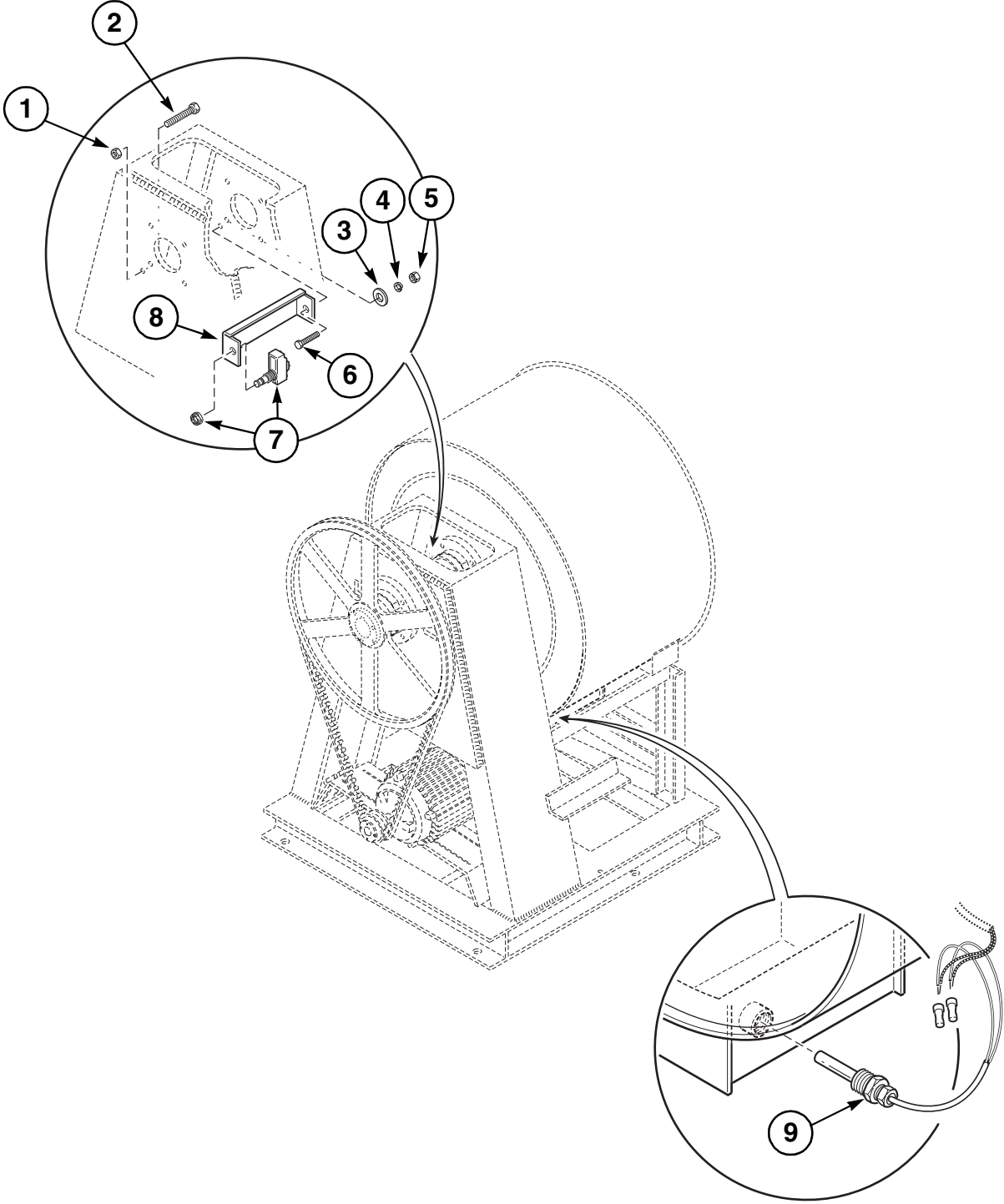


Control Module

Page 5 of 5

REF	PART #	DESCRIPTION	COMMENTS
1	F0350312-00	Dual Fuseholder	
2	F350115	Fuse	3 Amps; Fast
3	F430928	Screw	
4	F140738	Terminal Strip	
5	F230764-6	Decal	External supply connections; Q and T-voltage models
	F230764-3	Decal	External supply connections; N and P-voltage models
6	F230606	Decal	External supply connections
7	F140909	Insulator Bushing	
8	F431022	Nut	
9	F431113	Lockwasher	
10	F610765	Resistor Assembly	6k; 5w
11	F430920	Screw	
12	F431017	Nut	
13	F300203	Buzzer	120 Volt
	F300206	Buzzer	220 Volt
14	F630242	Switch Bracket	
15	F200215	Clamp	#28
16	F200163	Air Trap	
17	F340317	Tri-Level Pressure Switch	
18	F422404	PVC Tubing	Order 3 feet
19	F422500	Plastic Connector	

Balance Switch and Temperature Probe

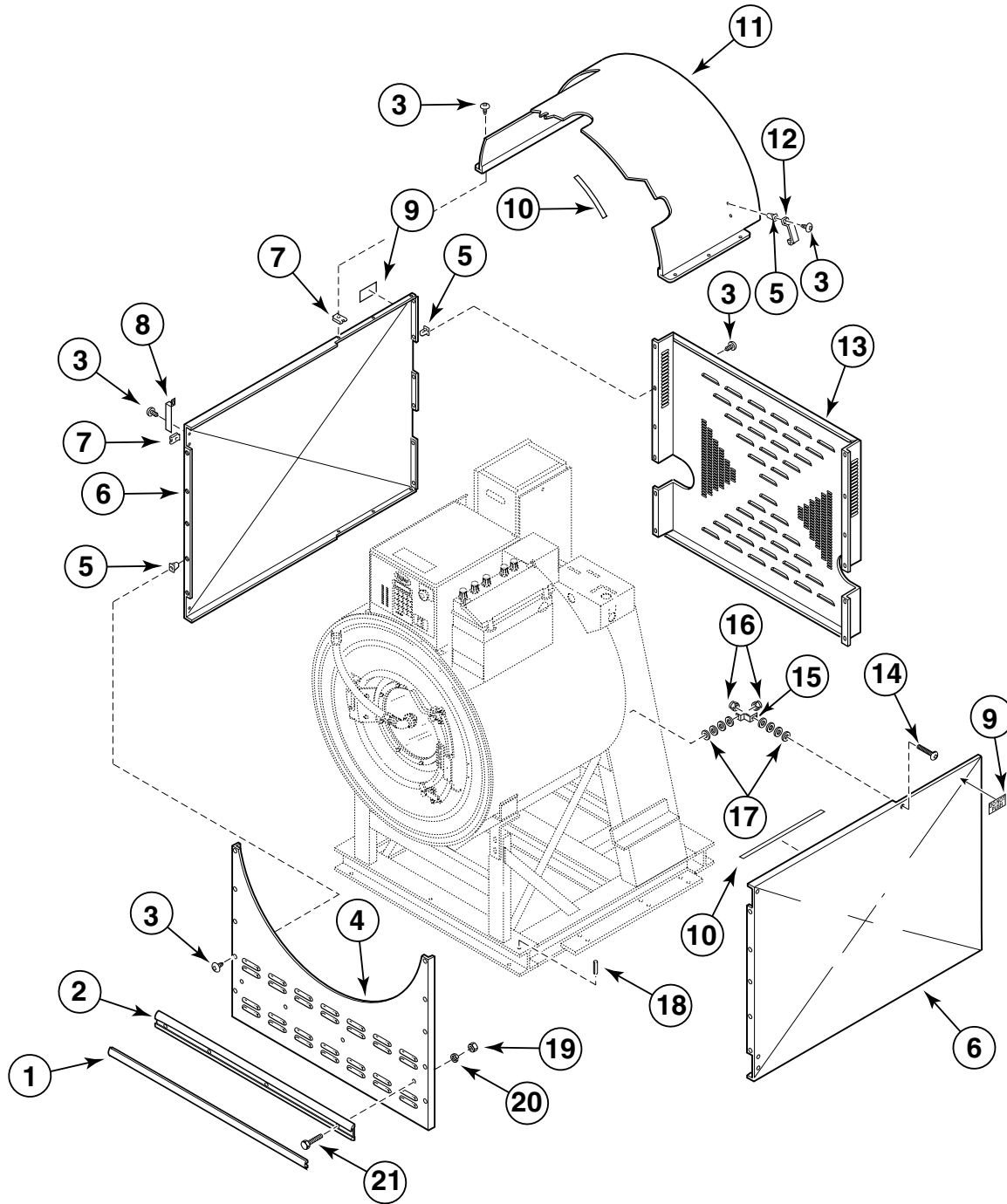


PHM1925P

Balance Switch and Temperature Probe

REF	PART #	DESCRIPTION	COMMENTS
1	F430206	Nut	
2	F0430539-00	Balance Bolt	
3	F430205	Nut	
4	F430305	Lockwasher	
5	F430301	Washer	
6	F430109	Screw	
7	F340900	Switch	
	F340921	Switch	CE mark models only
	F340924	Switch Extension	CE mark models only; Use with F340921
8	F601750	Balance Switch Bracket	
9	F370606	Temperature Probe	

Front, Rear and Side Panels

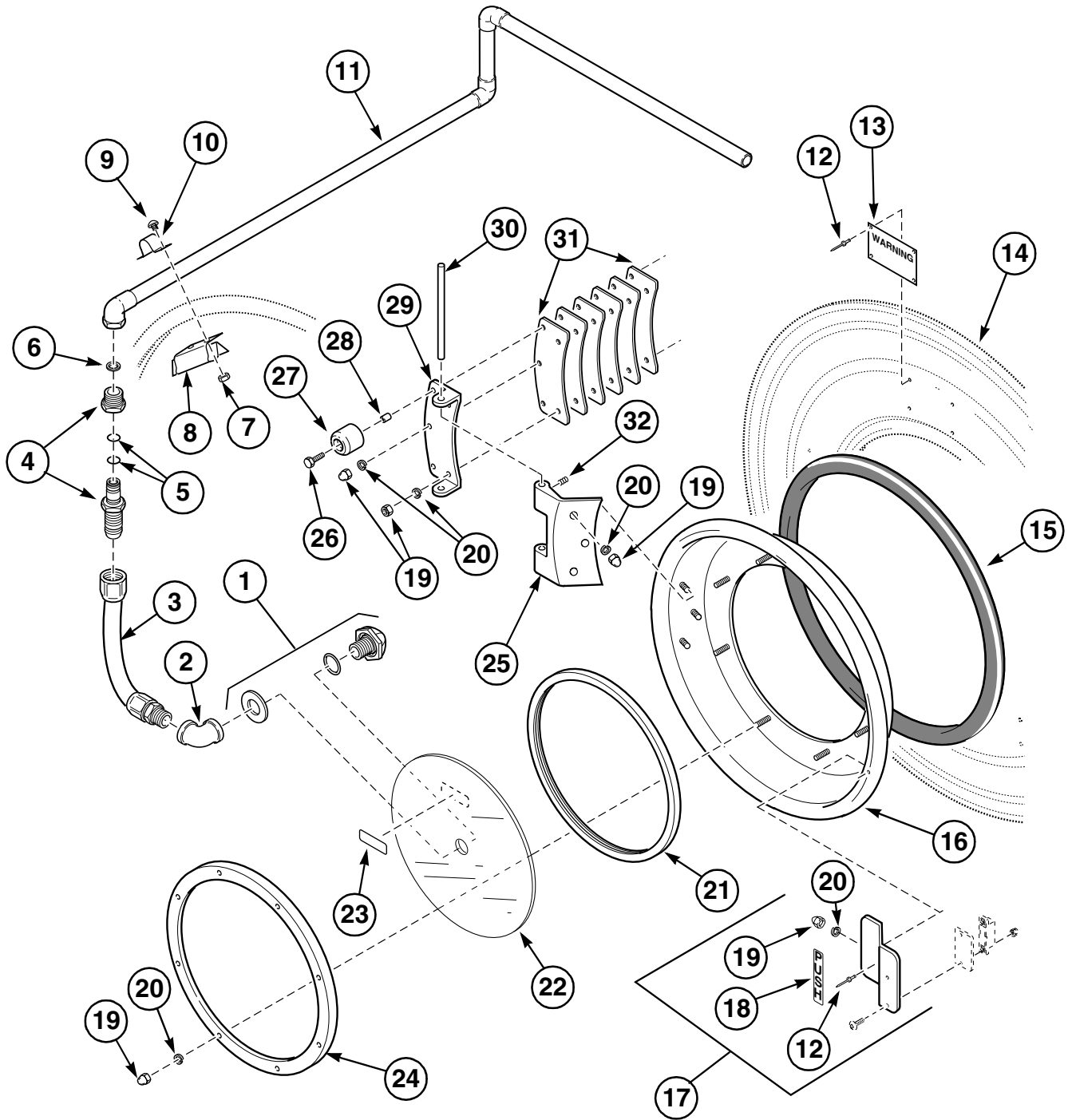


P032PE3B

Front, Rear and Side Panels

REF	PART #	DESCRIPTION	COMMENTS
1	F150397	Extrusion Insert	Order 4 feet
2	F150409	Rub Rail	
3	F430956	Screw	
4	F630502	Front Panel	
5	F431804	Nut	
6	F632404	Side Panel	UW80PV
	F632390	Side Panel	UW100PV
7	F430264	Nut	Tinnerman
8	F607262	Side Panel Cover	
9	F230302	Decal	Do not push
10	F170400	Trim	Order 4 feet
11	F632408	Cage Wrap Assembly	UW80PV
	F633394	Cage Wrap Assembly	UW100PV
12	F605324	Supply Hose Strap	
13	F633184	Rear Panel	
14	F430921	Screw	
15	F601982	Side Panel Bracket	
16	F430215	Locknut	
17	F430317	Washer	
18	F430415	Pin	
19	F430211	Nut	
20	F431100	Lockwasher	
21	F430921	Screw	

Door and Spray Tube Assembly

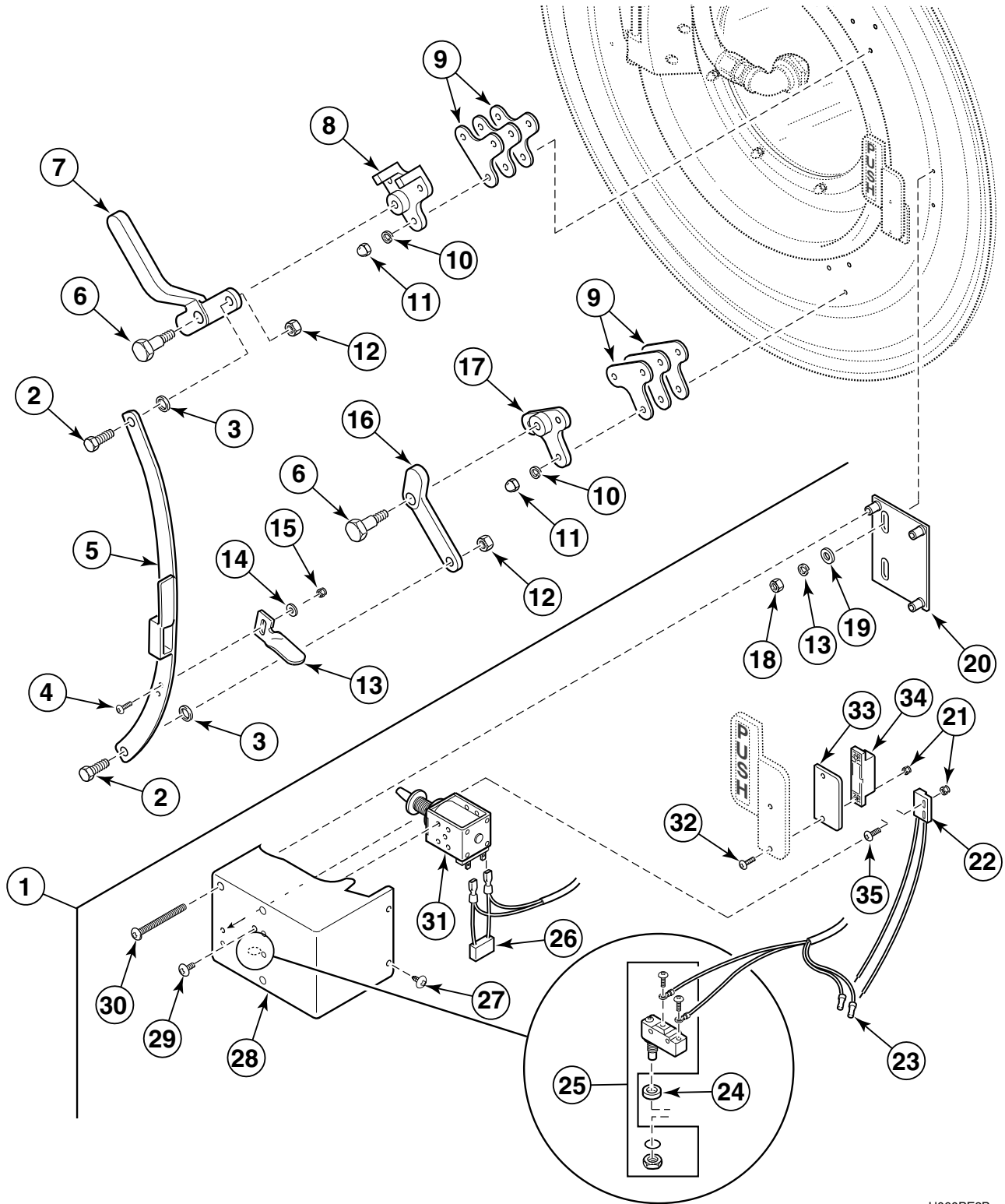


PHM1975P

Door and Spray Tube Assembly

REF	PART #	DESCRIPTION	COMMENTS
	F730540	Door Kit	Includes items 1, 12, 17, 18, 20, 21 and from page 23, item 34
1	F730077	Spray Rinse Nozzle Kit	
2	F422319	Elbow	
3	F730024	Spray Rinse Hose Kit	Includes items 4, 5 and 6
4	F422108	Swivel Coupling	
5	F170200	O-Ring	
6	F310206	Retainer Ring	
7	F431022	Nut	
8	F602901	Spray Rinse Bracket Assembly	
9	F430917	Screw	
10	F602880	Spray Rinse Strap	
11	F610364	Spray Rinse Tube Assembly	
12	F431210	Rivet	
13	F230200	Plate	Warning
14	F609191	Shell Front Weldment	
	F604223	Shell Front Assembly	Includes items 9, 10, 11, 15, 16, 22, 23, 24, 25 and from page 23, items 8, 9 and 17
15	F170145	Door Gasket	
16	F730307	Door	Studded
17	F746202-1	Push Handle Kit	
18	F230303	Decal	Push
19	F431026	Cap Nut	
20	F431100	Lockwasher	
21	F170117	Door Glass Gasket	
22	F290200	Glass	
23	F230652	Decal	Clockwise rotation spin
24	F601239	Door Glass Retainer	
25	F150209	Door Hinge Strap	
26	F430103	Screw	
27	F150366	Door Bumper Moulding	
28	F430416	Door Bumper Bushing	
29	F150210	Door Butt	
30	F601815	Door Hinge Pin	
31	F610695	Door Butt Shim	
32	F430502	Screw	

Door Lock

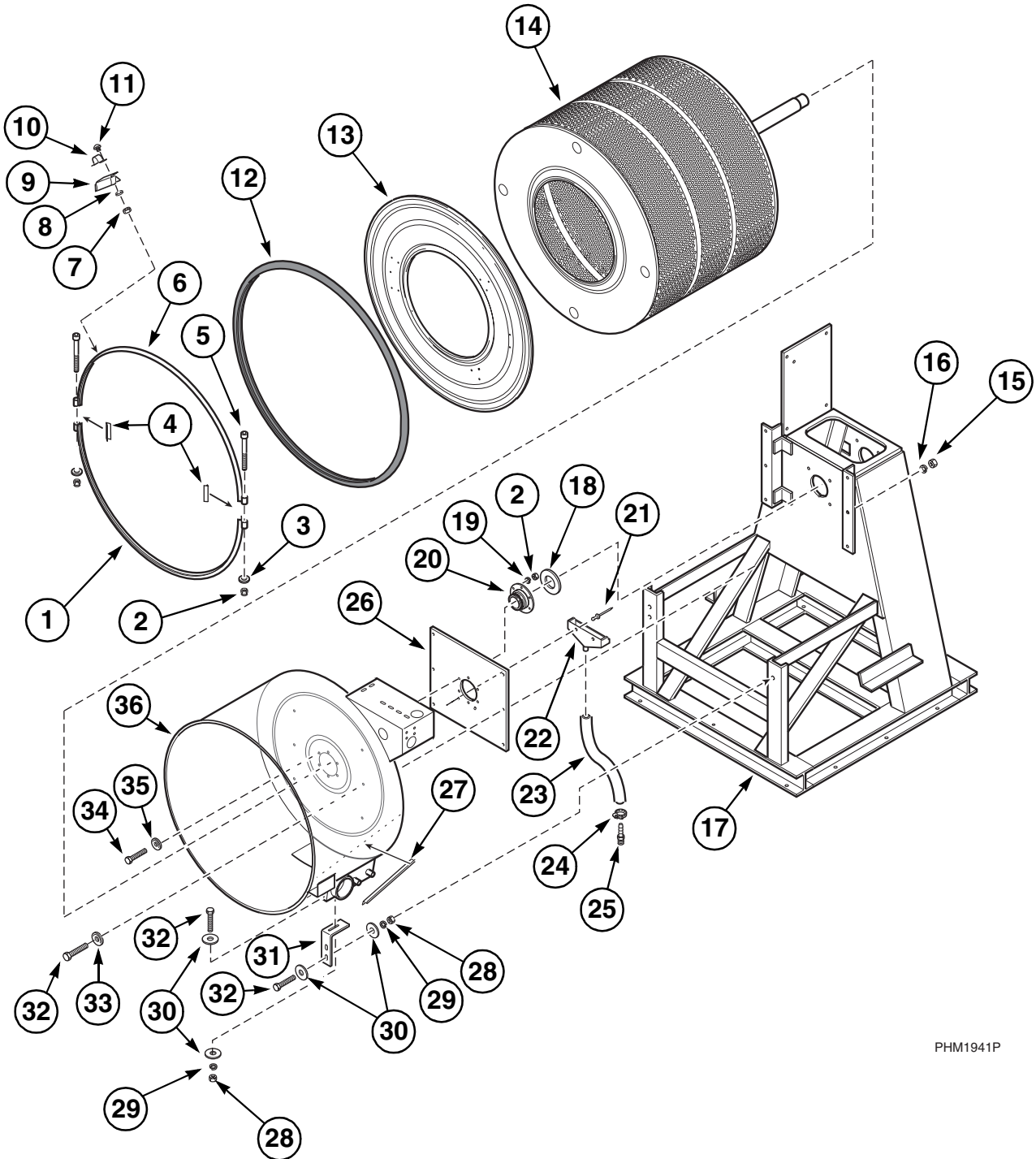


U060PE3B

Door Lock

REF	PART #	DESCRIPTION	COMMENTS
1	F604888	Door Box Assembly	
2	F430916	Screw	
3	F431108	Washer	
4	F430916	Screw	
5	F604097	Door Extension Arm	Includes items 2, 3, 12 and 13
6	F430168	Screw	
7	F150203	Door Handle Casting	
8	F150201	Top Latch Bracket Casting	
9	F602058	Door Latch Shim	
10	F431100	Lockwasher	
11	F431026	Nut	
12	F430231	Nut	
13	F601639	Extension Arm Tab	
14	F431125	Washer	
15	F430231	Locknut	
16	F150204	Lower Door Latch Casting	
17	F150202	Lower Door Latch Bracket Casting	
18	F430231	Nut	
19	F431100	Lockwasher	
20	F746806	Door Box Mounting Plate Kit	
21	F430231	Locknut	
22	F340702	Magnetic Position Switch	
23	F140712	Connector	
24	F431142	Washer	
25	F340906	Door Interlock Switch	CE models only
	F340900	Door Interlock Switch	All other models
26	F330217	RC Network Filter	
27	F430917	Screw	
28	F607202	Door Box	
29	F430956	Screw	
30	F430996	Screw	
31	F300118	Door Lock Solenoid	120 Volt
	F300129	Door Lock Solenoid	220 Volt
32	F430909	Screw	
33	F609822	Push Handle Spacer	
34	F340703	Magnet	
35	F430995	Screw	

Basket, Shell and Frame

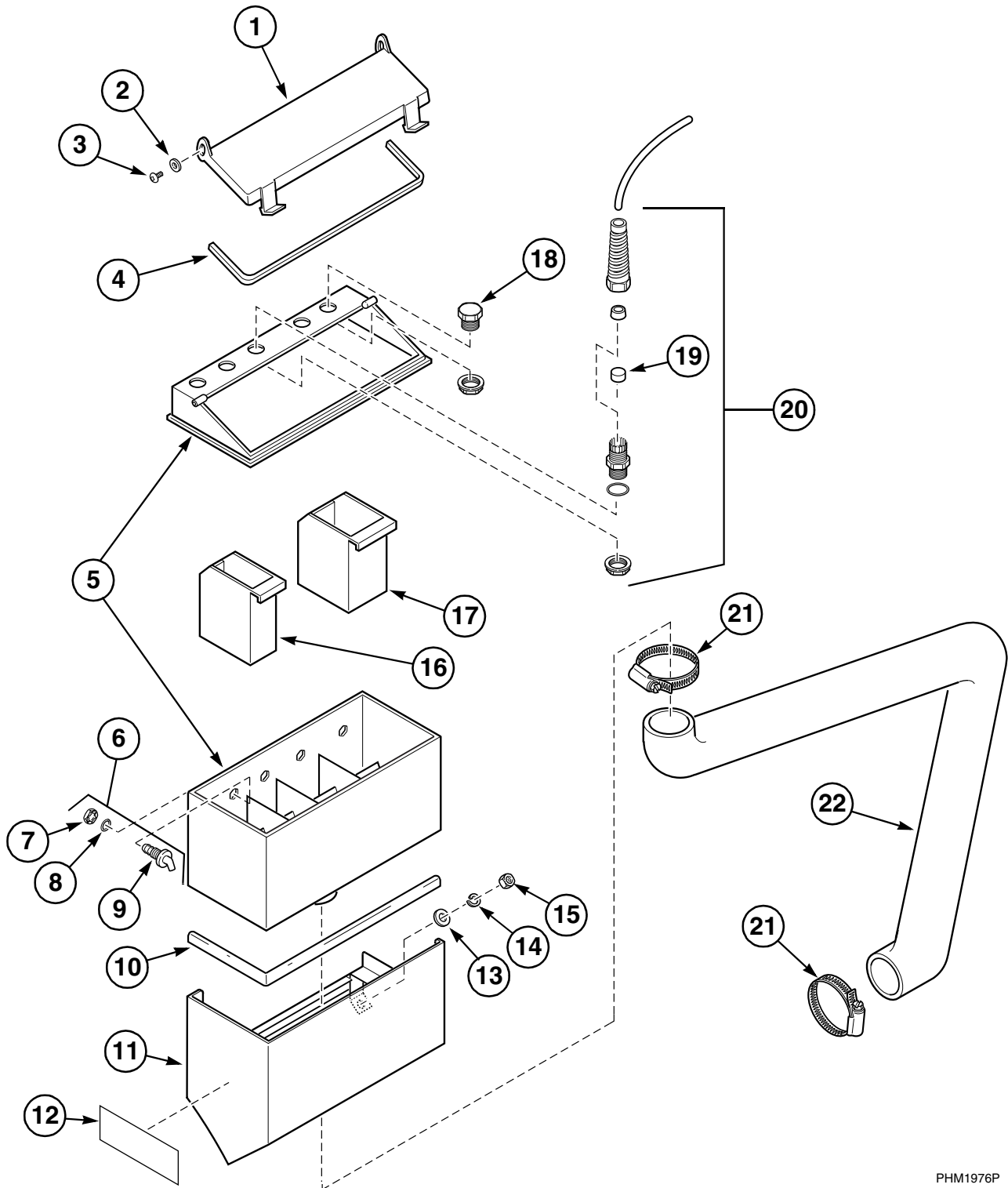


PHM1941P

Basket, Shell and Frame

REF	PART #	DESCRIPTION	COMMENTS
1	F603911	Shell Band Assembly	Bottom
2	F430211	Nut	
3	F430317	Washer	
4	F601216	Shell Gasket Shield	
5	F430500	Screw	
6	F603910	Shell Band Assembly	Top
7	F431022	Nut	
8	F431113	Lockwasher	
9	F602901	Spray Rinse Bracket Assembly	
10	F602880	Spray Rinse Strap	
11	F430917	Screw	
12	F170120	Shell Band Gasket	Order 11 feet
13	F609191	Shell Front Weldment	
	F604223	Shell Front Assembly	Includes items 9, 10, 11, 15, 16, 22, 23, 24 and 25 from Page 21 and items 8, 9 and 17 from page 23
14	F632403	Basket Assembly	UW80PV
	F630764	Basket Assembly	UW100PV
15	F430212	Nut	
16	F430321	Lockwasher	
17		Frame Assembly	Contact factory with model and serial number
18	F100204	Slinger	
19	F430322	Lockwasher	
20	F0100299-00	Seal	Cartridge style
	F798827-00	Seal Kit	
21	F431210	Rivet	
22	F150389	Scupper	
23	F200107	Hose	
24	36801	Clamp	#6
25	F421929	Hose Barb	
26	F741600	Shell Reinforcement Plate Kit	
27	F150364	Drip Rail	
28	F430205	Nut	
29	F430305	Lockwasher	
30	F430301	Washer	
31	F601806	Shell Mounting Bracket	
32	F430924	Screw	
33	F431116	Sealing Washer	
34	F430913	Screw	
35	F431112	Sealing Washer	
36	F634471	Shell Assembly	UW80PV; 4-1/2 inch sump; Standard
	F634471-1	Shell Assembly	UW80PV; 4-1/2 inch sump; Starch
	F632397-1	Shell Assembly	UW80PV; 10-1/2 inch sump; Electric heat
	F632397-3	Shell Assembly	UW80PV; 10-1/2 inch sump; Electric heat with starch
	F634495	Shell Assembly	UW100PV; 4-1/2 inch sump; Standard
	F634495-1	Shell Assembly	UW100PV; 4-1/2 inch sump; Starch
	F630760-1	Shell Assembly	UW100PV; 10-1/2 inch sump; Electric heat

Supply Dispenser



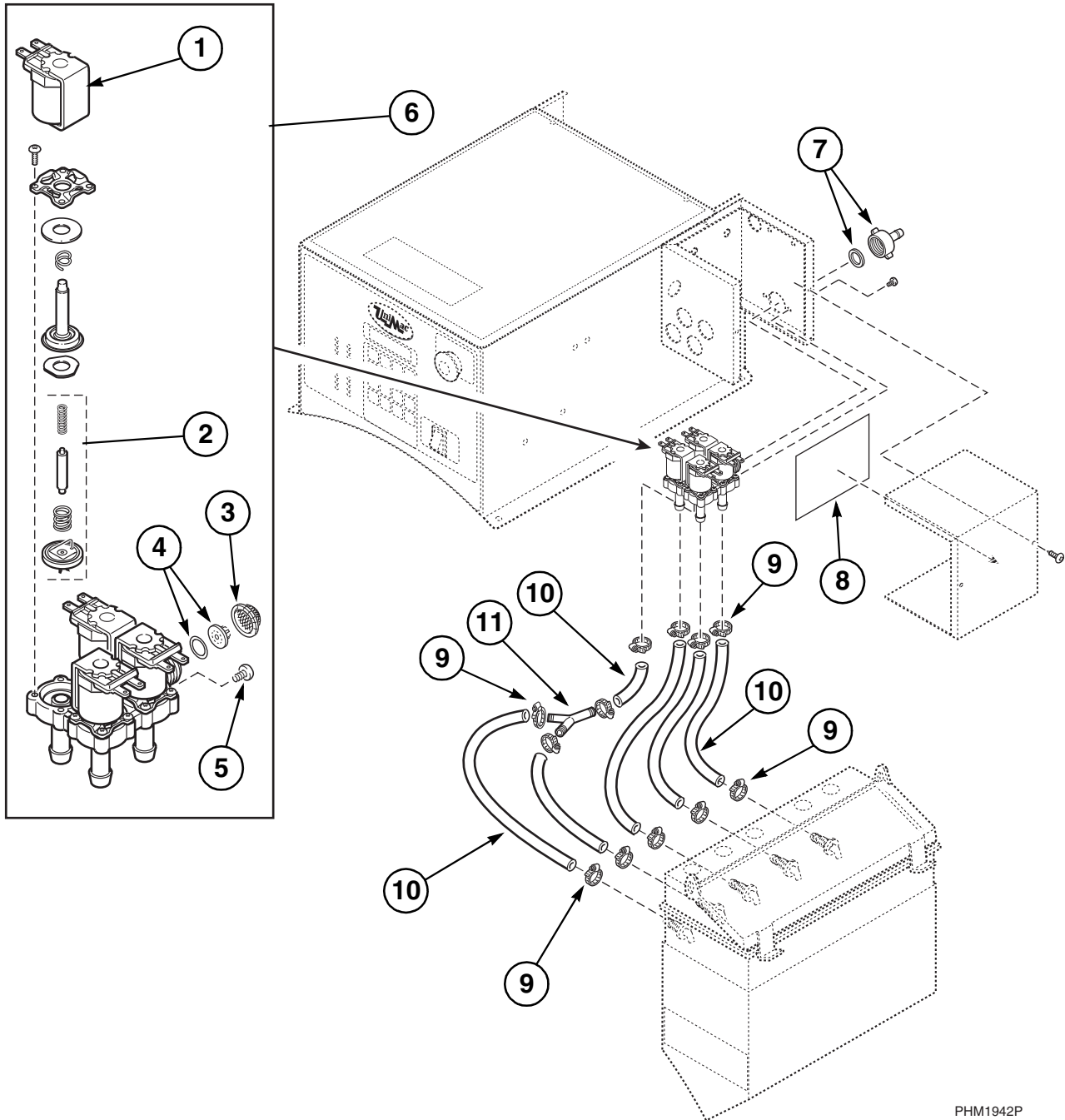
PHM1976P

Supply Dispenser

REF	PART #	DESCRIPTION	COMMENTS
1	F150384	Dispenser Lid	
2	F431133	Washer	
3	F430917	Screw	
4	F170158	Dispenser Lid Gasket	Order 4 feet
5	F150500	Soap Dispenser Assembly	Includes items 16, 17
6	F730168	Injection Nozzle Kit	Includes items 7, 8 and 9
7	F430224	Nut	
8	F170208	O-Ring	
9	F380300	Injection Nozzle	
10	F170400	Trim	Order 4 feet
11	F633032-2	Dispenser Shroud Weldment	
12	F231020	Decal	Polypropylene dispenser
13	F431147	Washer	
14	F431100	Lockwasher	
15	F431005	Nut	
16	F150385	Supply Cup	20 ounce
17	F150386	Supply Cup	32 ounce
18	F190304	Plug Cap	
19	F170165	Plug	
20	F749802	Strain Relief Adapter Kit	
21	F200213	Clamp	#40
22	F150471	Chemical Supply Hose	UW80PV
	F150470	Chemical Supply Hose	UW100PV

Water Supply Valve and Hoses to Supply Dispenser

With Mueller Valves



PHM1942P

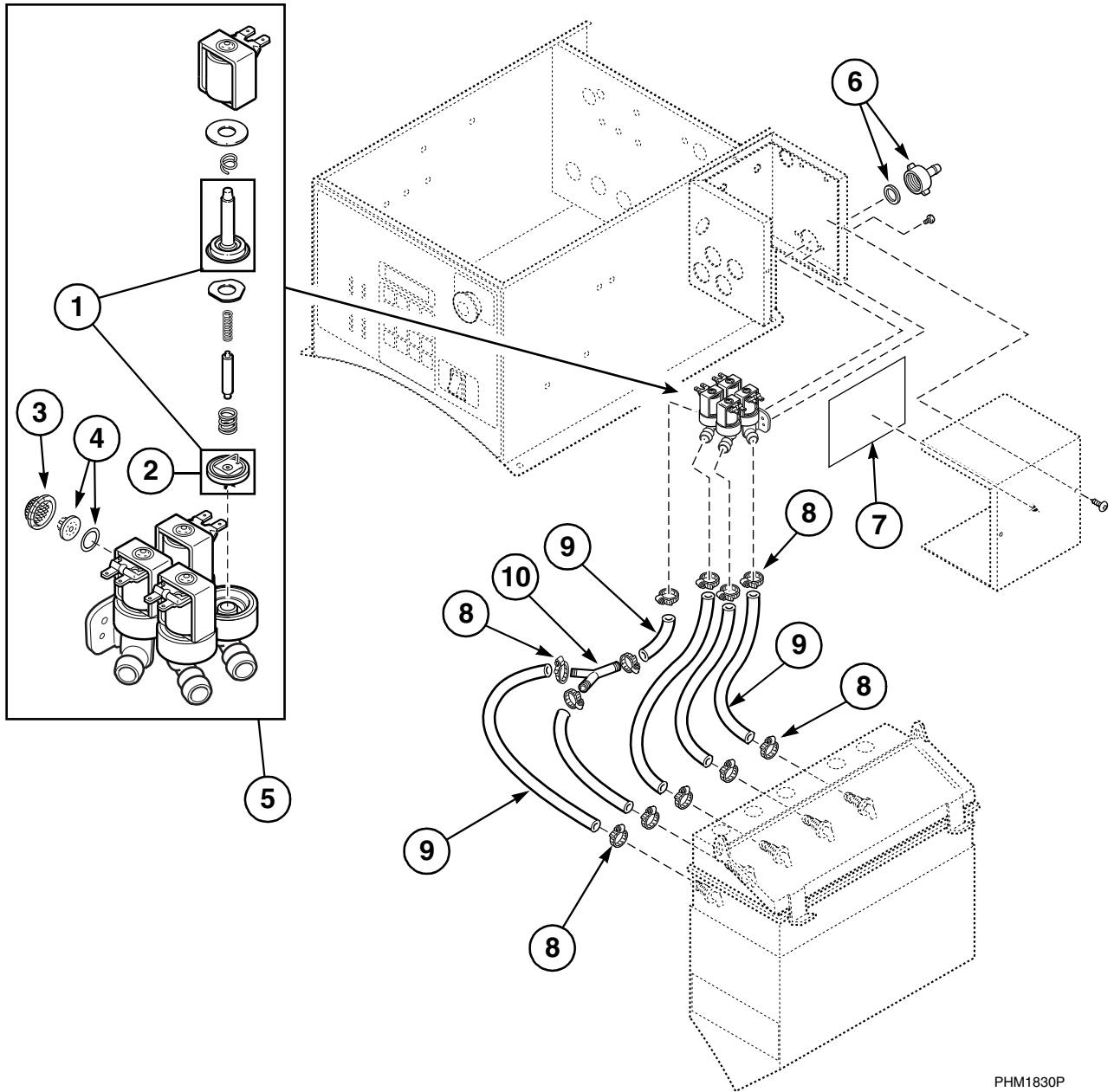
Water Supply Valve and Hoses to Supply Dispenser

With Mueller Valves

REF	PART #	DESCRIPTION	COMMENTS
1	F380900	Coil	120 Volt
	F380917	Coil	220 Volt
2	F380938	4-Way Valve Repair Kit	10mm
3	F270200	Strainer	
4	F380106	Flow Restrictor	8 liter
5	F430948	Screw	
6	F380715	4-Way Supply Valve	120 Volt
	F380725	4-Way Supply Valve	220 Volt
7	F200302	Hot Water Hose Connector	
8	F230754	Decal	Water valve assembly
9	36801	Clamp	#6
10	F200110	Hose	Order 8 feet
11	F422816	"Y" Connector	

Water Supply Valve and Hoses to Supply Dispenser

With Elbi Valves



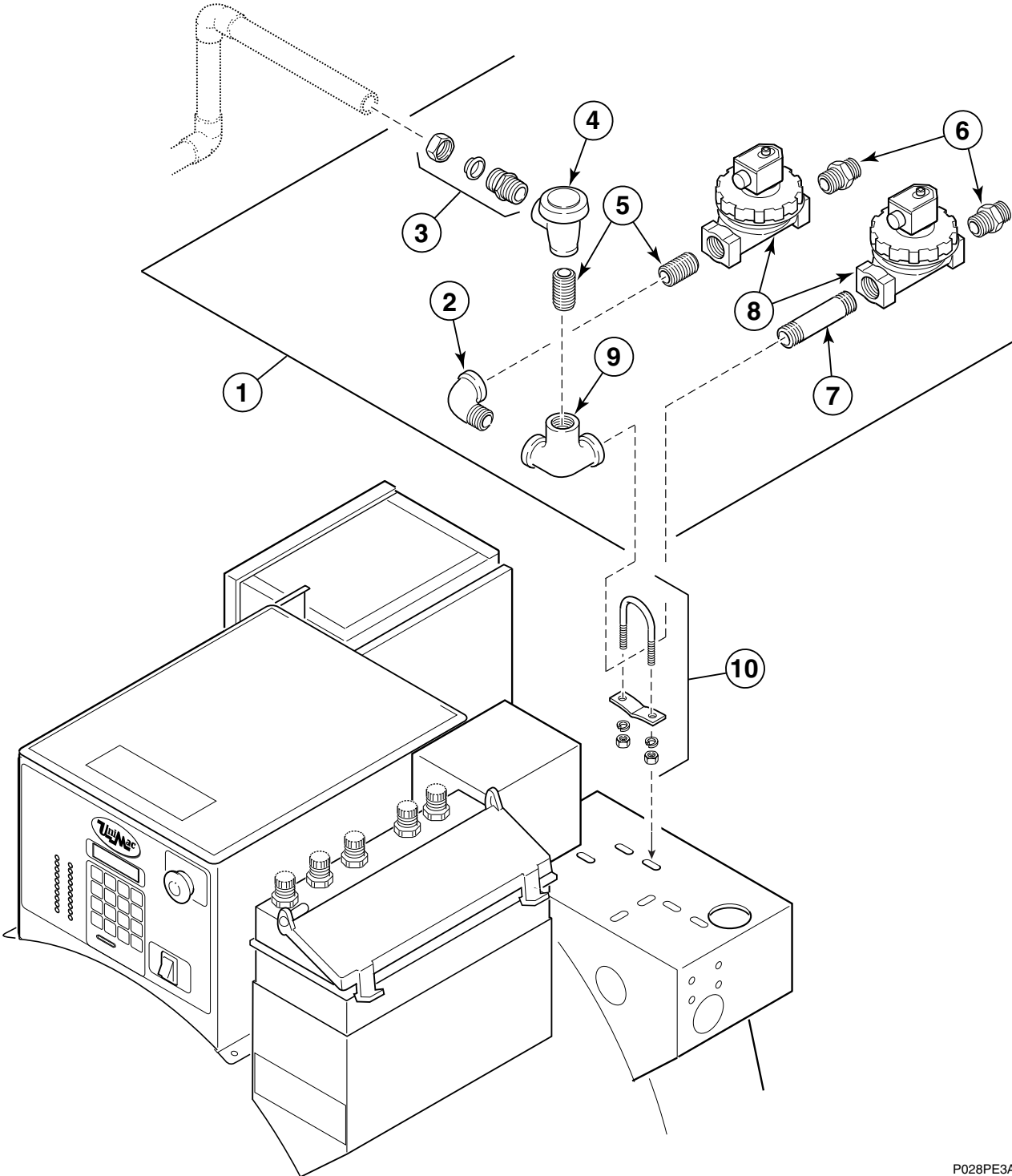
PHM1830P

Water Supply Valve and Hoses to Supply Dispenser

With Elbi Valves

REF	PART #	DESCRIPTION	COMMENTS
1	G581P3	Diaphragm and Guide Kit	
2	G300202	Diaphragm	
3	F270200	Strainer	
4	F380106	Flow Restrictor	8 liter
5	F381724	4-Way Supply Valve	120 Volt
	F381723	4-Way Supply Valve	220 Volt
6	F200302	Hot Water Hose Connector	
7	F230754	Decal	Water Valve Assembly
8	36801	Clamp	#6
9	F200110	Hose	13 feet
10	F422816	"Y" Connector	

Spray Plumbing Assembly

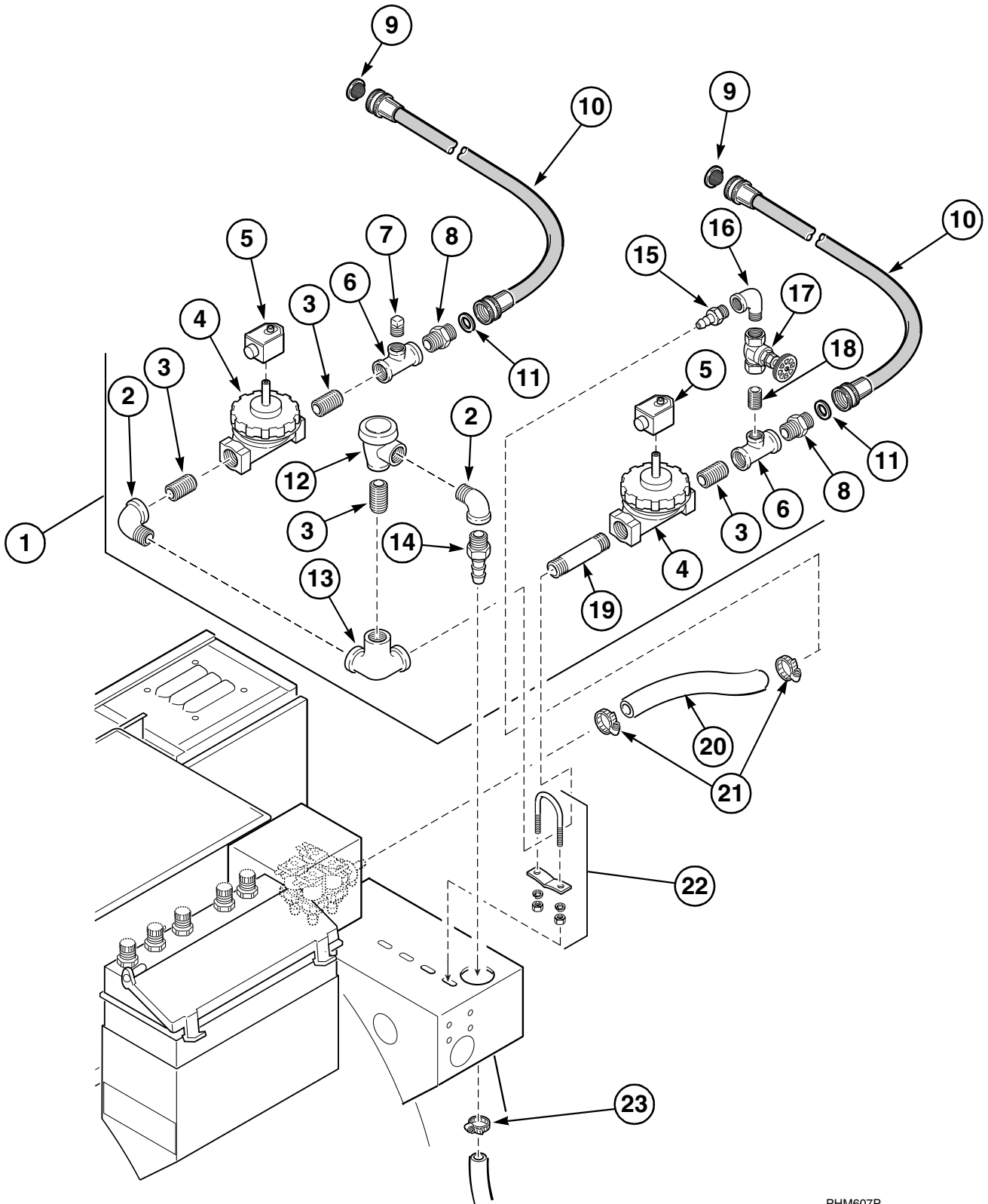


P028PE3A

Spray Plumbing Assembly

REF	PART #	DESCRIPTION	COMMENTS
1	F633151	Spray Plumbing Assembly	120 Volt
	F633151-1	Spray Plumbing Assembly	220 Volt
	F633151-4	Spray Plumbing Assembly	120 Volt; Metric
	F633151-5	Spray Plumbing Assembly	220 Volt; Metric
2	F420502	Elbow	
3	F422106	Connector	
4	F380800	Vacuum Breaker Valve	3/4 inch
	F380965	Vacuum Breaker Valve Repair Kit	3/4 inch
5	F420105	Nipple	
6	F421909	Adapter	Standard thread
	F421306	Adapter	Metric thread
7	F420107	Nipple	
8	F381700	Valve	3/4 inch; 120 Volt; With DIN
	F380986	Coil	120 Volt
	F381701	Valve	3/4 inch; 220 Volt; With DIN
	F380987	Coil	220 Volt
	F380991	Valve Repair Kit	3/4 inch
9	F420509	Elbow	
10	F200401	U-Bolt Clamp	#5; Includes hardware

Fill Plumbing Assembly

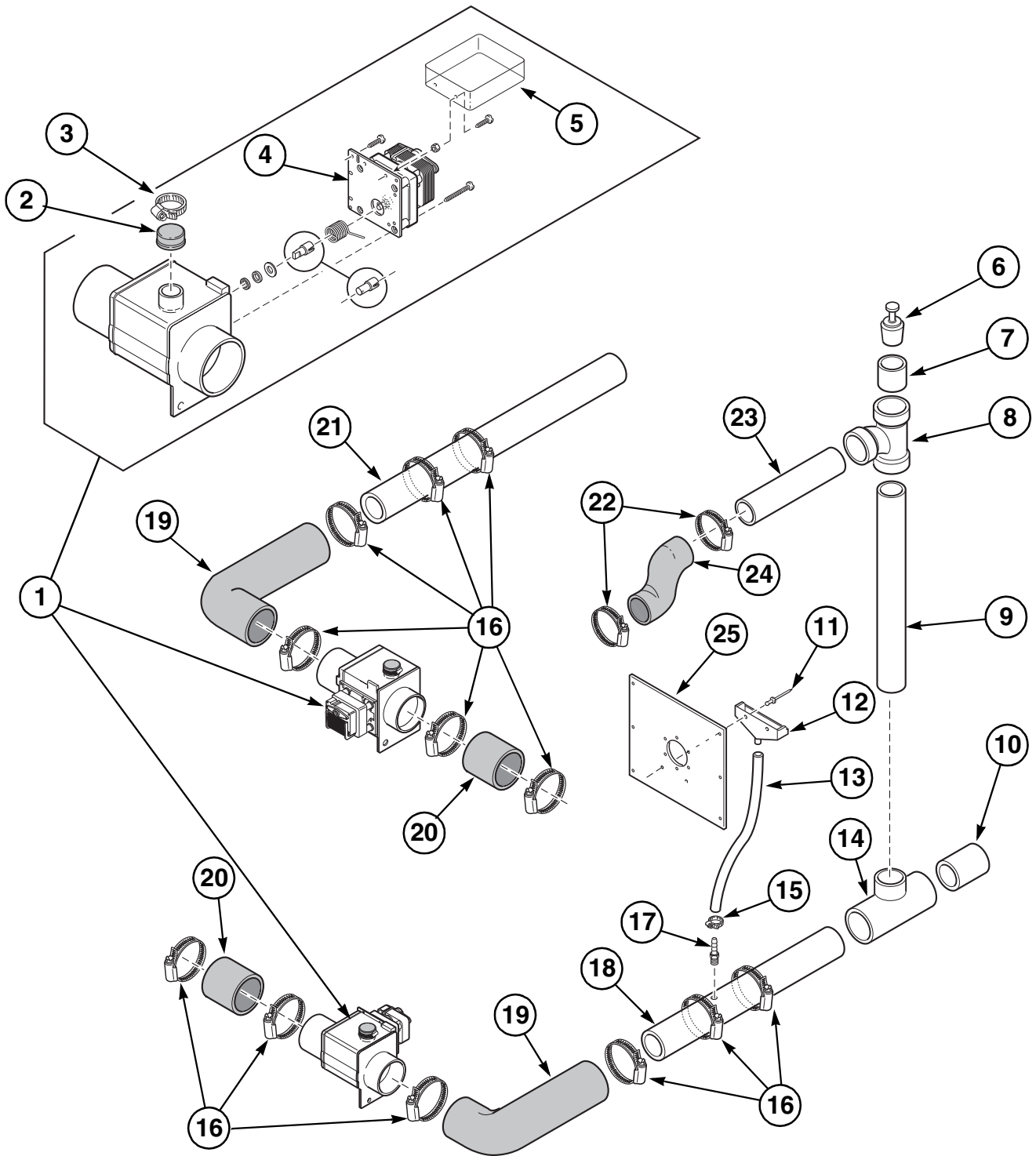


PHM607P

Fill Plumbing Assembly

REF	PART #	DESCRIPTION	COMMENTS
1	F633146	Fill Plumbing Assembly	120 Volt
	F633146-1	Fill Plumbing Assembly	220 Volt
	F633419-1	Fill Plumbing Assembly	220 Volt; Starch
	F633146-4	Fill Plumbing Assembly	120 Volt; Metric
	F633146-5	Fill Plumbing Assembly	220 Volt; Metric
	F633419-5	Fill Plumbing Assembly	220 Volt; Metric; Starch
2	F420502	Elbow	
3	F420105	Nipple	
4	F381700	Fill Valve	3/4 inch; 120 Volt; Repair kit part number F380991
	F381701	Fill Valve	3/4 inch; 220 Volt; Repair kit part number F380991
5	F380986	Solenoid	120 Volt
	F380987	Solenoid	220 Volt
6	F420400	Tee	
7	F420408	Plug	
8	F421909	Hose Adapter	Standard thread
	F421306	Hose Adapter	Metric thread
9	F270300	Filter Screen	
10	F200164	Water Supply Hose	Standard thread
	F200166	Water Supply Hose	Metric thread
11	F200500	Washer	
12	F380800	Vacuum Breaker	
	F380965	Valve Repair Kit	3/4 inch
13	F420509	Elbow	
14	F421951	Hose Barb	
15	F421903	Adapter	
16	F420500	Street Elbow	
17	F380500	Gate Valve	1/2 inch
18	F420101	Nipple	
19	F420107	Nipple	
20	F605793	Fill Tube	
21	F200206	Clamp	#4
22	F200401	U-Bolt Clamp	
23	F200222	Clamp	#12

Drain System, Overflow and Vent Pipes

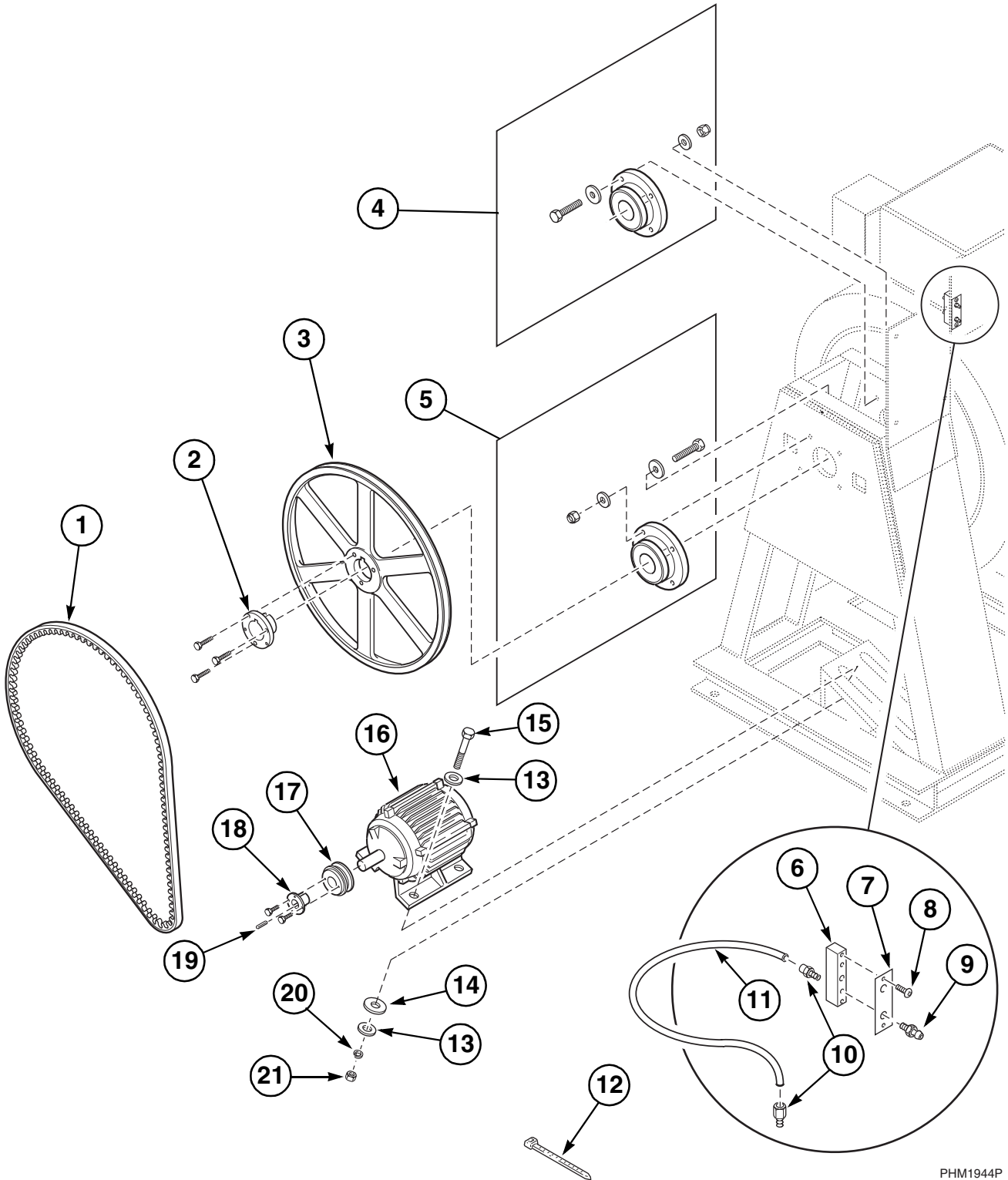


PHM1943P

Drain System, Overflow and Vent Pipes

REF	PART #	DESCRIPTION	COMMENTS
1	F380628	Drain Valve	120 Volt
	F380629	Drain Valve	220 Volt
2	F150352	Overflow Plug	
3	F200215	Hose Clamp	#28
4	F380932	Drain Valve Motor	120 Volt; Keyed shaft
	F380933	Drain Valve Motor	220 Volt; Keyed shaft
5	F380946	Drain Cover	
6	F380117	Vacuum Breaker	
7	F422508	Adapter	
8	F422801	Tee	
9	F610824	Pipe	
10	F602365-9	Pipe	UW80PV
	F602365-7	Pipe	UW100PV
11	F431210	Rivet	
12	F150389	Scupper	
13	F200107	Hose	Order 3 feet
14	F422803	Tee	
15	36801	Hose Clamp	#8
16	F200201	Hose Clamp	#56
17	F421929	Hose Barb	
18	F610778	Pipe	UW80PV
	F602365-8	Pipe	UW100PV
19	F150437	Drain Hose	Rear
20	F150442	Drain Hose	Front
21	F610039	Pipe	
22	F200213	Hose Clamp	#40
23	F602365-14	Pipe	
24	F150309	Hose	
25	F741600	Shell Reinforcement Plate Kit	Includes items 11, 12, 13, 15 and 17

Motor, Pulley and Bearing Assemblies

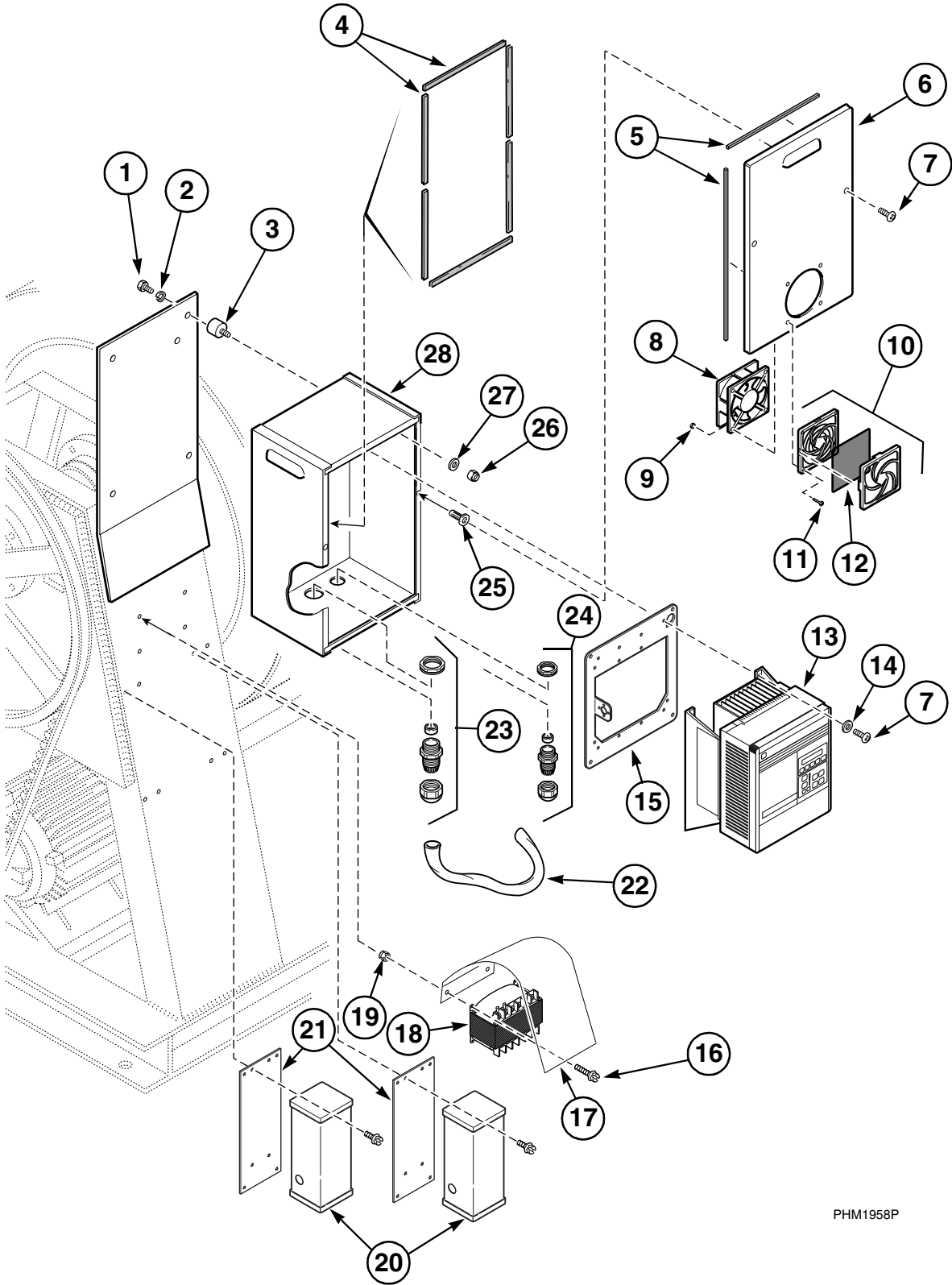


PHM1944P

Motor, Pulley and Bearing Assemblies

REF	PART #	DESCRIPTION	COMMENTS
1	F280355	Belt	BX108; 2 required
2	F280294	Bushing	Includes screws and key; 2-7/16 inch
3	F280412	Pulley	2B305F
4	F798831-00	Front Bearing Kit	Includes seal and hardware
5	F745006	Rear Bearing Kit	Includes seal and hardware
6	F320326	Grease Manifold	
7	F230745	Decal	Lubrication instructions
8	F430925	Screw	
9	F190701	Grease Fitting	
10	F422101	Coupling	
11	F200190	Tubing	
12	F140605	Cable Tie	6 inch
13	F430301	Washer	
14	F430300	Washer	
15	F430993	Screw	
16	F220216M	Motor	195/390 Volt; Used until 1/14/99
	F220237	Motor	195/390 Volt; Used after 1/14/99
17	F280181	Pulley	2BK34H
18	F280242	Motor Bushing	Includes screws and item 21; H - 1-3/8
19	F430817	Key	
20	F430305	Lockwasher	
21	F430205	Nut	

AC Drive

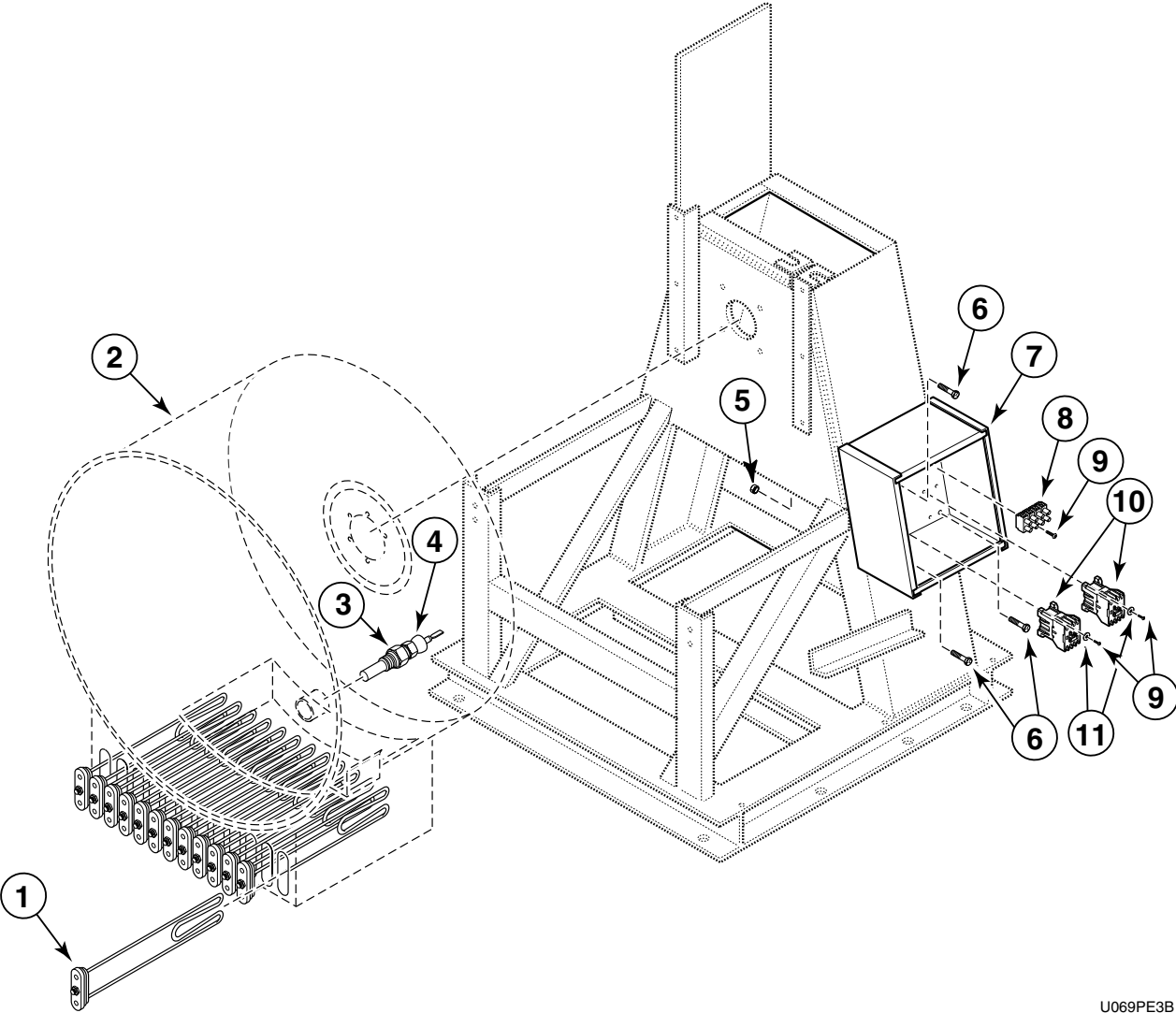


PHM1958P

AC Drive

REF	PART #	DESCRIPTION	COMMENTS
	F632287	AC Drive Box Assembly	Includes items 3, 6, 8, 10, 15, 23, 24 and 28
15	F632290	AC Adapter Plate Assembly	
1	F430935	Screw	
2	F431100	Lockwasher	
3	F432219	Sandwich Mount	
4	F170152	Gasket	Order 4 feet
5	F170402	Gasket	
6	F632288	AC Drive Box Cover	
7	F430935	Screw	
8	F110106	Muffin Fan	120 Volt
	F110105	Muffin Fan	220 Volt
9	F430231	Locknut	
10	F220900	Filter Retainer Guard	
11	F430916	Screw	
12	F0270321-00P	Filter	
13	F370838	AC Drive	200 Volt; UW80PV; Used from 9/18/97 until 9/28/99
	F370838	AC Drive	200 Volt; UW100PV; Used from 7/24/97 until 9/28/99
	F370853	AC Drive	200 Volt; UW80PV; Used from 9/29/99 until present
	F370853	AC Drive	200 Volt; UW100PV; Used from 9/29/99 until present
	F370835	AC Drive	400 Volt; UW80PV; Used from 9/18/97 until 8/9/98
	F370835	AC Drive	400 Volt; UW100PV; Used from 7/24/97 until 8/9/98
	F370818	AC Drive	400 Volt; UW80PV; Used from 8/10/98 until 9/28/99
	F370818	AC Drive	400 Volt; UW100PV; Used from 8/10/98 until 9/28/99
	F370854	AC Drive	400 Volt; UW80PV; Used from 9/29/99 until present
	F370854	AC Drive	400 Volt; UW100PV; Used from 9/29/99 until present
14	F430322	Lockwasher	
16	F430193	Screw	
17	F140433	Transformer Cover	
18	F360125	Transformer	250 VA/120 V sec
19	F430220	Nut	
20	F360140	Buckboost Transformer	N-voltage models only
21	F631276	Buckboost Adapter Plate	
22	F140904	Tubing	
23	F140224	Strain Relief Connector	PG29
24	F140331	Strain Relief Connector	PG21
25	F432212	Rivnut	
26	F430215	Locknut	
27	F430317	Washer	
28	F633755	AC Drive Box Weldment	

Electric Heat Option

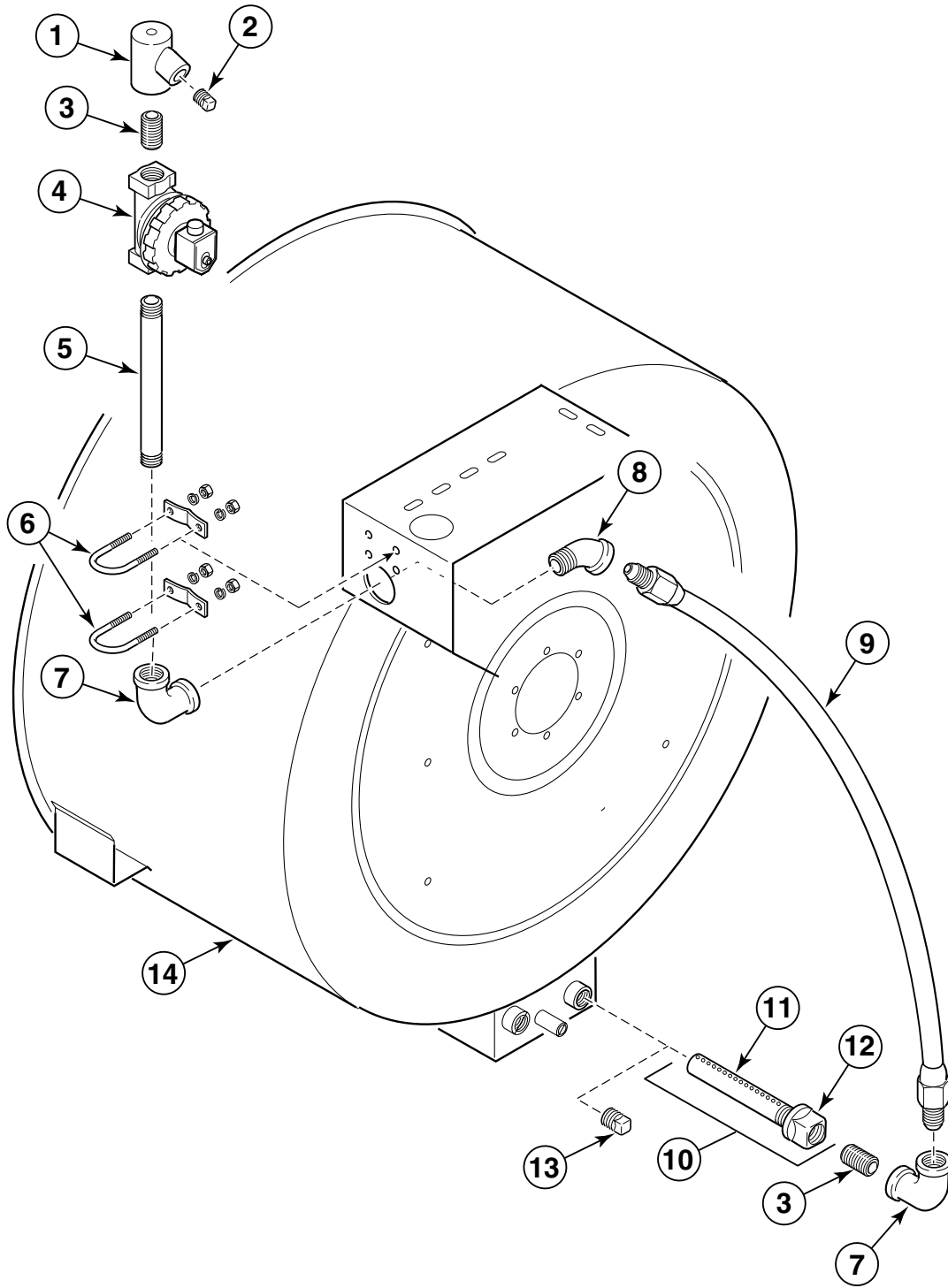


U069PE3B

Electric Heat Option

REF	PART #	DESCRIPTION	COMMENTS
1	F360203	Heating Element	220 Volt; 9 used
2	F632397-1	Shell Assembly	UW80PV
	F630760-1	Shell Assembly	UW100PV
3	F421936	Reducer Bushing	
4	F370606	Temperature Probe	
5	F430215	Locknut	
6	F430938	Screw	
7	F140413	Electrical Box	
8	F140746	Power Input Block	
9	F430107	Screw	
10	F330187	Contactactor	120 Volt
	F330188	Contactactor	220 Volt
11	F430311	Washer	

Steam Heat Option



U070Pe3a

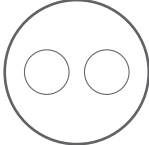




Steam Heat Option

REF	PART #	DESCRIPTION	COMMENTS
	F633413-1	Steam Plumbing Assembly	120 Volt
	F633413-3	Steam Plumbing Assembly	220 Volt
1	F270307	Steam Filter	1/2 inch
2	F420409	Plug	
3	F420101	Nipple	
4	F380786	Parker Steam Valve	120 Volt; Repair kit part no. F380984
	F380787	Parker Steam Valve	220 Volt; Repair kit part no. F380984
5	F420719	Nipple	
6	F200401	U-Bolt Clamp	#5; Includes hardware
7	F420501	Elbow	
8	F421108	Elbow	
9	F200197	Steam Hose	Includes fitting
10	F603131	Steam Injection Tube Assembly	
11	F603048	Steam Injection Tube	
12	F421400	Bushing	
13	F603134	Plug	
14	F634471	Shell Assembly	UW80PV
	F634495	Shell Assembly	UW100PV

Security Fasteners

The parts associated with the security fastener option on UW washer-extractors are as follows.

Please note that if your washer-extractor has been equipped with the security option, it may contain the screws listed in either option listed below. Please check the head type and head illustration to confirm the security screw that is in use.

Security Fastener Option One					
Standard Screw Part Number	Security Screw Part Number	Security Bit Part Number	Typical Location	Screw Size	Head Type/ Illustration
F430996	F0430273-00	F704907	Door Box to Bracket	1/4 inch - 20 x 2-1/2 inch	 PHM1959P 1/4 inch Spanner
F430921	F0430272-00	F704907	Side Panel to Bracket	1/4 inch - 20 x 1-1/2 inch	
F430925	F0430274-00	F704907	Drive Box or Cover	1/4 inch - 20 x 1/2 inch	
F430956	F0430275-00	F704906	Side Panels and Module Cover	#8 - 32 x 1/2 inch	 PHM1960P 1/8 inch Hex
F430904	F430960	F704906	Module to Shell	#10 - 32 x 3/8 inch	
Security Fastener Option Two					
Standard Screw Part Number	Security Screw Part Number	Security Bit Part Number	Typical Location	Screw Size	Head Type/ Illustration
F430996	F432260	F704904	Door Box to Bracket	1/4 inch - 20 x 2-1/2 inch	 PHM1961P #3 Phillips
F430925	F430959	F704897	Drive Box or Cover	1/4 inch - 20 x 1/2 inch	 PHM1960P 5/32 inch Hex
F430956	F432259	281P4	Side Panels and Module Cover	#8 - 32 x 1/2 inch	 PHM1962P T-15 Torx

Parts Index

A

AC Adapter Plate Assembly	
F632290	41
AC Drive	
F370818	41
F370835	41
F370838	41
F370853	41
F370854	41
AC Drive Box Assembly	
F632287	41
AC Drive Box Cover	
F632288	41
AC Drive Box Weldment	
F633755	41
Adapter	
F421306	33
F421903	35
F421909	33
F422508	37
Air Trap	
F200163	15

B

Balance Bolt	
F0430539-00	17
Balance Switch Bracket	
F601750	17
Basket Assembly	
F630764	25
F632403	25
Battery	
F191101	7
Belt	
F280355	39
Buckboost Adapter Plate	
F631276	41
Buckboost Transformer	
F360140	41
Bushing	
F280294	39
F421400	45
Buzzer	
F300203	15
F300206	15

C

Cable Tie	
F140605	39
Cage Wrap Assembly	
F632408	19
F633394	19
Cap Nut	
F431026	21
Chemical Supply Hose	
F150470	27

F150471	27
Circuit Breaker	
F350211	11
Clamp	
F140602	7
F200206	35
F200215	15
F200222	35
36801	25, 29, 31
Coil	
F380900	29
F380917	29
F380986	33
F380987	33
Computer Cover	
F606826	7
Conduit Connector	
F140305	13
Connector	
F140309	13
F140712	23
F422106	33
Contact Block Switch	
F340445	7
Contacto	
F330187	9, 43
F330188	9, 43
Control Module Top	
F634558	7
Control Mounting Panel Assembly	
F608385	7
Coupling	
F422101	39

D

Decal	
F230206	5, 7
F230301	5
F230302	5, 19
F230303	21
F230606	15
F230630	13
F230652	5, 21
F230677	13
F230721	7
F230724	7
F230745	39
F230754	29, 31
F230764-3	5, 15
F230764-6	5, 15
F231020	27
F231065	5, 11
F231083	7
F231367	5
F231368	5
F231380	5
F231436	5
F231560	11
Diaphragm	
G300202	31

Diaphragm and Guide Kit G581P3	31
Dispenser Lid F150384	27
Dispenser Lid Gasket F170158	27
Dispenser Shroud Weldment F633032-2	27
Door F730307	21
Door Box F607202	23
Door Box Assembly F604888	23
Door Box Mounting Plate Kit F746806	23
Door Bumper Bushing F430416	21
Door Bumper Moulding F150366	21
Door Butt Door Butt F15021021	21
Door Butt Shim F610695	21
Door Extension Arm F604097	23
Door Gasket F170145	21
Door Glass Gasket F170117	21
Door Glass Retainer F601239	21
Door Handle Casting F150203	23
Door Hinge Pin F601815	21
Door Hinge Strap F150209	21
Door Interlock Switch F340900	23
F340906	23
Door Kit F730540	21
Door Latch Shim F602058	23
Door Lock Solenoid F300118	23
F300129	23
Double Pole Key Switch Kit F730186	11
Drain Cover F380946	37
Drain Hose F150437	37
F150442	37
Drain Valve F380628	37
F380629	37
Drain Valve Motor F380932	37
F380933	37
Drip Rail F150364	25

Dual Fuseholder F0350312-00	15
--------------------------------------	----

E

Elbow F420501	45
F420502	33, 35
F420509	33, 35
F421108	45
F422319	21
Electrical Box F140413	43
Emergency Stop Pushbutton F340718	7
Extension Arm Tab F601639	23
External Supply Box F633434	7
External Supply Box Cover F633435	7
Extrusion Insert F150397	19

F

Feed-thru Connector F140575	11
F140576	11
Fiber Optic Cable F604713	11
Fill Plumbing Assembly F633146	35
F633146-1	35
F633146-4	35
F633146-5	35
F633419-1	35
F633419-5	35
Fill Tube Assembly F605793	35
Fill Valve F381700	35
F381701	35
Filter F0270321-00P	41
Filter Retainer Guard F220900	41
Filter Screen F270300	35
Flange Relay F330227	9
F330230	9
Flat Ribbon Cable F140218	7
F140219	7
F140223	7
Flow Restrictor F380106	29, 31
4-Way Supply Valve F380715	29
F380725	29
F381723	31
F381724	31

4-Way Valve Repair Kit F380938	29
Front Bearing Kit F798831-00	39
Front Panel F630502	19
Fuse	
F350108	9
F350109	9
F350115	9, 11, 15
F350133	9
Fuse Board Cover F140421	9
Fuse Holder F350304	11

G

Gasket	
F170152	41
F170402	41
Gate Valve F380500	35
Glass F290200	21
Grease Fitting F190701	39
Grease Manifold F320326	39
Ground Lug F140734	13

H

Heating Element F360203	43
Hose	
F150309	37
F200107	25, 37
F200110	29, 31
Hose Adapter F421306	35
F421909	35
Hose Barb	
F421929	25, 37
F421951	35
Hose Clamp	
F200201	37
F200213	27, 37
F200215	37
36801	37
Hot Water Hose Connector F200302	29, 31

I

Injection Nozzle F380300	27
Injection Nozzle Kit F730168	27

Input Power Terminal Block F140782	13
Insulator Bushing F140909	13, 15
Interface Board F370446-1	9

J

Jumper Kit F784003	9
-----------------------------	---

K

Key F430817	39
----------------------	----

L

Locknut	
F430215	19, 41, 43
F430231	7, 9, 23, 41
Lockwasher	
F430305	11, 17, 25, 39
F430321	25
F430322	25, 41
F431100	19, 21, 23, 27, 41
F431108	7, 9, 13
F431113	7, 9, 15, 25
Lower Door Latch Bracket Casting F150202	23
Lower Door Latch Casting F150204	23

M

Magnet F340703	23
Magnetic Position Switch F340702	23
Momentary Switch F340412	7
Motor	
F220216M	39
F220237	39
Motor Bushing F280242	39
Muffin Fan	
F110105	41
F110106	41

N

Nipple	
F420101	35, 45
F420105	33, 35
F420107	33, 35
F420719	45

Nut	
F430205	17, 25, 39
F430206	17
F430211	19, 25
F430212	25
F430220	41
F430224	27
F430231	11, 23
F430264	19
F431000	7
F431005	27
F431006	13
F431017	15
F431022	7, 9, 13, 15, 21, 25
F431026	23
F431804	19
Nylon Plug	
F140527	13

O

O-Ring	
F170200	21
F170208	27
F170215	27
Overflow Plug	
F150352	37

P

Parker Steam Valve	
F380786	45
F380787	45
Pin	
F430415	19
Pipe	
F602365-14	37
F602365-7	37
F602365-8	37
F602365-9	37
F610039	37
F610778	37
F610824	37
Plastic Connector	
F422500	15
Plate	
F230200	21
F230218	5
Plug	
F170165	27
F420408	35
F420409	45
F603134	45
Plug Cap	
F190304	27
Power Input Block	
F140746	43
Program Key	
F370709	11
Pulley	
F280181	39
F280412	39
Push Handle Kit	
F746202-1	21

Push Handle Spacer	
F609822	23
PVC Tubing	
F422404	15

R

RC Network Filter	
F330217	7, 9, 23
Rear Bearing Kit	
F745006	39
Rear Panel	
F633184	19
Reducer Bushing	
F421936	43
Resistor Assembly	
F610765	15
Retainer Ring	
F310206	21
Ribbon Cable	
F140218	9
F140219	9
F140223	9
Rivet	
F431210	21, 25, 37
Rivnut	
F432212	41
Rub Rail	
F150409	19

S

Sandwich Mount	
F432219	41
Screw	
F430103	21
F430107	43
F430109	17
F430168	23
F430174	7
F430193	41
F430500	25
F430502	21
F430904	7, 9, 46
F430909	23
F430913	25
F430916	23, 41
F430917	21, 23, 25, 27
F430920	15
F430921	19, 46
F430924	25
F430925	39, 46
F430928	7, 9, 11, 13, 15
F430935	41
F430938	13, 43
F430948	29
F430956	19, 23, 46
F430993	39
F430995	23
F430996	23, 46
Scupper	
F150389	25, 37
Seal	
F0100299-00	25

Seal Kit F798827-00.....	25	Spray Rinse Nozzle Kit F730077.....	21
Sealing Washer F431112.....	25	Spray Rinse Strap F602880.....	21, 25
F431116.....	25	Spray Rinse Tube Assembly F610364.....	21
Security Bit F704897.....	46	Steam Filter F270307.....	45
F704904.....	46	Steam Hose F200197.....	45
F704906.....	46	Steam Injection Tube F603048.....	45
F704907.....	46	Steam Injection Tube Assembly F603131.....	45
281P4.....	46	Steam Plumbing Assembly F633413-1.....	45
Security Screw F0430272-00.....	46	F633413-3.....	45
F0430273-00.....	46	Strain Relief Adapter Kit F749802.....	27
F0430274-00.....	46	Strain Relief Connector F140224.....	41
F0430275-00.....	46	F140331.....	41
F430959.....	46	Strainer F270200.....	29, 31
F430960.....	46	Street Elbow F420500.....	35
F432259.....	46	Supply Cup F150385.....	27
F432260.....	46	F150386.....	27
Shell Assembly F630760-1.....	25, 43	Supply Hose Strap F605324.....	19
F632397-1.....	25, 43	Switch F340900.....	17
F632397-3.....	25	F340921.....	17
F634471.....	25, 45	Switch Bracket F630242.....	15
F634471-1.....	25	Switch Extension F340924.....	17
F634495.....	25, 45	Swivel Coupling F422108.....	21
F634495-1.....	25		
Shell Band Assembly F603910.....	25		
F603911.....	25		
Shell Band Gasket F170120.....	25		
Shell Front Assembly F604223.....	21, 25		
Shell Front Weldment F609191.....	21, 25		
Shell Gasket Shield F601216.....	25		
Shell Mounting Bracket F601806.....	25		
Shell Reinforcement Plate Kit F741600.....	25, 37		
Side Panel F632390.....	19		
F632404.....	19		
Side Panel Bracket F601982.....	19		
Side Panel Cover F607262.....	19		
Slinger F100204.....	25		
Soap Dispenser Assembly F150500.....	27		
Solenoid F380986.....	35		
F380987.....	35		
Spray Plumbing Assembly F633151.....	33		
F633151-1.....	33		
F633151-4.....	33		
F633151-5.....	33		
Spray Rinse Bracket Assembly F602901.....	21, 25		
Spray Rinse Hose Kit F730024.....	21		
		T	
		Tag F230215.....	13
		F230501.....	5
		Tee F420400.....	35
		F422801.....	37
		F422803.....	37
		Temperature Probe F370606.....	17, 43
		Terminal Strip F140738.....	11, 13, 15
		Thermal Overload Light F350412.....	11
		F350414.....	11
		Tie F140605.....	7
		F140606.....	7
		Top Latch Bracket Casting F150201.....	23

Transformer	
F360125	41
Transformer Cover	
F140433	41
Tri-Level Pressure Switch	
F340317	15
Trim	
F170400	19, 27
Tubing	
F140904	41
F200190	39

U

U-Bolt Clamp	
F200401	33, 35, 45

V

Vacuum Breaker	
F380117	37
F380800	35
Vacuum Breaker Valve	
F380800	33
Vacuum Breaker Valve Repair Kit	
F380965	33
Valve	
F381700	33
F381703	33
Valve Repair Kit	
F380965	35
F380991	33

W

Washer	
F200500	35
F430300	39
F430301	17, 25, 39
F430311	43
F430317	19, 25, 41
F431108	23
F431123	7, 9
F431125	7, 23
F431133	27
F431142	23
F431147	27
Water Supply Hose	
F200164	35
F200166	35
WE-6 Microcomputer	
F370534-10	7
WE-6 Output Board	
F370443P	9
WE-6 Solid State Fuse/Relay Board	
F370441P	9

Y

“Y” Connector	
F422816	29, 31